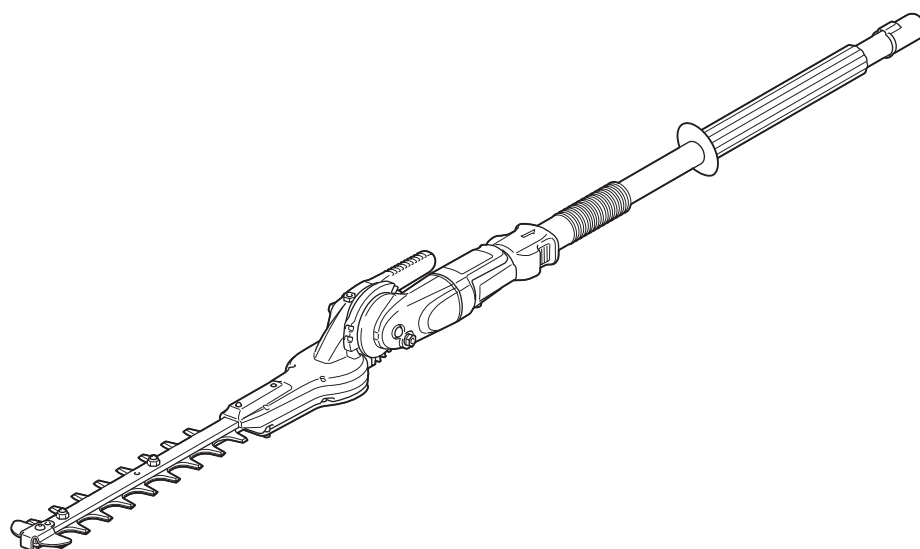




EN	Ground Trimmer Attachment	INSTRUCTION MANUAL	5
FRCA	Tête Faucheuse	MANUEL D'INSTRUCTION	10
ESMX	Accesorio de Corte a Ras de Piso	MANUAL DE INSTRUCCIONES	15
PTBR	Implemento Aparador de Grama	MANUAL DE INSTRUÇÕES	20
ID	Perangkat Tambahan Mesin Pemotong	PETUNJUK PENGGUNAAN	25
VI	Lưỡi Cắt Tỉa Hàng Rào	TÀI LIỆU HƯỚNG DẪN	30
TH	อุปกรณ์เสริมสำหรับเครื่องเล็มกิ่งไม้	คู่มือการใช้งาน	35
ZHCN	剪草/绿篱总成	使用说明书（保留备用。）	40
ZHTW	樹籬割草配件	使用說明書	44
KO	예초기	취급 설명서	48

EN420MP



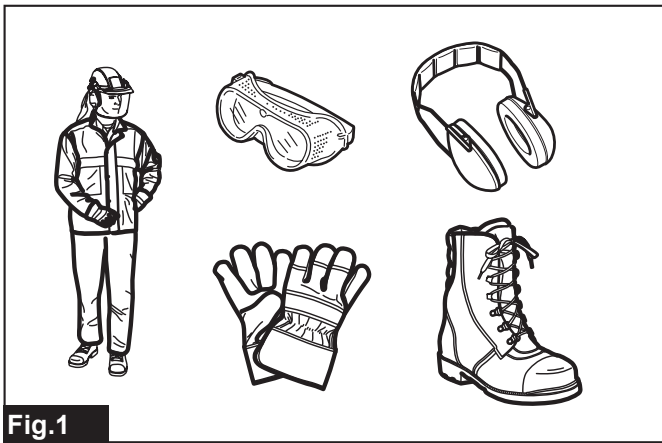


Fig.1

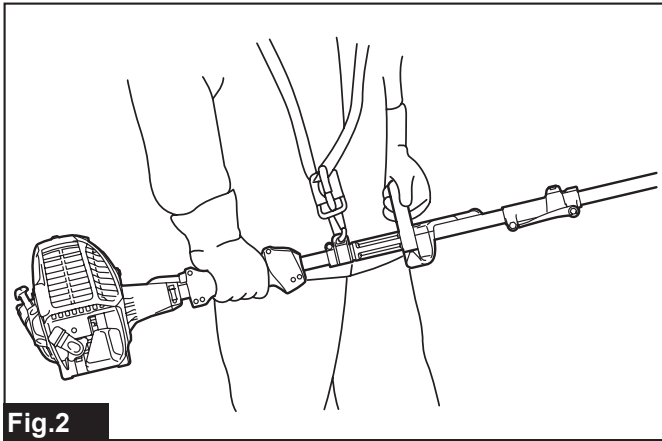


Fig.2

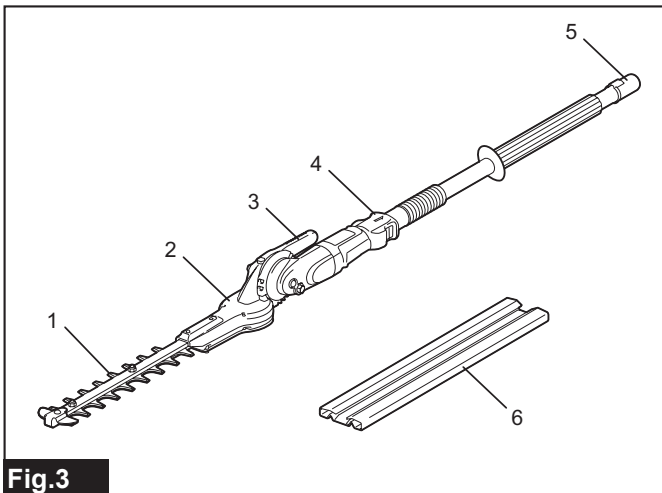


Fig.3

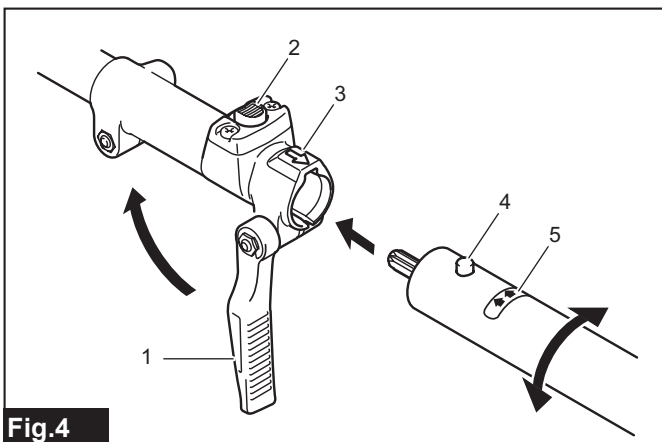


Fig.4

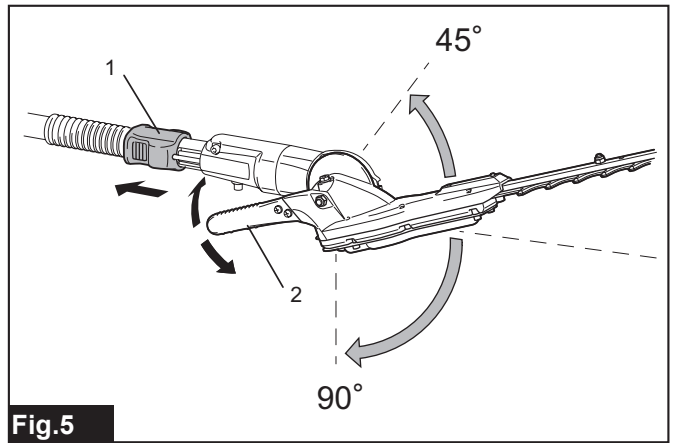


Fig.5

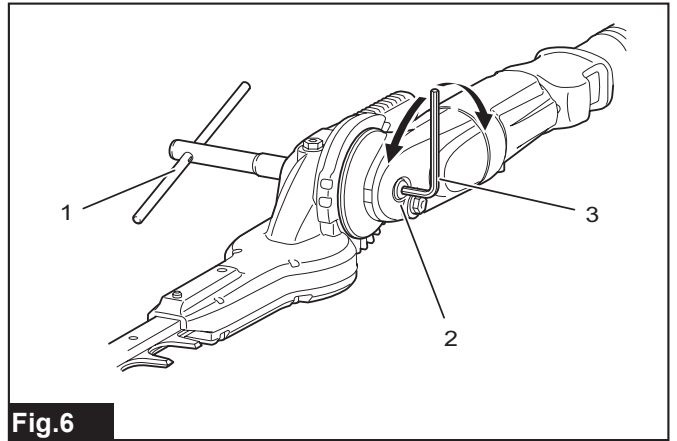


Fig.6

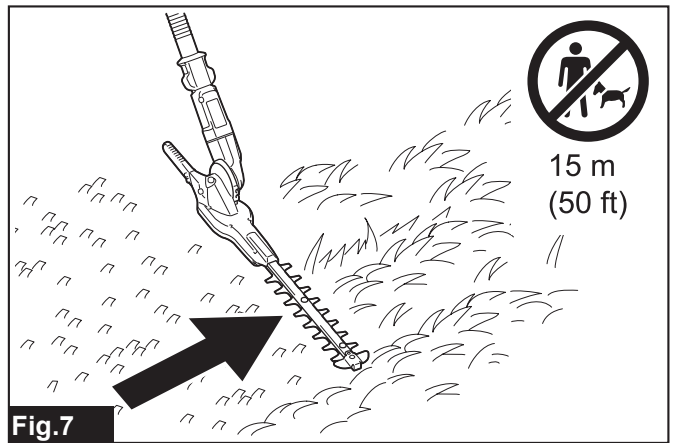


Fig.7

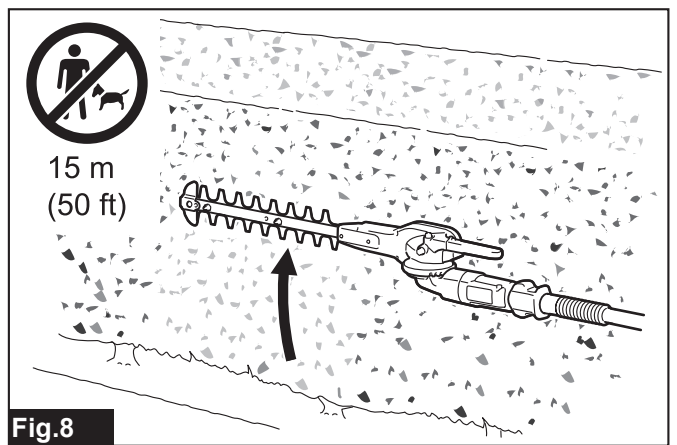


Fig.8

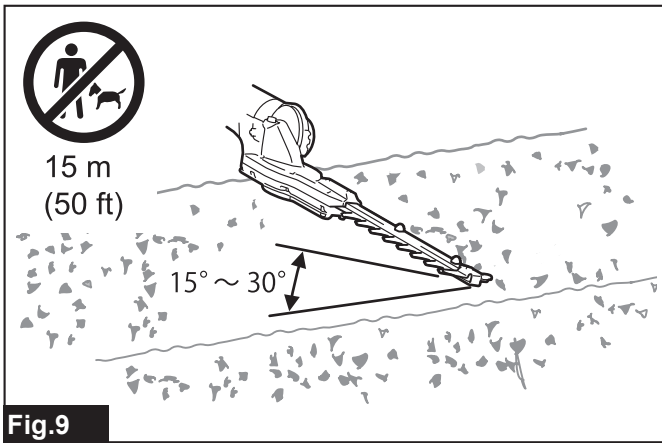


Fig.9

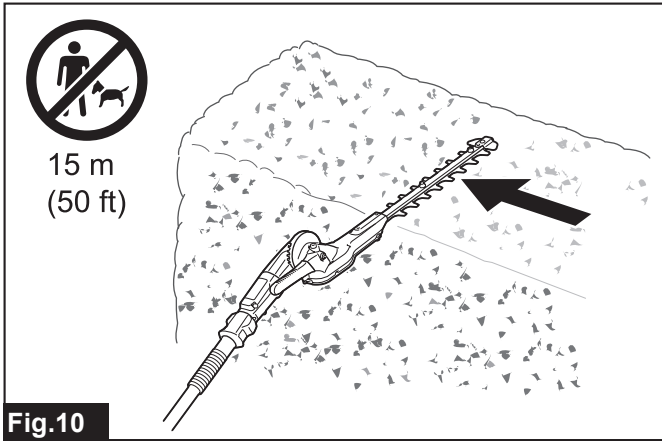


Fig.10

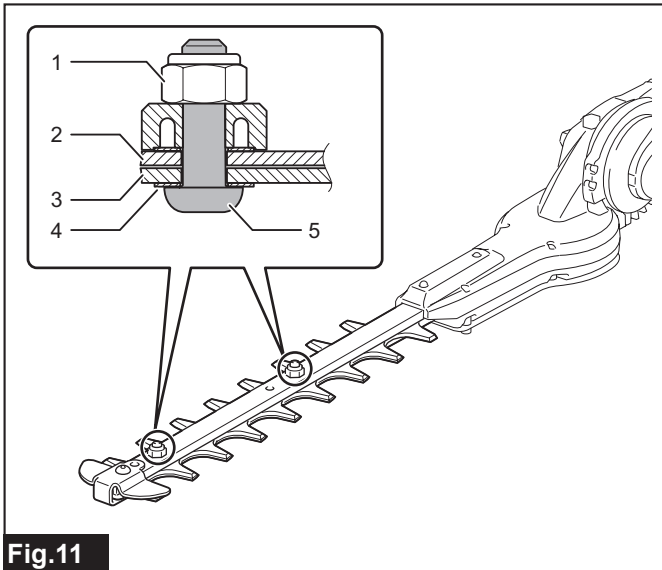


Fig.11

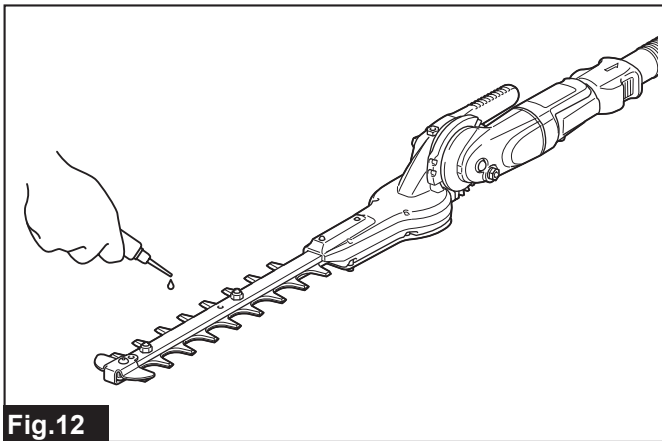


Fig.12

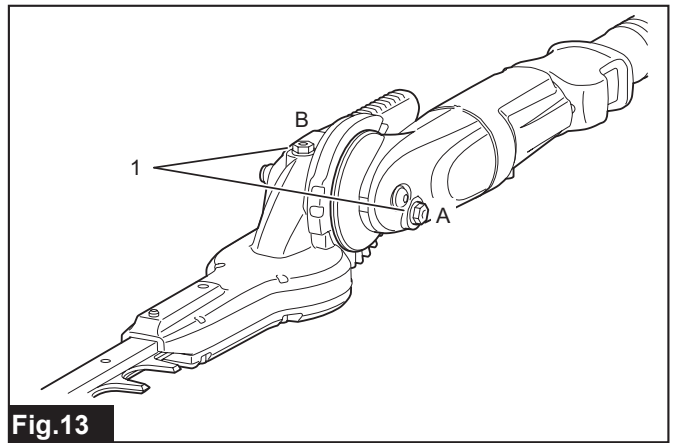


Fig.13

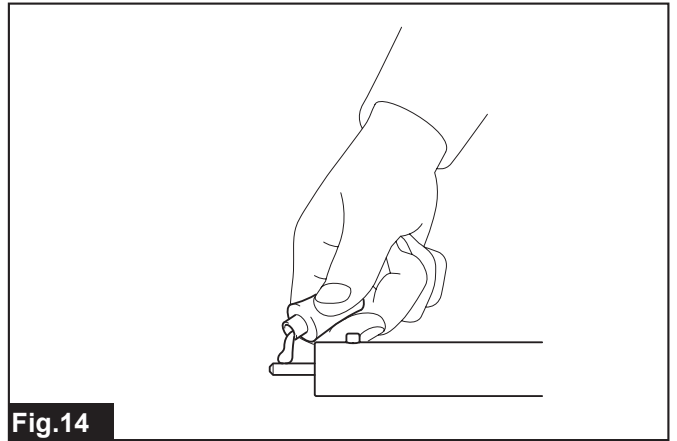


Fig.14

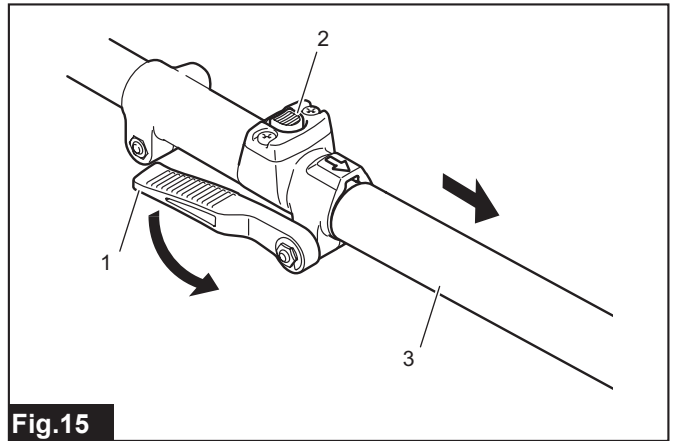


Fig.15

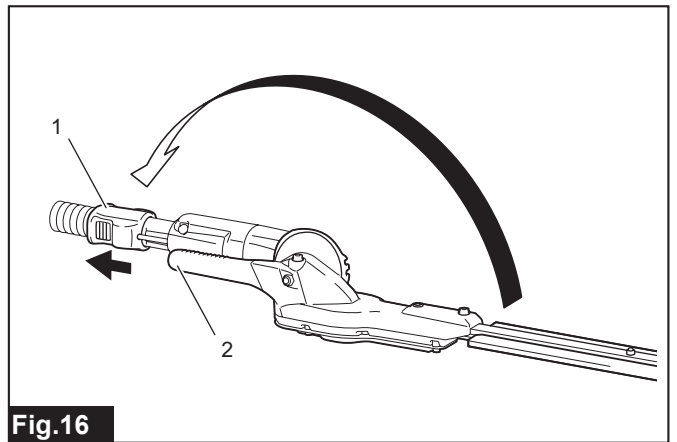


Fig.16

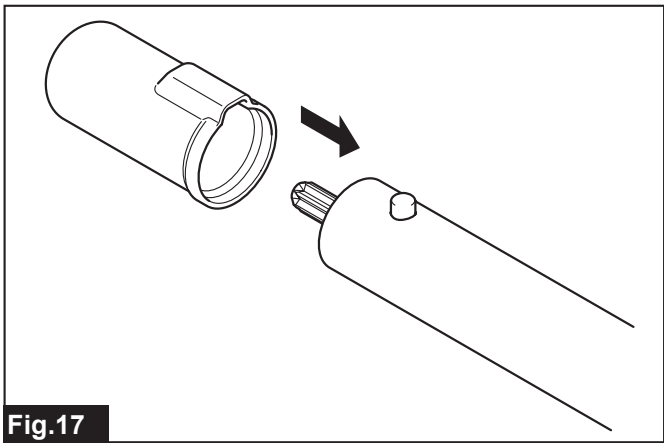


Fig.17

SPECIFICATIONS

Model:	EN420MP
Dimensions (L x W x H)	1,324 mm x 104 mm x 103 mm (52" x 4-1/8" x 4-1/16")
Net weight	2.6 kg (5.93 lbs)
Effective cutting length	250 mm (9-7/8")
Gear ratio	1 : 4.78

- Due to our continuing program of research and development, the specifications herein are subject to change without notice.
- Specifications may differ from country to country.

Approved power unit













⚠ WARNING: Never use the attachment with non-approved power unit. Non-approved combination may cause serious injury.

This attachment is approved to use only with the following power unit(s):

- (Multi Function Power Head)
EX2650LH
- (Cordless Multi Function Power Head)
BUX360, BUX361, BUX362, UX360D, UX361D, UX362D,
*DUX60, *XUX01, *DUX18, *XUX02, *UX01G, *GUX01 (*Only these models are Certified by UL)

Symbols

The followings show the symbols which may be used for the equipment. Be sure that you understand their meaning before use.

	Read and follow the instruction manual.
	Take particular care and attention!
	Forbidden!
	Beware of electrical lines. Risk of electrical shock.
	DANGER - Keep hands away from blade.
	Wear protective gloves.
	Wear protective helmet, eye and ear protection.
	Wear sturdy boots with non-slip soles.
	Keep bystanders and animals at least 15 m (50 ft) away from the power tool.
	Keep the area of operation clear of all persons and pets.
	Hot surfaces - Burns to fingers or hands.
	First aid

Intended use

This attachment is designed for only the purpose of trimming shrubs, hedges, and grasses on the ground in conjunction with an approved power unit. Never use the attachment for the other purpose. Abusing the attachment may cause serious injury.

SAFETY WARNINGS

Hedge trimmer safety warnings

1. **Keep all parts of the body away from the blade. Do not remove cut material or hold material to be cut when blades are moving.** Blades continue to move after the switch is turned off. A moment of inattention while operating the hedge trimmer may result in serious personal injury.
2. **Carry the hedge trimmer by the handle with the blade stopped and taking care not to operate any power switch.** Proper carrying of the hedge trimmer will decrease the risk of inadvertent starting and resultant personal injury from the blades.
3. **When transporting or storing the hedge trimmer, always fit the blade cover.** Proper handling of the hedge trimmer will decrease the risk of personal injury from the blades.
4. **When clearing jammed material or servicing the unit, make sure all power switches are off and the battery pack is removed or disconnected.** Unexpected actuation of the hedge trimmer while clearing jammed material or servicing may result in serious personal injury.
5. **Hold the hedge trimmer by insulated gripping surfaces only, because the blade may contact hidden wiring.** Blades contacting a "live" wire may make exposed metal parts of the hedge trimmer "live" and could give the operator an electric shock.
6. **Keep all power cords and cables away from cutting area.** Power cords or cables may be hidden in hedges or bushes and can be accidentally cut by the blade.
7. **Do not use the hedge trimmer in bad weather conditions, especially when there is a risk of lightning.** This decreases the risk of being struck by lightning.

Extended-reach hedge trimmer safety warnings

1. **To reduce the risk of electrocution, never use the extended-reach hedge trimmer near any electrical power lines.** Contact with or use near power lines may cause serious injury or electric shock resulting in death.
2. **Always use two hands when operating the extended-reach hedge trimmer.** Hold the extended-reach hedge trimmer with both hands to avoid loss of control.
3. **Always use head protection when operating the extended-reach hedge trimmer overhead.** Falling debris can result in serious personal injury.

IMPORTANT SAFETY INSTRUCTIONS

⚠ WARNING: Read all safety warnings and all instructions in this booklet and the instruction manual of the power unit. Failure to follow the warnings and instructions may result in electric shock, fire and/or serious injury.

⚠ WARNING: Save all warnings and instructions for future reference.

The term "ground trimmer" and "equipment" in the warnings and precautions refer to the combination of the attachment and the power unit.

The term "motor" in the warnings and precautions refers to the engine or electric motor of the power unit.

General precautions

1. Before starting the ground trimmer, read this booklet and the instruction manual of the power unit to become familiar with the handling of the ground trimmer.
2. Do not lend the attachment to a person with insufficient experience or knowledge regarding handling of ground trimmers.

- When lending the attachment, always attach this instruction manual.
- Do not allow children or young persons under 18 years old to use the ground trimmer. Keep them away from the ground trimmer.
- Handle the ground trimmer with the utmost care and attention.
- Do not operate this unit when tired, ill, or under the influence of alcohol, drugs, or medication.
- Never attempt to modify the attachment.
- Follow the regulations about handling of ground trimmers in your country.

Personal protective equipment

► Fig.1

- Always wear long pants, boots, gloves, and a long-sleeve shirt. Do not wear loose clothing, jewelry, short pants, sandals, or go barefoot. Secure hair so it is above shoulder level.
- Wear safety helmet, protective goggles and protective gloves to protect yourself from flying debris or falling objects.
- Wear ear protection such as ear muffs to prevent hearing loss.
- Wear proper clothing and shoes for safe operation, such as a work overall and sturdy, non-slip shoes. Do not wear loose clothing or jewelry. Loose clothes, jewelry or long hair can be caught in moving parts.
- When touching blades or adjusting the blade angle, wear protective gloves. Blades can cut bare hands severely.

Work area safety

⚠WARNING: Keep the ground trimmer away from electric lines and communication cables. Touching or approaching high-voltage lines with ground trimmer can result in death or serious injury. Watch power lines and electrical fences around the work area before starting operation.

⚠WARNING: Use of this product can create dust containing chemicals which may cause respiratory or other illnesses. Some examples of these chemicals are compounds found in pesticides, insecticides, fertilizers and herbicides. Your risk from these exposures varies, depending on how often you do this type of work. To reduce your exposure to these chemicals: work in a well ventilated area, and work with approved safety equipment, such as those dust masks that are specially designed to filter out microscopic particles.

- Operate the ground trimmer under good visibility and daylight conditions only. Do not operate the ground trimmer in darkness or fog.
- Start and operate the engine only outdoors in a well ventilated area. Operation in a confined or poorly ventilated area can result in death due to suffocation or carbon monoxide poisoning.
- During operation, never stand on an unstable or slippery surface or a steep slope. During the cold season, beware of ice and snow and always ensure secure footing.
- During operation, keep bystanders or animals at least 15 m away from the ground trimmer. Stop the motor as soon as someone approaches.
- Before operation, examine the work area for wire fences, stones, or other solid objects. They can damage the blades.

Putting into operation

- Before assembling or adjusting the equipment, switch off the motor and remove the spark plug cap or the battery cartridge.
- Before assembling the blades or adjusting the cutting angle, wear protective gloves.
- Before starting the motor, inspect the equipment for damages, loose screws/nuts or improper assembly. Replace if the blades are cracked, bent, or damaged. Check all control levers and switches for easy action. Clean and dry the handles.
- Never attempt to start the motor if the equipment is damaged or not fully assembled. Otherwise serious injury may result.
- Before starting the motor, carefully check that the blade is not touching the ground, your body, and other objects. Starting the motor with the blade contacting with foreign object can cause serious accident.
- Adjust the shoulder harness and hand grip to suit the operator's body size.

Operation

- Maintain the proper positioning for hands, feet, and the unit during use. Keep firm footing and balance. Do not over-reach. Keep all parts of your body away from the cutting attachment and hot surfaces.
- In the event of an emergency, switch off the motor immediately.
- If you feel any unusual condition (e.g. noise, vibration) during operation, switch off the motor. Do not use the ground trimmer until the cause is recognized and solved.

- The blades continue to move for a short period after releasing the throttle trigger or switch off the motor. Don't rush to contact the blades.
- With the engine running only at idle, attach the shoulder harness.
- During operation, use the shoulder harness. Keep the ground trimmer on your right side firmly.

► Fig.2

- Hold the front handle with the left hand and the rear grip with the right hand, no matter you are right-hander or left-hander. Wrap your fingers and thumbs around the handles.
- Never attempt to operate the equipment with one hand. Loss of control may result in serious or fatal injury. To reduce the risk of cut injuries, keep your hands and feet away from the blades.
- Do not overreach. Keep proper footing and balance at all times. Watch for hidden obstacles such as tree stumps, roots and ditches to avoid stumbling. Clear fallen branches and other objects away.
- Never work on a ladder or tree to avoid loss of control.
- Do not hold the machine above shoulder height.
- During operation, never hit the blades against hard obstacles such as stones and metals. Take particular care when cutting hedges next to or against wire fences. When working close to the ground, make sure that no sand, grit or stones get between the blades.
- If the blades come into contact with stones or other solid objects, stop the motor immediately and check the blades for damage after removing the spark plug or the battery cartridge. Replace the blades if damaged.
- If thick branches get jammed in the blades, immediately switch off the motor, put the ground trimmer down and then remove the obstruction after removing the spark plug or the battery cartridge. Check the blades for damage before using the equipment again.
- Never touch or approach the blades while they are moving. Blades can cut your finger easily. When handling the blades or adjusting the blade angle, stop the motor and remove the spark plug cap or the battery cartridge.
- Accelerating the motor with the blades blocked increases the load and will damage the motor and/or clutch.
- Check the cutting blades frequently during operation for cracks or blunt edges. Before the inspection, switch off the motor and wait until the blades stop completely. Replace damaged or dull blades immediately, even if they have only superficial cracks.
- If the equipment gets heavy impact or fall, check the condition before continuing work. Check the fuel system for fuel leakage and the controls and safety devices for malfunction. If there is any damage or doubt, ask our authorized service center for the inspection and repair.
- Do not touch the gear case. The gear case becomes hot during operation.
- Take a rest to prevent loss of control caused by fatigue. We recommend to take a 10 to 20-minute rest every hour.
- When you leave the equipment, even if it is a short time, always switch off the engine or remove the battery cartridge. The equipment unattended with the engine running may be used by unauthorized person and cause serious accident.
- Before cutting, pull the throttle lever fully to achieve the maximum speed.
- Follow the instruction manual of the power unit for proper use of the control lever and switch.
- During or after operation, do not put the hot equipment onto dry grass or combustible materials.

Transport

- Before transporting the equipment, switch off the motor and remove the spark plug cap or battery cartridge. Always fit the blade cover during transportation.
- When carrying the equipment, carry it in a horizontal position by holding the shaft. Keep the hot muffler away from your body.
- When transporting the equipment in a vehicle, properly secure it to avoid turnover. Otherwise fuel spillage and damage to the equipment and other baggage may result.

Maintenance

- Before doing any maintenance or repair work or cleaning the equipment, always switch off the motor and remove the spark plug cap or the battery cartridge. Wait until the motor gets cold.
- To reduce the risk of fire, never service the equipment in the vicinity of fire.
- Always wear protective gloves when handling the blades.
- Always clean dust and dirt off the equipment. Never use gasoline, benzine, thinner, alcohol or the like for the purpose. Discoloration, deformation or cracks of the plastic components may result.

5. After each use, tighten all screws and nuts, except for the carburetor adjustment screws.
6. Keep the cutting tool sharp. If the cutting blades have become blunt and cutting performance is poor, ask our authorized service center to sharpen the blades.
7. Never repair bent or broken blades by straightening or welding. It may cause parts of the blades to come off and result in serious injury. Contact our authorized service center for Makita genuine blades to replace them.
8. Do not attempt any maintenance or repair not described in this booklet or the instruction manual of the power unit. Ask our authorized service center for such work.
9. Always use Makita genuine spare parts and accessories only. Using parts or accessories supplied by a third party may result in the equipment breakdown, property damage and/or serious injury.
10. Request our authorized service center to inspect and maintain the ground trimmer at regular interval.

Storage

1. Before storing the equipment, perform full cleaning and maintenance. Fit the blade cover.
2. Store the equipment in a dry and high or locked location out of reach of children.
3. Do not prop the equipment against something, such as a wall. Otherwise the ground trimmer may fall suddenly and cause an injury.

First aid

1. Always have a first-aid kit close by. Immediately replace any item taken from the first aid kit.
2. **When asking for help, give the following information:**
 - **Place of the accident**
 - **What happened**
 - **Number of injured persons**
 - **Nature of the injury**
 - **Your name**

PARTS DESCRIPTION

- **Fig.3:** 1. Blade 2. Gear case 3. Cutter unit handle 4. Angle lock 5. Cap 6. Blade cover

ASSEMBLY

⚠ WARNING: Before assembling or adjusting the equipment, switch off the motor and remove the spark plug cap or the battery cartridge. Otherwise blades or other parts may move and result in serious injury.

⚠ WARNING: Before handling or working around blades, wear protective gloves and put the blade cover onto blades. Otherwise the blades can cut bare hands severely.

⚠ WARNING: When assembling or adjusting the equipment, always put it down. Assembling or adjusting the equipment in an upright position may result in serious injury.

⚠ WARNING: Follow the warnings and precautions in the chapter "Safety precautions" and the instruction manual of the power unit.

⚠ WARNING: Before operating the equipment, make sure that the lock lever is tightened.

Mounting the attachment to a power unit

To mount the attachment to a power unit, follow the steps below.

1. Make sure that the lock lever is not tightened.
 2. Align the pin with the arrow mark.
 3. Insert the shaft into the drive shaft of the power unit until the position line and the release button pops up.
 4. Tighten the lock lever firmly as shown.
- **Fig.4:** 1. Lock lever 2. Release button 3. Arrow mark 4. Pin 5. Position line

To remove the attachment, loosen the lock lever by turning the lock lever opposite direction, and press the lock button and withdraw the shaft.

NOTICE: Do not tighten the lock lever without the shaft of the equipment inserted. Otherwise the lock lever may tighten the entrance of the drive shaft too much and damage it.

Cutting angle adjustment

⚠ CAUTION: When adjusting the cutting angle, always switch off the motor and remove the battery cartridge then lay the ground trimmer flat on the ground.

⚠ CAUTION: Do not adjust the cutting angle when the ground trimmer is in an upright position.

⚠ CAUTION: Always secure the blades with the blade cover provided before adjusting cutting angle.

⚠ CAUTION: Always use the cutter unit handle when adjusting the cutting angle. Grabbing the blade may result in a personal injury.

Hold the cutter unit handle and move the blade to your desired angle while pulling the angle lock. The cutting angle can be adjusted in the range as illustrated in the figure.

► **Fig.5:** 1. Angle lock 2. Cutter unit handle

NOTE: The cutter unit is fastened only with certain angles alongside the groove on the unit. Make sure the cutter unit sits properly. If the angle is not appropriate, the clutch is cut and the tool does not operate.

In case the cutter unit is loose, the bolt (the axis of angle adjustment) needs to be tightened.

Set the socket wrench and the hex wrench on the bolt. Adjust the tightness of the cutter unit by turning hex wrench and then fasten the bolt by turning the socket wrench.

► **Fig.6:** 1. Socket wrench 2. Bolt 3. Hex wrench

NOTE: Do not fasten the cutter unit too tight. The angle of the cutter unit can not be changed if it is too tight.

OPERATION

⚠ WARNING: If the blades move at idle, adjust the idle speed of the engine down. Otherwise you cannot stop the blades with throttle off and it may cause serious injury.

⚠ WARNING: Follow the warnings and precautions in the chapter "IMPORTANT SAFETY INSTRUCTIONS" and the instruction manual of the power unit.

Grass shearing

When shearing grasses, follow the steps below.

1. Pull the throttle lever fully.
 2. Apply the blades to the grass parallel to the ground.
 3. Shear the grass with a right to left swinging movement.
- **Fig.7**

Hedge trimming

When trimming hedges vertically, follow the steps below.

1. Pull the throttle lever fully.
 2. Apply the blades to the hedge parallel to each other.
 3. Trim the hedge from the bottom upwards with a swinging movement.
- **Fig.8**

When trimming hedges horizontally, follow the steps below.

1. Pull the throttle lever fully.
 2. Apply the blades to the hedge with an angle of 15° to 30°.
- **Fig.9**
3. Trim the hedge with a right to left swinging movement.
- **Fig.10**

MAINTENANCE

⚠WARNING: Before inspecting or maintaining the equipment, switch off the motor and remove the spark plug cap or the battery cartridge. Otherwise blades or other parts may move and result in serious injury.

⚠WARNING: Before handling or working around blades, wear protective gloves and put the blade cover onto blades. During the assembly or adjustment, your fingers may contact with blades and it may cause serious injury.

⚠WARNING: When inspecting or maintaining the equipment, always put the equipment down. Assembling or adjusting the equipment in an upright position may result in serious injury.

⚠WARNING: Follow the warnings and precautions in the chapter "IMPORTANT SAFETY INSTRUCTIONS" and the instruction manual of the power unit.

Inspecting blades

Check the blades daily for damage, crack and dull edge. Ask our authorized service center to replace damaged blades or sharpen dull blades.

Adjusting the blade clearance

The upper/lower blades wear out gradually after operations. If you cannot get a clean cut though the blades are sharp enough, adjust the clearance as follows.

The tightness of the hex bolt decides the clearance of the blades. The nut holds the hex bolt with certain tightness. Too loose clearance causes blunt cut, but too tight clearance causes unnecessary heat and sooner worn-out of the blades.

1. Loosen the nuts with a wrench.
 2. Tighten the hex bolts lightly till they stop. And then, screw them back a quarter to half turn each to gain necessary clearance.
 3. Hold the hex bolts and tighten the nuts.
 4. Apply light oil on the friction surface of the blades.
 5. Start the motor and operate the throttle on and off for a minute.
 6. Measure the time necessary for the blades to stop after releasing the throttle. If it is two seconds or longer, switch off the motor and repeat the step 1 to 6.
 7. Switch off the motor and touch the blade surface. If they are not too hot to touch, you have made a proper adjustment. If they are too hot to touch, turn the hex bolts back a little and repeat the step 5 to 7.
- ▶ **Fig.11:** 1. Nut 2. Upper blade 3. Lower blade 4. Plate 5. Hex bolt

Lubricating moving parts

NOTICE: Follow the instruction of the frequency and amount of grease supplied. Otherwise insufficient lubrication may damage moving parts.

▶ **Fig.12**

Gear case:

⚠CAUTION: Do not apply grease when the gear case is hot. Hot gear case can cause burn injury.

Apply grease every 25 working hours.

1. The grease hole locates under the bolt. Remove the bolt to lubricate.
2. Add approx. 3 g (4 cc) of lubricant to the point A of the gearbox and 5 g (7 cc) of the lubricant to the point B respectively via the grease hole.
3. Return the bolt after lubrication.

▶ **Fig.13:** 1. Grease hole

NOTE: After filling correct amount of grease, grease will come out a bit from the base of the blade during the first operation.

Drive axle:

Apply grease every 25 working hours.

▶ **Fig.14**

Overall inspection

- Tighten loose bolts, nuts and screws.
- Check for damaged parts and blades. Ask our authorized service center to replace them if necessary.

Storage

⚠WARNING: Follow the warnings and precautions in the chapter "IMPORTANT SAFETY INSTRUCTIONS" and the instruction manual of the power unit.

When storing the attachment, always remove it from the power unit.

1. Turn the lock lever to the direction in the figure and pull out the attachment while pressing the release button.
▶ **Fig.15:** 1. Lock lever 2. Release button 3. Attachment
2. Attach the blade cover. Hold the cutter unit handle and fold the blade as shown while pulling the angle lock.
▶ **Fig.16:** 1. Angle lock 2. Cutter unit handle
3. Attach the cap onto the end of the shaft.
▶ **Fig.17**

MAINTENANCE INTERVAL

		Before operation	Daily (10h)	25 h	If required
Whole unit	Visually inspect for damaged parts	○	-	-	-
All fixing screws and nuts	Tighten	○	-	-	-
Blades	Inspect for damage, crack and dull edge	-	○	-	-
	Adjust the clearance	-	-	-	○
Gear case	Supply grease	-	-	○	-
Drive axle	Supply grease	-	-	○	-
Power unit	Refer to the instruction manual of the power unit				

TROUBLESHOOTING

State of abnormality	Probable cause (malfunction)	Remedy
The motor does not start.	Refer to the instruction manual of the power unit.	Refer to the instruction manual of the power unit.
The motor stops soon after its start.	Refer to the instruction manual of the power unit.	Refer to the instruction manual of the power unit.
The maximum speed is limited.	Refer to the instruction manual of the power unit.	Refer to the instruction manual of the power unit.
The blades do not move. ⇒ Stop the motor immediately!	Inappropriate angle of cutter unit.	Make sure the angle lock engages properly.
The blades do not move. ⇒ Stop the motor immediately!	A twig is caught by the blades.	Remove the foreign matter.
The blades do not move. ⇒ Stop the motor immediately!	The drive system does not work properly.	Ask our authorized service center to inspect and repair it.
The unit vibrates abnormally. ⇒ Stop the motor immediately!	The drive system does not work properly.	Ask our authorized service center to inspect and repair it.
The blades do not stop. ⇒ Stop the motor immediately!	The power unit does not work properly.	Refer to the instruction manual of the power unit.

OPTIONAL ACCESSORIES

⚠ CAUTION: These accessories or attachments are recommended for use with your Makita tool specified in this manual. The use of any other accessories or attachments might present a risk of injury to persons. Only use accessory or attachment for its stated purpose.

If you need any assistance for more details regarding these accessories, ask your local Makita Service Center.

- Blade set
- Grease set

NOTE: Some items in the list may be included in the tool package as standard accessories. They may differ from country to country.

SPÉCIFICATIONS

Modèle :	EN420MP
Dimensions (L x P x H)	1 324 mm x 104 mm x 103 mm (52" x 4-1/8" x 4-1/16")
Poids net	2,6 kg (5,93 lbs)
Longueur de coupe efficace	250 mm (9-7/8")
Rapport d'engrenage	1 : 4,78

- Étant donné l'évolution constante de notre programme de recherche et de développement, les spécifications contenues dans ce manuel sont sujettes à modification sans préavis.
- Les spécifications peuvent varier suivant les pays.

Unité d'alimentation approuvée

MISE EN GARDE : N'utilisez jamais l'accessoire avec une unité d'alimentation non approuvée. Une combinaison non approuvée peut entraîner une grave blessure.

Cet accessoire est approuvé uniquement pour l'utilisation avec les unités d'alimentation suivantes :

- (Tête mécanique multifonctions)
EX2650LH
- (Tête mécanique multifonctions sans fil)
BUX360, BUX361, BUX362, UX360D, UX361D, UX362D,
*DUX60, *XUX01, *DUX18, *XUX02, *UX01G, *GUX01 (*Seuls ces modèles sont certifiés par UL)

Symboles

Les symboles qui peuvent être utilisés pour l'équipement sont indiqués ci-dessous. Vous devez avoir compris leur signification avant l'utilisation.



Veuillez lire le mode d'emploi et en respecter les instructions.



Soyez tout particulièrement prudent et attentif !



Interdit !



Prenez garde aux lignes électriques. Il y a risque de décharge électrique.



DANGER - Gardez les mains à l'écart de la lame.



Portez des gants de protection.



Portez un casque de sécurité et des protecteurs pour les yeux et les oreilles.



Portez des bottes robustes à semelles antidérapantes.



Ne laissez pas les curieux et les animaux approcher à moins de 15 m (50 ft) de l'outil électrique.



Ne laissez pénétrer personne, ni aucun animal domestique, dans la zone de travail.



Surfaces chaudes - Brûlures aux doigts ou aux mains.



Premiers soins

Usage prévu

Cet accessoire est conçu uniquement pour la taille des arbustes, des haies et de la pelouse, en combinaison avec une unité d'alimentation approuvée. N'utilisez jamais l'accessoire à d'autres fins. Maltraiter l'accessoire peut entraîner une grave blessure.

CONSIGNES DE SÉCURITÉ

Consignes de sécurité pour taille-haie

1. **Gardez toutes les parties du corps à l'écart de la lame. Pendant que les lames bougent, ne retirez pas le matériau coupé et ne tenez pas le matériau à couper.** La lame continue de tourner après que l'interrupteur a été mis en position d'arrêt. Un moment d'inattention pendant l'utilisation du taille-haie peut entraîner une grave blessure.
2. **Transportez le taille-haie par la poignée, avec la lame arrêtée et en évitant d'activer tout interrupteur d'alimentation.** Le transport adéquat du taille-haie réduira le risque de démarrage accidentel et de blessure causée par les lames.
3. **Lorsque vous transportez ou rangez le taille-haie, posez toujours le couvre-lame.** Une manipulation adéquate du taille-haie réduira le risque de blessure causée par les lames.
4. **Lorsque vous enlevez des objets coincés ou réparez l'appareil, assurez-vous que tous les interrupteurs d'alimentation sont en position d'arrêt et que la batterie est retirée ou déconnectée.** L'activation inattendue du taille-haie pendant le retrait d'objets coincés ou la réparation peut entraîner une grave blessure.
5. **Ne tenez le taille-haie que par ses surfaces de prise isolées, car la lame peut entrer en contact avec un câblage dissimulé.** Au contact d'un fil sous tension, les lames peuvent mettre sous tension les parties métalliques dénudées du taille-haie et causer une décharge électrique à l'utilisateur.
6. **Gardez tous les cordons d'alimentation et câbles à l'écart de la zone de coupe.** Les cordons d'alimentation ou les câbles peuvent être dissimulés par les haies ou les arbustes, et être accidentellement coupés par la lame.
7. **N'utilisez pas le taille-haie par mauvais temps, tout spécialement lorsqu'il y a un risque de foudre.** Vous réduirez ainsi le risque d'être frappé par la foudre.

Consignes de sécurité pour taille-haie longue portée

1. **Pour réduire le risque d'électrocution, n'utilisez jamais le taille-haie longue portée près des lignes électriques.** Le contact avec, ou l'utilisation près des lignes électriques peut entraîner une grave blessure ou une décharge électrique mortelle.
2. **Manipulez toujours le taille-haie longue portée à deux mains pendant l'utilisation.** Tenez le taille-haie longue portée à deux mains pour éviter d'en perdre le contrôle.
3. **Portez toujours une protection de la tête lorsque vous utilisez le taille-haie longue portée au-dessus de la tête.** Les chutes de débris peuvent entraîner une grave blessure.

IMPORTANTES CONSIGNES DE SÉCURITÉ

▲MISE EN GARDE : Veuillez lire toutes les consignes de sécurité et toutes les instructions de cette brochure et du mode d'emploi de l'unité d'alimentation. La négligence des consignes et des instructions peut entraîner une décharge électrique, un incendie et/ou une grave blessure.

▲MISE EN GARDE : Conservez toutes les consignes et instructions pour consultation ultérieure.

Dans les consignes et précautions, les termes « faucheuse » et « équipement » font référence à la combinaison de l'accessoire et de l'unité d'alimentation.

Dans les consignes et précautions, le terme « moteur » fait référence au moteur ou au moteur électrique de l'unité d'alimentation.

Précautions générales

1. Avant de démarrer la faucheuse, veuillez lire cette brochure et le mode d'emploi de l'unité d'alimentation pour vous familiariser avec la manipulation de la faucheuse.
2. Ne prêtez pas l'accessoire à quelqu'un ne possédant pas l'expérience ou les connaissances requises pour manipuler les faucheuses.
3. Lorsque vous prêtez l'accessoire, faites-le toujours en combinaison avec ce mode d'emploi.
4. Ne laissez pas les enfants ou les jeunes de moins de 18 ans utiliser la faucheuse. Tenez-les à l'écart de la faucheuse.
5. Manipulez la faucheuse avec la plus grande prudence et la plus grande attention.
6. N'utilisez pas cet appareil lorsque vous êtes fatigué, malade ou sous l'influence de l'alcool, d'une drogue ou d'un médicament.
7. N'essayez jamais de modifier l'accessoire.
8. Respectez la réglementation de votre pays en matière de manipulation des faucheuses.

Dispositifs de protection personnelle

► Fig.1

1. Portez toujours un pantalon long, des chaussures, des gants et une chemise à manches longues. Ne portez pas de vêtements amples, bijoux, culottes courtes ou sandales, et ne travaillez pas pieds nus. Rassemblez les cheveux au-dessus de la hauteur des épaules.
2. Portez un casque de sécurité, des lunettes à coques et des gants de protection pour vous protéger contre les débris éjectés ou les chutes d'objets.
3. Portez une protection d'oreilles telle qu'un cache-oreilles antibruit pour éviter de subir une perte auditive.
4. Portez des vêtements et chaussures sécuritaires, tels qu'une salopette et des chaussures robustes et antidérapantes. Ne portez ni vêtements amples ni bijoux. Les vêtements amples, bijoux ou cheveux longs peuvent être happés par les pièces mobiles.
5. Pour toucher les lames ou régler l'angle de la lame, portez des gants de protection. Les lames peuvent infliger de graves coupures aux mains nues.

Sécurité de la zone de travail

▲MISE EN GARDE : Gardez la faucheuse à l'écart des lignes électriques et des câbles de transmission. Toucher des lignes haute tension ou s'en approcher avec la faucheuse peut entraîner un décès ou une grave blessure. Avant de commencer le travail, vérifiez s'il y a des lignes électriques ou des clôtures électriques aux environs de la zone de travail.

▲MISE EN GARDE : L'utilisation de ce produit peut générer des poussières contenant des produits chimiques qui peuvent causer des maladies respiratoires ou autres. Parmi ces produits chimiques figurent les composés que l'on trouve dans les pesticides, les insecticides, les fertilisants et les herbicides. Le risque lié à ces expositions varie suivant la fréquence d'exécution du type de travail en question. Pour réduire votre exposition à ces produits chimiques : travaillez dans une zone bien aérée et avec des dispositifs de sécurité approuvés, tels que des masques antipoussières spécialement conçus pour filtrer les particules microscopiques.

1. N'utilisez la faucheuse que dans de bonnes conditions de visibilité et à la lumière du jour. N'utilisez pas la faucheuse dans l'obscurité ou le brouillard.
2. Ne démarrez et n'utilisez le moteur qu'à l'extérieur, dans une zone bien aérée. L'utilisation dans un espace étroit ou mal aéré peut entraîner le décès par asphyxie ou par empoisonnement au monoxyde de carbone.

3. Pendant l'exécution du travail, ne vous tenez jamais sur une surface instable ou glissante, ou dans une pente abrupte. Pendant la saison froide, prenez garde à la glace et à la neige, et assurez-vous toujours d'une bonne prise au sol.
4. Pendant l'exécution du travail, ne laissez pas les curieux ou les animaux approcher à moins de 15 m de la faucheuse. Arrêtez le moteur dès que quelqu'un approche.
5. Avant l'exécution du travail, vérifiez l'absence de clôtures grillagées et de pierres ou autres objets solides dans la zone de travail. Ils peuvent endommager les lames.

Mise en marche

1. Avant d'assembler ou de régler l'équipement, éteignez le moteur et retirez le capuchon de bougie ou la batterie.
2. Avant d'assembler les lames ou de régler l'angle de coupe, enfillez des gants de protection.
3. Avant de démarrer le moteur, vérifiez l'absence de dommages, de vis/écrous mal serrés ou de pièces mal assemblées sur l'équipement. Remplacez les lames si elles sont fissurées, pliées ou endommagées. Vérifiez le fonctionnement fluide des leviers de commande et des commutateurs. Nettoyez et essuyez les poignées.
4. N'essayez jamais de faire démarrer le moteur si l'équipement est endommagé ou partiellement assemblé. Autrement, il y a risque de grave blessure.
5. Avant de démarrer le moteur, vérifiez attentivement que la lame ne touche pas le sol, votre corps et d'autres objets. Démarrer le moteur tandis que la lame est en contact avec un corps étranger peut entraîner un grave accident.
6. Réglez la sangle de bandoulière et la poignée selon la taille de l'utilisateur.

Exécution du travail

1. Pendant l'utilisation, gardez les mains, les pieds et l'appareil en bonne position. Assurez-vous d'être bien campé sur vos deux jambes. Ne tendez pas trop les bras. Gardez toutes les parties du corps à l'écart de l'accessoire de coupe et des surfaces chaudes.
2. En cas d'urgence, éteignez immédiatement le moteur.
3. Si vous soupçonnez une anomalie (bruit, vibration, etc.) pendant l'exécution du travail, éteignez le moteur. N'utilisez pas la faucheuse avant que la cause n'ait été identifiée et corrigée.
4. Les lames continuent de tourner un court instant après la libération de la commande d'accélérateur ou l'arrêt du moteur. Ne touchez pas les lames tout de suite.
5. Fixez la sangle de bandoulière pendant que le moteur ne tourne qu'au ralenti.
6. Pendant l'exécution du travail, utilisez la sangle de bandoulière. Tenez fermement la faucheuse de votre côté droit.

► Fig.2

7. Que vous soyez droitier ou gaucher, tenez la poignée avant de la main gauche et la poignée arrière de la main droite. Enveloppez les poignées de vos doigts et pouces.
8. N'essayez jamais d'utiliser l'équipement d'une seule main. La perte de contrôle peut entraîner une blessure grave, voire fatale. Pour réduire les risques de blessure par coupure, gardez mains et pieds à l'écart des lames.
9. Ne vous étirez pas. Gardez une bonne prise au sol et un bon équilibre en tout temps. Vérifiez l'absence d'obstacles non visibles, tels que souches, racines et fossés, pour éviter de perdre pied. Enlevez les branches mortes tombées sur le sol et autres objets.
10. Pour éviter de perdre le contrôle, ne travaillez jamais sur une échelle ou dans un arbre.
11. Ne tenez pas la machine plus haut que la hauteur des épaules.
12. Pendant l'exécution du travail, ne frappez jamais les lames contre des obstacles durs tels que pierres et objets métalliques. Soyez tout particulièrement prudent lorsque vous taillez des haies près ou sur des clôtures grillagées. Lorsque vous travaillez au ras du sol, évitez que du sable, du gravier ou des pierres ne se retrouvent entre les lames.
13. Si les lames entrent en contact avec des pierres ou autres objets solides, arrêtez immédiatement le moteur, retirez la bougie ou la batterie, puis vérifiez l'absence de dommages sur les lames. Si les lames sont endommagées, remplacez-les.
14. Si des branches épaisses se coincent entre les lames, arrêtez immédiatement le moteur, déposez la faucheuse, retirez la bougie ou la batterie, puis retirez les branches. Avant de réutiliser l'équipement, vérifiez l'absence de dommages sur les lames.

15. Ne touchez jamais les lames et ne vous en approchez jamais pendant qu'elles tournent. Les lames peuvent facilement vous couper le doigt. Avant de manipuler les lames ou de régler l'angle d'une lame, arrêtez le moteur et retirez le capuchon de bougie ou la batterie.
16. Faire accélérer le moteur alors que les lames sont bloquées accroîtra la charge et endommagera le moteur et/ou l'embrayage.
17. Vérifiez fréquemment l'absence de fissures ou de tranchants émoussés sur les lames pendant l'exécution du travail. Avant de procéder à l'inspection, éteignez le moteur et attendez l'arrêt complet des lames. Remplacez immédiatement les lames endommagées ou émoussées, même si elles n'ont que des fissures superficielles.
18. Si l'équipement est heurté violemment ou échappé, vérifiez son état avant de poursuivre le travail. Vérifiez l'absence de fuite de carburant sur le circuit de carburant, et l'absence de dysfonctionnements sur les commandes et les dispositifs de sécurité. Si vous constatez ou soupçonnez tout dommage, demandez à un centre de service après-vente agréé d'effectuer l'inspection et la réparation.
19. Ne touchez pas la boîte d'engrenage. La boîte d'engrenage devient chaude pendant l'exécution du travail.
20. Faites une pause, pour éviter une éventuelle perte de contrôle causée par la fatigue. Il est recommandé de prendre une pause de 10 à 20 minutes toutes les heures.
21. Lorsque vous vous éloignez de l'équipement, même pour un bref instant, éteignez toujours le moteur ou retirez la batterie. L'équipement risque d'être utilisé par une personne non autorisée et de causer un grave accident s'il est laissé sans surveillance avec le moteur en marche.
22. Avant d'effectuer la coupe, tirez à fond sur le levier d'accélérateur pour obtenir la vitesse maximale.
23. Suivez les instructions du mode d'emploi de l'unité d'alimentation pour utiliser adéquatement le levier de commande et le commutateur.
24. Pendant ou après l'exécution du travail, ne déposez pas l'équipement chaud sur l'herbe sèche ou sur des matières combustibles.

Transport

1. Avant de transporter l'équipement, éteignez le moteur et retirez le capuchon de bougie ou la batterie. Pendant le transport, posez toujours le couvre-lame.
2. Lorsque vous transportez l'équipement, tenez-le à l'horizontale en le saisissant par l'arbre. Gardez le silencieux chaud à l'écart de votre corps.
3. Lorsque vous transportez l'équipement à bord d'un véhicule, immobilisez-le adéquatement pour l'empêcher de se retourner sur lui-même. Autrement, du carburant risque de se déverser et d'endommager l'équipement et les autres bagages.

Entretien

1. Avant d'effectuer tout travail d'entretien, de réparation ou de nettoyage sur l'équipement, éteignez toujours le moteur et retirez le capuchon de bougie ou la batterie. Attendez que le moteur ait refroidi.
2. Pour réduire le risque d'incendie, ne faites jamais l'entretien de l'équipement près d'un feu.
3. Portez toujours des gants de protection lorsque vous manipulez les lames.
4. Enlevez toujours les poussières et saletés sur l'équipement. Pour cela, n'utilisez jamais d'essence, de benzine, de diluant, d'alcool, etc. Cela risquerait de causer la décoloration, la déformation ou la fissuration des composants de plastique.
5. Après chaque utilisation, serrez toutes les vis et tous les écrous, à l'exception des vis de réglage du carburateur.
6. Maintenez l'outil de coupe bien affûté. Si les lames sont émoussées ou ne coupent pas bien, demandez à un centre de service après-vente agréé de les affûter.
7. Ne réparez jamais les lames pliées ou cassées en les redressant ou en les soudant. Des morceaux de lames risqueraient de se détacher et d'entraîner une grave blessure. Contactez un centre de service après-vente agréé pour les faire remplacer par des lames Makita d'origine.
8. Ne tentez aucun travail d'entretien ou de réparation non décrit dans cette brochure ou dans le mode d'emploi de l'unité d'alimentation. Demandez à un centre de service après-vente agréé d'effectuer ce travail.
9. Utilisez toujours uniquement des pièces de rechange et accessoires Makita d'origine. L'utilisation de pièces ou d'accessoires d'un autre fabricant peut entraîner une panne d'équipement, des dommages matériels et/ou une grave blessure.

10. Demandez régulièrement à un centre de service après-vente agréé de procéder à l'inspection et à l'entretien de la faucheuse.

Rangement

1. Avant de ranger l'équipement, effectuez son nettoyage et son entretien complets. Posez le couvre-lame.
2. Rangez l'équipement dans un emplacement sec et élevé ou verrouillé, hors de portée des enfants.
3. N'appuyez pas l'équipement contre un mur ou un objet. Sinon, la faucheuse pourrait chuter soudainement et provoquer une blessure.

Premiers soins

1. Ayez toujours une trousse de premiers soins à portée de la main. Lorsque vous prenez un article dans la trousse de premiers soins, remplacez-le immédiatement.
2. **Au moment de demander de l'aide, veuillez fournir les renseignements suivants :**
 - Le lieu de l'accident
 - Ce qui s'est produit
 - Le nombre de blessés
 - La nature de la blessure
 - Votre nom

DESCRIPTION DES PIÈCES

- Fig.3: 1. Lame 2. Boîte d'engrenage 3. Poignée de l'unité de coupe 4. Verrou d'angle 5. Capuchon 6. Couvre-lame

ASSEMBLAGE

⚠ MISE EN GARDE : Avant d'assembler ou de régler l'équipement, éteignez le moteur et retirez le capuchon de bougie ou la batterie. Autrement, les lames ou autres pièces peuvent se déplacer et entraîner une grave blessure.

⚠ MISE EN GARDE : Avant de manipuler les lames ou les pièces adjacentes, enflez des gants de protection et mettez le couvre-lame sur les lames. Autrement, les lames peuvent infliger de graves coupures aux mains nues.

⚠ MISE EN GARDE : Déposez toujours l'équipement avant de l'assembler ou de le régler. Assembler ou régler l'équipement en position verticale peut entraîner une grave blessure.

⚠ MISE EN GARDE : Respectez les mises en garde et précautions du chapitre « Consignes de sécurité » et du mode d'emploi de l'unité d'alimentation.

⚠ MISE EN GARDE : Avant d'utiliser l'équipement, assurez-vous que le levier de verrouillage est bien serré.

Montage de l'accessoire sur une unité d'alimentation

Pour monter l'accessoire sur une unité d'alimentation, suivez les étapes ci-dessous.

1. Assurez-vous que le levier de verrouillage n'est pas serré.
 2. Alignez la broche sur la marque de flèche.
 3. Insérez l'arbre dans l'arbre d'entraînement de l'unité d'alimentation jusqu'à la ligne de positionnement et jusqu'à ce que le bouton de libération sorte.
 4. Serrez fermement le levier de verrouillage, tel qu'illustré.
- Fig.4: 1. Levier de verrouillage 2. Bouton de libération 3. Marque de flèche 4. Broche 5. Ligne de positionnement

Pour retirer l'accessoire, desserrez le levier de verrouillage en le tournant dans le sens contraire, puis enfoncez le bouton de verrouillage et retirez l'arbre.

AVIS : Ne serrez pas le levier de verrouillage sans avoir inséré l'arbre de l'équipement. Autrement, le levier de verrouillage pourrait trop serrer l'entrée de l'arbre d'entraînement et endommager ce dernier.

Réglage de l'angle de coupe

⚠ ATTENTION : Lorsque vous réglez l'angle de coupe, éteignez toujours le moteur et retirez la batterie, puis posez la faucheuse à plat sur le sol.

⚠ ATTENTION : Ne réglez pas l'angle de coupe lorsque la faucheuse est en position verticale.

⚠ ATTENTION : Immobilisez toujours les lames avec le couvre-lame fourni avant de régler l'angle de coupe.

⚠ ATTENTION : Utilisez toujours la poignée de l'unité de coupe lorsque vous réglez l'angle de coupe. Saisir la lame avec les mains peut entraîner un dommage corporel.

Tenez la poignée de l'unité de coupe et positionnez la lame selon l'angle de votre choix tout en tirant le verrou d'angle. L'angle de coupe peut être réglé dans la plage illustrée dans la figure.

► **Fig.5:** 1. Verrou d'angle 2. Poignée de l'unité de coupe

NOTE : L'unité de coupe n'est serrée que dans certains angles par rapport à la rainure de l'unité. Assurez-vous que l'unité de coupe est correctement en place. Si l'angle n'est pas adapté, l'embrayage est interrompu et l'outil ne fonctionne pas.

Si l'unité de coupe présente du jeu, le boulon (l'axe de réglage de l'angle) doit être serré.

Placez une clé à douille et une clé hexagonale sur le boulon. Réglez le serrage de l'unité de coupe en tournant la clé hexagonale, puis en serrant le boulon en tournant la clé à douille.

► **Fig.6:** 1. Clé à douille 2. Boulon 3. Clé hexagonale

NOTE : Ne serrez pas trop l'unité de coupe. Il est impossible de changer l'angle de l'unité de coupe si celle-ci est trop serrée.

UTILISATION

⚠ MISE EN GARDE : Si les lames se déplacent au ralenti, réduisez la vitesse de ralenti du moteur. Autrement, vous ne pourrez pas arrêter les lames en libérant l'accélérateur et cela risque de causer une grave blessure.

⚠ MISE EN GARDE : Respectez les mises en garde et précautions du chapitre « IMPORTANTES CONSIGNES DE SÉCURITÉ » et du mode d'emploi de l'unité d'alimentation.

Tonte de pelouse

Pour tondre la pelouse, suivez les étapes ci-dessous.

1. Tirez à fond sur le levier d'accélérateur.
2. Appliquez les lames sur la pelouse parallèlement au sol.
3. Tondez la pelouse avec un mouvement de balayage de droite à gauche.

► **Fig.7**

Taille des haies

Pour tailler des haies verticalement, suivez les étapes ci-dessous.

1. Tirez à fond sur le levier d'accélérateur.
2. Appliquez les lames sur la haie parallèlement l'une à l'autre.
3. Taillez la haie avec un mouvement de balayage du bas vers le haut.

► **Fig.8**

Pour tailler des haies horizontalement, suivez les étapes ci-dessous.

1. Tirez à fond sur le levier d'accélérateur.
2. Appliquez les lames sur la haie avec un angle de 15° à 30°.

► **Fig.9**

3. Taillez la haie avec un mouvement de balayage de droite à gauche.

► **Fig.10**

ENTRETIEN

⚠ MISE EN GARDE : Avant d'effectuer l'inspection ou l'entretien de l'équipement, éteignez le moteur et retirez le capuchon de bougie ou la batterie. Autrement, les lames ou autres pièces peuvent se déplacer et entraîner une grave blessure.

⚠ MISE EN GARDE : Avant de manipuler les lames ou les pièces adjacentes, enfillez des gants de protection et mettez le couvre-lame sur les lames. Pendant l'assemblage ou le réglage, vous risquez une grave blessure aux doigts si ceux-ci touchent les lames.

⚠ MISE EN GARDE : Lorsque vous effectuez l'inspection ou l'entretien de l'équipement, déposez toujours celui-ci. Assembler ou régler l'équipement en position verticale peut entraîner une grave blessure.

⚠ MISE EN GARDE : Respectez les mises en garde et précautions du chapitre « IMPORTANTES CONSIGNES DE SÉCURITÉ » et du mode d'emploi de l'unité d'alimentation.

Inspection des lames

Vérifiez quotidiennement l'absence de dommages, de fissures et de tranchants émoussés sur les lames. Demandez à un centre de service après-vente agréé de remplacer les lames endommagées ou d'affûter les lames émoussées.

Réglage du jeu des lames

Les lames supérieure/inférieure s'usent graduellement à l'usage. Si vous ne pouvez pas obtenir une coupe nette même si les lames sont suffisamment affûtées, réglez le jeu comme suit.

La tension du boulon hexagonal détermine le jeu des lames. L'écrou retient le boulon hexagonal avec une certaine tension. La coupe sera médiocre s'il y a trop de jeu, mais un jeu insuffisant causera une surchauffe inutile et réduira la durée de service des lames.

1. Desserrez les écrous avec une clé.
2. Serrez légèrement les boulons hexagonaux, jusqu'à ce qu'ils s'arrêtent. Desserrez ensuite chaque boulon d'un quart de tour ou d'un demi-tour pour obtenir le jeu nécessaire.
3. Serrez les écrous en retenant les boulons hexagonaux.
4. Appliquez une huile légère sur la surface de friction des lames.
5. Démarrez le moteur puis activez et désactivez l'accélérateur pendant une minute.
6. Calculez le temps nécessaire à l'arrêt des lames après la libération de l'accélérateur. S'il est de deux secondes ou plus, éteignez le moteur et répétez les étapes 1 à 6.
7. Éteignez le moteur et touchez la surface des lames. Si elles ne sont pas trop chaudes au toucher, vous avez effectué un réglage adéquat. Si elles sont trop chaudes au toucher, desserrez légèrement les boulons hexagonaux et répétez les étapes 5 à 7.

► **Fig.11:** 1. Écrou 2. Lame supérieure 3. Lame inférieure 4. Plaque 5. Boulon hexagonal

Lubrification des pièces mobiles

AVIS : Suivez les instructions relatives à la fréquence et à la quantité de graisse fournie. Sinon, une lubrification insuffisante peut endommager les pièces mobiles.

► **Fig.12**

Boîte d'engrenage :

⚠ ATTENTION : N'appliquez pas de graisse lorsque la boîte d'engrenage est chaude. Une boîte d'engrenage chaude peut provoquer des blessures.

Appliquez de la graisse toutes les 25 heures d'utilisation.

1. Le trou de graissage se trouve sous le boulon. Retirez le boulon pour effectuer la lubrification.
2. Ajoutez respectivement env. 3 g (4 cc) de lubrifiant au point A de la boîte d'engrenage et 5 g (7 cc) de lubrifiant au point B via le trou de graissage.
3. Remettez le boulon en place après la lubrification.

► **Fig.13:** 1. Trou de graissage

NOTE : Une fois la quantité adéquate de graisse ajoutée, la graisse sortira un peu de la base de la lame pendant la première utilisation.

Axe d'entraînement :

Appliquez de la graisse toutes les 25 heures d'utilisation.

► Fig.14

Inspection générale

- Serrez les boulons, écrous et vis desserrés.
- Vérifiez l'absence de pièces ou lames endommagées. Si nécessaire, demandez à un centre de service après-vente agréé de les remplacer.

Rangement

⚠ MISE EN GARDE : Respectez les mises en garde et précautions du chapitre « IMPORTANTES CONSIGNES DE SÉCURITÉ » et du mode d'emploi de l'unité d'alimentation.

Lorsque vous rangez l'accessoire, retirez-le toujours de l'unité d'alimentation.

1. Tournez le levier de verrouillage dans le sens indiqué sur la figure et retirez l'accessoire en appuyant sur le bouton de libération.

► Fig.15: 1. Levier de verrouillage 2. Bouton de libération 3. Accessoire

2. Fixez le couvre-lame. Tenez la poignée de l'unité de coupe et pliez la lame comme illustré tout en tirant le verrou d'angle.

► Fig.16: 1. Verrou d'angle 2. Poignée de l'unité de coupe

3. Fixez le capuchon sur l'extrémité de l'arbre.

► Fig.17

INTERVALLE D'ENTRETIEN

		Avant l'exécution du travail	Quotidien (10 h)	25 h	Si nécessaire
Unité entière	Vérifier visuellement l'absence de pièces endommagées	○	-	-	-
Toutes les vis et écrous de fixation	Serrer	○	-	-	-
Lames	Vérifier l'absence de dommages, de fissures ou de tranchant émoussé	-	○	-	-
	Régler le jeu	-	-	-	○
Boîte d'engrenage	Appliquer de la graisse	-	-	○	-
Axe d'entraînement	Appliquer de la graisse	-	-	○	-
Unité d'alimentation	Consulter le mode d'emploi de l'unité d'alimentation				

DÉPANNAGE

État anormal	Cause probable (dysfonctionnement)	Solution
Le moteur ne démarre pas.	Consultez le mode d'emploi de l'unité d'alimentation.	Consultez le mode d'emploi de l'unité d'alimentation.
Le moteur s'arrête peu après le démarrage.	Consultez le mode d'emploi de l'unité d'alimentation.	Consultez le mode d'emploi de l'unité d'alimentation.
La vitesse maximale est limitée.	Consultez le mode d'emploi de l'unité d'alimentation.	Consultez le mode d'emploi de l'unité d'alimentation.
Les lames ne bougent pas. ⇒ Arrêtez immédiatement le moteur !	Angle inadéquat de l'unité de coupe.	Assurez-vous que le verrou d'angle s'engage bien.
Les lames ne bougent pas. ⇒ Arrêtez immédiatement le moteur !	Une brindille est coincée entre les lames.	Retirez le corps étranger.
Les lames ne bougent pas. ⇒ Arrêtez immédiatement le moteur !	Le dispositif d'entraînement ne fonctionne pas bien.	Demandez à un centre de service après-vente agréé d'effectuer l'inspection et la réparation.
L'unité vibre anormalement. ⇒ Arrêtez immédiatement le moteur !	Le dispositif d'entraînement ne fonctionne pas bien.	Demandez à un centre de service après-vente agréé d'effectuer l'inspection et la réparation.
Les lames ne s'arrêtent pas. ⇒ Arrêtez immédiatement le moteur !	L'unité d'alimentation ne fonctionne pas bien.	Consultez le mode d'emploi de l'unité d'alimentation.

ACCESSOIRES EN OPTION

⚠ ATTENTION : Ces accessoires ou pièces complémentaires sont recommandés pour l'utilisation avec l'outil Makita spécifié dans ce manuel. L'utilisation de tout autre accessoire ou pièce complémentaire peut comporter un risque de blessure. N'utilisez les accessoires ou pièces complémentaires qu'aux fins auxquelles ils ont été conçus.

Si vous désirez obtenir plus de détails sur ces accessoires, veuillez contacter le centre de service après-vente Makita le plus près.

- Ensemble de lames
- Ensemble de graissage

NOTE : Certains éléments de la liste peuvent être inclus avec l'outil comme accessoires standards. Ils peuvent varier suivant les pays.

ESPECIFICACIONES

Modelo:	EN420MP
Dimensiones (La x An x Al)	1 324 mm x 104 mm x 103 mm (52" x 4-1/8" x 4-1/16")
Peso neto	2,6 kg (5,93 lbs)
Longitud de corte eficaz	250 mm (9-7/8")
Relación de engranajes	1 : 4,78

- Debido a nuestro programa continuo de investigación y desarrollo, las especificaciones aquí dadas están sujetas a cambios sin previo aviso.
- Las especificaciones pueden variar de país a país.

Unidad motorizada aprobada

⚠ADVERTENCIA: Nunca utilice el accesorio con una unidad motorizada no aprobada. Una combinación no aprobada puede causar lesiones graves.

Este accesorio está aprobado para usarse únicamente con la(s) siguiente(s) unidad(es) motorizada(s):

- (Cabezal motorizado multifuncional)
EX2650LH
- (Cabezal motorizado multifuncional inalámbrico)
BUX360, BUX361, BUX362, UX360D, UX361D, UX362D,
*DUX60, *XUX01, *DUX18, *XUX02, *UX01G, *GUX01 (*Estos modelos cuentan con la certificación UL solamente)

Símbolos

A continuación se muestran los símbolos que pueden ser utilizados para el equipo. Asegúrese de que entiende su significado antes de utilizar.

	Lea y siga el manual de instrucciones.
	¡Ponga especial cuidado y atención!
	¡Prohibido!
	Tenga cuidado con las líneas eléctricas. Riesgo de descarga eléctrica.
	PELIGRO: Mantenga las manos alejadas de la cuchilla.
	Utilice guantes de protección.
	Utilice un casco protector y protección para los ojos y oídos.
	Utilice botas resistentes con suelas antiderrapantes.
	Mantenga a las personas y animales alrededor a por lo menos 15 m (50 ft) de distancia de la herramienta eléctrica.
	Mantenga el área de operación libre de personas y mascotas.
	Superficies calientes - Quemaduras de los dedos o las manos.
	Primeros auxilios

Uso pretendido

Este accesorio ha sido diseñado con el único propósito de recortar arbustos, setos y césped a ras de piso junto con una unidad motorizada aprobada. Nunca use el accesorio para ningún otro propósito. Hacer un mal uso del accesorio puede causar lesiones graves.

ADVERTENCIAS DE SEGURIDAD

Advertencias de seguridad para desmalezadora eléctrica

1. **Mantenga todas las partes de su cuerpo alejadas de la cuchilla. No extraiga el material cortado o sujete el material que se va a cortar cuando las cuchillas estén en movimiento.** Las cuchillas continuarán moviéndose una vez que se apaga el interruptor. Un momento de distracción mientras opera el cortasetos podría ocasionar lesiones personales graves.
2. **Cargue el cortasetos por el mango y que la cuchilla esté detenida, y con cuidado de no accionar ningún interruptor de encendido/apagado.** El transporte adecuado del cortasetos disminuirá el riesgo de un arranque inadvertido y de la posibilidad de lesiones personales por las cuchillas.
3. **Cuando transporte o almacene el cortasetos, ajuste siempre la cubierta de las cuchillas.** El manejo adecuado del cortasetos disminuirá el riesgo de lesiones personales por las cuchillas.
4. **Al limpiar el material atascado o dar servicio a la unidad, asegúrese de que todos los interruptores de encendido/apagado estén en apagado y que la batería sea extraída o esté desconectada.** La activación inesperada del cortasetos mientras se despeja el material atascado o se le da servicio podría provocar lesiones personales graves.
5. **Sostenga el cortasetos por las superficies aisladas de agarre solamente, ya que la cuchilla puede hacer contacto con el cableado oculto.** Las cuchillas que hagan contacto con un cable electrizado podrían conducir electricidad hacia las partes metálicas expuestas del cortasetos, lo cual podría dar una descarga eléctrica al operador.
6. **Mantenga todos los cables de alimentación y demás cables alejados del área de corte.** Los cables de alimentación o demás cables podrían estar ocultos entre los arbustos o setos y ser cortados accidentalmente por la cuchilla.
7. **No use el cortasetos bajo condiciones climáticas inadecuadas, sobre todo cuando exista el riesgo de rayos eléctricos.** Esto reduce el riesgo de ser alcanzado por rayos.

Advertencias de seguridad para el cortasetos de alcance extendido

1. **Para reducir el riesgo de electrocutarse, nunca use el cortasetos de alcance extendido cerca de líneas de energía eléctrica.** El contacto con las líneas de energía eléctrica o cerca de estas puede ocasionar lesiones graves o un choque eléctrico, y pueden causar la muerte.
2. **Siempre use ambas manos cuando maneje el cortasetos de alcance extendido.** Sostenga el cortasetos de alcance extendido con ambas manos para evitar la pérdida de control.
3. **Siempre use protección para la cabeza cuando maneje el cortasetos de alcance extendido por encima de usted.** Los residuos que caigan pueden resultar en lesiones personales graves.

INSTRUCCIONES IMPORTANTES DE SEGURIDAD

⚠ADVERTENCIA: Lea todas las advertencias de seguridad e instrucciones contenidas en este folleto así como el manual de instrucciones de la unidad motorizada. El no seguir las advertencias e instrucciones podrá ocasionar descargas eléctricas, incendios y/o lesiones graves.

⚠ADVERTENCIA: Conserve todas las advertencias e instrucciones para referencia en el futuro.

Los términos "recortadora a ras de piso" y "equipo" en las advertencias y precauciones hacen referencia a la combinación del accesorio y la unidad motorizada.

El término "motor" en las advertencias y precauciones hace referencia al motor o al motor eléctrico de la unidad motorizada.

Precauciones generales

1. Antes de poner en marcha la recortadora a ras de piso, lea este folleto y el manual de instrucciones de la unidad motorizada para familiarizarse con el manejo de la recortadora a ras de piso.
2. No preste el accesorio a ninguna persona que no tenga experiencia o conocimientos en relación con el manejo de recortadoras a ras de piso.
3. Cuando preste el accesorio, proporcione siempre este manual de instrucciones.
4. No permita que los niños o jóvenes menores de 18 años utilicen la recortadora a ras de piso. Manténgalos alejados de la recortadora a ras de piso.
5. Maneje la recortadora a ras de piso con extremo cuidado y atención.
6. Nunca opere esta unidad si está cansado, enfermo o está bajo la influencia de alcohol, drogas o algún medicamento.
7. Nunca intente modificar el accesorio.
8. Siga los reglamentos relativos al manejo de recortadoras a ras de piso de su país.

Equipo de protección personal

► Fig.1

1. Use siempre pantalones largos, botas, guantes y una camisa de manga larga. Evite llevar ropa holgada, alhajas, shorts, sandalias o estar descalzo. Amarre su cabello de manera que éste quede sobre el nivel de los hombros.
2. Utilice casco de seguridad, gafas protectoras y guantes de protección para protegerse de los residuos que salgan volando o de la caída de objetos.
3. Utilice protección para los oídos tal como orejeras para evitar la pérdida auditiva.
4. Utilice ropa y calzado adecuados para una operación segura, tal como overol de trabajo y zapatos resistentes con suela antiderrapante. No use ropa suelta ni alhajas. La ropa suelta, las alhajas y el cabello largo podrían engancharse en las piezas móviles.
5. Cuando toque las cuchillas o ajuste el ángulo de las cuchillas, utilice guantes de protección. Las cuchillas pueden causar cortaduras graves en las manos descubiertas.

Seguridad en el área de trabajo

⚠ADVERTENCIA: Mantenga la recortadora a ras de piso alejada de las líneas eléctricas y los cables de comunicación. Tocar o acercarse a las líneas de alta tensión con la recortadora a ras de piso puede provocar la muerte o lesiones graves. Esté al pendiente de los cables eléctricos y cercas eléctricas alrededor del área de trabajo antes de comenzar la operación.

⚠ADVERTENCIA: El uso de este producto puede producir polvo que contenga sustancias químicas que podrían causar enfermedades respiratorias o de otro tipo. Algunos ejemplos de estas sustancias químicas son los compuestos encontrados en pesticidas, insecticidas, fertilizantes y herbicidas. El riesgo al que se expone varía, dependiendo de la frecuencia con la que realice este tipo de trabajo. Para reducir la exposición a estas sustancias químicas: trabaje en un área bien ventilada y use un equipo de seguridad aprobado, tal como las máscaras contra polvo que están especialmente diseñadas para filtrar partículas microscópicas.

1. Opere la recortadora a ras de piso únicamente en condiciones de buena visibilidad y a la luz del día. No opere la recortadora a ras de piso en la oscuridad o la niebla.
2. Ponga en marcha y opere el motor únicamente en exteriores en un área bien ventilada. La operación en un área cerrada o con poca ventilación puede causar la muerte por asfixia o envenenamiento por monóxido de carbono.

3. Durante la operación, nunca se coloque sobre una superficie inestable o resbalosa o una pendiente inclinada. Durante las estaciones de frío, tenga cuidado con el hielo y la nieve y siempre asegúrese de pisar sobre suelo firme.
4. Durante la operación, mantenga a las personas o animales alrededor a por lo menos 15 m de distancia de la recortadora a ras de piso. Detenga el motor en cuanto alguien se acerque.
5. Antes de la operación, examine el área de trabajo para ver si hay alambros, piedras u otros objetos sólidos. Éstos pueden dañar las cuchillas.

Puesta en funcionamiento

1. Antes de ensamblar o ajustar el equipo, apague el motor y retire la tapa de la bujía o el cartucho de batería.
2. Antes de ensamblar las cuchillas o ajustar el ángulo de corte, colóquese guantes de protección.
3. Antes de arrancar el motor inspeccione el equipo para ver que no haya daños, tornillos/tuercas flojas o un ensamblado incorrecto. Reemplace las cuchillas si están agrietadas, dobladas o dañadas. Verifique que todas las palancas de control e interruptores se accionen fácilmente. Limpie y seque los mangos.
4. Nunca intente poner en marcha el motor si el equipo está dañado o no se ha ensamblado completamente. De lo contrario, esto podría causar lesiones graves.
5. Antes de arrancar el motor, revise cuidadosamente que la cuchilla no esté tocando el suelo, su cuerpo u otros objetos. Arrancar el motor con la cuchilla haciendo contacto con un objeto extraño puede causar un accidente grave.
6. Ajuste el arnés para hombro y la empuñadura de mano para adaptarlos al tamaño del cuerpo del operador.

Operación

1. Mantenga la posición adecuada para las manos, los pies y la unidad durante su uso. Mantenga los pies firmes y el equilibrio. No use la unidad donde no alcance. Mantenga todas las partes de su cuerpo alejadas del accesorio de corte, así como de las superficies calientes.
2. En caso de emergencia, apague el motor de inmediato.
3. Si percibe cualquier condición inusual (p. ej., ruido o vibración) durante la operación, apague el motor. No utilice la recortadora a ras de piso hasta que la causa haya sido reconocida y resuelta.
4. Las cuchillas continuarán moviéndose durante un corto período después de soltar el gatillo del acelerador o apagar el motor. No se apresure a tocar las cuchillas.
5. Con el motor funcionando únicamente al ralentí, coloque el arnés para hombro.
6. Durante la operación, utilice el arnés para hombro. Mantenga la recortadora a ras de piso de su lado derecho con firmeza.

► Fig.2

7. Sujete el mango delantero con la mano izquierda y la empuñadura trasera con la mano derecha, sin importar si es derecho o zurdo. Rodee los mangos con sus dedos y pulgares.
8. Nunca intente operar el equipo con una mano. La pérdida de control podría ocasionar lesiones graves o fatales. Para reducir el riesgo de lesiones por cortaduras, mantenga sus manos y pies alejados de las cuchillas.
9. No utilice la herramienta donde no alcance. Mantenga los pies sobre suelo firme y el equilibrio en todo momento. Observe si hay obstáculos ocultos tales como cepas de árboles, raíces y zanjas para evitar tropezar. Despeje el área de ramas caídas y otros objetos.
10. Nunca trabaje sobre una escalera o árbol para evitar la pérdida de control.
11. No sujete la máquina por encima de la altura del hombro.
12. Durante la operación, nunca golpee las cuchillas contra obstáculos duros tales como piedras y metales. Tenga especial cuidado cuando corte setos al lado o enfrente de alambros. Cuando trabaje cerca del suelo, asegúrese de que no ingrese arena, polvo o piedras entre las cuchillas.
13. Si las cuchillas entran en contacto con piedras u otros objetos sólidos, detenga el motor inmediatamente y verifique que no haya daños en las cuchillas después de retirar la bujía o el cartucho de batería. Reemplace las cuchillas en caso de estar dañadas.
14. Si llegan a atascarse ramas gruesas en las cuchillas, apague de inmediato el motor, coloque la recortadora a ras de piso en el suelo y luego retire la obstrucción después de extraer la bujía o el cartucho de batería. Verifique que las cuchillas no presenten daños antes de usar nuevamente el equipo.

15. Nunca toque ni se aproxime a las cuchillas mientras se estén moviendo. Las cuchillas pueden cortar sus dedos fácilmente. Cuando manipule las cuchillas o ajuste el ángulo de las mismas, detenga el motor y retire la tapa de la bujía o el cartucho de batería.
16. Si se acelera el motor con las cuchillas bloqueadas, la carga aumentará y esto dañará el motor y/o el embrague.
17. Revise frecuentemente las cuchillas de corte durante la operación para ver que no haya grietas o bordes desafilados. Antes de la inspección, apague el motor y espere hasta que las cuchillas se detengan por completo. Reemplace las cuchillas dañadas o desafiladas inmediatamente, aun cuando sólo presenten grietas superficiales.
18. Si el equipo recibe un impacto fuerte o se cae, verifique la condición antes de continuar el trabajo. Verifique que el sistema de combustible no presente fugas y que los controles y dispositivos de seguridad funcionen correctamente. En caso de daños o dudas, solicite la inspección y reparación a nuestro centro de servicio autorizado.
19. No toque la caja de engranajes. La caja de engranajes se calienta durante la operación.
20. Tome un descanso para evitar la pérdida de control a causa de la fatiga. Recomendamos tomar de 10 a 20 minutos de descanso cada hora.
21. Cuando vaya a dejar el equipo, aunque sea por poco tiempo, siempre apague el motor o retire el cartucho de batería. Si el equipo se deja desatendido con el motor funcionando, alguna persona no autorizada podría utilizarlo y provocar un accidente grave.
22. Antes de cortar, jale completamente la palanca del acelerador para alcanzar la velocidad máxima.
23. Siga el manual de instrucciones de la unidad motorizada para el uso correcto de la palanca de control y el interruptor.
24. Durante o después de la operación, evite colocar el equipo caliente sobre césped seco o materiales combustibles.

Transporte

1. Antes de transportar el equipo, apague el motor y retire la tapa de la bujía o el cartucho de batería. Siempre coloque la cubierta de las cuchillas durante el transporte.
2. Cuando transporte el equipo, cárguelo en posición horizontal sujetando el eje. Mantenga el silenciador caliente alejado de su cuerpo.
3. Cuando transporte el equipo en un vehículo, asegúrelo correctamente para evitar que se vuelque. De lo contrario, podría provocarse un derrame de combustible o daños al equipo y a los demás objetos transportados.

Mantenimiento

1. Antes de realizar cualquier trabajo de mantenimiento, reparación o limpieza del equipo, apague siempre el motor y retire la tapa de la bujía o el cartucho de batería. Espere hasta que el motor se enfríe.
2. Para reducir el riesgo de incendio, nunca dé servicio al equipo cerca del fuego.
3. Use siempre guantes de protección cuando manipule las cuchillas.
4. Limpie siempre el polvo y la suciedad del equipo. Nunca utilice gasolina, bencina, disolvente, alcohol o sustancias similares para ese propósito. Esto podría ocasionar decoloración, deformación o grietas en los componentes de plástico.
5. Después de cada uso, apriete todos los tornillos y tuercas, excepto los tornillos de ajuste del carburador.
6. Mantenga afilada la herramienta de corte. Si las cuchillas de corte están desafiladas y el desempeño de corte es deficiente, solicite a nuestro centro de servicio autorizado que afile las cuchillas.
7. Nunca repare cuchillas dobladas o rotas enderezándolas o soldándolas. Esto podría causar que se desprendieran partes de las cuchillas y ocasionar lesiones graves. Póngase en contacto con nuestro centro de servicio autorizado para solicitar cuchillas de reemplazo originales de Makita.
8. No intente realizar ningún tipo de mantenimiento o reparación que no esté descrito en este folleto o en el manual de instrucciones de la unidad motorizada. Solicite este tipo de trabajo a nuestro centro de servicio autorizado.
9. Siempre utilice únicamente piezas de repuesto y accesorios originales de Makita. El uso de piezas o accesorios suministrados por un tercero podría provocar fallas en el equipo, daños materiales y/o lesiones graves.
10. Solicite a nuestro centro de servicio autorizado que inspeccione y dé mantenimiento a la recortadora a ras de piso de manera periódica.

Almacenamiento

1. Antes de almacenar el equipo, realice una limpieza completa y déle mantenimiento. Coloque la cubierta de las cuchillas.
2. Almacene el equipo en un lugar seco, en alto y bajo llave fuera del alcance de los niños.
3. No apoye el equipo contra algún objeto, tal como una pared. De lo contrario, la recortadora a ras de piso podría caer repentinamente y causar una lesión.

Primeros auxilios

1. Tenga siempre a la mano un botiquín de primeros auxilios. Reemplace inmediatamente cualquier artículo que tome del botiquín de primeros auxilios.
2. **Cuando solicite ayuda, proporcione la siguiente información:**
 - Lugar del accidente
 - Que fue lo que ocurrió
 - Número de personas lesionadas
 - Naturaleza de la lesión
 - Su nombre

DESCRIPCIÓN DE LAS PIEZAS

- **Fig.3:** 1. Cuchilla 2. Caja de engranajes 3. Mango de la unidad cortadora 4. Bloqueo del ángulo 5. Tapa 6. Cubierta de las cuchillas

MONTAJE

⚠ ADVERTENCIA: Antes de ensamblar o ajustar el equipo, apague el motor y retire la tapa de la bujía o el cartucho de batería. De lo contrario, las cuchillas u otras piezas podrían moverse y causar lesiones graves.

⚠ ADVERTENCIA: Antes de manipular o trabajar alrededor de las cuchillas, póngase guantes de protección y coloque la cubierta a las cuchillas. De lo contrario, las cuchillas podrían causar cortaduras graves en las manos descubiertas.

⚠ ADVERTENCIA: Cuando ensamble o ajuste el equipo, déjelo siempre en el suelo. El ensamble o ajuste del equipo en una posición vertical podría ocasionar lesiones graves.

⚠ ADVERTENCIA: Siga las advertencias y precauciones contenidas en el capítulo "Precauciones de seguridad" y el manual de instrucciones de la unidad motorizada.

⚠ ADVERTENCIA: Antes de operar el equipo, asegúrese de que la palanca de bloqueo esté apretada.

Instalación del accesorio en una unidad motorizada

Para instalar el accesorio en una unidad motorizada, siga los pasos a continuación.

1. Asegúrese de que la palanca de bloqueo no esté apretada.
 2. Alinee el pasador con la marca de flecha.
 3. Inserte el eje en el eje de transmisión de la unidad motorizada hasta que la línea de posición y el botón de liberación aparezcan.
 4. Apriete la palanca de bloqueo con firmeza tal como se muestra.
- **Fig.4:** 1. Palanca de bloqueo 2. Botón de liberación 3. Marca de flecha 4. Pasador 5. Línea de posición

Para extraer el accesorio, afloje la palanca de bloqueo girándola en la dirección opuesta, luego oprima el botón de bloqueo y retire el eje.

AVISO: No apriete la palanca de bloqueo sin que el eje del equipo esté insertado. De lo contrario, la palanca de bloqueo puede apretar demasiado la entrada del eje de transmisión y podría dañarla.

Ajuste del ángulo de corte

⚠PRECAUCIÓN: Cuando ajuste el ángulo de corte, apague siempre el motor y retire el cartucho de batería y luego coloque la recortadora a ras de piso de manera horizontal sobre el suelo.

⚠PRECAUCIÓN: No ajuste el ángulo de corte cuando la recortadora a ras de piso esté en posición vertical.

⚠PRECAUCIÓN: Asegure siempre las cuchillas con la cubierta de las cuchillas suministrada antes de ajustar el ángulo de corte.

⚠PRECAUCIÓN: Utilice siempre el mango de la unidad cortadora cuando ajuste el ángulo de corte. El agarrar la cuchilla podría ocasionar lesiones personales.

Sostenga el mango de la unidad cortadora y desplace la cuchilla al ángulo deseado mientras jala el bloqueo del ángulo. El ángulo de corte se puede ajustar en el rango tal como se ilustra en la figura.

► **Fig.5:** 1. Bloqueo del ángulo 2. Mango de la unidad cortadora

NOTA: La unidad cortadora se asegura solamente con ciertos ángulos a un costado de la ranura en la unidad. Asegúrese de que la unidad cortadora encaje debidamente. Si el ángulo no es apropiado, el embrague se corta y la herramienta no funciona.

Si la unidad cortadora está suelta, el perno (el eje de ajuste del ángulo) deberá apretarse.

Coloque la llave de tubo y la llave hexagonal en el perno. Ajuste el nivel de apriete de la unidad cortadora girando la llave hexagonal y luego asegure el perno girando la llave de tubo.

► **Fig.6:** 1. Llave de tubo 2. Perno 3. Llave hexagonal

NOTA: No asegure la unidad cortadora apretando demasiado. El ángulo de la unidad cortadora no podrá cambiarse si ésta está demasiado apretada.

OPERACIÓN

⚠ADVERTENCIA: Si las cuchillas se mueven al ralentí, reduzca la velocidad de ralentí del motor. De lo contrario, no podrá detener las cuchillas con el acelerador apagado y esto podría causar lesiones graves.

⚠ADVERTENCIA: Siga las advertencias y precauciones contenidas en el capítulo "INSTRUCCIONES IMPORTANTES DE SEGURIDAD" y el manual de instrucciones de la unidad motorizada.

Poda de césped

Cuando poda césped, siga los pasos a continuación.

1. Jale completamente la palanca del acelerador.
2. Coloque las cuchillas sobre el césped de manera que queden paralelas al suelo.
3. Poda el césped con un movimiento de vaivén de derecha a izquierda.

► **Fig.7**

Recorte de setos

Cuando recorte setos verticalmente, siga los pasos a continuación.

1. Jale completamente la palanca del acelerador.
2. Coloque las cuchillas sobre el seto de manera que queden paralelos entre sí.
3. Recorte el seto con un movimiento de vaivén de abajo hacia arriba.

► **Fig.8**

Cuando recorte setos horizontalmente, siga los pasos a continuación.

1. Jale completamente la palanca del acelerador.
2. Coloque las cuchillas sobre el seto a un ángulo de 15° a 30°.

► **Fig.9**

3. Recorte el seto con un movimiento de vaivén de derecha a izquierda.

► **Fig.10**

MANTENIMIENTO

⚠ADVERTENCIA: Antes de inspeccionar o dar mantenimiento al equipo, apague el motor y retire la tapa de la bujía o el cartucho de batería. De lo contrario, las cuchillas u otras piezas podrían moverse y causar lesiones graves.

⚠ADVERTENCIA: Antes de manipular o trabajar alrededor de las cuchillas, póngase guantes de protección y coloque la cubierta a las cuchillas. Durante el ensamble o ajuste, sus dedos podrían entrar en contacto con las cuchillas ocasionando lesiones graves.

⚠ADVERTENCIA: Cuando inspeccione o dé mantenimiento al equipo, deje siempre el equipo en el suelo. El ensamble o ajuste del equipo en una posición vertical podría ocasionar lesiones graves.

⚠ADVERTENCIA: Siga las advertencias y precauciones contenidas en el capítulo "INSTRUCCIONES IMPORTANTES DE SEGURIDAD" y el manual de instrucciones de la unidad motorizada.

Inspección de las cuchillas

Revise diariamente las cuchillas para ver si hay daños, grietas o bordes desafilados. Solicite a nuestro centro de servicio autorizado que reemplace las cuchillas dañadas o afile los bordes desafilados.

Ajuste de la holgura entre las cuchillas

Las cuchillas superiores/inferiores se desgastan gradualmente después de las operaciones. Si no logra obtener un corte limpio aun cuando las cuchillas estén suficientemente afiladas, ajuste la holgura de la siguiente manera.

El nivel de apriete del perno hexagonal determina la holgura entre las cuchillas. La tuerca sostiene el perno hexagonal con cierto nivel de apriete. Demasiada holgura causa un corte desafilado, mientras que muy poca holgura genera calor innecesario y un desgaste más rápido de las cuchillas.

1. Afloje las tuercas con una llave.
2. Apriete ligeramente los pernos hexagonales hasta que se detengan. Y luego vuélvalos a apretar entre un cuarto y media vuelta cada uno para obtener la holgura necesaria.
3. Sujete los pernos hexagonales y apriete las tuercas.
4. Aplique un aceite ligero sobre la superficie de fricción de las cuchillas.
5. Ponga en marcha el motor y active y desactive el acelerador durante un minuto.
6. Mida cuánto tiempo toma para que las cuchillas se detengan después de soltar el acelerador. Si toma dos segundos o más, apague el motor y repita los pasos 1 a 6.
7. Apague el motor y toque la superficie de las cuchillas. Si no están demasiado calientes al tocarlas, ha realizado el ajuste adecuado. Si están demasiado calientes al tocarlas, desenrosque un poco los pernos hexagonales y repita los pasos 5 a 7.

► **Fig.11:** 1. Tuerca 2. Cuchilla superior 3. Cuchilla inferior 4. Placa 5. Perno hexagonal

Lubricación de las piezas móviles

AVISO: Siga la instrucción sobre la frecuencia y cantidad de grasa suministrada. De lo contrario, una lubricación insuficiente podría dañar las piezas móviles.

► **Fig.12**

Caja de engranajes:

⚠PRECAUCIÓN: No aplique la grasa cuando la caja de engranajes esté caliente. Una caja de engranajes caliente puede provocar lesiones por quemaduras.

Aplique grasa cada 25 horas de trabajo.

1. El orificio para el engrasado está ubicado debajo del perno. Retire el perno para lubricar.
2. Agregue aprox. 3 g (4 cc) de lubricante en el punto A de la caja de engranajes y 5 g (7 cc) de lubricante en el punto B respectivamente vía el orificio para el engrasado.
3. Regrese a su lugar el perno después de lubricar.

► **Fig.13:** 1. Orificio para el engrasado

NOTA: Después de rellenar con la cantidad de grasa correcta, un poco de grasa saldrá de la base de la cuchilla durante la primera operación.

Eje de transmisión:

Aplique grasa cada 25 horas de trabajo.

► Fig.14

Inspección general

- Apriete los pernos, tuercas y tornillos flojos.
- Verifique que no haya piezas o cuchillas dañadas. Solicite su reemplazo a nuestro centro de servicio autorizado en caso necesario.

Almacenamiento

⚠ADVERTENCIA: Siga las advertencias y precauciones contenidas en el capítulo “INSTRUCCIONES IMPORTANTES DE SEGURIDAD” y el manual de instrucciones de la unidad motorizada.

Cuando almacene el accesorio, retírelo siempre de la unidad motorizada.

1. Gire la palanca de bloqueo hacia la dirección en la figura y jale el accesorio mientras presiona el botón de liberación.

► Fig.15: 1. Palanca de bloqueo 2. Botón de liberación 3. Accesorio

2. Coloque la cubierta de las cuchillas. Sostenga el mango de la unidad cortadora y doble la cuchilla tal como se muestra mientras jala el bloqueo del ángulo.

► Fig.16: 1. Bloqueo del ángulo 2. Mango de la unidad cortadora

3. Coloque la tapa en el extremo del eje.

► Fig.17

INTERVALO DE MANTENIMIENTO

		Antes de la operación	Diariamente (10 h)	25 h	En caso necesario
Toda la unidad	Inspeccionar visualmente en busca de piezas dañadas	○	-	-	-
Todos los tornillos y tuercas de fijación	Apretar	○	-	-	-
Cuchillas	Inspeccionar en busca de daños, grietas o bordes desafilados	-	○	-	-
	Ajustar la holgura	-	-	-	○
Caja de engranajes	Suministrar grasa	-	-	○	-
Eje de transmisión	Suministrar grasa	-	-	○	-
Unidad motorizada	Consultar el manual de instrucciones de la unidad motorizada				

RESOLUCIÓN DE PROBLEMAS

Estado de la anomalía	Causa probable (avería)	Remedio
El motor no arranca.	Consultar el manual de instrucciones de la unidad motorizada.	Consultar el manual de instrucciones de la unidad motorizada.
El motor se detiene al poco tiempo de arrancarlo.	Consultar el manual de instrucciones de la unidad motorizada.	Consultar el manual de instrucciones de la unidad motorizada.
La velocidad máxima está limitada.	Consultar el manual de instrucciones de la unidad motorizada.	Consultar el manual de instrucciones de la unidad motorizada.
Las cuchillas no se mueven. ⇒ ¡Detenga el motor inmediatamente!	Ángulo inapropiado de la unidad de corte.	Asegúrese de que el bloqueo del ángulo encaje correctamente.
Las cuchillas no se mueven. ⇒ ¡Detenga el motor inmediatamente!	Hay una rama pequeña atrapada en las cuchillas.	Retire el objeto extraño.
Las cuchillas no se mueven. ⇒ ¡Detenga el motor inmediatamente!	El sistema de accionamiento no funciona correctamente.	Solicite su inspección y reparación a nuestro centro de servicio autorizado.
La unidad vibra de forma anormal. ⇒ ¡Detenga el motor inmediatamente!	El sistema de accionamiento no funciona correctamente.	Solicite su inspección y reparación a nuestro centro de servicio autorizado.
Las cuchillas no se detienen. ⇒ ¡Detenga el motor inmediatamente!	La unidad motorizada no funciona correctamente.	Consultar el manual de instrucciones de la unidad motorizada.

ACCESORIOS OPCIONALES

⚠PRECAUCIÓN: Estos accesorios o aditamentos están recomendados para utilizarse con su herramienta Makita especificada en este manual. El empleo de cualquier otro accesorio o aditamento puede conllevar el riesgo de lesiones personales. Utilice los accesorios o aditamentos solamente para su fin establecido.

Si necesita cualquier ayuda para más detalles en relación con estos accesorios, pregunte a su centro de servicio local Makita.

- Juego de cuchillas
- Juego de engrasar

NOTA: Algunos de los artículos en la lista pueden incluirse en el paquete de la herramienta como accesorios estándar. Éstos pueden variar de país a país.

ESPECIFICAÇÕES

Modelo:	EN420MP
Dimensões (C x L x A)	1.324 mm x 104 mm x 103 mm (52" x 4-1/8" x 4-1/16")
Peso líquido	2,6 kg (5,93 lbs)
Comprimento de corte efetivo	250 mm (9-7/8")
Razão de transmissão	1 : 4,78

- Em função do nosso contínuo programa de pesquisa e desenvolvimento, as especificações que constam neste manual estão sujeitas a mudanças sem aviso prévio.
- As especificações podem diferir de país para país.

Unidade motriz aprovada











AVISO: Nunca use o implemento com uma unidade motriz não aprovada. O uso de uma combinação não aprovada pode causar ferimentos sérios.

Este implemento é aprovado para ser usado somente com as seguintes unidades motrizes:

- (Cabeçote motorizado multifuncional)
EX2650LH
- (Cabeçote motorizado multifuncional a bateria)
BUX360, BUX361, BUX362, UX360D, UX361D, UX362D,
*DUX60, *XUX01, *DUX18, *XUX02, *UX01G, *GUX01
(* somente estes modelos são certificados pelo UL)

Símbolos

Os símbolos mostrados a seguir podem ser usados para o equipamento. Certifique-se de compreender o significado deles antes de usar o equipamento.

	Leia e siga o manual de instruções.
	Tenha muito cuidado e atenção!
	Proibido!
	Cuidado com linhas de eletricidade. Risco de choque elétrico.
	PERIGO - Mantenha as mãos afastadas da lâmina.
	Use luvas de proteção.
	Use capacete de segurança, protetor visual e proteção auditiva.
	Use botas resistentes com solado antiderrapante.
	Mantenha pessoas e animais na área a pelo menos 15 m da ferramenta elétrica.
	Mantenha a área de operação totalmente livre de pessoas e animais.
	Superfícies quentes - Perigo de queimaduras nos dedos ou mãos.
	Primeiros socorros

Indicação de uso

Este implemento é projetado com o propósito único de aparar arbustos, cercas vivas e gramados no solo, em conjunção com uma unidade motriz aprovada. Nunca use o implemento para outro propósito. O uso inadequado deste implemento pode causar ferimentos graves.

AVISOS DE SEGURANÇA

Avisos de segurança do aparador de cerca viva elétrico

1. **Mantenha todas as partes do corpo afastadas da lâmina. Não remova o material cortado nem segure o material a ser cortado quando as lâminas estiverem em movimento.** As lâminas continuam a se movimentar depois que o interruptor é desligado. Um instante de desatenção durante a operação do aparador de cerca viva pode resultar em ferimentos pessoais sérios.
2. **Carregue o aparador de cerca viva pela empunhadura, com a lâmina parada e tomando cuidado para não acionar nenhum interruptor liga/desliga.** O transporte correto do aparador de cerca viva reduz o risco de acioná-lo acidentalmente e dos ferimentos resultantes causados pelas lâminas.
3. **Ao transportar ou guardar o aparador de cerca viva, coloque sempre a capa das lâminas.** O manuseio correto do aparador de cerca viva reduz o risco de ferimentos causados pelas lâminas.
4. **Para remover material enroscado, ou fazer a manutenção da unidade, certifique-se de que todos os interruptores estão desligados e que a bateria foi removida ou desconectada.** O acionamento inesperado do aparador de cerca viva durante a remoção de material enroscado ou a execução de manutenção pode resultar em ferimentos graves.
5. **Segure o aparador de cerca viva somente pelas superfícies isoladas, pois a lâmina pode entrar em contato com fios ocultos.** O contato das lâminas com um fio energizado pode energizar as partes metálicas expostas do aparador de cerca viva e causar choque elétrico no operador.
6. **Mantenha todos os cabos de alimentação e outros cabos afastados da área de corte.** Cabos de alimentação e outros cabos podem ficar ocultos em cercas vivas ou arbustos e ser acidentalmente cortados pela lâmina.
7. **Não use o aparador de cerca viva em condições de mau tempo, especialmente se houver risco de relâmpagos.** Isto reduzirá o risco de ser atingido por um relâmpago.

Avisos de segurança do aparador de cerca viva de longo alcance

1. **Para reduzir o risco de eletrocussão, nunca use o aparador de cerca viva de longo alcance próximo a linhas de energia elétrica.** O contato com linhas elétricas, ou o uso próximo a elas, pode provocar ferimentos sérios ou choques elétricos fatais.
2. **Use ambas as mãos ao operar o aparador de cerca viva de longo alcance.** Segure o aparador de cerca viva de longo alcance com ambas as mãos para evitar a perda de controle.
3. **Use sempre proteção de cabeça ao operar o aparador de cerca viva de longo alcance em áreas acima da cabeça.** A queda de detritos pode resultar em ferimentos pessoais sérios.

INSTRUÇÕES DE SEGURANÇA IMPORTANTES

⚠️AVISO: Leia todos os avisos de segurança e instruções contidos neste folheto e no manual de instruções da unidade motriz. O não seguimento dos avisos e instruções pode resultar em choque elétrico, incêndio e/ou ferimentos graves.

⚠️AVISO: Guarde todos os avisos e instruções para referências futuras.

Os termos “aparador de grama” e “equipamento” citados nos avisos e precauções referem-se à combinação do implemento e da unidade motriz.

O termo “motor” citado nos avisos e precauções refere-se ao motor ou motor elétrico da unidade motriz.

Precauções gerais

1. Antes de ligar o aparador de grama, leia este folheto e o manual de instruções da unidade motriz para se familiarizar com o manuseio do aparador de grama.
2. Não empreste o implemento para uma pessoa que não tenha suficiente experiência ou conhecimento sobre como manusear aparadores de grama.
3. Ao emprestar o implemento para alguém, sempre inclua o manual de instruções.
4. Não permita que crianças ou jovens menores de 18 anos usem o aparador de grama. Mantenha-os afastados do aparador de grama.
5. Manuseie o aparador de grama com o maior cuidado e atenção.
6. Não opere esta unidade quando estiver cansado, doente ou sob a influência de álcool, drogas ou medicamentos.
7. Nunca tente modificar este implemento.
8. Siga os regulamentos do seu país sobre manuseio de aparadores de grama.

Equipamentos de proteção pessoal

► Fig.1

1. Use sempre calças compridas, botas, luvas e camisa de manga comprida. Não use roupas folgadas, acessórios, bermudas, sandálias, nem fique descalço. Prenda o cabelo acima da altura do ombro.
2. Use capacete de segurança, óculos de segurança e luvas de proteção para se proteger contra a projeção de fragmentos e a queda de objetos.
3. Use protetor auditiva, como abafador de ruído, para evitar perda auditiva.
4. Use roupas e sapatos adequados para garantir uma operação segura, como um avental de trabalho e sapatos resistentes e antiderrapantes. Não use roupas folgadas ou joias. Roupas folgadas, joias ou cabelos longos podem ficar presos em peças em movimento.
5. Ao tocar nas lâminas ou ajustar o ângulo da lâmina, use luvas de proteção. As lâminas podem causar cortes graves em mãos não protegidas.

Segurança da área de trabalho

⚠️AVISO: Mantenha o aparador de grama longe de linhas de eletricidade e cabos de comunicação. Tocar ou chegar perto de linhas de alta tensão com o aparador de grama pode resultar em morte ou ferimento grave. Verifique se há linhas de energia ou cercas elétricas em torno da área de trabalho antes de começar a operação.

⚠️AVISO: O uso deste produto pode gerar pó que contém produtos químicos, os quais podem causar doenças respiratórias ou outros tipos de doenças. Alguns exemplos desses produtos químicos são os compostos encontrados em pesticidas, inseticidas, fertilizantes e herbicidas. O risco resultante dessas exposições varia conforme o quão frequente você faz esse tipo de trabalho. Para reduzir a sua exposição a esses produtos químicos: Trabalhe em uma área bem ventilada e use equipamentos de segurança aprovados, como as máscaras contra pó especialmente projetadas para filtrar partículas microscópicas.

1. Opere o aparador de grama somente em condições de boa visibilidade e à luz do dia. Não opere o aparador de grama em ambientes escuros ou com neblina.
2. Ligue e opere o motor somente em áreas externas e bem ventiladas. A operação em uma área confinada ou má ventilada pode resultar em morte causada por sufocamento ou envenenamento por monóxido de carbono.

3. Durante a operação, nunca fique em pé em uma superfície instável ou escorregadia ou em um forte declive. Durante os meses mais frios, tome cuidado com gelo e neve e sempre certifique-se de que está em posição estável.
4. Durante a operação, mantenha pessoas ou animais a pelo menos 15 m do aparador de grama. Pare o motor assim que alguém se aproximar.
5. Antes da operação, examine a área de trabalho verificando se há cercas elétricas, pedras ou outros objetos sólidos. Eles podem danificar as lâminas.

Para colocar em operação

1. Antes de montar ou ajustar o equipamento, desligue o motor e remova o cachimbo da vela de ignição ou a bateria.
2. Antes de montar as lâminas ou ajustar o ângulo de corte, coloque luvas de proteção.
3. Antes de dar a partida no motor, inspecione o equipamento para verificar se há danos, parafusos ou porcas frouxos ou montagem inadequada. Substitua as lâminas se estiverem trincadas, empenadas ou danificadas. Cheque se todos os interruptores e alavancas de controle podem ser facilmente acionados. Limpe e seque as empunhaduras.
4. Nunca tente dar a partida no motor se o equipamento estiver danificado ou não estiver totalmente montado. Do contrário, poderá resultar em ferimentos graves.
5. Antes de dar a partida no motor, verifique cuidadosamente se a lâmina não está tocando o solo, seu corpo ou outros objetos. Partir o motor com a lâmina em contato com objetos estranhos pode provocar sérios acidentes.
6. Ajuste a correia de ombro e a pega da mão de acordo com o tamanho do corpo do operador.

Operação

1. Mantenha um posicionamento apropriado das mãos, pés e da unidade durante o uso. Mantenha o equilíbrio e os pés assentados com firmeza no chão. Não se estique além do ponto de equilíbrio para alcançar pontos distantes. Mantenha todas as partes do corpo afastadas do acessório de corte e de superfícies quentes.
2. Em caso de emergência, desligue o motor imediatamente.
3. Se perceber alguma condição anormal (p. ex. ruído, vibração) durante a operação, desligue o motor. Não use o aparador de grama até que a causa seja identificada e solucionada.
4. As lâminas continuam a se mover por um curto período após você soltar o gatilho do acelerador ou desligar o motor. Não tente tocar nas lâminas imediatamente.
5. Com o motor funcionando somente em vazio, conecte a correia de ombro.
6. Use a correia de ombro durante a operação. Mantenha o aparador de grama no seu lado direito e segure-o firmemente.

► Fig.2

7. Segure a empunhadura frontal com a mão esquerda e a pega traseira com a mão direita, independente de você ser destro ou canhoto. Envolver os seus dedos completamente em torno das empunhaduras.
8. Nunca tente operar o equipamento somente com uma mão. A perda do controle pode resultar em ferimentos graves ou morte. Para reduzir o risco de ferimentos por corte, mantenha as mãos e os pés longe das lâminas.
9. Não tente alcançar locais distantes demais. Mantenha sempre seu equilíbrio e os pés firmes sobre uma superfície. Preste atenção se há obstáculos escondidos, como raízes, tocos de árvore e valetas, para evitar tropeçar. Retire ramos e outros objetos caídos no chão.
10. Nunca trabalhe em uma escada ou árvore, para evitar a perda do controle.
11. Não segure a máquina acima da altura do ombro.
12. Durante a operação, nunca bata as lâminas contra obstáculos rígidos, como pedras e metais. Tenha cuidado especial ao cortar cercas vivas perto de cercas elétricas ou que estejam encostadas em cercas elétricas. Ao trabalhar perto do solo, certifique-se de não deixar que areia, pedregulhos e pedras se insiram entre as lâminas.
13. Se as lâminas entrarem em contato com pedras ou outros objetos sólidos, pare o motor imediatamente e, depois de remover a vela de ignição ou a bateria, cheque se as lâminas foram danificadas. Troque as lâminas se estiverem danificadas.
14. Se galhos grossos ficarem presos entre as lâminas, desligue o motor imediatamente, coloque o aparador de grama no chão e, depois de remover a vela de ignição ou a bateria, remova a obstrução. Verifique se as lâminas não estão danificadas antes de usar o equipamento novamente.

15. Nunca toque ou se aproxime das lâminas enquanto elas estão em movimento. As lâminas pode facilmente cortar seus dedos. Antes de manusear as lâminas ou ajustar o ângulo da lâmina, desligue o motor e remova o cachimbo da vela de ignição ou a bateria.
16. Acelerar o motor com as lâminas bloqueadas aumenta a carga e danifica o motor e/ou embreagem.
17. Examine as lâminas de corte frequentemente durante a operação, verificando se estão trincadas ou se há fios cegos. Antes da inspeção, desligue o motor e espere até que as lâminas parem completamente. Substitua as lâminas se estiverem danificadas ou cegas, mesmo se as trincas forem somente superficiais.
18. Se o equipamento sofrer um grande impacto ou cair no chão, verifique se está em boas condições antes de continuar o trabalho. Verifique se há vazamento de combustível no sistema de combustível e se os controles e dispositivos de segurança estão funcionando adequadamente. Se houver qualquer dano ou se estiver em dúvida, envie o equipamento para inspeção e reparo no nosso centro de assistência técnica autorizada.
19. Não toque na caixa de engrenagens. A caixa de engrenagens fica quente durante a operação.
20. Descanse para evitar perda de controle causada por cansaço. Recomendamos tirar de 10 a 20 minutos de descanso a cada hora de trabalho.
21. Ao deixar o equipamento em algum lugar, mesmo que seja por um curto período, sempre desligue o motor ou remova a bateria. Se o equipamento ficar desatendido com o motor funcionando, ele pode ser usado por uma pessoa não autorizada e causar acidente grave.
22. Antes de começar a cortar, puxe totalmente a alavanca do acelerador para alcançar a velocidade máxima.
23. Verifique no manual de instruções da unidade motriz como usar adequadamente a alavanca de controle e o interruptor.
24. Durante ou depois da operação, não coloque o equipamento quente sobre grama seca ou materiais combustíveis.

Transporte

1. Antes de transportar o equipamento, desligue o motor e remova o cachimbo da vela de ignição ou a bateria. Sempre coloque a capa da lâmina para fazer o transporte.
2. Ao movimentar o equipamento, carregue-o em uma posição horizontal e segure-o pelo eixo. Mantenha o silenciador quente longe do seu corpo.
3. Ao transportar o equipamento em um veículo, prenda-o firmemente para evitar que caia para um dos lados. Do contrário, pode ocorrer derramamento de combustível e dano ao equipamento ou outros pertences.

Manutenção

1. Antes de fazer qualquer trabalho de manutenção, reparo ou limpeza no equipamento, sempre desligue o motor e remova o cachimbo da vela de ignição ou a bateria. Espere até o motor esfriar.
2. Para reduzir o risco de incêndio, nunca faça manutenção no equipamento perto de chamas.
3. Sempre use luvas de proteção ao manusear as lâminas.
4. Sempre limpe pós e sujeiras presentes no equipamento. Nunca use gasolina, benzina, tiner, álcool ou similar para fazer a limpeza. Pode resultar em descoloração, deformação ou trincas nos componentes plásticos.
5. Após cada uso, aperte todos os parafusos e porcas, exceto os parafusos de ajuste do carburador.
6. Mantenha a ferramenta de corte afiada. Se as lâminas de corte ficarem cegas e com desempenho de corte baixo, peça ao nosso centro de assistência técnica autorizada para afiar as lâminas.
7. Nunca repare lâminas empenadas ou quebradas desempenando-as ou soldando-as. Isso pode fazer com que partes das lâminas se soltem e causem ferimentos graves. Contate o nosso centro de assistência técnica autorizada para obter lâminas originais da Makita para substituição.
8. Não tente fazer qualquer manutenção ou reparo que não esteja descrito neste folheto ou no manual de instruções da unidade motriz. Para este tipo de trabalho, solicite a ajuda do nosso centro de assistência técnica autorizada.
9. Sempre use somente acessórios e peças de reposição originais da Makita. O uso de peças ou acessórios fornecidos por um terceiro pode resultar na quebra de equipamento, danos patrimoniais e/ou ferimentos graves.
10. Leve periodicamente o aparador de grama a um centro de assistência técnica autorizada para inspeção e manutenção.

Armazenamento

1. Antes de guardar o equipamento, execute uma limpeza completa e sua manutenção. Coloque a capa da lâmina.
2. Guarde o equipamento em um local seco e alto ou trancado longe do alcance de crianças.
3. Não apoie o equipamento contra algo, como uma parede. Se isso for feito, o aparador de grama poderá cair de repente e causar ferimentos.

Primeiros socorros

1. Tenha sempre um kit de primeiros socorros nas proximidades. Substitua imediatamente qualquer item retirado do kit de primeiros socorros.
2. **Ao solicitar ajuda, forneça as seguintes informações:**
 - Local do acidente
 - O que aconteceu
 - Número de pessoas feridas
 - Natureza do ferimento
 - Seu nome

DESCRIÇÃO DAS PEÇAS

► **Fig.3:** 1. Lâmina 2. Caixa de engrenagens 3. Cabo da unidade de corte 4. Trava de ângulo 5. Tampa 6. Capa da lâmina

MONTAGEM

⚠️ AVISO: Antes de montar ou ajustar o equipamento, desligue o motor e remova o cachimbo da vela de ignição ou a bateria. Do contrário, as lâminas ou outras peças podem se mover e causar ferimentos graves.

⚠️ AVISO: Para manusear ou trabalhar perto das lâminas, use luvas de proteção e coloque a capa da lâmina sobre as lâminas. Do contrário, as lâminas podem causar cortes graves em mãos não protegidas.

⚠️ AVISO: Ao montar ou ajustar o equipamento, sempre coloque-o na posição horizontal. Montar ou ajustar o equipamento em uma posição vertical pode causar ferimentos graves.

⚠️ AVISO: Siga os avisos e precauções descritos no capítulo "Precauções de segurança" e no manual de instruções da unidade motriz.

⚠️ AVISO: Antes de operar o equipamento, certifique-se de que a alavanca de travamento está apertada.

Montagem do implemento em uma unidade motriz

Para montar o implemento em uma unidade motriz, siga as etapas abaixo.

1. Certifique-se de que a alavanca de travamento não está apertada.
 2. Alinhe o pino com a marca de seta.
 3. Insira o eixo no eixo de acionamento da unidade motriz até chegar à linha de posição e o botão de liberação sair para cima.
 4. Aperte a alavanca de travamento firmemente, como mostrado.
- **Fig.4:** 1. Alavanca de travamento 2. Botão de liberação 3. Marca de seta 4. Pino 5. Linha de posição

Para remover o implemento, solte a alavanca de travamento girando-a na direção oposta, pressione o botão de trava e retire o eixo.

⚠️ OBSERVAÇÃO: Não aperte a alavanca de travamento sem o eixo do equipamento estar inserido. Do contrário, a alavanca de travamento poderá apertar demais a entrada do eixo de acionamento e danificá-lo.

Ajuste do ângulo de corte

⚠️PRECAUÇÃO: Ao ajustar o ângulo de corte, desligue sempre o motor e remova a bateria. Em seguida, coloque o aparador de grama assentado horizontalmente no chão.

⚠️PRECAUÇÃO: Não ajuste o ângulo de corte com o aparador de grama na posição vertical.

⚠️PRECAUÇÃO: Cubra sempre as lâminas com a capa da lâmina fornecida antes de ajustar o ângulo de corte.

⚠️PRECAUÇÃO: Use sempre o cabo da unidade de corte quando ajustar o ângulo de corte. Pegar o equipamento pela lâmina pode resultar em ferimentos pessoais.

Segure o cabo da unidade de corte e coloque a lâmina no ângulo desejado enquanto puxa a trava de ângulo. O ângulo de corte pode ser ajustado na faixa mostrada na figura.

► **Fig.5:** 1. Trava de ângulo 2. Cabo da unidade de corte

NOTA: A unidade de corte é fixada somente em certos ângulos no lado da ranhura da unidade. Certifique-se de que a unidade de corte esteja assentando corretamente. Se o ângulo não for apropriado, o engate é desfeito e a ferramenta não opera.

Se a unidade de corte estiver frouxa, o parafuso passante (eixo do ajuste de ângulo) precisa ser apertado.

Coloque a chave de caixa e a chave sextavada no parafuso passante. Ajuste o aperto da unidade de corte girando a chave sextavada e aperte o parafuso passante girando a chave de caixa.

► **Fig.6:** 1. Chave de caixa 2. Parafuso passante 3. Chave sextavada

NOTA: Não aperte a unidade de corte em demasia. O ângulo da unidade de corte não pode ser alterado se ela estiver muito apertada.

OPERAÇÃO

⚠️AVISO: Se as lâminas se moverem quando funcionando em vazio, diminua a velocidade em vazio do motor. Do contrário, você não conseguirá parar as lâminas com o acelerador desligado e poderá causar ferimentos graves.

⚠️AVISO: Siga os avisos e precauções descritos no capítulo "INSTRUÇÕES IMPORTANTES DE SEGURANÇA" e no manual de instruções da unidade motriz.

Corte de grama

Ao aparar grama, siga os passos abaixo.

1. Puxe a alavanca de aceleração até o fim.
2. Coloque as lâminas sobre a grama paralelamente ao solo.
3. Apare a grama com um movimento oscilante da direita para a esquerda.

► **Fig.7**

Corte de cercas vivas

Ao aparar cercas vivas verticalmente, siga os passos abaixo.

1. Puxe a alavanca de aceleração até o fim.
2. Coloque as lâminas sobre a cerca viva paralelas entre si.
3. Apare a cerca viva com um movimento oscilante de baixo para cima.

► **Fig.8**

Ao aparar cercas vivas horizontalmente, siga os passos abaixo.

1. Puxe a alavanca de aceleração até o fim.
2. Coloque as lâminas sobre a cerca viva em um ângulo de 15° a 30°.

► **Fig.9**

3. Apare a cerca viva com um movimento oscilante da direita para a esquerda.

► **Fig.10**

MANUTENÇÃO

⚠️AVISO: Antes de inspecionar ou fazer a manutenção do equipamento, desligue o motor e remova o cachimbo da vela de ignição ou a bateria. Do contrário, as lâminas ou outras peças podem se mover e causar ferimentos graves.

⚠️AVISO: Para manusear ou trabalhar perto das lâminas, use luvas de proteção e coloque a capa da lâmina sobre as lâminas. Os seus dedos podem entrar em contato com as lâminas durante a montagem ou ajuste e sofrer ferimentos graves.

⚠️AVISO: Ao inspecionar ou fazer a manutenção do equipamento, coloque sempre o equipamento na posição horizontal. Montar ou ajustar o equipamento na posição vertical pode causar ferimentos graves.

⚠️AVISO: Siga os avisos e precauções descritos no capítulo "INSTRUÇÕES IMPORTANTES DE SEGURANÇA" e no manual de instruções da unidade motriz.

Inspeção das lâminas

Verifique diariamente se as lâminas estão danificadas, trincadas ou cegas. Peça ao nosso centro de assistência técnica autorizada para substituir lâminas danificadas ou afiar lâminas cegas.

Ajuste do espaçamento da lâmina

As lâminas superiores/inferiores se desgastam gradualmente durante as operações. Se você não conseguir um corte preciso apesar de as lâminas estarem suficientemente afiadas, ajuste o espaçamento da seguinte maneira.

O aperto do parafuso passante sextavado define o espaçamento das lâminas. A porca prende o parafuso passante sextavado com um determinado aperto. Um espaçamento muito grande causa um corte cego, mas um espaçamento muito pequeno causa aquecimento desnecessário e um desgaste prematuro das lâminas.

1. Solte as porcas com uma chave.
2. Aperte os parafusos passantes sextavados levemente até eles pararem de girar. Em seguida, desaparafuse cada um deles de um quarto a meia volta para obter o espaçamento necessário.
3. Segure os parafusos passantes sextavados e aperte as porcas.
4. Aplique óleo leve na superfície de atrito das lâminas.
5. Dê a partida no motor e ative e desative o acelerador por um minuto.
6. Meça o tempo necessário para as lâminas pararem após soltar o acelerador. Se for dois segundos ou mais, desligue o motor e repita as etapas 1 a 6.
7. Desligue o motor e toque na superfície da lâmina. Se elas não estiverem muito quentes ao toque, o ajuste feito está apropriado. Se elas estiverem muito quente ao toque, desaparafuse os parafusos passantes sextavados um pouco e repita as etapas 5 a 7.

► **Fig.11:** 1. Porca 2. Lâmina superior 3. Lâmina inferior 4. Prato 5. Parafuso passante sextavado

Lubrificação de partes em movimento

OBSERVAÇÃO: Siga as instruções sobre frequência de lubrificação e quantidade de graxa necessária. Do contrário, uma lubrificação insuficiente poderá danificar as partes móveis.

► **Fig.12**

Caixa de engrenagens:

⚠️PRECAUÇÃO: Não aplique graxa se a caixa de engrenagens estiver quente. A caixa de engrenagens quente pode provocar queimaduras.

Aplique graxa a cada 25 horas de trabalho.

1. O orifício de lubrificação está localizado embaixo do parafuso passante. Remova o parafuso passante para lubrificar.
2. Adicione cerca de 3 g (4 cc) de lubrificante no ponto A da caixa de engrenagens, e 5 g (7 cc) de lubrificante no ponto B, respectivamente, através do orifício de lubrificação.
3. Recoloque o parafuso passante após a lubrificação.

► **Fig.13:** 1. Orifício de lubrificação

NOTA: Após a quantidade correta de graxa ter sido colocada, irá sair um pouco de graxa da base da lâmina durante a primeira operação.

Eixo de acionamento:

Aplique graxa a cada 25 horas de trabalho.

► Fig.14

Inspeção geral

- Aperte os parafusos passantes, porcas e parafusos que estiverem soltos.
- Cheque se há peças e lâminas danificadas. Peça ao nosso centro de assistência técnica autorizada para substituí-las se necessário.

Armazenamento

AVISO: Siga os avisos e precauções descritos no capítulo “INSTRUÇÕES IMPORTANTES DE SEGURANÇA” e no manual de instruções da unidade motriz.

Ao guardar o implemento, remova-o sempre da unidade motriz.

1. Coloque a alavanca de travamento na direção indicada na figura e puxe o implemento para fora enquanto pressiona o botão de liberação.

► Fig.15: 1. Alavanca de travamento 2. Botão de liberação 3. Implemento

2. Coloque a capa da lâmina. Segure o cabo da unidade de corte e dobre a lâmina conforme mostrado, enquanto puxa a trava de ângulo.

► Fig.16: 1. Trava de ângulo 2. Cabo da unidade de corte

3. Coloque a tampa na ponta do eixo.

► Fig.17

INTERVALO DE MANUTENÇÃO

		Antes da operação	Diária (10 h)	25 h	Se necessário
Unidade inteira	Inspeccionar visualmente se há peças danificadas	○	-	-	-
Todos os parafusos e porcas de fixação	Apertar	○	-	-	-
Lâminas	Verificar se há danos, trincas ou fio cego	-	○	-	-
	Ajustar o espaçamento	-	-	-	○
Caixa de engrenagens	Colocar graxa	-	-	○	-
Eixo de acionamento	Colocar graxa	-	-	○	-
Unidade motriz	Consulte o manual de instruções da unidade motriz				

SOLUÇÃO DE PROBLEMAS

Estado de anormalidade	Causa provável (funcionamento incorreto)	Reparação
O motor não liga.	Consulte o manual de instruções da unidade motriz.	Consulte o manual de instruções da unidade motriz.
O motor para logo após ser ligado.	Consulte o manual de instruções da unidade motriz.	Consulte o manual de instruções da unidade motriz.
A velocidade máxima é limitada.	Consulte o manual de instruções da unidade motriz.	Consulte o manual de instruções da unidade motriz.
As lâminas não se movem. ⇒ Pare o motor imediatamente!	Ângulo impróprio da unidade de corte.	Certifique-se de que a trava do ângulo está travando adequadamente.
As lâminas não se movem. ⇒ Pare o motor imediatamente!	Um graveto está preso nas lâminas.	Remova o material estranho.
As lâminas não se movem. ⇒ Pare o motor imediatamente!	O sistema de acionamento não funciona corretamente.	Peça ao nosso centro de assistência técnica autorizada para fazer a inspeção e reparo.
A unidade está vibrando de modo irregular. ⇒ Pare o motor imediatamente!	O sistema de acionamento não funciona corretamente.	Peça ao nosso centro de assistência técnica autorizada para fazer a inspeção e reparo.
As lâminas não param. ⇒ Pare o motor imediatamente!	A unidade motriz não funciona corretamente.	Consulte o manual de instruções da unidade motriz.

ACESSÓRIOS OPCIONAIS

PRECAUÇÃO: Os acessórios ou extensões especificados neste manual são recomendados para utilização com a sua ferramenta Makita. A utilização de quaisquer outros acessórios ou extensões pode causar risco de ferimentos. Utilize o acessório ou extensão apenas para o fim a que se destina.

Se necessitar de informações adicionais relativas a estes acessórios, solicite-as ao centro de assistência técnica Makita em sua região.

- Conjunto de lâminas
- Conjunto de lubrificação

NOTA: Alguns itens da lista podem estar incluídos na embalagem da ferramenta como acessórios padrão. Eles podem variar de país para país.

SPESIFIKASI

Model:	EN420MP
Dimensi (P x L x T)	1.324 mm x 104 mm x 103 mm (52" x 4-1/8" x 4-1/16")
Berat bersih	2,6 kg (5,93 pon)
Panjang pemotongan efektif	250 mm (9-7/8")
Rasio roda gigi	1 : 4,78

- Karena kesinambungan program penelitian dan pengembangan kami, spesifikasi yang disebutkan di sini dapat berubah tanpa pemberitahuan.
- Spesifikasi dapat berbeda dari satu negara ke negara lainnya.

Unit daya disetujui

⚠PERINGATAN: Jangan gunakan alat pelengkap dengan unit daya yang tidak disetujui. Kombinasi yang tidak disetujui dapat menyebabkan cedera serius.

Alat pelengkap ini disetujui hanya untuk digunakan dengan unit daya berikut:

- (Kepala Daya Multifungsi)
EX2650LH
- (Kepala Daya Tanpa Kabel Multifungsi)
BUX360, BUX361, BUX362, UX360D, UX361D, UX362D,
*DUX60, *XUX01, *DUX18, *XUX02, *UX01G, *GUX01 (*Hanya model-model tersebut yang Disertifikasi oleh UL)

Simbol

Berikut ini adalah simbol-simbol yang dapat digunakan pada peralatan ini. Pastikan Anda memahami arti masing-masing simbol sebelum menggunakan peralatan.

	Baca dan ikuti instruksi buku petunjuk ini.
	Berhati-hatilah dan pusatkan perhatian!
	Dilarang!
	Hati-hati terhadap saluran listrik. Risiko terkena sengatan listrik.
	BAHAYA - Jauhkan tangan dari mata pisau.
	Gunakan sarung tangan pelindung.
	Gunakan helm pelindung, serta pelindung mata dan telinga.
	Gunakan sepatu bot yang kuat dengan sol yang tidak licin.
	Jauhkan penonton dan binatang setidaknya 15 m dari alat listrik.
	Jauhkan daerah operasi bebas dari semua orang dan hewan peliharaan.
	Permukaan panas - Dapat menimbulkan luka bakar pada jari atau tangan.
	P3K

Penggunaan

Perangkat tambahan ini dirancang hanya untuk memotong semak, pagar tanaman, dan rumput yang berada di atas permukaan tanah bersama unit daya yang disetujui. Jangan pernah gunakan perangkat tambahan ini untuk tujuan lain. Penyalahgunaan perangkat tambahan dapat menyebabkan cedera yang berat.

PERINGATAN KESELAMATAN

Peringatan keselamatan alat pemotong tanaman

1. **Jauhkan semua bagian tubuh dari mata pisau. Jangan lepaskan material yang terpotong atau menahan material yang akan dipotong saat mata pisau bergerak.** Mata pisau terus bergerak setelah sakelar dimatikan. Kurangnya perhatian saat mengoperasikan alat pemotong tanaman dapat menyebabkan cedera fisik serius.
2. **Bawa alat pemotong tanaman dengan gagangnya dengan mata pisau yang sudah berhenti dan hati-hati untuk tidak mengoperasikan sakelar daya apa pun.** Membawa alat pemotong tanaman dengan benar akan mengurangi risiko awal yang tidak disengaja dan cedera fisik yang diakibatkan oleh mata pisau.
3. **Saat memindahkan atau menyimpan alat pemotong tanaman, selalu pasang penutup mata pisau.** Penanganan alat pemotong tanaman dengan benar akan mengurangi risiko cedera fisik yang diakibatkan oleh mata pisau.
4. **Saat membersihkan material yang macet atau memperbaiki unit, pastikan semua sakelar daya mati dan baterai dilepas atau diputus sambungannya.** Penggerakan tak terduga dari alat pemotong tanaman saat membersihkan material yang macet atau saat memperbaiki unit dapat mengakibatkan cedera fisik yang serius.
5. **Pegang alat pemotong tanaman hanya dengan permukaan cengkeram yang terisolasi, karena mata pisau dapat menyentuh kabel yang tersembunyi.** Mata pisau yang menyentuh kawat "teraliri listrik" dapat membuat bagian logam yang terpapar dari alat pemotong tanaman "teraliri listrik" dan dapat memberikan kejutan listrik pada operator.
6. **Jauhkan semua kabel daya dan kabel dari area pemotongan.** Kabel atau kabel listrik dapat disembunyikan di pagar atau semak-semak dan dapat terpotong secara tidak sengaja oleh mata pisau.
7. **Jangan menggunakan alat pemotong tanaman dalam kondisi cuaca buruk, khususnya ketika ada risiko petir.** Hal ini mengurangi risiko tersambar petir.

Peringatan keamanan alat pemotong tanaman dengan perpanjangan jangkauan

1. **Untuk mengurangi risiko tersengat listrik, jangan pernah gunakan alat pemotong tanaman jangkauan panjang di dekat saluran listrik apa pun.** Kontak dengan atau menggunakan dekat saluran listrik dapat menyebabkan cedera serius atau sengatan listrik yang mengakibatkan kematian.
2. **Selalu gunakan dua tangan saat mengoperasikan alat pemotong tanaman dengan perpanjangan jangkauan.** Pegang alat pemotong tanaman dengan perpanjangan jangkauan menggunakan kedua tangan untuk menghindari hilangnya kendali.
3. **Selalu gunakan pelindung kepala saat mengoperasikan alat pemotong tanaman dengan perpanjangan jangkauan di atas kepala.** Serpihan yang jatuh dapat mengakibatkan cedera serius.

PETUNJUK KESELAMATAN PENTING

⚠️PERINGATAN: Baca semua peringatan keamanan dan semua petunjuk dalam buku ini dan instruksi buku petunjuk dari unit daya. Kelalaian mematuhi peringatan dan petunjuk dapat menyebabkan sengatan listrik, kebakaran dan/atau cedera yang berat.

⚠️PERINGATAN: Simpanlah semua peringatan dan petunjuk untuk acuan di masa depan.

Istilah “mesin pemotong” dan “peralatan” di dalam peringatan dan tindakan pencegahan mengacu pada kombinasi antara alat pelengkap dan unit daya.

Istilah “motor” di dalam peringatan dan tindakan pencegahan mengacu pada mesin atau motor elektrik unit daya.

Tindakan pencegahan umum

1. Sebelum menyalakan mesin pemotong, baca buku ini dan panduan unit daya agar lebih tahu dengan penanganan mesin pemotong.
2. Jangan meminjamkan perangkat tambahan kepada orang yang kurang berpengalaman atau tidak tahu mengenai cara untuk menangani mesin pemotong.
3. Ketika meminjamkan alat pelengkap, selalu sertakan buku panduan ini.
4. Jangan biarkan anak kecil atau anak di bawah umur 18 tahun untuk menggunakan mesin pemotong. Jauhkan mereka dari mesin pemotong.
5. Perlakukan mesin pemotong dengan teliti dan penuh perhatian.
6. Jangan operasikan unit ini ketika Anda lelah, sakit atau berada dalam pengaruh alkohol, obat terlarang, atau obat-obatan.
7. Jangan pernah mencoba untuk mengubah alat pelengkap.
8. Patuhi peraturan mengenai penggunaan mesin pemotong di negara Anda.

Alat pelindung diri

► Gbr.1

1. Selalu kenakan celana panjang, sepatu bot, sarung tangan, dan pakaian lengan panjang. Jangan kenakan pakaian yang longgar, perhiasan, celana pendek, sandal, atau tanpa alas kaki. Amankan rambut agar berada di atas bahu.
2. Gunakan helm pengaman, kacamata pelindung, dan sarung tangan untuk melindungi diri dari serpihan yang terbang atau benda jatuh.
3. Gunakan pelindung telinga seperti sarung telinga untuk mencegah gangguan pendengaran.
4. Gunakan pakaian dan sepatu yang sesuai untuk penggunaan yang aman, seperti baju terusan kerja dan sepatu yang kuat, tidak licin. Jangan memakai pakaian yang kedodoran atau perhiasan. Pakaian kedodoran, perhiasan, atau rambut panjang dapat tersangkut pada bagian yang bergerak.
5. Ketika menyentuh atau mengarahkan mata pisau, pakailah sarung tangan. Mata pisau dapat melukai tangan kosong dengan parah.

Keselamatan tempat kerja

⚠️PERINGATAN: Jauhkan mesin pemotong dari saluran listrik dan kabel komunikasi. Menyentuh atau mendekati saluran bertegangan tinggi menggunakan mesin pemotong dapat menyebabkan kematian atau cedera berat. Perhatikan saluran listrik dan pagar listrik di sekitar area kerja sebelum memulai operasi.

⚠️PERINGATAN: Menggunakan produk ini dapat menghasilkan debu yang mengandung bahan kimia yang dapat menyebabkan gangguan saluran pernapasan atau penyakit lain. Beberapa contoh dari bahan kimia ini adalah senyawa yang ditemukan di dalam pestisida, insektisida, pupuk, dan herbisida. Risiko yang Anda alami dari paparan tersebut bervariasi, tergantung seberapa sering Anda melakukan jenis pekerjaan ini. Untuk mengurangi paparan dari bahan kimia tersebut: bekerja di area yang berventilasi baik dan bekerja menggunakan peralatan keselamatan yang dianjurkan, seperti masker debu yang khusus dirancang untuk menyaring partikel mikroskopis.

1. Gunakan mesin pemotong dalam jarak penglihatan yang bagus dan pada siang hari. Jangan gunakan mesin pemotong dalam keadaan gelap atau berkabut.
2. Nyalakan dan operasikan mesin di luar ruangan dalam area berventilasi baik. Penggunaan dalam ruang tertutup atau ruang berventilasi buruk dapat mengakibatkan kematian dikarenakan kekurangan napas atau keracunan karbon monoksida.

3. Saat pengoperasian, jangan berdiri di atas permukaan yang tidak stabil, permukaan yang licin, atau lereng yang curam. Saat musim dingin, hati-hati dengan es dan salju dan selalu pastikan pijakan terjamin.
4. Saat pengoperasian, jauhkan orang lain atau binatang setidaknya 15 m dari mesin pemotong. Hentikan mesin saat seseorang mendekat.
5. Sebelum pengoperasian, periksa area kerja untuk pagar kawat, batu, atau objek keras lainnya. Itu semua dapat merusak mata pisau.

Memulai pengoperasian

1. Sebelum memasang atau menyatel peralatan, matikan mesin dan lepaskan tutup busi atau kartrid baterai.
2. Sebelum memasang mata pisau atau mengarahkan sudut potong, pakailah sarung tangan.
3. Sebelum menyalakan mesin, periksa peralatan untuk kerusakan, baut/mur yang longgar, atau pemasangan yang kurang tepat. Ganti jika mata pisau patah, bengkok, atau rusak. Periksa semua tuas kontrol dan tombol untuk memudahkan pekerjaan. Bersihkan dan keringkan gagang.
4. Jangan pernah mencoba menyalakan mesin jika peralatan rusak atau belum terpasang sempurna. Jika tidak cedera berat mungkin terjadi.
5. Sebelum menyalakan mesin, pastikan bahwa mata pisau tidak menyentuh permukaan tanah, tubuh Anda, atau benda lain. Menyalakan mesin dengan mata pisau yang menyentuh benda asing dapat menyebabkan kecelakaan yang serius.
6. Atur pundak dan pegangan tangan agar pas dengan ukuran badan pengguna.

Penggunaan

1. Jaga tangan, kaki, dan unit tetap berada dalam posisi yang sesuai selama digunakan. Jaga pijakan dan keseimbangan agar tetap kuat. Jangan berusaha melampaui batas yang telah ditentukan. Jauhkan anggota tubuh Anda dari alat tambahan pemotongan dan permukaan yang panas.
2. Bila keadaan darurat, segera matikan mesin.
3. Jika Anda merasakan hal yang tidak biasa (misalnya suara, getaran) saat digunakan, matikan mesin. Jangan gunakan mesin pemotong hingga penyebabnya diketahui atau diselesaikan.
4. Mata pisau tetap bergerak sesaat setelah picu trotel dilepas atau mesin dimatikan. Jangan terburu-buru menyentuh mata pisau.
5. Dengan mesin yang menyala namun tidak bergerak, pasang harness bahu.
6. Saat digunakan, gunakan harness bahu. Tahan mesin pemotong di sebelah kanan Anda.

► Gbr.2

7. Pegang bagian depan gagang dengan tangan kiri dan pegangan belakang dengan tangan kanan, entah Anda kidal atau tidak. Belitkan jari-jari tangan Anda pada pegangan.
8. Jangan pernah mencoba menggunakan peralatan dengan satu tangan. Kehilangan kendali dapat mengakibatkan cedera yang berat. Untuk mengurangi risiko terpotong, jauhkan tangan dan kaki Anda dari mata pisau.
9. Jangan meraih terlalu jauh. Jagalah pijakan dan keseimbangan sepanjang waktu. Perhatikan penghalang yang terpendam seperti tunggul, akar pohon, dan parit untuk menghindari tersandung. Bersihkan ranting-ranting yang jatuh dan objek lainnya.
10. Jangan pernah bekerja di atas tangga atau pohon untuk menghindari kehilangan kendali.
11. Jangan memegang mesin di atas tinggi pundak.
12. Saat digunakan, jangan pernah memukulkan mata pisau ke penghalang yang keras seperti batu dan baja. Hati-hati terutama ketika memotong pagar yang bersebelahan atau melawan pagar kawat. Ketika bekerja dekat dengan tanah, pastikan tidak ada pasir, kerikil, atau batu yang tersangkut di antara mata pisau.
13. Apabila mata pisau mengalami benturan dengan batu atau benda keras lainnya, segera matikan mesin dan periksa mata pisau untuk kerusakan setelah melepas busi atau kartrid baterai. Ganti mata pisau jika rusak.
14. Apabila ranting tebal tersangkut di mata pisau, segera matikan mesin, letakkan mesin pemotong lalu lepaskan benda yang menghalangi tersebut setelah melepas busi atau kartrid baterai. Periksa mata pisau akan adanya kerusakan sebelum menggunakan peralatan kembali.
15. Jangan pernah menyentuh atau mendekati mata pisau ketika bergerak. Mata pisau dapat dengan mudah memotong jari Anda. Saat memasang atau menyatel sudut mata pisau, matikan mesin dan lepaskan tutup busi atau kartrid baterai.
16. Menjalankan mesin dengan mata pisau yang terhalang meningkatkan beban dan akan merusak mesin dan/atau kopleng.

17. Periksa mata pisau secara teratur saat pemakaian untuk retak atau tepi yang tumpul. Sebelum pemeriksaan, matikan motor dan tunggu hingga pisau berhenti sepenuhnya. Segera ganti mata pisau yang rusak atau tumpul, meskipun hanya retakan kecil.
18. Apabila peralatan terbentur keras atau terjatuh, periksa keadaannya sebelum melanjutkan bekerja. Periksa sistem bahan bakar untuk kebocoran bahan bakar, kontrol dan alat pengaman untuk kerusakan. Jika ada kerusakan atau keraguan, tanyakan pusat layanan resmi kami untuk pemeriksaan dan perbaikan.
19. Jangan sentuh kotak roda gigi. Kotak roda gigi menjadi panas sewaktu digunakan.
20. Beristirahatlah untuk mencegah hilangnya kontrol dikarenakan kelelahan. Kami menyarankan untuk beristirahat 10 sampai 20 menit tiap jam.
21. Ketika Anda meninggalkan peralatan, meskipun untuk waktu yang sebentar, selalu matikan mesin atau lepaskan kartrid baterai. Peralatan tanpa pengawasan dengan mesin yang hidup dapat digunakan oleh orang yang tidak berhak dan menyebabkan kecelakaan serius.
22. Sebelum memotong, tarik tuas trotel penuh untuk mencapai kecepatan maksimum.
23. Ikuti instruksi manual dari unit daya untuk penggunaan yang tepat dari tuas kontrol dan sakelar.
24. Selama atau setelah operasi, jangan meletakkan peralatan panas ke rumput kering atau bahan yang mudah terbakar.

Pemindahan

1. Sebelum memindahkan peralatan, matikan mesin dan lepaskan tutup busi atau kartrid baterai. Selalu pasang penutup pisau selama dipindahkan.
2. Ketika membawa peralatan, bawalah dengan posisi horizontal dengan memegang porosnya. Jauhkan knalpot panas dari badan Anda.
3. Ketika memindahkan peralatan dengan kendaraan, pasang dengan aman untuk menghindari terbalik. Jika tidak dapat terjadi bahan bakar tumpah dan kerusakan pada peralatan dan muatan lainnya.

Pemeliharaan

1. Sebelum melakukan pemeliharaan atau memperbaiki atau membersihkan peralatan, matikan mesin dan lepaskan tutup busi atau kartrid baterai. Tunggu hingga mesin dingin.
2. Untuk mengurangi risiko kebakaran, jangan pernah perbaiki peralatan di sekitar api.
3. Selalu kenakan sarung tangan saat menangani pisau.
4. Selalu bersihkan debu dan lumpur dari peralatan. Jangan sekali-kali menggunakan bensin, tiner, alkohol, atau bahan sejenisnya untuk membersihkan. Perubahan warna, perubahan bentuk, atau keretakan komponen plastik dapat terjadi.
5. Setelah setiap penggunaan, kencangkan semua baut dan mur, kecuali baut penyetelan karburator.
6. Jaga alat pemotong tetap tajam. Jika pisau pemotong telah menjadi tumpul dan kinerja pemotongan buruk, mintalah pusat layanan resmi kami untuk mempertajam pisau.
7. Jangan pernah memperbaiki pisau bengkok atau rusak dengan meluruskan atau mengelasnya. Hal itu dapat menyebabkan bagian pisau copot dan mengakibatkan cedera serius. Hubungi pusat layanan resmi kami untuk mengganti dengan pisau asli Makita.
8. Jangan mencoba melakukan perawatan atau perbaikan apa pun yang tidak dijelaskan dalam buku ini atau instruksi manual dari unit daya. Mintalah kepada pusat layanan resmi untuk pekerjaan ini.
9. Selalu gunakan suku cadang dan aksesori asli Makita. Menggunakan bagian atau aksesori yang disediakan oleh pihak ketiga dapat mengakibatkan kerusakan peralatan, kerusakan barang, dan/atau cedera serius.
10. Mintalah bengkel resmi kami untuk memeriksa dan merawat mesin pemotong secara teratur.

Penyimpanan

1. Sebelum menyimpan peralatan, lakukan pembersihan dan pemeliharaan penuh. Pasang penutup pisau.
2. Simpan peralatan di tempat yang kering dan tinggi atau tempat terkunci yang jauh dari jangkauan anak kecil.
3. Jangan sandarkan peralatan pada sesuatu, seperti tembok. Bila tidak, mesin pemotong mungkin jatuh serta menyebabkan cedera.

P3K

1. Selalu sediakan kotak P3K di dekat Anda. Segera ganti setiap item yang diambil dari kotak P3K.
2. **Ketika meminta bantuan, berikan informasi berikut:**
 - Tempat terjadinya kecelakaan
 - Apa yang terjadi
 - Jumlah orang yang terluka
 - Sifat kecelakaan
 - Nama Anda

DESKRIPSI BAGIAN-BAGIAN MESIN

- **Gbr.3:** 1. Mata pisau 2. Kotak roda gigi 3. Pegangan pemotong 4. Pengunci sudut 5. Tutup 6. Tutup mata pisau

PERAKITAN

⚠️PERINGATAN: Sebelum memasang atau menyetel peralatan, matikan mesin dan lepaskan tutup busi atau kartrid baterai. Jika tidak pisau atau bagian lain mungkin bergerak dan menyebabkan cedera serius.

⚠️PERINGATAN: Sebelum memegang atau menggunakan pisau, gunakan sarung tangan dan pasang penutup pisau. Jika tidak mata pisau dapat memotong tangan kosong sekaligus.

⚠️PERINGATAN: Ketika memasang dan menyetel peralatan, selalu letakkan di bawah. Memasang dan menyetel peralatan pada posisi tegak lurus dapat mengakibatkan cedera berat.

⚠️PERINGATAN: Ikuti peringatan dan tindakan pencegahan pada bagian "Tindakan pencegahan untuk keamanan" dan buku panduan unit daya.

⚠️PERINGATAN: Sebelum mengoperasikan peralatan, pastikan bahwa tuas kunci dikencangkan.

Memasang alat pelengkap ke unit daya

Untuk memasang alat pelengkap ke unit daya, ikuti langkah berikut.

1. Pastikan tuas pengunci tidak dikencangkan.
 2. Sejajarkan pasak dengan tanda panah.
 3. Masukkan poros pada poros unit daya sampai garis posisi dan tombol pelepas menyembul.
 4. Kencangkan tuas pengunci dengan kuat seperti petunjuk.
- **Gbr.4:** 1. Tuas pengunci 2. Tombol pelepas 3. Tanda panah 4. Pasak 5. Garis posisi

Untuk melepas alat pelengkap, kendurkan tuas pengunci dengan memutar tuas pengunci pada arah sebaliknya, lalu tekan tombol pengunci dan cabut porosnya.

PEMBERITAHUAN: Jangan kencangkan tuas pengunci tanpa poros alat pelengkap yang terpasang. Jika tidak tuas pengunci akan mengencangkan lubang poros terlalu kuat dan merusaknya.

Penyetelan sudut pemotongan

⚠️PERHATIAN: Saat menyetel sudut pemotongan, selalu matikan mesin serta lepaskan kartrid baterai mesin lalu letakkan mesin pemotong di atas permukaan tanah yang rata.

⚠️PERHATIAN: Jangan setel sudut pemotongan saat mesin pemotong menghadap ke atas.

⚠️PERHATIAN: Selalu amankan mata pisau menggunakan penutup yang diberikan sebelum menyetel sudut pemotongan.

⚠️PERHATIAN: Selalu pegang gagang pemotong saat menyetel sudut pemotongan. Memegang mata pisau dapat menyebabkan cedera.

Pegang gagang pemotong lalu gerakkan mata pisau ke arah yang sudut yang Anda kehendaki saat menarik pengunci sudut. Sudut pemotongan dapat disetel sesuai rentang sebagaimana ditunjukkan pada gambar.

- **Gbr.5:** 1. Pengunci sudut 2. Pegangan pemotong

CATATAN: Pemotong dikencangkan menggunakan sudut tertentu di sepanjang alur pada unit. Pastikan unit pemotong terpasang dengan benar. Apabila sudut tidak pas, kopling akan terpotong dan mesin tidak akan berjalan.

Apabila pemotong kendur, maka baut (sumbu penyetelan sudut) perlu dikencangkan.

Pasang kunci sok serta kunci L pada baut. Sesuaikan kekencangan pemotong dengan cara memutar kunci L kemudian kencangkan baut dengan cara memutar kunci sok.

► **Gbr.6:** 1. Kunci sok 2. Baut 3. Kunci L

CATATAN: Jangan memasang pemotong terlalu kencang. Sudut pemotong tidak dapat diubah apabila dipasang terlalu kencang.

PENGUNAAN

PERINGATAN: Jika pisau tidak bergerak, sesuaikan kecepatan mesin saat melambat. Jika tidak Anda tidak dapat menghentikan pisau dengan trotel mati dan hal itu dapat menyebabkan cedera serius.

PERINGATAN: Ikuti peringatan dan tindakan pencegahan pada bagian "INSTRUKSI KEAMANAN PENTING" dan instruksi manual unit daya.

Penggunting rumput

Saat menggunting rumput, ikuti langkah berikut.

1. Tarik tuas trotel sepenuhnya.
 2. Pasang mata pisau sejajar dengan permukaan tanah.
 3. Gunting rumput dengan gerakan mengayun ke kanan dan ke kiri.
- **Gbr.7**

Pemangkasan pagar

Ketika memangkas pagar secara vertikal, ikuti langkah-langkah di bawah ini.

1. Tarik tuas trotel sepenuhnya.
 2. Pasang mata pisau sejajar dengan pagar.
 3. Pangkas pagar dari bawah ke atas dengan gerakan mengayun.
- **Gbr.8**

Ketika memangkas pagar secara horizontal, ikuti langkah-langkah di bawah ini.

1. Tarik tuas trotel sepenuhnya.
 2. Pasang mata pisau ke pagar dengan sudut sebesar 15° sampai 30°.
- **Gbr.9**
3. Pangkas pagar dengan gerakan mengayun ke kanan dan ke kiri.
- **Gbr.10**

PERAWATAN

PERINGATAN: Sebelum memeriksa atau merawat peralatan, matikan mesin dan lepaskan tutup busi atau kartrid baterai. Jika tidak pisau atau bagian lain mungkin bergerak dan menyebabkan cedera serius.

PERINGATAN: Sebelum memegang atau menggunakan pisau, gunakan sarung tangan dan pasang penutup pisau. Saat memasang atau menyetel, jari Anda mungkin menyentuh dengan pisau dan hal itu mungkin menyebabkan cedera serius.

PERINGATAN: Ketika memeriksa atau merawat peralatan, selalu letakkan peralatan. Memasang dan merawat peralatan pada posisi tegak lurus dapat mengakibatkan cedera berat.

PERINGATAN: Ikuti peringatan dan tindakan pencegahan pada bagian "INSTRUKSI KEAMANAN PENTING" dan instruksi manual unit daya.

Periksa mata pisau

Periksa kerusakan, keretakan, dan sisi yang tumpul pada pisau setiap hari. Mintalah pusat layanan resmi kami untuk mengganti pisau rusak atau mempertajam pisau tumpul.

Menyetel bukaan mata pisau

Bagian atas/bawah pisau akan aus secara bertahap setelah operasi. Jika Anda tidak bisa mendapatkan potongan rapi meskipun pisau cukup tajam, sesuaikan jarak celah sebagai berikut.

Kekencangan baut kepala segi enam menentukan jarak celah pisau. Mur menahan baut kepala segi enam dengan kekencangan tertentu. Jarak yang terlalu longgar menyebabkan potongan yang tumpul, namun jarak yang terlalu kencang menyebabkan panas yang tidak wajar dan akan membuat pisau cepat aus.

1. Kendurkan mur dengan kunci inggris.
 2. Kencangkan baut kepala segi enam perlahan hingga berhenti. Lalu putar setiap sekrup kembali seperempat hingga setengah putaran untuk mendapatkan jarak yang sesuai.
 3. Pegang baut kepala segi enam dan kencangkan mur.
 4. Oleskan minyak ringan di permukaan gesekan pisau.
 5. Nyalakan mesin dan operasikan trotel nyala dan mati beberapa saat.
 6. Hitung waktu yang diperlukan untuk pisau untuk berhenti setelah melepas trotel. Jika memerlukan dua detik atau lebih untuk berhenti, matikan mesin dan ulangi langkah 1 hingga 6.
 7. Matikan mesin dan sentuh permukaan pisau. Apabila tidak terlalu panas untuk disentuh, Anda telah melakukan penyetelan yang benar. Jika terlalu panas untuk disentuh, putar baut segi enam mundur sedikit dan ulangi langkah 5 hingga 7.
- **Gbr.11:** 1. Mur 2. Mata pisau atas 3. Mata pisau bawah 4. Pelat 5. Baut segi enam

Melumasi bagian yang bergerak

PEMBERITAHUAN: Ikuti petunjuk mengenai frekuensi dan jumlah gemuk yang diberikan. Jika tidak, kekurangan pelumas dapat merusak bagian yang bergerak.

► **Gbr.12**

Kotak roda gigi:

PERHATIAN: Jangan tambahkan gemuk saat kotak roda gigi dalam keadaan panas. Kotak roda gigi yang panas dapat menyebabkan luka bakar.

Oleskan gemuk setiap 25 jam kerja.

1. Lubang gemuk terdapat di bawah baut. Lepaskan baut untuk dilumasi.
 2. Tambahkan kira-kira 3 g (4 cc) pelumas pada poin A kotak roda gigi dan 5 g (7 cc) pelumas pada poin B melalui lubang gemuk secara berturut-turut.
 3. Kembalikan baut setelah dilumasi.
- **Gbr.13:** 1. Lubang gemuk

CATATAN: Setelah mengisi gemuk dengan jumlah yang benar, gemuk akan keluar sedikit dari bagian asar pisau saat digunakan pertama kali.

As roda:

Oleskan gemuk setiap 25 jam kerja.

► **Gbr.14**

Pemeriksaan menyeluruh

- Kencangkan baut, mur, dan sekrup yang kendur.
- Periksa komponen dan mata pisau yang rusak. Tanyakan pada pusat layanan resmi kami untuk mengganti jika diperlukan.

Penyimpanan

PERINGATAN: Ikuti peringatan dan tindakan pencegahan pada bagian "INSTRUKSI KEAMANAN PENTING" dan instruksi manual unit daya.

Selalu lepaskan perangkat tambahan dari catu daya saat disimpan.

1. Putar tuas pengunci ke arah yang ditunjukkan pada gambar lalu tarik perangkat tambahan saat menekan tombol pelepas.
- **Gbr.15:** 1. Tuas pengunci 2. Tombol pelepas 3. Perangkat tambahan

2. Pasang penutup mata pisau. Pegang gagang pemotong lalu tekuk mata pisau seperti yang ditunjukkan saat menarik pengunci sudut.

► **Gbr.16:** 1. Pengunci sudut 2. Pegangan pemotong

3. Pasang tutup pada ujung poros.

► **Gbr.17**

JARAK WAKTU PEMELIHARAAN

		Sebelum penggunaan	Harian (10 jam)	25 jam	Apabila dibutuhkan
Seluruh unit	Periksa secara visual bagian yang rusak	○	-	-	-
Semua sekrup dan mur terpasang	Kencangkan	○	-	-	-
Mata pisau	Periksa kerusakan, keretakan, dan sisi yang tumpul	-	○	-	-
	Setel jarak	-	-	-	○
Kotak roda gigi	Persediaan gemuk	-	-	○	-
As roda	Persediaan gemuk	-	-	○	-
Unit daya	Mengacu pada instruksi manual dan unit daya				

PEMECAHAN MASALAH

Keadaan Tidak Normal	Kemungkinan penyebab (kerusakan fungsi)	Perbaikan
Mesin tidak menyala.	Mengacu pada instruksi manual dari unit daya.	Mengacu pada instruksi manual dari unit daya.
Mesin mati sesaat setelah dinyalakan.	Mengacu pada instruksi manual dari unit daya.	Mengacu pada instruksi manual dari unit daya.
Kecepatan maksimal terbatas.	Mengacu pada instruksi manual dari unit daya.	Mengacu pada instruksi manual dari unit daya.
Mata pisau tidak bergerak. ⇒ Hentikan mesin segera!	Sudut pemotong yang tidak sesuai.	Pastikan pengunci sudut terpasang dengan benar.
Mata pisau tidak bergerak. ⇒ Hentikan mesin segera!	Ranting tersangkut pada pisau.	Singkirkan objek asing.
Mata pisau tidak bergerak. ⇒ Hentikan mesin segera!	Sistem penggerak tidak bekerja semestinya.	Tanyakan pada pusat layanan resmi kami untuk memeriksa dan memperbaikinya.
Unit bergetar tidak wajar. ⇒ Hentikan mesin segera!	Sistem penggerak tidak bekerja semestinya.	Tanyakan pada pusat layanan resmi kami untuk memeriksa dan memperbaikinya.
Mata pisau tidak berhenti. ⇒ Hentikan mesin segera!	Daya unit tidak bekerja semestinya.	Mengacu pada instruksi manual dari unit daya.

AKSESORI PILIHAN

⚠PERHATIAN: Dianjurkan untuk menggunakan aksesoris atau perangkat tambahan ini dengan mesin Makita Anda yang ditentukan dalam petunjuk ini. Penggunaan aksesoris atau perangkat tambahan lain bisa menyebabkan risiko cedera pada manusia. Hanya gunakan aksesoris atau perangkat tambahan sesuai dengan peruntukannya.

Jika Anda memerlukan bantuan lebih rinci berkenaan dengan aksesoris ini, tanyakan pada Pusat Layanan Makita terdekat.

- Set mata pisau
- Set gemuk

CATATAN: Beberapa item dalam daftar tersebut mungkin sudah termasuk dalam paket mesin sebagai aksesoris standar. Hal tersebut dapat berbeda dari satu negara ke negara lainnya.

THÔNG SỐ KỸ THUẬT

Kiểu máy:	EN420MP
Kích thước (Dài x Rộng x Cao)	1.324 mm x 104 mm x 103 mm (52" x 4-1/8" x 4-1/16")
Khối lượng tịnh	2,6 kg (5,93 lbs)
Chiều dài cắt hiệu quả	250 mm (9-7/8")
Tỷ số truyền động	1 : 4,78

- Do chương trình nghiên cứu và phát triển liên tục của chúng tôi nên các thông số kỹ thuật trong đây có thể thay đổi mà không cần thông báo trước.
- Các thông số kỹ thuật có thể thay đổi tùy theo từng quốc gia.

Thiết bị máy được chấp nhận

⚠ CẢNH BÁO: Không bao giờ sử dụng phụ tùng với thiết bị máy không được chấp nhận. Kiểu kết hợp không được chấp nhận có thể gây ra thương tích nghiêm trọng.

Phụ tùng này được chấp nhận chỉ để sử dụng với thiết bị máy (các thiết bị máy) sau đây:

- (Đầu máy đa năng)
EX2650LH
- (Đầu máy đa năng chạy pin)
BUX360, BUX361, BUX362, UX360D, UX361D, UX362D,
*DUX60, *XUX01, *DUX18, *XUX02, *UX01G, *GUX01 (*Chỉ những kiểu máy được UL chứng nhận này)

Ký hiệu

Phần dưới đây cho biết các ký hiệu có thể được dùng cho thiết bị. Đảm bảo rằng bạn hiểu rõ ý nghĩa của các ký hiệu này trước khi sử dụng.

	Đọc và làm theo tài liệu hướng dẫn.
	Hãy đặc biệt cẩn thận và chú ý!
	Bị nghiêm cấm!
	Hãy cẩn thận với các đường dây điện. Nguy cơ điện giật.
	NGUY HIỂM - Giữ tay tránh xa lưỡi cắt.
	Mang găng tay bảo hộ.
	Đội mũ bảo hộ, thiết bị bảo vệ tai và mắt.
	Mang ủng cứng có đế chống trượt.
	Giữ dụng cụ máy tránh xa những người xung quanh và động vật ít nhất 15 m.
	Giữ cho khu vực vận hành không có người và thú cưng bất kỳ.
	Bề mặt nóng - Bỏng ngón tay hoặc bàn tay.
	Sơ cấp cứu

Mục đích sử dụng

Phụ tùng này được thiết kế chỉ với mục đích xén bụi cây, hàng rào cây và cỏ trên đất cùng với thiết bị máy được phê duyệt. Không được sử dụng phụ tùng cho mục đích khác. Lạm dụng phụ tùng này có thể gây ra thương tích nghiêm trọng.

CẢNH BÁO AN TOÀN

Cảnh báo an toàn máy tưa hàng rào cầm tay hoạt động bằng động cơ điện

- Giữ tắt cả các bộ phận cơ thể tránh xa lưỡi cắt. Không gỡ vật liệu bị cắt hoặc giữ vật liệu được cắt khi các lưỡi cắt đang chuyển động.** Lưỡi cắt sẽ tiếp tục chuyển động sau khi tắt công tắt. Chỉ một khoảnh khắc không tập trung khi đang vận hành máy tưa hàng rào cầm tay hoạt động bằng động cơ điện cũng có thể dẫn đến thương tích cá nhân nghiêm trọng.
- Cầm máy tưa hàng rào cầm tay hoạt động bằng động cơ điện bằng tay cầm khi lưỡi cắt đã dừng và chú ý không vận hành bất kỳ công tắc nguồn nào.** Cầm máy tưa hàng rào cầm tay hoạt động bằng động cơ điện đúng cách sẽ làm giảm nguy cơ vô ý khởi động và thương tích cá nhân phát sinh từ lưỡi cắt.
- Khi vận chuyển hay cất giữ máy tưa hàng rào cầm tay hoạt động bằng động cơ điện, luôn lắp nắp đậy lưỡi cắt.** Xử lý máy tưa hàng rào cầm tay hoạt động bằng động cơ điện đúng cách sẽ làm giảm nguy cơ thương tích cá nhân từ lưỡi cắt.
- Khi loại bỏ vật liệu bị kẹt hoặc bảo dưỡng thiết bị, đảm bảo tắt cả công tắc nguồn đều tắt và được tháo ra hoặc ngắt kết nối bộ pin.** Vô tình vận hành máy tưa hàng rào cầm tay hoạt động bằng động cơ điện trong khi đang loại bỏ vật liệu bị kẹt hoặc bảo dưỡng có thể dẫn đến thương tích cá nhân nghiêm trọng.
- Giữ máy tưa hàng rào cầm tay hoạt động bằng động cơ điện chỉ bằng các bề mặt kẹp cách điện, vì lưỡi cắt có thể tiếp xúc với dây dẫn kín.** Lưỡi cắt tiếp xúc với dây dẫn "có điện" có thể khiến các bộ phận kim loại bị hở của máy tưa hàng rào cầm tay hoạt động bằng động cơ điện "có điện" và khiến người vận hành bị điện giật.
- Giữ tắt cả dây nguồn và cáp cách xa khỏi khu vực cắt.** Dây nguồn hoặc cáp có thể bị kẹt trong hàng rào hoặc bụi cây và vô tình bị lưỡi dao cắt trúng.
- Không sử dụng máy tưa hàng rào cầm tay hoạt động bằng động cơ điện trong điều kiện thời tiết xấu, đặc biệt là khi có nguy cơ sấm sét.** Việc này sẽ làm giảm được nguy cơ bị sét đánh.

Cảnh báo an toàn đối với máy tưa hàng rào trên cao

- Để giảm nguy cơ bị điện giật, tuyệt đối không sử dụng máy tưa hàng rào cầm tay hoạt động bằng động cơ điện trên cao ở gần bất kỳ đường dây điện nào.** Tiếp xúc hoặc sử dụng dụng cụ ở gần đường dây điện có thể sẽ gây ra thương tích nghiêm trọng hoặc bị điện giật dẫn đến tử vong.
- Luôn sử dụng cả hai tay khi vận hành máy tưa hàng rào trên cao.** Giữ máy tưa hàng rào trên cao bằng cả hai tay để tránh mất kiểm soát.
- Luôn sử dụng thiết bị bảo vệ đầu khi vận hành máy tưa hàng rào trên cao.** Các mảnh vỡ rơi xuống có thể sẽ dẫn đến thương tích cá nhân nghiêm trọng.

CÁC HƯỚNG DẪN AN TOÀN QUAN TRỌNG

▲CẢNH BÁO: Đọc tất cả các cảnh báo an toàn và tất cả các hướng dẫn trong quyển sách này cũng như trong tài liệu hướng dẫn về thiết bị máy. Việc không tuân theo các cảnh báo và hướng dẫn có thể dẫn đến điện giật, hỏa hoạn và/hoặc thương tích nghiêm trọng.

▲CẢNH BÁO: Lưu giữ tất cả cảnh báo và hướng dẫn để tham khảo sau này.

Thuật ngữ “lưới cắt tia hàng rào” và “thiết bị” trong các cảnh báo và biện pháp phòng ngừa đều quy về tổ hợp phụ tùng và thiết bị máy. Thuật ngữ “mô-tơ” trong các cảnh báo và các biện pháp phòng ngừa là nói đến động cơ hoặc mô-tơ điện của thiết bị máy.

Các biện pháp phòng ngừa chung

1. Trước khi khởi động lưới cắt tia hàng rào, vui lòng đọc sách hướng dẫn và hướng dẫn sử dụng thiết bị máy để làm quen với việc điều khiển lưới cắt tia hàng rào.
2. Không cho người thiếu kinh nghiệm hoặc kiến thức về việc điều khiển lưới cắt tia hàng rào mượn phụ tùng.
3. Khi cho mượn phụ tùng, luôn luôn kèm theo tài liệu hướng dẫn này.
4. Không cho phép trẻ em và thanh thiếu niên dưới 18 tuổi sử dụng lưới cắt tia hàng rào. Giữ chúng cách xa lưới cắt tia hàng rào.
5. Hết sức cẩn thận và chú ý khi điều khiển lưới cắt tia hàng rào.
6. Không sử dụng thiết bị này khi mệt mỏi, bệnh hoặc đang chịu ảnh hưởng của rượu, ma túy hay thuốc.
7. Không được cố cải tạo phụ tùng.
8. Tuân thủ các quy định về điều khiển lưới cắt tia hàng rào ở quốc gia của bạn.

Thiết bị bảo hộ cá nhân

► Hình 1

1. Luôn mặc quần dài, đi ủng, đeo găng tay và mặc áo dài tay. Không mặc quần áo rộng, quần sóc, đeo đồ trang sức, đi dép, hoặc đi chân trần. Buộc chặt tóc sao cho tóc cao hơn vai.
2. Đội mũ bảo hộ, kính an toàn và găng tay bảo hộ để bảo vệ bản thân khỏi các mảnh vỡ bay ra hoặc các vật rơi xuống.
3. Mang thiết bị bảo vệ tai như đồ chụp tai để tránh mất thính lực.
4. Mặc quần áo và mang giày thích hợp để vận hành an toàn, chẳng hạn như quần áo bảo hộ liền thân và ủng cứng có đế chống trượt. Không mặc quần áo rộng hay đeo đồ trang sức. Quần áo rộng, đồ trang sức hay tóc dài có thể mắc vào các bộ phận chuyển động.
5. Khi chạm vào lưới cửa hoặc điều chỉnh góc lưới cắt, phải mang găng tay bảo hộ. Để tay trần có thể bị lưới cửa cắt rất nghiêm trọng.

An toàn tại nơi làm việc

▲CẢNH BÁO: Giữ lưới cắt tia hàng rào cách xa đường dây điện hoặc cáp liên lạc. Chạm vào hoặc đến gần đường dây cao thế với lưới cắt tia hàng rào có thể dẫn đến tử vong hoặc thương tích nghiêm trọng. Xem chừng đường dây điện và hàng rào điện xung quanh khu làm việc trước khi bắt đầu vận hành.

▲CẢNH BÁO: Sử dụng sản phẩm này có thể tạo ra bụi có chứa hóa chất gây ra bệnh về đường hô hấp hoặc các bệnh khác. Một số ví dụ về các hóa chất này là các hợp chất được tìm thấy trong thuốc trừ sâu, thuốc diệt côn trùng, phân bón và thuốc diệt cỏ. Mức độ rủi ro từ việc tiếp xúc với các hóa chất này có thể khác nhau, phụ thuộc vào tần suất bạn làm loại công việc này. Để giảm tiếp xúc với những hóa chất này: làm việc ở nơi thoáng gió và làm việc với thiết bị an toàn đã được phê chuẩn, như mặt nạ chống bụi được thiết kế đặc biệt để lọc các hạt cực nhỏ.

1. Vận hành lưới cắt tia hàng rào trong tầm nhìn tốt và điều kiện ánh sáng ban ngày. Không vận hành lưới cắt tia hàng rào trong bóng tối hoặc sương mù.
2. Chỉ khởi động và vận hành động cơ ngoài trời ở nơi thoáng gió. Vận hành ở nơi thiếu gió hoặc kém thông thoáng có thể gây tử vong do nghẹt thở hoặc ngộ độc khí cacbon monoxit.
3. Trong khi vận hành, không bao giờ đứng trên bề mặt trơn trượt hoặc không bằng phẳng hoặc mặt nghiêng đứng. Vào mùa đông, hãy cẩn thận nước đá và tuyết và phải luôn đảm bảo chân được an toàn.
4. Trong khi vận hành, giữ lưới cắt tia hàng rào cách xa người xung quanh không động vật ít nhất 15 m. Dừng động cơ ngay khi ai đó đến gần.

5. Trước khi vận hành, kiểm tra hàng rào kim loại, đá, hoặc những vật cứng khác trong khu vực làm việc. Chúng có thể làm hỏng lưới cửa.

Đưa vào vận hành

1. Trước khi lắp ráp hoặc điều chỉnh thiết bị, hãy tắt mô-tơ và tháo nắp bugi hoặc hộp pin.
2. Trước khi lắp ráp lưới cửa hoặc điều chỉnh góc cắt, hãy mang găng tay bảo hộ.
3. Trước khi khởi động mô-tơ, kiểm tra xem thiết bị có hư hỏng, đai ốc/ốc vít có lỏng lẻo hoặc lắp ráp không đúng cách. Thay thế các lưới bị nứt mẻ, uốn cong, hoặc bị hư hỏng. Kiểm tra xem tất cả các cần điều khiển có hoạt động trơn tru. Lau sạch và giữ khô tay cầm.
4. Không được cố khởi động mô-tơ khi thiết bị đang hư hỏng hoặc chưa được lắp ráp đầy đủ. Nếu không có thể dẫn đến thương tích nghiêm trọng.
5. Trước khi khởi động động cơ, hãy kiểm tra cẩn thận để đảm bảo lưới xen không chạm đất, cơ thể của bạn và các vật thể khác. Khởi động động cơ với lưới xen tiếp xúc với dị vật có thể gây ra tai nạn nghiêm trọng.
6. Điều chỉnh dây nịt vai và tay cầm cho phù hợp với kích thước cơ thể người vận hành.

Vận hành

1. Duy trì vị trí của tay, chân và thiết bị phù hợp trong khi sử dụng. Luôn có chỗ tựa chân vững chắc và giữ thẳng bằng tốt. Không được với quá xa. Giữ tất cả các bộ phận của cơ thể bạn xa phụ tùng cắt và bề mặt nóng.
2. Trong trường hợp khẩn cấp, hãy tắt mô-tơ ngay lập tức.
3. Nếu bạn cảm thấy bất kỳ điều kiện không bình thường (ví dụ: tiếng ồn, rung động) trong khi vận hành, hãy tắt động cơ. Không được sử dụng lưới cắt tia hàng rào cho đến khi nguyên nhân được nhận biết và giải quyết.
4. Lưới cắt sẽ tiếp tục di chuyển một lúc sau khi nhà cần khởi động tiết lưu hoặc tắt mô-tơ. Dừng với tiếp xúc với lưới cắt.
5. Chỉ khi động cơ đang chạy ở chế độ chờ, mới được gắn dây nịt vai vào.
6. Trong khi vận hành, hãy sử dụng dây đeo vai. Giữ chặt lưới cắt tia hàng rào ở phía bên phải của bạn.

► Hình 2

7. Hãy cầm tay cầm trước bằng tay trái và tay cầm sau bằng tay phải, dù cho bạn là người thuận tay trái hay tay phải. Hãy xô các ngón tay và ngón cái của bạn xung quanh tay cầm.
8. Không được cố vận hành thiết bị bằng một tay. Mất kiểm soát có thể dẫn đến thương tích nguy hiểm hoặc chết người. Để giảm nguy cơ thương tích khi cắt, hãy để tay và chân của bạn tránh xa lưới cắt.
9. Không với quá cao. Luôn giữ thẳng bằng tốt và có chỗ để chân phù hợp. Cẩn thận với các chướng ngại vật không nhìn thấy được như gốc cây, rễ cây và các rãnh để tránh vấp ngã. Dọn sạch các nhánh cây rơi xuống và các vật khác.
10. Không được làm việc trên thang hoặc cây để tránh mất kiểm soát.
11. Không cầm máy vượt quá chiều cao của vai.
12. Trong khi vận hành, không được để lưới cắt đụng phải các chướng ngại vật cứng như đá và kim loại. Hãy đặc biệt chú ý khi cắt các hàng rào bên cạnh hoặc đối diện các hàng rào kim loại. Khi làm việc gần với mặt đất, hãy đảm bảo rằng không có cát, sạn, hoặc đá ở giữa các lưới cắt.
13. Nếu lưới cắt đụng phải đá hoặc các vật rắn khác, hãy dừng mô-tơ ngay lập tức và kiểm tra xem lưới cắt có bị hư hỏng sau khi tháo bugi hoặc hộp pin hay không. Thay thế lưới cắt nếu bị hư hỏng.
14. Nếu cành cây dày bị kẹt vào lưới xen, hãy tắt động cơ ngay lập tức, đặt lưới cắt tia hàng rào xuống và gỡ bỏ phần bị kẹt sau khi tháo bugi hoặc hộp pin. Kiểm tra xem các lưới xen có bị hỏng hay không trước khi sử dụng lại thiết bị.
15. Không được chạm hoặc lại gần các lưới cắt trong khi chúng đang di chuyển. Lưới cắt có thể dễ dàng cắt trúng ngón tay của bạn. Khi xử lý lưới cắt hoặc điều chỉnh góc cắt, dừng mô-tơ và tháo nắp bugi hoặc hộp pin.
16. Gỉa tốc mô-tơ khi các lưới cắt đã bị khóa sẽ làm tăng tải và làm hỏng mô-tơ và/hoặc bộ ly hợp.
17. Thường xuyên kiểm tra các lưới cắt trong khi vận hành xem có bị nứt hoặc bị cùn các mép không. Trước khi kiểm tra, tắt mô-tơ và đợi đến khi lưới cắt dừng hẳn. Thay thế các lưới hỏng hoặc bị cùn ngay lập tức, ngay cả khi chúng chỉ có vết nứt ở mặt ngoài.
18. Nếu thiết bị chịu lực nặng hoặc bị ngã, hãy kiểm tra tình trạng của nó trước khi tiếp tục công việc. Kiểm tra hệ thống nhiên liệu xem có bị rò rỉ nhiên liệu và các bộ phận điều khiển và thiết bị an toàn có bị trục trặc không. Nếu có bất kỳ hư hỏng hoặc nghi ngờ nào, hãy nhờ trung tâm dịch vụ được ủy quyền kiểm tra và sửa chữa.

- Không được chạm vào hộp số. Hộp số bị nóng lên trong khi vận hành.
- Hãy nghỉ ngơi để tránh mắt kiểm soát do mệt mỏi gây ra. Chúng tôi khuyến nghị nên nghỉ ngơi 10 đến 20 phút sau mỗi giờ.
- Khi không sử dụng thiết bị, ngay cả trong một thời gian rất ngắn, hãy luôn tắt động cơ và tháo hộp pin ra. Thiết bị không được giám sát khi động cơ đang chạy có thể bị người không được ủy quyền sử dụng và gây ra tai nạn nghiêm trọng.
- Trước khi cắt, kéo cần gạt ga hết cỡ để đạt được tốc độ tối đa.
- Làm theo tài liệu hướng dẫn về thiết bị máy để sử dụng cần và công tắc điều khiển đúng cách.
- Trong hoặc sau khi vận hành, không để thiết bị đang nóng lên có khô hoặc vật liệu dễ cháy.

Vận chuyển

- Trước khi vận chuyển thiết bị, hãy tắt mô-tơ và tháo nắp bugi hoặc hộp pin. Luôn gắn chặt nắp lưới cắt trong khi vận chuyển.
- Khi mang thiết bị, hãy mang theo chiều ngang bằng cách cầm lấy trục. Để ống pô đang nóng tránh xa cơ thể của bạn.
- Khi vận chuyển thiết bị bằng xe máy, hãy cố định thật chặt để tránh lật đổ. Nếu không có thể dẫn đến đổ nhiên liệu và gây hư hỏng thiết bị và các hành lý khác.

Bảo dưỡng

- Trước khi thực hiện công việc bảo dưỡng hoặc sửa chữa hay vệ sinh thiết bị, luôn tắt mô-tơ và tháo nắp bugi hoặc hộp pin ra. Đợi cho đến khi mô-tơ nguội hẳn.
- Để giảm nguy cơ cháy nổ, không bao giờ sử dụng thiết bị trong vùng lân cận nguồn lửa.
- Luôn mang găng tay bảo hộ khi xử lý lưới cắt.
- Luôn làm sạch bụi bẩn trên thiết bị. Không được phép dùng xăng, ét xăng, dung môi, cồn hoặc hóa chất tương tự cho mục đích này. Có thể xảy ra hiện tượng mất màu, biến dạng hoặc nứt vỡ của các thành phần nhựa.
- Sau khi sử dụng, vận chuyển tất cả đai ốc và ốc vít, trừ các vít điều chỉnh bộ chế hòa khí.
- Giữ cho dụng cụ luôn sắc bén. Nếu lưới cắt đã trở nên cùn và hiệu suất cắt kém, hãy nhờ trung tâm dịch vụ được ủy quyền làm sắc bén lại lưới cắt.
- Không bao giờ sửa các lưới cắt bị hỏng hoặc bị cong bằng cách nắn thẳng hoặc hàn lại. Nó có thể làm cho các bộ phận của lưới cắt rơi ra và gây ra thương tích nghiêm trọng. Hãy liên hệ với trung tâm dịch vụ được ủy quyền của Makita để thay thế chúng.
- Không được cố bảo dưỡng hay sửa chữa không được mô tả trong sách này và tài liệu hướng dẫn về thiết bị máy. Hãy nhờ trung tâm dịch vụ được ủy quyền của chúng tôi cho công việc này.
- Chỉ sử dụng phụ tùng và các bộ phận thay thế Makita chính hãng. Sử dụng phụ tùng và các bộ phận do bên thứ ba cung cấp có thể làm hư hỏng thiết bị, thiệt hại tài sản và/hoặc thương tích nghiêm trọng.
- Yêu cầu trung tâm dịch vụ ủy quyền của chúng tôi kiểm tra và bảo trì lưới cắt tia hàng rào theo thời hạn thường xuyên.

Cắt giữ

- Trước khi cắt giữ thiết bị, hãy thực hiện vệ sinh và bảo dưỡng toàn bộ. Cố định nắp lưới cắt.
- Cắt giữ thiết bị ở nơi khô thoáng, cao ráo hoặc nơi có khóa xa tầm với của trẻ em.
- Không được để thiết bị tự vào vật nào đó, chẳng hạn như bức tường. Nếu không lưới cắt tia hàng rào có thể rơi đột ngột và gây ra thương tích.

Sơ cấp cứu

- Luôn có hộp sơ cấp cứu ở bên mình. Thay thế bất kỳ bộ phận nào lấy từ hộp sơ cấp cứu.
- Khi yêu cầu giúp đỡ, cung cấp các thông tin sau:**
 - Nơi xảy ra tai nạn
 - Chuyện gì xảy ra
 - Số người bị thương
 - Tính chất của thương tích
 - Tên của bạn

MÔ TẢ CÁC BỘ PHẬN

- **Hình3:** 1. Lưới 2. Hộp chạy dao 3. Tay cầm thiết bị máy cắt 4. Khóa góc 5. Nắp 6. Vỏ lưới

LẮP RÁP

⚠ CẢNH BÁO: Trước khi lắp ráp hoặc điều chỉnh thiết bị, hãy tắt mô-tơ và tháo nắp bugi hoặc hộp pin. Nếu không các lưới cắt hoặc các bộ phận khác có thể di chuyển và gây ra thương tích nghiêm trọng.

⚠ CẢNH BÁO: Trước khi xử lý hoặc làm việc gần lưới cắt, mang găng tay bảo hộ và dùng nắp bọc lưới cắt lại. Nếu không để tay trần có thể bị lưới cửa cắt rất nghiêm trọng.

⚠ CẢNH BÁO: Khi lắp ráp hoặc điều chỉnh thiết bị, luôn đặt nó nằm xuống. Lắp ráp hoặc điều chỉnh thiết bị ở vị trí thẳng đứng có thể gây ra thương tích nghiêm trọng.

⚠ CẢNH BÁO: Thực hiện theo các cảnh báo và các biện pháp phòng ngừa trong chương “Các biện pháp phòng ngừa an toàn” và tài liệu hướng dẫn về thiết bị máy.

⚠ CẢNH BÁO: Trước khi vận hành thiết bị, hãy đảm bảo rằng cần khóa đã được vận chặt.

Gắn phụ tùng vào một thiết bị máy

Để gắn phụ tùng vào một thiết bị máy, làm theo các bước dưới đây.

- Đảm bảo rằng cần khóa không bị vận chặt.
- Căn chỉnh chốt thẳng hàng với dấu mũi tên.
- Lắp trực vào trục điều khiển của thiết bị máy cho đến khi vạch định vị và nút nhả bật lên.
- Vận chặt cần khóa lại thật chắc như sau.

- **Hình4:** 1. Cần khóa 2. Nút nhả 3. Dấu mũi tên 4. Chốt 5. Đường định vị

Để tháo phụ tùng, nới lỏng cần khóa bằng cách xoay cần khóa theo hướng ngược lại, nhấn nút khóa và rút trực ra.

CHÚ Ý: Không vận chặt tay cần khóa mà không lắp trực của thiết bị. Nếu không cần khóa có thể vận quá chặt đường vào của trục điều khiển và làm hỏng nó.

Điều chỉnh góc cắt

⚠ THẬN TRỌNG: Khi điều chỉnh góc cắt, luôn tắt động cơ và tháo hộp pin sau đó đặt ngang bằng lưới cắt tia hàng rào xuống mặt đất.

⚠ THẬN TRỌNG: Không điều chỉnh góc cắt khi lưới cắt tia hàng rào đang ở vị trí thẳng đứng.

⚠ THẬN TRỌNG: Luôn đảm bảo lưới xén có lắp vỏ lưới trước khi điều chỉnh góc cắt.

⚠ THẬN TRỌNG: Luôn sử dụng tay cầm thiết bị máy cắt khi điều chỉnh góc cắt. Nắm lấy lưới xén có thể gây ra thương tích cá nhân.

Giữ tay cầm thiết bị máy cắt và di chuyển lưới xén đến góc mong muốn trong khi thực hiện kéo khóa góc. Có thể điều chỉnh góc cắt trong biên độ như minh họa trong hình.

- **Hình5:** 1. Khóa góc 2. Tay cầm thiết bị máy cắt

LƯU Ý: Chỉ xiết chặt thiết bị máy cắt với các góc nhất định dọc theo đường rãnh trên máy. Bảo đảm thiết bị máy cắt được đặt vừa khít. Nếu góc không phù hợp, ly hợp bị cắt và dụng cụ không vận hành.

Trong trường hợp thiết bị máy cắt bị lỏng, cần vận chặt bu-lông (trục điều chỉnh góc).
Đặt chia vận đầu ống và cờ lê lục giác lên trên bu-lông. Điều chỉnh độ khít của máy cắt bằng cách xoay cờ lê lục giác và xiết chặt bu-lông bằng cách xoay chia vận đầu ống.

- **Hình6:** 1. Chia vận đầu ống 2. Bu-lông 3. Cờ lê lục giác

LƯU Ý: Không xiết máy cắt quá chặt. Không thể thay đổi góc của thiết bị máy cắt nếu nó quá chặt.

VẬN HÀNH

⚠ CẢNH BÁO: Nếu các lưới cắt ở chế độ chờ, điều chỉnh tốc độ chờ của động cơ giảm xuống. Nếu không, bạn sẽ không thể ngừng lưới cắt và bàn đạp ga có thể rơi ra ngoài, gây ra thương tích nghiêm trọng.

⚠ CẢNH BÁO: Thực hiện theo các cảnh báo và các biện pháp phòng ngừa trong chương “CÁC BIỆN PHÁP PHÒNG NGỪA AN TOÀN QUAN TRỌNG” và tài liệu hướng dẫn về thiết bị máy.

Cắt cỏ

Khi cắt cỏ, tuân thủ các bước dưới đây.

1. Kéo cần bướm ga hết cỡ.
2. Đặt lưới xén chạm xuống cỏ song song với mặt đất.
3. Cắt cỏ theo chuyển động xoay từ phải sang trái.

► Hình7

Tia hàng rào

Khi tia hàng rào theo chiều dọc, tuân thủ các bước dưới đây.

1. Kéo cần gạt ga hết cỡ.
2. Đặt lưới xén chạm xuống hàng rào sao cho song song với nhau.
3. Tia hàng rào từ dưới lên trên bằng chuyển động xoay.

► Hình8

Khi tia hàng rào theo chiều ngang, tuân thủ các bước dưới đây.

1. Kéo cần bướm ga hết cỡ.
2. Đặt lưới xén chạm xuống hàng rào với một góc từ 15° đến 30°.

► Hình9

3. Tia hàng rào bằng chuyển động xoay từ phải sang trái.

► Hình10

BẢO TRÌ

⚠ CẢNH BÁO: Trước khi kiểm tra hoặc bảo dưỡng thiết bị, hãy tắt mô-tơ và tháo nắp bugi hoặc hộp pin. Nếu không các lưới cắt hoặc các bộ phận khác có thể di chuyển và gây ra thương tích nghiêm trọng.

⚠ CẢNH BÁO: Trước khi xử lý hoặc làm việc gần lưới cắt, mang găng tay bảo hộ và dùng nắp bọc lưới cắt lại. Trong khi lắp ráp hoặc điều chỉnh, ngón tay của bạn có thể tiếp xúc với lưới cắt và có thể gây ra thương tích nghiêm trọng.

⚠ CẢNH BÁO: Khi kiểm tra hoặc bảo trì thiết bị, luôn đặt thiết bị xuống. Lắp ráp hoặc điều chỉnh thiết bị ở vị trí thẳng đứng có thể gây ra thương tích nghiêm trọng.

⚠ CẢNH BÁO: Thực hiện theo các cảnh báo và các biện pháp phòng ngừa trong chương “CÁC BIỆN PHÁP PHÒNG NGỪA AN TOÀN QUAN TRỌNG” và tài liệu hướng dẫn về thiết bị máy.

Kiểm tra các lưới cắt

Kiểm tra các lưới cắt hàng ngày xem có bị hư hỏng, nứt hay phần mép bị cùn hay không. Hãy nhờ trung tâm dịch vụ được ủy quyền thay thế các lưới cắt hoặc mài lại các lưới cắt bị cùn.

Điều chỉnh khoảng hở lưới cắt

Các lưới cắt trên/dưới mòn dần sau khi vận hành. Nếu bạn không thể có được vết cắt sạch mặc dù các lưới cắt đều sắc bén, hãy điều chỉnh khoảng hở như sau.

Độ khít của bu-lông lục giác sẽ quyết định khoảng hở của lưới cắt. Đai ốc kẹp bu-lông lục giác với độ khít nhất định. Khoảng hở quá lỏng sẽ làm cho vết cắt bị cùn, nhưng nếu khoảng hở quá khít cũng sẽ gây ra nhiệt không cần thiết và làm mòn lưới cắt nhanh hơn.

1. Nới lỏng đai ốc bằng cờ lê.
2. Vận chặt các bu-lông lục giác từ từ cho đến khi dừng lại. Sau đó, siết chúng lại từ một phần tư đến một nửa vòng để có khoảng hở cần thiết.
3. Giữ bu-lông lục giác và vận chặt đai ốc.
4. Tra một ít dầu lên bề mặt ma sát của lưới cắt.

5. Khởi động mô-tơ và bật tắt bàn đạp ga một lúc.
 6. Đo thời gian cần thiết để lưới cắt dừng lại sau khi nhả bàn đạp ga. Nếu hai giây trở lên, tắt mô-tơ và lặp lại bước 1 đến 6.
 7. Tắt mô-tơ và chạm vào bề mặt lưới cắt. Nếu chúng quá nóng không thể chạm vào, bạn phải điều chỉnh cho đúng cách. Nếu chúng quá nóng không thể chạm vào, vận bu-lông lục giác ngược lại một chút, rồi lặp lại bước 5 đến 7.
- Hình11: 1. Đai ốc 2. Lưới bên trên 3. Lưới bên dưới 4. Tăm 5. Bu-lông lục giác

Bôi trơn các bộ phận chuyển động

CHÚ Ý: Tuân thủ hướng dẫn về tần suất và lượng mỡ bôi trơn đã cung cấp. Nếu không bôi trơn đầy đủ có thể làm hỏng các phần di chuyển.

► Hình12

Hộp số:

⚠ THẬN TRỌNG: Không tra mỡ bôi trơn khi hộp chạy dao đang nóng. Hộp chạy dao đang nóng có thể gây ra thương tích bỏng.

Tra dầu bôi trơn mỗi 25 giờ làm việc.

1. Lỗ tra dầu đặt dưới bu-lông. Tháo bu-lông ra để tra dầu.
2. Thêm khoảng 3 g (4 cc) mỡ bôi trơn cho điểm A của hộp chạy dao và 5 g (7 cc) mỡ bôi trơn cho điểm B tương ứng qua lỗ tra mỡ.
3. Vận bu-lông lại sau khi bôi trơn.

► Hình13: 1. Lỗ tra dầu

LƯU Ý: Sau khi đổ đủ lượng dầu bôi trơn, dầu bôi trơn sẽ chảy ra một chút từ đế lưới cắt trong khi vận hành lần đầu.

Trục truyền động:

Tra dầu bôi trơn mỗi 25 giờ làm việc.

► Hình14

Kiểm tra tổng quát

- Vận lỏng bu-lông, đai ốc và ốc vít.
- Kiểm tra các bộ phận và lưới cắt bị hỏng. Nhờ trung tâm dịch vụ được ủy quyền thay thế nếu cần thiết.

Cắt giũ

⚠ CẢNH BÁO: Thực hiện theo các cảnh báo và các biện pháp phòng ngừa trong chương “CÁC BIỆN PHÁP PHÒNG NGỪA AN TOÀN QUAN TRỌNG” và tài liệu hướng dẫn về thiết bị máy.

Khi cắt giũ phụ tùng, luôn tháo nó từ thiết bị máy.

1. Xoay cần khóa theo hướng trong hình và kéo phụ tùng ra trong khi thực hiện nhấn nút nhả.

► Hình15: 1. Cần khóa 2. Nút nhả 3. Phụ tùng

2. Gắn vỏ lưới. Giữ tay cầm thiết bị máy cắt và gập lưới xén như minh họa trong khi thực hiện kéo khóa góc.

► Hình16: 1. Khóa góc 2. Tay cầm thiết bị máy cắt

3. Gắn nắp lên trên phần cuối của trục.

► Hình17

THỜI GIAN BẢO DƯỠNG

		Trước khi vận hành	Hàng ngày (10h)	25 h	Nếu cần thiết
Toàn bộ thiết bị	Kiểm tra các bộ phận bụi hồng bằng mắt	○	-	-	-
Vận chặt tất cả đai ốc và ốc vít	Vận chặt	○	-	-	-
Các lưỡi	Kiểm tra hư hỏng, nứt và phần mép bị cùn	-	○	-	-
	Điều chỉnh khoảng hở	-	-	-	○
Hộp số	Tra dầu bôi trơn	-	-	○	-
Trục truyền động	Tra dầu bôi trơn	-	-	○	-
Thiết bị máy	Tham khảo tài liệu hướng dẫn về thiết bị máy				

XỬ LÝ SỰ CỐ

Tình trạng bất thường	Nguyên nhân tiềm tàng (sự cố hồng học)	Biện pháp khắc phục
Mô-tơ không khởi động.	Tham khảo tài liệu hướng dẫn về thiết bị máy.	Tham khảo tài liệu hướng dẫn về thiết bị máy.
Mô-tơ ngừng lại ngay sau khi khởi động.	Tham khảo tài liệu hướng dẫn về thiết bị máy.	Tham khảo tài liệu hướng dẫn về thiết bị máy.
Tốc độ tối đa bị hạn chế.	Tham khảo tài liệu hướng dẫn về thiết bị máy.	Tham khảo tài liệu hướng dẫn về thiết bị máy.
Các lưỡi cắt không di chuyển. ⇒ Ngừng mô-tơ ngay lập tức!	Góc của thiết bị cắt không phù hợp.	Đảm bảo khóa góc đã gài đúng cách.
Các lưỡi cắt không di chuyển. ⇒ Ngừng mô-tơ ngay lập tức!	Một cành cây bị giữ lại trên lưỡi cắt.	Gỡ ngoại vật ra.
Các lưỡi cắt không di chuyển. ⇒ Ngừng mô-tơ ngay lập tức!	Hệ thống truyền động không làm việc đúng cách.	Nhờ trung tâm dịch vụ được ủy quyền kiểm tra và sửa chữa nó.
Thiết bị rung bất thường. ⇒ Ngừng mô-tơ ngay lập tức!	Hệ thống truyền động không làm việc đúng cách.	Nhờ trung tâm dịch vụ được ủy quyền kiểm tra và sửa chữa nó.
Các lưỡi cắt không dừng lại được. ⇒ Ngừng mô-tơ ngay lập tức!	Thiết bị máy không làm việc đúng cách.	Tham khảo tài liệu hướng dẫn về thiết bị máy.

PHỤ KIỆN TỰY CHỌN

⚠ THẬN TRỌNG: Các phụ kiện hoặc phụ tùng gắn thêm này được khuyến cáo sử dụng với dụng cụ Makita của bạn theo như quy định trong hướng dẫn này. Việc sử dụng bất cứ phụ kiện hoặc phụ tùng gắn thêm nào khác đều có thể gây ra rủi ro thương tích cho người. Chỉ sử dụng phụ kiện hoặc phụ tùng gắn thêm cho mục đích đã quy định sẵn của chúng.

Nếu bạn cần bất kỳ sự hỗ trợ nào để biết thêm chi tiết về các phụ tùng này, hãy hỏi Trung tâm Dịch vụ của Makita tại địa phương của bạn.

- Bộ lưỡi cắt
- Bộ bôi trơn

LƯU Ý: Một số mục trong danh sách có thể được bao gồm trong gói dụng cụ làm phụ kiện tiêu chuẩn. Các mục này ở mỗi quốc gia có thể khác nhau.

ข้อมูลจำเพาะ

รุ่น:	EN420MP
ขนาด (ยาว x กว้าง x สูง)	1,324 mm x 104 mm x 103 mm (52" x 4-1/8" x 4-1/16")
น้ำหนักสุทธิ	2.6 kg (5.93 lbs)
ความยาวในการตัดที่มีประสิทธิภาพ	250 mm (9-7/8")
อัตราเฟือง	1 : 4.78

- เนื่องจากการค้นคว้าวิจัยและพัฒนาอย่างต่อเนื่อง ข้อมูลจำเพาะในเอกสารฉบับนี้อาจเปลี่ยนแปลงได้โดยไม่ต้องแจ้งให้ทราบล่วงหน้า
- ข้อมูลจำเพาะอาจแตกต่างกันไปในแต่ละประเทศ

จุดตัดกำลังที่อนุญาต

คำเตือน: ห้ามใช้อุปกรณ์ต่อพ่วงร่วมกับจุดตัดกำลังที่ไม่ได้รับอนุญาต การใช้งานร่วมกันที่ไม่ได้รับอนุญาตอาจก่อให้เกิดการบาดเจ็บร้ายแรง

อุปกรณ์ต่อพ่วงนี้ได้รับอนุญาตให้ใช้งานร่วมกับจุดตัดกำลังต่อไปนี้เท่านั้น:

- (บีมัลติฟังก์ชัน)
EX2650LH
- (บีมัลติฟังก์ชันไร้สาย)
BUX360, BUX361, BUX362, UX360D, UX361D, UX362D,
*DUX60, *XUX01, *DUX18, *XUX02, *UX01G, *GUX01 (*เฉพาะรุ่น
เหล่านี้เท่านั้นที่ได้รับการรับรองโดย UL)

สัญลักษณ์

ต่อไปนี้คือสัญลักษณ์ที่อาจใช้สำหรับอุปกรณ์ โปรดศึกษาความหมายของสัญลักษณ์ให้เข้าใจก่อนการใช้งาน

	อ่านและปฏิบัติตามคู่มือคำแนะนำ
	ใช้ความระมัดระวังและความสนใจเป็นพิเศษ!
	ห้าม!
	ระวังสายไฟ เสี่ยงต่อการถูกกระแสไฟฟ้าช็อต
	อันตราย - ดูแลให้มืออยู่ห่างจากใบเลื่อย
	ให้สวมถุงมือป้องกัน
	สวมหมวกนิรภัย อุปกรณ์ป้องกันดวงตาและหู
	สวมรองเท้าแข็งแรงที่มีพื้นกันลื่น
	ให้ผู้ที่อยู่ข้างเคียงและสัตว์อยู่ห่างจากเครื่องมือไฟฟ้าอย่างน้อย 15 m
	ให้บริเวณปฏิบัติงานปราศจากบุคคลและสัตว์เลี้ยง
	พื้นผิวที่ร่อน - ใหม่นิ้วมือหรือมือ
	การปฐมพยาบาล

จุดประสงค์การใช้งาน

อุปกรณ์เสริมนี้ถูกออกแบบมาเพื่อใช้ในการเล็มไม้พุ่ม แนวพุ่มไม้และหญ้าบนพื้น คู่กับ พาวเวอร์ยูนิทที่อนุญาต ห้ามนำอุปกรณ์เสริมนี้ไปใช้เพื่อจุดประสงค์อื่นโดยเด็ดขาด การใช้อุปกรณ์เสริมอย่างไม่ถูกต้องอาจก่อให้เกิดอุบัติเหตุร้ายแรงได้

คำเตือนด้านความปลอดภัย

คำเตือนด้านความปลอดภัยของเครื่องตัดแต่งพุ่มไม้

1. ดูแลให้ทุกส่วนของร่างกายอยู่ห่างจากใบเลื่อย อย่างน้อยที่สุดที่ตัดแล้วออก หรือจับวัสดุเพื่อทำการตัดในขณะที่ใบเลื่อยกำลังทำงานอยู่ ใบเลื่อยจะยังคงเคลื่อนไหวต่อไปแม้ว่าจะปิดสวิตช์แล้วก็ตาม ช่วงเวลาที่ขาดความระมัดระวังในขณะที่ใช้งานเครื่องตัดแต่งพุ่มไม้ อาจส่งผลให้ได้รับบาดเจ็บสาหัสได้
2. ถือเครื่องตัดแต่งพุ่มไม้โดยจับที่มีมือจับในขณะที่ใบเลื่อยหยุดนิ่งแล้ว และระวังอย่าใช้งานสวิตช์ไฟใดๆ การถือเครื่องตัดแต่งพุ่มไม้ไม่เหมาะสม จะช่วยลดความเสี่ยงในการสแตร์ทเครื่องโดยไม่ตั้งใจและการบาดเจ็บจากใบเลื่อยที่เกิดขึ้นหลังจากนั้นได้
3. ขณะขนย้ายหรือเก็บเครื่องตัดแต่งพุ่มไม้ ให้ใส่ผ้าครอบใบเลื่อยเสมอ การจัดการเครื่องตัดแต่งพุ่มไม้ไม่เหมาะสมจะช่วยลดความเสี่ยงในการบาดเจ็บจากใบเลื่อยได้
4. เมื่อต้องการกำจัดสิ่งกีดขวางหรือทำการบำรุงรักษาเครื่องมือ ให้ตรวจสอบว่าได้ปิดสวิตช์ไฟทุกอันและถอดหรือตัดการเชื่อมต่อชุดแบตเตอรี่ออกแล้ว การที่เครื่องตัดแต่งพุ่มไม้ทำงานขึ้นมาโดยไม่คาดคิดขณะที่กำลังกำจัดสิ่งกีดขวางหรือทำการบำรุงรักษาเครื่องมืออาจทำให้เกิดการบาดเจ็บร้ายแรงได้
5. ถือเครื่องตัดแต่งพุ่มไม้โดยจับพื้นผิวส่วนที่ห่อหุ้มด้วยฉนวนไฟฟ้าเท่านั้น เนื่องจากใบเลื่อยอาจสัมผัสกับสายไฟที่ซ่อนอยู่ ใบเลื่อยที่สัมผัสกับสายไฟที่ "มีกระแสไฟฟ้าไหลผ่าน" อาจทำให้ส่วนที่เป็นโลหะของเครื่องตัดแต่งพุ่มไม้ที่ไม่มีฉนวนหุ้ม "มีกระแสไฟฟ้าไหลผ่าน" และทำให้ผู้ปฏิบัติงานถูกไฟฟ้าช็อตได้
6. ให้สายไฟและสายเคเบิลทุกเส้นอยู่ห่างจากพื้นที่ตัด สายไฟและสายเคเบิลอาจซ่อนอยู่ในแนวต้นไม้เตี้ยหรือพุ่มไม้และอาจถูกใบมีดตัดขาดโดยไม่ตั้งใจได้
7. อย่าใช้เครื่องตัดแต่งพุ่มไม้ในสภาพอากาศที่ไม่ดี โดยเฉพาะเมื่อมีความเสี่ยงที่จะเกิดฟ้าผ่า ซึ่งจะเพิ่มความเสี่ยงในการถูกฟ้าผ่า

คำเตือนด้านความปลอดภัยของเครื่องตัดแต่งพุ่มไม้ที่ยึดตามอก

1. เพื่อลดความเสี่ยงจากการเสียชีวิตจากฟ้าผ่า ห้ามใช้เครื่องตัดแต่งพุ่มไม้ที่ยึดตามใกล้กับสายไฟฟ้าใดๆ การสัมผัสหรือใช้เครื่องมือใกล้กับสายไฟฟ้าอาจทำให้ได้รับบาดเจ็บสาหัสหรือไฟฟ้าช็อตจนถึงแก่ชีวิตได้
2. ใช้มือสองข้างเสมอเมื่อใช้งานเครื่องตัดแต่งพุ่มไม้ที่ยึดตามอก ถือเครื่องตัดแต่งพุ่มไม้ที่ยึดตามอกด้วยมือทั้งสองข้างเพื่อหลีกเลี่ยงการสูญเสียการควบคุม

- ใช้ที่ป้องกันศีรษะเสมอเมื่อใช้งานเครื่องตัดแต่งพุ่มไม้ที่ยึดตามอกเหนือศีรษะ เศษต่างๆ ที่ร่วงหล่นลงมาอาจทำให้ได้รับบาดเจ็บสาหัสได้

คำแนะนำด้านความปลอดภัยที่สำคัญ

คำเตือน: อ่านคำเตือนด้านความปลอดภัยและคำแนะนำทั้งหมดในสมุดเล่มนี้และคู่มือคำแนะนำของชุดต้นกำลัง การไม่ปฏิบัติตามคำเตือนและคำแนะนำดังกล่าวอาจส่งผลให้ไฟฟ้าช็อต ไฟไหม้ และ/หรือได้รับบาดเจ็บร้ายแรง

คำเตือน: เก็บรักษาคำเตือนและคำแนะนำทั้งหมดไว้เป็นข้อมูลอ้างอิงในอนาคต

คำว่า “เครื่องเล็มกิ่งไม้” และ “อุปกรณ์” ที่ระบุในคำเตือนนั้นหมายถึงตัวอุปกรณ์เสริมและพาวเวอร์ยูนิตรวมกัน คำว่า “มอเตอร์” ในคำเตือนและข้อควรระวัง หมายถึงเครื่องยนต์หรือมอเตอร์ไฟฟ้าของชุดต้นกำลัง

ข้อควรระวังโดยทั่วไป

- ก่อนใช้งานเครื่องเล็มกิ่งไม้ กรุณาอ่านคู่มือเล่มนี้และคู่มือการใช้งานของพาวเวอร์ยูนิตเพื่อให้เกิดความคุ้นเคยกับการใช้งานเครื่องเล็มกิ่งไม้
- ห้ามมิให้ผู้ที่ไม่มีความรู้หรือความเข้าใจเกี่ยวกับการใช้งานเครื่องเล็มกิ่งไม้เพียงพอยืมอุปกรณ์เสริมนี้
- เมื่อให้ยืมอุปกรณ์ต่อพ่วง ให้แนบคู่มือคำแนะนำนี้ไปด้วย
- ห้ามมิให้เด็กหรือผู้ที่มีอายุต่ำกว่า 18 ปีใช้เครื่องเล็มกิ่งไม้ อย่าให้บุคคลเหล่านี้เข้าใกล้เครื่องเล็มกิ่งไม้
- ใช้เครื่องเล็มกิ่งไม้ด้วยความระมัดระวังอย่างสูง
- อย่าใช้งานอุปกรณ์นี้เมื่อรู้สึกเหนื่อย, ป่วย หรืออยู่ในสภาวะมีนเมาจากแอลกอฮอล์, ยาเสพติด หรือยา
- ห้ามพยายามดัดแปลงอุปกรณ์ต่อพ่วง
- ปฏิบัติตามข้อบังคับเกี่ยวกับการใช้งานเครื่องเล็มกิ่งไม้ในประเทศของคุณ

อุปกรณ์ป้องกันส่วนบุคคล

► หมายเลข 1

- สวมใส่กางเกงขายาว รองเท้าบู๊ต ถุงมือ และเสื้อแขนยาวเสมอ อย่าสวมใส่เสื้อผ้าที่รุ่มร่าม เครื่องประดับ กางเกงขาสั้น รองเท้าแตะ หรือเดินเท้าเปล่า เก็บผมให้อยู่เหนือระดับไหล่
- สวมหมวกนิรภัย แวนนิรภัย และถุงมือป้องกันเพื่อป้องกันตัวเองจากเศษวัสดุกระเด็นหรือวัตถุที่ตกลงมา
- สวมอุปกรณ์ป้องกันหู เช่น ที่ครอบหู เพื่อป้องกันการสูญเสียการได้ยิน
- สวมเสื้อผ้าและรองเท้าที่เหมาะสมเพื่อการใช้งานอย่างปลอดภัย เช่น ชุดทำงานติดกัน และรองเท้าแข็งแรงที่มีพื้นกันลื่น อย่าสวมเครื่องแต่งกายที่หลวมเกินไป หรือสวมเครื่องประดับ เสื้อผ้ารุ่มร่าม เครื่องประดับ หรือผมที่มีความยาวอาจเข้าไปติดในชิ้นส่วนที่เคลื่อนที่
- เมื่อสัมผัสใบเลื่อยหรือทำการปรับมุมใบเลื่อย ให้สวมถุงมือป้องกัน ใบเลื่อยอาจบาดมือเปล่าจนบาดเจ็บสาหัส

ความปลอดภัยของพื้นที่ทำงาน

คำเตือน: อย่าใช้งานเครื่องเล็มกิ่งไม้ใกล้กับสายไฟหรือสายโทรศัพท์ การที่เครื่องเล็มกิ่งไม้สัมผัสหรือเข้าใกล้สายไฟแรงสูงอาจเกิดอุบัติเหตุร้ายแรงหรือเสียชีวิตได้ ตรวจสอบสายไฟฟ้าและรั้วไฟฟ้ารอบๆ พื้นที่ก่อนเริ่มดำเนินการ

คำเตือน: การใช้ผลิตภัณฑ์นี้อาจก่อให้เกิดฝุ่นผงที่มีสารเคมีซึ่งอาจก่อให้เกิดการเจ็บป่วยทางระบบทางเดินหายใจหรืออื่นๆ ได้ ตัวอย่างของสารเคมีเหล่านี้คือส่วนผสมที่พบได้ในยาปราบศัตรูพืช ยาฆ่าแมลง ปุ๋ย และยากำจัดวัชพืช ความเสี่ยงของคุณจากการสัมผัสสิ่งเหล่านี้จะแตกต่างกันไปตามความถี่การทำงานของคุณ เพื่อลดการสัมผัสต่อสารเคมีเหล่านี้ ให้ทำงานในพื้นที่ที่มีการระบายอากาศอย่างดีและใช้อุปกรณ์รักษาความปลอดภัยที่ได้รับอนุญาต เช่น หน้ากากป้องกันพื้นที่ได้รับการออกแบบมาเป็นพิเศษให้สามารถกรองอนุภาคที่มีขนาดเล็กมากๆ ได้

- ใช้งานเครื่องเล็มกิ่งไม้ภายใต้สภาวะการมองเห็นที่ดีและในช่วงกลางวันเท่านั้น ห้ามใช้งานเครื่องเล็มกิ่งไม้ในความมืดหรือในสภาวะที่มีหมอก

- เริ่มและใช้งานเครื่องยนต์กลางแจ้งในบริเวณที่มีอากาศถ่ายเทดีเท่านั้น การใช้งานในบริเวณจำกัดหรือมีอากาศถ่ายเทไม่ดีอาจก่อให้เกิดการเสียชีวิตเนื่องจากการขาดอากาศหายใจหรือคาร์บอนมอนอกไซด์เป็นพิษ
- ระหว่างการใช้งาน ห้ามยืนบนพื้นผิวที่ไม่มั่นคงหรือลื่นหรืออยู่บนทางลาดชัน ระหว่างฤดูหนาว ให้ระวังน้ำแข็งและหิมะ และตรวจสอบท่ายืนให้มั่นคงเสมอ
- ระหว่างการใช้งาน ให้คนอื่นหรือสัตว์อยู่ห่างจากเครื่องเล็มกิ่งไม้อย่างน้อย 15 เมตร หยุดการทำงานของมอเตอร์ทันทีที่มีคนเข้าใกล้
- ก่อนการใช้งาน ตรวจสอบหารั่วลวด หิน หรือของแข็งอื่นๆ ในพื้นที่ทำงานเนื่องจากอาจทำให้ใบเลื่อยเสียหายได้

การใช้งาน

- ก่อนการประกอบหรือการปรับอุปกรณ์ ให้ปิดมอเตอร์และถอดฝาครอบหัวเทียนหรือดัลล์แบตเตอรี่ออก
- ก่อนประกอบหรือทำการปรับมุมใบเลื่อย ให้สวมถุงมือป้องกัน
- ก่อนเริ่มใช้มอเตอร์ ให้ตรวจสอบความเสียหายของอุปกรณ์ สกรู/น็อตที่หลวม หรือการประกอบที่ไม่เหมาะสม เปลี่ยนใบเลื่อยที่แตก งอ หรือเสียหาย ตรวจสอบก้านควบคุมและสวิตช์ทั้งหมดเพื่อการทำงานที่ปลอดภัย ทำความสะอาดมือจับและเช็ดให้แห้ง
- ห้ามพยายามเริ่มใช้งานมอเตอร์หากอุปกรณ์เสียหายหรือไม่ได้ประกอบโดยสมบูรณ์ มิฉะนั้นอาจเกิดการบาดเจ็บร้ายแรงได้
- ก่อนการเริ่มการทำงานของมอเตอร์ ตรวจสอบใบมีดให้แน่ใจว่าได้สัมผัสกับพื้นดิน ร่างกายของคุณ หรือวัตถุอื่นๆ การเดินเครื่องในขณะที่ใบมีดสัมผัสกับวัตถุแปลกปลอมอาจก่อให้เกิดอุบัติเหตุร้ายแรงได้
- ปรับสายคล้องไหล่และมือจับให้เหมาะกับขนาดร่างกายของผู้ปฏิบัติงาน

การใช้งาน

- รักษาตำแหน่งที่เหมาะสมของมือ เท้า และอุปกรณ์ในระหว่างการใช้งาน ยืนอย่างมั่นคงและสมดุล อย่าเอื้อมจนสุด ดูแลส่วนต่างๆ ของร่างกายคุณให้อยู่ห่างจากอุปกรณ์ตัดและพื้นผิวที่ร้อน
- ในกรณีที่เกิดเหตุฉุกเฉิน ให้ปิดสวิตช์มอเตอร์ทันที
- หากคุณรู้สึกถึงสภาวะที่ไม่ปกติ (เช่น เสียทรงบวมน การสั่นสะเทือน) ให้ปิดสวิตช์มอเตอร์ ห้ามใช้งานเครื่องเล็มกิ่งไม้จนกว่าจะรู้สึกดีและได้รับการแก้ไข
- ใบเลื่อยจะหมุนต่อไปเป็นระยะเวลาสั้นๆ หลังจากปล่อยสวิตช์เปิดหรือปิดสวิตช์มอเตอร์ อย่ารีบสัมผัสใบเลื่อย
- ขณะที่เครื่องยนต์กำลังหมุนแบบเดินเบา ให้ติดสายสะพายไหล่
- ระหว่างการใช้งาน ให้ใช้สายสะพายไหล่ ให้เครื่องเล็มกิ่งไม้อยู่ติดสีข้างด้านขวาของคุณอย่างมั่นคง

► หมายเลข 2

- จับมือจับด้านหน้าด้วยมือซ้ายและจับตามจับด้านหลังด้วยมือขวา ไม่ว่าคุณจะถนัดซ้ายหรือขวา กำมือและนิ้วโป้งของคุณรอบมือจับ
- ห้ามพยายามใช้งานอุปกรณ์ด้วยมือเดียว การสูญเสียการควบคุมอาจก่อให้เกิดการบาดเจ็บร้ายแรงหรือถึงแก่ชีวิต หากต้องการลดความเสี่ยงในการถูกบาด ให้มือและเท้าของคุณอยู่ห่างจากใบเลื่อย
- อย่าทำงานในระบะยที่สุดเอี่ยม จัดทำการยืนและการทรงตัวให้เหมาะสมตลอดเวลา มองสิ่งกีดขวางที่ซ่อนอยู่เช่น โต๊ะ ไม้ รากไม้ และร่องน้ำ เพื่อหลีกเลี่ยงการสะดุด กำจัดกิ่งไม้ที่ตกอยู่และสิ่งอื่นๆ ออกไป
- ห้ามทำงานบนบันไดหรือต้นไม้ เพื่อหลีกเลี่ยงไม่ให้สูญเสียการควบคุม
- อย่าถือเครื่องจักรเหนือความสูงของไหล่
- ระหว่างการทำงาน ห้ามให้ใบเลื่อยกระทบกับของแข็งอย่างเช่น หินและโลหะ ใช้ความระมัดระวังเป็นพิเศษในการตัดพุ่มไม้ที่อยู่ด้านข้างหรือติดรั้วลวดเหล็ก ขณะทำงานใกล้กับพื้น ให้ตรวจสอบว่าไม่มีทราย กรวด หรือหินอยู่ระหว่างใบเลื่อย
- ถ้าใบเลื่อยสัมผัสกับหินหรือของแข็งอื่นๆ ให้หยุดมอเตอร์ทันทีและตรวจสอบความเสียหายของใบเลื่อยหลังจากถอดหัวเทียนหรือดัลล์แบตเตอรี่ออกแล้ว เปลี่ยนใบเลื่อยหากมีความเสียหาย
- หากมีกิ่งไม้หนาเข้าไปติดอยู่ระหว่างใบมีด ให้ปิดสวิตช์มอเตอร์ทันที จากนั้นวางเครื่องเล็มกิ่งไม้ลงบนพื้นและนำเอาสิ่งกีดขวางออกหลังจากถอดหัวเทียนหรือดัลล์แบตเตอรี่ออกแล้ว ตรวจสอบความเสียหายของใบมีดก่อนใช้งานอุปกรณ์อีกครั้ง

- ห้ามแตะหรือเข้าหาใบเลื่อยขณะที่กำลังหมุน ใบเลื่อยอาจตัดนิ้วของคุณอย่างง่ายดาย ขณะจัดการกับใบเลื่อยหรือปรับมุมใบเลื่อย ให้หยุดมอเตอร์และถอดฝาครอบหัวเทียนหรือดัลล์แบดเตอร์ออก
- การเร่งมอเตอร์โดยที่ใบเลื่อยถูกกีดขวางอยู่จะเป็นการเพิ่มโหลดและจะทำให้มอเตอร์และ/หรือคัลล์ซี่เสียหาย
- ตรวจสอบใบเลื่อยตัดบ่อยๆ ระหว่างการทำงานเพื่อหารอยแตกหรือขอบที่ทื่อ ก่อนทำการตรวจสอบ ให้ปิดสวิตช์มอเตอร์และรอจนกว่าใบเลื่อยจะหยุดสนิท เปลี่ยนใบเลื่อยที่เสียหายหรือที่ทื่อทันที แม้ว่าจะมีรอยแตกเพียงเล็กน้อยก็ตาม
- ถ้าอุปกรณ์ถูกกระแทกอย่างแรงหรือทำตก ให้ตรวจสอบสภาพก่อนทำงานต่อ ตรวจสอบการรั่วไหลของเชื้อเพลิงในระบบเชื้อเพลิงและการทำงานที่ผิดปกติของการควบคุมและอุปกรณ์ป้องกันภัย หากมีความเสียหายหรือข้อสงสัยใดๆ ให้นำไปตรวจสอบและซ่อมแซมที่ศูนย์บริการที่ผ่านการรับรองของเรา
- อย่าจับกระปุกเฟือง กระปุกเฟืองจะร้อนระหว่างการทำงาน
- หยุดพักเพื่อป้องกันการสูญเสียการควบคุมเนื่องจากความเหนื่อยล้า ขอแนะนำให้หยุดพัก 10 ถึง 20 นาทีทุกชั่วโมง
- เมื่อคุณวางอุปกรณ์ทิ้งไว้ แม้จะเป็นระยะเวลาสั้นๆ ก็ตาม ให้ปิดสวิตช์เครื่องยนต์หรือถอดดัลล์แบดเตอร์เสมอ อุปกรณ์ที่เครื่องยนต์ยังทำงานอยู่แต่ไม่มีผู้ดูแล อาจถูกบุคคลที่ไม่ได้รับอนุญาตนำไปใช้และก่อให้เกิดอุบัติเหตุร้ายแรง
- ก่อนทำการตัด ให้ตั้งก้านเปิดปิดจนสุดเพื่อให้ได้ความเร็วสูงสุด
- ปฏิบัติตามคู่มือคำแนะนำของชุดต้นกำลังเพื่อใช้งานก้านและสวิตช์ควบคุมอย่างถูกต้อง
- ระหว่างหรือหลังจากการทำงาน อย่าวางอุปกรณ์ที่ร้อนลงบนหญ้าแห้งหรือวัสดุที่ติดไฟได้ง่าย

การเคลื่อนย้าย

- ก่อนการเคลื่อนย้ายอุปกรณ์ ให้ปิดมอเตอร์และถอดฝาครอบหัวเทียนหรือดัลล์แบดเตอร์ออก ใส่ฝาครอบใบเลื่อยระหว่างการเคลื่อนย้ายเสมอ
- ขณะถือเครื่องมือ ให้ถือในตำแหน่งแนวอนโดยจับที่ก้าน หันเครื่องเก็บเสียงที่ร้อนออกจากร่างกายของคุณ
- ขณะเคลื่อนย้ายอุปกรณ์ในยานพาหนะ ให้ยึดอุปกรณ์ไว้อย่างเหมาะสมเพื่อหลีกเลี่ยงการพลิก มีฉะนั้นอาจเกิดการกระเด็นของเชื้อเพลิงและเกิดความเสียหายต่อเครื่องมือและหีบห่ออื่นๆ

การบำรุงรักษา

- ก่อนทำการบำรุงรักษาหรือซ่อมแซมหรือทำความสะอาดอุปกรณ์ ให้ปิดมอเตอร์และถอดฝาครอบหัวเทียนหรือดัลล์แบดเตอร์ออกเสมอ รอจนกว่ามอเตอร์จะเย็น
- หากต้องการลดความเสี่ยงในการเกิดอัคคีภัย ห้ามทำการบำรุงรักษาอุปกรณ์ในบริเวณใกล้เคียงกับไฟ
- ใส่ถุงมือป้องกันขณะจับใบเลื่อยเสมอ
- กำจัดฝุ่นและสิ่งสกปรกออกจากอุปกรณ์เสมอ อย่าใช้น้ำมันเชื้อเพลิงเบนซิน ทินเนอร์ แอลกอฮอล์ หรือวัสดุประเภทเดียวกันเพื่อวัตถุประสงค์ดังกล่าว เนื่องจากอาจเกิดการเปลี่ยนสี เปลี่ยนรูป หรือรอยแตกบนชิ้นส่วนพลาสติก
- หลังจากการใช้งานในแต่ละครั้ง ให้ขันสกรูและน็อตทุกตัว ยกเว้นสกรูปรับคาร์บูเรเตอร์
- รักษาความคมของเครื่องมือตัด หากใบเลื่อยตัดทื่อและประสิทธิภาพการตัดย่ำแย่ ให้นำใบเลื่อยไปลับที่ศูนย์บริการที่ผ่านการรับรองของเรา
- ห้ามซ่อมแซมใบเลื่อยที่งอหรือแตกด้วยการยึดให้ตรงหรือเชื่อม เนื่องจากชิ้นส่วนของใบเลื่อยอาจกระเด็นออกมาและก่อให้เกิดการบาดเจ็บร้ายแรงติดต่อศูนย์บริการที่ผ่านการรับรองของเราเพื่อเปลี่ยนใบเลื่อย Makita ของแท้
- อย่าพยายามทำการบำรุงรักษาหรือซ่อมแซมใดๆ ที่ไม่ได้รับไว้ในสมุดเล่มนี้หรือคู่มือคำแนะนำของชุดต้นกำลัง สอบถามศูนย์บริการที่ผ่านการรับรองของเราให้ทำงานดังกล่าวให้
- ใช้อะไหล่และอุปกรณ์เสริม Makita ของแท้เสมอเท่านั้น การใช้อะไหล่หรืออุปกรณ์เสริมที่บุคคลที่สามจัดหาให้อาจส่งผลให้อุปกรณ์เสียหายทรัพย์สินเสียหาย และ/หรือการบาดเจ็บร้ายแรง

- สอบถามศูนย์บริการที่ได้รับอนุญาตของเราเพื่อให้ตรวจสอบและบำรุงรักษาเครื่องเล็มกิ้งไม้เป็นประจำ

การเก็บรักษา

- ก่อนทำการเก็บอุปกรณ์ ให้ทำความสะอาดและบำรุงรักษาเต็มรูปแบบ ใส่ฝาครอบใบเลื่อย
- เก็บอุปกรณ์ในที่แห้ง สูงหรือมีที่ลิดและห่างจากมือเด็ก
- ห้ามพึ่งอุปกรณ์กับสิ่งอื่น เช่น กำแพง ไม่เช่นนั้น เครื่องเล็มกิ้งไม้อาจหล่นลงมาและทำให้เกิดการบาดเจ็บได้

การปฐมพยาบาล

- เตรียมชุดปฐมพยาบาลไว้ใกล้ๆ เสมอ นำสิ่งที่ถูกนำออกจากชุดปฐมพยาบาลมาเติมทันที
- เมื่อต้องการขอความช่วยเหลือ ให้บอกข้อมูลดังต่อไปนี้:
 - สถานที่เกิดอุบัติเหตุ
 - สิ่งที่เกิดขึ้น
 - จำนวนผู้ได้รับบาดเจ็บ
 - ลักษณะการบาดเจ็บ
 - ชื่อของคุณ

คำอธิบายชิ้นส่วนต่างๆ

- หมายเลข 3: 1. ใบมีด 2. กระปุกเฟืองเกียร์ 3. ด้ามของเครื่องตัด 4. ที่ลือคคุม 5. ฝา 6. ฝาครอบใบมีด

การประกอบ

คำเตือน: ก่อนการประกอบหรือการปรับอุปกรณ์ ให้ปิดมอเตอร์และถอดฝาครอบหัวเทียนหรือดัลล์แบดเตอร์ออก มีฉะนั้นใบเลื่อยหรือชิ้นส่วนอื่นๆ อาจเคลื่อนไหวและก่อให้เกิดการบาดเจ็บร้ายแรง

คำเตือน: ก่อนทำการควบคุมหรือทำงานกับใบเลื่อย ให้สวมถุงมือป้องกันและใส่ฝาครอบใบเลื่อยลงบนใบเลื่อย มีฉะนั้นใบเลื่อยอาจบาดเจ็บเปลา่จนบาดเจ็บสาหัส

คำเตือน: ขณะทำการประกอบหรือปรับอุปกรณ์ ให้วางอุปกรณ์ลงเสมอ การประกอบหรือปรับอุปกรณ์ในตำแหน่งตั้งขึ้นอาจก่อให้เกิดการบาดเจ็บร้ายแรง

คำเตือน: ปฏิบัติตามคำเตือนและข้อควรระวังในบท “ข้อควรระวังความปลอดภัย” และคู่มือคำแนะนำของชุดต้นกำลัง

คำเตือน: ก่อนใช้งานอุปกรณ์ ตรวจสอบให้แน่ใจว่าขันก้านลือคคนแน่นแล้ว

การติดอุปกรณ์ต่อพ่วงเข้ากับชุดต้นกำลัง

หากต้องการติดอุปกรณ์ต่อพ่วงเข้ากับชุดต้นกำลัง ให้ปฏิบัติตามขั้นตอนด้านล่างนี้

- ตรวจสอบให้แน่ใจว่าไม่ได้ขันก้านลือค
 - ปรับสลักให้ตรงกับเครื่องหมายลูกศร
 - ใส่ก้านเข้าไปในเพลลา่ขั้วของชุดต้นกำลังจนกว่าเส้นตำแหน่งและปุ่มปล่อยจะตั้งออกมา
 - ขันก้านลือคให้แน่นตามที่แสดง
- หมายเลข 4: 1. คันลือค 2. ปุ่มปล่อย 3. เครื่องหมายลูกศร 4. หมุดยึด 5. เส้นตำแหน่ง

หากต้องการถอดอุปกรณ์ต่อพ่วง ให้คลายก้านลือคโดยหมุนก้านลือคไปในทิศทางตรงกันข้าม และกดปุ่มลือคและถอนเพลลา่ออก

ข้อสังเกต: ห้ามขันคันลือคแน่นโดยที่ไม่สอดกนเพลลา่ของอุปกรณ์เข้าไปข้างใน ไม่อย่างนั้นคันลือคอาจจะขันแน่นติดกับช่องใส่เพลลา่ขั้วมากเกินไปและทำให้เกิดความเสียหาย

การปรับมุมการตัด

⚠ คำเตือน: เมื่อทำการปรับเปลี่ยนมุมการตัด ต้องทำการปิดสวิทช์มอเตอร์และนำเอาด้ามเบรคหรืออกก่อนเสมอ และวางเครื่องเล็มกิ่งไม้ราบลงไปกับพื้น

⚠ คำเตือน: ห้ามทำการปรับเปลี่ยนมุมการตัดเมื่อเครื่องเล็มกิ่งไม้ตั้งอยู่ในแนวตั้ง

⚠ คำเตือน: ใช้ฝาครอบที่หามาครอบใบมีดก่อนการปรับเปลี่ยนมุมในการตัดเสมอ

⚠ คำเตือน: จับด้ามของเครื่องตัดเมื่อทำการปรับมุมการตัดเสมอ การจับใบมีดโดยตรงอาจทำให้เกิดการบาดเจ็บได้

ถือด้ามของเครื่องตัดค้ำไว้ และเคลื่อนใบมีดไปยังมุมที่ต้องการขณะที่ตั้งตัวล็อกมุม มุมการตัดสามารถปรับเปลี่ยนได้ตามระยะที่ระบุในรูปภาพ

► **หมายเลข 5:** 1. ที่ล็อกมุม 2. ด้ามของเครื่องตัด

หมายเหตุ: เครื่องตัดจะถูกขันแน่นเฉพาะที่บางมุมเท่านั้นตามร่องบนเครื่อง ตรวจสอบให้แน่ใจว่าเครื่องตัดติดอยู่อย่างถูกต้อง หากมุมการตัดไม่เหมาะสม ตัวคลัทช์จะถูกตัดและเครื่องมือจะไม่ทำงาน

หากเครื่องตัดหลวม จะต้องขันสลักเกลียว (ที่แกนของที่ปรับมุม) ให้แน่น วางประแจกระบอกและประแจหกเหลี่ยมลงบนสลักเกลียว ปรับระดับความแน่นของเครื่องตัดโดยหมุนประแจหกเหลี่ยมและจากนั้นขันสลักเกลียวให้แน่นด้วยการหมุนประแจกระบอก

► **หมายเลข 6:** 1. ประแจกระบอก 2. สลักเกลียว 3. ประแจหกเหลี่ยม

หมายเหตุ: ห้ามขันเครื่องตัดแน่นจนเกินไป มุมของเครื่องตัดจะไม่สามารถปรับเปลี่ยนได้หากขันแน่นจนเกินไป

การใช้งาน

⚠ คำเตือน: หากใบเลื่อยเคลื่อนที่แบบเดินเบา ให้ปรับความเร็วเดินเบาของเครื่องยนต์ลง มิฉะนั้นคุณจะไม่สามารถหยุดใบเลื่อยโดยปิดสวิทช์เปิดปิดได้ และอาจก่อให้เกิดการบาดเจ็บร้ายแรง

⚠ คำเตือน: ปฏิบัติตามคำเตือนและข้อควรระวังในบท "คำแนะนำด้านความปลอดภัยที่สำคัญ" และคู่มือคำแนะนำของชุดต้นกำลัง

การตัดหญ้า

เมื่อทำการตัดหญ้า ปฏิบัติตามขั้นตอนต่อไปนี้

1. ดึงคันโยกจนสุด
2. วางใบมีดลงบนหญ้าโดยให้ขนานกับพื้น
3. ตัดหญ้าโดยกว้างไปมาจากขวาไปซ้าย

► **หมายเลข 7**

การเล็มแนวพุ่มไม้

เมื่อทำการเล็มแนวพุ่มไม้ในแนวตั้ง ปฏิบัติตามขั้นตอนต่อไปนี้

1. ดึงคันเปิดปิดจนสุด
2. วางใบมีดลงบนแนวพุ่มไม้โดยให้ขนานซึ่งกันและกัน
3. เล็มแนวพุ่มไม้จากล่างขึ้นบนโดยกว้างไปมา

► **หมายเลข 8**

เมื่อทำการเล็มแนวพุ่มไม้ในแนวนอน ปฏิบัติตามขั้นตอนต่อไปนี้

1. ดึงคันโยกจนสุด
2. วางใบมีดลงบนแนวพุ่มไม้โดยทำมุม 15° ถึง 30°

► **หมายเลข 9**

3. เล็มแนวพุ่มไม้โดยกว้างไปมาจากขวาไปซ้าย

► **หมายเลข 10**

การบำรุงรักษา

⚠ คำเตือน: ก่อนทำการตรวจสอบหรือบำรุงรักษาอุปกรณ์ ให้ปิดมอเตอร์และถอดฝาครอบหัวเทียนหรือด้ามเบรคหรืออก มิฉะนั้นใบเลื่อยหรือชิ้นส่วนอื่นๆ อาจเคลื่อนไหวและก่อให้เกิดการบาดเจ็บร้ายแรง

⚠ คำเตือน: ก่อนทำการควบคุมหรือทำงานกับใบเลื่อย ให้สวมถุงมือป้องกันและใส่ฝากรอบใบเลื่อยลงบนใบเลื่อย ระหว่างการประกอบหรือการปรับ นิ้วของคุณอาจสัมผัสกับใบเลื่อยและอาจก่อให้เกิดการบาดเจ็บร้ายแรง

⚠ คำเตือน: เมื่อทำการตรวจสอบหรือบำรุงรักษาอุปกรณ์ ให้วางเครื่องลงเสมอ การประกอบหรือปรับเปลี่ยนอุปกรณ์ในตำแหน่งแนวตั้งอาจก่อให้เกิดการบาดเจ็บร้ายแรง

⚠ คำเตือน: ปฏิบัติตามคำเตือนและข้อควรระวังในบท "คำแนะนำด้านความปลอดภัยที่สำคัญ" และคู่มือคำแนะนำของชุดต้นกำลัง

การตรวจสอบใบเลื่อย

ตรวจสอบความเสียหาย รอยแตก และขอบที่ของใบเลื่อยเป็นประจำทุกวัน สอบถามศูนย์บริการที่ผ่านการรับรองของเราให้เปลี่ยนใบเลื่อยที่เสียหายหรือลับใบเลื่อยที่ถือให้

การปรับตั้งระยะห่างของใบมีด

ใบเลื่อยด้านบน/ด้านล่างจะค่อยๆ สึกหลังจากการใช้งาน หากคุณไม่สามารถทำการตัดอย่างเรียบได้แม้ว่าใบเลื่อยจะมีความคมเพียงพอ ให้ปรับระยะห่างดังนี้

ความแน่นของสลักเกลียวหกเหลี่ยมจะเป็นตัวกำหนดระยะห่างของใบเลื่อย น็อตจะยึดสลักเกลียวหกเหลี่ยมไว้ด้วยความแน่นในระดับหนึ่ง ช่องว่างที่หลวมเกินไปจะทำให้ตัดได้ไม่คม แต่ช่องว่างที่แน่นเกินไปจะทำให้เกิดความร้อนโดยไม่จำเป็นและทำให้ใบเลื่อยสึกหรอเร็วขึ้น

1. คลายน็อตด้วยประแจ
2. ขันสลักเกลียวหกเหลี่ยมเบาๆ จนสลักเกลียวหยุด แล้วจึงขันสกรูกลับไปประมาณหนึ่งส่วนสี่รอบถึงครึ่งรอบในแต่ละครั้งเพื่อให้ได้ระยะห่างที่จำเป็น
3. ยึดสลักเกลียวหกเหลี่ยมไว้และขันน็อต
4. ใส่น้ำมันเล็กน้อยบนผิวหน้าการเสียดสีของใบเลื่อย
5. เริ่มใช้งานมอเตอร์และใช้สวิทช์เปิดปิดเป็นเวลา 1 นาที
6. วัดระยะเวลาที่จำเป็นในการที่ใบเลื่อยจะหยุดหลังจากปล่อยสวิทช์เปิดปิด หากใช้เวลา 2 วินาทีขึ้นไป ให้ปิดมอเตอร์และทำขั้นตอนที่ 1 ถึง 6 ซ้ำ
7. ปิดสวิทช์มอเตอร์และแกะผิวหน้าของใบเลื่อย หากผิวหน้าไม่ร้อนเกินกว่าจะแตะได้ นั่นคือคุณได้ทำการปรับที่เหมาะสมแล้ว หากผิวหน้าร้อนเกินกว่าจะแตะได้ ให้หมุนสลักเกลียวหกเหลี่ยมกลับเล็กน้อยและทำขั้นตอนที่ 5 ถึง 7 ซ้ำ

► **หมายเลข 11:** 1. น็อต 2. ใบมีดด้านบน 3. ใบมีดด้านล่าง 4. แผ่นรอง 5. สลักเกลียวหกเหลี่ยม

การหล่อลื่นชิ้นส่วนที่เคลื่อนไหว

ข้อสังเกต: ปฏิบัติตามคำแนะนำเรื่องความถี่และปริมาณในการใช้จาระบี มิฉะนั้น ชิ้นส่วนเคลื่อนไหวอาจเกิดความเสียหายได้หากมีการหล่อลื่นไม่เพียงพอ

► **หมายเลข 12**

การปะกุกเฟือง:

⚠ ข้อควรระวัง: ห้ามทาจาระบีที่กระปุกเฟืองเกียร์ขณะที่ยังร้อน กระปุกเฟืองเกียร์ที่ยังร้อนอาจทำให้เกิดแผลไหม้ได้

ทาจาระบีทุกๆ 25 ชั่วโมงการทำงาน

1. รูจาระบีอยู่ใต้สลักเกลียว ถอดสลักเกลียวเพื่อทำการหล่อลื่น
2. หยดสารหล่อลื่นประมาณ 3 g (4 cc) ลงที่จุด A กระปุกเฟืองเกียร์ และหยดสารหล่อลื่นประมาณ 5 g (7 cc) ลงที่จุด B ในรูจาระบีตามลำดับ

3. ใส่สลักเกลียวกลับไปหลังจากหล่อเสร็จ

▶ หมายเลข 13: 1. รูจาระบี

หมายเหตุ: หลังจากเติมจาระบีในปริมาณที่ถูกต้องแล้ว จาระบีจะออกมาจากรูฐานของใบเลื่อยเล็กน้อยระหว่างการใช้งานครั้งแรก

เพลาชับ:

ทาจาระบีทุกๆ 25 ชั่วโมงการทำงาน

▶ หมายเลข 14

การตรวจสอบทั้งหมด

- ชั้นสลักเกลียว น็อต และสกรูที่หลวมให้แน่น
- ตรวจสอบชิ้นส่วนและใบเลื่อยที่เสียหาย สอบถามศูนย์บริการที่ผ่านการรับรองของเราให้ทำการเปลี่ยนชิ้นส่วนหากจำเป็น

การเก็บรักษา

▲ คำเตือน: ปฏิบัติตามคำเตือนและข้อควรระวังในบท “คำแนะนำด้านความปลอดภัยที่สำคัญ” และคู่มือคำแนะนำของชุดต้นก่าลัง

เมื่อทำการจัดเก็บอุปกรณ์เสริม นำเอาออกจากพาวเวอร์ยูนิटक่อนเสมอ

1. โยคันโยคไปตามทิศทางที่ระบุในรูปและดึงเอาอุปกรณ์เสริมออกขณะกดปุ่มปล่อย

▶ หมายเลข 15: 1. คันลีด 2. ปุ่มปล่อย 3. อุปกรณ์เสริม

2. ดัดฝาครอบใบมีด ถัดตามของเครื่องตัดไว้ และพับใบมีดตามภาพขณะที่ดึงที่ล็อกมุม

▶ หมายเลข 16: 1. ที่ล็อกมุม 2. ต่อด้ามของเครื่องตัด

3. ปิดฝาที่ปลายของแกนเพลาชับ

▶ หมายเลข 17

รอบการบำรุงรักษา

		ก่อนใช้งาน	ทุกวัน (10 ชม.)	25 ชม.	หากจำเป็น
ทั้งหมด	ตรวจสอบชิ้นส่วนที่เสียหายด้วยตา	○	-	-	-
สกรูและน็อตที่ใช้ยึดทุกตัว	ขันแน่น	○	-	-	-
ใบมีด	ตรวจสอบความเสียหายรอยแตก และขอบที่ทื่อ	-	○	-	-
	ปรับตั้งระยะห่าง	-	-	-	○
กระปุกเฟือง	ใส่จาระบี	-	-	○	-
เพลาชับ	ใส่จาระบี	-	-	○	-
ชุดต้นก่าลัง	อ้างอิงคู่มือคำแนะนำของชุดต้นก่าลัง				

การแก้ไขปัญหา

สภาวะความผิดปกติ	สาเหตุที่เป็นไปได้ (การทำงานผิดปกติ)	การแก้ไข
มอเตอร์ไม่เริ่มทำงาน	อ้างอิงคู่มือคำแนะนำของชุดต้นก่าลัง	อ้างอิงคู่มือคำแนะนำของชุดต้นก่าลัง
มอเตอร์หยุดหลังจากเริ่มทำงานไม่นานนัก	อ้างอิงคู่มือคำแนะนำของชุดต้นก่าลัง	อ้างอิงคู่มือคำแนะนำของชุดต้นก่าลัง
ความเร็วสูงสุดถูกจำกัด	อ้างอิงคู่มือคำแนะนำของชุดต้นก่าลัง	อ้างอิงคู่มือคำแนะนำของชุดต้นก่าลัง
ใบเลื่อยไม่ขยับ ⇒ หยุดมอเตอร์ทันที!	มุมที่ไม่เหมาะสมของชุดตัด	ตรวจสอบให้แน่ใจว่าการล็อกมุมอย่างเหมาะสม
ใบเลื่อยไม่ขยับ ⇒ หยุดมอเตอร์ทันที!	กึ่งไม้ติดอยู่กับใบเลื่อย	เอาสิ่งแปลกปลอมออก
ใบเลื่อยไม่ขยับ ⇒ หยุดมอเตอร์ทันที!	ระบบขับเคลื่อนไม่ทำงานอย่างเหมาะสม	สอบถามศูนย์บริการที่ผ่านการรับรองของเราให้ทำการตรวจสอบและซ่อมแซม
อุปกรณ์สันผิดปกติ ⇒ หยุดมอเตอร์ทันที!	ระบบขับเคลื่อนไม่ทำงานอย่างเหมาะสม	สอบถามศูนย์บริการที่ผ่านการรับรองของเราให้ทำการตรวจสอบและซ่อมแซม
ใบเลื่อยไม่หยุดหมุน ⇒ หยุดมอเตอร์ทันที!	ชุดต้นก่าลังไม่ทำงานอย่างเหมาะสม	อ้างอิงคู่มือคำแนะนำของชุดต้นก่าลัง

อุปกรณ์เสริม

▲ ข้อควรระวัง: ขอแนะนำให้เลือกใช้อุปกรณ์เสริมหรืออุปกรณ์ต่อพ่วงเหล่านี้กับเครื่องมือ Makita ที่ระบุในคู่มือ การใช้อุปกรณ์เสริมหรืออุปกรณ์ต่อพ่วงอื่นๆ อาจมีความเสี่ยงที่จะได้รับบาดเจ็บ ใช้อุปกรณ์เสริมหรืออุปกรณ์ต่อพ่วงตามวัตถุประสงค์ที่ระบุไว้เท่านั้น

หากต้องการทราบรายละเอียดเพิ่มเติมเกี่ยวกับอุปกรณ์เสริมเหล่านี้ โปรดสอบถามศูนย์บริการ Makita ใกล้บ้านคุณ

- ชุดใบเลื่อย
- ชุดจาระบี

หมายเหตุ: อุปกรณ์บางรายการอาจจะรวมอยู่ในชุดเครื่องมือเป็นอุปกรณ์มาตรฐาน ซึ่งอาจแตกต่างกันไปในแต่ละประเทศ

规格

型号:	EN420MP
尺寸 (长 × 宽 × 高)	1,324 mm x 104 mm x 103 mm (52" x 4-1/8" x 4-1/16")
净重	2.6 kg (5.93 lbs)
有效切割长度	250 mm (9-7/8")
齿轮比率	1: 4.78

- 生产者保留变更规格不另行通知之权利。
- 规格可能因销往国家之不同而异。

认可的动力机

警告： 切勿在未经认可的动力机上使用该刀头总成。在未经认可的动力机上使用该刀头总成可能会造成严重伤害。

该刀头总成仅可与以下动力机组合使用：

- (多功能动力机)
EX2650LH
- (充电式多功能动力机)
BUX360、BUX361、BUX362、UX360D、UX361D、
UX362D、*DUX60、*XUX01、*DUX18、*XUX02、
*UX01G、*GUX01 (*仅这些型号经UL认证)

符号

以下显示本设备可能会使用的符号。在使用工具之前，请务必理解其含义。



阅读并遵循使用说明书。



特别小心和注意!



禁止!



小心电气线路。存在触电危险。



危险 - 手应远离刀片。



佩戴防护手套。



佩戴防护头盔、护目镜和耳罩。



穿戴具有防滑底的结实靴。



请使旁观者或动物远离电动工具至少15 m 距离。



请确保操作区域无任何人员或宠物。



灼热表面 - 烫伤手指或手部。



急救

用途

本装置仅设计用于结合使用许可的动力单元切割地面上的灌木、绿篱和杂草。切勿将装置用于其他用途。不当使用可能会造成严重伤害。

安全警告

篱笆修剪机安全警告

1. 请勿使身体的任何部位靠近刀片。刀片转动时，请勿清除切屑或握住要切割的材料。开关关闭后，刀片仍会继续转动。在操作篱笆修剪机期间，分心可能会导致严重的人身伤害。
2. 刀片停止转动后，握住篱笆修剪机的手柄，注意不要操作任何电源开关。正确拿起篱笆修剪机将减少意外启动和由刀片造成人身伤害的风险。
3. 运输或存放篱笆修剪机时，请务必安装刀片罩。正确操作篱笆修剪机将减少由刀片造成人身伤害的风险。
4. 清除堵料或维修装置时，请确保所有电源开关都已关闭，并且电池组已卸下或断开。清除堵料或进行维修时，意外操作篱笆修剪机可能会导致严重的人身伤害。
5. 仅握住篱笆修剪机的绝缘抓取面，因为刀片可能会接触到隐藏的电线。刀片接触“带电”的电线可能会使篱笆修剪机的裸露金属部件“带电”，并可能使操作人员触电。
6. 使所有电线和电缆远离切割区域。电源线或电缆可能隐藏在篱笆或灌木丛中，并可能会被刀片意外割断。
7. 请勿在恶劣的天气条件下，尤其是在有雷击的风险时使用篱笆修剪机。这会降低被雷击的风险。

加长型篱笆修剪机使用安全警告

1. 为降低触电风险，切勿在任何电源线附近使用加长型篱笆修剪机。与电源线接触或在其附近使用修剪机可能会导致严重的人身伤害或触电，从而导致死亡。
2. 请务必双手操作加长型篱笆修剪机。双手握持篱笆修剪机以避免失控。
3. 在超过头部位置操作加长型篱笆修剪机时，请务必使用头部保护装置。跌落碎片可能会造成严重的人身伤害。

重要安全注意事项

警告： 请通读本手册和动力机使用说明书中的所有警告和说明。若不遵循警告和说明事项，可能导致触电、起火和/或严重的人身伤害。

警告： 请保留所有的警告和说明事项，以备日后参考。

警告和注意事项中的术语“剪草/绿篱机”和“设备”系指装置和动力单元组合。

警告和注意事项中的术语“电机”指代动力机的引擎或电机。

一般注意事项

1. 启动剪草/绿篱机前，请阅读动力单元的手册和使用说明书以熟悉剪草/绿篱机的操作。
2. 切勿将本装置借予缺乏剪草/绿篱机操作经验或知识的人员。
3. 借出本刀头总成时，请务必附上使用说明书。
4. 切勿允许儿童或不满18岁的人员使用剪草/绿篱机。使他们远离剪草/绿篱机。
5. 使用剪草/绿篱机时请务必特别小心谨慎。
6. 请勿在疲惫、生病时，或者在酒精、麻醉品或其他药物作用下影响下操作本装置。
7. 切勿尝试改装篱笆修剪机。
8. 请遵循当地剪草/绿篱机的相关法规。

个人防护设备

► 图片1

1. 务必穿着长裤、靴子、手套和长袖衬衫。请勿佩戴首饰，穿着宽松的衣服、短裤、凉鞋或赤脚。扎起头发，使头发在肩部以上。
2. 请佩戴安全头盔，护目镜和防护手套以免受飞溅碎片或掉落物体的伤害。
3. 请佩戴耳罩等护耳设备以免听力受损。
4. 请穿戴合适的衣服和鞋（例如工作服和具有防滑底的结实靴）以确保操作安全。请勿穿戴宽松的衣服或佩带首饰。宽松的衣服、首饰或长头发会被卷入运动部件中。
5. 接触刀片或调节刀片角度时，请佩戴防护手套。刀片会严重割伤裸手。

工作区域安全事项

警告： 使剪草/绿篱机远离电线和通信电缆。剪草/绿篱机触碰或接近高压线路可能会造成死亡或严重伤害。开始操作前，请注意工作区域周围的电力线和电力围栏。

警告： 使用本机时产生的粉尘含化学物质，可能会导致呼吸类疾病或其他疾病。例如其中一些化学物质为杀虫剂，农药，化肥和除草剂中含有的化合物。根据您的进行该类型作业的频率，您暴露于这些化学物质的危险程度有所不同。为尽量避免受到这些化学物质的影响：请保持工作区域通风良好，并使用认可的安全设备，如专门用于过滤精细微粒的防尘面罩等。

1. 仅可在可视性良好且光线充足的情况下操作本剪草/绿篱机。切勿在黑暗或雾霾环境中操作本剪草/绿篱机。
2. 仅可在通风良好的户外条件下启动和操作引擎。在狭小封闭或通风条件差的环境下操作会导致人体因缺氧和一氧化碳中毒而死亡。
3. 操作期间，切勿站在打滑不稳的表面或陡坡上。寒冷季节，请警惕冰雪并时刻确保立足稳固。
4. 操作期间，请使旁观者或动物远离剪草/绿篱机至少15米距离。有人接近时，请立即停止发动机。
5. 操作前，请检查工作区域是否有铁丝网、石子或其他坚硬物体。此类物体会损伤刀片。

操作

1. 组装和调节本设备前，请关闭电机并取下火花塞帽或电池组。
2. 组装刀片或调节切割角度前，请佩戴防护手套。
3. 启动电机前，请检查设备是否存在损坏，螺丝/螺母松动或者组装不当。如果刀片有裂缝、弯曲或受损，请更换刀片。请检查并确保所有的控制杆和按钮可以正常工作。清洁并擦干把手。
4. 如果设备有损坏或未安装完毕，切勿尝试启动电机。否则可能会导致严重的人身伤害。
5. 启动发动机前，请仔细检查并确保刀片未接触地面、身体和其他物体。在刀片接触异物的情况下启动发动机会造成严重的伤害事故。
6. 请根据操作者的身材合理调节肩带和手柄。

操作

1. 使用期间确保手、脚以及装置位于正确的位置。双脚站稳并保持平衡。操作时请勿将手伸得过长。身体各部位应与切割装置以及灼热表面保持一定距离。
 2. 出现紧急事件时，请立刻关闭电机。
 3. 如果在操作期间感觉有任何的不妥（例如噪音、振动），请关闭发动机。找出并解决问题后方可使用本剪草/绿篱机。
 4. 松开油门扳机或关闭电机后刀片会在短时间内继续移动。切勿急于接触刀片。
 5. 仅在引擎怠速运行时安装肩带。
 6. 操作期间，请使用肩带。使剪草/绿篱机牢固位于身体右侧。
- 图片2
7. 无论您习惯使用左手还是右手，请都用左手握住前把手，右手握住后把手。五指握住把手。
 8. 切勿尝试单手操作本设备。失控会导致严重或致命伤害。为降低人身伤害风险，请使手和脚都远离刀片。
 9. 操作时手不要伸得太长。操作时请双脚站稳，始终保持平衡。注意观察是否有隐藏的障碍物，例如树桩，树根和沟渠等以免被绊倒。请清理掉落的树枝等其他物体。
 10. 切勿在梯子或树上进行作业，以免失控。
 11. 切勿将机器提到肩膀的高度进行操作。

12. 操作期间，切勿使刀片触碰坚硬物体的表面，例如石头或金属。尤其是在铁丝网围栏附近操作时要特别小心。在离地面较近的位置操作时，确保刀片不会碰到沙子、砂石和石头。
13. 如果刀片碰到石头或其他坚硬物体，请立即停止电机，并在移除火花塞帽或电池组后检查刀片是否受损。如果刀片有任何损伤，请予以更换。
14. 如果较粗的枝干卡入刀片，请立即关闭发动机，放下剪草/绿篱机，然后在拆下火花塞或电池组后移除阻塞物。再次使用装置前，请检查刀片是否受损。
15. 切勿触摸或靠近运行中的刀片。刀片可以轻易割伤手指。处理刀片或调节刀片角度时，请关闭电机并取下火花塞帽或电池组。
16. 刀片受阻时，如果增大负载加速电机则会导致电机和/或离合器受损。
17. 操作期间，请经常检查刀片是否有裂痕或变钝。检查前，请关闭电机并等待刀片完全停止。必须立刻更换损坏或变钝的刀片，即使只是表面的浅裂痕也要及时更换。
18. 如果设备遭到严重撞击或摔落，请在继续工作前检查机器状态。检查燃料系统是否存在燃料泄露，控制和安全刀头总成是否存在故障。如果有任何损坏或疑问，请我们的授权维修中心进行检查和修复。
19. 不可触摸齿轮箱。齿轮箱在操作期间会产生高温。
20. 注意休息，以免疲劳操作导致失控。建议每隔1小时休息10到20分钟。
21. 如要离开设备，即使是短时间离开，也请务必关闭引擎或拆下电池组。无人照看引擎运转的设备时，工具可能会被闲杂人员使用，并导致严重事故。
22. 切割前，完全扣动油门拉杆以获得最大速度。
23. 按照动力机的使用说明书合理使用控制拉杆和开关。
24. 操作期间或操作结束后，请勿将发热的设备放在干草或易燃物体上。

运输

1. 运输本设备前，请关闭电机并取下火花塞帽或电池组。运输期间需始终安装刀片保护罩。
2. 携运本设备时，请紧握轴部水平携带。身体远离发热的消音器。
3. 使用车辆运输本设备时，请将其固定以免翻滚。否则可能会导致燃料泄露损坏工具或其它行李。

保养

1. 对本设备进行保养或修理工作或清洁前，请关闭电机并取下火花塞帽或电池组。等待电机冷却。
2. 为降低火灾风险，切勿在火源附近维修设备。
3. 处理刀片时，请务必佩戴防护手套。
4. 请务必清理设备上的灰尘和泥土。切勿使用汽油、苯、稀释剂、酒精或类似物品清洁工具进行清洁。否则可能会导致塑料部件变色，变形或产生裂纹。
5. 每次使用完毕后，请紧固所有螺丝和螺母，化油器调节螺丝除外。
6. 保持切割工具的锋利。如果刀片变钝且切割能力下降，请联系Makita（牧田）授权的维修服务中心更换刀片。
7. 切勿通过矫直或焊接的方式修复弯折或受损的刀片。可能会导致刀片的碎片脱离，导致严重人身伤害。请联系当地的Makita（牧田）授权维修服务中心更换原装刀片。
8. 请勿尝试进行本手册或动力机使用说明书中未提及的保养或修理。请授权维修中心进行此类工作。
9. 请仅使用Makita（牧田）原装正品配件和附件。使用第三方提供的配件或附件可能会导致设备故障，财产损失和/或严重的人身伤害。
10. 请定期要求授权维修中心检查并维护剪草/绿篱机。

存放

1. 存放本设备前，进行全面清洁和维护。安装刀片保护罩。
2. 请将本设备放置在干燥的高处或加锁位置，避免儿童接触。
3. 请勿将本装置倚靠在墙上或其他物体上。否则可能会摔落剪草/绿篱机导致人身伤害。

急救

1. 请确保附近有急救箱可用。立即更换取自急救箱中的所有物品。
2. 寻求帮助时，请给出以下信息：
 - 事故地点
 - 事故经过
 - 受伤人数
 - 受伤性质
 - 您的名称

部件说明

- **图片3:** 1. 刀片 2. 齿轮箱 3. 切刀单元把手 4. 角锁 5. 盖子 6. 刀片罩

装配

警告： 组装和调节本设备前，请关闭电机并取下火花塞帽或电池组。否则刀片或其他部件可能会运行导致严重人身伤害。

警告： 处理刀片或在刀片附近工作前，请佩戴防护手套，并装上刀片防护罩。否则刀片会严重割伤裸手。

警告： 组装或调节设备时，请始终将其放下。组装或调节设备时直立放置设备可能导致严重人身伤害。

警告： 遵循“安全注意事项”章节以及动力机使用说明书中的警告和注意事项。

警告： 在操作设备之前，请确保已拧紧锁定杆。

将该刀头总成安装至动力机

将该刀头总成安装至动力机时，请遵循以下步骤。

1. 确保锁定杆未紧固。
2. 将销钉与箭头标记对齐。
3. 将轴插入动力机驱动轴直至到达位置线，且释放按钮弹起。
4. 如图所示紧固锁定杆。

► **图片4:** 1. 锁定杆 2. 释放按钮 3. 箭头标记 4. 销 5. 位置线

要拆下刀头总成，请反方向旋转锁定杆将其拧松，按锁定按钮并拉回轴。

注意： 未插入装置的轴时请勿紧固锁定杆。否则锁定杆可能过度紧固驱动轴开口部分，导致其受损。

切割角度调整

小心： 调整切割角度时，请务必关闭发动机并拆下电池组，然后将剪草/绿篱机平放在地面上。

小心： 剪草/绿篱机处于竖立位置时，请勿调整切割角度。

小心： 调整切割角度时，请务必使用附带的刀片罩固定刀片。

小心： 调整切割角度时，请务必使用切刀单元把手。握持刀片可能会造成人身伤害。

在拉角锁的同时握住切刀单元把手并移动刀片。切割角度可在图中所示范围内调整。

► **图片5:** 1. 角锁 2. 切刀单元把手

注： 切刀单元仅可按一定的角度沿单元上的凹槽固定。请确保切刀单元正确锁紧。如果角度不合适，离合器会断开并且工具无法运转。

如果切刀单元松动，则需要拧紧螺栓（角度调整轴）。在螺栓上使用套筒扳手和六角扳手。通过转动六角扳手调整切刀单元的紧固程度，然后转动套筒扳手紧固螺栓。

► **图片6:** 1. 套筒扳手 2. 螺栓 3. 六角扳手

注： 请勿过度拧紧切刀单元。如果过紧，则无法改变切刀单元的角度。

操作

警告： 如果刀片在怠速时移动，请降低引擎的怠速速度。否则关闭油门时无法停止刀片，可能会导致严重伤害。

警告： 遵循“重要安全注意事项”章节以及动力机使用说明书中的警告和注意事项。

杂草剪切

剪切杂草时，请遵循以下步骤。

1. 完全拉动油门拉杆。
 2. 向杂草施加刀片时使其与地面平行。
 3. 从右向左摆动式剪切杂草。
- **图片7**

绿篱修剪

竖直修剪绿篱时，请遵循以下步骤。

1. 完全拉开油门拉杆。
 2. 向绿篱施加刀片时使其相互平行。
 3. 从下向上摆动式修剪绿篱。
- **图片8**

水平修剪绿篱时，请遵循以下步骤。

1. 完全拉动油门拉杆。
 2. 以15°至30°的角度向绿篱施加刀片。
- **图片9**
3. 从右向左摆动式修剪绿篱。
- **图片10**

保养

警告： 检查和维护本设备前，请关闭电机并取下火花塞帽或电池组。否则刀片或其他部件可能会运行导致严重人身伤害。

警告： 处理刀片或在刀片附近工作前，请佩戴防护手套，并装上刀片防护罩。组装或调节期间，手指可能会触碰刀片导致严重伤害。

警告： 检查或保养装置前，请务必放下装置。在竖立位置装配或调整装置可能会造成严重的人身伤害。

警告： 遵循“重要安全注意事项”章节以及动力机使用说明书中的警告和注意事项。

检查刀片

经常检查刀片是否有受损、裂缝或变钝的情况。请联系Makita（牧田）授权的维修服务中心更换受损或变钝的刀片。

调节刀片间距

操作后上部/下部刀片会逐渐磨损。如果刀片锋利但切割不顺畅，请调节间距如下。

六角螺栓的紧固程度决定刀片之间的间距。螺母为六角螺栓提供一定的紧固力。间距过疏会导致切割不顺畅，而间距过密则会导致产生不必要的热量，加快了刀片的磨损。

1. 用扳手松开螺母。
2. 轻轻紧固六角螺栓直至其停止。然后，将其拧松四分之一圈至半圈来获取必要的间距。
3. 稳住六角螺栓紧固螺母。
4. 在刀片的摩擦面涂抹低粘度油。
5. 启动电机并对油门进行一分钟的开启和关闭操作。
6. 测算松开油门后直到刀片停止的必要时间。如果为两秒或以上，请关闭电机，然后重复步骤1至6。

7. 关闭电机，触摸刀片表面。如果刀片未感觉烫手，说明调节合理。如果感觉烫手，请稍稍松开六角螺栓，然后重复步骤5至7。

► **图片11:** 1. 螺母 2. 上部锯片 3. 下部锯片 4. 板 5. 六角螺栓

润滑移动部件

注意: 按照频度说明涂抹一定量的油脂。否则不充分的润滑可能会损坏运动部件。

► **图片12**

齿轮箱:

小心: 请勿在齿轮箱灼热时涂抹油脂。灼热的齿轮箱会造成烫伤。

每隔25个工作小时添加一次润滑脂。

1. 润滑孔位于螺栓下方。拆下螺栓进行润滑。
2. 通过油孔分别向齿轮箱的A点添加3 g (4 cc) 的润滑油并向B点添加5 g (7 cc) 的润滑油。
3. 润滑后还原螺栓。

► **图片13:** 1. 润滑孔

注: 添加正确量的润滑脂后，首次操作时润滑脂会从刀片的基座中渗漏少许。

驱动轴:

每隔25个工作小时添加一次润滑脂。

► **图片14**

整机检查

- 紧固松开的螺栓、螺母和螺丝。
- 检查零件和刀片是否受损。如需更换，请联系Makita（牧田）授权的维修服务中心进行更换。

存放

警告: 遵循“重要安全注意事项”章节以及动力机使用说明书中的警告和注意事项。

存放装置时，请务必将其从动力单元上拆下。

1. 朝图中所示方向转动锁定杆并在按下释放按钮的同时拉出装置。

► **图片15:** 1. 锁定杆 2. 释放按钮 3. 装置

2. 安装刀片罩。在拉角锁的同时握住切刀单元把手并折叠刀片。

► **图片16:** 1. 角锁 2. 切刀单元把手

3. 在轴的端部装上盖子。

► **图片17**

维修保养间隔

		操作前	日常维护 (10小时)	25小时	如有必要
整体装置	目测检查是否有部件受损	○	-	-	-
所有起固定作用的螺钉和螺母	拧紧	○	-	-	-
刀片	检查受损、裂缝和变钝情况	-	○	-	-
	调节间距	-	-	-	○
齿轮箱	添加润滑脂	-	-	○	-
驱动轴	添加润滑脂	-	-	○	-
动力机	请参阅动力机的使用说明书				

故障排除

异常状态	可能原因 (故障)	纠正措施
电机无法启动。	请参阅动力机的使用说明书。	请参阅动力机的使用说明书。
电机启动后马上停止。	请参阅动力机的使用说明书。	请参阅动力机的使用说明书。
超过最大速度限制。	请参阅动力机的使用说明书。	请参阅动力机的使用说明书。
刀片无法移动。 ⇒ 立即停止电机!	切割装置的角度不正确。	请确保角度锁正确啮合。
刀片无法移动。 ⇒ 立即停止电机!	刀片被小枝卡住。	清除异物。
刀片无法移动。 ⇒ 立即停止电机!	驱动系统未正常工作。	请联系Makita（牧田）授权的维修服务中心进行检查和修理。
装置异常振动。 ⇒ 立即停止电机!	驱动系统未正常工作。	请联系Makita（牧田）授权的维修服务中心进行检查和修理。
刀片无法停止。 ⇒ 立即停止电机!	动力机未正常工作。	请参阅动力机的使用说明书。

选购附件

小心: 这些附件或装置专用于本说明书所列的Makita（牧田）工具。如使用其他厂牌附件或装置，可能导致人身伤害。仅可将附件或装置用于规定目的。

如果您需要了解更多关于这些选购附件的信息，请咨询当地的Makita（牧田）维修服务中心。

- 刀片组
- 油脂组件

注: 本列表中的一些部件可能作为标准配件包含于工具包装内。它们可能因销往国家之不同而异。

規格

型號：	EN420MP
尺寸(長 × 寬 × 高)	1,324 mm x 104 mm x 103 mm (52" x 4-1/8" x 4-1/16")
淨重	2.6 kg(5.93 lbs)
有效切割長度	250 mm(9-7/8")
齒輪比率	1 : 4.78

- 生產者保留變更規格不另行通知之權利。
- 規格可能因銷往國家之不同而異。

認可的動力裝置

警告：切勿將本組件和未經認可的動力裝置組合使用。未經認可的組合可能會造成嚴重的傷害。

該組件僅可與以下認可的動力裝置組合使用：

- (多功能動力機)
EX2650LH
- (充電式多功能動力機)
BUX360、BUX361、BUX362、UX360D、UX361D、UX362D、*DUX60、*XUX01、*DUX18、*XUX02、*UX01G、*GUX01 (*僅限這些通過 UL 認證的型號)

符號

以下顯示本設備可能使用的符號。在使用工具前，請務必理解其涵義。



閱讀並遵循使用說明書。



特別小心和注意。



禁止!



留意電氣線路。存在觸電風險。



危險 - 將手保持遠離刀片。



佩帶保護手套。



請佩帶保護頭盔、護目鏡和護耳罩!



穿著具有防滑底的結實靴。



確保工具的15 m範圍內無旁觀者或動物。



確保操作區域沒有人員和寵物。



高溫表面 - 對手指或雙手造成灼傷。



急救

用途

本組件設計僅用於結合使用許可的動力裝置切割地面上的灌木、樹籬和雜草。切勿將組件用於他用。不當使用可能會造成嚴重傷害。

安全警告

樹籬剪安全警告

1. 請將所有身體部位遠離刀片。刀片移動時，請勿移除切割材料或握住要切割的材料。開關關閉後，刀片會繼續移動。操作樹籬剪時若稍有分心，便會造成嚴重的人員傷害。
2. 在刀片停止運轉的情況下從把手搬運樹籬剪，並小心不要操作任何電源開關。正確搬運樹籬剪將可降低意外啟動及刀片造成人員受傷的風險。
3. 搬運或存放樹籬剪時，務必裝上刀片罩。正確操作樹籬剪將可降低刀片造成人員受傷的風險。
4. 清理卡住的材料或維修裝置時，務必關閉所有電源開關並取下或中斷連接電池組。若樹籬剪在清理卡住的材料或維修時意外作動，可能造成嚴重的人員傷害。
5. 由於刀片可能接觸隱藏的線路，因此僅限從絕緣的抓握表面握住樹籬剪。刀片接觸「帶電」的線路可能使樹籬剪的外露金屬部位「帶電」，而可能導致作業員觸電。
6. 所有電源線及纜線皆不可靠近切割區域。電源線或纜線可能隱藏在樹籬或樹叢中，而遭刀片意外切割。
7. 請勿在惡劣天候下使用樹籬剪，特別是可能出現閃電時。此可減少發生被閃電擊中的危險。

伸縮式電動樹籬剪安全警告

1. 為降低觸電死亡的風險，禁止在任何電源線路附近使用伸縮式樹籬剪。接觸或在電源線路附近使用可能導致嚴重傷害或觸電死亡。
2. 操作伸縮式電動樹籬剪時務必使用雙手。雙手握住伸縮式電動樹籬剪可避免機器失控。
3. 在高處操作伸縮式電動樹籬剪時，務必穿戴頭部防護。落下的碎片可能會造成嚴重的人身傷害。

重要安全須知

警告：閱讀本手冊和動力裝置說明書中的所有警告和說明。未按照以下列舉的警告和安全事項而使用或操作可能導致觸電、火災和/或嚴重傷害。

警告：妥善保存所有的警告和安全事項說明以備將來參考。

警告和注意事項中的詞彙“樹籬割草機”和“設備”系指組件和動力裝置組合。

警告和注意事項中的術語“電機”是指動力裝置的引擎或電機。

一般注意事項

1. 啟動樹籬割草機前，請閱讀動力裝置的手冊和使用說明書以熟悉樹籬割草機的操作。
2. 請勿將樹籬割草機借給不熟悉樹籬割草機操作方法的人員使用。
3. 借出本裝置時，請務必附上本使用說明書。
4. 請勿允許兒童或不滿18歲的人員使用樹籬割草機。使他們遠離樹籬割草機。
5. 使用樹籬割草機時務必特別小心和注意。
6. 請勿在感覺疲勞、身體不適或者在酒精、藥物或治療的影響下操作本裝置。
7. 切勿嘗試改裝本裝置。
8. 按照貴國家關於樹籬割草機的規定進行操作。

安全裝置

► 圖片1

1. 務必穿著長褲、靴子、手套及長袖上衣。請勿穿戴寬鬆衣物、珠寶、短褲、涼鞋或是赤腳。將頭髮綁起，勿過肩。
2. 佩帶安全頭盔、保護眼鏡和保護手套以防止受到飛濺碎片或下落物體的傷害。
3. 佩帶耳罩等護耳裝置以防止聽力受損。
4. 穿著合適的衣服及鞋子以確保安全操作，如工作服及結實的防滑鞋。不要穿寬鬆衣服或佩帶飾品。寬鬆衣服、佩飾或長發易卷入運動部件。
5. 接觸刀片或調節刀片角度時，請佩戴防護手套。否則刀片可能會嚴重傷及手部。

工作場地安全

▲警告：使樹籬割草機遠離電線和通信電纜。樹籬割草機觸碰或接近高壓線路可能會造成死亡或嚴重傷害。開始操作前，請注意工作區域周圍的電力線和電力圍欄。

▲警告：使用本產品可能會擊起含有化學物質的粉塵，這可能會導致呼吸困難或其他疾病。例如，這些化學物質可能含有殺蟲劑、肥料和除草劑。暴露於此類物質的危險程度取決於您做該類工作的頻度。為降低您暴露於此類化學物質的程度：請在通風良好的區域進行作業並使用經認可的安全裝置，如特別設計用於過濾細微顆粒的防塵面罩。

1. 僅在立足穩固且光線充足的條件下操作樹籬割草機。請勿在昏暗或模糊的條件下操作樹籬割草機。
2. 僅可在通風良好的戶外條件下啟動和操作引擎。在狹小封閉或通風條件差的環境下操作會導致人體因缺氧和一氧化碳中毒而死亡。
3. 操作期間，切勿立足於不穩固、打滑或陡坡上。在冬季，要注意冰雪並確保立足穩固。
4. 操作期間，確保樹籬割草機的15米範圍內無旁觀者或動物。若有他人靠近，請立即停止發動機。
5. 操作之前，請檢查作業區域是否有鐵絲柵欄、石塊或其他堅硬物體。此類物體會損傷刀片。

啟動工具

1. 組裝和調節本設備前，請關閉電機並取下火花塞帽或電池組。
2. 組裝刀片或調節切割角度前，請佩帶保護手套。
3. 啟動電機前，請檢查是否有設備受損、螺絲/螺母鬆開或裝配錯誤等異常。請更換有裂縫、彎折或受損的刀片。檢查所有控制桿和開關，確保其可操作自如。清潔並乾燥手柄。
4. 切勿嘗試啟動受損或未完全裝配的設備。否則，可能會造成嚴重的人身傷害。
5. 啟動發動機前，請仔細檢查並確保刀片未接觸地面、身體和其他物體。在刀片接觸異物的情況下啟動發動機會造成嚴重的傷害事故。
6. 調整肩帶和手柄，使其適合操作者。

操作

1. 使用時，手部、腳部及裝置應保持在正確的位置。雙腳應站穩並保持身體平衡。請勿過度伸展。所有身體部位皆須遠離切割組件及高溫表面。
2. 出現緊急情況時，請立即關閉電機。
3. 如果操作期間察覺到任何異常（如，噪音、振動），請關閉發動機。在未查出並解除故障原因前，請勿使用樹籬割草機。
4. 鬆開油門扳機或關閉電機後刀片會在短時間內繼續移動。切勿急於接觸刀片。
5. 當引擎僅怠速運行時安裝肩帶。
6. 操作時，請使用肩帶。將樹籬割草機牢固置於右手側。

► 圖片2

7. 無論您習慣使用左手還是右手，請都用左手握住前把手，右手握住後把手。五指握住把手。
8. 切勿嘗試單手操作本設備。失控會導致嚴重或致命傷害。為降低人身傷害風險，請使手和腳都遠離刀片。
9. 操作時手不要伸得太長。使用時請雙腳站穩，時刻保持平衡。注意樹株、樹根和壕溝等不明顯的障礙物以避免絆倒。請清理掉落的樹枝等其他物體。
10. 切勿在梯子或樹上作業，以避免失控。
11. 切勿將機器提到肩膀的高度進行操作。

12. 操作期間，切勿使刀片觸碰堅硬物體的表面，例如石頭或金屬。在鐵絲柵欄周圍或附近進行切割時應特別小心。在離地面較近的位置操作時，確保刀片不會碰到沙子、砂石和石頭。
13. 如果刀片碰到石頭或其他堅硬物體，請立即停止電機，並在移除火花塞帽或電池組後檢查刀片是否受損。如果刀片有任何損傷，請予以更換。
14. 如果較粗的枝幹卡入刀片，請立即關閉發動機，放下樹籬割草機，然後在拆下火星塞或電池組後移除阻塞物。再次使用設備前，請檢查刀片是否受損。
15. 切勿觸摸或靠近運行中的刀片。刀片可以輕易割傷手指。處理刀片或調節刀片角度時，請關閉電機並取下火花塞帽或電池組。
16. 刀片受阻時，如果增大負載加速電機則會導致電機和/或離合器受損。
17. 操作期間，請時常檢查切割裝置是否有裂縫或變鈍。檢查前，請關閉電機並等待刀片完全停止。立即更換受損或變鈍的刀片，即便其僅是表面受損。
18. 如果設備受到重擊或跌落，請在繼續使用前進行檢查。檢查燃料系統是否存在燃料洩露，控制和保護裝置是否存在故障。如果有任何損壞或疑問，請將其交由授權維修服務中心進行檢查和維修。
19. 不可觸摸齒輪箱。操作期間，齒輪箱會發燙。
20. 使工具休息一段時間以避免因過度使用而失控。建議每小時休息10到20分鐘。
21. 離開設備時，即便是短時離開，也務必關閉引擎或取出電池組。無人照看引擎正在運行的設備時可能會被未授權人員使用並造成嚴重事故。
22. 切割前，完全扣動油門拉桿以獲得最大速度。
23. 按照動力裝置的使用說明書合理使用控制拉桿和開關。
24. 操作期間或操作結束後，請勿將發熱的設備放在乾草或易燃物體上。

搬運

1. 搬運本設備前，請關閉電機並取下火花塞帽或電池組。搬運期間需始終安裝刀片保護罩。
2. 搬運設備時，請透過抓握軸部分水平搬運。身體遠離發熱的消音器。
3. 使用車輛運輸本設備時，請妥當固定以避免翻轉。否則可能會造成燃料洩露損壞工具或其它行李。

保養

1. 對工具進行任何保養、維修或清潔工作前，請務必關閉電機並取下火花塞帽或電池組。等待電機冷卻。
2. 為降低火災風險，切勿在火源附近維修設備。
3. 處理刀片時，請務必佩戴保護手套。
4. 務必清除設備上的灰塵及塵垢。切勿使用汽油、苯、稀釋劑、酒精或類似物品清潔工具。否則可能會導致塑料零件變色、變形或出現裂縫。
5. 每次使用完畢後，請緊固所有螺絲和螺母，化油器調節螺絲除外。
6. 保持切割工具的鋒利。如果刀片變鈍且切割能力下降，請聯繫Makita（牧田）授權的維修服務中心更換刀片。
7. 切勿通過矯正或焊接的方式修復彎折或受損的刀片。可能會導致刀片的碎片脫離，造成嚴重人身傷害。請聯絡當地的Makita（牧田）授權維修服務中心更換原裝刀片。
8. 請勿嘗試進行本手冊或動力裝置使用說明書中未介紹的任何保養或維修。將此類工作交由牧田授權的維修服務中心執行。
9. 務必僅使用Makita（牧田）原裝正品備件和附件。使用第三方供應的零件或附件可能會導致設備損壞、財產損失和/或嚴重傷害。
10. 定期將樹籬割草機交由牧田授權的維修中心進行檢查和保養。

存放

1. 存放設備前，請進行徹底清潔和保養。安裝刀片保護罩。將設備存放在兒童接觸不到的乾燥高處或加鎖位置。
2. 請勿將樹籬割草機倚靠在牆壁等上。否則樹籬割草機可能會突然跌落並造成傷害。

急救

- 務必在近旁備有急救套件。立即補充從急救套件中取用的任何物品。
- 請求幫助時，請提供以下資訊：
 - 事故發生位置
 - 發甚麼事故
 - 受傷人數
 - 受傷狀況
 - 您的名稱

部件說明

- 圖片3: 1. 刀片 2. 齒輪箱 3. 切刀單元把手 4. 角鎖 5. 蓋子 6. 刀片罩

裝配

警告：組裝和調節本設備前，請關閉電機並取下火花塞帽或電池組。否則刀片或其他部件可能會運行造成嚴重人身傷害。

警告：處理刀片或在刀片附近工作前，請佩戴防護手套，並裝上刀片防護罩。否則，刀片可能會嚴重傷及手部。

警告：組裝或調節設備時，請始終將其放下。組裝或調節設備時直立放置設備可能造成嚴重人身傷害。

警告：遵循“安全注意事項”章節以及動力裝置使用說明書中的警告和注意事項。

警告：操作設備前，請確定有鎖緊鎖定桿。

安裝該裝置至動力裝置

安裝該裝置至動力裝置時，請遵循以下步驟。

- 請確保鎖定桿未緊固。
 - 將銷與箭頭標志對齊。
 - 將軸插入動力裝置的驅動軸直到達到位置線，且釋放按鈕彈出。
 - 如圖所示緊固鎖定桿。
- 圖片4: 1. 鎖定桿 2. 釋放按鈕 3. 箭頭標志 4. 銷釘 5. 位置線

拆下裝置時，請反方向轉動鎖定桿將其擰鬆，按下鎖定按鈕並抽出軸。

注意：請勿在未插入設備軸的情況下緊固鎖定桿。否則鎖定桿可能會緊固驅動軸的入口並損壞驅動軸。

切割角度調整

小心：調整切割角度時，請務必關閉發動機並拆下電池組，然後將樹籬割草機平放在地面上。

小心：樹籬割草機處於豎立位置時，請勿調整切割角度。

小心：調整切割角度時，請務必使用附帶的刀片罩固定刀片。

小心：調整切割角度時，請務必使用切刀單元把手。握持刀片可能會造成人身傷害。

在拉角鎖的同時握住切刀單元把手並移動刀片。切割角度可在圖中所示範圍內調整。

- 圖片5: 1. 角鎖 2. 切刀單元把手

注：切刀單元僅可按一定的角度沿單元上的凹槽固定。請確保切刀單元正確鎖緊。如果角度不合適，離合器會斷開並且工具無法運轉。

如果切刀單元鬆動，則需要擰緊螺栓（角度調整軸）。在螺栓上使用套筒扳手和六角扳手。通過轉動六角扳手調整切刀單元的緊固程度，然後轉動套筒扳手緊固螺栓。

- 圖片6: 1. 套筒扳手 2. 螺栓 3. 六角扳手

注：請勿過度擰緊切刀單元。如果過緊，則無法改變切刀單元的角度。

操作

警告：如果刀片在怠速時移動，請降低引擎的怠速速度。否則關閉油門時無法停止刀片，可能會造成嚴重傷害。

警告：遵循“重要安全注意事項”章節以及動力裝置使用說明書中的警告和注意事項。

雜草剪切

剪切雜草時，請遵循以下步驟。

- 完全拉動油門桿。
- 向雜草施加刀片時使其與地面平行。
- 從右向左擺動式剪切雜草。

- 圖片7

樹籬修剪

豎直修剪樹籬時，請遵循以下步驟。

- 完全拉開油門拉桿。
- 向樹籬施加刀片時使兩者相互平行。
- 從下向上擺動式修剪樹籬。

- 圖片8

水平修剪樹籬時，請遵循以下步驟。

- 完全拉動油門桿。
- 以15°至30°的角度向樹籬施加刀片。

- 圖片9

- 從右向左擺動式修剪樹籬。

- 圖片10

保養

警告：檢查和維護本設備前，請關閉電機並取下火花塞帽或電池組。否則刀片或其他部件可能會運行造成嚴重人身傷害。

警告：處理刀片或在刀片附近工作前，請佩戴防護手套，並裝上刀片防護罩。組裝或調節期間，手指可能會觸碰刀片導致嚴重傷害。

警告：檢查或保養設備前，請務必放下設備。在豎立位置裝配或調整設備可能會造成嚴重的人身傷害。

警告：遵循“重要安全注意事項”章節以及動力裝置使用說明書中的警告和注意事項。

檢查刀片

經常檢查刀片是否有受損、裂縫或變鈍的情況。請聯繫Makita（牧田）授權的維修服務中心更換受損或變鈍的刀片。

調節刀片間距

操作後上部/下部刀片會逐漸磨損。如果刀片鋒利但切割不順暢，請調節間距如下。

六角螺栓的緊固程度決定刀片之間間距。螺母為六角螺栓提供一定的緊固力。間距過疏會導致切割不順暢，而間距過密則會導致產生不必要的熱量，加快了刀片的磨損。

- 用扳手鬆開螺母。
- 輕輕緊固六角螺栓直至其停止。然後，將其擰松四分之一圈至半圈來獲取必要的間距。
- 穩住六角螺栓緊固螺母。
- 在刀片的摩擦面塗抹低粘度油。
- 啟動電機並對油門進行一分鐘的開啟和關閉操作。
- 測算鬆開油門後直到刀片停止的必要時間。如果為兩秒或以上，請關閉電機，然後重複步驟1至6。
- 關閉電機，觸摸刀片表面。如果刀片未感覺燙手，說明調節合理。如果感覺燙手，請稍稍鬆開六角螺栓，然後重複步驟5至7。

- 圖片11: 1. 螺母 2. 上刀片 3. 下刀片 4. 板 5. 六角螺栓

潤滑移動部件

注意：按照頻度說明塗抹一定量的油脂。否則不充分的潤滑可能會損壞運動部件。

► 圖片12

齒輪箱：

小心：請勿在齒輪箱灼熱時塗抹油脂。灼熱的齒輪箱會造成燙傷。

每隔25個工作小時添加一次潤滑脂。

1. 潤滑孔位於螺栓下方。拆下螺栓進行潤滑。
2. 通過油孔分別向齒輪箱的A點添加3 g (4 cc)的潤滑油並向B點添加5 g (7 cc)的潤滑油。
3. 潤滑後還原螺栓。

► 圖片13: 1. 潤滑孔

注：添加正確量的潤滑脂後，首次操作時潤滑脂會從刀片的基座中滲漏少許。

驅動軸：

每隔25個工作小時添加一次潤滑脂。

► 圖片14

整機檢查

- 緊固鬆開的螺栓、螺母和螺絲。
- 檢查零件和刀片是否受損。如需更換，請聯繫Makita（牧田）授權的維修服務中心進行更換。

存放

警告：遵循“重要安全注意事項”章節以及動力裝置使用說明書中的警告和注意事項。

存放組件時，請務必將其從動力裝置上拆下。

1. 朝圖中所示方向轉動鎖定桿並在按下釋放按鈕的同時拉出組件。

► 圖片15: 1. 鎖定桿 2. 釋放按鈕 3. 組件

2. 安裝刀片罩。在拉角鎖的同時握住切刀單元把手並折疊刀片。

► 圖片16: 1. 角鎖 2. 切刀單元把手

3. 在軸的端部裝上蓋子。

► 圖片17

維修保養間隔

		操作前	日常維護（10小時）	25小時	如有必要
整體裝置	目測檢查是否有部件受損	○	-	-	-
所有起固定作用的螺釘和螺母	擰緊	○	-	-	-
刀片	檢查受損、裂縫和變鈍情況	-	○	-	-
	調節間距	-	-	-	○
齒輪箱	添加潤滑脂	-	-	○	-
驅動軸	添加潤滑脂	-	-	○	-
動力裝置	請參閱動力裝置的使用說明書				

故障排除

異常狀態	可能原因（故障）	糾正措施
電機無法啟動。	請參閱動力裝置的使用說明書。	請參閱動力裝置的使用說明書。
電機啟動後馬上停止。	請參閱動力裝置的使用說明書。	請參閱動力裝置的使用說明書。
超過最大速度限制。	請參閱動力裝置的使用說明書。	請參閱動力裝置的使用說明書。
刀片無法移動。 ⇒ 立即停止電機！	切割裝置的角度不正確。	請確保角度鎖正確嚙合。
刀片無法移動。 ⇒ 立即停止電機！	刀片被小枝卡住。	清除異物。
刀片無法移動。 ⇒ 立即停止電機！	驅動系統未正常工作。	請聯繫Makita（牧田）授權的維修服務中心進行檢查和修理。
裝置異常振動。 ⇒ 立即停止電機！	驅動系統未正常工作。	請聯繫Makita（牧田）授權的維修服務中心進行檢查和修理。
刀片無法停止。 ⇒ 立即停止電機！	動力裝置未正常工作。	請參閱動力裝置的使用說明書。

選購附件

小心：這些附件或裝置專用於本說明書所列的Makita（牧田）專用工具。如使用其他廠牌附件或裝置，可能導致傷人的危險。僅可將選購附件或裝置用於規定目的。

如果您需要瞭解更多關於這些選購附件的信息，請諮詢當地的Makita（牧田）維修服務中心。

- 刀片組
- 油脂組件

注：本列表表中的一些部件可能作為標準配件包含於工具包裝內。規格可能因銷往國家之不同而異。

사양

모델:	EN420MP
치수(L x W x H)	1,324mm x 104mm x 103mm(52" x 4-1/8" x 4-1/16")
중량	2.6kg(5.93lbs)
유효 절단 길이	250mm(9-7/8")
기어비	1: 4.78

- 지속적인 연구, 개발로 인해 여기에 기재된 사양은 예고 없이 변경될 수 있습니다.
- 사양은 국가별로 상이할 수 있습니다.

승인된 동력 장치

⚠경고: 본 부착기기를 승인되지 않은 동력 장치와 사용하지 마십시오. 승인되지 않은 조합은 심각한 부상의 원인이 될 수 있습니다.

본 부착기기는 다음의 동력 장치와 사용하는 것만이 승인되었습니다.

- (다목적 예초기)
EX2650LH
- (충전 다목적 예초기)
BUX360, BUX361, BUX362, UX360D, UX361D, UX362D,
*DUX60, *XUX01, *DUX18, *XUX02, *UX01G, *GUX01(*이 모델
들만 UL 인증을 받음)

기호

다음은 본 공구에 사용된 기호를 나타냅니다. 사용하기 전에 그 의미를 숙지하여 주십시오.

	취급 설명서를 읽고 따라 주십시오.
	특별히 주의하여 주십시오!
	금지!
	전기 선에 주의하십시오. 감전의 위험이 있습니다.
	위험 - 날에 손을 대지 마십시오.
	보호 장갑을 착용하여 주십시오.
	안전모, 보안경과 귀마개를 착용하여 주십시오.
	미끄럼 방지 밑창이 부착된 단단한 부츠를 신어 주십시오.
	사람이나 동물이 동력 공구에서 15m 이상 떨어져 있도록 하십시오.
	작업 지역에 사람이나 동물 접근 금지.
	뜨거운 표면에 손이나 손가락이 닿으면 화상을 입을 수 있습니다.
	구급약

용도

본 부착물은 인증된 전동 공구와 함께 사용하여 관목, 울타리 및 지상의 풀을 깎는 용도로만 설계되었습니다. 부착물을 다른 용도로 사용하지 마십시오. 부착물을 다른 용도로 사용할 경우 심각한 부상을 입을 수 있습니다.

안전 경고

헤지트리머 안전 경고

1. 신체의 모든 부분을 날로부터 멀리하십시오. 날이 움직이고 있는 동안에는 절단 작업을 또는 고정 작업을 제거하지 마십시오. 날은 스위치를 끈 후에도 계속 움직입니다. 헤지트리머를 사용하는 동안 잠깐이라도 방심하면 심각한 상해 사고가 일어날 수 있습니다.
2. 날이 멈춘 상태에서 전원 스위치를 작동시키지 않도록 주의하면서 핸들을 들고 헤지트리머를 운반하십시오. 헤지트리머를 올바르게 운반함으로써 부주의로 인해 가동될 위험성과 날로 인한 대인 상해 위험성이 줄어듭니다.
3. 헤지트리머를 운반하거나 보관할 때는 반드시 날 커버를 장착하여 주십시오. 헤지트리머를 올바르게 취급함으로써 날로 인한 부상의 위험성이 줄어듭니다.
4. 날에 걸린 것들을 제거하거나 기기를 수리할 때는 모든 전원 스위치가 꺼져 있으며 배터리 팩이 제거되었거나 분리되어 있는지 확인하십시오. 걸린 것들을 제거하거나 수리 중에 헤지트리머의 예기치 않은 동작으로 인해 심각한 부상을 입을 수 있습니다.
5. 날이 숨겨진 배선에 닿을 수 있으므로 절연 그림 표면으로만 헤지트리머를 잡으십시오. '전기가 통하는' 와이어와 접촉한 날은 헤지트리머의 금속 부분에 '전기를 통하게' 해서 작업자가 전기 감전될 수 있습니다.
6. 모든 전원 코드 및 케이블을 절단 영역으로부터 멀리 두십시오. 전원 코드나 케이블이 생울타리나 덩굴에 가려 보이지 않아 실수로 자를 수 있습니다.
7. 날씨가 나쁜 날, 특히 벼락이 칠 우려가 있는 날에는 헤지트리머를 사용하지 마십시오. 벼락을 맞을 위험을 감소시킬 수 있습니다.

연장형 헤지트리머 안전 경고

1. 감전의 위험을 줄이려면 전력선 근처에서 연장 리치 헤지 트리머를 사용하지 마십시오. 전력선과 접촉하거나 가까이에서 사용하면 심각한 부상 또는 감전 사고가 발생하여 사망할 수 있습니다.
2. 연장형 헤지트리머를 조작할 때는 항상 양손을 사용하십시오. 양손으로 연장형 헤지트리머를 잡아 확실히 제어할 수 있도록 하십시오.
3. 연장형 헤지트리머를 머리보다 높은 위치에서 사용할 때는 항상 머리 보호구를 사용하십시오. 낙하하는 파편에 맞아 심각한 부상을 입을 수 있습니다.

중요한 안전 규칙

⚠경고: 본 설명서의 모든 안전 경고와 사용설명 및 전동 공구의 취급 설명서를 읽어 주십시오. 경고와 사용설명을 따르지 않으면 감전, 화재 또는 상해의 원인이 됩니다.

⚠경고: 본 경고와 취급 설명서를 잘 보관하여 주십시오.

경고 및 주의 사항에 나오는 “예초기” 및 “장비” 는 장착물과 전동 공구의 조합을 가리킵니다. 경고와 주의사항에 언급된 ‘모터’ 는 동력 장치의 엔진 또는 전기 모터를 의미합니다.

일반 주의사항

1. 예초기를 작동하기 전에 본 책자와 전동 공구의 취급 설명서를 읽고 예초기의 취급 방법을 숙지하십시오.
2. 예초기의 취급에 관련된 경험이나 지식이 부족한 사람에게 부착물을 대여하지 마십시오.
3. 부착기기를 빌려줄 때는 항상 이 취급 설명서를 함께 전달하십시오.
4. 어린이 또는 18세 미만의 청소년이 예초기를 사용하지 못하도록 하십시오. 이러한 어린이와 청소년이 예초기 근처에 있지 않도록 하십시오.
5. 예초기를 취급할 때는 항상 최대한의 주의를 기울여야 합니다.
6. 피곤하거나, 아프거나, 술을 마셨거나, 약을 복용한 경우에는 절대로 이 장치를 작동하지 마십시오.
7. 부착기기를 개조하려고 하지 마십시오.

8. 해당 국가의 예초기 취급에 관한 규정을 준수하십시오.

개인 보호 장비

▶ 그림1

1. 항상 긴 바지와 부츠, 장갑, 긴 소매 셔츠를 착용하십시오. 헐렁한 옷, 장신구, 짧은 바지, 샌들을 착용하거나 맨발로 작업하지 마십시오. 머리카락은 어깨 밑으로 내려가지 않도록 묶으십시오.
2. 안전모, 보호 안경 및 보호 장갑을 착용하여 파편이 튀거나 물체가 떨어질 때 다치지 않도록 자신을 보호하십시오.
3. 귀마개 같은 청각 보호 장비를 착용하여 청력 상실을 예방하십시오.
4. 전신 작업복과 튼튼한 미끄럼 방지 신발 같은 올바른 복장과 신발을 착용하여 안전하게 작업하십시오. 헐렁한 옷이나 장신구를 착용하지 마십시오. 헐렁한 의류, 장신구 또는 긴 머리카락은 회전부에 빨려 들어갈 수 있습니다.
5. 날을 만지거나 날 각도를 조절할 때는 보호 장갑을 꺼야 합니다. 날이 맨손에 닿으면 심하게 다칠 수 있습니다.

작업장의 안전

⚠경고: 예초기를 전기선 및 통신 케이블 근처에서 작동하지 마십시오. 예초기가 고압선에 닿거나 고압선 근처에 접근할 경우 사망이나 중상이 발생할 수 있습니다. 작업을 시작하기 전에 작업 영역 근처의 전기선 및 전기 펜스를 확인하십시오.

⚠경고: 이 제품을 사용할 때는 호흡기 질환이나 기타 질병을 초래할 수 있는 화학 물질이 함유된 먼지가 발생할 수 있습니다. 이러한 화학 물질의 예로는 농약, 살충제, 비료 및 제조업체에 함유된 화학물이 있습니다. 이러한 물질에 노출됨으로부터 발생하는 위험은 이러한 종류의 일을 얼마나 자주 하느냐에 따라 다릅니다. 이러한 화학물질에 대한 노출을 줄이려면, 환기가 잘 되는 곳에서 작업하고, 미세 분자를 거르도록 특별히 고안된 방진 마스크와 같이 승인된 안전 장비를 갖추고 작업하여 주십시오.

1. 시야가 좋고 일광이 있는 조건에서만 예초기를 작동하십시오. 어둡거나 안개가 끼었을 때는 예초기를 작동하지 마십시오.
2. 환기가 잘 되는 실외에서만 엔진을 시동하고 작동하십시오. 밀폐되거나 환기가 잘 안 되는 곳에서 작동하면 질식이나 일산화탄소 중독으로 인한 사망의 원인이 될 수 있습니다.
3. 불안정하거나 미끄러운 표면 위나 경사가 심한 곳에 서서 작업하지 마십시오. 추운 계절에는 얼음과 눈에 주의하고 발이 항상 안정적으로 고정되도록 하십시오.
4. 작업 시에는 다른 사람이나 동물이 예초기에서 15m 이상 떨어져 있어야 합니다. 누군가 접근하면 곧바로 모터를 중지하십시오.
5. 사용 전에는 작업 구역에 철사 울타리, 돌이나 기타 단단한 물체가 없는지 확인하십시오. 이것들로 인해 날이 손상될 수 있습니다.

가동

1. 장비를 조립하거나 조정하기 전에 모터의 스위치를 끄고 점화 플러그 캡 또는 배터리 카트리지를 제거해 주십시오.
2. 날을 조립하거나 절단 각도를 조절할 때는 보호 장갑을 착용하십시오.
3. 모터를 기동하기 전에 장비에 손상된 부분이나 느슨하게 풀린 나사너트가 있거나 장비가 잘못 조립되어 있지 않은지 확인하십시오. 날에 균열이 있거나 구부러졌거나 손상된 경우는 교체하십시오. 모든 조종 레버와 스위치의 조작에 문제가 없는지 확인하십시오. 핸들을 닦고 말리십시오.
4. 장비가 손상되었거나 완전히 조립되지 않은 경우 모터를 기동하지 마십시오. 그렇지 않으면 심각한 부상의 원인이 될 수 있습니다.
5. 모터를 작동하기 전에 날이 땅, 작업자의 신체 또는 기타 물체에 닿아 있지 않은지 신중히 확인하십시오. 다른 물체에 날이 닿아 있는 상태에서 모터를 작동하면 심각한 사고가 발생할 수 있습니다.
6. 어깨끈과 핸드 그림을 작업자의 신체 크기에 맞게 조절하십시오.

작동

1. 사용하는 동안 손, 발 및 장치의 위치를 적절하게 유지하십시오. 양발을 안정되게 고정하여 균형을 유지하십시오. 무리한 자세로 작업하지 마십시오. 모든 신체 부위가 절단 부품과 뜨거운 표면에 닿지 않게 주의하십시오.
2. 비상시에는 모터의 스위치를 즉시 끄십시오.
3. 작업 중에 이상 상황(예: 소음, 진동)을 느끼면 모터 스위치를 끄십시오. 원인을 파악하여 해결하기 전까지는 예초기를 사용하지 마십시오.
4. 조절판 트리거를 놓거나 모터 스위치를 끈 후에도 날은 잠시 동안 계속 움직입니다. 성급하게 날을 만지지 마십시오.
5. 엔진이 공회전으로 작동하는 상태에서만 어깨 벨트를 장착하십시오.
6. 작업 중에는 어깨 harness를 사용하십시오. 예초기를 오른쪽에서 단단히 잡으십시오.

▶ 그림2

1. 오른손잡이나 왼손잡이와 관계없이 왼손으로 전면 핸들을 그리고 오른손으로 후면 그림을 잡습니다. 엄지와 나머지 손가락으로 핸들을 감쌉니다.

8. 한 손으로 공구를 조작하지 마십시오. 통제력을 잃으면 심각하고 치명적인 상해를 당할 수 있습니다. 절단으로 인한 부상의 위험을 줄이려면 손과 발을 날에 가까이 대지 마십시오.
9. 무리한 자세로 작업하지 마십시오. 항상 양발을 고정시켜 균형을 유지하여 주십시오. 나무의 그루터기, 뿌리나 도랑처럼 보이지 않는 장애물이 없는지 살펴보고 넘어지지 않도록 주의하십시오. 떨어진 가지나 다른 장애물을 제거하십시오.
10. 통제력을 잃을 수 있으므로 사다리나 나무 위에서 작업하지 마십시오.
11. 어깨높이보다 높이 장비를 들어 올리지 마십시오.
12. 날이 작동 중에 돌이나 금속 같은 단단한 장애물에 부딪히지 않게 하십시오. 철사 울타리를 향해서 또는 근처에서 생울타리를 다듬을 때는 특히 주의를 기울이십시오. 땅바닥에 근접해서 작업할 때는 소래, 자갈 또는 돌이 날 사이에 끼었는지 확인합니다.
13. 날이 돌이나 기타 단단한 물체와 부딪힌 경우, 즉시 모터를 멈추고 점화 플러그 또는 배터리 카트리지를 제거한 후 날의 손상을 점검하십시오. 손상이 있으면 날을 교체하십시오.
14. 날에 굵은 가지가 걸린 경우는 곧바로 모터 스위치를 끄고 예초기를 아래로 내린 다음, 스파크 플러그 또는 배터리 카트리지를 제거한 후 장애물을 제거하십시오. 장비를 다시 사용하기 전에 날의 손상 여부를 확인하십시오.
15. 날이 움직이고 있을 때는 만지거나 가까이하지 마십시오. 날에 간단히 손가락을 절단될 수 있습니다. 날을 조작하거나 날 각도를 조절할 때는 모터를 정지하고 점화 플러그 또는 배터리 카트리지를 제거해 주십시오.
16. 날이 움직일 수 없는 상태로 모터를 가속하면 부하가 증가하고 모터 및/또는 클러치에 손상을 줄 수 있습니다.
17. 작동 중에 절단 날에 균열이나 무더진 가장자리를 확인하십시오. 점검하기 전에 모터 스위치를 끄고 날이 완전히 정지할 때까지 기다립니다. 손상되거나 무더진 날은 피상적인 균열만 있는 경우에도 즉시 교체하십시오.
18. 공구에 과도한 충격을 가했거나 떨어뜨렸을 때는 계속 사용하기 전에 상태를 점검하여 주십시오. 연료가 쉴 수 있으니 연료 시스템을 점검하고 고장에 대비해 공구의 제어 및 안전을 점검하여 주십시오. 의심 가는 점이나 손상이 있으면 마끼다 공인 서비스 센터에 점검과 수리를 의뢰하십시오.
19. 기어 케이스를 만지지 마십시오. 기어 케이스는 작동 중에 뜨거워 집니다.
20. 피로로 인해 제어력을 잃지 않도록 휴식을 취하십시오. 1시간마다 10~20분 정도 휴식을 취하는 것이 좋습니다.
21. 장비를 사람이 없는 곳에 놔둘 때는 잠시 동안이라도 엔진의 스위치를 끄거나 배터리 카트리지를 항상 분리하십시오. 엔진이 작동하는 장비를 사람이 없는 곳에 두면 무허가자가 사용하다가 심각한 사고가 발생할 수 있습니다.
22. 절단 전에 조절판 레버를 최대한 당겨서 최대 속도로 만듭니다.
23. 제어 레버와 스위치의 적절한 사용을 위해 동력 장치의 취급 설명서를 따라 주십시오.
24. 작동 중 또는 후에 뜨거운 장비를 마른 풀이나 가연성 물질 위에 놓아두지 마십시오.

운반

1. 공구를 운반하기 전에 모터의 스위치를 끄고 점화 플러그 캡 또는 배터리 카트리지를 제거해 주십시오. 운반 중에는 항상 날 커버를 씌웁니다.
2. 장비를 운반할 때는 샤프트를 잡고 수평 상태로 운반합니다. 뜨거운 머물러는 작업자의 몸에서 거리를 뚫습니다.
3. 장비를 차에 실어서 운반할 때는 확실하게 고정하여 뒤집히는 것을 방지합니다. 그렇지 않으면 연료가 새서 장비에 손상을 주거나 다른 문제가 발생할 수 있습니다.

유지 보수

1. 장비를 보수하거나 수리 또는 청소하기 전에 항상 모터의 스위치를 끄고 점화 플러그 캡 또는 배터리 카트리지를 제거해 주십시오. 모터가 식을 때까지 기다리십시오.
2. 화재의 위험을 줄이기 위해 불 주변에서 장비를 정비하지 마십시오.
3. 날을 취급할 때는 반드시 보호 장갑을 착용하여 주십시오.
4. 항상 먼지를 제거하고 오물을 닦아내십시오. 그런 목적으로 휘발유, 벤진, 시너, 알코올 등은 사용하지 마십시오. 플라스틱 부품의 변형, 변형 또는 균열의 원인이 될 수 있습니다.
5. 매번 사용 후 카뷰테러 조정 나사를 제외한 모든 나사와 너트를 조여 주십시오.
6. 절단 공구를 날카롭게 유지하십시오. 만약 절단 날이 무더져서 절단 성능이 저하된 경우 마끼다 공인 서비스 센터에 날의 연마를 의뢰하십시오.
7. 절대로 구부러졌거나 부러진 날을 펴거나 용접하여 수리하지 마십시오. 날 일부가 떨어져 나갈 수 있어 심각한 상해의 원인이 될 수 있습니다. 저희 공인 서비스 센터에 연락하여 마끼다 순정 날로 교체하십시오.
8. 이 설명서나 동력 장치의 취급 설명서에 명시되지 않은 유지 보수 작업을 수행해서는 안 됩니다. 그런 작업은 마끼다 공인 서비스 센터에 의뢰하여 주십시오.

- 항상 마끼다의 순정 부품과 부속품만 사용하십시오. 타사에서 만든 부품이나 부속품을 사용할 경우 기기가 고장이 나거나 재산상의 손실 또는 심각한 부상을 입을 수 있습니다.
- 정기적으로 공인 서비스 센터에 예초기의 점검 및 유지 보수를 의뢰하십시오.

보관

- 장비를 보관하기 전에 전체적인 청소와 유지 보수를 실행하십시오. 날 커버를 장착합니다.
- 장비는 아이들의 손이 닿지 않는 높거나 잠금 장치가 되어 있는 건조한 곳에 보관하여 주십시오.
- 장비를 벽과 같은 곳에 기대 놓지 마십시오. 예초기가 갑자기 넘어져서 부상을 입을 수 있습니다.

구급약

- 구급상자를 항상 가까운 곳에 두십시오. 구급상자에서 사용한 물품은 즉시 보충하여 주십시오.
- 도움을 요청할 때는 다음 정보를 알려 주십시오.
 - 사고 장소
 - 발생한 사고 내역
 - 부상당한 사람 수
 - 부상의 종류
 - 자신의 이름

각부 명칭

- ▶ **그림3:** 1. 날 2. 기어 케이스 3. 커터 장치 핸들 4. 각도 잠금장치 5. 캡 6. 날 커버

조립

⚠경고: 장비를 조립하거나 조정하기 전에 모터의 스위치를 끄고 정화 플러그 캡 또는 배터리 카트리지를 제거해 주십시오. 그렇지 않으면 날 또는 다른 부분이 움직여서 심각한 상해를 입을 수 있습니다.

⚠경고: 날 주변의 조작이나 작업을 하기 전에 보호 장갑을 착용하고 날 위에 날 커버를 씌우십시오. 그렇지 않으면 날이 맨손에 닿아 심하게 다칠 수 있습니다.

⚠경고: 장비를 조립하거나 조정할 때는 항상 장비를 바닥에 내려놓습니다. 똑바로 세워서 조립이나 조정을 하면 심각한 부상의 원인이 될 수 있습니다.

⚠경고: '안전상의 기본 수칙' 장과 동력 장치 취급 설명서의 경고 및 주의사항을 따라 주십시오.

⚠경고: 장비를 작동하기 전에 잠금 레버가 조여져 있는지 확인하십시오.

동력 장치에 부착하기 장착

다음과 같은 순서로 동력 장치에 부착기기를 장착하여 주십시오.

- 잠금 레버가 조여져 있지 않은 것을 확인합니다.
 - 핀과 화살표 표시를 맞춥니다.
 - 위치 선까지 샤프트를 동력 장치의 드라이브 샤프트에 끼우면 해제 버튼이 튀어나옵니다.
 - 그림과 같이 잠금 레버를 단단히 조입니다.
- ▶ **그림4:** 1. 잠금 레버 2. 해제 버튼 3. 화살표 표시 4. 핀 5. 위치 선
- 부착기기를 제거하려면 잠금 레버를 반대 방향으로 돌려 잠금 레버를 풀고 해제 버튼을 누른 후 샤프트를 빼내십시오.

유의사항: 장비의 샤프트를 삽입하지 않은 채 잠금 레버를 조이지 마십시오. 이를 지키지 않을 경우 잠금 레버가 구동축의 입구부를 너무 많이 조여서 손상될 수 있습니다.

절단 각도 조정

⚠주의: 절단 각도를 조정할 때는 항상 모터를 끄고 배터리 카트리지를 제거한 다음 예초기를 바닥에 편평하게 놓습니다.

⚠주의: 예초기가 세워진 상태에서 절단 각도를 조정하지 마십시오.

⚠주의: 절단 각도를 조정하기 전에, 제공된 날 커버를 사용하여 날을 고정하십시오.

⚠주의: 절단 각도를 조정할 때는 항상 커터 장치 핸들을 사용하십시오. 손으로 날을 잡으면 부상을 입을 수 있습니다.

커터 장치 핸들을 잡고 각도 잠금장치를 당긴 상태에서 날을 원하는 각도로 이동합니다. 절단 각도는 그림에 표시된 범위에서 조정할 수 있습니다.

- ▶ **그림5:** 1. 각도 잠금장치 2. 커터 장치 핸들

참고: 커터 장치는 장치의 홈을 따라 특정 각도에서만 조여집니다. 커터 장치가 홈에 제대로 들어갔는지 확인하십시오. 각도가 적절하지 않으면 클러치가 분리되어 공구가 작동하지 않습니다.

커터 장치가 느슨하면 볼트(각도 조정 축)를 조여야 합니다. 소켓 렌치와 육각 렌치를 볼트에 끼웁니다. 육각 렌치를 돌린 다음 소켓 렌치를 돌려 나사를 조여서 커터 장치의 조임 정도를 조정합니다.

- ▶ **그림6:** 1. 소켓 렌치 2. 볼트 3. 육각 렌치

참고: 커터 장치를 너무 강하게 조이지 마십시오. 너무 강하게 조이면 커터 장치의 각도를 변경할 수 없습니다.

작동

⚠경고: 공회전 상태에서 날이 움직이면 엔진의 공회전 스피드를 낮추는 조정을 합니다. 그렇지 않으면 조절판 끼기로 날을 멈출 수 없게 되어 심각한 부상의 원인이 될 수 있습니다.

⚠경고: '중요한 안전 규칙' 장과 동력 장치 취급 설명서의 경고 및 주의사항을 따라 주십시오.

잔디 깎기

잔디를 깎을 때는 아래 단계를 따르십시오.

- 조절판 레버를 끝까지 당깁니다.
 - 날을 지면과 평행하도록 하여 잔디에 갖다 댍니다.
 - 오른쪽에서 왼쪽으로 스윙하듯이 움직이며 잔디를 깎습니다.
- ▶ **그림7**

울타리 깎기

울타리를 수직으로 깎을 때는 아래 단계를 따르십시오.

- 조절판 레버를 완전히 당깁니다.
 - 울타리에 평행이 되도록 날을 갖다 댍니다.
 - 스윙하듯이 움직이면서 아래에서 위로 깎습니다.
- ▶ **그림8**

울타리를 수평으로 깎을 때는 아래 단계를 따르십시오.

- 조절판 레버를 끝까지 당깁니다.
 - 날을 울타리에 15°~30° 각도로 갖다 댍니다.
 - 오른쪽에서 왼쪽으로 스윙하듯이 움직이며 울타리를 깎습니다.
- ▶ **그림10**

유지 보수

⚠경고: 장비를 점검하거나 유지 보수하기 전에 모터의 스위치를 끄고 정화 플러그 캡 또는 배터리 카트리지를 제거해 주십시오. 그렇지 않으면 날 또는 다른 부분이 움직여서 심각한 상해를 입을 수 있습니다.

⚠경고: 날 주변의 조작이나 작업을 하기 전에 보호 장갑을 착용하고 날 위에 날 커버를 씌우십시오. 조립이나 조정을 하는 동안 손가락이 날에 닿으면 심각한 부상의 원인이 될 수 있습니다.

⚠경고: 장비를 점검하거나 유지 보수를 할 때는 항상 장비를 내려두고 작업하십시오. 장비를 세운 상태에서 조정하거나 조립하면 심각한 부상을 입을 수 있습니다.

⚠경고: '중요한 안전 규칙' 장과 동력 장치 취급 설명서의 경고 및 주의사항을 따라 주십시오.

날 점검

손상, 균열 및 무더진 가장자리가 없는지 날을 매일 점검합니다. 손상된 날의 교체 또는 무더진 날의 연마는 마끼다 인증 서비스 센터에 의뢰하십시오.

날 간격 조정

작업 후에는 상부/하부 날이 점차 마모됩니다. 날을 충분히 연마했음에도 깨끗하게 절단할 수 없으면 다음과 같이 날의 간격을 조정합니다. 육각 볼트의 조임을 통해 날의 간격을 결정할 수 있습니다. 적절하게 조인 육각 볼트를 너트로 고정합니다. 간격이 너무 느슨하면 절단이 잘 안 되고 간격이 너무 꼭 조여지면 불필요하게 열이 발생하거나 날이 빨리 마모되는 원인이 됩니다.

- 렌치로 너트를 풉니다.

2. 육각 볼트가 멈출 때까지 가볍게 조입니다. 그리고 한 번에 45도씩 풀면서 적절한 간격을 찾습니다.
 3. 육각 볼트를 고정하고 너트를 조입니다.
 4. 날의 마찰 면에 경유를 바릅니다.
 5. 모터를 기동하고 잠시 동안 조절판을 켜고 끄는 조작을 합니다.
 6. 조절판을 풀고 나서 날이 멈출 때까지 필요한 시간을 측정합니다. 이 시간이 2초 이상일 경우 모터를 끄고 1에서 6단계를 반복합니다.
 7. 모터의 스위치를 끄고 날의 면을 만집니다. 만약 날을 만지기에 너무 뜨겁지 않다면 적절한 조절한 것입니다. 만약 날을 만지기에 너무 뜨겁다면 육각 볼트를 조금 풀고 5에서 7단계를 반복합니다.
- ▶ **그림11: 1. 너트 2. 상부 날 3. 하부 날 4. 플레이트 5. 육각 볼트**

가동 부분 윤활

유의사항: 제공된 그리스의 양 및 주입 빈도에 대한 지침을 따르십시오. 윤활이 부족하면 움직임은 부위가 손상될 수 있습니다.

▶ **그림12**

기어 케이스:

▲주의: 기어 케이스가 뜨거울 때는 그리스를 바르지 마십시오. 뜨거운 기어 케이스로 인해 화상을 입을 수 있습니다.

25시간 작업을 할 때마다 그리스를 바릅니다.

1. 그리스 구멍은 볼트 아래에 있습니다. 급유할 수 있게 나사를 제거합니다.
2. 그리스 구멍을 통해 기어박스의 A 지점에 약 3g(4cc)의 윤활제를 보충하고 B 지점에 약 5g(7cc)의 윤활제를 보충합니다.

유지 보수 주기

		작동 전	매일(10시간)	25시간	필요한 경우
장치 전체	손상된 부분이 있는지 눈으로 점검	○	-	-	-
고정 나사 및 너트 전부	조임	○	-	-	-
날	손상, 균열 및 가장자리의 무덤 점검	-	○	-	-
	간격 조정	-	-	-	○
기어 케이스	그리스 공급	-	-	○	-
구동축	그리스 공급	-	-	○	-
동력 장치	동력 장치의 취급 설명서 참조				

문제 해결

이상 상태	개연성 있는 원인(고장)	해결책
모터가 시동되지 않습니다.	동력 장치의 취급 설명서를 참조하십시오.	동력 장치의 취급 설명서를 참조하십시오.
모터가 시동이 걸린 직후 멈춥니다.	동력 장치의 취급 설명서를 참조하십시오.	동력 장치의 취급 설명서를 참조하십시오.
최대 속도가 제한되었습니다.	동력 장치의 취급 설명서를 참조하십시오.	동력 장치의 취급 설명서를 참조하십시오.
날이 움직이지 않습니다. ⇒ 모터를 즉시 멈추십시오!	부적절한 절단 장치의 각도입니다.	앵글 록이 적절하게 맞물렸는지 확인하십시오.
날이 움직이지 않습니다. ⇒ 모터를 즉시 멈추십시오!	나뭇가지가 날에 끼었습니다.	그 이물질 제거하십시오.
날이 움직이지 않습니다. ⇒ 모터를 즉시 멈추십시오!	드라이브 시스템이 제대로 작동하지 않습니다.	마끼다 공인 서비스 센터에 점검 및 수리를 요청해 주십시오.
장치가 비정상적으로 진동합니다. ⇒ 모터를 즉시 멈추십시오!	드라이브 시스템이 제대로 작동하지 않습니다.	마끼다 공인 서비스 센터에 점검 및 수리를 요청해 주십시오.
날이 움직이지 않습니다. ⇒ 모터를 즉시 멈추십시오!	동력 장치가 제대로 작동하지 않습니다.	동력 장치의 취급 설명서를 참조하십시오.

별매품

▲주의: 이는 본 취급 설명서에 명시된 마끼다 공구를 사용할 때 권장되는 부속품입니다. 다른 부속품을 사용하게 되면 대인 상해를 야기할 수 있습니다. 지정된 용도로만 별매품을 사용하여 주십시오.

3. 급유 후에 볼트를 다시 넣습니다.

▶ **그림13: 1. 그리스 구멍**

참고: 적정량의 그리스를 채우면 약간의 그리스가 첫 작동 시에 날의 베이스 부분에서 약간의 그리스가 나옵니다.

구동축:

25시간 작업을 할 때마다 그리스를 바릅니다.

▶ **그림14**

종합 점검

- 느슨해진 볼트, 너트 및 나사를 조입니다.
- 손상된 부품이나 날이 없는지 점검합니다. 필요하다면 마끼다 공인 서비스 센터에 부품 등의 교체를 요청해 주십시오.

보관

▲경고: '중요한 안전 규칙' 장과 동력 장치 취급 설명서의 경고 및 주의사항을 따라 주십시오.

부착물을 보관할 때는 항상 전동 공구에서 분리하십시오.

1. 잠금 레버를 그림의 방향으로 돌리고 해제 버튼을 누른 채 부착물을 당겨서 뺍니다.

▶ **그림15: 1. 잠금 레버 2. 해제 버튼 3. 부착물**

2. 날 커버를 부착합니다. 커터 장치 핸들을 잡고 각도 레버를 당긴 채 날을 그림과 같이 접습니다.

▶ **그림16: 1. 각도 잠금장치 2. 커터 장치 핸들**

3. 샤프트 끝에 램을 부착합니다.

▶ **그림17**

본 부속품에 관한 보다 상세한 도움이 필요하신 경우에는 각 지역 마끼다 서비스 센터에 문의하여 주십시오.

- 날 설치
- 그리스 세트

참고: 목록의 몇 가지 품목은 표준 부속품으로 공구 포장에 포함되어 있습니다. 포함된 품목은 국가별로 상이할 수 있습니다.

Makita Corporation
3-11-8, Sumiyoshi-cho,
Anjo, Aichi 446-8502 Japan
www.makita.com

885517F937
EN420MP-2
EN, FRCA, ESMX,
PTBR, ID, VI, TH,
ZHCN, ZHTW, KO
20200731