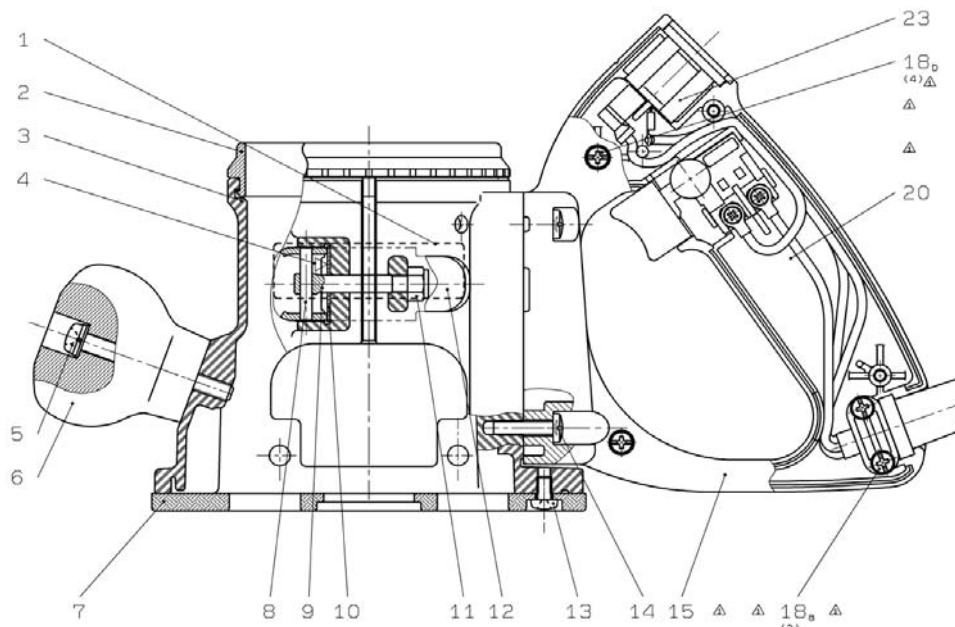




03 - 2010
Part No. 193104-6
D-HANDLE BASE SET
 (For Model RD1100, RD1101, RF1100, RF1101, RP1101)



Item No.	Part No.	Description	Qty	Unit
1	812988-0	INDICATION LABEL - N/A	1	PC.
2	417137-0	SCALE RING	1	PC.
3	151881-6	ROUTER BASE COMPLETE	1	PC.
4	042005-4	MAKITA GREASE N No.2	1	PC.
5	911378-5	PAN HEAD SCREW M6X55	1	PC.
6	271313-8	KNOB 55	1	PC.
7	417138-8	BASE PLATE	1	PC.
8	268063-4	PIN 4	1	PC.
9	323968-6	SUPPORT PIN	1	PC.
10	344852-2	PLATE	1	PC.
11	252014-7	HEX. LOCK NUT M6-10	1	PC.
12	344851-4	LOCK LEVER	1	PC.
13	265081-3	+ P.H.SCREW W3/16-24X10	3	PC.
14	266036-1	TAPPING SCREW BIND CT 5X20	4	PC.
15 & 20	183218-9	HANDLE SET	1	PC.
18	265995-6	TAPPING SCREW 4X18	6	PC.
23	682505-8	OUTLET	1	PC.