



EN

Cordless LED Flashlight

Instruction manual

FRCA

Lampe Torche LED

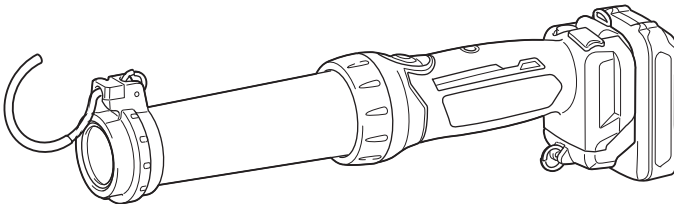
Manuel d'instructions

ESMX

Linterna LED Inalámbrica

Manual de instrucciones

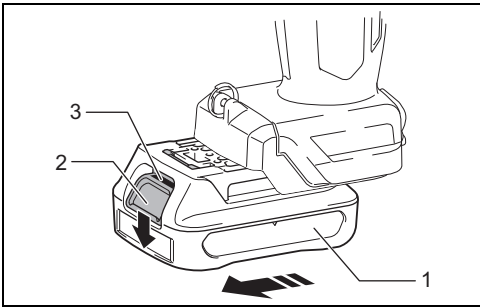
ML104



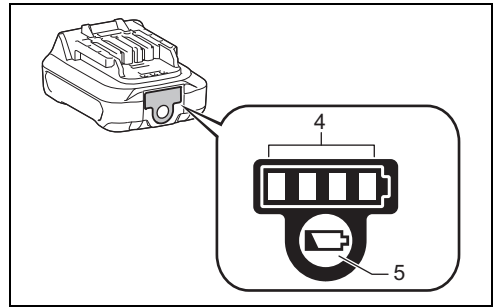
IMPORTANT: Read Before Using.

IMPORTANT : Lire avant usage.

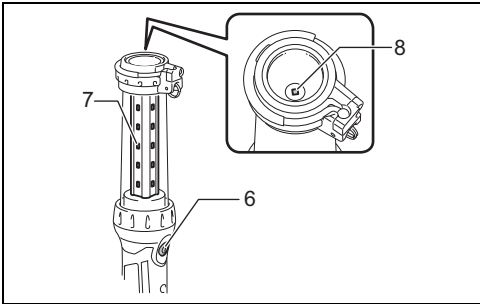
IMPORTANTE: Lea antes de usar.



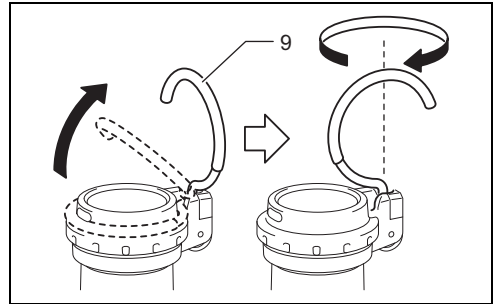
1



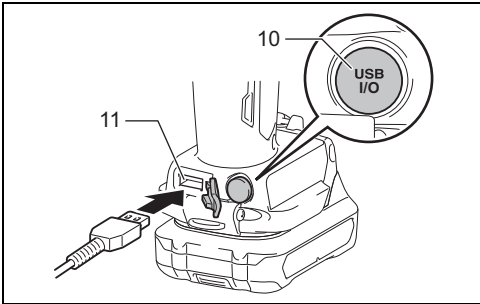
2



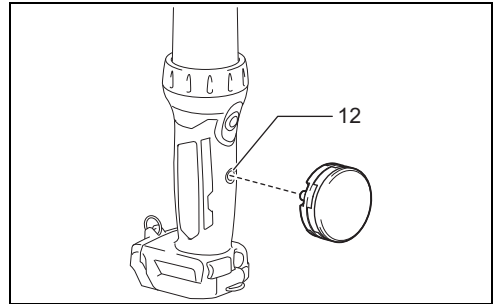
3



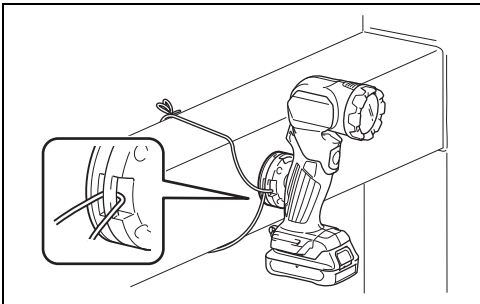
4



5



6



7

ENGLISH

Parts description

- | | | |
|---------------------------|-----------------------|-----------------------------|
| 1. Battery cartridge | 5. Check button | 9. Metal hook |
| 2. Battery release button | 6. Light switch | 10. USB power supply switch |
| 3. Red indicator | 7. Main LED (20 pcs.) | 11. USB power supply port |
| 4. Indicator lamps | 8. Sub LED (1 pc.) | 12. Hole |

SPECIFICATIONS

Major Features		Model	ML104		
Voltage		DC 10.8 V -12 V max			
LED		Main LED 0.5 W x 20 pcs.			
		Sub LED 2.0 W x 1 pc.			
USB power supply	Port	USB A type			
	Output voltage	DC 5 V			
	Output current	2.1 A			
Operating time (approximately)	Standard battery cartridge	Main LED (20 pcs.) when lit	Main LED (5 pcs.) when lit	Sub LED (1 pc.) when lit	
	BL1016	2.0 hours	6.5 hours	7.0 hours	
	BL1021B	2.5 hours	8.5 hours	9.5 hours	
	BL1041B	5.5 hours	17 hours	19 hours	
Dimensions (with BL1041B)	with the hook stood	L 414 mm (16-1/4") x W 66 mm (2-5/8") x H 132 mm (5-3/16")			
	with the hook stored	L 360 mm (14-1/8") x W 66 mm (2-5/8") x H 101 mm (4")			
Net Weight		0.61 - 0.78 kg (1.4 - 1.7 lbs)			

- Due to our ongoing research and development, the specifications herein are subject to change without notice.
- Note: Specifications may differ from country to country.
- Operating time may differ depending on battery type and usage condition.
- The weight may differ depending on the attachment(s), including the battery cartridge. The lightest and heaviest combination, according to EPTA-Procedure 01/2014, are shown in the table.

IMPORTANT SAFETY INSTRUCTIONS

WARNING:

When using electric luminaires, basic safety precautions should always be followed to reduce the risk of fire, electric shock, and personal injury, including the following:

READ ALL INSTRUCTIONS.

- Before using battery cartridge, read all instructions and cautionary markings on (1) battery charger, (2) battery, and (3) product using battery.
- Recharge only with the charger specified by the manufacturer. A charger that is suitable for one type of battery pack may create a risk of fire when used with another battery pack.
- Use a power source with the voltage specified on the nameplate of the charger.
- Do not attempt to use a step-up transformer, an engine generator or DC power receptacle.
- Charge the battery cartridge with room temperature at 10°C - 40°C (50°F - 104°F).
Let a hot battery cartridge cool down before charging it.
- When battery pack is not in use, keep it away from other metal objects like paper clips, coins, keys, nails, screws, or other small metal objects that can make a connection from one terminal to another.
Shorting the battery terminals together may cause sparks, burns, or a fire.
- After charging or before attempting any maintenance or cleaning, unplug the charger from the power source.
- Do not touch the inside of the flashlight head with tweezers, metal tools, etc.
- Under abusive conditions, liquid may be ejected from the battery, avoid contact. If contact accidentally occurs, flush with water. If liquid contacts eyes, additionally seek medical help. Liquid ejected from the battery may cause irritation or burns.
- Do not short the battery cartridge:
 - Do not touch the terminals with any conductive material.
 - Avoid storing battery cartridge in a container with other metal objects such as nails, coins, etc.
 - Do not expose battery cartridge to water or rain. A battery short can cause a large current flow, overheating, possible burns and even a breakdown.
- If electrolyte gets into your eyes, rinse them out with clear water and seek medical attention right away. It may result in loss of your eyesight.
- Be careful not to drop or strike battery.

13. Do not incinerate the battery cartridge even if it is severely damaged or is completely worn out. The battery cartridge can explode in a fire.
14. Follow your local regulations relating to disposal of battery.
15. The contained lithium-ion batteries are subject to the Dangerous Goods Legislation requirements. For commercial transports e.g. by third parties, forwarding agents, special requirement on packaging and labeling must be observed.
For preparation of the item being shipped, consulting an expert for hazardous material is required. Please also observe possibly more detailed national regulations. Tape or mask off open contacts and pack up the battery in such a manner that it cannot move around in the packaging.

Electrical safety

1. Do not insert a nail, wire, etc. into USB power supply port. Otherwise a circuit short may cause smoke and fire.
2. Do not connect power source to USB port. Otherwise there is risk of fire. The USB port is only intended for charging lower voltage device. Always place the cover onto the USB port when not charging the lower voltage device.

CAUTION:

1. When the luminaire is not in use, always switch off and remove the battery cartridge from the luminaire.
2. Do not store the luminaire and battery cartridge in locations where the temperature may reach or exceed 50°C (122°F).
3. Do not give the luminaire a shock by dropping, striking, etc.
4. Do not expose the light to eyes continuously. It may hurt them.
5. Do not cover or clog the lit luminaire with cloth or carton, etc. Covering or clogging it may cause a flame.
6. Do not disassemble the charger or battery cartridge; take it to a qualified serviceman when service or repair is required. Incorrect reassembly may result in a risk of electric shock or fire.
7. Use the luminaires only with specifically designated battery packs. Use of any other battery packs may create a risk of injury and fire.
8. If operating time has become excessively shorter, stop operating immediately. It may result in a risk of overheating, possible burns and even an explosion.
9. Do not use a damaged battery.
10. Charge the battery cartridge before completely discharged. Always stop luminaire operation and charge the battery cartridge when you notice less luminaire power.
11. Never recharge a fully charged battery cartridge. Overcharging shortens the battery service life.
12. If any problem develops, consult your nearest Makita Service Center or dealer. To maintain product safety and reliability, repairs, maintenance or adjustment should be carried out by Makita Authorized Service Center.
13. Charge the battery cartridge if you do not use it for a long period (more than six months).

FCC Cautions to the user

The changes or modifications not expressly approved by the party responsible for compliance could void the user's authority to operate the equipment.

The equipment has been tested and found to comply with the limits for a Class B Digital Device, pursuant to part 15 of the FCC Rules. These limits are designed to provide reasonable protection against harmful interference in a residential installation.

This equipment generates, uses and can radiate radio frequency energy and, if not installed and used in accordance with the instruction, may cause harmful interference to radio communication. However, there is no grantee that interference will not occur in a particular installation. If this equipment does cause harmful interference to radio or television reception, which can be determined by turning the equipment off and on, the user is encouraged to try to correct the interference by one or more of the following measures:

- Reorient or relocate the receiving antenna.
- Increase the separation between the equipment and receiver.
- Connect the equipment into an outlet on a circuit different from that to which the receiver is connected.
- Consult the dealer or an experienced radio/TV technician for help.

For United States:


This device complies with Part 15 of the FCC Rules.

Operation is subject to the following two conditions:

- (1) this device may not cause harmful interference, and
- (2) this device must accept any interference received, including interference that may cause undesired operation.

CAN ICES-5(B)/NMB-5(B)

SAVE THESE INSTRUCTIONS.

 **CAUTION:** Only use genuine Makita lithium-ion batteries. Use of non-genuine Makita batteries, or batteries that have been altered, may result in the battery bursting causing fires, personal injury and damage.

FUNCTIONAL DESCRIPTION

Installing or removing the battery cartridge (Fig. 1)

CAUTION:

- Always switch off the luminaire before installing or removing of the battery cartridge.
- **Hold the luminaire and the battery cartridge firmly when installing or removing battery cartridge.** Failure to hold the luminaire and the battery cartridge firmly may cause them to slip off your hands and result in damage to the luminaire and battery cartridge and a personal injury.

To remove the battery cartridge, slide it from the luminaire while sliding the button on the front of the cartridge.

To install the battery cartridge, align the tongue on the battery cartridge with the groove in the housing and slip it into place. Insert it all the way until it locks in place with a little click. If you can see the red indicator on the upper side of the button, it is not locked completely.

⚠ CAUTION:










- Always install the battery cartridge fully until the red indicator cannot be seen. If not, it may accidentally fall out of the luminaire, causing injury to you or someone around you.
- Do not install the battery cartridge forcibly. If the cartridge does not slide in easily, it is not being inserted correctly.

Use of non-genuine Makita batteries, or batteries that have been altered, will void the Makita warranty for the Makita tool and charger.

Indicating the remaining battery capacity (Fig. 2)

(Only for battery cartridges with “B” at the end of the model number.)

Press the check button on the battery cartridge to indicate the remaining battery capacity. The indicator lamps light up for few seconds.

Indicator lamps		Remaining capacity
 Lighted	 Off	
		75% to 100%
		50% to 75%
		25% to 50%
		0% to 25%

NOTE:

- Depending on the conditions of use and the ambient temperature, the indication may differ slightly from the actual capacity.

Overdischarge protection

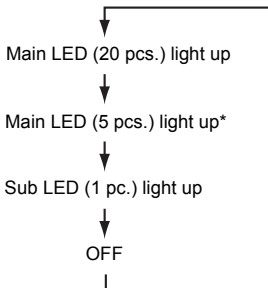
When the battery capacity is not enough, the light goes off automatically. In this case, remove the battery from the tool and charge the battery.

Light switch operations (Fig. 3)

⚠ CAUTION:

- Do not look in the LED light or see the source of light directly.

Press the light switch as shown below to change modes.



- * The LEDs on the opposite side of the light switch light up.

Metal hook (Fig. 4)

Pivot the metal hook upright before using it. The hook can be turned at 360° and removed.

Connecting USB devices (Fig. 5)

⚠ CAUTION:

- Connect only devices which are compatible with the USB power supply port. Otherwise it may cause malfunction to the battery holder.

This luminaire (with the battery) can work as an external power supply for USB devices.

Open the cover and connect the USB cable (not included) with the power supply port of the battery holder. And then connect the other end of the cable with the device.

Press the USB power supply switch. The switch lights in green and the USB power supply port (with the battery) starts to supply DC5V, 2.1A at a maximum. Press the USB power supply switch again to turn off the power supply.

NOTE:

- Before connecting USB device to the luminaire (with the battery), always backup your data of USB device. Otherwise your data may be lost by any possibility.
- The luminaire may not supply power to some USB devices.
- When not using or after charging, remove the USB cable and close the cover.
- To save the battery power, the USB power supply switch will automatically turn off when; 30 minutes is past since the power supply is finished; or the power supply is not performed for 30 minutes.
- If the remaining battery capacity become lower, the USB power supply switch will turn off and the power supply will stop to prevent overdischarging of the battery. In this case, charge the battery or replace with new one.

Magnet Attachment (optional accessory) (Fig. 6, 7)

Attach the magnet attachment by tightening the screw. When attaching the tool with the magnet attachment, use a string to fix the magnet attachment.

WARNING:

- Do not bring the magnet attachment closer to precision equipment such as electronic device, clock, watch, or IC card. The magnetic force may affect them.
- Do not use the magnet attachment near the heart pacemaker. There is a risk of malfunction.

NOTICE:

Before the attachment, make sure that the magnet can be attached to the desired metal, and there is enough space for the attachment. After the attachment, make sure that the tool is firmly fixed.

NOTICE:

- If the magnet attachment is attached to the material for a long period, the surface of the material may be damaged depending on the use conditions.

- When detaching the magnet attachment, do not slide it. The surface to which the magnet attachment is attached may be damaged.

MAINTENANCE

To maintain product safety and reliability, repairs and maintenance should be carried out by a Makita Authorized Service Center.

CAUTION:

- Never use gasoline, benzine, thinner, alcohol or the like. Discoloration, deformation or cracks may result.

OPTIONAL ACCESSORIES

CAUTION:

These accessories or attachments are recommended for use with your Makita luminaire specified in this manual. The use of any other accessories or attachments might present a risk of injury to persons. The accessories or attachments should be used only in the proper and intended manner.

- Shoulder strap
- Magnet attachment
- Makita genuine battery and charger

NOTE:

- Some items in the list may be included in the luminaire package as standard accessories. They may differ from country to country.

Description des pièces

- | | | |
|--|-------------------------------|-------------------------------------|
| 1. Batterie | 5. Bouton de vérification | 10. Interrupteur d'alimentation USB |
| 2. Bouton de dégagement de la batterie | 6. Interrupteur de la torche | 11. Port d'alimentation USB |
| 3. Indicateur rouge | 7. DEL principale (20 unités) | 12. Orifice |
| 4. Témoins | 8. DEL secondaire (1 unité) | |
| | 9. Crochet métallique | |

SPÉCIFICATIONS

Caractéristiques principales		Modèle		
		ML104		
Tension		CC 10,8 V - 12 V maximum		
DEL		DEL principale 0,5 W x 20 unités		
		DEL secondaire 2,0 W x 1 unité		
Alimentation USB	Port	USB Type A		
	Puissance de sortie	5 V c.c.		
	Courant de sortie	2,1 A		
Temps de fonctionnement (approximativement)	Batterie standard	DEL principale (20 unités) quand allumé	DEL principale (5 unités) quand allumé	DEL secondaire (1 unité) quand allumé
	BL1016	2,0 heures	6,5 heures	7,0 heures
	BL1021B	2,5 heures	8,5 heures	9,5 heures
	BL1041B	5,5 heures	17 heures	19 heures
Dimensions (avec BL1041B)	avec le crochet extrait	L 414 mm (16-1/4 po) x P 66 mm (2-5/8 po) x H 132 mm (5-3/16 po)		
	avec le crochet rangé	L 360 mm (14-1/8 po) x P 66 mm (2-5/8 po) x H 101 mm (4 po)		
Poids net		0,61 - 0,78 kg (1,4 - 1,7 lb)		

- Étant donné l'évolution constante de notre programme de recherche et de développement, les spécifications contenues dans ce manuel sont sujettes à des modifications sans préavis.
- Remarque : Les caractéristiques techniques peuvent varier suivant les pays.
- Le temps de fonctionnement peut varier en fonction du type de batterie et des conditions d'utilisation.
- Le poids peut varier en fonction des accessoires, notamment de la batterie. Les combinaisons plus légères et plus lourdes, conformément à la procédure EPTA 01/2014, sont indiquées dans le tableau.

CONSIGNES DE SÉCURITÉ IMPORTANTES

 **AVERTISSEMENT :**

Lorsque des luminaires électriques sont utilisés, il est nécessaire de prendre systématiquement des mesures de sécurité, afin de réduire le risque d'incendie, de choc électrique et de blessures personnelles :

LISEZ TOUTES LES INSTRUCTIONS.

1. Avant d'utiliser la batterie, lisez toutes les instructions et précautions relatives (1) au chargeur de batterie, (2) à la batterie et (3) à l'appareil utilisant la batterie.
2. Ne rechargez l'appareil qu'avec le chargeur spécifié par le fabricant. Un chargeur conçu pour un certain type de batterie risque de déclencher un incendie s'il est utilisé avec une autre batterie.
3. Utilisez une source d'alimentation conforme à la tension électrique spécifiée sur la plaque signalétique du chargeur.
4. Ne tentez pas d'utiliser un transformateur élévateur, une génératrice ou une prise de courant c.c.
5. Rechargez la batterie à une température ambiante variant de 10 °C à 40 °C (50 °F à 104 °F). Si la batterie est chaude, laissez-la refroidir avant de la recharger.
6. Lorsque la batterie n'est pas utilisée, tenez-la à distance des objets métalliques tels que trombones, pièces de monnaie, clés, clous, vis ou autres petits objets métalliques, conducteurs potentiels entre une borne et une autre. Un court-circuit entre les bornes de la batterie peut provoquer des étincelles, des brûlures ou un incendie.
7. Après la charge ou avant un entretien ou un nettoyage, débranchez le chargeur de la source d'alimentation.
8. Ne touchez pas l'intérieur de la lampe torche avec des brucelles, des outils métalliques, etc.
9. Dans des conditions d'utilisation inadéquates de la batterie, il peut y avoir fuite d'électrolyte, évitez tout contact avec celui-ci. En cas de contact accidentel, rincez abondamment à l'eau claire. Si du liquide entre en contact avec les yeux, consultez un médecin. Le

liquide qui gicle de la batterie peut provoquer des irritations ou des brûlures.

10. Ne court-circuitez pas la batterie :

- (1) Ne touchez pas les bornes avec un matériau conducteur.
- (2) Évitez de ranger la batterie dans un conteneur avec tout objet métallique tel que des clous, des pièces de monnaie, etc.
- (3) N'exposez pas la batterie à l'eau ou à la pluie. Un court-circuit peut causer un fort courant, une surchauffe, parfois des brûlures et même une panne de l'outil.

11. Si de l'électrolyte pénètre dans vos yeux, rincez-les avec de l'eau et consultez immédiatement un médecin. Il existe un risque de cécité.
12. Évitez de faire tomber ou de heurter la batterie.
13. Ne jetez pas la batterie au feu même si elle est sérieusement endommagée ou complètement épuisée. Au contact du feu, la batterie peut exploser.
14. Conformez-vous aux réglementations en vigueur dans votre région concernant l'élimination des batteries.
15. Les batteries au lithium-ion contenues sont soumises aux exigences des lois applicables concernant les matières dangereuses. Pour le transport commercial, p. ex. par des entreprises de transport tiers, il est nécessaire de respecter certaines mesures particulières ayant trait à l'emballage et à l'étiquetage. L'assistance d'un expert en matières dangereuses est requise pour la préparation de l'article à expédier. Veuillez également vous conformer aux réglementations nationales applicables qui pourraient être plus détaillées. Masquez les contacts découverts ou couvrez-les de ruban, et emballez la batterie de façon à ce qu'elle ne puisse se déplacer à l'intérieur du paquet.

Sécurité électrique

1. N'insérez pas de clous, de fils, etc. dans le port d'alimentation USB. Autrement, un court-circuit pourrait entraîner de la fumée et un incendie.
2. Ne branchez pas de source d'alimentation au port USB. Cela peut entraîner un risque d'incendie. Le port USB est conçu uniquement pour le chargement de dispositifs à basse tension. Placez toujours le couvercle sur le port USB lorsque vous ne rechargez pas le dispositif à basse tension.

ATTENTION :

1. Après l'utilisation, mettez toujours le luminaire hors tension et retirez la batterie.
2. Ne rangez pas le luminaire et la batterie dans des endroits où la température risque d'atteindre ou de dépasser 50 °C (122 °F).
3. Évitez de faire subir un choc au luminaire en l'échappant, en le heurtant, etc.
4. N'exposez pas les yeux à la lumière de manière continue. Il existe un risque de brûlure aux yeux.
5. Le luminaire allumé ne doit être ni couvert ni obstrué par un linge, un carton, etc. S'il est couvert ou obstrué, il existe un risque d'incendie.
6. Ne démontez ni le chargeur ni la batterie; apportez-les chez un réparateur agréé lorsqu'ils ont besoin d'entretien ou d'une réparation. Un remontage incorrect peut entraîner une décharge électrique ou un incendie.

7. N'utilisez le luminaire qu'avec ses batteries spécifiques. D'autres batteries risqueraient de vous blesser ou de provoquer un incendie.
8. Cessez immédiatement l'utilisation si le temps de fonctionnement devient excessivement court. Il existe un risque de surchauffe, de brûlures, voire d'explosion.
9. N'utilisez pas de batterie endommagée.
10. Rechargez la batterie avant qu'elle ne se décharge complètement. Vous devez toujours arrêter le luminaire et recharger sa batterie lorsque vous remarquez une baisse de puissance.
11. Ne rechargez jamais une batterie complètement chargée. Les surcharges raccourcissent la durée de vie de la batterie.
12. Si un problème quelconque survient, informez-vous auprès du centre de service Makita le plus près ou auprès de votre détaillant. Pour assurer le fonctionnement sûr et fiable du produit, les réparations ou l'entretien doivent être effectués par un centre de service agréé Makita.
13. Rechargez la batterie si vous ne l'utilisez pas pendant une période prolongée (plus de six mois).

Précautions FCC à l'utilisateur

Tout changement ou toute modification à l'appareil qui ne serait pas expressément homologué par le tiers responsable de sa conformité pourra annuler les droits de l'utilisateur à employer cet équipement.

Cet équipement a été testé et jugé conforme aux limites propres aux appareils numériques de Classe B, conformément au Paragraphe 15 du règlement du FCC. Ces limites sont destinées à offrir une protection raisonnable contre les interférences nuisibles d'une installation résidentielle. Cet équipement produit, utilise et peut émaner des ondes radiofréquences et, s'il n'est pas installé et utilisé conformément aux directives du fabricant, peut causer des interférences nuisibles aux communications radio. En fonction des installations réalisées, il n'est cependant pas garanti que toute interférence soit exclue. Si cet équipement cause des interférences nuisibles à toute réception radio ou télévision, ce qui peut être déterminé en allumant et éteignant l'équipement, l'utilisateur est encouragé à tenter de corriger ces interférences en prenant l'une ou plusieurs des mesures suivantes :

- Réorienter l'antenne de réception ou en changer l'emplacement ;
- Augmenter la distance entre l'équipement et le récepteur ;
- Brancher l'équipement à une prise située sur un circuit différent de celui sur lequel le récepteur est connecté ;
- Contacter le détaillant ou consulter un technicien radio/télé qualifié.

Pour les États-Unis :

Ce dispositif est conforme à la Partie 15 des Règlements de la FCC. L'exploitation est autorisée aux deux conditions suivantes : (1) le dispositif ne doit pas produire de brouillage nuisible, et (2) le dispositif doit accepter tout brouillage radioélectrique subi, même si le brouillage est susceptible de compromettre son fonctionnement.

CAN ICES-5(B)/NMB-5(B)

CONSERVEZ LES PRÉSENTES INSTRUCTIONS.

⚠ ATTENTION : Utilisez uniquement des batteries au lithium-ion Makita d'origine. L'utilisation de batteries autres que les batteries d'origine Makita, ou encore de batteries qui ont été modifiées peut entraîner l'explosion de la batterie et provoquer des incendies, des blessures et d'autres dommages.

DESCRIPTION DE FONCTIONNEMENT

Installation ou retrait de la batterie (Fig. 1)

⚠ ATTENTION :

- Mettez toujours le luminaire hors tension avant d'installer ou de retirer la batterie.
- **Tenez le luminaire et la batterie fermement lors de l'installation ou du retrait de la batterie.** Dans le cas contraire, ils pourraient vous glisser des mains, ce qui pourrait endommager le luminaire et la batterie, et vous blesser.

Pour retirer la batterie, faites-la glisser du luminaire tout en faisant glisser le bouton se trouvant à l'avant. Pour installer la batterie, alignez sa languette sur la rainure pratiquée dans le boîtier, et glissez la batterie en place. Insérez-la à fond jusqu'à ce que vous entendiez un clic. Si vous pouvez voir l'indicateur rouge situé sur le dessus du bouton, la batterie n'est pas complètement verrouillée.

⚠ ATTENTION :

- Installez toujours la batterie à fond jusqu'à ce que vous ne puissiez plus voir l'indicateur rouge. Dans le cas contraire, la batterie pourrait tomber accidentellement du luminaire et entraîner des blessures.
- Ne forcez pas sur la batterie pour l'installer. Si la batterie ne glisse pas facilement, c'est qu'elle n'est pas insérée correctement.

L'utilisation de batteries autres que les batteries d'origine Makita, ou encore de batteries qui ont été modifiées, annulerait la garantie de Makita s'appliquant à l'outil Makita et au chargeur.

Affichage de la capacité résiduelle de la batterie (Fig. 2)

(Uniquement pour les batteries dont le numéro de modèle se termine par « B ».)

Appuyez sur le bouton de vérification sur la batterie pour afficher la capacité résiduelle de la batterie. Les témoins s'allument pendant quelques secondes.

Témoins		Capacité résiduelle
Allumé	Éteint	
■ ■ ■ ■		75 % à 100 %
■ ■ ■ □		50 % à 75 %
■ ■ □ □		25 % à 50 %
■ □ □ □		0 % à 25 %

REMARQUE :

- Selon les conditions d'utilisation et la température ambiante, il est possible que la capacité relevée soit légèrement différente par rapport à la capacité réelle.

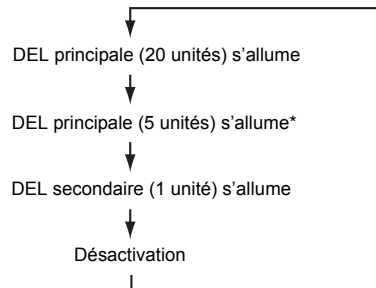
Protection contre la décharge accélérée

Si la capacité de la batterie n'est pas suffisante, la torche s'éteint automatiquement. Si cela se produit, retirez la batterie de l'outil et rechargez la batterie.

Actionnement de l'interrupteur de la torche (Fig. 3)

⚠ ATTENTION :

- Ne regardez pas la lampe à DEL et n'observez pas la source de lumière directement.
- Appuyez sur l'interrupteur de la torche de la façon illustrée ci-dessous pour changer le mode.



* Les DEL du côté opposé à l'interrupteur de la torche s'allument.

Crochet métallique (Fig. 4)

Dépliez le crochet métallique avant de l'utiliser. Il est possible de tourner le crochet à 360 ° ou de l'enlever.

Connexion d'un dispositif USB (Fig. 5)

⚠ ATTENTION :

- Branchez uniquement les dispositifs compatibles avec le port d'alimentation USB. Autrement, cela pourrait entraîner une défaillance du porte-batterie.

Ce luminaire (et la batterie) peut servir de source d'alimentation externe pour les dispositifs USB. Ouvrez le couvercle et branchez le câble USB (non inclus) au port d'alimentation du porte-batterie. Branchez ensuite l'autre extrémité du câble au dispositif.

Appuyez sur l'interrupteur d'alimentation USB. L'interrupteur s'allume de la couleur verte et le port d'alimentation USB (avec la batterie) commence à fournir une alimentation de 5 V cc, 2,1 A au maximum. Appuyez de nouveau sur l'interrupteur d'alimentation USB pour éteindre l'alimentation.

REMARQUE :

- Avant de brancher le dispositif USB au luminaire (avec la batterie), sauvegardez toujours les données du dispositif USB. Autrement, les données pourraient être perdues de façon permanente.
- Le luminaire n'est pas adapté à tous les dispositifs USB.
- Lorsqu'il n'est pas utilisé, ou après le chargement, retirez le câble USB et fermez le couvercle.
- Pour préserver la batterie, l'interrupteur d'alimentation USB s'éteindra automatiquement si 30 minutes se sont écoulées depuis que l'alimentation est terminée ou si aucune alimentation n'est réalisée pendant 30 minutes.
- Si la capacité résiduelle de la batterie est faible, l'interrupteur d'alimentation USB s'éteindra et l'alimentation s'interrompra pour éviter une décharge totale de la batterie. Si tel est le cas, rechargez la batterie ou remplacez-la.

Accessoire magnétique (accessoire en option) (Fig. 6, 7)

Fixez l'accessoire magnétique en serrant la vis. Lorsque vous installez l'outil en utilisant l'accessoire magnétique, fixez l'accessoire magnétique à l'aide d'un cordon.

AVERTISSEMENT :

- Ne tenez pas l'accessoire magnétique près de matériel de précision comme un appareil électronique, une horloge, une montre ou une carte à circuit intégré. La force magnétique pourrait leur nuire.
- N'utilisez pas l'accessoire magnétique à proximité d'un stimulateur cardiaque. Une défaillance pourrait se produire.

AVIS :

Avant d'installer l'accessoire, assurez-vous que l'aimant peut être installé sur le métal souhaité et qu'il y a suffisamment d'espace pour l'accessoire. Une fois fixé, assurez-vous que l'outil est installé fermement.

AVIS :

- Si l'accessoire magnétique est en place sur le matériau pour une longue période, la surface du matériau pourrait être endommagée, selon les conditions d'utilisation.
- Ne faites pas glisser l'accessoire magnétique lorsque vous le détachez. La surface sur laquelle l'accessoire magnétique est fixé pourrait être endommagée.

MAINTENANCE

Pour assurer le fonctionnement sûr et fiable du produit, les réparations et l'entretien doivent être effectués par un centre de service agréé Makita.

⚠ ATTENTION :

- N'utilisez jamais d'essence, de benzine, de solvant, d'alcool ou tout autre produit similaire. Cela pourrait

provoquer une décoloration, une déformation ou la formation de fissures.

ACCESSOIRES EN OPTION

⚠ ATTENTION :

Ces accessoires et fixations sont recommandés pour être utilisés avec le luminaire Makita spécifié dans ce manuel. L'utilisation de tout autre accessoire ou fixation peut comporter un risque de blessure. Les accessoires et fixations doivent être utilisés uniquement de la manière adéquate prévue.

- Bandoulière
- Accessoire magnétique
- Batterie et chargeur Makita d'origine

REMARQUE :

- Certains éléments de la liste peuvent être fournis comme accessoires de base avec le luminaire. Ils peuvent varier suivant les pays.

Descripción de las piezas

- | | | |
|--------------------------------------|-------------------------------------|--------------------------------|
| 1. Cartucho de batería | 6. Interruptor de luz | 11. Puerto USB de alimentación |
| 2. Botón de liberación de la batería | 7. LED principal (20 piezas) | eléctrica |
| 3. Indicador rojo | 8. LED secundario (1 pieza) | 12. Orificio |
| 4. Luces indicadoras | 9. Gancho de metal | |
| 5. Botón de comprobación | 10. Interruptor USB de alimentación | |
| | eléctrica | |

ESPECIFICACIONES

Características principales		Modelo		
Tensión		ML104		
LED		CC 10,8 V - 12 V máx		
		LED principal 0,5 W x 20 piezas		
		LED secundario 2,0 W x 1 pieza		
USB de alimentación eléctrica	Puerto	USB tipo A		
	Voltaje de salida	CC 5 V		
	Corriente de salida	2,1 A		
Tiempo de operación (aproximadamente)	Cartucho de batería estándar	LED principal (20 piezas) cuando está encendido	LED principal (5 piezas) cuando está encendido	LED secundario (1 pieza) cuando está encendida
	BL1016	2,0 horas	6,5 horas	7,0 horas
	BL1021B	2,5 horas	8,5 horas	9,5 horas
	BL1041B	5,5 horas	17 horas	19 horas
Dimensiones (con BL1041B)	con el gancho colocado	La. 414 mm (16-1/4") x An. 66 mm (2-5/8") x Al. 132 mm (5-3/16")		
	con el gancho almacenado	La. 360 mm (14-1/8") x An. 66 mm (2-5/8") x Al. 101 mm (4")		
Peso neto		0,61 - 0,78 kg (1,4 - 1,7 lbs)		

- Debido a nuestra investigación y desarrollo constante, las especificaciones aquí dadas están sujetas a cambios sin previo aviso.
- Nota: Las especificaciones pueden ser diferentes de país a país.
- Puede que el tiempo de operación varíe en función del tipo de batería y las condiciones de uso.
- El peso puede variar dependiendo de los accesorios, incluyendo el cartucho de batería. La combinación más liviana y pesada, de acuerdo al EPTA-Procedure 01/2014, se muestran en la tabla.

INSTRUCCIONES IMPORTANTES DE SEGURIDAD

⚠ ADVERTENCIA:

Al usar linternas eléctricas, las precauciones básicas de seguridad deberán siempre seguirse para reducir el riesgo de incendio, descarga eléctrica y lesiones al usuario, incluyendo las siguientes:

LEA TODAS LAS INSTRUCCIONES.

1. Antes de utilizar el cartucho de batería, lea todas las instrucciones e indicaciones de precaución sobre (1) el cargador de batería, (2) la batería, y (3) el producto con el que se utiliza la batería.
2. Recargue solamente con el cargador especificado por el fabricante. Un cargador que sea adecuado para un tipo de cartucho de batería específico puede generar un riesgo de incendio al usarse con otro cartucho de batería.
3. Use una fuente de alimentación con el voltaje que se especifica en la placa del fabricante del cargador.
4. No intente usar un transformador que intensifique el funcionamiento del transformador, así como un generador motor o un receptáculo de corriente continua (CC).
5. Recargue el cartucho de batería a temperatura ambiente a 10°C - 40°C (50°F - 104°F). Deje que un cartucho de batería caliente se enfríe antes de recargarlo.
6. Cuando no se esté usando el cartucho de batería, manténgalo alejado de otros objetos metálicos, como sujetapapeles (clips), monedas, llaves, clavos, tornillos u otros objetos pequeños de metal, los cuales pueden actuar creando una conexión entre las terminales de la batería. Si ocasiona un cortocircuito uniendo los terminales de la batería puede provocar, chispas, quemaduras o un incendio.
7. Después de recargar o antes de intentar realizar cualquier labor de mantenimiento o limpieza, desenchufe el cargador de la fuente de alimentación.

8. No toque el interior de la cabeza de la linterna con pinzas, herramientas de metal, etc.
9. En condiciones abusivas, podrá escapar líquido de la batería, evite tocarlo. Si lo toca accidentalmente, enjuague con agua. Si hay contacto del líquido con los ojos, acuda por atención médica. Puede que el líquido expulsado de la batería cause irritación o quemaduras.
10. No cierre el circuito entre los terminales del cartucho de batería:
 - (1) No toque los terminales con ningún material conductor.
 - (2) Evite guardar el cartucho de batería en algún cajón junto con cualquier otro objeto metálico, como clavos, monedas, etc.
 - (3) No exponga el cartucho de batería a la lluvia ni a la nieve.

Un cortocircuito puede provocar un elevado flujo de corriente, sobrecalentamiento, posibles quemaduras e incluso una avería.
11. En caso de que ingresen electrolitos en sus ojos, enjuáguelos bien con agua limpia y acuda a un médico de inmediato. Esto podría ocasionar la pérdida de la visión.
12. Tenga cuidado de no dejar caer ni golpear la batería.
13. Nunca incinere el cartucho de batería incluso en el caso de que esté dañado seriamente o ya no sirva en lo absoluto. El cartucho de batería puede explotar si se arroja al fuego.
14. Siga las regulaciones locales relacionadas con el desecho de las baterías.
15. Las baterías con contenido de iones de litio están sujetas a los requisitos de la Legislación de Insumos Peligrosos. Para compañías terceras de transporte comercial, p.ej. servicios de paquetería y agentes de envío, deberán seguirse los requisitos de etiquetado y empaquetado correspondientes.

Para la preparación del artículo a ser enviado, se requiere contar con la asesoría de un experto en manejo de materiales peligrosos. Observe también por favor las posibles regulaciones que apliquen a nivel nacional. Coloque una barrera o cinta adhesiva en los contactos expuestos y empaque la batería de tal manera que no pueda moverse dentro del paquete.
4. No exponga la luz de manera continua a los ojos. Esto podría lastimarlos.
5. No cubra ni obstruya la linterna encendida con trapos, cartones, etc. Cubrirla u obstruirla puede encender en fuego.
6. No desarme el cargador ni el cartucho de batería; acuda a un técnico de servicio calificado cuando se requiera de servicio o reparación. Un ensamblado incorrecto podría resultar en riesgo de descarga eléctrica o incendio.
7. Use linternas solo con el cartucho de batería específicamente designado. El uso de cualquier otro cartucho de batería puede generar riesgo de lesión e incendio.
8. Si el tiempo de uso del cartucho de batería se acorta demasiado, deje de usarlo inmediatamente. Podría resultar en un riesgo de sobrecalentamiento, posibles quemaduras e incluso una explosión.
9. No use con una batería dañada.
10. Recargue el cartucho de batería antes de que se descargue por completo. Siempre detenga la operación de la linterna y recargue el cartucho de batería cuando note menor potencia en la luz de la linterna.
11. Nunca recargue un cartucho de batería que esté completamente recargado.

El sobrecargar acorta la vida útil de la batería.
12. Si surge cualquier problema, acuda a su Centro de Servicio o Distribuidor Makita. Para mantener la seguridad y fiabilidad del producto, la reparación, el mantenimiento o el ajuste deben llevarse a cabo por un centro de servicio autorizado por Makita.
13. Recargue el cartucho de batería cuando no se haya usado durante un periodo prolongado (más de seis meses).

Precauciones para el usuario

Los cambios o modificaciones que no hayan sido expresamente autorizados por la entidad responsable por el cumplimiento de las regulaciones podrían anular la autoridad del usuario de utilizar este equipo.

Este equipo ha sido probado y demuestra que cumple con los límites de un Dispositivo Digital de Clase B, en conformidad con la sección 15 de las regulaciones de la FCC. Estos límites están diseñados para brindar una protección razonable contra a interferencia perjudicial en un ámbito residencial.

Este equipo genera, utiliza y puede irradiar energía de radiofrecuencia y, de no instalarse y usarse de acuerdo a las instrucciones, puede que cause interferencia perjudicial en la radiocomunicación.

Sin embargo, no hay garantía de que la interferencia no ocurrirá en un ámbito en particular. Si este equipo no causa interferencia perjudicial a la recepción de la señal de radio o televisión, lo cual se puede determinar al encender y apagar el equipo, entonces se anima al usuario a tratar de corregir la interferencia mediante una o más de las siguientes medidas:

- Reorientar o reubicar la antenna receptora.
- Aumentar la separación entre el equipo y el receptor.
- Conectar el equipo en un tomacorriente de un circuito distinto del que está conectado el receptor.
- Recurrir a la ayuda del distribuidor o de un técnico de radio/TV con experiencia.

Seguridad eléctrica

1. No inserte ningún clavo, alambre u objeto similar dentro del puerto USB de alimentación eléctrica. De lo contrario puede que un corto circuito genere humo y fuego.
2. No conecte la fuente de alimentación eléctrica al puerto USB. De lo contrario, se corre el riesgo de incendio. El puerto USB esta solamente diseñado para recargar un dispositivo de bajo voltaje. Coloque siempre la cubierta del puerto USB mientras no se encuentre recargando un dispositivo de bajo voltaje.

PRECAUCIÓN:

1. Cuando no utilice la linterna, siempre apáguela y extraiga el cartucho de batería de la linterna.
2. No guarde la linterna ni el cartucho de batería en lugares donde la temperatura pueda alcanzar o exceder los 50°C (122°F).
3. Evite los impactos a la linterna por dejarla caer, golpeándola, etc.

Para Estados Unidos:

Este dispositivo cumple con la Parte 15 del reglamento de la FCC. La operación está sujeta a las siguientes dos condiciones: (1) este dispositivo no deberá causar interferencias perjudiciales y, (2) este dispositivo deberá aceptar cualquier interferencia recibida, incluyendo la interferencia que podría ocasionar un desempeño no deseado.

CAN ICES-5(B)/NMB-5(B)

CONSERVE ESTAS INSTRUCCIONES.

⚠ PRECAUCIÓN: Use solamente baterías de iones de litio originales de Makita. El uso de baterías no originales de Makita, o de baterías que hayan sido alteradas, puede que resulte en que la batería estalle ocasionando incendios, así como daños y lesiones al usuario.

DESCRIPCIÓN OPERATIVA

Instalación o desinstalación del cartucho de batería (Fig. 1)

⚠ PRECAUCIÓN:

- Apague siempre la linterna antes de colocar o quitar el cartucho de batería.
- **Sujete la linterna y el cartucho de batería con firmeza al colocar o extraer el cartucho.** No sujetar la linterna y cartucho de batería puede que resulte en que el cartucho resbale de sus manos y se dañe la herramienta y el cartucho de batería, así como ocasionar lesiones personales.

Para quitar el cartucho de batería, deslicelo de la linterna mientras desliza el botón sobre la parte delantera del cartucho.

Para colocar el cartucho de batería, alinee la lengüeta sobre el cartucho de batería con la ranura en la carcasa y deslice en su lugar. Inserte por completo hasta que se fije en su lugar con un pequeño clic. Si puede ver el indicador rojo del lado superior del botón, esto indica que no ha quedado fijo por completo.

⚠ PRECAUCIÓN:

- Introduzca siempre completamente el cartucho de batería hasta que el indicador rojo no pueda verse. Si no, podría accidentalmente salirse de la linterna y caer al suelo causando una lesión a usted o alguien a su alrededor.
- No instale el cartucho de batería a la fuerza. Si el cartucho no se desliza al interior fácilmente, se debe a que no está siendo insertado correctamente.

El uso de baterías no originales de Makita, o de baterías que hayan sido alteradas, anulará la garantía Makita para la herramienta y el cargador Makita.

Indicación de la capacidad restante de la batería (Fig. 2)

(Solamente para cartuchos de batería con "B" al final del número de modelo).

Presione el botón de comprobación en el cartucho de batería para consultar la capacidad restante de la batería. Las luces indicadoras se encenderán por algunos segundos.

Luces indicadoras		Capacidad restante
Encendido	Desactivado	
■ ■ ■ ■		75% a 100%
■ ■ ■ □		50% a 75%
■ ■ □ □		25% a 50%
■ □ □ □		0% a 25%

NOTA:

- Dependiendo de las condiciones de uso y la temperatura ambiental, puede que la indicación difiera levemente de la capacidad real.

Protección contra la sobredescarga

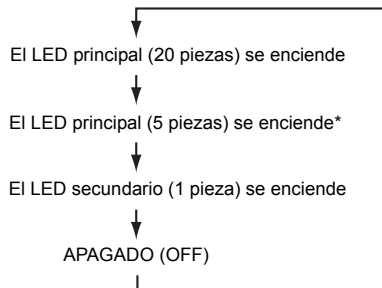
Cuando la capacidad de la batería no es suficiente, la máquina se apaga automáticamente. En este caso, retire el cartucho de la batería de la herramienta y recargue la batería.

Operaciones del interruptor de luz (Fig. 3)

⚠ PRECAUCIÓN:

- No mire a la luz LED ni vea la fuente de luz directamente.

Presione el interruptor de luz, como se muestra más adelante, para alternar el modo.



* Los LEDs sobre el lado opuesto del interruptor de luz se encienden.

Gancho de metal (Fig. 4)

Antes de usarlo, gire verticalmente el gancho de metal sobre su eje.

El gancho se puede girar en 360° y se puede retirar.

Conexión de dispositivos USB (Fig. 5)

⚠ PRECAUCIÓN:

- Conecte solamente dispositivos los cuales sean compatibles con un puerto USB de alimentación. De lo contrario, puede que se genere un defecto en el funcionamiento del portabatería.

Esta linterna (con la batería) puede funcionar como una fuente de alimentación eléctrica externa para dispositivos USB.

Abra la cubierta y conecte el cable USB (no incluido) al puerto de alimentación eléctrica del portabatería. Luego conecte el otro extremo del cable al dispositivo. Presione el interruptor USB de alimentación eléctrica. El interruptor se ilumina en color verde y el puerto USB de alimentación eléctrica (con la batería) comienza a alimentar con CC 5V; 2,1 A al máximo. Presione el interruptor USB de alimentación eléctrica de nuevo para desactivar el suministro eléctrico.

NOTA:

- Antes de conectar un dispositivo USB a la linterna (con la batería), prepare siempre una copia de respaldo de la información de su dispositivo USB. De lo contrario, puede que por alguna posibilidad su información se pierda.
- Puede que la linterna no suministre energía eléctrica a algunos dispositivos USB.
- Al no usarse o tras la recarga, retire el cable USB y cierre la cubierta.
- Para ahorrar energía de la batería, el interruptor USB de alimentación eléctrica se apagará cuando hayan transcurrido 30 minutos desde que haya finalizado la alimentación eléctrica o que la alimentación eléctrica no se haya accionado durante 30 minutos.
- Si la capacidad restante de la batería se reduce a cierto nivel, el interruptor USB de la alimentación eléctrica se apagará y el interruptor de la alimentación eléctrica se desactivará para impedir que la batería se sobredescargue. En este caso, recargue la batería o reemplácela con otra.

Accesorio de magneto (opcional) (Fig. 6, 7)

Conecte el accesorio de magneto apretando el tornillo. Cuando conecte la herramienta con el accesorio de magneto, use una cinta para fijar el accesorio de magneto.

ADVERTENCIA:

- No acerque el accesorio de magneto a un equipo de precisión, como dispositivos electrónicos, relojes independientes o de pulsera o tarjetas IC. La fuerza magnética puede afectarlos.
- No use el accesorio de magneto cerca del marcapasos cardíaco. Corre el riesgo de un funcionamiento incorrecto.

AVISO:

Antes del aditamento, asegúrese de que el magneto se puede adherir al metal deseado, y que hay suficiente espacio para el aditamento. Después del aditamento, asegúrese de que la herramienta está firmemente ajustada.

AVISO:

- Si el accesorio de magneto permanece conectado a un material por un período largo, la superficie del material puede resultar dañada, dependiendo de las condiciones de uso.
- Cuando desconecte el accesorio de magneto, no lo deslice. Puede dañar la superficie del material al que está conectado el accesorio.

MANTENIMIENTO

Para mantener la seguridad y fiabilidad del producto, la reparación y el mantenimiento deben llevarse a cabo por un centro de servicio autorizado por Makita.

⚠ PRECAUCIÓN:

- Nunca use gasolina, bencina, diluyentes (tíner), alcohol o alguna sustancia similar. El uso de estas sustancias podría generar decoloraciones, deformaciones o grietas.

ACCESORIOS OPCIONALES

⚠ PRECAUCIÓN:

Estos accesorios o aditamentos están recomendados para utilizarse con su linterna Makita que se especifica en este manual. El empleo de cualquier otro accesorio o aditamento puede conllevar un riesgo de lesiones personales. Los accesorios o aditamentos deben solamente ser utilizados para el propósito con el que fueron hechos.

- Correa para hombro
- Accesorio de magneto
- Batería y cargador originales de Makita

NOTA:

- Algunos de los artículos en la lista puede que vengan junto con el paquete de la linterna como accesorios incluidos. Puede que estos accesorios varíen de país a país.

Makita Corporation
3-11-8, Sumiyoshi-cho,
Anjo, Aichi 446-8502 Japan

ML104-NA3(12VMAX)-1607

www.makita.com

ALA