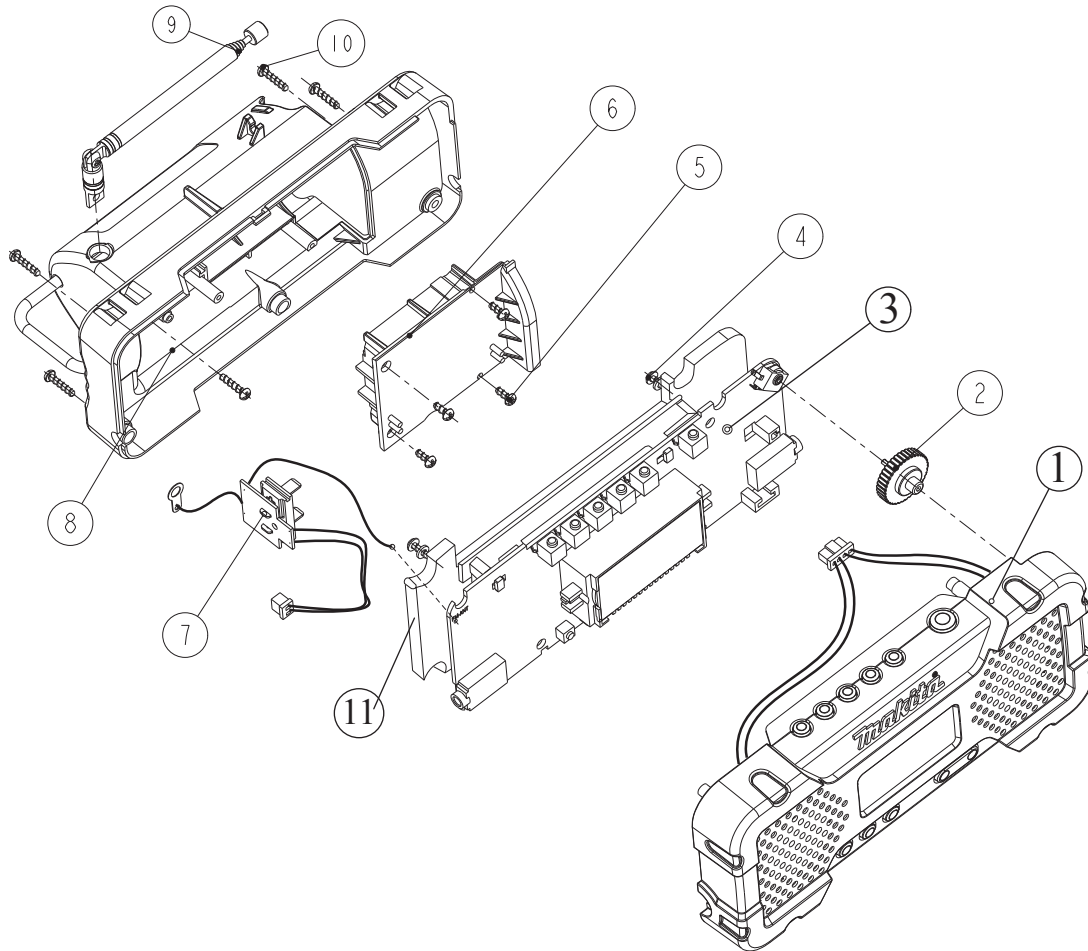




07 - 2011  
RM01  
10.8V /12V RADIO



Item No.		Part No.	Description	Qty	Unit
001	2	GM00001215	* FRONT BODY ASSY	1	PC.
002		GM00001201	TUNING KNOB	1	PC.
003	2	GM00001217	* MAIN CIRCUIT ASSY	1	PC.
004		GM00001203	SCREW 2.3X10PWA	2	PC.
005		GM00001204	SCREW 2.3X6BB	4	PC.
006		GM00001205	BATTERY COVER	1	PC.
007		GM00001206	TERMINAL ASSY	1	PC.
008		GM00001207	BACK BODY ASSY	1	PC.
009		GM00001208	ROD ANTENNA	1	PC.
010		GM00001209	SCREW 2.6X12BB	6	PC.
011		GM00001222	* SOUND SPONGE (Added)	1	PC.

#### **ACCESSORIES**

A01		DC10WB	CHARGER DC10WB	1	PC.
A01	2	DC10WB	CHARGER DC10WB	1	PC.
A02		194551-4	10.8V LI-ION BATTERY BL1013	1	PC.
A02		195332-9	12V MAX LI-ION BATTERY BL1014	1	PC.
A03		GM00001245	SHOULDER BAND	1	PC.

#### **SERVICE CHANGES**

##### **1. Change on Front body and Main Circuit Assy to improve sound quality**

Item No.	Description	Type 1	Type 2
1	Front body assy	GM00001200	GM00001215
3	Main circuit assy	GM00001202	GM00001217
11	Sound sponge	-----	GM00001222

**Above parts are completely interchangeable as a set.**

- The speaker diameter has been changed from 31mm to 36mm.
- Sound sponge has been added.