



**Instruction Manual**  
**Manuel d'instructions**  
**Manual de instrucciones**  
**Manual de Instruções**  
**使用说明书**  
**使用說明書**  
**사용 설명서**  
**Petunjuk penggunaan**  
**Tài liệu hướng dẫn**  
**คู่มือการใช้งาน**

**⚠ Warning:** Before use, read this booklet and the instruction manual of the power unit. Failure to follow the warnings and instructions may cause serious or fatal injury.

**⚠ Avertissement :** Avant toute utilisation, veuillez lire ce mode d'emploi et le manuel d'instructions du groupe moteur. L'ignorance des avertissements et des instructions comporte un risque de blessure grave ou mortelle.

**⚠ Advertencia:** Antes de usar lea este folleto, así como el manual de instrucciones del equipo motorizado. No seguir las advertencias e instrucciones puede que resulte en lesiones graves o mortales.

**⚠ Aviso:** Antes de usar, leia este livreto e o manual de instruções da unidade motorizada. A falha em seguir os avisos e as instruções pode causar ferimentos graves ou fatais.

**⚠ 警告：**使用前请阅读本手册及动力装置的指导手册。违反这些警告和指示可能导致严重或致命的人身伤害。

**⚠ 警告：**使用前，請閱讀本手冊與動力裝置的說明手冊。若未遵循警告事項與說明，可能會導致嚴重或致命傷害。

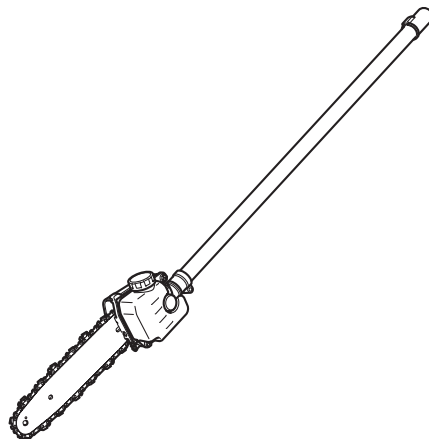
**⚠ 경고：** 사용하기 전에 본 책자와 동력 장치의 사용 설명서를 읽으십시오. 경고 및 지침을 준수하지 않으면 중상 또는 치명상을 입을 수 있습니다.

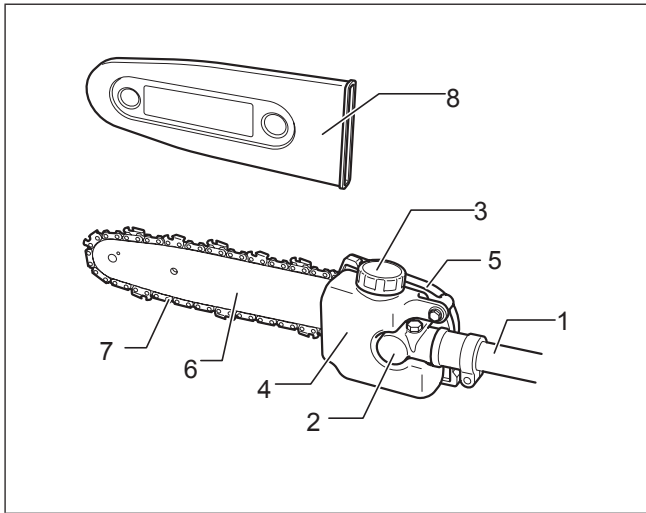
**⚠ Peringatan:** Sebelum menggunakan, bacalah buklet ini dan petunjuk penggunaan unit penggerak. Kelalaian untuk mengindahkan peringatan dan petunjuk dapat mengakibatkan cedera serius atau fatal.

**⚠ Cảnh báo:** Trước khi sử dụng, hãy đọc cuốn sách nhỏ này và tài liệu hướng dẫn về thiết bị điện. Không tuân theo các cảnh báo và hướng dẫn có thể dẫn đến thương tích nghiêm trọng hoặc thương tích chết người.

**⚠ คำเตือน:** ก่อนการใช้งาน โปรดอ่านคู่มือฉบับนี้และคู่มือใช้งานของเครื่องมือไฟฟ้า การไม่ปฏิบัติตาม คำเตือนและคำแนะนำดังกล่าวอาจทำให้ได้รับบาดเจ็บรุนแรงหรือเสียชีวิต

## EY401MP

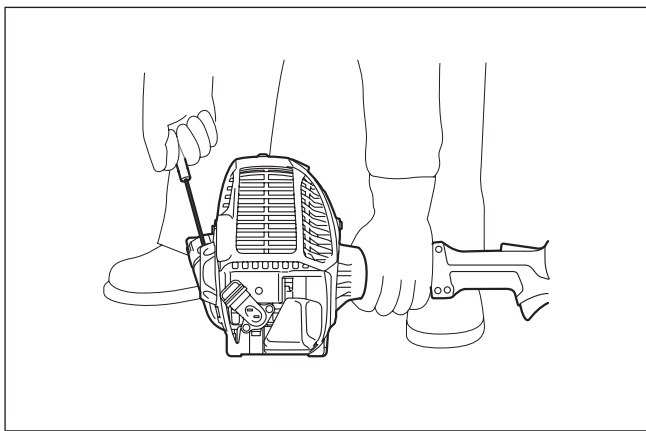




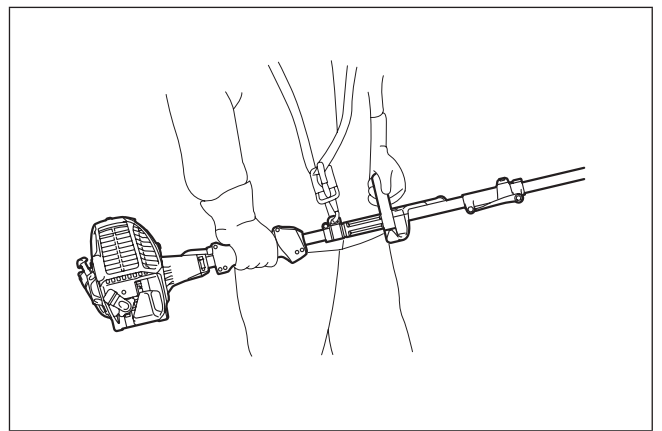
1



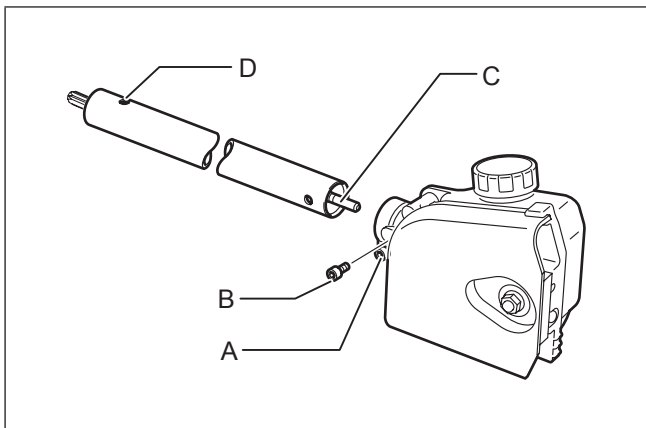
2



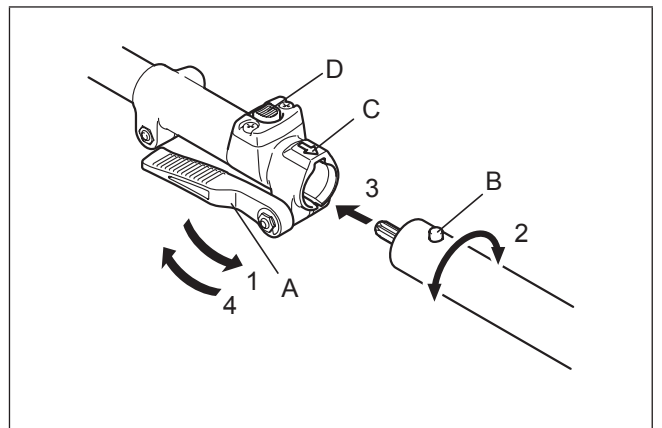
3



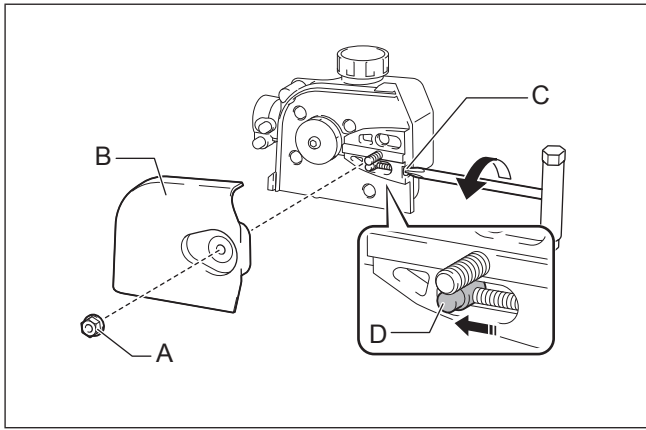
4



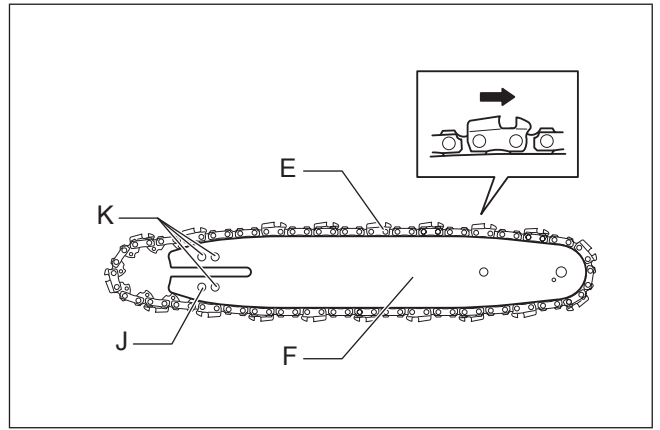
5



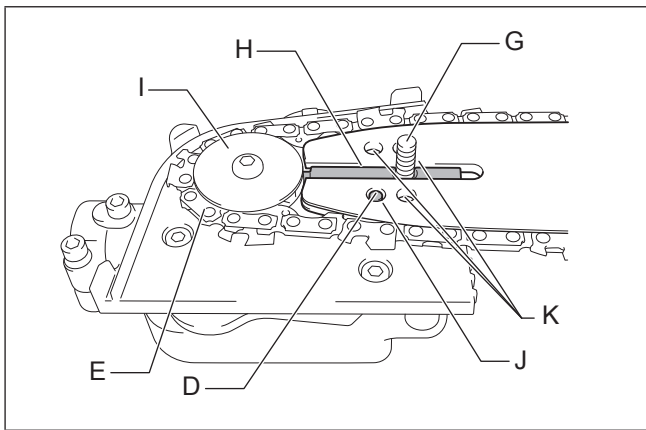
6



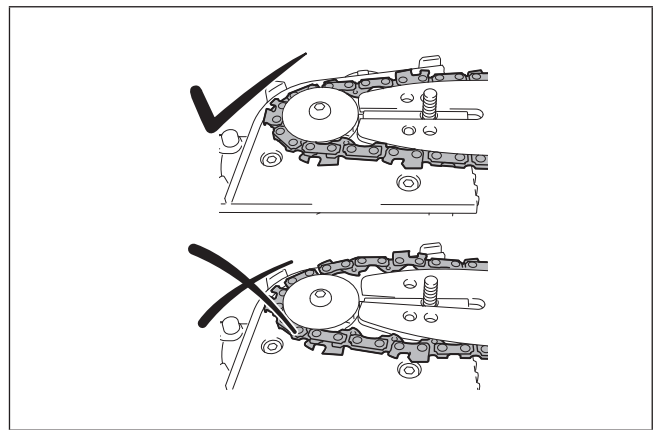
7



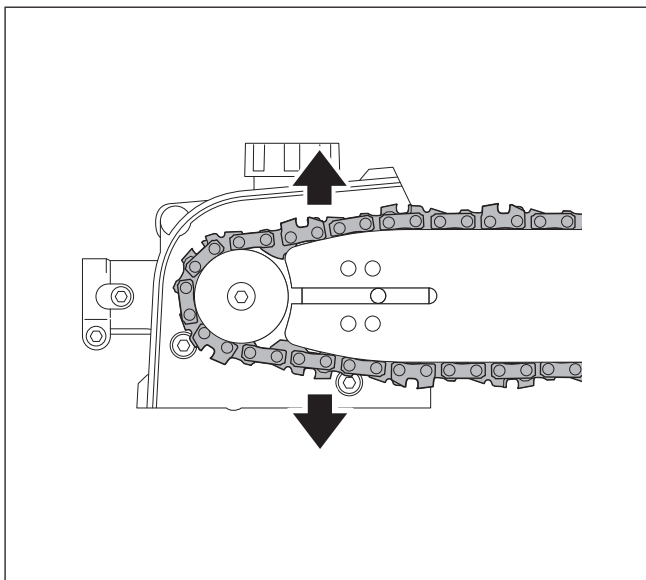
8



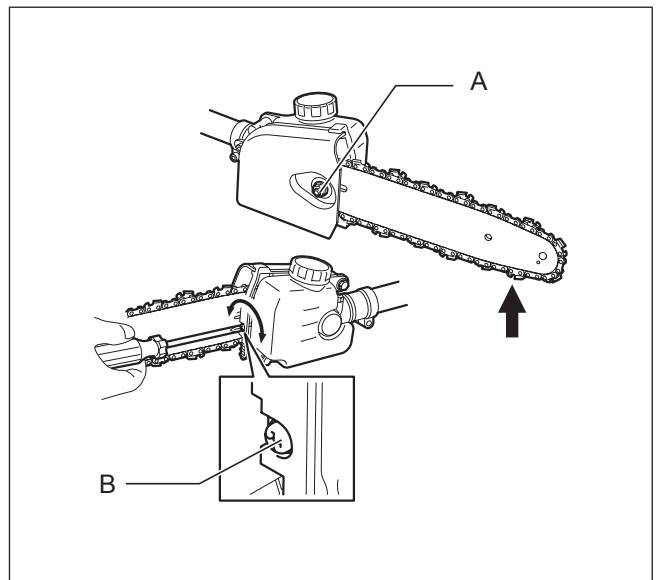
9



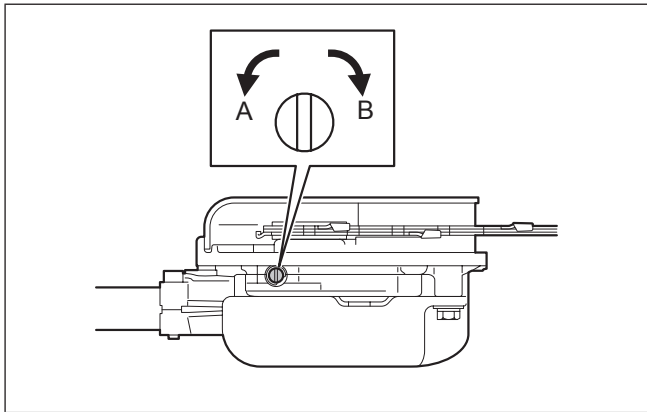
10



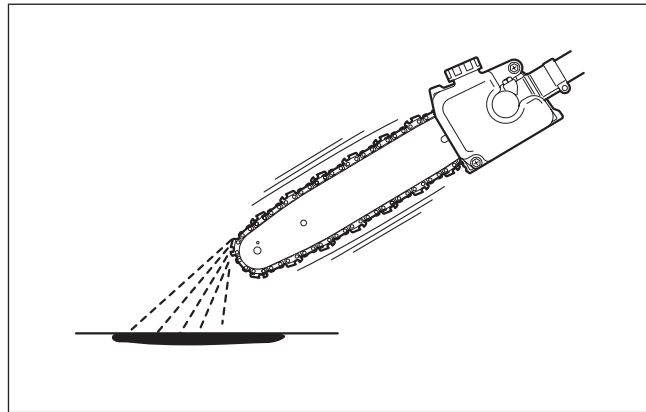
11



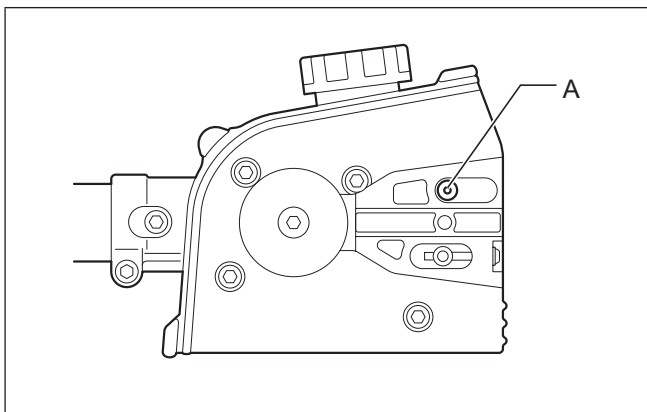
12



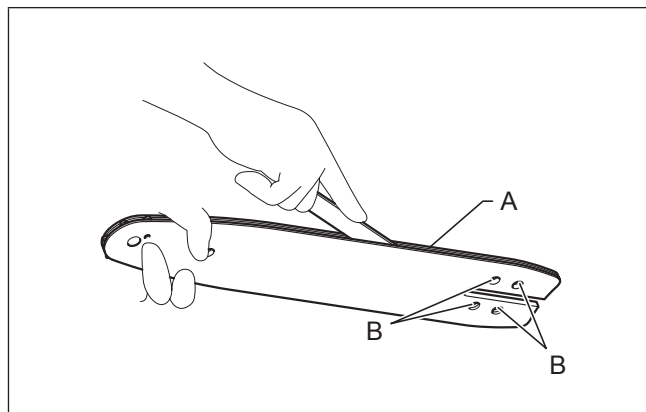
13



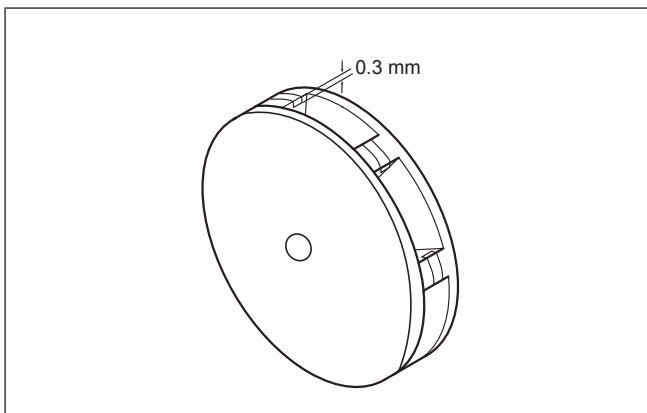
14



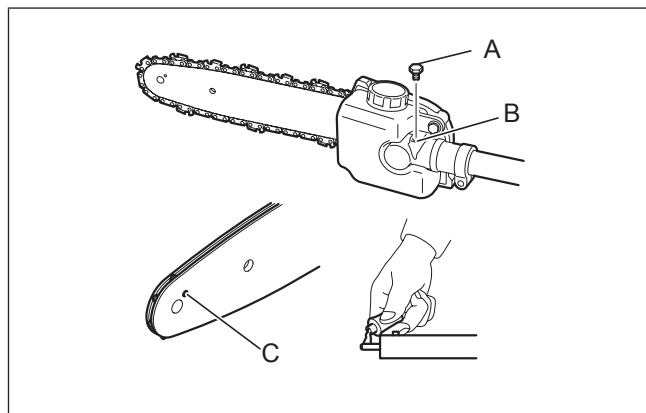
15



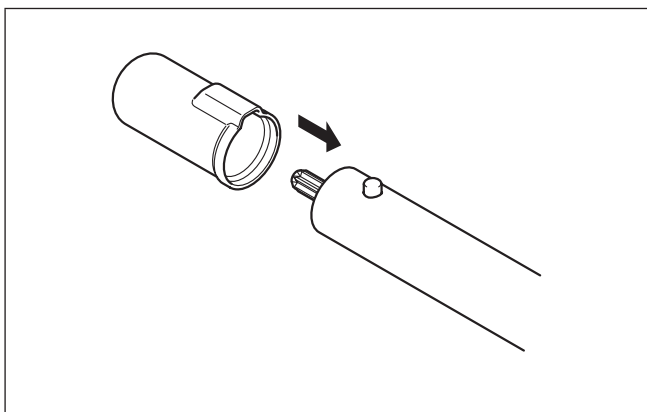
16



17



18



19

## Foreword

Thank you very much for purchasing Makita pole saw attachment. This attachment is designed to be mounted on Makita power unit mentioned in this instruction manual. Before use, please read this booklet and the instruction manual of the power unit. They will assist you to obtain the best possible result from your Makita pole saw attachment.

Table of Contents	Page
Foreword .....	5
Symbols .....	5
Approved power unit.....	5
Part description.....	6
Safety precautions.....	6
Assembly and adjustment .....	7
Inspection and maintenance.....	8
Storage.....	8
Maintenance schedule.....	9
Troubleshooting.....	9
Technical data.....	9

## Symbols

The following symbols are used on the attachment and this instruction manual. Understand these definitions.



Read and follow the instruction manual.



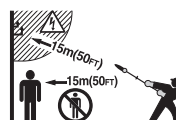
Take particular care and attention!



Wear protective helmet, eye and ear protection.



Wear sturdy boots with non-slip soles.



Keep a distance of at least 15 m (50 ft) between the equipment and bystanders and/or electrical line (including any branches contacting it). Risk of electrical shock and/or personal injury.



Never hold the pole saw at an angle of more than 60°.



Chain oil



First Aid

## Approved power unit

This attachment is approved to use only with the following power unit(s):

**EX2650LH Multi Function Power Head**  
**HXU01, HXU02, BUX360, BUX361, BUX362, UX360D,**  
**UX361D, UX362D**

**Cordless Multi Function Power Head**

**⚠ WARNING:** Never use the attachment with non-approved power unit. Non-approved combination may cause serious injury.

## Part description (Fig. 1)

The numbers below refer to the figure

1. Shaft
2. Gear Case
3. Oil cap
4. Oil tank
5. Bar holder
6. Guide bar
7. Saw chain
8. Guide bar cover

## Safety precautions

**⚠ WARNING: Read all safety warnings and all instructions in this booklet and the instruction manual of the power unit. Failure to follow the warnings and instructions may result in electric shock, fire and/or serious injury.**

**Save all warnings and instructions for future reference.**

The term "pole saw" and "equipment" in the warnings and precautions refer to the combination of the attachment and the power unit.

The term "motor" in the warnings and precautions refers to the engine or electric motor of the power unit.

### Intended use

- This attachment is designed for only the purpose of pruning branches and limbs less than 15 cm in diameter in conjunction with an approved power unit. Never use the attachment for the other purpose. Abusing the attachment may cause serious injury.

### General precautions

- Before starting the pole saw, read this booklet and the instruction manual of the power unit to become familiar with the handling of the pole saw.
- Do not lend the attachment to a person with insufficient experience or knowledge regarding handling of pole saws.
- When lending the attachment, always attach this instruction manual.
- Do not allow children or young persons under 18 years old to use the pole saw. Keep them away from the pole saw.
- Handle the pole saw with the utmost care and attention.
- Never use the pole saw after consuming alcohol or drugs, or if feeling tired or ill.
- Never attempt to modify the attachment.
- National regulations may restrict of the use of the equipment. Follow the regulations about handling of pole saws and chain saws in your country.

### Personal protective equipment

- Wear safety helmet, protective goggles and protective gloves to protect yourself from flying debris or falling objects. (Fig. 2)
- Wear ear protection such as ear muffs to prevent hearing loss.
- Wear proper clothing and shoes for safe operation, such as a work overall and sturdy, non-slip shoes. Do not wear loose clothing or jewelry. Loose clothes, jewelry or long hair can be caught in moving parts.
- When handling the saw chain or adjusting the chain tension, wear protective gloves. Saw chain can cut bare hands severely.

### Work area safety

- **⚠ Danger:** Keep the pole saw at least 15 m away from electric lines and communication cables (including any branches contacting them). Touching or approaching high-voltage lines with the pole saw can result in death or serious injury. Watch power lines and electrical fences around the work area before starting operation.
- Operate the pole saw under good visibility and daylight conditions only. Do not operate the pole saw in darkness or fog.
- Start and operate the engine only outdoors in a well ventilated area. Operation in a confined or poorly ventilated area can result in death due to suffocation or carbon monoxide poisoning.
- During operation, never stand on an unstable or slippery surface or a steep slope. During the cold season, beware of ice and snow and always ensure secure footing.

- During operation, keep bystanders or animals at least 15 m away from the pole saw. Stop the motor as soon as someone approaches.
- Before operation, examine the work area for wire fences, walls, or other solid objects. They can damage the saw chain.
- **⚠ WARNING:** Use of this product can create dust containing chemicals which may cause respiratory or other illnesses. Some examples of these chemicals are compounds found in pesticides, insecticides, fertilizers and herbicides. Your risk from these exposures varies, depending on how often you do this type of work. To reduce your exposure to these chemicals: work in a well ventilated area, and work with approved safety equipment, such as those dust masks that are specially designed to filter out microscopic particles.

### Putting into operation


- Before assembling or adjusting the equipment, switch off the motor and remove the spark plug cap or the battery cartridge.
- Before handling the saw chain or adjusting the chain tension, wear protective gloves.
- Before starting the motor, inspect the equipment for damages, loose screws/nuts or improper assembly. Sharpen blunt saw chain. If the saw chain is bent or damaged, replace it. Check all control levers and switches for easy action. Clean and dry the handles.
- Never attempt to start the motor if the equipment is damaged or not fully assembled. Otherwise serious injury may result.
- Adjust the shoulder harness and hand grip to suit the operator's body size.
- Adjust the chain tension properly. Refill the chain oil, if necessary.

### Starting motor

- Wear the personal protective equipments before starting the motor.
- Start the engine at least 3 meters (10 feet) away from the fueling spot.
- Before starting the motor, make sure that there is no person or animal in the work area.
- When starting the engine or inserting a battery cartridge, keep the saw chain and guide bar clear of your body and other object, including the ground. The saw chain may move when starting and may cause serious injury or damage to the saw chain and/or property.
- Place the equipment on firm ground. Maintain good balance and secure footing.
- When pulling the starter knob, hold the power unit firmly against the ground by your left hand. Never step on the drive shaft of the power unit. (Fig. 3)
- Follow the instruction manual of the power unit for starting the motor.
- Check that there is sufficient difference between idling and engagement speed to ensure that the attachment is at a standstill while the engine is idling (if necessary reduce idling speed).
- If the saw chain moves at idle, stop the engine and adjust the idle speed down.

### Operation

- In the event of an emergency, switch off the motor immediately.
- If you feel any unusual condition (e.g. noise, vibration) during operation, switch off the motor. Do not use the equipment until the cause is recognized and solved.
- The saw chain continues to move for a short period after releasing the throttle trigger or switch off the motor. Don't rush to contact the saw chain.
- With the engine running only at idle, attach the shoulder harness.
- During operation, use the shoulder harness. Keep the equipment on your right side firmly. (Fig. 4)
- Hold the front handle with the left hand and the rear grip with the right hand, no matter you are right-hander or left-hander. Wrap your fingers and thumbs around the handles.
- Never attempt to operate the equipment with one hand. Loss of control may result in serious or fatal injury. To reduce the risk of injury, keep your hands and feet away from the blades.
- Do not overreach. Keep proper footing and balance at all times. Watch for hidden obstacles such as tree stumps, roots and ditches to avoid stumbling. Clear fallen branches and other objects away.
- Never work on a ladder or tree to avoid loss of control.

- If the equipment gets heavy impact or fall, check the condition before continuing work. Check the fuel system for fuel leakage and the controls and safety devices for malfunction. If there is any damage or doubt, ask Makita authorized service center for the inspection and repair.
- Do not touch the gear case. The gear case becomes hot during operation.
- Take a rest to prevent loss of control caused by fatigue. We recommend to take a 10 to 20-minute rest every hour.
- When you leave the equipment, even if it is a short time, always switch off the engine or remove the battery cartridge. The equipment unattended with the engine running may be used by unauthorized person and cause serious accident.
- Follow the instruction manual of the power unit for proper use of the control lever and switch.
- Pay attention to the environment. Avoid unnecessary throttle operation for less pollution and noise emissions. Adjust the carburetor correctly.
- During or after operation, do not put the hot equipment onto dry grass or combustible materials.
- Do not hold your right hand above shoulder height.
- During operation, never hit the saw chain against hard obstacles such stones and nails. Take particular care when cutting branches next to walls, wire fences or the like.
- If branches get caught in the attachment, always stop the motor and remove the spark plug cap or battery cartridge. Otherwise unintentional start may cause serious injury.
- If the saw chain becomes clogged, always switch off the motor and remove the spark plug cap or battery cartridge before cleaning.
- Accelerating the motor with the saw chain blocked increases the load and will damage the motor and/or clutch.
- Before cutting limbs, keep an escape area away from the falling limb. First, clear obstructs such as limbs and branches from the work area. Move all tools and goods from the escape area to another safe place.
- Before cutting branches and limbs, check the falling direction of them, considering the condition of branches and limbs, adjoining trees, wind direction, etc. Pay full attention to the falling direction, and the rebound of the branch, which hit the ground.
-  Never hold the pole saw at an angle of more than 60°. Otherwise falling objects can hit the operator and cause serious injury. Never stand underneath the limb being cut.
- Pay attention to broken or bent branches. They may bounce back in cutting, causing unexpected injury.
- Before cutting limbs that you intend to cut, remove branches and leaves around them. Otherwise the saw may be caught by them.
- To prevent the saw from being caught in the kerf, do not release the throttle lever before pulling the saw out of the kerf.
- If the saw chain is bound in the kerf, immediately stop the motor, carefully move the branch to open the kerf and release the saw.
- Avoid kickback (rotational reactive force towards the operator). To prevent kickback, never use the guide bar nose or perform a penetrating cut. Always beware of the position of the guide bar nose.
- Check the chain tension frequently. When checking or adjusting the chain tension, switch off the motor and remove the spark plug cap or battery cartridge. If the tension is loose, tighten it.

### Vibration

- People with poor circulation who are exposed to excessive vibration may experience injury to blood vessels or the nervous system. Vibration may cause the following symptoms to occur in the fingers, hands or wrists: "Falling asleep" (numbness), tingling, pain, stabbing sensation, alteration of skin color or of the skin. If any of these symptoms occur, see a physician!
- To reduce the risk of "white finger disease", keep your hands warm during operation and well maintain the equipment and accessories.

### Transport

- Before transporting the equipment, switch off the motor and remove the spark plug cap or battery cartridge. Always fit the guide bar cover during transportation.
- When transporting the equipment, carry it in a horizontal position by holding the shaft. Keep the hot muffler away from your body.
- When transporting the equipment in a vehicle, properly secure it to avoid turnover. Otherwise fuel spillage and damage to the equipment and other baggage may result.


### Maintenance

- Have your equipment serviced by our authorized service center, always using only genuine replacement parts. Incorrect repair and poor maintenance can shorten the life of the equipment and increase the risk of accidents.
- Before doing any maintenance or repair work or cleaning the equipment, always switch off the motor and remove the spark plug cap or the battery cartridge. Wait until the motor gets cold.
- To reduce the risk of fire, never service the equipment in the vicinity of fire.
- Always wear protective gloves when handling the saw chain.
- Always clean dust and dirt off the equipment. Never use gasoline, benzine, thinner, alcohol or the like for the purpose. Discoloration, deformation or cracks of the plastic components may result.
- After each use, tighten all screws and nuts, except for adjustment screws.
- Keep the saw chain sharp. If the saw chain has become blunt and cutting performance is poor, ask Makita authorized service center to sharpen it or replace it with new one.
- Do not attempt any maintenance or repair not described in this booklet or the instruction manual of the power unit. Ask Makita authorized service center for such work.
- Always use Makita genuine spare parts and accessories only. Using parts or accessories supplied by a third party may result in the equipment breakdown, property damage and/or serious injury.
- Request Makita authorized service center to inspect and maintain the equipment at regular interval.

### Storage

- Before storing the equipment, perform full cleaning and maintenance. Fit the guide bar cover. Remove the spark plug cap or the battery cartridge. Drain the fuel and chain oil after the engine gets cold.
- Store the equipment in a dry and high or locked location out of reach of children.
- Do not prop the equipment against something, such as a wall. Otherwise it may fall suddenly and cause an injury.

### First aid

-  Always have a first-aid kit close by. Immediately replace any item taken from the first aid kit.
- When asking for help, give the following information:
  - Place of the accident
  - What happened
  - Number of injured persons
  - Nature of the injury
  - Your name

## Assembly and adjustment

### WARNING:

- Before assembling or adjusting the equipment, switch off the engine and remove the spark plug cap or the battery cartridge. Otherwise the saw chain or other parts may move and result in serious injury.
- Before handling the saw chain or adjusting the chain tension, wear protective gloves. Otherwise the saw chain can cut bare hands severely.
- When assembling or adjusting the equipment, always put it down. Assembling or adjusting the equipment in an upright position may result in serious injury.
- Follow the warnings and precautions in the chapter "Safety precautions" and the instruction manual of the power unit.

### Assembling the attachment (Fig. 5)

Assemble the attachment as the following steps.

1. Loosen the screw **(A)** and **(B)**.
2. Insert the shaft into the gear case. Make sure that the pin **(D)** is on the upside. If it is difficult to fully insert it, turn the drive axle **(C)** manually.
3. Adjust the position of the hole on the shaft to the screw hole **(B)**.
4. Tighten the screw **(B)** first and then tighten the screw **(A)**.

## Mounting the attachment to a power unit (Fig. 6)

To mount the attachment to a power unit, follow the steps below.

1. Make sure that the lock lever (A) is not tightened.
2. Align the pin (B) with the arrow mark (C).
3. Insert the shaft into the drive shaft of the power unit until the release button (D) pops up.
4. Tighten the lock lever (A) firmly as shown.

To remove the attachment, loosen the lock lever, press the lock button and withdraw the shaft.

**NOTICE:** Do not tighten the lock lever (A) without the shaft of the attachment inserted. Otherwise the lock lever may tighten the entrance of the drive shaft too much and damage it.

## Assembling saw chain and guide bar

**CAUTION:** Make sure that the saw chain, guide bar and sprocket match each other in gauge and pitch.

Assemble the saw chain and guide bar as the following steps. (Fig. 7- 9)

1. Loosen the nut (A) and remove the bar holder (B).
2. Turn the tension screw (C) counterclockwise until the tensioning nut (D) touches the left end.

**NOTICE:** Do not turn the tension screw counterclockwise too much, otherwise the tension screw and the tensioning nut comes off from the housing.

3. Fit the saw chain (E) into the groove of guide bar (F). Start the procedure from the bar nose.
4. Align the position bolt (G) with the notch of the guide bar (H), and then fit the saw chain (E) onto the sprocket (I). Make sure that the saw chain is kept fitting along the guide bar during the procedure.
5. Install the guide bar (F) so that the tensioning nut (D) fits into the hole (J) on the guide bar. Holes (K) are not used.
6. Place the saw chain onto the groove of the guide bar properly. If the saw chain is not placed into the groove of the guide bar properly at this point, adjust and fit it appropriately.
7. Fit the bar holder (B) and tighten the nut (A) securely. Then loose the nut a half turn as a provision of the chain tension adjustment.
8. Adjust the chain tension. Refer to the section "Adjusting the chain tension."

**CAUTION:**

- Keep the applicable chain tension. Loose tension can cause the saw chain derail. (Fig. 10)

To remove the saw chain and guide bar, turn the tension screw (C) counterclockwise first.

Pull the saw chain outward to let the saw chain comes out from the groove of the guide bar, then remove them from the housing.

(Fig. 11)

## Adjusting the chain tension

**WARNING:**

- Before check or adjust the chain tension, switch off the motor and remove the spark plug cap or the battery cartridge.
- Before check or adjust the chain tension, wear protective gloves.

**CAUTION:**

- Keep the applicable chain tension. Loose tension can cause the saw chain to come off during operation. Too tight tension can damage the saw chain or guide bar.
- During operation, check the chain tension frequently. The saw chain stretches and becomes loose during operation. When use a new saw chain, adjust the tension more frequently. (Fig. 12)

Adjust the chain tension as the following steps.

1. Loose the nut (A) a half turn.
2. Hold the bar nose up. Turn the tensioning screw (B) clockwise until the saw chain fits the underside of the guide bar snugly.
3. Pull the saw chain along the guide bar by hand. If it is hard to move, turn the tensioning screw counterclockwise slightly and do the step 2 again.
4. Tighten the nut (A) securely.

## Filling the chain oil tank

The saw chain must be lubricated with chain oil during operation. Before operation, fill the chain oil tank. After supplying the oil, tighten the oil cap securely.

Use Makita genuine chain oil only.

**NOTICE:** Never use waste oil. It may damage the oil pump. During operation, always pay attention to the oil level. Refill the

tank if the oil level becomes low. The tank becomes empty in approximately 40 minutes of operation (depending on the setting of the chain lubrication).

## Adjusting the chain-oil feeding rate (Fig. 13 & 14)

The chain-oil feeding rate is adjustable in three steps. According to the operation, for example cutting hard limbs, adjust the feeding rate.

To adjust the chain-oil feeding rate, use a flat-bladed screwdriver. Push in the adjusting screw and turn it. To increase feeding rate, turn the adjusting screw counterclockwise (A). To reduce feeding rate, turn it clockwise (B).

After adjusting the chain-oil feeding rate, check the feeding rate by driving the equipment at medium speed.

## Inspection and maintenance

**WARNING:**

- Before inspecting or maintaining the equipment, switch off the motor and remove the spark plug cap or the battery cartridge. Otherwise saw chain or other parts may move and result in serious injury.
- Before handling or working around saw chain, wear protective gloves. Otherwise the saw chain can cut bare hands severely.
- When inspecting or maintaining the equipment, always put it down. Assembling or adjusting the equipment in an upright position may result in serious injury.
- Follow the warnings and precautions in the chapter "Safety precautions" and the instruction manual of the power unit.

## Cleaning the chain-oil feed port (Fig. 15)

Clean the chain-oil feed port (A) daily. To access it, remove the bar holder and guide bar.

## Cleaning and inspecting the guide bar (Fig. 16)

Clean the guide bar daily. Remove saw dust from the groove (A) and chain-oil feed port (B).

To avoid one side wear of the guide bar, turn it over every time you replace or sharpen the saw chain.

If the groove is worn, bent or deformed, replace the guide bar.

## Inspecting sprocket (Fig. 17)

Check the sprocket for wear every 50 hours of use. Replace it if the wear marks becomes 0.3 mm or deeper.

## Inspecting the saw chain

When you feel the saw chain is worn, deformed, cracked or you need more effort for the cutting, replace it or ask Makita authorized service center to sharpen it.

## Lubricating moving parts (Fig. 18)

**NOTICE:** Follow the instruction of the frequency and amount of grease supplied. Otherwise insufficient lubrication may damage moving parts.

Gear case:

Remove the grease plug (A) and fill lithium-base grease through the grease hole (B) every 25 hours of operation.

Drive axle:

Apply grease (Shell Alvania No. 2 or equivalent) every 25 hours of operation.

Guide bar nose:

Apply grease (Shell Alvania No. 2 or equivalent) from the grease hole (C) every 10 hours of operation.

## Overall inspection

- Tighten loose bolts, nuts and screws.
- Check for damaged parts. Ask Makita authorized service center to replace them.
- Check the bar holder. If there is crack or deformation, replace it.

## Storage

**WARNING:** Follow the warnings and precautions in the chapter "Safety precautions" and the instruction manual of the power unit.

When storing the pole saw attachment separated from the power unit, put the cap onto the end of the shaft. (Fig. 19)



## Maintenance schedule

Operating hour		Before Operation	Daily (10 h)	25 h	50 h	If required	Corresponding page
Whole unit	Visually inspect for damaged parts	○					8
All fixing screws and nuts	Tighten	○					8
Chain oil feed port	Clean		○				8
Guide bar	Clean the groove and the chain oil feed port		○				8
	Visually inspect		○				8
	Supply grease to the nose		○				8
Gear case	Supply grease			○			8
Drive axle	Supply grease			○			8
Sprocket	Visually inspect				○		8
Saw chain	Replace or ask for sharpening					○	8
Power unit	Refer to the instruction manual of the power unit						

## Troubleshooting

Problem	Probable cause	Solution
The motor does not start.	Refer to the instruction manual of the power unit.	
The motor stops soon after its start.		
The maximum speed is limited.		
The saw chain does not move. → <b>Stop the motor immediately!</b>	The guide bar is bent or damaged.	Replace the guide bar.
	A twig is caught by the saw chain.	Remove the foreign matter.
	The drive system does not work properly.	Ask Makita authorized service center to inspect and repair it.
The unit vibrates abnormally. → <b>Stop the motor immediately!</b>	The drive system does not work properly.	Ask Makita authorized service center to inspect and repair it.
The saw chain does not stop. → <b>Stop the motor immediately!</b>	The power unit does not work properly.	Refer to the instruction manual of the power unit.
Chain oil is not supplied.	The oil tank is empty.	Fill the oil tank with chain oil.
	The chain-oil feed port is dirty.	Clean the chain-oil feed port on the unit and guide bar.
	The adjusting screw of the chain-oil feed rate is improperly set.	Set the adjusting screw properly.

## Technical data

Model		EY401MP
Dimensions (L x W x H)	mm	1,166 x 74 x 105
Mass	kg	1.0
Guide bar length	mm	255 (10")
Saw chain		91VXL-39E
Chain gauge	inch	0.050"
Number of sprocket teeth		7
Chain oil		Makita genuine chain oil
Chain oil pump		Plunger pump (Self lubricating type)
Chain oil tank capacity	ml	120
Gear ratio (speed increasing)		0.94

## Avant-propos

Merci d'avoir acheté la tête élagueuse à perche Makita. Cette tête est conçue pour être montée sur le groupe moteur Makita mentionné dans ce manuel d'instructions.

Avant toute utilisation, veuillez lire ce mode d'emploi et le manuel d'instructions du groupe moteur. Ils vous permettront d'obtenir le meilleur de votre tête élagueuse à perche Makita.

Table des matières	Page
Avant-propos .....	10
Pictogrammes .....	10
Groupe moteur homologué.....	10
Description des pièces .....	11
Précautions de sécurité .....	11
Montage et réglage.....	13
Inspection et entretien .....	14
Entreposage .....	14
Programme d'entretien .....	15
Dépannage .....	15
Données techniques.....	15

## Pictogrammes

Les pictogrammes suivants sont apposés sur la tête et figurent dans ce manuel d'instructions. Comprenez bien ces définitions.



Lisez et suivez le manuel d'instructions.



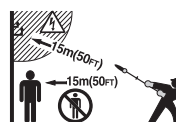
Faites particulièrement attention !



Casque de protection, protections oculaire et auditive obligatoires.



Portez des chaussures solides avec semelle antidérapante.



Maintenez une distance d'au moins 15 mètres (50 pieds) entre l'équipement et les personnes alentour et/ou une ligne électrique (y compris les branches touchant cette ligne). Il existe un risque d'électrocution et/ou de blessure.



Ne tenez jamais la tête élagueuse à un angle supérieur à 60°.



Huile à chaîne



Premiers soins

## Groupe moteur homologué

Cette tête est homologuée pour fonctionner uniquement avec le(s) groupe(s) moteur suivant(s) :

**EX2650LH Outil Multi-Fonctions**  
**HXU01, HXU02, BUX360, BUX361, BUX362, UX360D,**  
**UX361D, UX362D**

**Moteur Multi-Fonctions Sans Fil**

**⚠ AVERTISSEMENT** : N'utilisez jamais la tête avec un groupe moteur non homologué. Une combinaison non homologuée peut entraîner des blessures graves.

## Description des pièces (Fig. 1)

Les numéros ci-dessous se rapportent à l'illustration

1. Axe
2. Carter d'engrenage
3. Bouchon du réservoir d'huile
4. Réservoir d'huile
5. Support de barre
6. Guide-chaîne
7. Chaîne
8. Protection du guide-chaîne

## Précautions de sécurité

**⚠ AVERTISSEMENT : Veuillez lire toutes les précautions de sécurité ainsi que les instructions contenues dans ce mode d'emploi et le manuel d'instructions du groupe moteur. L'ignorance des avertissements et des instructions comporte un risque d'électrocution, d'incendie et/ou de blessure grave.**

**Conservez-les pour les consulter ultérieurement.**

Les termes « tête élagueuse » et « équipement » dans les avertissements et les précautions font référence à la combinaison de la tête et du groupe moteur.  
Le terme « moteur » dans les avertissements et les précautions se rapporte au moteur ou au moteur électrique du groupe moteur.

### Utilisation normale

- Cette tête est conçue uniquement pour élaguer des branches et des branches maîtresses de moins de 15 cm de diamètre avec un groupe moteur homologué. N'utilisez jamais la tête à d'autres fins. Toute utilisation inadéquate de la tête peut entraîner des blessures graves.

### Précautions élémentaires

- Avant de démarrer la tête élagueuse, veuillez lire ce mode d'emploi et le manuel d'instructions du groupe moteur pour vous familiariser avec la manipulation de l'outil.
- Ne prêtez pas la tête à une personne ne maîtrisant pas suffisamment les têtes élagueuses ou ne sachant pas les manipuler.
- Lorsque vous prêtez la tête, joignez toujours ce manuel d'instructions.
- Ne laissez pas des enfants ou des personnes de moins de 18 ans utiliser la tête élagueuse. Tenez-les à l'écart de l'outil.
- Manipulez la tête élagueuse avec le maximum de soin et d'attention.
- N'utilisez jamais la tête élagueuse après avoir consommé de l'alcool ou des médicaments, ou encore si vous vous sentez fatigué ou malade.
- N'essayez jamais de modifier la tête.
- La réglementation nationale en vigueur pourrait restreindre l'utilisation de l'équipement.  
Respectez les réglementations de votre pays sur la manipulation des têtes élagueuses et des scies à chaîne.

### Équipement de protection personnel

- Portez un casque de sécurité, des lunettes et des gants de protection pour vous protéger des projections ou chutes d'objets. (Fig. 2)
- Portez une protection auditive comme un casque anti-bruit pour éviter toute perte d'audition.
- Portez une tenue et des chaussures adaptées, comme une combinaison et des chaussures solides avec semelle antidérapante. Ne portez ni vêtements amples ni bijoux. Des vêtements amples, des bijoux ou de longs cheveux peuvent se prendre dans les pièces mobiles.
- Lorsque vous manipulez la chaîne ou réglez la tension de la chaîne, portez des gants de protection. Vous pouvez vous blesser sérieusement en manipulant la chaîne à mains nues.

### Sécurité de la zone de travail

- **⚠ Danger :** Maintenez une distance d'au moins 15 mètres entre la tête élagueuse et les lignes électriques et câbles de télécommunication (y compris les branches qui les touchent.)

- Toucher ou approcher de lignes à haute tension avec la tête élagueuse peut entraîner la mort ou des blessures graves. Repérez les lignes et les clôtures électriques autour de la zone de travail avant de commencer à utiliser l'outil.
- N'utilisez la tête élagueuse qu'avec une bonne visibilité et en plein jour. N'utilisez pas la tête élagueuse dans l'obscurité ou le brouillard.
- Démarrez et faites tourner le moteur uniquement à l'extérieur dans un endroit bien aéré. Le fonctionnement du moteur dans un espace confiné ou mal aéré peut entraîner la mort par asphyxie ou par intoxication au monoxyde de carbone.
- Pendant l'utilisation, ne vous positionnez pas sur une surface instable ou glissante ou sur un sol en pente. En hiver, faites attention à la glace et à la neige et veillez toujours à maintenir votre équilibre.
- Pendant l'utilisation, tenez tout individu ou animal à au moins 15 m de la tête élagueuse. Coupez le moteur dès que quelqu'un s'approche.
- Avant l'utilisation, voyez s'il y a une clôture en fil de fer, des murs ou autres objets solides dans la zone de travail. Ils peuvent endommager la chaîne.
- **⚠ AVERTISSEMENT :** L'utilisation de ce produit peut lever une poussière contenant des produits chimiques susceptibles d'entraîner des troubles respiratoires ou d'autres maladies. Parmi ces produits chimiques, on trouve des composants de pesticides, insecticides, engrais et herbicides. Les risques varient en fonction de la fréquence à laquelle vous utilisez l'outil. Pour réduire les risques liés à l'exposition à ces produits chimiques : travaillez dans un espace bien aéré et portez des dispositifs de sécurité homologués, tels que des masques antipoussières spécialement conçus pour filtrer les particules microscopiques.


### Utilisation de l'appareil

- Avant d'assembler ou de régler l'équipement, coupez le moteur et retirez le capuchon de la bougie d'allumage ou la batterie.
- Avant de manipuler la chaîne ou régler la tension de la chaîne, portez des gants de protection.
- Avant de démarrer le moteur, inspectez l'équipement pour détecter d'éventuels dommages, des vis/écrous desserré(e)s ou un montage incorrect. Affûtez une chaîne émoussée. Si la chaîne est tordue ou endommagée, remplacez-la. Vérifiez le bon fonctionnement de tous les leviers et commutateurs de commande. Nettoyez et séchez les poignées.
- N'essayez jamais de démarrer le moteur si l'équipement est endommagé ou pas entièrement assemblé. Vous risqueriez de vous blesser grièvement.
- Ajustez le harnais et la poignée à votre taille.
- Ajustez correctement la tension de la chaîne. Rajoutez de l'huile à chaîne, si nécessaire.

### Démarrage du moteur

- Mettez l'équipement personnel de protection avant de démarrer le moteur.
- Démarrez le moteur à au moins 3 mètres (10 pieds) du lieu de remplissage du carburant.
- Avant de démarrer le moteur, veillez à ce qu'il n'y ait aucun individu ni animal dans la zone de travail.
- Lorsque vous démarrez le moteur ou placez la batterie, éloignez la chaîne et le guide-chaîne de votre corps et d'autres objets, y compris du sol. La chaîne peut se mettre en mouvement dès le démarrage et occasionner de graves blessures, être endommagée et/ou provoquer des dégâts matériels.
- Placez l'équipement sur un sol dur. Veillez à ne pas perdre l'équilibre.
- Lorsque vous tirez la poignée de démarrage, maintenez fermement le groupe moteur contre le sol avec la main gauche. Ne marchez pas sur l'arbre d'entraînement du groupe moteur. (Fig. 3)
- Suivez le manuel d'instructions du groupe moteur pour le démarrage du moteur.
- Vérifiez qu'il y a une nette différence entre le ralenti et une vitesse afin de vous assurer que la tête est à l'arrêt lorsque le moteur tourne au ralenti (si nécessaire, réduisez le ralenti).
- Si la chaîne est au ralenti, coupez le moteur et abaissez la vitesse de ralenti.

## Fonctionnement

- En cas d'urgence, coupez immédiatement le moteur.
- Si vous percevez quoi que ce soit d'anormal (bruit, vibrations, etc.) en cours d'utilisation, coupez le moteur. N'utilisez plus l'équipement avant d'avoir trouvé et résolu le problème.
- La chaîne continue à tourner un bref instant après que vous avez relâché la commande d'accélérateur ou coupé le moteur. Ne vous précipitez pas pour toucher la chaîne.
- Lorsque le moteur tourne uniquement au ralenti, fixez le harnais.
- Pendant la manipulation de l'équipement, utilisez le harnais. Maintenez fermement l'équipement sur le côté droit. (Fig. 4)
- Saisissez la poignée avant avec la main gauche et la poignée arrière avec la main droite, peu importe que vous soyez droitier ou gaucher. Enserrez bien les poignées avec les doigts.
- N'essayez jamais de faire fonctionner l'équipement avec une seule main. Si vous en perdez le contrôle, vous risquez de vous blesser ou de trouver la mort. Pour limiter tout risque de blessure, éloignez les mains et les pieds des lames.
- Ne visez pas trop haut. Maintenez en permanence un équilibre stable. Faites attention aux obstacles cachés tels que les souches d'arbres, les racines et les fossés, afin de ne pas trébucher. Retirez les branches tombées et autres objets.
- Ne vous positionnez jamais sur une échelle ou dans un arbre afin de ne pas perdre le contrôle.
- Si l'équipement tombe ou heurte violemment une surface, vérifiez son état avant de poursuivre l'utilisation. Recherchez une éventuelle fuite du système d'alimentation et un éventuel dysfonctionnement des dispositifs de commande et de sécurité. En cas de dommage avéré ou suspecté, adressez-vous à un centre de services agréé Makita pour une inspection et une réparation.
- Ne touchez pas le carter d'engrenage. Il devient chaud pendant le fonctionnement.
- Faites des pauses afin de ne pas perdre le contrôle à cause de la fatigue. Nous vous recommandons de vous reposer 10 à 20 minutes toutes les heures.
- Lorsque vous laissez l'équipement, même un court instant, coupez toujours le moteur ou retirez la batterie. Un équipement laissé sans surveillance avec le moteur allumé peut être utilisé par n'importe qui et occasionner un grave accident.
- Suivez le manuel d'instructions du groupe moteur pour une utilisation correcte du levier et du commutateur de commande.
- Faites attention à l'environnement. Évitez tout fonctionnement inutile du papillon des gaz afin de limiter la pollution et les nuisances sonores. Réglez correctement le carburateur.
- Pendant ou après l'utilisation, ne posez pas l'équipement sur des herbes sèches ou des matières combustibles.
- N'élevez pas votre main droite au-dessus de la hauteur de votre épaule.
- Pendant l'utilisation, veillez à ce que la chaîne ne heurte pas d'obstacles durs tels que des pierres et des clous. Faites particulièrement attention lorsque vous coupez des branches à proximité de murs, clôtures en fil de fer ou autres structures semblables.
- Si des branches se prennent dans la tête élagueuse, coupez toujours le moteur et retirez le capuchon de la bougie d'allumage ou la batterie. Sinon, un démarrage accidentel peut entraîner des blessures graves.
- Si la chaîne s'encrasse, coupez toujours le moteur et retirez le capuchon de la bougie d'allumage ou la batterie avant tout nettoyage.
- Si vous accélérez le moteur alors que la chaîne est bloquée, vous augmentez la charge et risquez d'endommager le moteur et/ou l'embrayage.
- Avant de couper des branches maîtresses, dégagez une zone pour la chute des branches. Tout d'abord, ôtez toutes les branches de la zone de travail. Puis retirez tous les outils et objets de la zone de chute des branches pour les mettre en lieu sûr.
- Avant de couper des branches, vérifiez le sens de leur chute, en tenant compte de l'état des branches, des arbres à proximité, du sens du vent, etc. Soyez très attentif au sens de la chute et au mouvement de rebond de la branche lorsqu'elle heurte le sol.
-  Ne tenez jamais la tête élagueuse à un angle supérieur à 60°. Sinon vous pourriez subir des chutes d'objets et être grièvement blessé. Ne restez jamais sous la branche que vous coupez.

- Faites attention aux branches cassées ou tordues. Elles peuvent revenir brusquement vers vous pendant la coupe, occasionnant une blessure malencontreuse.
- Avant de couper des branches maîtresses, retirez les branches et les feuilles qu'elles portent. Sinon la chaîne pourrait s'y agripper.
- Pour éviter que la chaîne ne reste coincée dans le trait d'abattage, retirez-la du trait avant de relâcher la commande d'accélérateur.
- Si la chaîne est coincée dans le trait d'abattage, coupez immédiatement le moteur, bougez délicatement la branche pour élargir le trait puis libérez la chaîne.
- Évitez le rebond (mouvement de rotation vers l'opérateur). Pour éviter ce rebond, n'utilisez jamais l'extrémité du guide-chaîne ou n'effectuez pas de coupe forcée. Faites toujours attention à la position de l'extrémité du guide-chaîne.
- Vérifiez souvent la tension de la chaîne. Lorsque vous vérifiez ou ajustez la tension de la chaîne, coupez le moteur et retirez le capuchon de la bougie d'allumage ou la batterie. Si la chaîne est lâche, resserrez-la.

## Vibrations

- Des détériorations au niveau des vaisseaux sanguins ou du système nerveux peuvent se produire chez des personnes souffrant de troubles circulatoires et trop souvent soumises à des vibrations. Les symptômes pouvant apparaître à la suite de vibrations au niveau des doigts, des mains ou des articulations sont les suivants : engourdissement des membres, chatouillements, douleurs, points et altération de la peau (notamment, le changement de couleur). Si ces symptômes apparaissent, consultez un médecin.
- Pour éviter le phénomène du « doigt mort », assurez-vous de garder vos mains au chaud durant l'utilisation de l'outil et de préserver le bon état de l'outil et de ses accessoires.

## Transport

- Avant de transporter l'équipement, coupez le moteur et retirez le capuchon de la bougie d'allumage ou la batterie. Fixez toujours la protection du guide-chaîne pendant le transport.
- Transportez l'équipement à l'horizontale en le tenant par l'axe. Éloignez le silencieux chaud de votre corps.
- Lorsque vous transportez l'équipement dans un véhicule, fixez-le solidement pour qu'il ne tombe pas. Dans le cas contraire, l'essence pourrait se renverser et endommager l'équipement et autres bagages.


## Entretien

- Faites réparer votre équipement par nos centres de services agréés, qui n'utilisent que des pièces de rechange d'origine. Des réparations mal exécutées et un mauvais entretien peuvent réduire la durée utile de l'équipement et accroître les risques d'accident.
- Avant tout entretien, réparation ou nettoyage, coupez toujours le moteur et retirez le capuchon de la bougie d'allumage ou la batterie. Laissez le moteur refroidir.
- Pour limiter le risque d'incendie, ne réparez jamais l'équipement à proximité d'un feu.
- Portez toujours des gants de protection lorsque vous manipulez la chaîne.
- Ôtez la poussière et les saletés de l'équipement. N'utilisez jamais d'essence, de benzine, de solvant, d'alcool ou tout autre produit similaire pour cela. Cela pourrait décolorer, déformer ou craqueler les composants en plastique.
- Après chaque utilisation, serrez toutes les vis et les écrous, sauf les vis de réglage.
- Maintenez l'affûtage de la chaîne. Si la chaîne s'émousse ou que la coupe devienne difficile, adressez-vous à un centre de services agréé Makita pour un affûtage ou un remplacement.
- Ne tentez jamais un entretien ou une réparation qui ne figure pas dans ce mode d'emploi ou le manuel d'instructions du groupe moteur. Adressez-vous à un centre de services agréé Makita pour cela.
- Utilisez exclusivement des pièces de rechange et accessoires Makita d'origine. L'utilisation de pièces de rechange et accessoires d'un fabricant tiers peut entraîner une panne de l'équipement, des dégâts matériels et/ou des blessures graves.
- Adressez-vous à un centre de services agréé Makita pour une inspection et un entretien de l'équipement à intervalles réguliers.

## Entreposage

- Avant d'entreposer l'équipement, procédez à un nettoyage et un entretien complets. Fixez la protection du guide-chaîne. Retirez le capuchon de la bougie d'allumage ou la batterie. Vidangez l'essence et l'huile à chaîne une fois le moteur refroidi.
- Entrez l'équipement dans un endroit sec et en hauteur ou dans une pièce fermée à clé, hors de portée des enfants.
- N'appuyez pas l'équipement contre quelque chose, comme un mur. Il pourrait tomber soudainement et provoquer des blessures.

## Premiers soins

-  Vous devez toujours avoir une trousse de premiers soins à portée de main. Remplacez sans délai tout article utilisé dans la trousse de premiers soins.
- Si vous contactez les secours, veuillez indiquer :
  - le lieu de l'accident ;
  - les conditions de l'accident ;
  - le nombre de personnes blessées ;
  - la nature des blessures ;
  - votre nom.

## Montage et réglage

### AVERTISSEMENT :

- Avant d'assembler ou de régler l'équipement, coupez le moteur et retirez le capuchon de la bougie d'allumage ou la batterie. Sinon, la chaîne ou d'autres pièces pourraient se mettre en mouvement et occasionner de graves blessures.
- Avant de manipuler la chaîne ou régler la tension de la chaîne, portez des gants de protection. Sinon, vous pouvez vous blesser sérieusement en manipulant la chaîne à mains nues.
- Lorsque vous assemblez ou réglez l'équipement, posez-le toujours sur le sol. Le montage ou le réglage de l'équipement en position verticale peut entraîner de graves blessures.
- Respectez les avertissements et précautions figurant dans le chapitre « Précautions de sécurité » et le manuel d'instructions du groupe moteur.

### Montage de la tête (Fig. 5)

Montez la tête de la façon suivante.

1. Desserrez la vis (A) et (B).
2. Insérez l'axe dans le carter d'engrenage. Veillez à ce que la broche (D) soit orientée vers le haut. Si vous avez du mal à l'insérer à fond, faites pivoter manuellement l'arbre d'entraînement (C).
3. Alignez l'orifice de l'axe et celui de la vis (B).
4. Serrez d'abord la vis (B) puis la vis (A).

### Montage de la tête sur un groupe moteur (Fig. 6)


Pour monter la tête sur un groupe moteur, suivez les étapes ci-dessous.

1. Veillez à ce que le levier de verrouillage (A) soit desserré.
2. Alignez la broche (B) avec la flèche (C).
3. Insérez l'axe dans l'arbre d'entraînement du groupe moteur jusqu'à ce que le bouton de déverrouillage (D) sorte.
4. Serrez à fond le levier de verrouillage (A) comme illustré.

Pour retirer la tête, desserrez le levier de verrouillage, appuyez sur le bouton de verrouillage et tirez l'axe.

**AVIS :** Ne serrez pas le levier de verrouillage (A) sans que l'axe de la tête ne soit inséré. Sinon, le levier de verrouillage pourrait trop serrer l'entrée de l'arbre d'entraînement et l'endommager.

### Montage de la chaîne et du guide-chaîne

 **ATTENTION :** Assurez-vous que la chaîne, le guide-chaîne et la roue dentée ont un calibre et un pas semblables.

Montez la chaîne et le guide-chaîne de la façon suivante. (Fig. 7- 9)

1. Desserrez l'écrou (A) et retirez le support de barre (B).
2. Tournez la vis de tension (C) dans le sens inverse des aiguilles d'une montre jusqu'à ce que l'écrou de tension (D) atteigne l'extrémité gauche.

**AVIS :** Ne tournez pas excessivement la vis de tension dans le sens inverse des aiguilles d'une montre, sinon, la vis de tension et l'écrou de tension peuvent se détacher du boîtier.

3. Faites passer la chaîne (E) dans la rainure du guide-chaîne (F). Commencez la procédure par l'extrémité du guide-chaîne.
4. Alignez le boulon de positionnement (G) sur l'encoche du guide-chaîne (H), puis faites passer la chaîne (E) sur la roue dentée (I). Assurez-vous que la chaîne reste sur le guide-chaîne durant la procédure.
5. Fixez le guide-chaîne (F) de sorte que l'écrou de tension (D) s'insère dans l'orifice (J) du guide-chaîne. Les orifices (K) ne sont pas utilisés.
6. Placez la chaîne correctement sur la rainure du guide-chaîne. Si la chaîne n'est pas correctement placée dans la rainure du guide-chaîne à ce stade, ajustez-la pour qu'elle soit bien positionnée.
7. Fixez le support de barre (B) et serrez fermement l'écrou (A). Desserrez ensuite l'écrou d'un demi-tour pour donner à la chaîne la tension adéquate.
8. Ajustez la tension de la chaîne. Reportez-vous à la section « Réglage de la tension de la chaîne ».

### **ATTENTION :**

- Maintenez la tension de la chaîne qui convient. Une tension insuffisante peut faire dérailler la chaîne. (Fig. 10)

Pour retirer la chaîne et le guide-chaîne, tournez d'abord la vis de tension (C) dans le sens inverse des aiguilles d'une montre.

Tirez la chaîne vers l'extérieur pour la faire sortir de la rainure du guide-chaîne, puis sortez-la du boîtier. (Fig. 11)

### Réglage de la tension de la chaîne

#### **AVERTISSEMENT :**

- Avant de vérifier ou d'ajuster la tension de la chaîne, coupez le moteur et retirez le capuchon de la bougie d'allumage ou la batterie.
- Avant de vérifier ou d'ajuster la tension de la chaîne, portez des gants de protection.

#### **ATTENTION :**

- Maintenez la tension de la chaîne qui convient. Une tension insuffisante peut entraîner le détachement de la chaîne en cours de fonctionnement. Une tension excessive peut endommager la chaîne ou le guide-chaîne.
- Vérifiez souvent la tension de la chaîne en cours de fonctionnement. En cours de fonctionnement, la chaîne s'étire puis se relâche. Lorsque vous utilisez une chaîne neuve, réglez la tension plus fréquemment. (Fig. 12)

Réglez la tension de la chaîne de la façon suivante.

1. Desserrez l'écrou (A) d'un demi-tour.
2. Relevez l'extrémité du guide-chaîne. Tournez la vis de tension (B) dans le sens horaire jusqu'à ce que la chaîne s'ajuste parfaitement sous le guide-chaîne.
3. Tirez à la main la chaîne et le guide-chaîne. Si cela se révèle difficile, tournez légèrement la vis de tension dans le sens antihoraire et recommencez l'étape 2.
4. Serrez fermement l'écrou (A).

### Remplissage du réservoir d'huile à chaîne

La chaîne doit être lubrifiée avec de l'huile à chaîne pendant le fonctionnement.

Remplissez le réservoir d'huile à chaîne avant toute utilisation.

Ensuite, serrez fermement le bouchon du réservoir d'huile.

Utilisez seulement de l'huile à chaîne Makita d'origine.

**AVIS :** N'utilisez jamais d'huile usagée. Cela pourrait endommager la pompe à huile.

Pendant l'utilisation, soyez toujours attentif au niveau d'huile.

Rajoutez-en dans le réservoir dès que le niveau baisse. Le réservoir se vide au bout d'environ 40 minutes d'utilisation (selon le niveau de lubrification de la chaîne).

### Réglage de l'alimentation en huile à chaîne (Fig. 13 et 14)

L'alimentation en huile à chaîne est réglable en trois étapes. Réglez le seuil d'alimentation en fonction de votre utilisation, par exemple la coupe de branches maîtresses dures.

Pour régler l'alimentation en huile à chaîne, utilisez un tournevis plat. Enfoncez la vis de réglage et tournez-la. Pour augmenter le seuil d'alimentation, tournez la vis de réglage dans le sens inverse des aiguilles d'une montre (A). Pour réduire le seuil d'alimentation, tournez-la dans le sens des aiguilles d'une montre (B).

Une fois l'alimentation en huile à chaîne réglée, vérifiez le seuil d'alimentation en utilisant l'équipement à vitesse moyenne.

## Inspection et entretien

### **AVERTISSEMENT :**

- Avant d'inspecter ou d'entretenir l'équipement, coupez le moteur et retirez le capuchon de la bougie d'allumage ou la batterie. Sinon, la chaîne ou d'autres pièces pourraient se mettre en mouvement et occasionner de graves blessures.
- Avant de manipuler la chaîne, portez des gants de protection. Sinon, vous pouvez vous blesser sérieusement en manipulant la chaîne à mains nues.
- Lorsque vous inspectez ou entretenez l'équipement, posez-le toujours sur le sol. Le montage ou le réglage de l'équipement en position verticale peut entraîner de graves blessures.
- Respectez les avertissements et précautions figurant dans le chapitre « Précautions de sécurité » et le manuel d'instructions du groupe moteur.

### **Nettoyage de l'orifice d'alimentation en huile à chaîne (Fig. 15)**

Nettoyez quotidiennement l'orifice d'alimentation en huile à chaîne (A). Pour y accéder, retirez le support de barre et le guide-chaîne.

### **Nettoyage et inspection du guide-chaîne (Fig. 16)**

Nettoyez quotidiennement le guide-chaîne. Ôtez toute la sciure de la rainure (A) et de l'orifice d'alimentation en huile à chaîne (B). Pour éviter l'usure du guide-chaîne d'un seul côté, retournez-le chaque fois que vous remplacez ou affûtez la chaîne. Si la rainure est usée, tordue ou déformée, remplacez le guide-chaîne.

### **Inspection de la roue dentée (Fig. 17)**

Vérifiez l'usure de la roue dentée toutes les 50 heures d'utilisation. Remplacez-la si la trace d'usure est de 0,3 mm ou davantage.

### **Inspection de la chaîne**

Si vous avez l'impression que la chaîne est usée, déformée, fissurée ou si vous devez forcer pour la coupe, remplacez-la ou adressez-vous à un centre de services agréé Makita pour un affûtage.

### **Lubrification des pièces mobiles (Fig. 18)**

**AVIS :** Respectez les instructions fournies sur la fréquence et la quantité de graisse. Sinon, une lubrification insuffisante peut endommager les pièces mobiles.

Carter d'engrenage :

Retirez le bouchon de graissage (A) et versez de la graisse au lithium par l'orifice de graissage (B) toutes les 25 heures d'utilisation.

Arbre d'entraînement :

Appliquez de la graisse (Shell Alvania N 2 ou équivalent) toutes les 25 heures d'utilisation.


Extrémité du guide-chaîne :

Appliquez de la graisse (Shell Alvania N 2 ou équivalent) par l'orifice de graissage (C) toutes les 10 heures d'utilisation.

### **Inspection générale**

- Serrez les boulons, écrous et vis desserrés.
- Vérifiez si des pièces sont endommagées. Adressez-vous à un centre de services agréé Makita pour les remplacer.
- Vérifiez le support de barre. S'il présente des fissures ou est déformé, remplacez-le.

## Entreposage

 **AVERTISSEMENT :** Respectez les avertissements et précautions figurant dans le chapitre « Précautions de sécurité » et le manuel d'instructions du groupe moteur.

Lorsque vous entreposez la tête élagueuse à perche dépourvue de son groupe moteur, placez le cache à l'extrémité de l'axe. (Fig. 19)

## Programme d'entretien

Heures d'utilisation		Avant utilisation	Quotidiennement (10 h)	25 h	50 h	Au besoin	Page correspondante
Appareil tout entier	Vérifier visuellement si des pièces sont endommagées	○					14
Tous les écrous et vis de fixation	Serrer	○					14
Orifice d'alimentation en huile à chaîne	Nettoyer		○				14
Guide-chaîne	Nettoyer la rainure et l'orifice d'alimentation en huile à chaîne		○				14
	Inspecter visuellement		○				14
	Graisser l'extrémité		○				14
Carter d'engrenage	Graisser			○			14
Arbre d'entraînement	Graisser			○			14
Roue dentée	Inspecter visuellement				○		14
Chaîne	Remplacer ou demander un affûtage					○	14
Groupe moteur	Voir le manuel d'instructions du groupe moteur						

## Dépannage

Problème	Cause probable	Solution
Le moteur ne démarre pas.	Voir le manuel d'instructions du groupe moteur.	
Le moteur s'arrête peu après le démarrage.		
La vitesse maximale est limitée.		
La chaîne ne bouge pas. → <b>Coupez le moteur immédiatement !</b>	Le guide-chaîne est tordu ou endommagé.	Remplacer le guide-chaîne.
	Une brindille est coincée dans la chaîne.	Retirer le corps étranger.
	Le système d'entraînement ne fonctionne pas correctement.	S'adresser à un centre de services agréé Makita pour une inspection et une réparation.
Le corps vibre de façon anormale. → <b>Coupez le moteur immédiatement !</b>	Le système d'entraînement ne fonctionne pas correctement.	S'adresser à un centre de services agréé Makita pour une inspection et une réparation.
La chaîne ne s'arrête pas. → <b>Coupez le moteur immédiatement !</b>	Le groupe moteur ne fonctionne pas correctement.	Voir le manuel d'instructions du groupe moteur.
Pas d'alimentation en huile à chaîne.	Le réservoir d'huile est vide.	Remplir le réservoir d'huile à chaîne.
	L'orifice d'alimentation en huile à chaîne est encrassé.	Nettoyer l'orifice d'alimentation en huile à chaîne sur le corps et le guide-chaîne.
	La vis de réglage d'alimentation en huile à chaîne est mal réglée.	Régler correctement la vis de réglage.

## Données techniques

Modèle		EY401MP
Dimensions (L x P x H)	pouce (mm)	1 166 x 74 x 105
Poids	lb (kg)	1,0
Longueur du guide-chaîne	pouce (mm)	255 (10")
Chaîne		91VXL-39E
Calibre de la chaîne	pouce	0,050"
Nombre de dents sur la roue		7
Huile à chaîne		Huile à chaîne Makita d'origine
Pompe à huile à chaîne		Pompe à plongeur (Type autolubrifiant)
Capacité du réservoir d'huile à chaîne	pouce cube (ml)	120
Rapport d'engrenage (rapport de multiplication)		0,94

**Prefacio**

Muchas gracias por la adquisición de su accesorio para sierra de extensión Makita. Este aditamento está diseñado para instalarse en el equipo motorizado Makita que se menciona en este manual de instrucciones.

Antes de usar, por favor lea este folleto, así como el manual de instrucciones del equipo motorizado. Esto le ayudará a obtener un óptimo resultado de su accesorio para sierra de extensión Makita.

<b>Índice</b>	<b>Página</b>
Prefacio .....	16
Símbolos .....	16
Equipo motorizado aprobado .....	16
Descripción de la pieza .....	17
Medidas de seguridad .....	17
Ensamble y ajuste .....	19
Inspección y mantenimiento .....	20
Almacenamiento .....	20
Programa de mantenimiento .....	21
Resolución de problemas .....	21
Información técnica .....	21

**Símbolos**

Los siguientes símbolos aparecen en el aditamento y en este manual de instrucciones. Asegúrese de entender su significado.



Lea y siga las indicaciones en el manual de instrucciones.



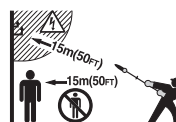
¡Tenga especial cuidado y atención!



Use casco protector, así como protección ocular y auditiva.



Use botas resistentes con suelas antiderrapantes.



Mantenga una distancia de al menos 15 m (50 pies) entre el equipo y las personas alrededor y/o cableado de electricidad (incluyendo cualquier rama que pudiera estar haciendo contacto con éste). Riesgo de descarga eléctrica y/o lesiones a la persona.



Nunca sostenga la sierra de extensión a un ángulo mayor de 60°.



Aceite de la cadena



Primeros auxilios

**Equipo motorizado aprobado**

Este aditamento está aprobado para ser utilizado sólo con el(los) siguiente(s) equipo(s) motorizado(s):

**EX2650LH Multifuncional**  
**HXU01, HXU02, BUX360, BUX361, BUX362, UX360D,**  
**UX361D, UX362D**

**Herramienta Multifuncional Inalámbrica**

**⚠ ADVERTENCIA:** Nunca use el aditamento con un equipo motorizado no aprobado. Una combinación no aprobada puede resultar en lesiones graves.



## Descripción de la pieza (Fig. 1)

Los números a continuación hacen referencia a la ilustración

1. Eje
2. Caja de cambios
3. Tapa del aceite
4. Tanque del aceite
5. Sujetador de la barra
6. Barra de guía
7. Cadena de la sierra
8. Cubierta de la barra de guía

## Medidas de seguridad

**⚠ ADVERTENCIA:** Lea todas las advertencias de seguridad, así como todas las instrucciones en ese folleto y en el manual de instrucciones del equipo motorizado. No seguir todas las advertencias e instrucciones que se presentan a continuación puede que resulte en descarga eléctrica, incendio y/o graves lesiones.

**Guarde todas las advertencias e instrucciones para referencia futura.**

Los términos “sierra de extensión” y “equipo” en las advertencias y precauciones hacen referencia a la combinación del aditamento y equipo motorizado.

El término “motor” en las advertencias y precauciones hace referencia al motor o motor eléctrico del equipo motorizado.

### Uso destinado

- Este aditamento está diseñado sólo con el propósito del podado de ramas con un diámetro menor a 15 cm en conjunto con un equipo motorizado aprobado. Nunca use el aditamento para otros propósitos. Puede que el uso inapropiado del aditamento resulte en graves lesiones.

### Precauciones generales

- Antes de arrancar la sierra de extensión, lea este folleto y el manual de instrucciones del equipo motorizado para familiarizarse con el manejo del equipo.
- No preste el aditamento a ninguna persona sin suficiente experiencia o conocimiento en el manejo de sierras de extensión.
- Al prestar el aditamento, incluya siempre este manual de instrucciones.
- No permita que los niños ni las personas menores de 18 años usen la sierra de extensión. Manténgalos alejados de la sierra de extensión.
- Use la sierra de extensión con máxima precaución y atención.
- Nunca use la sierra de extensión después de haber consumido bebidas con alcohol, drogas, fármacos, o si se siente cansado o enfermo.
- Nunca intente hacer alteraciones en el aditamento.
- Puede que las regulaciones del país restrinjan el uso de este equipo.  
Siga las regulaciones de su país sobre el manejo de sierras de extensión y sierras de cadena / motosierras.

### Equipo protector personal

- Use casco de seguridad, así como gafas y guantes de protección para protegerse a sí mismo de residuos que salgan arrojados u objetos que caigan. (Fig. 2)
- Use protección para los oídos, como orejeras, para prevenir la pérdida auditiva.
- Use vestimenta y calzado apropiados para una operación segura, como overol de trabajo y zapato resistente con suela antiderrapante. No use ropa holgada ni joyas o alhajas. La ropa suelta, al igual que las alhajas y el cabello largo, pueden engancharse en las partes móviles.
- Use guantes protectores al manipular la cadena de la sierra o al hacer ajustes en la tensión de la misma. La cadena de la sierra puede ocasionar graves cortaduras a las manos expuestas.

## Seguridad en el área de trabajo

- **⚠ Peligro:** Mantenga la sierra de extensión al menos 15 m de distancia del cableado para la electricidad y las comunicaciones (incluyendo cualquier rama que haga contacto con éste). El contacto o acercamiento a las líneas de alto voltaje con la de extensión puede resultar en graves lesiones o incluso la muerte. Antes de iniciar la operación, inspeccione el área de trabajo para ver si hay cableado y cercos eléctricos alrededor.
- Opere la sierra de extensión sólo bajo entornos con visibilidad e iluminación diurna adecuadas. No use la sierra de extensión en lugares oscuros o con neblina.
- Arranque y opere el motor sólo en lugares en el exterior que cuenten con buena ventilación. La operación en un lugar confinado con ventilación insuficiente puede resultar en muerte por sofocación (ahogamiento) o intoxicación con monóxido de carbono.
- Durante la operación, nunca se pare sobre una superficie que sea inestable, resbalosa o inclinada. Durante época invernal, esté atento del hielo y la nieve, y asegúrese de pisar el suelo con estabilidad y firmeza.
- Durante la operación, mantenga a las personas alrededor, así como a las mascotas, a 15 m de distancia de la sierra de extensión. Pare el motor tan pronto alguien se aproxime.
- Antes de la operación, inspeccione el área de trabajo para ver si hay cercos de alambre, paredes y otros objetos sólidos. Esto podrá dañar la cadena de la sierra.
- **⚠ ADVERTENCIA:** El uso de este producto puede generar polvo que contenga sustancias químicas que pueden causar enfermedades respiratorias, entre otros males. Algunos ejemplos de estos químicos son los compuestos que se encuentran en los pesticidas, insecticidas, fertilizantes y herbicidas. El riesgo al que se expone variará, dependiendo de la frecuencia con la que realice este tipo de trabajo. Para reducir la exposición a estos productos químicos: trabaje en un área bien ventilada, y póngase el equipo de seguridad indicado, tal como las máscaras contra el polvo que están especialmente diseñadas para filtrar partículas microscópicas.

### Activación del equipo

- Antes de ensamblar o hacer ajustes en el equipo, apague el motor y quite la tapa de la bujía de encendido o el cartucho de la batería.
- Use guantes protectores al manipular la cadena de la sierra o al hacer ajustes en la tensión de la misma.
- Antes de arrancar el motor, inspeccione el equipo para ver si hay daños, tuercas y tornillos flojos o algún ensamblado incorrecto. Afíle la cadena de la sierra cuando haya perdido el filo. Reemplace la cadena de la sierra cuando se haya doblado o dañado. Compruebe que todas las palancas e interruptores puedan accionarse con facilidad. Limpie y seque los mangos.
- Nunca intente arrancar el motor si el equipo está dañado o no está completamente ensamblado. De lo contrario, esto puede que resulte en graves lesiones.
- Ajuste el arnés de la correa para hombro y la empuñadura de tal manera que ajuste al tamaño del cuerpo del operador.
- Ajuste la tensión de la cadena adecuadamente. Resuministre el aceite de la cadena de ser necesario.

### Arranque del motor

- Use el equipo de protección personal antes de arrancar el motor.
- Arranque el motor por lo menos a 3 metros (10 pies) de distancia del lugar de abastecimiento de combustible.
- Antes de arrancar el motor, asegúrese de que no haya personas ni animales en el área de trabajo.
- Cuando arranque el motor o coloque un cartucho de batería, mantenga la cadena de la sierra y la barra de guía alejadas de su cuerpo y de cualquier otro objeto, incluyendo el suelo. Puede que la cadena de la sierra se mueva al arrancar el motor y que cause graves lesiones o daños al equipo y/o a la propiedad.
- Coloque el equipo en suelo firme. Mantenga un buen equilibrio y pise firmemente el suelo.
- Al jalar la perilla del arrancador, sujete el equipo con firmeza contra el suelo con su mano izquierda. Nunca se pare sobre el eje de operación del equipo. (Fig. 3)
- Siga el manual de instrucciones del equipo motorizado para arrancar el motor.
- Revise que haya suficiente diferencia entre las velocidades en


estado pasivo y en estado de operación para asegurar que el aditamento se detenga por completo mientras el motor esté en estado pasivo (reduzca la velocidad en estado pasivo en caso de ser necesario).

- Si la cadena de la sierra se mueve durante el estado pasivo del motor en marcha, pare el motor y haga el ajuste para bajar la velocidad en estado pasivo del motor.

## Operación

- En el evento de alguna emergencia, apague el motor de inmediato.
- Si percibe algo que le parezca extraño (p.ej. ruido o vibración inusuales) durante la operación, apague el motor. No use el equipo hasta que la causa se haya reconocido y resuelto.
- La cadena de la sierra continúa moviéndose durante un momento breve tras haber soltado el gatillo acelerador o apagado el motor. No se apresure en hacer contacto con la cadena de la sierra.
- Sólo con el equipo activo en estado pasivo del motor, coloque el arnés para la correa de hombro.
- Durante la operación, use el arnés para la correa de hombro. Mantenga firmemente el equipo sobre su costado derecho. (Fig. 4)
- Sostenga el mango delantero con la mano izquierda y el mango trasero con la mano derecha, independientemente de que usted sea diestro o siniestro. Sujete con sus manos los mangos de tal forma que los dedos enrolien el mango encontrándose con el pulgar.
- No intente nunca operar el equipo con una sola mano. Puede que haya pérdida del control resultando en lesiones graves o mortales. Para reducir el riesgo de lesiones, mantenga sus manos y pies alejados de las cuchillas.
- No se exceda al querer alcanzar algo. Mantenga los pies firmes y el equilibrio en todo momento. Esté al tanto de obstáculos ocultos como troncos aún enterrados de árboles cortados, raíces y zanjas para evitar tropezones. Despeje el área de trabajo de ramas caídas y otros objetos.
- Nunca trabaje estando sobre escaleras o árboles para evitar la pérdida del control.
- Si el equipo recibe un golpe fuerte o cae al suelo, revise su condición antes de continuar el trabajo. Revise el sistema de combustible para ver si hay fugas, así como los controles y dispositivos de seguridad en busca de fallas. Si hay cualquier daño o algo parece dudoso, solicite una inspección y servicio de reparación en un centro de servicio autorizado Makita.
- No toque la caja de cambios. La caja de cambios se calienta durante la operación.
- Tome un descanso para prevenir la pérdida del control debido al cansancio. Recomendamos tomar un descanso de 10 a 20 minutos por cada hora de trabajo.
- Siempre que vaya a no estar atendiendo el equipo, incluso durante un momento breve, apague el motor o quite el cartucho de la batería. Un equipo desatendido con el motor corriendo puede ser usado por una persona no autorizada y causar un grave accidente.
- Siga el manual de instrucciones del equipo motorizado para un uso correcto de la palanca de control y del interruptor.
- Tenga consideración con el entorno. Evite la operación innecesaria del acelerador para una menor emisión de contaminantes y ruido. Ajuste correctamente el carburador.
- Durante o tras la operación, no coloque el equipo caliente sobre césped seco ni sobre material que pudiese prender fuego.
- No sostenga su mano derecha por encima de la altura de su hombro.
- Durante la operación, no golpee nunca la cadena de la sierra contra obstáculos duros como piedras o clavos. Tenga particular atención al cortar ramas que estén contra paredes, cercos de alambre o similares.
- Si se atrapan las ramas en el aditamento, pare siempre el motor y quite la tapa de la bujía de encendido o el cartucho de batería. De lo contrario, puede que ocurran graves lesiones con el arranque accidental.
- Si la cadena de la sierra se congestiona, apague siempre el motor y quite la tapa de la bujía de encendido o el cartucho de la batería antes de eliminar la obstrucción.
- La aceleración del motor con la cadena de la sierra bloqueada incrementa la carga y dañará el motor y/o el embrague.
- Antes de cortar ramas, establezca una ruta de escape alejada

de la caída de la rama. Primero, retire los obstáculos del área de trabajo, como las ramas. Mueva todas las herramientas y otros artículos de la ruta de escape hacia otro lugar seguro.

- Antes de cortar ramas, compruebe la dirección de caída de éstas, considerando la condición de las ramas, los árboles contiguos, la dirección del viento, etc. Ponga total atención a la dirección de caída y al rebote de la rama que azota contra el suelo.
-  Nunca sostenga la sierra de extensión a un ángulo mayor de 60°. De lo contrario, los objetos que caigan podrán golpear al operador causando graves lesiones. Nunca se coloque debajo de la rama que está siendo cortada.
- Ponga atención a las ramas rotas o dobladas. Puede que éstas reboten enderezándose durante el corte, causando lesiones imprevistas.
- Antes de proceder con las ramas que pretende cortar, elimine las ramas y hojas alrededor. De lo contrario, puede que la sierra se enganche en ellas.
- Para prevenir que la sierra se enganche en la madera de las ramas, no suelte la palanca de aceleración sin antes retirar la sierra de ésta.
- Si la cadena de la sierra ha quedado atascada en la madera de las ramas, pare el motor de inmediato y con cuidado mueva la rama para liberar la sierra.
- Evite los retrocesos bruscos (fuerza reactiva rotacional hacia el operador). Para evitar los retrocesos bruscos, nunca use la boquilla de la barra de guía ni realice cortes profundos. Esté siempre al tanto de la posición de la boquilla de la barra de guía.
- Ajuste la tensión de la cadena con frecuencia. Al comprobar o hacer ajustes en la tensión de la cadena, apague el motor y quite la tapa de la bujía de encendido o el cartucho de la batería. Si la tensión se ha aflojado, apriéteala.

## Vibración

- Puede que las personas con deficiencia en su circulación sanguínea que estén expuestas a vibración excesiva sufran de lesiones en los vasos sanguíneos o el sistema nervioso. Puede que la vibración cause los siguientes síntomas generados en los dedos, manos o muñecas: Entumecimiento (adormecimiento de las partes del cuerpo), sensación de hormigueo, dolor y punción, así como alteraciones de la piel o del color de ésta. ¡Acuda a su médico si experimenta cualquiera de estos síntomas!
- Para reducir el riesgo de “enfermedad de dedeo blanco”, mantenga sus manos tibias durante la operación y dé un mantenimiento adecuado al equipo y los accesorios.

## Transporte

- Antes de ensamblar el equipo, apague el motor y quite la tapa de la bujía de encendido o el cartucho de la batería. Coloque siempre la cubierta de la barra de guía durante el transporte del equipo.
- Al transportar el equipo, cárguelo horizontalmente sujetándolo del eje. Mantenga el mofle que se encuentre caliente alejado de su cuerpo.
- Al estar transportando el equipo en un vehículo, fije la posición del equipo para evitar que se voltee. De lo contrario, puede que resulte en fugas de combustible, así como daños al equipo y a otros artículos.

## Mantenimiento


- Lleve su equipo a que le den servicio de mantenimiento en un centro autorizado de servicio, y siempre use piezas de repuesto originales. La reparación incorrecta y el mantenimiento deficiente pueden acortar la vida útil del equipo y aumentar el riesgo de accidentes.
- Antes de realizar cualquier servicio de reparación, mantenimiento o limpieza sobre el equipo, apague siempre el motor y quite la tapa de la bujía de encendido o el cartucho de la batería. Espere hasta que el motor se haya enfriado.
- Para reducir el riesgo de incendio, nunca realice servicios sobre el equipo en proximidad de las llamas de algún fuego.
- Use siempre guantes protectores al manipular la cadena de la sierra.
- Elimine siempre la tierra y el polvo del equipo. Para este propósito, nunca use gasolina, bencina, diluyentes (tíner), alcohol o alguna sustancia similar. Puede que esto resulte en decoloración, deformación y grietas de las piezas de plástico.
- Tras cada uso, apriete todos los tornillos y las tuercas, excepto los que se usan para el ajuste.

- Mantenga afilada la cadena de la sierra. Si la cadena de la sierra pierde el filo y el desempeño del corte es deficiente, solicite un servicio de afilado de la cadena de la sierra en un centro autorizado de Makita o reemplace la cadena con una nueva.
- Nunca intente realizar algún procedimiento de mantenimiento o reparación que no se encuentre descrito en este folleto o en el manual de instrucciones del equipo motorizado. Para tales procedimientos acuda a los centros de servicio autorizado de Makita.
- Use siempre piezas de repuesto y accesorios originales de Makita solamente. El uso de piezas o accesorios de otros fabricantes puede que resulte en averías del equipo, ocasionado daños al equipo y/o graves lesiones.
- Solicite de forma periódica a un centro de servicio autorizado de Makita que inspeccione y haga servicio de mantenimiento sobre el equipo.

## Almacenamiento

- Antes de almacenar el equipo, proceda con limpiarlo y hacer el mantenimiento de forma cabal. Coloque la cubierta de la barra de guía. Retire la tapa de la bujía de encendido o el cartucho de la batería. Drene el combustible y el aceite de la cadena después de que el motor se haya enfriado.
- Almacene el equipo en un lugar seco y elevado o bajo llave para que no esté al alcance de los niños.
- No recargue el equipo contra alguna pared o similar. De lo contrario, puede que repentinamente se caiga causando alguna lesión.

## Primeros auxilios

-  Tenga siempre a su alcance un juego de primeros auxilios. Reponga inmediatamente cualquier artículo que haya utilizado de su juego de primeros auxilios.
- Al pedir ayuda, proporcione la siguiente información:
  - Lugar del accidente
  - Lo sucedido
  - Número de personas lesionadas
  - Descripción de la lesión
  - Su nombre

## Ensamble y ajuste

### ADVERTENCIA:

- Antes de ensamblar o hacer ajustes en el equipo, apague el motor y quite la tapa de la bujía de encendido o el cartucho de la batería. De lo contrario, puede que la cadena de la sierra u otras piezas se muevan resultando en graves lesiones.
- Use guantes protectores al manipular la cadena de la sierra o al hacer ajustes en la tensión de la misma. De lo contrario, la cadena de la sierra puede ocasionar graves cortaduras a las manos expuestas.
- Recueste el equipo siempre que lo vaya a ensamblar o al hacer ajustes en éste. Tener el equipo erguido en posición vertical durante el ensamblado o el ajuste puede resultar en graves lesiones.
- Siga las advertencias y precauciones que se indican en el capítulo "Medidas de seguridad", así como en el manual de instrucciones del equipo motorizado.

## Ensamble del aditamento (Fig. 5)

Ensamble el aditamento como se indica a continuación.

1. Afloje los tornillos (A) y (B).
2. Inserte el eje en la caja de cambios. Asegúrese que la clavija (D) quede en el lado superior. Si resulta difícil insertar por completo, gire el eje de operación (C) con la mano.
3. Ajuste la posición del orificio en el eje con el orificio para el tornillo (B).
4. Apriete el tornillo (B) primero y luego apriete el tornillo (A).


## Instalación del aditamento al equipo motorizado (Fig. 6)

Para instalar el aditamento al equipo motorizado, siga los pasos que se indican a continuación.

1. Asegúrese de que la palanca de bloqueo (A) no se encuentre apretada.
2. Alinee la clavija (B) con la marca de la flecha (C).
3. Inserte el eje en el eje de operación del equipo motorizado hasta que el botón de liberación (D) emerja.
4. Apriete la palanca de bloqueo (A) con firmeza como se muestra. Para quitar el aditamento, afloje la palanca de bloqueo, presione el botón de bloqueo y extraiga el eje.

**AVISO:** No apriete la palanca de bloqueo (A) sin que el eje del aditamento se encuentre insertado. De lo contrario, puede que la palanca de bloqueo estreche el acceso del eje de operación demasiado y lo dañe.

## Ensamble de la cadena de la sierra y barra de guía

 **PRECAUCIÓN:** Asegúrese que la cadena de la sierra, la barra de guía y pieza dentada encajen entre sí en medida y posición.

Ensamble la cadena de la sierra y barra de guía como se indica a continuación. (Fig. 7-9)

1. Afloje la tuerca (A) y quite el sujetador de la barra (B).
2. Gire el tornillo tensor (C) en sentido contrario a las agujas del reloj hasta que la tuerca tensora (D) toque el extremo izquierdo.
- AVISO:** No gire demasiado el tornillo tensor en sentido contrario a las agujas del reloj, de lo contrario el tornillo tensor y la tuerca tensora se saldrán de la carcasa.
3. Embone la cadena de la sierra (E) en la ranura de la barra de guía (F). Inicie el procedimiento desde la boquilla de la barra de guía.
4. Alinee el perno de posicionamiento (G) con la muesca en la barra de guía (H), y luego encaje la cadena de la sierra (E) en la pieza dentada (I). Asegúrese de que la cadena de la sierra permanezca embonada a la barra de guía durante el procedimiento.
5. Instale la barra de guía (F) de tal forma que la tuerca tensora (D) encaje en el orificio (J) sobre la barra de guía. Los orificios (K) no se usan.
6. Coloque correctamente la cadena de la sierra en la ranura de la barra de guía. Si la cadena de la sierra no se coloca correctamente en la ranura de la barra de guía en este punto, ajuste para que quede correctamente colocada.
7. Encaje el sujetador de la barra (B) y apriete la tuerca (A) con firmeza. Luego afloje la tuerca medio giro a forma de provisión del ajuste de la tensión de la cadena.
8. Ajuste de la tensión de la cadena. Refiérase a la sección "Ajuste de la tensión de la cadena".

### PRECAUCIÓN:

- Mantenga una tensión adecuada en la cadena. Una tensión holgada puede causar que la cadena de la sierra se desencadene. (Fig. 10)

Para quitar la cadena de la sierra y la barra de guía, gire primero el tornillo tensor (C) en sentido contrario de las agujas del reloj.

Saque la cadena de la sierra para dejar que la cadena de la sierra salga de la ranura de la barra de guía y luego retire ambas cosas de la carcasa. (Fig. 11)

## Ajuste de la tensión de la cadena

### ADVERTENCIA:

- Antes de comprobar o hacer ajustes en la tensión de la cadena, apague el motor y quite la tapa de la bujía de encendido o el cartucho de la batería.
- Colóquese guantes protectores antes de comprobar o hacer ajustes de la tensión de la cadena.

### PRECAUCIÓN:

- Mantenga una tensión adecuada en la cadena. Una tensión holgada puede causar que la cadena de la sierra se salga durante la operación. Una tensión muy apretada puede dañar la cadena de la sierra o la barra de guía.
- Durante la operación, compruebe frecuentemente la tensión de la cadena. La cadena de la sierra se estira y afloja durante la operación. Al usar una nueva cadena de la sierra, ajuste la tensión con más frecuencia. (Fig. 12)

Ajuste la tensión de la cadena como se indica a continuación.

1. Afloje la tuerca **(A)** con un medio giro.
2. Sostenga hacia arriba la boquilla de la barra de guía. Gire el tornillo tensor **(B)** en sentido de las agujas del reloj hasta que la cadena de la sierra encaje ceñidamente por el lado inferior de la barra de guía.
3. Jale manualmente la cadena de la sierra junto con la barra de guía. Si se dificulta moverla, gire el tornillo tensor levemente en sentido contrario a las agujas del reloj y repita el paso 2.
4. Apriete la tuerca **(A)** con firmeza.

### Suministro del tanque del aceite de la cadena

La cadena de la sierra debe estar lubricada con el aceite para la cadena durante la operación.

Antes de la operación, suministre el aceite de la cadena al tanque. Tras el suministro del aceite, enrosque con firmeza la tapa del tanque del aceite.

Use aceite de la cadena auténtico de Makita solamente.

**AVISO:** Nunca use aceite de desecho (residual). Esto podría dañar la bomba del aceite.

Durante la operación, ponga siempre atención al nivel de aceite.

Reabastezca el tanque cuando el nivel de aceite sea bajo. El tanque se vacía en 40 minutos de operación aproximadamente (dependiendo del ajuste de la lubricación de la cadena).

### Ajuste de la tasa de aplicación de aceite de la cadena (Fig. 13 y 14)

La tasa de aplicación de aceite de la cadena es ajustable en tres pasos. De acuerdo a la operación, como al cortar ramas duras, es necesario ajustar la tasa de aplicación.

Para ajustar la tasa de aplicación de aceite de la cadena, use un destornillador de cabeza plana. Presione el tornillo de ajuste y gírelo. Para incrementar la tasa de aplicación, gire el tornillo de ajuste en sentido contrario a las agujas del reloj **(A)**. Para reducir la tasa de aplicación, gírelo en sentido de las agujas del reloj **(B)**.

Tras ajustar la tasa de aplicación de aceite de la cadena, compruebe la tasa de aplicación al operar el equipo a velocidad media.

## Inspección y mantenimiento

### ADVERTENCIA:

- Antes de inspeccionar o hacer mantenimiento en el equipo, apague el motor y quite la tapa de la bujía de encendido o el cartucho de la batería. De lo contrario, puede que la cadena de la sierra u otras piezas se muevan resultando en graves lesiones.
- Use guantes protectores antes de manipular o realizar algún trabajo sobre la cadena de la sierra. De lo contrario, la cadena de la sierra puede ocasionar graves cortaduras a las manos expuestas.
- Recueste el equipo siempre que lo vaya a ensamblar o al hacer ajustes en éste. Tener el equipo erguido en posición vertical durante el ensamblado o el ajuste puede resultar en graves lesiones.
- Siga las advertencias y precauciones que se indican en el capítulo "Medidas de seguridad", así como en el manual de instrucciones del equipo motorizado.

### Limpieza del puerto de aplicación de aceite de la cadena (Fig. 15)

Limpie el puerto de aplicación de aceite de la cadena **(A)** diariamente. Para accederlo, quite el sujetador de la barra junto con la barra de guía.

### Limpieza e inspección de la barra de guía (Fig. 16)

Limpie la barra de guía diariamente. Elimine el polvo de la ranura **(A)** y del puerto de aplicación de aceite de la cadena **(B)**.

Para evitar el desgaste de uno de los lados de la barra de guía, voltéela cada vez que la quite o que afile la cadena de la sierra. Si la ranura se ha desgastado, doblado o deformado, reemplace la barra de guía.

### Inspección de la pieza dentada (Fig. 17)

Verifique el desgaste de la pieza dentada por cada 50 horas de operación. Reemplácela si las marcas del desgaste alcanzan 0,3 mm o más de profundidad.

### Inspección de la cadena de la sierra

Cuando perciba que la cadena de la sierra se ha desgastado, deformado, agrietado o que requiere de mayor esfuerzo para cortar, reemplácela o solicite a un centro de servicio autorizado de Makita que la afilen.

### Lubricación de las piezas móviles (Fig. 18)

**AVISO:** Siga las indicaciones sobre frecuencia y cantidad de grasa a ser suministrada. De lo contrario, puede que una lubricación insuficiente ocasione daños en las piezas móviles.

Caja de cambios:

Quite el tapón de engrasado **(A)** y reabastezca de grasa con base de litio a través del orificio de engrasado **(B)** cada 25 horas de operación.

Eje de operación:

Aplique grasa (Shell Alvania No. 2 o equivalente) por cada 25 horas de operación.


Boquilla de la barra de guía:

Aplique grasa (Shell Alvania No. 2 o equivalente) desde el orificio de engrasado **(C)** por cada 10 horas de operación.

### Inspección general

- Apriete los pernos, tornillos y tuercas que estén sueltos.
- Revise si hay piezas dañadas. Acuda a los centros de servicio autorizado de Makita para piezas de repuesto.
- Revise el sujetador de la barra. Si hay alguna grieta o deformación, reemplácelo.

## Almacenamiento

 **ADVERTENCIA:** Siga las advertencias y precauciones que se indican en el capítulo "Medidas de seguridad", así como en el manual de instrucciones del equipo motorizado.

Al almacenar el accesorio para sierra de extensión por separado del equipo motorizado, coloque la tapa en el extremo del eje. (Fig. 19)

## Programa de mantenimiento

Horas de operación		Antes de la operación	Diario (10 h)	25 h	50 h	Cuando se requiera	Página correspondiente
Toda la unidad	Inspección visual de las piezas para detección de daños	○					20
Fijación de todas las tuercas y los tornillos	Apretar	○					20
Puerto de aplicación de aceite de la cadena	Limpiar		○				20
Barra de guía	Limpiar ranura y puerto de aplicación de aceite de la cadena		○				20
	Inspección visual		○				20
	Suministrar grasa a la boquilla		○				20
Caja de cambios	Suministrar grasa			○			20
Eje de operación	Suministrar grasa			○			20
Pieza dentada	Inspección visual				○		20
Cadena de la sierra	Reemplazar o solicitar servicio de afilado					○	20
Equipo motorizado	Consulte el manual de instrucciones del equipo motorizado						

## Resolución de problemas

Problema	Causa probable	Solución
El motor no arranca.	Consulte el manual de instrucciones del equipo motorizado.	
El motor se para al poco tiempo de arrancar.		
La velocidad máxima es limitada.		
La cadena de la sierra no se mueve. ➔ <b>¡Pare el motor de inmediato!</b>	La barra de guía se ha doblado o dañado.	Reemplace la barra de guía.
	Se ha enredado una ramilla en la cadena de la sierra.	Quite los residuos y materia ajena.
	El sistema de accionamiento no funciona correctamente.	Solicite un servicio de inspección y reparación en un centro de servicio autorizado de Makita.
El equipo vibra de forma anormal. ➔ <b>¡Pare el motor de inmediato!</b>	El sistema de accionamiento no funciona correctamente.	Solicite un servicio de inspección y reparación en un centro de servicio autorizado de Makita.
La cadena de la sierra no se detiene. ➔ <b>¡Pare el motor de inmediato!</b>	El equipo motorizado no funciona correctamente.	Consulte el manual de instrucciones del equipo motorizado.
No se aplica aceite a la cadena.	El tanque del aceite está vacío.	Resuministre el tanque del aceite para la cadena.
	El puerto de aplicación de aceite de la cadena se ha ensuciado.	Limpe el puerto de aplicación de aceite de la cadena en el equipo y la barra de guía.
	El tornillo de ajuste de la tasa de aplicación de aceite de la cadena no está bien ajustado.	Ajuste el tornillo de ajuste correctamente.

## Información técnica

Modelo	EY401MP	
Dimensiones (La x An x Al)	pulgada (mm)	1.166 x 74 x 105
Peso	lbs (kg)	1,0
Longitud de la barra de guía	pulgada (mm)	255 (10")
Cadena de la sierra	91VXL-39E	
Calibración de la cadena	pulgada	0,050"
Número de dientes de la pieza dentada	7	
Aceite de la cadena	Aceite de la cadena auténtico de Makita	
Bomba del aceite de la cadena	Bomba impelente (tipo autolubricante)	
Capacidad del tanque del aceite de la cadena	pulg.cúb. (ml)	120
Relación de cambios (velocidad en aumento)	0,94	

**Apresentação**

Obrigado por comprar o implemento podador da Makita. Este implemento foi projetado para ser montado na unidade motorizada Makita mencionada neste manual de instruções. Antes de usar, leia este livreto e o manual de instruções da unidade motorizada. Eles irão lhe ajudar a obter o melhor resultado possível de seu implemento podador da Makita.

Índice	Página
Apresentação .....	22
Símbolos .....	22
Unidade motorizada aprovada .....	22
Descrição da peça .....	23
Precauções de segurança .....	23
Montagem e ajuste .....	25
Inspeção e manutenção .....	26
Armazenamento .....	26
Programa de manutenção .....	27
Resolução de problemas .....	27
Dados técnicos .....	27

**Símbolos**

Os símbolos a seguir são usados no implemento e neste manual de instruções. Entenda essas definições.



Leia e siga o manual de instruções.



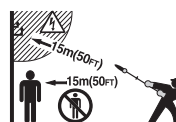
Tenha muito cuidado e preste atenção!



Use um capacete e proteção ocular e de ouvidos.



Usar botas resistentes com solas antiderrapantes.



Mantenha uma distância de pelo menos 15 metros (50 pés) entre o equipamento e os observadores e/ou linha elétrica (incluindo galhos que entrem em contato). Há risco de choque elétrico e/ou ferimento pessoal.



Nunca segure o podador em um ângulo superior a 60°.



Óleo de corrente



Primeiros socorros

**Unidade motorizada aprovada**

Este implemento é aprovado para uso somente com a(s) seguinte(s) unidade(s) motorizada(s):

**EX2650LH Multifuncional a Gasolina**  
**HXU01, HXU02, BUX360, BUX361, BUX362, UX360D,**  
**UX361D, UX362D**

**Ferramenta Multifuncional a Bateria**

**AVISO:** Nunca use o implemento com uma unidade motorizada não aprovada. A combinação não aprovada pode causar graves ferimentos.

## Descrição da peça (Fig. 1)

Os números abaixo se referem à figura

1. Eixo
2. Caixa de engrenagens
3. Tampa do óleo
4. Tanque de óleo
5. Suporte da barra
6. Barra guia
7. Corrente da serra
8. Cobertura da barra guia

## Precauções de segurança

**⚠️ AVISO:** Leia todos os avisos de segurança e todas as instruções neste livreto e no manual de instruções da unidade motorizada. A falha em seguir todos os avisos e instruções pode resultar em choque elétrico, incêndio e/ou ferimentos graves.

**Salve todos os avisos e instruções para referência futura.**

Os termos “podador” e “equipamento” nos avisos e precauções se referem à combinação de implemento e unidade motorizada. O termo “motor” nos avisos e precauções se refere ao mecanismo ou motor elétrico da unidade motorizada.

### Aplicação

- Este implemento foi projetado somente para o propósito de podar galhos e troncos com menos de 15 cm de diâmetro, em conjunto com uma unidade motorizada aprovada. Nunca use o implemento para outro propósito. Abusar do implemento pode causar ferimentos graves.

### Precauções gerais

- Antes de iniciar o podador, leia este livreto e o manual de instruções da unidade motorizada para se familiarizar com o manuseio do podador.
- Não empreste o implemento a uma pessoa com pouca experiência ou conhecimento sobre manuseio de podadores.
- Quando emprestar o implemento, anexe sempre este manual de instruções.
- Não permita que crianças ou jovens com menos de 18 anos utilizem o podador. Mantenha-os longe do podador.
- Manuseie o podador com o maior cuidado e atenção.
- Nunca utilize o podador após consumir álcool ou drogas, ou se estiver se sentindo cansado ou doente.
- Nunca tente modificar o implemento.
- Regulamentações nacionais podem restringir o uso do equipamento. Siga os regulamentos sobre manuseio de podadores e motosserras de seu país.

### Equipamentos de proteção pessoal

- Use capacete e óculos de segurança, além de luvas de proteção para proteger-se de fragmentos que voam ou objetos que caem. (Fig. 2)
- Use proteção auricular, como tampões de ouvido, para evitar a perda de audição.
- Use roupas e sapatos apropriados para a operação segura, tais como macacão de trabalho e sapatos resistentes e não derrapantes. Não use roupas largas ou joias. Roupas largas, joias e cabelos longos podem ficar presos nas peças rotativas.
- Quando manusear a corrente da serra ou ajustar a tensão da corrente, use luvas de proteção. A corrente da serra pode cortar gravemente mãos desnudas.

### Segurança da área de trabalho

- **⚠️ Perigo:** Mantenha o podador pelo menos 15 metros de distância de linhas elétricas e cabos de manutenção (incluindo galhos que entrem em contato). Tocar ou aproximar-se de linhas de alta voltagem com o podador pode resultar em morte ou ferimentos graves. Observe as linhas de energia e cercas elétricas ao redor da área de trabalho antes de iniciar a operação.

- Opere o podador com boa visibilidade e somente sob a luz do dia. Não opere o podador no escuro ou com neblina.
- Dê partida e opere o motor somente ao ar livre em uma área bem ventilada. A operação em uma área confinada ou mal ventilada pode resultar em morte devido à asfixia ou envenenamento por monóxido de carbono.
- Durante a operação, nunca fique de pé sobre uma superfície instável ou escorregadia ou em um declive muito íngreme. Durante a estação fria, cuidado com gelo e neve, e sempre assegure o posicionamento firme dos pés.
- Durante a operação, mantenha os observadores ou animais a pelo menos 15 metros de distância do podador. Pare o motor assim que alguém se aproximar.
- Antes da operação, examine a área de trabalho quanto a cercas de arame, paredes ou outros objetos sólidos. Elas podem danificar a corrente da serra.
- **⚠️ AVISO:** O uso deste produto pode criar poeira que contém químicos que podem causar doenças respiratórias ou outras. Alguns exemplos desses químicos são compostos encontrados em pesticidas, inseticidas, fertilizantes e herbicidas. O risco a esta exposição varia, dependendo da frequência com que executa este tipo de trabalho. Para reduzir a exposição a estes químicos: trabalhe em uma área bem ventilada e utilize equipamento de segurança adequado, como uma máscara para pó especialmente projetada para filtrar as partículas microscópicas.

### Colocação em funcionamento

- Antes de montar ou ajustar o equipamento, desligue o motor e remova a tampa da vela de ignição ou a bateria.
- Antes de manusear a corrente da serra ou ajustar a tensão da corrente, use luvas de proteção.
- Antes de dar partida ao motor, inspecione o equipamento quanto a danos, parafusos/porcas frouxas ou montagem incorreta. Afie a corrente de serra cega. Se a corrente da serra estiver torta ou danificada, faça a sua substituição. Verifique todas as chaves e alavancas de controle quanto ao fácil movimento. Limpe e seque bem as empunhaduras.
- Nunca tente dar partida ao motor se o equipamento estiver danificado ou não estiver totalmente montado. Caso contrário, isso pode provocar ferimentos graves.
- Ajuste o arnês de ombro e o punho para se adequar ao tamanho do corpo do operador.
- Ajuste corretamente a tensão da corrente. Reabasteça o óleo de corrente, se necessário.


### Partida do motor

- Use os equipamentos pessoais antes de dar partida ao motor.
- Dê partida ao motor pelo menos a 3 metros (10 pés) de distância do local de abastecimento.
- Antes de dar partida ao motor, certifique-se de que não há ninguém nem animal na área de trabalho.
- Quando der partida ao motor ou inserir uma bateria, mantenha a corrente da serra e a barra guia longe de seu corpo e de outro objeto, incluindo o chão. A corrente da serra pode se mover quando der partida e causar ferimentos graves ou danos à corrente da serra e/ou à propriedade.
- Coloque o equipamento sobre o chão firme. Mantenha um bom equilíbrio e posicionamento seguro dos pés.
- Quando puxar o manípulo de partida, segure firmemente a unidade motorizada contra o chão com sua mão esquerda. Nunca pise no eixo de acionamento da unidade motorizada. (Fig. 3)
- Siga o manual de instruções da unidade motorizada para dar partida ao motor.
- Verifique se há diferença suficiente entre a marcha lenta e a velocidade de acoplamento para assegurar que o implemento se encontra paralisado enquanto o motor está em marcha lenta (se necessário reduza a velocidade de marcha lenta).
- Se a corrente da serra se mover quando inativa, pare o motor e ajuste para baixo a velocidade de marcha lenta.

### Operação

- Em caso de emergência, desligue imediatamente o motor.
- Se perceber uma condição incomum (p. ex. ruído, vibração) durante a operação, desligue o motor. Não use o equipamento até que a causa seja reconhecida e resolvida.
- A corrente da serra continua a se mover por um curto período

depois de soltar o acionador do acelerador ou desligar o motor. Não se apresse em fazer o contato da corrente da serra.

- Com o motor funcionando somente em marcha lenta, coloque o arnês de ombro.
- Durante a operação, utilize o arnês de ombro. Mantenha o equipamento firmemente no seu lado direito. **(Fig. 4)**
- Segure a empunhadura frontal com a mão esquerda e o punho traseiro com a mão direita, não importando se você é destro ou canhoto. Envolver seus dedos e polegares em torno das empunhaduras.
- Nunca tente operar o equipamento com uma mão. A perda de controle pode resultar em ferimentos graves ou fatais. Para reduzir o risco de ferimento, mantenha suas mãos e pés longe das lâminas.
- Não tente se estender além do ponto de conforto. Mantenha-se sempre em uma posição firme e equilibrada. Preste atenção quanto a obstáculos escondidos, tais como pedaços de tronco, raízes e valas para evitar um tombo. Remova galhos caídos e outros objetos.
- Nunca trabalhe em uma escada ou árvore para evitar a perda do controle.
- Se o equipamento sofrer um impacto forte ou cair, verifique suas condições antes de continuar o trabalho. Verifique o sistema de combustível quanto a vazamento de combustível, e os controles e dispositivos de segurança quanto ao mau funcionamento. Se houver algum dano ou dúvida, solicite inspeção e reparo da assistência técnica autorizada Makita.
- Não toque na caixa de engrenagens. A caixa de engrenagens fica quente durante a operação.
- Descanse para evitar a perda de controle causada pela fadiga. Recomendamos tirar 10 a 20 minutos de descanso por hora.
- Quando você deixar o equipamento, mesmo por pouco tempo, sempre desligue o motor ou remova a bateria. O equipamento desacompanhado com o motor funcionando pode ser usado por uma pessoa não autorizada e causar um acidente grave.
- Siga o manual de instruções da unidade motorizada para o uso correto da chave e alavanca de controle.
- Preste atenção ao ambiente. Evite a operação desnecessária do acelerador para haver menos poluição e emissões de ruído. Ajuste do carburador corretamente.
- Durante ou após a operação, não coloque o equipamento quente sobre a grama seca ou sobre materiais combustíveis.
- Não mantenha sua mão direita acima da altura do ombro.
- Durante a operação, nunca bata a corrente da serra contra obstáculos duros, como pedras e pregos. Tenha cuidado especial quando cortar galhos próximos a paredes, cercas de arame ou similares.
- Se galhos ficarem presos no implemento, pare sempre o motor e remova a tampa da vela de ignição ou bateria. Caso contrário, a partida não intencional pode causar ferimento sério.
- Se a corrente da serra ficar obstruída, sempre desligue o motor e remova a tampa da vela de ignição ou a bateria antes da limpeza.
- Acelerar o motor com a corrente da serra bloqueada aumenta a carga e danificará o motor e/ou a embreagem.
- Antes de cortar troncos, mantenha uma área de escape longe do tronco em queda. Primeiro, limpe obstruções, tais como troncos e galhos da área de trabalho. Mova todas as ferramentas da área de escape para outro local seguro.
- Antes de cortar galhos e troncos, verifique a direção de sua queda, considerando a condição dos galhos e troncos, árvores adjacentes, direção do vento, etc. Preste atenção total à direção da queda e ao rebote do galho que bate no chão.
-  Nunca segure o podador em um ângulo superior a 60°. Caso contrário, os objetos em queda podem bater no operador e causar ferimentos graves. Nunca fique abaixo de tronco sendo cortado.
- Preste atenção a galhos quebrados ou tortos. Eles podem ricochetear no corte, causando ferimentos inesperados.
- Antes de cortar os troncos que você pretende cortar, remova os galhos e folhas em torno deles. Caso contrário, a serra pode ser pega por eles.
- Para evitar que a serra fique presa no corte, não libere a alavanca de aceleração antes de puxar a serra para fora do corte.
- Se a corrente da serra se prender no corte, pare imediatamente o motor, mova com cuidado o galho para abrir o corte e solte a serra.
- Para evitar rebote (força reativa de rotação em direção ao

operador). Para evitar rebote, nunca utilize o bico da barra guia ou execute um corte penetrante. Esteja sempre ciente da posição do bico da barra guia.

- Verifique a tensão da corrente com frequência. Quando verificar ou ajustar a tensão da corrente, desligue o motor e remova a tampa da vela de ignição ou a bateria. Se a tensão estiver frouxa, aperte-a.

## Vibração

- As pessoas que sofrem de má circulação e que são expostas à vibração excessiva, podem sofrer danos aos vasos sanguíneos ou ao sistema nervoso. A vibração pode causar a ocorrência dos seguintes sintomas nos dedos, mãos ou pulsos: “Adormecimento” (falta de sensação), formigamento, dor, pontadas, alteração da cor da pele ou da própria pele. Se ocorrer qualquer um desses sintomas, consulte um médico!
- Para reduzir o risco de “doença de branqueamento dos dedos”, mantenha suas mãos aquecidas durante a operação e mantenha bem o equipamento e os acessórios.

## Transporte

- Antes de transportar o equipamento, desligue o motor e remova a tampa da vela de ignição ou a bateria. Sempre encaixe a cobertura da barra guia durante o transporte.
- Quando transportar o equipamento, carregue-o em uma posição horizontal segurando pelo eixo. Mantenha o silencioso quente longe de seu corpo.
- Quando transportar o equipamento em um veículo, segure-o corretamente para evitar que se vire. Senão pode resultar em vazamento de combustível e danos ao equipamento e outra bagagem.

## Manutenção


- Leve seu equipamento para manutenção em nossa assistência técnica, usando sempre peças de reposição genuínas. O reparo incorreto e a manutenção ruim podem encurtar a vida útil do equipamento e aumentar o risco de acidentes.
- Antes de realizar qualquer trabalho de manutenção ou reparo, ou limpar o equipamento, sempre desligue o motor e remova a tampa da vela de ignição ou bateria. Aguarde até o motor esfriar.
- Para reduzir o risco de incêndio, nunca preste serviço ao equipamento perto de fogo.
- Sempre use luvas de proteção quando manusear a corrente da serra.
- Sempre limpe poeira ou sujeira do equipamento. Nunca utilize gasolina, benzina, solvente, álcool ou algo semelhante para isso. Isso pode resultar em descoloração, deformação ou rachaduras dos componentes plásticos.
- Após cada uso, aperte todos os parafusos e porcas, exceto os parafusos de ajuste.
- Mantenha a corrente da serra afiada. Se a corrente da serra ficar cega e o desempenho de corte for ruim, solicite à assistência técnica autorizada Makita para afiá-la ou substituí-la por uma nova.
- Não tente qualquer manutenção ou reparo não descrito neste livreto ou no manual de instruções da unidade motorizada. Solicite tal trabalho à assistência técnica autorizada Makita.
- Use somente peças de reposição e acessórios genuínos da MAKITA. Usar peças ou acessórios fornecidos por terceiros pode resultar na quebra do equipamento, danos à propriedade e/ou ferimentos graves.
- Solicite à assistência técnica autorizada Makita para inspecionar e fazer a manutenção do equipamento em intervalos regulares.

## Armazenamento

- Antes de armazenar o equipamento, realize a limpeza total e a manutenção. Encaixe a cobertura da barra guia. Remova a tampa da vela de ignição ou bateria. Drene o combustível e o óleo de corrente depois que o motor esfriar.
- Guarde o equipamento em um local seco e alto ou com cadeado, longe do alcance de crianças.
- Não apoie o equipamento contra nada, por exemplo, contra uma parede. Senão ele pode cair de repente e causar ferimentos.



## Primeiros socorros

-  Tenha sempre uma caixa de primeiros socorros nas proximidades. Reponha imediatamente qualquer item tirado da caixa de primeiros socorros.
- Quando pedir ajuda, dê as seguintes informações:
  - Local do acidente
  - O que aconteceu
  - Número de pessoas feridas
  - Natureza do ferimento
  - Seu nome

## Montagem e ajuste

### AVISO:

- Antes de montar ou ajustar o equipamento, desligue o motor e remova a tampa da vela de ignição ou a bateria. Senão a corrente da serra ou outras peças podem se mover e resultar em ferimentos graves.
- Antes de manusear a corrente da serra ou ajustar a tensão da corrente, use luvas de proteção. Senão a corrente da serra pode cortar gravemente mãos desnudas.
- Quando montar ou ajustar o equipamento, sempre coloque-o deitado. Montar ou ajustar o equipamento em uma posição ereta pode resultar em ferimentos graves.
- Siga os avisos e precauções no capítulo "Precauções de segurança" e no manual de instruções da unidade motorizada.

### Montagem do implemento (Fig. 5)

Monte o implemento conforme as seguintes etapas.

1. Afrouxe os parafusos (A) e (B).
2. Insira o eixo na caixa de engrenagem. Certifique-se de que o pino (D) está no lado de cima. Se for difícil inseri-lo por completo, gire o eixo de acionamento (C) manualmente.
3. Ajuste a posição do orifício no eixo para o orifício do parafuso (B).
4. Aperte o parafuso (B) primeiro e depois aperte o parafuso (A).

### Montagem do implemento a uma unidade motorizada (Fig. 6)


Para montar o implemento a uma unidade motorizada, siga as etapas abaixo.

1. Certifique-se de que a alavanca de travar (A) não está apertada.
2. Alinhe o pino (B) com a marca da seta (C).
3. Insira o eixo no eixo de acionamento da unidade motorizada até que o botão de liberação (D) aparecer.
4. Aperte a alavanca de travar (A) firmemente conforme mostrado.

Para remover o anexo, afrouxe a alavanca de travar, pressione o botão de travar e retire o eixo.

**AVISO:** Não aperte a alavanca de travar (A) sem o eixo do implemento inserido. Caso contrário, a alavanca de travar pode apertar muito a entrada do eixo de acionamento e danificá-lo.

### Montagem da corrente da serra e barra guia

 **ATENÇÃO:** Certifique-se de que a corrente da serra, barra guia e roda dentada se correspondem no calibrador e passo.

Monte a corrente da serra e barra guia conforme as etapas a seguir. (Fig. 7-9)

1. Afrouxe a porca (A) e remova o suporte da barra (B).
2. Gire o parafuso de tensão (C) na direção anti-horária até que a porca de tensão (D) toque na extremidade esquerda.

**AVISO:** Não gire o parafuso de tensão muito na direção anti-horária, pois senão o parafuso de tensão e a porca de tensão saem do compartimento.

3. Encaixe a corrente da serra (E) na ranhura da barra guia (F). Comece o procedimento a partir do bico da barra.
4. Alinhe o parafuso de posicionamento (G) com a ranhura da barra guia (H), e depois encaixe a corrente da serra (E) na roda dentada (I). Certifique-se de que a corrente da serra é mantida encaixada ao longo da barra guia durante o procedimento.
5. Instale a barra guia (F) de forma que a porca de tensão (D) se encaixe no orifício (J) da barra guia. Os orifícios (K) não são usados.

6. Coloque corretamente a corrente da serra na ranhura da barra guia. Se a corrente da serra não for colocada corretamente na ranhura da barra guia neste momento, ajuste e encaixe-a adequadamente.
7. Encaixe o suporte da barra (B) e aperte a porca (A) firmemente. Em seguida, afrouxe a porca meia volta como uma provisão do ajuste de tensão da corrente.
8. Ajuste a tensão da corrente. Consulte a seção "Ajuste da tensão da corrente".

### ATENÇÃO:

- Mantenha a tensão da corrente aplicável. Tensão frouxa pode causar a saída da corrente da serra do trilho. (Fig. 10)

Para remover a corrente da serra e a barra guia, gire o parafuso de tensão (C) na direção anti-horária.

Puxe a corrente da serra para fora para deixá-la sair da ranhura da barra guia, depois remova estas do compartimento. (Fig. 11)

## Ajuste da tensão da corrente

### AVISO:

- Antes de verificar ou ajustar a tensão da corrente, desligue o motor e remova a tampa da vela de ignição ou a bateria.
- Antes de verificar ou ajustar a tensão da corrente, use luvas de proteção.

### ATENÇÃO:

- Mantenha a tensão de corrente aplicável. Tensão frouxa pode fazer com que a corrente da serra saia durante a operação. Tensão apertada demais pode danificar a corrente da serra ou barra guia.
- Durante a operação, verifique a tensão da corrente com frequência. A corrente da serra se estica e fica frouxa durante a operação. Quando usar uma corrente de serra nova, ajuste a tensão com mais frequência. (Fig. 12)

Ajuste a tensão da corrente conforme as etapas a seguir.

1. Afrouxe a porca (A) uma meia volta.
2. Segure o bico da barra para cima. Gire o parafuso de tensão (B) no sentido horário até que a corrente da serra se encaixe no lado de baixo da barra guia com conforto.
3. Puxe a corrente da serra juntamente com a barra guia com a mão. Se for difícil de se mover, gire ligeiramente o parafuso de tensão na direção anti-horária e faça novamente a etapa 2.
4. Aperte a porca (A) firmemente.

## Preenchimento do tanque de óleo da corrente

A corrente da serra deve ser lubrificada com óleo de corrente durante a operação.

Antes da operação, preencha o tanque de óleo da corrente. Depois de suprir o óleo, aperte com firmeza a tampa do óleo.

Use somente óleo de corrente genuíno da Makita.

**AVISO:** Nunca use óleo queimado. Isso pode danificar a bomba de óleo.

Durante a operação, preste sempre atenção ao nível do óleo.

Rebasteça o tanque se o nível do óleo ficar baixo. O tanque fica vazio em cerca de 40 minutos de operação (dependendo do ajuste de lubrificação da corrente).

## Adjuste da taxa de alimentação de óleo da corrente (Fig. 13 e 14)

A taxa de alimentação de óleo da corrente é ajustável em três etapas. De acordo com a operação, por exemplo, corte de troncos duros, ajuste a taxa de alimentação.

Para ajustar a taxa de alimentação de óleo de corrente, use uma chave de fenda com lâmina chata. Empurre o parafuso de ajuste e gire-o. Para aumentar a taxa de alimentação, gire o parafuso de ajuste na direção anti-horária (A). Para diminuir a taxa de alimentação, gire-o na direção horária (B).

Após o ajuste da taxa de alimentação de óleo de corrente, verifique a taxa de alimentação ao acionar o equipamento na velocidade média.

## Inspeção e manutenção

### AVISO:

- Antes de inspecionar ou montar o equipamento, desligue o motor e remova a tampa da vela de ignição ou a bateria. Senão a corrente da serra ou outras peças podem se mover e resultar em ferimentos graves.
- Antes de manusear ou trabalhar ao redor da corrente da serra, use luvas de proteção. Senão a corrente da serra pode cortar gravemente mãos desnudas.
- Quando inspecionar ou manter o equipamento, sempre coloque-o deitado. Montar ou ajustar o equipamento em uma posição ereta pode resultar em ferimentos graves.
- Siga os avisos e precauções no capítulo "Precauções de segurança" e no manual de instruções da unidade motorizada.

### Limpeza da porta de alimentação de óleo de corrente (Fig. 15)

Limpe a porta de alimentação de óleo de corrente **(A)** diariamente. Para acessá-la, remova o suporte da barra e a barra guia.

### Limpeza e inspeção da barra guia (Fig. 16)

Limpe a barra guia diariamente. Remova o pó de serra da ranhura **(A)** e da porta de alimentação de óleo do motor **(B)**. Para evitar o desgaste de um lado da barra guia, vire-a sempre que substituir ou afiar a corrente da serra. Se a ranhura estiver gasta, torta ou deformada, substitua a barra guia.

### Inspeção da roda dentada (Fig. 17)

Verifique a roda dentada quanto a desgaste a cada 50 horas de uso. Substitua a mesma se as marcas de desgaste tiverem uma profundidade de 0,3 mm ou maior.

### Inspeção da corrente da serra

Quando você achar que a corrente da serra está desgastada, deformada, rachada ou você precisar de mais esforço para o corte, substitua a corrente ou solicite a afiação para a assistência técnica autorizada Makita.

### Lubrificação das peças móveis (Fig. 18)

**AVISO:** Siga as instruções de frequência e quantidade de graxa fornecida. Caso contrário, a lubrificação insuficiente pode danificar as peças móveis.

Caixa de engrenagens:

Remova a tampa da graxa **(A)** e preencha com graxa à base de lítio pelo orifício de graxa **(B)** a cada 25 horas de operação.

Eixo de acionamento:

Aplique graxa (Shell Alvania nº 2 ou equivalente) a cada 25 horas de operação.


Bico da barra guia:

Aplique graxa (Shell Alvania nº 2 ou equivalente) a partir do orifício de graxa **(C)** a cada 10 horas de operação.

### Inspeção geral

- Aperte as cavilhas, porcas e parafusos frouxos.
- Verifique se há peças danificadas. Solicite a sua substituição à assistência técnica autorizada Makita.
- Verifique o suporte da barra. Se houver rachadura ou deformação, faça a sua substituição.

## Armazenamento

 **AVISO:** Siga os avisos e precauções no capítulo "Precauções de segurança" e no manual de instruções da unidade motorizada.

Quando guardar o implemento podador separado da unidade motorizada, coloque a capa no final do cabo. **(Fig. 19)**

## Programa de manutenção

Hora de operação		Antes da operação	Diariamente (10 h)	25 h	50 h	Se necessário	Página correspondente
Unidade inteira	Inspecionar visualmente quanto a peças danificadas	○					26
Todos os parafusos e porcas de fixação	Aperte	○					26
Porta de alimentação de óleo de corrente	Limpar		○				26
Barra guia	Limpe a ranhura e a porta de alimentação de óleo da corrente		○				26
	Inspecionar visualmente		○				26
	Fornecer graxa ao bico		○				26
Caixa de engrenagens	Fornecer graxa			○			26
Eixo de acionamento	Fornecer graxa			○			26
Roda dentada	Inspecionar visualmente				○		26
Corrente da serra	Substituir ou solicitar a afiação					○	26
Unidade motorizada	Consulte o manual de instruções da unidade motorizada.						

## Resolução de problemas

Problema	Causa possível	Solução
O motor não dá partida.	Consulte o manual de instruções da unidade motorizada.	
O motor para logo depois de dar partida.		
A velocidade máxima é limitada.		
A corrente da serra não se move. → <b>Pare o motor imediatamente!</b>	A barra guia está torta ou danificada.	Substitua a barra guia.
	Um galho fino foi pego pela corrente da serra.	Remova o material estranho.
	O sistema de acionamento não funciona corretamente.	Solicite a inspeção e o reparo à assistência técnica autorizada Makita.
A unidade vibra anormalmente. → <b>Pare o motor imediatamente!</b>	O sistema de acionamento não funciona corretamente.	Solicite a inspeção e o reparo à assistência técnica autorizada Makita.
A corrente da serra não para. → <b>Pare o motor imediatamente!</b>	A unidade motorizada não funciona corretamente.	Consulte o manual de instruções da unidade motorizada.
Não foi fornecido óleo de corrente.	O tanque de óleo está vazio.	Preencha o tanque de óleo com óleo de corrente.
	A porta de alimentação de óleo de corrente está suja.	Limpe a porta de alimentação de óleo de corrente na unidade e barra guia.
	O parafuso de ajuste da taxa de alimentação de óleo de corrente está ajustado incorretamente.	Coloque o parafuso de ajuste corretamente.

## Dados técnicos

Modelo	EY401MP	
Dimensões (C x L x A)	mm	1.166 x 74 x 105
Massa	kg	1,0
Comprimento da barra guia	mm	255 (10 pol)
Corrente da serra	91VXL-39E	
Calibrador de corrente	polegada	0,050"
Número de dentes da roda dentada	7	
Óleo de corrente	Óleo de corrente genuíno da Makita	
Bomba de óleo da corrente	Bomba de pistão (tipo que se lubrifica sozinho)	
Capacidade do tanque de óleo da corrente	ml	120
Relação entre engrenagens (aumento da velocidade)	0,94	

## 前言

感谢您购买牧田 (Makita) 高枝链锯切割头总成。该切割头总成设计用于安装在本指导手册中所提及的牧田动力装置上。

使用前请阅读本手册及动力装置的指导手册。这些内容有助您最合理地利用牧田高枝链锯切割头总成。

目录	页码
前言.....	28
符号 .....	28
批准的动力装置.....	28
部件说明.....	29
安全注意事项.....	29
装配与调校.....	30
检查与保养.....	31
存放.....	31
维护计划.....	32
故障排除.....	32
技术数据.....	32

## 符号

以下符合用于切割头总成和本指导手册。理解这些定义。



请阅读并遵守本指导手册。



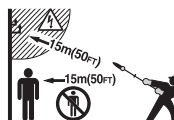
要万分小心谨慎！



戴好防护性头盔，保护眼睛和耳朵。



穿上结实的有防滑底的靴子。



设备与旁观者和 / 或电线（包括连接该电线的分支）之间至少要保持 15 m 远。有触电和 / 或人员受伤的风险。



操控高枝链锯的角度不得超过 60° 。



链条机油



急救

## 批准的动力装置

本切割头总成仅批准用于以下动力装置：

**EX2650LH 多功能汽油机**

**HXU01、HXU02、BUX360、BUX361、BUX362、UX360D、**

**UX361D、UX362D**

**充电式多功能动力机**

**⚠警告：严禁将本切割头总成用于非批准的动力装置。非批准的组合可能导致严重受伤。**

## 部件说明 (图 1)

图中所指的编号如下

1. 轴
2. 齿轮箱
3. 机油盖
4. 机油箱
5. 杆固定器
6. 导向杆
7. 链锯条
8. 导向杆盖

## 安全注意事项

**⚠ 警告：**请阅读本手册及动力装置指导手册中的所有安全警告和所有操作指示。违反这些警告和指示可能导致触电、火灾和/或严重的人身伤害事故。

请妥善保存所有的警告和操作指示以备日后参考。

警告和注意事项中的“高枝链锯”和“设备”一词是指切割头总成与动力装置的组合。

警告和注意事项中的“电机”一词是指动力装置的发动机或电动机。

### 设计用途

- 本切割头总成的设计用途只有一个：结合使用批准的动力装置修剪直径小于 15 cm 的分枝和枝干。不得将切割头总成作其它用途。滥用切割头总成可能会造成严重受伤。

### 一般防范措施

- 在启动高枝链锯前，请先阅读本手册以及动力装置的指导手册，来熟悉高枝链锯的操作。
- 切勿将切割头总成借给对高枝链锯的操作经验不足或不了解的人员使用。
- 如果出借切割头总成，务必附上本指导手册。
- 禁止儿童或未满 18 岁的青少年使用高枝链锯。应让他们远离高枝链锯。
- 应非常小心谨慎地操作高枝链锯。
- 切勿在酒后或服用药物后，或在感觉疲劳或身体不适时使用高枝链锯。
- 不得改装切割头总成。
- 国家法规可能现在设备的使用。遵循所在国家使用高枝链锯和链锯的相关规定。

### 个人防护装备

- 配戴安全帽、护目镜和防护手套，以防您受到飞溅的碎屑或坠落物体的伤害。(图 2)
- 配戴护耳装置如护耳套以防听力损伤。
- 穿戴适当的衣服和鞋子以确保安全作业，譬如穿上工作服和结实、防滑的鞋子。请勿穿戴宽松的衣服或佩戴首饰。宽松的衣服、首饰或长发可能会被卡入移动机件中。
- 操作链锯条或调整链条张力时，应戴上防护手套。否则链锯条会严重割伤裸露的双手。

### 工作区域安全

- **⚠ 危险：**高枝链锯距离电线及通信线（包括连接线路的分支）至少应 15 m 远。高枝链锯触及或靠近高压线路会导致死亡或严重受伤。请在作业前观察工作区域周围的电线和电网。
- 只能在能见度良好、阳光充足的情况下操作高枝链锯。切勿在黑暗或大雾的时候操作高枝链锯。
- 只能在户外通风良好的区域操作发动机。在狭小封闭或通风欠佳的区域操作可能会因窒息或一氧化碳中毒而导致死亡。
- 不得站在不平稳或易滑的表面或陡峭的坡上作业。在寒冷季节里作

业时应小心冰雪，务必站稳。

- 作业期间旁观人员或动物至少应距高枝链锯 15 m。一旦有人靠近，应立即停止电机。
- 作业前应检查工作区域有无铁丝栅栏、墙壁或其它坚固的物体。这些物体可能会损坏链锯条。
- **⚠ 警告：**使用本产品可引起含有化学物的灰尘，这些化学物可能引起呼吸或其他疾病。  
比如这些化学物中有杀虫剂、农药、肥料以及除草剂中的化合物。根据您的工作进行该类型工作的频率，您面临这些暴露的危险也各异。为减少暴露在这些化学物的风险：在通风良好的区域作业，配戴批准的安全设备，例如专门用来过滤微粒的防尘面罩。

### 投入操作


- 在装配或调校设备前，应关闭电机，取下火花塞帽或电池套管。
- 操作链锯条或调整链条张力前，应戴上防护手套。
- 启动电机前，请检查设备有无损坏、松动的螺丝/螺母或装配不当的地方。磨利变钝的链锯条。如果链锯条弯曲或损坏，应予以更换。检查所有控制杆和开关是否便于操作。清洁和干燥手柄。
- 切勿在设备损坏或尚未装配妥当时启动电机，否则可能导致严重受伤。
- 根据操作人员的体格调整肩带和把手。
- 正确调整链条张力。根据需要注入链条机油。

### 启动电机

- 启动电机前配戴好个人防护装备。
- 启动发电机的地方应至少距离加油点 3 m 远。
- 在启动电机前，确保工作区域没有人或动物。
- 在启动发动机或装入电池套管时，保持链锯条和导向杆不靠近您和其它物体（包括地面）。链锯条在启动时可能会移动，从而导致严重受伤或损坏链锯条和/或财产。
- 将设备放在稳固的地面上。保持设备平衡和放稳。
- 在拉动启动器按钮时，应用左手朝地面仅紧紧按住动力装置。切勿踩在动力装置的驱动轴上。(图 3)
- 请遵照动力装置的指导手册启动电机。
- 检查空转速度和接合速度是否有显著的不同，以确保在发动机怠速时切割头总成也处于静止状态（如果需要，可降低怠速速度）。
- 如果链锯条怠速时移动，请停止发动机并调慢怠速速度。

### 操作

- 万一发生紧急情况，应立即关闭电机。
- 如果您在操作过程中察觉到异常状况（如噪声、震动等）应关闭电机。在找出并解决原因后方可继续使用设备。
- 释放油门扳机或关闭电机后链锯条会继续移动一下，请不要急于接触链锯条。
- 在发动机怠速运行时连接肩带。
- 操作时，请使用肩带。应保持设备稳固地位于您的右侧。(图 4)
- 不论您是惯用左手还是右手，均应用左手握住前面的手柄，用右手握住后面的把手。用拇指和其它手指握住手柄。
- 禁止试图用一只手操作本设备。如果失控，会导致严重或致命的伤害。要降低受伤的风险，手脚应远离刀片。
- 避免错误的持机姿势。务必站稳并始终保持平衡。观察有无隐蔽的障碍物如树桩、树根和沟槽，以免被绊倒。清理坠落的树枝和其它物体。
- 不得在梯子或树上作业以免失去控制。
- 如果设备受到大力撞击或掉地，应检查其状况后再继续作业。检查燃油系统有无漏油，检查控制和安全设备有无故障。如有任何损坏或存疑，可请求牧田授权服务中心进行检查和维修。
- 请勿触碰齿轮箱。齿轮箱在操作期间会变热。
- 务必休息一会以防因疲劳引起机器失控。建议您每小时休息 10 到 20 分钟。
- 即使是离开设备一会儿，也务必关闭发动机或取下电池套筒。未经授权的人员可能会使用发动机尚在运转却无人看管的设备而造成严重事故。

- 请依照动力装置的指导手册正确使用控制杆和开关。
- 注意环境。避免不必要地操作油门以减少污染和噪音排放。正确调校化油器。
- 在操作时或操作后，不要将高温的设备放到干燥的玻璃或易燃材料上。
- 请勿将右手超过肩膀高度。
- 操作时不要将链锯条撞到石头或钉子等坚硬的障碍物上。在切割墙壁、铁丝栅栏等旁边的树枝时应格外小心。
- 如果树枝被卡在切割头总成，总是停止电机，取下火花塞帽或电池套管。否则意外启动可能导致严重受伤。
- 如果链锯条被堵塞，务必关闭电机并取下火花塞帽或电池套管后进行清理。
- 在链锯条堵塞的情况下加速电机可能会增大负荷，损坏电机和 / 或离合器。
- 在切割枝干前，应留出一片远离跌落的枝干的撤离区域。首先清理工作区域里枝干之类的障碍物。将撤离区域里的所有工具和物品搬到其它安全位置。
- 在切割分枝和枝干前，先检查分枝和枝干的坠落方向，考虑分枝和枝干、旁边的树的状况以及风向等。应充分留意坠落方向和树枝接触到地面的反弹。
-  操控高枝链锯的角度不得超过 60°。否则掉落的物体可能会击中操作人员并造成严重受伤。切勿站在切割的枝干下面。
- 注意折断或弯曲的树枝。它们可能会在切割时弹回而导致意外受伤。
- 在切割枝干前，应清除分枝并将分枝放在旁边。否则电锯会被它们绊住。
- 为防止电锯陷入锯缝里，在从锯缝里拉出电锯前请不要释放油门杆。
- 如果链锯条陷入锯缝里，应立即停止电机，小心推开锯缝来取出链锯。
- 避免反冲（朝向操作员的旋转反作用力）。要防止反冲，不得使用导向杆的前端或进行穿透性的切割。务必始终留意导向杆前端的位置。
- 经常检查链条张力。在检查或调整链条张力前，应关闭电机，取下火花塞帽或电池套管。如果变松，应将其调紧。

## 振动

- 血液循环功能较差的人员暴露于过大的振动可能导致血管或神经系统受伤。振动可能导致手指、手或手腕出现下列症状：“懈怠”（麻木）、麻刺感、疼痛、刺痛感，皮肤颜色或皮肤改变。如果发生这些症状之一，请就医！
- 为减少“白指症”的风险，请在操作和良好维护设备及附件时保持手的温暖。

## 运输

- 在运输设备前，应关闭电机，取下火花塞帽或电池套管。运输过程中要安装导向杆盖。
- 在运输设备时，应握住轴以使其位于水平位置。高温的消音器应远离您的身体。
- 将设备放入交通工具中运输时，应进行适当的固定以免翻倒。否则会发生燃油溢出，从而损坏设备及其它物品。

## 维护


- 如果您的设备通过我们的授权服务中心进行维修，请务必仅使用原厂更换机件。错误的修理和维护不善将缩短设备寿命，并增加意外事故的风险。
- 在维护、修理或清洁设备前，始终应关闭电机，取下火花塞帽或电池套管。应等待直至电机冷却。
- 为降低火灾风险，不得在火源附近维护设备。
- 操作链锯条时始终应配戴防护手套。
- 总是清除设备上的灰尘和脏污。不得使用汽油、苯、稀释剂、酒精或其它类似产品进行清洁。否则可能导致塑料部件褪色、变形或破裂。

- 每次使用后，拧紧所有螺丝和螺母（调节螺丝除外）。
- 保持链锯条锋利。如果链锯条变钝并且切割性能欠佳，可请求牧田授权服务中心将其磨利或更换新链锯条。
- 切勿尝试进行本手册或动力装置指导手册中未说明的维护或修理作业。可请求牧田授权服务中心进行此类作业。
- 仅使用牧田原厂备件和配件。使用第三方提供的机件或配件可能导致设备故障、财产损坏和 / 或严重受伤。
- 请求牧田授权服务中心定期检查和维护设备。

## 存放

- 存放设备前，执行全面清洁和保养。安装导向杆盖。取下火花塞帽或电池套管。发动机冷却后排空燃油和链条机油。
- 将设备存放在干燥的、儿童触碰不到的高处或锁好的位置。
- 切勿将设备靠在墙壁等物体上，否则可能会突然掉地而造成受伤。

## 急救

-  总是将急救包放在附近。应立即更换从急救包中取出的物品。
- 请在求助时提供以下信息：
  - 事故地点
  - 发生了什么事
  - 受伤人数
  - 受伤的性质
  - 姓名

## 装配与调校

### 警告：

- 在装配或调校设备前，应关闭电机，取下火花塞帽或电池套管。否则链锯条或其它机件可能移动而导致严重受伤。
- 操作链锯条或调整链条张力前，应戴上防护手套。否则链锯条会严重割伤裸露的双手。
- 在装配或调校本设备前，务必将机器放倒。在直立位置装配或调校本设备可能导致严重受伤。
- 遵守“安全注意事项”一章以及动力装置指导手册中的警告和注意事项。

### 组装切割头总成（图 5）

按如下步骤装配切割头总成。

1. 松开螺丝 (A) 和 (B)。
2. 将轴插入齿轮箱。确保销子 (D) 在上面。如果难以完全插入，手动转动驱动轴 (C)。
3. 调节轴孔的位置到螺丝孔 (B) 处。
4. 首先拧紧螺丝 (B)，然后拧紧螺丝 (A)。

### 在动力装置上安装切割头总成（图 6）

要将切割头总成安装在动力装置上，请执行以下步骤。

1. 确保锁杆 (A) 没有拧紧。
2. 将销子 (B) 与箭头标记 (C) 对齐。
3. 将轴插入动力装置的驱动轴中，直到释放按钮 (D) 弹出。
4. 拧紧锁杆 (A)，如图所示。

要拆下切割头总成，请松开锁杆，按下锁定按钮并缩回轴。

**注意：**切割头总成的轴没有插入时，请勿拧紧锁杆 (A)。否则锁杆可能过度拧紧驱动轴的入口，造成损坏。

### 装配链锯条和导向杆

**注意：**确保链锯条、导向杆和链齿的隔距和斜度一一相对。

按照以下步骤装配链锯条和导向杆。（图 7 - 9）

1. 松开螺母 (A) 并取下杆固定器 (B)。
2. 逆时针转动张力螺丝 (C)，直到张力螺母 (D) 接触到左端。

**注意：**请勿逆时针转动张力螺丝过多，否则张力螺丝和张力螺母可能

从外壳上脱出。

3. 将链条 (E) 装入导向杆的沟槽 (F) 中。从杆前端启动程序。
4. 将定位螺栓 (G) 与导向杆上的凹槽 (H) 对齐, 然后将链条 (E) 装在链齿 (I) 上。确保在该步骤中, 链条始终沿着导向杆安装。
5. 安装导向杆 (F), 让张力螺母 (D) 装入导向杆的孔 (J) 中。孔 (K) 未使用。
6. 将链条正确放在导向杆的沟槽中。如果链条没有正确放在该点处的导向杆沟槽中, 相应地调节并安装它。
7. 安装杆固定器 (B) 并拧紧螺母 (A)。然后拧松螺母半圈以进行链条张力调整的准备。
8. 调整链条张力。参考“调整链条张力”一节。

#### ⚠ 注意:

- 保持适合的链条张力。松弛的张力可能引起链条脱链。(图 10)
- 如要拆下链锯条和导向杆, 首先逆时针转动张力螺丝 (C)。向外推链锯条, 让链锯条从导向杆的沟槽中脱出, 然后从壳体中取出它们。(图 11)

### 调整链条张力

#### ⚠ 警告:

- 在检查或调整链条张力前, 应关闭电机, 取下火花塞帽或电池套管。
- 在检查或调整链条张力前, 应配戴防护手套。

#### ⚠ 注意:

- 保持适合的链条张力。链条变松可能会导致链锯条操作时脱落。链条太紧则可能损坏链锯条或导向杆。
- 操作时, 常常检查链条张力。链锯条操作过程中会因伸展而变松。使用新链锯条时, 应更频繁地调整张力。(图 12)

请按以下步骤调整链条张力。

1. 拧松螺母 (A) 半圈。
2. 保持杆前端向上。顺时针转动张力螺丝 (B), 直到链锯条紧密地装在导向杆的下侧。
3. 用手沿着导向杆推链锯条。如果不容易移动, 稍稍逆时针转动张力螺丝, 然后再执行步骤 2。
4. 拧紧螺母 (A)。

### 链条机油箱加油

操作期间必须用链条机油润滑链锯条。

操作前, 给链条机油箱添加机油。添加机油后拧紧机油盖。

仅使用牧田原装链条机油。

**注意:** 切勿使用废机油。否则可能会损坏机油泵。

操作时, 总是注意机油油位。如果油位变低应重新为油箱加油。大约操作 40 分钟后油箱中的油将用完 (取决于链条润滑设置)。

### 调节链条机油进给速率 (图 13 和 14)

链条机油进给速率在三个步骤中可调。根据操作情况, 例如切割硬树干, 可调节进给速度。

要调整链条机油进给速度, 应使用平头螺丝刀。按入调节螺丝并转动它。如要增加进给速率, 逆时针转动调节螺丝 (A)。如要减少进给速率, 顺时针转动调节螺丝 (B)。

调整链条机油进给速度后, 以中等速度驱动设备来检查进给速度。

## 检查与保养

#### ⚠ 警告:

- 在检查或保养设备前, 应关闭电机, 取下火花塞帽或电池套管。否则链锯条或其它机件可能移动而导致严重受伤。
- 搬运或操作链锯条前, 应配戴防护手套。否则链锯条会严重割伤裸露的双手。
- 在检查或保养本设备前, 务必将机器放倒。在直立位置装配或调校本设备可能导致严重受伤。

- 遵守“安全注意事项”一章以及动力装置指导手册中的警告和注意事项。

### 清洁链条机油进给口 (图 15)

每日清洁链条机油进给口 (A)。要接触进给口, 应取下杆固定器和导向杆。

### 清洁与检查导向杆 (图 16)

每日清洁导向杆。除去沟槽 (A) 和链条机油进给口 (B) 上的灰尘。为避免导向杆的一端磨损, 每次更换或磨快链锯条时可将它翻过来。如果沟槽磨损、弯曲或变形, 应更换导向杆。

### 检查链齿 (图 17)

每使用 50 小时后要检查一次链齿。如果磨损痕迹达到 0.3 mm 或更深, 应更换链齿。

### 检查链锯条

如果您认为链锯条磨损、变形、破裂或要费更大的力才能切割, 可更换链锯条或请求牧田授权服务中心将链锯条磨利。

### 润滑移动机件 (图 18)

**注意:** 遵守润滑油使用频率和使用量的指示。否则润滑不充分会导致移动机件损坏。

齿轮箱:

每运行 25 小时, 取下润滑油塞 (A) 并从润滑油孔 (B) 注入锂基润滑油。

驱动轴:

每操作 25 个小时上一次润滑油 (Shell Alvania No. 2 或同等润滑油)。

导向杆前端:

每操作 10 个小时从润滑油孔 (C) 上一次润滑油 (Shell Alvania No. 2 或同等润滑油)。

### 全面检查

- 拧紧松动的螺栓、螺母和螺丝。
- 检查机件受损情况。可请求牧田授权服务中心更换受损机件。
- 检查杆固定器。如果有裂纹或变形, 请将其更换。

## 存放

⚠ 警告: 遵守“安全注意事项”一章以及动力装置指导手册中的警告和注意事项。

分开存放高枝链锯切割头总成和动力装置时, 应将罩盖放在轴的末端。(图 19)

## 维护计划

操作小时		操作之前	每日 (10 小时)	25 小时	50 小时	视需要	对应页面
整机	目视检查受损机件	○					31
所有固定螺丝和螺母	拧紧	○					31
链条机油进给口	清洁		○				31
导向杆	清洁沟槽和链条机油进给口		○				31
	目视检查		○				31
	对前端补充润滑油		○				31
齿轮箱	补充润滑油			○		31	
驱动轴	补充润滑油			○		31	
链齿	目视检查				○	31	
链锯条	更换或请求磨利					○	31
动力装置	参考动力装置的指导手册						

## 故障排除

问题	问题的原因	解决方法
电机没有启动。	参考动力装置的指导手册。	
电机启动后马上停止。		
最大速度受到限制。		
链锯条没有移动。 → 马上停止电机！	导向杆弯曲或受损。	更换导向杆。
	链锯条钩到小枝桠。	清除异物。
	驱动系统不能正常工作。	请求牧田授权服务中心进行检查或维修。
机器振动有异常。 → 马上停止电机！	驱动系统不能正常工作。	请求牧田授权服务中心进行检查或维修。
链锯条没有停止。 → 马上停止电机！	动力装置没有正常工作。	参考动力装置的指导手册。
链条机油没有补充。	机油箱空了。	往机油箱中注入链条机油。
	链条机油进给口脏了。	清洁主机及导向杆上面的链条机油进给口。
	调节链条机油进给速度的螺丝安装不当。	正确安装调节螺丝。

## 技术数据

型号		EY401MP
尺寸 (长 × 宽 × 高)	mm	1,166 × 74 × 105
质量	kg	1.0
导向杆长度	mm	255 (10")
链锯条		91VXL-39E
链条隔距	英寸	0.050"
链齿数		7
链条机油		牧田原装链条机油
链条机油泵		柱塞泵 (自润滑型)
链条机油箱容量	ml	120
齿轮比 (增速)		0.94



## 前言

非常感謝您購買Makita高枝鏈鋸組件。本組件將安裝於本說明手冊內提及的動力裝置上。

使用前，請閱讀本手冊與動力裝置的說明手冊。這些手冊將協助您使用Makita高枝鏈鋸組件，並徹底發揮其性能。

目錄	頁次
前言.....	33
符號.....	33
核准的動力裝置.....	33
零件說明.....	34
安全注意事項.....	34
組裝與調整.....	35
檢查及保養.....	36
貯藏.....	36
保養周期.....	37
故障排除.....	37
技術資料.....	37

## 符號

在組件上與本操作手冊中使用下列符號。請務必了解這些定義。



請閱讀並遵循說明手冊。



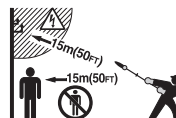
請特別注意小心！



請戴上安全防護頭盔、眼睛防護具及耳部防護具。



請穿上堅固的防滑靴。



設備與旁人及/或電氣線路(包括任何接觸的分支線路)之間至少須保持 15 公尺 (50 英尺) 的距離。觸電及/或個人受傷的危險。



切勿以超過 60° 的角度握著高枝鏈鋸。



鏈鋸油



急救

## 核准的動力裝置

此組件只能准許使用下列動力裝置：

**EX2650LH 引擎式多功能動力機**

**HXU01, HXU02, BUX360, BUX361, BUX362, UX360D, UX361D,**

**UX362D 充電式多功能動力機**

**警告：**此組件切勿使用於非核准的動力裝置。未經核准的組合可能造成嚴重的傷害。

## 零件說明 (圖 1)

以下為圖中的數字編號

1. 傳動軸
2. 變速器殼
3. 機油蓋
4. 油箱
5. 導板座
6. 導板
7. 鏈鋸
8. 導板蓋

## 安全注意事項

**警告：**請閱讀本手冊內的所有安全警告事項與說明，以及動力裝置的說明手冊。若未遵循警告事項與說明，可能會導致觸電、火災及/或嚴重受傷。

請保留所有警告與說明資訊，以供日後參考之用。

警告與注意事項中的「高枝鏈鋸」與「設備」指的是組件與動力裝置的組合。

警告與注意事項中的「馬達」指的是動力裝置的引擎或電氣馬達。

### 用途

- 本組件僅供搭配核准的動力裝置，修剪直徑在15公分以下的樹枝及大枝幹之用。切勿將組件作為其他用途之用。濫用組件可能會造成嚴重傷害。

### 一般注意事項

- 起動高枝鏈鋸之前，請閱讀本手冊與動力裝置的說明手冊，以熟悉處理高枝鏈鋸的方式。
- 請勿將本組件借給經驗不足或未充分理解高枝鏈鋸處理方式之人使用。
- 借出本組件時，請務必附上本說明手冊。
- 請勿讓兒童或18歲以下的青少年使用高枝鏈鋸。請讓此年齡層之人遠離高枝鏈鋸。
- 請務必謹慎小心使用高枝鏈鋸。
- 絕不可在飲酒及服藥後、感到疲勞或生病時使用高枝鏈鋸。
- 絕不可嘗試改裝組件。
- 國家法規可能限制使用此設備。  
請遵循當地高枝鏈鋸與電動鏈鋸機處理的法規。

### 個人防護裝備

- 請戴上安全防護頭盔、護目鏡及防護手套，保護自己不被飛出的碎屑或掉落的物體砸到。(圖 2)
- 請戴上如耳罩等的耳部防護具，避免聽力受損。
- 請穿上可安全操作的合適衣物與鞋子，例如工作服及堅固的防滑鞋。請勿穿戴寬鬆的衣服或配戴首飾。鬆垮的衣物、首飾或長髮會被捲入活動零件。
- 處理鏈鋸或調整鏈鋸張力時，請戴上防護手套。鏈鋸會嚴重割傷赤裸的空手。

### 工作區域安全

- 危險：**電氣線路與通信纜線(包括任何接觸的分支線路)應與高枝鏈鋸保持至少 15 公尺遠的距離。以高枝鏈鋸觸碰或靠近高壓電線路會造成人員嚴重傷亡。開始操作前，請注意工作區域周圍的電力線路及電圍欄。
- 僅可在能見度良好與日光照明的條件下操作高枝鏈鋸。請勿在黑暗或霧中操作高枝鏈鋸。
- 僅可在通風良好的室外起動與操作引擎。於局限空間或通風不良的區域內操作，會因窒息或一氧化碳中毒而導致死亡。
- 操作時，絕不可站在不穩固或濕滑表面或陡峭斜坡上。在寒冷季節

中，請注意冰雪，並務必確保已確實站穩。

- 操作時，旁人或動物應至少與高枝鏈鋸保持 15 公尺的距離。一有人靠近時，請即刻停止馬達。
- 操作前，請檢查工作區域內是否有鐵絲網圍欄、牆壁或其他硬物。上述物體會使鏈鋸損壞。
- 警告：**使用本產品時會產生粉塵，而粉塵內的化學物質可能會造成呼吸或其他疾病。  
其中的部分化學物質為在殺蟲劑、農藥、肥料及除草劑中發現的化合物。  
視從事此類型工作的頻繁程度而定，暴露於這些化學物質之中的風險將各有不同。為減少暴露於上述化學物質的時間：於通風良好之處工作，並在工作時穿戴經核准的安全裝備，例如專為過濾微粒設計的防塵面罩。

### 開始操作


- 組裝或調整設備之前，請關閉馬達並卸下火星塞蓋或電池盒。
- 處理鏈鋸或調整鏈鋸張力之前，請戴上防護手套。
- 起動馬達之前，請檢查設備是否損壞、螺絲/螺帽是否鬆動，或組裝是否不當。請將鈍掉的鏈鋸磨利。若鏈鋸彎曲或損壞，請更換之。檢查所有控制桿及開關是否易於作動。清潔並使把手確實乾燥。
- 若設備損壞或未完全組裝完成，絕不可嘗試起動馬達。否則可能會使人員嚴重受傷。
- 依據操作人員的身體尺寸，調整雙肩背帶與手柄。
- 適當調整鏈鋸張力。視需要添加鏈鋸油。

### 起動馬達

- 請在起動馬達前穿上個人防護裝備。
- 至少距離加油位置 3 公尺(10 英尺) 遠後，才起動引擎。
- 起動馬達前，請確定工作區域內沒有任何人或動物。
- 起動引擎或插入電池盒前，請確定鏈鋸與導板避開您的身體與其他物體，包括地面。鏈鋸可能會在起動時運轉，並可能造成人員嚴重受傷，或嚴重損壞鏈鋸及/或財產。
- 請將設備放置於穩固的地面上。保持良好的平衡並確實站穩。
- 拉動手拉式起動器時，請靠住地面用左手確實握著動力裝置。絕不可踏在動力裝置的驅動傳動軸上。(圖 3)
- 請依照動力裝置的說明手冊起動馬達。
- 檢查怠速與接合速度之間的差異，是否足以在引擎怠速運轉時，仍使組件保持不動(視需要降低怠速轉速)。
- 若鏈鋸怠速運轉，請停止引擎並向下調整怠速。

### 操作

- 發生緊急情況時，請立即關閉馬達。
- 若您覺得情況不對(例如噪音、震動)，請關閉馬達。請勿在確認並解決原因之前，貿然使用設備。
- 在放開油門扳機或關閉馬達後，鏈鋸仍會持續運轉一段時間。請勿衝促碰觸鏈鋸。
- 在引擎怠速運轉時，穿上雙肩背帶。
- 操作時，請使用雙肩背帶。請固定在右側操作設備。(圖 4)
- 無論您是左撇子或右撇子，請用左手握著前把手，然後用右手握著後手柄。請用手指與拇指握著把手周圍之處。
- 絕不可試著單手操作設備。失控時，可能會導致人員嚴重受傷或致命。為降低受傷危險，請讓自己的手腳遠離鋸片。
- 請勿伸得過長。隨時保持適當的立足點與平衡。請注意隱蔽的障礙物，例如樹樁、樹根及下水溝，以免絆倒。請清除掉落的樹枝及其他物體。
- 絕不可爬上梯子或樹上工作，以免失控。
- 若設備受到重重撞擊或落地，請在繼續工作之前檢查設備狀況。檢查燃油系統是否漏油，以及控制與安全裝置是否故障。若有任何損壞或懷疑，請洽詢Makita授權的服務中心進行檢驗與維修。
- 請勿碰觸變速器殼。變速器殼會在操作時變得非常燙。
- 請休息一會兒，避免應疲勞而導致失控。我們建議您每一小時休息 10至20分鐘。

- 離開設備時，即便是短時間離開，請務必關閉引擎或卸下電池盒。無人照顧設備，而讓引擎獨自運轉時，可能會被無授權的人員使用，並導致嚴重的意外事故。
- 請遵循動力裝置的說明手冊，以確保正確的使用控制桿與開關。
- 請留意環境。避免不必要的油門操作，減少污染與發出的噪音。請正確調整化油器。
- 操作時或操作後，請勿將高溫的設備放在乾草或可燃材料上。
- 右手不可舉高超過肩膀。
- 操作時，請勿用鏈鋸敲打如石頭與鐵釘的硬物。切斷牆邊、鐵絲網圍欄諸如此類物體旁的樹枝時，請特別小心。
- 若樹枝卡在組件內，務必停止馬達並卸下火星塞蓋或電池盒。否則不慎起動可能造成人員嚴重受傷。
- 若鏈鋸運轉變得不順暢，請務必在清潔前關閉馬達並卸下火星塞蓋或電池盒。
- 若在鏈鋸運轉不順暢時加速馬達運轉，將會增加負荷並使馬達及/或離合器損壞。
- 切斷大枝幹之前，躲避區應遠離掉落的大枝幹。首先請清空工作區域內的障礙物，例如大枝幹與樹枝。將所有工具與物品移至另一個安全之處。
- 切斷樹枝與大枝幹之前，請查看掉落方向，考量樹枝與大枝幹的狀況、鄰近樹木、風向等問題。請全神注意掉落方向，以及會打中地面而反彈的樹枝。
-  切勿以超過 60° 的角度握著高枝鏈鋸。否則掉落的物體會砸中操作人員，造成嚴重傷害。絕不可站在正在切斷之大枝幹的下方。
- 請注意斷掉或彎曲的樹枝。這類樹枝可能會在切斷時彈回，意外造成傷害。
- 切斷大枝幹之前，請先切除周圍的樹枝及樹葉。否則鏈鋸可能會卡在樹枝與樹葉之間。
- 為防止鏈鋸卡在切口中，請勿在將鏈鋸自切口拉出之前，放開油門桿。
- 若鏈鋸卡在切口內，請立即停止馬達，小心移動樹枝，張開切口，解開鏈鋸。
- 避免反彈（朝向操作人員的旋轉反作用力）。為避免反彈，切勿使用導板鼻端或穿過切斷。請隨時注意導板鼻端的位置。
- 請經常檢查鏈鋸張力。檢查或調整鏈鋸張力時，請關閉馬達並卸下火星塞蓋或電池盒。若張力鬆弛，請鎖緊。

## 振動

- 血液循環不佳的人若遭受過度震動，其血管或神經系統可能會受傷。震動可能會導致手指、手部或手腕發生以下症狀：「無知覺」（麻木）、發麻、疼痛、刺痛感，或皮膚膚色改變。若出現上述任何一種症狀，請就醫！
- 為減少發生「白指症」的風險，請在操作時保持雙手溫暖，並妥善保養設備與配件。

## 運送

- 運送設備之前，請關閉馬達並卸下火星塞蓋或電池盒。務必於運送時蓋上導板蓋。
- 運送設備時，請固定傳動軸，水平運送。身體請勿碰到高溫的消聲器。
- 用車輛運送設備時，請確實固定設備，以免翻倒。否則可能會濺出燃油，並損壞設備及行李。

## 保養


- 請交由授權的服務中心維修設備，請務必使用原廠更換零件。錯誤維修與未妥善保養會使設備壽命減短，並提高發生意外事故的風險。
- 進行任何保養或維修工作或清潔設備之前，請務必關閉馬達並卸下火星塞蓋或電池盒。請等候至馬達冷卻為止。
- 為減少起火的危險，絕不在有火之處的附近維修設備。
- 處理鏈鋸時，請務必穿上防護手套。
- 請務必清潔設備的灰塵及髒汗。勿使用石油、揮發油、稀釋劑、酒

- 酒精液體進行清潔。可能會導致塑膠零件褪色、變形或裂開。
- 每次使用後，除了調整螺之外，請鎖緊所有螺絲及螺帽。
- 請保持鋒利的鏈鋸。若鏈鋸變鈍，使切斷性能變差，請洽詢 Makita 授權服務中心磨利，或換新的鏈鋸。
- 請勿嘗試本手冊或動力裝置說明手冊未描述的任何保養或維修工作。請洽詢 Makita 授權的服務中心進行此類工作。
- 僅可使用 Makita 原廠備料及配件。使用第三方提供的零件或配件可能會使設備損壞、財產受損及/或嚴重受傷。
- 請洽詢 Makita 授權的服務中心定期檢驗與保養設備。

## 貯藏

- 貯藏設備之前，請徹底清潔與保養一番。安裝導板蓋。卸下火星塞蓋或電池盒。在引擎冷卻後排出燃油及鏈鋸油。
- 將設備貯藏在涼爽的高處，或是可上鎖遠離孩童的場所。
- 請勿將設備靠著如牆壁等物體斜放。否則設備可能突然掉落，而造成傷害。

## 急救

-  請務必在身旁備妥急救箱。請立即更換從急救箱拿出的任何物品。
- 求救時請提供以下資訊：
  - 事故地點
  - 事故說明
  - 受傷人數
  - 傷害性質
  - 您的姓名

## 組裝與調整

### ⚠ 警告：

- 組裝或調整設備之前，請關閉引擎並卸下火星塞蓋或電池盒。否則鏈鋸或其他零件可能會轉動，造成嚴重傷害。
- 處理鏈鋸或調整鏈鋸張力之前，請戴上防護手套。否則鏈鋸鋸齒會嚴重割傷赤祿的空手。
- 組裝或調整設備時，請務必放下設備。直立組裝或調整設備可能會造成嚴重傷害。
- 請遵循「安全注意事項」乙章內的警告事項與注意事項，以及動力裝置的說明手冊。

### 組裝組件 (圖 5)

依據以下步驟組裝組件。

1. 鬆開螺絲 (A) 與 (B)。
2. 將傳動軸插入變速器殼。確定插銷 (D) 在上。若難以完全插入，請手動旋轉傳動軸 (C)。
3. 將傳動軸上的插孔位置調整至螺絲孔 (B)。
4. 先鎖緊螺絲 (B)，再鎖緊螺絲 (A)。

### 將此組件安裝到動力裝置上 (圖 6)

要將此組件安裝到動力裝置時，請依照下列步驟。

1. 確認鎖定桿 (A) 未上緊。
2. 將插銷 (B) 對準箭頭標記 (C)。
3. 將傳動軸插入動力裝置的驅動傳動軸中，直到釋放按鈕 (D) 彈起。
4. 鎖緊鎖定桿 (A)，如圖所示。

要移除組件時，先鬆開鎖定桿，按下鎖定按鈕，抽出傳動軸。

注意：若組件的傳動軸未插入時請勿鎖緊鎖定桿 (A)。否則，鎖定桿可能將驅動傳動軸的入口處鎖太緊而將之損壞。

### 組裝鏈鋸與導板

⚠ 注意：請確定鏈鋸、導板及鏈輪的間距與節距皆相符。

依照以下步驟組裝鏈鋸與導板。(圖 7- 9)

1. 鬆開螺帽 (A) 並卸下導板座 (B)。
2. 逆時針旋轉張力螺絲 (C)，直到張力調整螺帽 (D) 接觸至左方頂端。

**注意：**請勿過度逆時針旋轉張力螺絲，否則張力螺絲與張力調整螺帽會從外殼脫落。

3. 將鏈鋸 (E) 裝入導板 (F) 的溝槽。從鼻端開始此作業。
4. 將定位螺栓 (G) 對齊導板 (H) 的凹槽，然後將鏈鋸 (E) 裝入鏈輪 (I)。確認鏈鋸在此作業過程中保持安裝於導板中。
5. 安裝導板 (F)，使張力調整螺帽 (D) 裝入導板上的孔 (J)。未使用孔 (K)。
6. 將鏈鋸妥善地放入導板的溝槽。若鏈鋸並未妥善地放入導板的溝槽，請將其調整並正確裝入。
7. 裝入導板座 (B) 並鎖緊螺帽 (A)。然後鬆開螺帽半圈，以作為鏈鋸張力調整之用。
8. 調整鏈鋸張力。請參閱「調整鏈鋸張力」乙節。

#### ⚠ 注意：

- 保持適當的鏈鋸張力。鬆弛的張力會使鏈鋸在操作時掉出軌道。(圖 10)

若要移除鏈鋸與導板，首先逆時針旋轉張力螺絲 (C)。將鏈鋸向外拉，使其由導板的溝槽移出，接著再將其由外殼移出。(圖 11)

## 調整鏈鋸張力

#### ⚠ 警告：

- 檢查或調整鏈鋸張力之前，請關閉馬達並卸下火星塞蓋或電池盒。
- 檢查或調整鏈鋸張力之前，請戴上防護手套。

#### ⚠ 注意：

- 請保持適當的鏈鋸張力。鬆弛的張力會使鏈鋸在操作時掉出。太緊的張力則會損壞鏈鋸或導板。
- 操作時，請經常檢查鏈鋸張力。鏈鋸會於操作時伸長，鬆動。使用新鏈鋸時，請更常調整張力。(圖 12)

請依照以下步驟調整鏈鋸張力。

1. 鬆開螺帽(A)半圈。
2. 向上握著導板鼻端。順時針調整張力調整螺 (B)，直至鏈鋸確實裝入導板下方為止。
3. 用手沿著導板拉動鏈鋸。若難以移動，請稍微逆時針旋轉張力調整螺，再從步驟2做起。
4. 確實鎖緊螺帽(A)。

## 為鏈鋸油箱加油

鏈鋸必須在操作時以鏈鋸油潤滑。

操作前，請為鏈鋸油箱加油。加油後，請確實鎖緊機油蓋。

僅可使用Makita原廠鏈鋸油。

**注意：**切勿使用廢油。廢油可能會損壞油泵。

操作時，請隨時注意鏈鋸油液位。鏈鋸油不足時，請加油。油箱會在約操作40分鐘後變空(視鏈鋸潤滑設定而定)。

## 調整鏈鋸油注油率 (圖 13、14)

可透過三個步驟調整鏈鋸油注油率。可依據操作方式調整注油率，例如切斷堅硬的大枝幹時。

請使用一字螺絲起子調整鏈鋸油注油率。推入調整螺，然後轉動調整螺。若要增加注油率，請以逆時針方向 (A) 轉動調整螺。若要減少注油率，請順時針方向 (B) 轉動調整螺。

調整鏈鋸油注油率後，請以中速運轉設備，檢查注油率。

## 檢查及保養

#### ⚠ 警告：

- 檢查或保養設備之前，請關閉馬達並卸下火星塞蓋或電池盒。否則鏈鋸或其他零件可能會轉動，造成嚴重傷害。
- 請在處理或修理鏈鋸之前，戴上防護手套。否則鏈鋸會嚴重割傷赤裸的空手。
- 檢查或保養設備時，請務必放下設備。直立組裝或調整設備可能會造成嚴重傷害。
- 請遵循「安全注意事項」乙章內的警告事項與注意事項，以及動力裝置的說明手冊。

## 清潔鏈鋸油注油口 (圖 15)

每日清潔鏈鋸油注油口(A)。若要清潔注油口，請卸下導板座與導板。

## 清潔與檢查導板 (圖 16)

每日清潔導板。清除溝槽 (A) 及注油口(B)內的髒污。為避免導板單面磨損，每次更換或磨利鏈鋸時，請換面。若溝槽磨損、彎曲或變形，請更換導板。

## 檢查鏈輪 (圖 17)

每使用50小時後檢查鏈輪是否磨損。若磨損痕跡達到 0.3 mm 或更深，請更換之。

## 檢查鏈鋸

當您感到鏈鋸磨損、變形或斷裂，或需要更費力進行切斷作業時，請更換鏈鋸，或洽詢 Makita 授權的服務中心磨利鏈鋸。

## 潤滑活動零件 (圖 18)

**注意：**請遵循提供的頻率與黃油量說明。否則潤滑不足可能會損壞活動零件。

變速器殼：

請於每操作25小時後，卸下黃油嘴 (A)，透過黃油孔 (B) 加入鋰基黃油。

傳動軸：

每操作25小時後，塗上黃油 (Shell Alvania No. 2 或同等級黃油)。

導板鼻端：

每操作10小時後，從黃油孔 (C) 塗上黃油 (Shell Alvania No. 2 或同等級黃油)。

## 整體檢查

- 鎖緊鬆動螺栓、螺帽及螺絲。
- 檢查損壞零件。請洽詢 Makita 授權的服務中心更換之。
- 檢查導板座。若出現裂縫或變形，請更換之。

## 貯藏

⚠ 警告：請遵循「安全注意事項」乙章內的警告事項與注意事項，以及動力裝置的說明手冊。

將高枝鏈鋸與動力裝置分開貯藏時，請將蓋子蓋上傳動軸的末端。(圖 19)

## 保養周期

操作時數		操作前	每日 (10 小時)	25 小時	50 小時	視需要	參考頁次
整組	目視檢查是否有損壞的零件	○					36
所有固定螺絲及螺帽	鎖緊	○					36
鏈鋸油注油口	清潔		○				36
導板	清潔溝槽及鏈鋸油注油口		○				36
	目視檢查		○				36
	注入黃油給鼻端		○				36
變速器殼	注入黃油			○		36	
傳動軸	注入黃油			○		36	
鏈輪	目視檢查				○	36	
鏈鋸	更換或要求磨利					○	36
動力裝置	請參閱動力裝置的說明手冊						

## 故障排除

問題	可能原因	解決方法
馬達未啟動。	請參閱動力裝置的說明手冊。	
馬達在起動後便立即停止。		
最大速度受到限制。		
鏈鋸未轉動。 → 立即停止馬達！	導板彎曲或損壞。	更換導板。
	鏈鋸卡到細枝。	清除異物。
	傳動系統未正常運作。	請洽詢 Makita 授權的服務中心檢查或維修。
主體異常震動。 → 立即停止馬達！	傳動系統未正常運作。	請洽詢 Makita 授權的服務中心檢查或維修。
鏈鋸未停止。 → 立即停止馬達！	動力裝置未正常運作。	請參閱動力裝置的說明手冊。
未注入鏈鋸油。	油箱是空的。	請將鏈鋸油加入油箱。
	鏈鋸油注油口髒污。	清潔主體與導板上的鏈鋸油注油口。
	鏈鋸油注油率的調整螺未正確設定。	請正確設定調整螺。

## 技術資料

型號		EY401MP
尺寸 (L x W x H)	mm	1,166 x 74 x 105
重量	kg	1.0
導板長度	mm	255 (10")
鏈鋸		91VXL-39E
鏈條間距	inch	0.050"
鏈輪齒數		7
鏈鋸油		Makita 原廠鏈鋸油
鏈鋸油泵		柱塞泵(自我潤滑類型)
鏈鋸油箱容量	ml	120
齒輪比 (加速)		0.94

서문

Makita 엔진용 체인톱대를 구입해 주셔서 대단히 감사합니다. 본 톱대는 본 사용 설명서에서 언급한 대로 Makita 동력 장치에 장착되도록 설계되었습니다. 사용하기 전에 본 책자와 동력 장치의 사용 설명서를 읽으시기 바랍니다. Makita 엔진용 체인톱대를 사용하여 최상의 결과를 얻는데 도움을 줄 것입니다.

목차	페이지
서문 .....	38
기호 .....	38
승인된 동력 장치 .....	38
부품 설명 .....	39
안전 주의 사항 .....	39
조립 및 조정 .....	40
검사 및 유지 관리 .....	41
보관 .....	41
유지 관리 일정 .....	42
문제해결 .....	42
기술 데이터 .....	42

기호

다음 기호는 톱대 및 본 사용 설명서에서 사용되고 있습니다. 이러한 기호의 정의를 숙지하십시오.



사용 설명서를 읽고 준수하십시오.



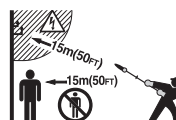
각별히 주의를 기울이십시오!



보호 헬멧, 눈 및 귀 보호 장구를 착용하십시오.



미끄럼 방지 바닥으로 된 견고한 장화를 신으십시오.



장비와 구경꾼 및/또는 전선 (접촉하고 있는 모든 나뭇가지 포함) 간에 최소 15 m (50 ft) 의 거리를 유지하십시오. 감전 및/또는 부상의 위험이 있습니다.



엔진용 체인톱 톱을 60도 이상의 각도로 잡지 마십시오.



체인 오일



응급 처치

승인된 동력 장치

이 톱대는 다음의 동력 장치와만 사용하도록 승인되었습니다.  
 EX2650LH 다목적 파워헤드  
 HXU01, HXU02, BUX360, BUX361, BUX362, UX360D,  
 UX361D, UX362D  
 충전 다목적 예초기

**⚠ 경고:** 승인되지 않은 동력 장치에 이 톱대를 절대로 사용하지 마십시오. 승인되지 않은 장치를 결합하면 중상을 입을 수 있습니다.

## 부품 설명 (그림 1)

아래의 번호는 그림을 참조하십시오

1. 샤프트
2. 기어 케이스
3. 오일 뚜껑
4. 오일 탱크
5. 바 홀더
6. 가이드 바
7. 톱 체인
8. 가이드 바 커버

## 안전 주의 사항

**⚠경고:** 본 책자와 동력 장치의 사용 설명서에 있는 모든 안전 경고와 모든 지침을 숙지하십시오. 경고 및 지침을 준수하지 않으면 감전 사고 또는 화재가 발생하거나 중상을 당할 수 있습니다.

모든 경고와 지침은 다음에 참고할 수 있도록 잘 보관해 두십시오. 경고 및 주의 사항에서 “엔진용 체인톱” 및 “장비” 라는 용어는 톱대와 동력 장치의 결합을 가리킵니다. 경고 및 주의 사항에서 “모터” 라는 용어는 동력 장치의 엔진 모터 또는 전동기를 가리킵니다.

### 용도

- 본 톱대는 승인된 동력 장치와 함께 직경 15 cm 미만의 나뭇가지와 큰 나뭇가지를 치는 용도로만 설계되었습니다. 본 톱대를 다른 용도로 사용하지 마십시오. 톱대를 오용하면 중상을 당할 수 있습니다.

### 일반 주의 사항

- 엔진용 체인톱을 시작하기 전에, 본 책자와 동력 장치의 사용 설명서를 숙지하여 엔진용 체인톱을 취급하는 데 익숙해 지도록 하십시오.
- 엔진용 체인톱 취급에 관하여 경험이나 지식이 충분하지 않은 사람에게 톱대를 빌려주지 마십시오.
- 톱대를 빌려줄 때는 항상 본 사용 설명서를 첨부하십시오.
- 어린이 또는 18 세 미만의 청소년이 엔진용 체인톱을 사용하도록 허가하지 마십시오. 엔진용 체인톱에서 멀리 떨어져 있도록 하십시오.
- 최대한 주의하여 엔진용 체인톱을 취급하십시오.
- 음주 또는 약을 복용한 후나 피곤하거나 아픈 경우, 엔진용 체인톱을 사용하지 마십시오.
- 절대로 톱대를 변경하려고 하지 마십시오.
- 국가 규정에서 본 장비의 사용을 제한할 수 있습니다. 사용하는 국가의 엔진용 체인톱과 체인 톱 취급에 관한 규정을 준수하십시오.

### 개인 보호 장비

- 안전 헬멧, 보호 안경 및 보호 장갑을 착용하여 날아 다니는 파편 또는 떨어지는 물체로부터 보호하십시오. (그림 2)
- 귀 마개 등의 귀 보호 장구를 착용하여 청력 손실을 방지하십시오.
- 작업 전체 및 견고한 미끄럼 방지 신발 등 안전한 작업을 위해 적합한 의류 및 신발을 신으십시오. 헐렁한 옷이나 장식이 달린 옷을 착용하지 마십시오. 헐렁한 옷이나 장식품 또는 긴 머리는 이동 부품에 걸 수도 있습니다.
- 톱 체인을 취급하거나 체인 장력을 조정할 때는 보호 장갑을 착용하십시오. 톱 체인이 맨손을 심각하게 벨 수 있습니다.

### 작업장 안전

- **⚠ 위험:** 엔진용 체인톱을 전선 및 통신 케이블로부터 15 m 떨어뜨리십시오 (접촉하는 모든 나뭇가지 포함). 엔진용 체인톱이 전압선을 건드리거나 근접하면 사망 또는 중상을 초래할 수 있습니다. 작동을 시작하기 전에 작업장 주변의 전선과 전봇대를 조심하십시오.
- 엔진용 체인톱은 시계가 좋은 일광 조건에서만 작업하십시오. 어둡거나 안개가 낀 곳에서는 엔진용 체인톱을 사용하지 마십시오.
- 환기가 잘 되는 실외에서만 엔진을 시동하고 작동하십시오. 좁고 사방이 막혔거나 환기가 잘 되지 않는 곳에서의 작동은 질식 또는 일산화탄소중독으로 인해 사망을 초래할 수 있습니다.
- 작동 시에는 불안정하거나 미끄러운 표면 또는 비탈진 경사면에서 있지 마십시오. 동절기에는 얼음과 눈에 주의하고 항상 안전한 발판을 확보하십시오.
- 작동 시 구경꾼이나 동물들이 엔진용 체인톱에서 최소 15 m

내에 있지 않도록 하십시오. 누군가가 접근하는 즉시 모터를 정지하십시오.

- 작업 전에 작업장의 철사 울타리, 벽 또는 기타 고체 물체가 있는지 조사하십시오. 톱 체인을 손상시킬 수 있습니다.
- **⚠ 경고:** 본 제품을 사용하면 호흡기 또는 기타 질환을 유발할 수 있는 화학물질이 포함되어 있는 먼지를 발생시킬 수 있습니다. 이러한 화학물질의 몇 가지 예는 농약, 살충제, 비료 및 제초제에서 발견할 수 있는 화합물입니다. 이러한 노출로 인한 위험은 이러한 유형의 작업을 얼마나 자주 하는가에 따라 다릅니다. 이러한 화학물질에 대한 노출을 줄이려면, 환기가 잘 되는 곳에서 작업하고 미세한 입자를 걸러 내도록 특별히 설계된 방진마스크 등 승인된 안전 장비를 갖추고 작업하십시오.

### 가동


- 장비를 조립하거나 조정하기 전에 모터 스위치를 끄고 점화 플러그 뚜껑 또는 배터리 카트리지를 제거하십시오.
- 톱 체인을 취급하거나 체인 장력을 조정하기 전에 보호 장갑을 착용하십시오.
- 모터를 시동하기 전에, 장비의 손상, 풀린 나사/너트 또는 잘못된 조립이 없는지 검사하십시오. 무딘 톱 체인을 날카롭게 만듭니다. 톱 체인이 휘었거나 손상된 경우, 교체하십시오. 모든 컨트를 레버 및 스위치가 쉽게 작동하는지 확인하십시오. 핸들을 청소하고 건조시킵니다.
- 장비가 손상되었거나 완전히 조립되지 않은 경우 모터를 시동하지 마십시오. 그렇지 않으면, 중상을 입을 수 있습니다.
- 어깨 벨트와 손잡이를 조정하여 작업자의 신체 크기에 맞춥니다.
- 체인 장력을 적절히 조정합니다. 필요할 경우, 체인 오일을 보충합니다.

### 모터 시동

- 모터를 시동하기 전에 개인 보호 장비를 착용합니다.
- 엔진은 연료 공급 지점에서 최소 3 미터 떨어진 곳에서 시동합니다.
- 모터를 시동하기 전에 작업장에 사람이거나 동물이 없는지 확인하십시오.
- 엔진을 켜거나 배터리 카트리지를 넣을 때, 톱 체인과 가이드 바가 사용자 신체 및 지면을 포함한 기타 물체에 닿지 않도록 하십시오. 시작할 때 톱 체인이 이동될 수 있으므로 중상을 초래하거나 톱 체인 및/또는 재산 손해를 입을 수 있습니다.
- 단단한 지면에 장비를 놓습니다. 균형을 잘 유지하고 발판을 확보합니다.
- 스타터 노브를 당길 때 왼손으로 지면에 대해 동력 장치를 단단히 잡습니다. 동력 장치의 구동축을 밟지 마십시오. (그림 3)
- 모터 시동 시 동력 장치의 사용 설명서를 준수하십시오.
- 공회전 및 맞물림 속도 간에 충분한 차이가 있는지 확인하여 엔진이 공회전하는 동안 톱대가 정지 상태에 있는지 확인하십시오.
- 톱 체인이 공회전하는 경우, 엔진을 멈추고 공회전 속도를 낮춥니다.

### 작동

- 응급 상황 시, 모터 스위치를 즉시 끄십시오.
- 작동 중에 상태가 비정상적이라고 느끼는 경우 (소음, 진동 등), 모터 스위치를 끄십시오. 원인이 파악되거나 해결될 때까지 장비를 사용하지 마십시오.
- 톱 체인은 조절판 트리거에서 손을 놓거나 모터 스위치를 끈 후 잠시 동안 계속 움직입니다. 톱 체인을 곧바로 만지지 마십시오.
- 구동 중인 엔진이 공전할 때에만 어깨 벨트를 착용하십시오.
- 작업하는 동안 어깨 벨트를 사용하십시오. 장비를 오른쪽에 단단히 잡으십시오. (그림 4)
- 사용자가 오른손잡이 또는 왼손잡이든 왼손으로는 앞쪽 핸들을 잡고 오른손으로는 뒤쪽 손잡이를 잡습니다. 손가락과 엄지로 핸들 주변을 둘러쌉니다.
- 한 손으로 장비를 작동하려고 하지 마십시오. 조절 불능으로 인해 중상 또는 치명상을 입을 수 있습니다. 부상의 위험을 줄이려면, 손과 발을 날로부터 멀리 두십시오.
- 지나치게 뻗어 닿으려고 하지 마십시오. 올바른 발판을 마련하고 항상 균형을 유지하십시오. 나무 그루터기, 뿌리 및 배수로 등 보이지 않는 장애물을 조심해서 발이 걸리지 않도록 하십시오. 떨어진 나뭇가지와 기타 물체들을 멀리 치우십시오.
- 통제가 불가능한 사다리 또는 나무 위에서 작업하지 마십시오.
- 장비가 큰 충격을 받거나 떨어진 경우, 작업을 계속하기 전에 상태를 확인하십시오. 연료 누출이 없는지 연료 계통 장치를 점검하고 컨트롤과 안전 장치에 고장이 없는지 점검하십시오. 손상이 있거나 의심되는 경우, Makita 공인 서비스 센터에 점검 및 수리를 요청하십시오.

- 기어 케이스를 만지지 마십시오. 작동 중에는 기어 케이스가 뜨거워집니다.
- 휴식을 취해 피로로 인한 조절 불능을 방지하십시오. 매 시간 10 ~ 20 분 휴식을 취할 것을 권장합니다.
- 잠깐 동안이라도 장비 결을 떠날 때는 항상 엔진 스위치를 끄거나 배터리 카트리지를 제거하십시오. 엔진을 끄지 않고 장비를 방치한 상태로 두면 승인을 받지 않은 사람이 사용하여 심각한 사고를 초래할 수 있습니다.
- 컨트롤 레버 및 스위치의 적절한 사용을 위해 동력 장치의 사용 설명서를 준수하십시오.
- 환경을 생각하십시오. 불필요한 조절판 작동을 자제하여 오염과 소음 배출을 줄이십시오. 기화기를 정확하게 조정하십시오.
- 작동 중 또는 작동 후에, 건조한 잔디 또는 가연성 물질 위에 뜨거운 장비를 내려 놓지 마십시오.
- 어깨 높이 위로 오른손을 잡지 마십시오.
- 작동 중에, 물과 뭇 등 딱딱한 물체 등에 톱 체인을 절대로 치지 마십시오. 담, 철사 울타리 등의 옆에서 나뭇가지를 자를 때는 각별히 주의하십시오.
- 나뭇가지가 톱대에 걸린 경우, 항상 모터를 정지하고 점화 플러그 뚜껑 또는 배터리 카트리지를 제거합니다. 그렇지 않으면 뜻하지 않은 시동으로 인해 중상을 입을 수 있습니다.
- 톱 체인이 막힌 경우, 청소하기 전에 항상 모터 스위치를 끄고 점화 플러그 뚜껑 또는 배터리 카트리지를 제거합니다.
- 톱 체인을 차단한 상태에서 모터를 가속하면 부하가 증가하여 모터 및/또는 클러치가 손상될 수 있습니다.
- 큰 나뭇가지를 자르기 전에, 도피 영역은 나뭇가지가 떨어지지 않는 곳으로 하십시오. 먼저, 큰 나뭇가지와 나뭇가지 등의 장애물을 작업장에서 치우십시오. 모든 도구와 물품을 도피 영역에서 다른 안전한 장소로 옮기십시오.
- 나뭇가지와 큰 나뭇가지를 자르기 전에, 나뭇가지와 큰 나뭇가지의 상태, 인접한 나무, 바람의 방향 등을 고려하면서, 나뭇가지가 떨어지는 방향을 확인하십시오. 떨어지는 방향과, 지면에 닿은 다음 나뭇가지가 튀어 오른다는 점을 각별히 주의하십시오.
-  엔진용 체인톱을 60 도 이상의 각도로 잡지 마십시오. 그렇지 않으면 떨어지는 물체가 작업자를 쳐서 중상을 입을 수 있습니다. 자르고 있는 큰 나뭇가지 아래에서 서 있지 마십시오.
- 부러지거나 휘 나뭇가지에 주의하십시오. 예기치 못한 부상을 초래하면서 절단 시 다시 될 수 있습니다.
- 자르려는 큰 나뭇가지를 자르기 전에, 주변의 나뭇가지와 나뭇잎을 제거하십시오. 그렇지 않으면 톱이 걸릴 수 있습니다.
- 톱이 쾨 자국에 걸리지 않도록 하려면, 톱을 쾨 자국에서 빼기 전에 조절판 레버를 풀지 마십시오.
- 톱 체인이 쾨 자국에 걸리려고 하면, 즉시 모터를 정지하고, 나뭇가지를 조심해서 이동해 쾨 자국을 열고 톱을 풀어 줍니다.
- 반동 (작업자 쪽으로 회전 작용하는 힘) 을 피하십시오. 반동을 방지하려면, 가이드 바 앞부분을 사용하거나 날카로운 절단을 사용하지 마십시오. 항상 가이드 바 앞부분의 위치에 대해 주의하십시오.
- 체인 장력을 자주 확인하십시오. 체인 장력을 검사하거나 조정할 때는 모터 스위치를 끄고 점화 플러그 뚜껑 또는 배터리 카트리지를 제거하십시오. 장력이 풀린 경우 조이십시오.

## 환기

- 과도한 진동에 노출되고 순환이 잘 안 되는 사람들은 혈관 또는 신경계 손상을 경험할 수도 있습니다. 환기는 다음과 같은 증상을 야기하여 손가락, 손 또는 손목에 “졸음” (감각을 잃음), 따끔거림, 통증, 쑤시는 느낌, 피부색 또는 피부 변화가 일어납니다. 이러한 증상이 일어나는 경우, 진찰을 받으십시오!
- “백랍병” 의 위험을 줄이려면, 작동 중에 손을 따뜻하게 유지하고 장비와 액세서리를 잘 유지 관리하십시오.

## 운반

- 장비를 운반하기 전에, 모터 스위치를 끄고 점화 플러그 뚜껑 또는 배터리 카트리지를 제거합니다. 운반할 때는 항상 가이드 바 커버를 장착하십시오.
- 장비를 운반할 때는, 샤프트를 잡고서 수평 위치로 나르십시오. 뜨거운 머플러는 사용자의 신체로부터 멀리 유지하십시오.
- 장비를 차량으로 운반할 때는 뒤집어지지 않도록 적절히 잡아매십시오. 그렇지 않으면 연료가 누출되고 장비 및 기타 짐이 손상될 수 있습니다.

## 유지 관리


- 당사의 공인 서비스 센터에서 장비를 정비하고, 항상 순정 교체 부품만 사용하십시오. 잘못된 수리 및 부적합한 유지 관리는 장비 수명을 단축할 수 있고 사고의 위험을 높일 수 있습니다.
- 장비를 유지 관리하거나 수리 작업 또는 청소하기 전에, 모터

- 스위치를 끄고 점화 플러그 뚜껑 또는 배터리 카트리지를 제거합니다. 모터가 식을 때까지 기다리십시오.
- 화재의 위험을 줄이려면, 불 근처에서 장비를 정비하지 마십시오.
- 항상 톱 체인을 취급할 때는 방호 장갑을 착용하십시오.
- 항상 장비의 먼지와 때를 청소하십시오. 청소 시 휘발유, 벤진, 시너, 알코올 또는 유사 제품 등을 사용하지 마십시오. 플라스틱 부품이 변색, 변형 또는 균열이 발생할 수 있습니다.
- 매번 사용 후에는 조정 나사를 제외한 모든 나사와 너트를 조입니다.
- 톱 체인을 날카롭게 유지합니다. 톱 체인이 무뎠거나 절삭력이 저하된 경우, Makita 공인 서비스 센터에 문의하여 날카롭게 하거나 새 것으로 교체하십시오.
- 본 책자 또는 동력 장치의 사용 설명서에 기술되어 있는 많은 모든 유지 관리 또는 수리를 시도하지 마십시오. 그러한 작업은 Makita 공인 서비스 센터에 문의하십시오.
- 항상 Makita 순정 예비품 및 액세서리만 사용하십시오. 타사의 부품 또는 액세서리를 사용하면 장비 고장, 재산 손해 및/또는 중상을 초래할 수 있습니다.
- Makita 공인 서비스 센터에 요청하여 장비를 정기적으로 검사하고 유지 관리하십시오.

## 보관

- 장비를 보관하기 전에 청소와 유지관리를 모두 수행하십시오. 가이드 바 커버를 장착합니다. 점화 플러그 뚜껑 또는 배터리 카트리지를 제거합니다. 엔진이 식은 후에 연료와 체인 오일을 비우십시오.
- 장비는 어린이의 손이 닿지 않는 건조하고 높거나 자물쇠가 달린 장소에 보관하십시오.
- 벽과 같은 무언가에 기대어 세워 놓지 마십시오. 그렇지 않으면 갑자기 떨어져 부상을 입을 수 있습니다.

## 응급 처치

-  항상 구급상자를 근처에 두십시오. 구급상자에서 사용한 항목은 즉시 교체해 두십시오.
- 도움 요청 시에는 다음의 정보를 제공하십시오.
  - 사고 장소
  - 사고 유형
  - 부상당한 사람 수
  - 부상의 유형
  - 도움 요청자 이름

## 조립 및 조정

### ⚠ 경고:

- 장비를 조립하거나 조정하기 전에 엔진 스위치를 끄고 점화 플러그 뚜껑 또는 배터리 카트리지를 제거하십시오. 그렇지 않으면, 톱 체인 또는 기타 부품이 움직여서 중상을 입을 수 있습니다.
- 톱 체인을 취급하거나 체인 장력을 조정하기 전에 보호 장갑을 착용하십시오. 그렇지 않으면 톱 체인이 맨손을 심각하게 벨 수 있습니다.
- 장비를 조립하거나 조정할 때는 항상 내려 놓으십시오. 장비를 수직 위치로 놓고 조립하거나 조정하면 심각한 부상을 입을 수 있습니다.
- “안전 주의 사항” 장과 동력 장치의 사용 설명서에 있는 경고와 주의 사항을 준수하십시오.

### 톱대 장착 (그림 5)

다음 순서대로 톱대를 조립합니다.

1. 나사 (A) 와 (B) 를 풀니다.
2. 샤프트를 기어 케이스에 끼웁니다. 핀 (D) 이 랜참은지 확인하십시오. 완전히 삽입하기 어려운 경우, 구동축 (C) 을 수동으로 돌립니다.
3. 샤프트의 구멍 위치를 나사 구멍 (B) 에 맞게 조정합니다.
4. 먼저 나사 (B) 를 조인 다음 나사 (A) 를 조입니다.

### 톱대를 동력 장치에 장착 (그림 6)

톱대를 동력 장치에 장착하려면 아래의 단계를 따르십시오.

1. 잠금 레버 (A) 가 조여지지 않았는지 확인하십시오.
2. 핀 (B) 을 화살표 표시 (C) 에 맞추어 조정합니다.
3. 해제 버튼 (D) 이 툭 튀어나올 때까지 동력 장치의 구동축에 샤프트를 끼워 넣습니다.
4. 그림과 같이 잠금 레버 (A) 를 단단히 조입니다.



톱대를 제거하려면, 잠금 레버를 풀고, 잠금 버튼을 눌러 샤프트를 집어 넣습니다.  
**참고:** 톱대의 샤프트를 넣지 않은 상태에서 잠금 레버 (A) 를 조이지 마십시오. 그렇지 않으면 잠금 레버가 구동축의 입구를 너무 많이 조여서 손상시킬 수 있습니다.

### 톱 체인 및 가이드 바 조립

**⚠ 주의:** 톱 체인, 가이드 바와 톱니의 치수 및 높이가 서로 맞는지 확인하십시오.

톱 체인과 가이드 바를 다음 순서대로 조립합니다. (그림 7- 9)

1. 너트 (A) 를 풀고 바 홀더 (B) 를 제거합니다.
  2. 장력 너트 (D) 가 왼쪽 끝에 닿을 때까지 조임 나사 (C) 를 시계 반대 방향으로 돌립니다.
- 참고:** 조임 나사를 시계 반대 방향으로 너무 많이 돌리지 마십시오. 그렇지 않으면, 조임 나사와 장력 너트가 하우징에서 떨어져 나갑니다.
3. 톱 체인 (E) 을 가이드 바 (F) 홈에 끼웁니다. 바 앞부분에서 절차를 시작합니다.
  4. 위치 볼트 (G) 를 가이드 바 (H) 의 표시에 맞춘 다음, 톱 체인 (E) 을 톱니 (I) 에 장착합니다. 장착하는 동안 톱 체인이 가이드 바에 잘 장착되고 있는지 확인하십시오.
  5. 장력 너트 (D) 가 가이드 바의 구멍 (J) 에 장착되도록 가이드 바 (F) 를 설치합니다. 구멍 (K) 을 사용하십시오.
  6. 톱 체인을 가이드 바의 홈에 올바르게 놓습니다. 이 때 톱 체인이 가이드 바의 홈에 제대로 놓이지 않을 경우, 알맞게 조정 및 장착합니다.
  7. 바 홀더 (B) 를 장착하고 너트 (A) 를 단단히 조입니다. 그런 다음 체인 장력 조정의 설명대로 너트를 반 바퀴 풀니다.
  8. 체인 장력을 조정합니다. “체인 장력 조정” 단원을 참조하십시오.

**⚠ 주의:**

- 해당되는 체인 장력을 유지하십시오. 장력이 풀리면 톱 체인이 탈선할 수 있습니다. (그림 10)
- 톱 체인과 가이드 바를 제거하려면, 먼저 조임 나사 (C) 를 시계 반대 방향으로 돌립니다.  
 톱 체인을 바깥쪽으로 당겨 톱 체인이 가이드 바의 홈에서 나오게 한 다음 하우징에서 제거합니다. (그림 11)

### 체인 장력 조정

**⚠ 경고:**

- 체인 장력을 검사하거나 조정하기 전에 모터 스위치를 끄고 점화 플러그 뚜껑 또는 배터리 카트리지를 제거하십시오.
- 검사 또는 체인 장력을 조정하기 전에 보호 장갑을 착용하십시오.

**⚠ 주의:**

- 적절한 체인 장력을 유지하십시오. 장력이 풀리면 톱 체인이 작업 중에 떨어질 수 있습니다. 장력이 너무 강하면 톱 체인 또는 가이드 바가 손상될 수 있습니다.
- 작업 중에 체인 장력을 자주 확인하십시오. 작업 중에 톱 체인이 늘어져 풀리게 됩니다. 새 톱 체인을 사용할 때는 장력을 더 자주 조정하십시오. (그림 12)

다음 순서대로 체인 장력을 조정합니다.

1. 너트 (A) 를 반회전 풀니다.
2. 바 앞부분을 위로 잡습니다. 톱 체인이 가이드 바의 아래쪽에 편안히 장착될 때까지 조임 나사 (B) 를 시계 방향으로 돌립니다.
3. 손으로 가이드 바에 따라 톱 체인을 당깁니다. 움직이기 힘든 경우, 조임 나사를 시계 반대 방향으로 약간 돌리고 2 단계를 다시 시도하십시오.
4. 너트 (A) 를 단단히 조입니다.

### 체인 오일 탱크 보충

톱 체인은 사용 중에 체인 오일로 윤활해야 합니다. 사용하기 전에, 체인 오일 탱크를 보충합니다. 오일을 공급한 후에 오일 뚜껑을 단단히 조입니다.

Makita 순정 체인 오일만 사용하십시오.  
**참고:** 페유를 사용하지 마십시오. 오일 펌프를 손상시킬 수 있습니다.

작업 중에, 항상 오일 양에 대해 주의하십시오. 오일 양이 부족한 경우 탱크를 보충하십시오. 탱크는 작동한지 약 40 분 내에 비게 됩니다 (체인 윤활 설정에 따라 다름).

### 체인 오일 공급량 조정 (그림 13 및 14)

체인 오일 공급량은 세 단계로 조절할 수 있습니다. 작업에 따라, 예를 들어, 단단한 큰 나뭇가지 절단 시에는 공급량을 조절하십시오.

체인 오일 공급량을 조절하려면, 일자 드라이버를 사용합니다.

조정 나사에 밀어 넣고 원하는 공급량 위치까지 돌립니다. 공급량을 늘리려면 조정 나사를 시계 반대 방향 (A) 으로 돌리고, 공급량을 줄이려면 시계 방향 (B) 으로 돌리십시오.  
 체인 오일 공급량을 조정한 후, 장비를 중간 속도로 운전하여 공급량을 확인하십시오.

## 검사 및 유지 관리

**⚠ 경고:**

- 장비를 검사하거나 유지보수하기 전에 모터 스위치를 끄고 점화 플러그 뚜껑 또는 배터리 카트리지를 제거하십시오. 그렇지 않으면, 톱 체인 또는 기타 부품이 움직여서 충상을 입을 수 있습니다.
- 톱 체인을 취급하거나 주변에서 작업하기 전에 보호 장갑을 착용하십시오. 그렇지 않으면 톱 체인이 맨손을 심각하게 벨 수 있습니다.
- 장비를 검사하거나 유지 관리할 때는 항상 내려 놓으십시오. 장비를 수직 위치로 놓고 조립하거나 조정하면 심각한 부상을 입을 수 있습니다.
- “안전 주의 사항” 장과 동력 장치의 사용 설명서에 있는 경고와 주의 사항을 준수하십시오.

### 체인 오일 공급 포트 청소 (그림 15)

체인 오일 공급 포트 (A) 를 매일 청소합니다. 접근하려면 바 홀더와 가이드 바를 제거합니다.

### 가이드 바 청소 및 검사 (그림 16)

가이드 바를 매일 청소합니다. 홈 (A) 과 체인 오일 공급 포트 (B) 에서 톱 먼지를 제거합니다.  
 가이드 바의 한 쪽 마모를 방지하려면, 톱 체인을 교체하거나 날카롭게 할 때마다 뒤집으십시오.  
 홈이 마모되고, 휘어지거나 변형된 경우, 가이드 바를 교체합니다.

### 톱니 검사 (그림 17)

매 사용 50 시간마다 톱니를 검사하십시오. 마모 표시가 0.3 mm 이상 깊어지면 교체합니다.

### 톱 체인 검사

톱 체인이 마모되었거나, 변형되었거나, 균열이 생겼다고 느끼거나 절단 시 더 많은 힘이 필요한 경우, 교체하거나 Makita 공인 서비스 센터에 요청하여 날카롭게 만드십시오.

### 움직이는 부품 윤활 (그림 18)

**참고:** 제공된 윤활유의 빈도 및 양에 대한 지침을 따르십시오. 그렇지 않으면 불충분한 윤활로 인해 움직이는 부품이 손상될 수 있습니다.

기어 케이스:

그리스 플러그 (A) 를 제거하고 작업 매 25 시간마다 구멍 (B) 을 통해 리튬 기반 그리스를 채웁니다.

구동축:

작업 매 25 시간마다 윤활합니다 (Shell Alvania No. 2 또는 이에 동일한 양).

가이드 바 앞부분:

작업 매 10 시간마다 윤활 구멍 (C) 에서 윤활합니다 (Shell Alvania No. 2 또는 이에 동일한 양).

### 종합 검사

- 볼트, 너트 및 나사를 조입니다.
- 손상된 부품을 확인하십시오. Makita 공인 서비스 센터에 요청하여 교체하십시오.
- 바 홀더를 확인합니다. 균열 또는 변형이 발생한 경우, 교체하십시오.

## 보관

**⚠ 경고:** “안전 주의 사항” 장과 동력 장치의 사용 설명서에 있는 경고와 주의 사항을 준수하십시오.

동력 장치에서 분리한 엔진용 체인톱대를 보관할 때는 샤프트 끝의 뚜껑을 닫으십시오. (그림 19)

## 유지 관리 일정

작동 시간		작동 전에	매일 (10 시간)	25 시간	50 시간	필요할 경우	해당 페이지
전체 장치	손상된 부품에 대한 육안 검사	○					41
모든 고정 나사 및 너트	조임	○					41
체인 오일 공급 포트	청소		○				41
가이드 바	흙과 체인 오일 공급 포트를 청소합니다		○				41
	육안 검사		○				41
	앞부분에 윤활		○				41
기어 케이스	윤활			○		41	
구동축	윤활			○		41	
톱니	육안 검사				○	41	
톱 체인	교체 또는 연마 요청					○	41
동력 장치	동력 장치의 사용 설명서를 참조하십시오						

## 문제해결

문제	예상 원인	해결
모터가 시동되지 않는다.	동력 장치의 사용 설명서를 참조하십시오.	
시동 후 즉시 모터가 정지한다.		
최대 속도는 제한되어 있습니다.		
톱 체인이 움직이지 않는다. ➔ 즉시 모터를 정지하십시오!	가이드 바가 휘었거나 손상되었습니다.	가이드 바를 교체하십시오.
	잔가지가 톱 체인에 끼어 있습니다.	이물질을 제거하십시오.
	구동 시스템이 제대로 작동하지 않습니다.	Makita 공인 서비스 센터에 문의하여 검사하고 교체하십시오.
장치가 비정상적으로 진동한다. ➔ 즉시 모터를 정지하십시오!	구동 시스템이 제대로 작동하지 않습니다.	Makita 공인 서비스 센터에 문의하여 검사하고 교체하십시오.
톱 체인이 정지하지 않는다. ➔ 즉시 모터를 정지하십시오!	동력 장치가 제대로 작동하지 않습니다.	동력 장치의 사용 설명서를 참조하십시오.
체인 오일이 공급되지 않는다.	오일 탱크가 비어 있습니다.	오일 탱크를 체인 오일로 보충하십시오.
	체인 오일 공급 포트가 더럽습니다.	장치와 가이드 바의 체인 오일 공급 포트를 청소하십시오.
	체인 오일 공급량 조정 나사가 잘못 설정되어 있습니다.	조정 나사를 올바르게 설정하십시오.

## 기술 데이터

모델	EY401MP	
크기 (L x W x H)	mm	1,166 x 74 x 105
중량	kg	1.0
가이드 바 길이	mm	255 (10" )
톱 체인	91VXL-39E	
체인 게이지	인치	0.050"
톱니 수	7	
체인 오일	Makita 순정 체인 오일	
체인 오일 펌프	플런저 펌프 (자동 윤활 유형)	
체인 오일 탱크 용량	ml	120
기어비 (속도 증가)	0.94	

## Kata Pengantar

Terima kasih telah membeli alat tambahan gergaji galah Makita. Alat tambahan ini dirancang untuk dipasang pada unit penggerak Makita yang disebutkan dalam petunjuk penggunaan ini. Sebelum menggunakan, bacalah buklet ini dan petunjuk penggunaan unit penggerak. Keduanya akan membantu Anda mendapatkan hasil maksimal dari alat tambahan gergaji galah Makita Anda.

Daftar Isi	Halaman
Kata Pengantar.....	43
Simbol-simbol .....	43
Unit penggerak yang disetujui .....	43
Deskripsi komponen .....	44
Petunjuk keselamatan .....	44
Perakitan dan penyetelan.....	46
Pemeriksaan dan pemeliharaan.....	47
Penyimpanan.....	47
Jadwal pemeliharaan.....	48
Menyelesaikan Masalah.....	48
Data teknis.....	48

## Simbol-simbol

Simbol-simbol berikut ini digunakan pada alat tambahan dan petunjuk penggunaan ini. Pahami definisi-definisi ini.



Baca dan ikutilah petunjuk penggunaan.



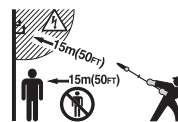
Perhatikan dan berhati-hatilah!



Kenakan helm pengaman, pelindung mata, dan pelindung telinga.



Kenakan sepatu yang kuat dengan sol antiselip.



Jagalah jarak paling tidak 15 m (50 kaki) antara alat dan orang lain dan/atau kawat listrik (termasuk cabang pohon yang menyentuhnya). Risiko tersengat listrik dan/atau cedera badan.



Jangan sekali-kali memegang gergaji galah pada sudut lebih dari 60°.



Oli rantai



Pertolongan Pertama

## Unit penggerak yang disetujui

Alat tambahan ini disetujui untuk digunakan hanya dengan unit penggerak berikut ini:

**EX2650LH Mesin Penggerak Multifungsi  
HXU01, HXU02, BUX360, BUX361, BUX362, UX360D,  
UX361D, UX362D**

**Mesin Penggerak Multifungsi Nirkabel**

**⚠ PERINGATAN:** Jangan sekali-kali menggunakan alat tambahan ini dengan unit penggerak yang tidak disetujui. Kombinasi yang tidak disetujui dapat menyebabkan cedera serius.

## Deskripsi komponen (Gb. 1)

Angka-angka di bawah ini mengacu pada gambar

1. Poros
2. Kotak Gir
3. Tutup oli
4. Tangki oli
5. Penahan bilah
6. Bilah pemandu
7. Rantai gergaji
8. Penutup bilah pemandu

## Petunjuk keselamatan

**⚠ PERINGATAN:** Bacalah semua peringatan dan petunjuk dalam buklet ini dan dalam petunjuk penggunaan unit penggerak. Kelalaian mematuhi peringatan dan petunjuk dapat menyebabkan sengatan listrik, kebakaran dan/atau cedera serius.

**Simpanlah semua peringatan dan petunjuk untuk acuan di masa mendatang.**

Istilah “gergaji galah” dan “alat” dalam peringatan dan petunjuk keselamatan mengacu pada kombinasi alat tambahan dan unit penggerak.

Istilah “motor” dalam peringatan dan petunjuk keselamatan mengacu pada mesin atau motor listrik unit penggerak.

## Maksud penggunaan

- Alat tambahan ini dirancang hanya dengan maksud untuk memangkas cabang dan dahan dengan diameter kurang dari 15 cm bersama dengan unit penggerak yang disetujui. Jangan sekali-kali menggunakan alat tambahan ini untuk tujuan lain. Menyalahgunakan alat tambahan dapat menyebabkan cedera serius.

## Langkah pengamanan umum

- Sebelum menghidupkan gergaji galah, bacalah buklet ini dan petunjuk penggunaan unit penggerak untuk membiasakan diri dengan penanganan gergaji galah.
- Jangan meminjamkan alat tambahan ini kepada orang yang kurang pengalaman atau pengetahuan tentang penanganan gergaji galah.
- Saat meminjamkan alat tambahan, selalu serahkan juga petunjuk penggunaan ini.
- Jangan izinkan anak-anak atau orang muda yang berusia kurang dari 18 tahun menggunakan gergaji galah ini. Jauhkan mereka dari gergaji galah.
- Tangani gergaji galah dengan kehati-hatian dan perhatian maksimal.
- Jangan sekali-kali menggunakan gergaji galah setelah mengonsumsi alkohol atau obat, atau jika merasa lelah atau sakit.
- Jangan sekali-kali mencoba memodifikasi alat tambahan ini.
- Peraturan nasional dapat membatasi penggunaan alat ini. Patuhilah peraturan tentang penanganan gergaji galah dan gergaji rantai di negara Anda.

## Alat pelindung diri

- Kenakan helm pengaman, kacamata pelindung, dan sarung tangan pelindung untuk melindungi diri Anda dari serpihan yang beterbangan atau benda yang jatuh. **(Gb. 2)**
- Kenakan pelindung telinga seperti penutup telinga untuk mencegah gangguan pendengaran.
- Kenakan pakaian dan sepatu yang sesuai untuk penggunaan yang aman, seperti pakaian kerja terusan dan sepatu antiselip yang kuat. Jangan mengenakan pakaian yang kedodoran atau perhiasan. Pakaian kedodoran, perhiasan, atau rambut panjang dapat tersangkut pada bagian yang bergerak.
- Saat menangani rantai gergaji atau menyetel ketegangan rantai, kenakan sarung tangan pelindung. Rantai gergaji dapat melukai tangan telanjang dengan sangat parah.

## Keselamatan tempat kerja

- **⚠ Bahaya:** Jauhkan gergaji galah paling tidak 15 m dari kawat listrik dan kabel komunikasi (termasuk cabang yang menyentuhnya). Menyentuh atau mendekati saluran listrik tegangan tinggi dengan gergaji galah dapat mengakibatkan kematian atau cedera serius. Perhatikan adanya saluran/kawat listrik dan pagar beraliran listrik di sekitar tempat kerja sebelum mulai mengoperasikan alat.
- Operasikan gergaji galah hanya dalam kondisi pandangan dan sinar matahari yang baik. Jangan mengoperasikan gergaji galah dalam kegelapan atau kondisi berkabut.
- Starter dan operasikan mesinnya hanya di luar ruangan dan di tempat yang berventilasi baik. Pengoperasian di tempat yang tertutup atau berventilasi buruk dapat mengakibatkan kematian akibat kehabisan napas atau keracunan karbon monoksida.
- Selama mengoperasikan, jangan sekali-kali berdiri di atas permukaan yang tidak stabil atau licin atau di lereng yang curam. Dalam musim dingin, awaslah terhadap es dan salju dan selalu pastikan pijakan yang aman.
- Selama mengoperasikan, jauhkan orang lain atau binatang paling tidak 15 m dari gergaji galah. Hentikan motor segera bila ada orang yang mendekat.
- Sebelum mengoperasikan, periksa tempat kerja dari adanya pagar kawat, dinding, atau benda padat lainnya. Benda-benda ini dapat merusak rantai gergaji.
- **⚠ PERINGATAN:** Penggunaan produk ini dapat menimbulkan debu yang mengandung bahan kimia, yang dapat menyebabkan penyakit pernapasan atau penyakit lainnya. Beberapa contoh bahan kimia ini adalah senyawa yang ada dalam pestisida, insektisida, pupuk, dan herbisida. Risiko Anda terkena keterpaparan ini berbeda-beda, tergantung pada seberapa sering Anda melakukan jenis pekerjaan ini. Untuk mengurangi keterpaparan Anda terhadap bahan-bahan kimia ini: bekerjalah di tempat yang berventilasi baik, dan dengan menggunakan peralatan keselamatan yang disetujui, seperti masker debu yang secara khusus dirancang untuk menyaring partikel mikroskopis.

## Mengoperasikan


- Sebelum merakit atau menyetel alat, matikan motor dan lepaskan cop busi atau kartrid baterainya.
- Sebelum menangani rantai gergaji atau menyetel ketegangan rantai, kenakan sarung tangan pelindung.
- Sebelum menghidupkan motor, periksa alat dari kerusakan, sekrup/mur yang kendur atau perakitan yang tidak benar. Asahlah rantai gergaji yang tumpul. Jika rantai gergaji tertekuk/bengkok atau rusak, gantilah. Periksa apakah semua tuas pengendali dan sakelar dapat dengan mudah dioperasikan. Bersihkan dan keringkan semua gagang.
- Jangan sekali-kali mencoba menghidupkan motor jika alat rusak atau belum dirakit lengkap. Ini dapat mengakibatkan cedera serius.
- Setel tali bahu dan pegangan tangan sesuai dengan ukuran tubuh operator.
- Setel ketegangan rantai dengan tepat. Isikan oli rantai, jika perlu.

## Menghidupkan motor

- Kenakan alat pelindung diri sebelum menghidupkan motor.
- Hidupkan mesin paling tidak 3 meter (10 kaki) dari tempat pengisian bahan bakar.
- Sebelum menghidupkan motor, pastikan tidak ada orang atau binatang di tempat kerja.
- Saat menghidupkan mesin atau memasukkan kartrid baterai, jauhkan rantai gergaji dan bilah pemandu dari tubuh Anda dan benda lain, termasuk tanah. Rantai gergaji dapat bergerak saat mesin dihidupkan/distarter dan dapat menyebabkan cedera serius atau merusak rantai gergaji dan/atau harta benda.
- Tempatkan alat di atas tanah yang stabil. Pertahankan keseimbangan yang baik dan pijakan yang aman.
- Saat menarik kenop starter, tahan unit penggerak kuat-kuat di atas tanah dengan tangan kiri. Jangan sekali-kali menginjak poros penggerak unit penggerak. **(Gb. 3)**
- Ikuti petunjuk penggunaan unit penggerak untuk menghidupkan motor.
- Pastikan ada perbedaan yang cukup antara kecepatan stasioner dan kecepatan kerja guna memastikan bahwa alat tambahan diam tak bergerak saat mesin stasioner (jika perlu, kurangi kecepatan stasioner).

- Jika rantai gergaji ikut bergerak saat mesin berjalan stasioner, matikan mesin dan turunkan kecepatan stasioner.

## Pengoperasian

- Apabila terjadi keadaan darurat, matikan motor dengan segera.
- Jika Anda merasakan kondisi yang tidak biasa (misalnya kebisingan, getaran) selama mengoperasikan, matikan motor. Jangan gunakan alat sampai penyebabnya diketahui dan dibereskan.
- Rantai gergaji akan terus bergerak selama beberapa saat setelah picu gas dilepas atau motor dimatikan. Jangan tergesa-gesa menyentuh rantai gergaji.
- Dengan mesin hanya berjalan stasioner, pasang tali bahu.
- Selama mengoperasikan, gunakan tali bahu. Pertahankan alat di sisi kanan Anda kuat-kuat. **(Gb. 4)**
- Pegang gagang depan dengan tangan kiri dan pegangan belakang dengan tangan kanan, entah Anda bertangan normal ataupun kidal. Lingkarkan jari-jari dan ibu jari Anda pada gagang.
- Jangan sekali-kali mencoba mengoperasikan alat dengan satu tangan. Kehilangan kendali dapat mengakibatkan cedera serius atau fatal. Untuk mengurangi risiko cedera, selalu jauhkan tangan dan kaki dari mata gergaji.
- Jangan meraih terlalu jauh. Pertahankan pijakan dan keseimbangan yang baik setiap saat. Awaslah terhadap rintangan tersembunyi seperti tunggak pohon, akar, dan selokan agar Anda tidak terjatuh. Bersihkan cabang-cabang yang jatuh dan benda-benda lain.
- Jangan sekali-kali bekerja di atas tangga atau pohon untuk menghindari kehilangan kendali.
- Jika alat terkena benturan keras atau terjatuh, periksa kondisinya sebelum melanjutkan bekerja. Periksa sistem bahan bakar dari kebocoran dan tuas-tuas pengendali serta perangkat pengaman dari malfungsi. Jika ada kerusakan atau Anda ragu-ragu, mintalah pusat servis resmi Makita memeriksa dan memperbaikinya.
- Jangan menyentuh kotak gir. Gir menjadi panas selama alat dioperasikan.
- Beristirahatlah untuk mencegah kehilangan kendali akibat kelelahan. Kami menganjurkan istirahat selama 10 sampai 20 menit setiap satu jam bekerja.
- Bila Anda meninggalkan alat, meskipun untuk waktu yang singkat, selalu matikan mesinnya atau lepaskan kartrid baterainya. Alat yang tidak ditunggu dengan mesin berjalan dapat digunakan oleh orang yang tidak berwenang dan menyebabkan kecelakaan serius.
- Ikuti petunjuk penggunaan unit penggerak untuk penggunaan tuas pengendali dan sakelar yang benar.
- Perhatikan lingkungan dengan baik. Hindari pembukaan gas yang tidak perlu untuk mengurangi polusi dan emisi kebisingan. Setel karburator dengan tepat.
- Selama atau setelah dioperasikan, jangan letakkan alat yang panas di atas rumput kering atau bahan mudah terbakar.
- Jangan menahan tangan kanan Anda pada ketinggian di atas bahu.
- Selama mengoperasikan, jangan sekali-kali menghantamkan rantai gergaji pada benda keras seperti batu dan paku. Ekstra hati-hatilah saat memotong cabang yang berada di dekat dinding, pagar kawat, atau benda semacamnya.
- Jika ada cabang yang tersangkut pada alat tambahan ini, selalu matikan motor dan lepaskan cop busi atau kartrid baterainya. Jika tidak, mesin dapat terhidupkan secara tak disengaja dan menyebabkan cedera serius.
- Jika rantai gergaji tertutup kotoran, selalu matikan motor dan lepaskan cop busi atau kartrid baterai sebelum membersihkannya.
- Mempercepat motor pada saat rantai gergaji terblokir/terhalang akan meningkatkan beban dan merusak motor dan/atau kopling.
- Sebelum memotong dahan, sediakan tempat aman untuk menjauhkan diri dari dahan yang jatuh. Pertama, bersihkan semua halangan seperti dahan dan cabang dari tempat kerja. Pindahkan semua alat dan barang dari tempat aman ke tempat lain yang aman.
- Sebelum memotong cabang dan dahan, periksa arah jatuhnya, dengan mempertimbangkan kondisi cabang dan dahan, pohon-pohon di sekitarnya, arah angin, dll. Perhatikan sepenuhnya arah jatuhnya, dan arah pantulan cabang, setelah menghantam tanah.
-  Jangan sekali-kali memegang gergaji galah pada sudut lebih dari 60°. Jika tidak, benda yang jatuh dapat mengenai operator dan menyebabkan cedera serius. Jangan sekali-kali berdiri di bawah dahan yang sedang dipotong.

- Perhatikanlah cabang-cabang yang patah atau bengkok. Cabang seperti ini dapat melenting saat dipotong, sehingga menyebabkan cedera tak terduga.
- Sebelum memotong dahan yang Anda inginkan, buang cabang-cabang dan daun di sekitarnya. Bila tidak, gergaji dapat tersangkut di antaranya.
- Untuk mencegah gergaji tersangkut di dalam irisan gergajian, jangan lepaskan tuas gas sebelum menarik gergaji keluar dari dalamnya.
- Jika rantai gergaji terjepit di dalam irisan gergajian, segera matikan motor, dengan hati-hati gerakan cabang untuk membuka irisan dan membebaskan gergaji.
- Hindari tendang-balik (gaya reaktif putar ke arah operator). Untuk mencegah tendang-balik, jangan sekali-kali menggunakan hidung bilah pemandu atau melakukan pemotongan menembus. Selalu ketahui posisi hidung bilah pemandu.
- Periksa ketegangan rantai sering-sering. Saat memeriksa atau menyetel ketegangan rantai, matikan motor dan lepaskan cop busi atau kartrid baterainya. Jika ketegangan kurang, kencangkanlah.

## Getaran

- Orang dengan kondisi sirkulasi kurang yang terpapar pada getaran berlebihan dapat mengalami cedera pada pembuluh darah atau sistem syarafnya. Getaran dapat menyebabkan timbulnya gejala-gejala berikut ini pada jari, tangan, atau pergelangan tangan: "Mati rasa" (baal), kesemutan, nyeri, rasa seperti tertusuk, perubahan kulit atau warna kulit. Jika ada di antara gejala ini yang timbul, hubungi dokter!
- Untuk mengurangi risiko "white finger disease" (penyakit jari putih), jaga tangan Anda selalu hangat saat mengoperasikan alat dan rawat alat serta aksesorinya dengan baik.

## Pengangkutan

- Sebelum mengangkut alat, matikan motor dan lepaskan cop busi atau kartrid baterainya. Selalu pasang penutup bilah pemandu selama pengangkutan.
- Saat mengangkut alat, bawalah dalam posisi horizontal dengan memegang porosnya. Jauhkan knalpot yang panas dari tubuh Anda.
- Bila mengangkut alat dalam kendaraan, amankan alat dengan kuat agar tidak terbalik. Jika sampai terbalik, bahan bakar dapat tumpah dan merusakkan alat serta muatan bagasi yang lain dapat terjadi.

## Perawatan


- Serviskan peralatan Anda pada pusat servis resmi kami, dan selalu gunakan suku cadang pengganti yang asli. Reparasi yang keliru dan perawatan yang buruk dapat memperpendek usia pakai alat dan meningkatkan risiko kecelakaan.
- Sebelum melakukan pekerjaan pemeliharaan atau perbaikan pada alat atau membersihkan alat, selalu matikan motor dan lepaskan cop busi atau kartrid baterainya. Tunggu sampai motor menjadi dingin.
- Untuk mengurangi risiko kebakaran, jangan sekali-kali menyervis alat di dekat api.
- Selalu kenakan sarung tangan pelindung saat menangani rantai gergaji.
- Selalu bersihkan debu dan kotoran dari alat. Jangan sekali-kali menggunakan bensin, tiner, alkohol, atau bahan sejenisnya untuk maksud tersebut. Penggunaan bahan demikian dapat menyebabkan perubahan warna dan bentuk serta timbulnya retakan pada komponen plastik.
- Setiap kali setelah digunakan, kencangkan semua sekrup dan mur, kecuali sekrup-sekrup penyetelan.
- Jagalah rantai gergaji selalu tajam. Jika rantai gergaji telah menjadi tumpul dan kinerja pemotongannya buruk, mintalah pusat servis resmi Makita untuk mengasahnya atau gantilah dengan yang baru.
- Jangan mencoba melakukan pekerjaan pemeliharaan atau perbaikan yang tidak diuraikan dalam buklet ini dan dalam petunjuk penggunaan unit penggerak. Mintalah pusat servis resmi Makita untuk melakukan pekerjaan demikian.
- Selalu gunakan hanya suku cadang dan aksesoris asli Makita. Menggunakan suku cadang atau aksesoris yang dipasok oleh pihak ketiga dapat mengakibatkan kerusakan alat, kerugian harta benda dan/atau cedera serius.

- Mintalah pusat servis resmi Makita untuk memeriksa dan merawat alat pada interval yang teratur.

## Penyimpanan

- Sebelum menyimpan alat, lakukan pembersihan dan pemeliharaan menyeluruh. Pasang penutup bilah pemandu. Lepaskan cop busi atau kartrid baterai. Keluarkan seluruh bahan bakar dan oli rantai setelah mesin dingin.
- Simpanlah alat di tempat yang kering dan tinggi atau terkunci, yang tidak bisa dijangkau anak-anak.
- Jangan menyandarkan alat pada sesuatu, seperti dinding. Jika disandarkan, alat dapat tiba-tiba jatuh dan menyebabkan cedera.

## Pertolongan pertama

-  Sediakan selalu perangkat pertolongan pertama di dekat Anda. Segera ganti setiap barang yang diambil dari kotak pertolongan pertama.
- Saat meminta bantuan, berikanlah informasi berikut ini:
  - Tempat kecelakaan
  - Apa yang telah terjadi
  - Jumlah orang yang cedera
  - Sifat cedera
  - Nama Anda

## Perakitan dan penyetelan

### PERINGATAN:

- Sebelum merakit atau menyetel alat, matikan mesin dan lepaskan cop busi atau kartrid baterainya. Jika tidak, rantai gergaji atau komponen lain dapat bergerak dan mengakibatkan cedera serius.
- Sebelum menangani rantai gergaji atau menyetel ketegangan rantai, kenakan sarung tangan pelindung. Jika tidak, rantai gergaji dapat melukai tangan telanjang dengan sangat parah.
- Saat merakit atau menyetel alat, selalu letakkan alat. Merakit atau menyetel alat yang berdiri tegak dapat mengakibatkan cedera serius.
- Patuhi peringatan dan langkah pengamanan dalam bab "Petunjuk keselamatan" dan petunjuk penggunaan unit penggerak.

### Merakit alat tambahan (Gb. 5)

Rakit alat tambahan dalam langkah-langkah berikut ini.

1. Kendurkan sekrup (A) dan (B).
2. Masukkan poros ke dalam kotak gir. Pastikan bahwa pasak (D) berada di sisi atas. Jika poros sulit dimasukkan sepenuhnya, putarlah as penggerak (C) secara manual.
3. Sesuaikan posisi lubang pada poros dengan lubang sekrup (B).
4. Kencangkan sekrup (B) lebih dahulu dan kemudian kencangkan sekrup (A).

### Memasangkan alat tambahan pada unit penggerak (Gb. 6)


Untuk memasang alat tambahan pada unit penggerak, ikuti langkah-langkah di bawah ini.

1. Pastikan bahwa tuas kunci (A) tidak dikencangkan.
2. Luruskan pasak (B) dengan tanda panah (C).
3. Masukkan poros ke dalam poros penggerak unit penggerak sampai tombol pelepas (D) menyembul naik.
4. Kencangkan tuas kunci (A) dengan kuat seperti diperlihatkan.

Untuk melepas alat tambahan, kendurkan tuas kunci, tekan tombol kunci dan tarik poros.

**PEMBERITAHUAN:** Jangan mengencangkan tuas kunci (A) bila tidak ada poros alat tambahan yang dimasukkan. Bila itu dilakukan, tuas kunci dapat mengencangkan lubang masuk poros penggerak terlalu kuat dan merusaknya.

### Merakit rantai gergaji dan bilah pemandu

-  **PERHATIAN:** Pastikan bahwa rantai gergaji, bilah pemandu, dan roda gerigi cocok satu sama lain dalam hal ketebalan kait mata rantai (gauge) dan jarak mata rantai (pitch)

Rakit rantai gergaji dan bilah pemandu dengan langkah-langkah berikut ini. (Gb. 7- 9)

1. Kendurkan mur (A) dan lepaskan penahan bilah (B).
2. Putar sekrup penegang (C) berlawanan arah jarum jam sampai mur penegang (D) menyentuh ujung kiri.

**PEMBERITAHUAN:** Jangan memutar sekrup penegang berlawanan arah jarum jam terlalu banyak, karena tindakan demikian akan membuat sekrup penegang dan mur penegang terlepas dari rumah mesin.

3. Pasang rantai gergaji (E) ke dalam alur bilah pemandu (F). Mulailah prosedur ini dari hidung bilah.
4. Luruskan baut posisi (G) dengan takik pada bilah pemandu (H), lalu pasang rantai gergaji (E) pada roda gerigi (I). Pastikan bahwa rantai gergaji terus terpasang pas di sepanjang bilah pemandu selama prosedur ini.
5. Pasang bilah pemandu (F) sehingga mur penegang (D) terpasang pas dalam lubang (J) pada bilah pemandu. Lubang (K) tidak digunakan.
6. Pasang rantai gergaji pada alur bilah pemandu dengan benar. Jika rantai gergaji belum terpasang dengan benar dalam alur bilah pemandu pada saat ini, setel dan pasang rantai ini dengan benar.
7. Pasang penahan bilah (B) dan kencangkan mur (A) dengan kuat. Kemudian kendurkan mur tersebut setengah putaran sebagai persiapan untuk penyetelan ketegangan rantai.
8. Setel ketegangan rantai. Rujuklah bagian "Menyetel ketegangan rantai".

### PERHATIAN:

- Pertahankan ketegangan rantai yang sesuai. Ketegangan yang kurang/kendur dapat menyebabkan rantai gergaji keluar dari alurnya. (Gb. 10)

Untuk melepaskan rantai gergaji dan bilah pemandu, putar sekrup penegang (C) berlawanan arah jarum jam terlebih dahulu.

Tarik rantai gergaji ke arah luar untuk memungkinkan rantai gergaji keluar dari alur bilah pemandu, kemudian lepaskan keduanya dari rumah mesin. (Gb. 11)

### Menyetel ketegangan rantai

#### PERINGATAN:

- Sebelum memeriksa atau menyetel ketegangan rantai, matikan motor dan lepaskan cop busi atau kartrid baterai.
- Sebelum memeriksa atau menyetel ketegangan rantai, kenakan sarung tangan pelindung.

#### PERHATIAN:

- Pertahankan ketegangan rantai yang sesuai. Ketegangan yang kurang/kendur dapat menyebabkan rantai gergaji terlepas saat digunakan. Ketegangan yang terlalu kencang dapat merusak rantai gergaji atau bilah pemandu.
- Selama mengoperasikan, periksalah ketegangan rantai sering-sering. Rantai gergaji terentang dan menjadi kendur selama digunakan. Bila menggunakan rantai gergaji baru, setel ketegangannya lebih sering. (Gb. 12)

Setel ketegangan rantai dalam langkah-langkah berikut ini.

1. Kendurkan mur (A) setengah putaran.
2. Tahan hidung bilah ke atas. Putar sekrup penegang (B) searah jarum jam sampai rantai gergaji terpasang dengan pas di sisi bawah bilah pemandu.
3. Tarik rantai gergaji di sepanjang bilah pemandu dengan tangan. Jika rantai sulit digerakkan, putar sedikit sekrup penegang berlawanan arah jarum jam dan lakukan langkah 2 lagi.
4. Kencangkan mur (A) kuat-kuat.

### Mengisi tangki oli rantai

Rantai gergaji harus dilumasi dengan oli rantai selama digunakan. Sebelum mengoperasikan alat, isilah tangki oli rantai. Setelah mengisi oli, kencangkan tutup oli dengan kuat. Gunakan hanya oli rantai asli Makita.

**PEMBERITAHUAN:** Jangan sekali-kali menggunakan oli bekas. Oli bekas dapat merusak pompa oli.

Selama pengoperasian, selalu perhatikan ketinggian oli. Isi kembali tangki jika oli tinggal sedikit. Tangki akan kosong dalam waktu sekitar 40 menit penggunaan (tergantung pada setelan pelumasan rantainya).

## Menyetel kecepatan pemasokan oli rantai (Gb. 13 & 14)

Kecepatan pemasokan oli rantai dapat disetel dalam tiga langkah. Sesuai dengan pengoperasiannya, misalnya memotong dahan keras, sesuaikan kecepatan pemasokan.

Untuk menyetel kecepatan pemasokan oli rantai, gunakan obeng minus. Dorong masuk sekrup penyetel dan putar. Untuk meningkatkan kecepatan pemasokan, putar sekrup penyetel berlawanan arah jarum jam (A). Untuk mengurangi kecepatan pemasokan, putar searah jarum jam (B).

Setelah menyetel kecepatan pemasokan oli rantai, periksa kecepatan pemasokan dengan menjalankan alat pada kecepatan sedang.

## Pemeriksaan dan pemeliharaan

### ⚠ PERINGATAN:

- Sebelum memeriksa atau memelihara alat, matikan motor dan lepaskan cop busi atau kartrid baterainya. Jika tidak, rantai gergaji atau komponen lain dapat bergerak dan mengakibatkan cedera serius.
- Sebelum menangani atau bekerja di sekitar rantai gergaji, kenakan sarung tangan pelindung. Jika tidak, rantai gergaji dapat melukai tangan telanjang dengan sangat parah.
- Saat memeriksa atau memelihara alat, selalu letakkan alat. Merakit atau menyetel alat yang berdiri tegak dapat mengakibatkan cedera serius.
- Patuhi peringatan dan langkah pengamanan dalam bab "Petunjuk keselamatan" dan petunjuk penggunaan unit penggerak.

## Bersihkan lubang pemasokan oli rantai (Gb. 15)

Bersihkan lubang pemasokan oli rantai (A) setiap hari. Untuk mengaksesnya, lepaskan penahan bilah dan bilah pemandu.

## Membersihkan dan memeriksa bilah pemandu (Gb. 16)

Bersihkan bilah pemandu setiap hari. Bersihkan debu gergajian dari alur (A) dan lubang pemasokan oli rantai (B).

Untuk menghindari keausan satu-sisi pada bilah pemandu, baliklah bilah setiap kali Anda mengganti atau mengasah rantai gergaji. Jika alur sudah aus, bengkok atau berubah bentuk, gantilah bilah pemandu.

## Memeriksa roda gerigi (Gb. 17)

Periksa roda gerigi dari keausan setiap 50 jam penggunaan. Gantilah bila tanda-tanda keausan telah mencapai 0,3 mm atau lebih dalam.

## Memeriksa rantai gergaji

Bila Anda merasa bahwa rantai gergaji sudah aus, berubah bentuk, retak, atau Anda membutuhkan tenaga lebih besar saat menggergaji, gantilah rantai atau mintalah pusat servis resmi Makita untuk mengasahnya.

## Melumasi komponen-komponen bergerak (Gb. 18)

**PEMBERITAHUAN:** Patuhilah petunjuk mengenai frekuensi dan jumlah gemuk yang digunakan. Jika tidak, pelumasan yang tidak memadai dapat membuat komponen-komponen yang bergerak rusak.

Kotak gir:

Lepaskan tutup gemuk (A) dan isikan gemuk berbahan dasar litium melalui lubang gemuk (B) setiap 25 jam penggunaan.

As penggerak:

Aplikasikan gemuk (Shell Alvania No. 2 atau setara) setiap 25 jam penggunaan.

Hidung bilah pemandu:

Aplikasikan gemuk (Shell Alvania No. 2 atau setara) dari lubang gemuk (C) setiap 10 jam penggunaan.

## Pemeriksaan keseluruhan

- Kencangkan baut, mur, dan sekrup yang kendur.
- Periksa dari adanya komponen yang rusak. Mintalah pusat servis resmi Makita untuk menggantinya.
- Periksa penahan bilah. Jika ada retakan atau perubahan bentuk, gantilah.

## Penyimpanan

⚠ **PERINGATAN:** Patuhi peringatan dan langkah pengamanan dalam bab "Petunjuk keselamatan" dan petunjuk penggunaan unit penggerak.

Bila menyimpan alat tambahan gergaji galah secara terpisah dari unit penggerak, pasang penutup pada ujung porosnya. (Gb. 19)

## Jadwal pemeliharaan

Jam penggunaan		Sebelum Menggunakan	Harian (10 jam)	25 jam	50 jam	Jika perlu	Halaman yang sesuai
Keseluruhan unit	Periksa secara visual dari adanya komponen yang rusak	○					47
Semua sekrup dan mur pemasangan	Kencangkan	○					47
Lubang pemasokan oli rantai	Bersihkan		○				47
Bilah pemandu	Bersihkan alur dan lubang pemasokan oli rantai		○				47
	Periksa secara visual		○				47
	Oleskan gemuk pada hidung		○				47
Kotak gir	Oleskan gemuk			○			47
As penggerak	Oleskan gemuk			○			47
Roda gerigi	Periksa secara visual				○		47
Rantai gergaji	Ganti atau minta diasahkan					○	47
Unit penggerak	Rujuklah petunjuk penggunaan unit penggerak						

## Menyelesaikan Masalah

Masalah	Kemungkinan penyebab	Pemecahan
Motor tidak mau hidup.	Rujuklah petunjuk penggunaan unit penggerak.	
Motor langsung mati setelah hidup.		
Kecepatan maksimum terbatas.		
Rantai gergaji tidak bergerak. → <b>Hentikan motor segera!</b>	Bilah pemandu bengkok atau rusak.	Ganti bilah pemandu.
	Ada ranting tersangkut pada rantai gergaji.	Bersihkan objek yang tersangkut.
	Sistem penggerak tidak berfungsi dengan baik.	Mintalah pusat servis resmi Makita untuk memeriksa dan memperbaikinya.
Unit bergetar tidak normal. → <b>Hentikan motor segera!</b>	Sistem penggerak tidak berfungsi dengan baik.	Mintalah pusat servis resmi Makita untuk memeriksa dan memperbaikinya.
Rantai gergaji tidak berhenti. → <b>Hentikan motor segera!</b>	Unit penggerak tidak berfungsi dengan baik.	Rujuklah petunjuk penggunaan unit penggerak.
Oli rantai tidak keluar.	Tangki oli kosong.	Isi tangki oli dengan oli rantai.
	Lubang pemasokan oli rantai kotor.	Bersihkan lubang pemasokan oli rantai pada unit dan bilah pemandu.
	Sekrup penyetel kecepatan pemasokan oli rantai disetel kurang tepat.	Setel sekrup penyetel dengan benar.

## Data teknis

Model		EY401MP
Dimensi (P x L x T)	mm	1.166 x 74 x 105
Massa	kg	1,0
Panjang bilah pemandu	mm	255 (10")
Rantai gergaji		91VXL-39E
Ketebalan kait mata rantai (gauge) rantai	inci	0,050"
Jumlah gigi pada roda gerigi		7
Oli rantai		Oli rantai asli Makita
Pompa oli rantai		Pompa celup (Tipe swalumas)
Kapasitas tangki oli rantai	ml	120
Rasio roda gigi (peningkatan kecepatan)		0,94



**Lời nói đầu**

Cảm ơn bạn rất nhiều vì đã mua phụ tùng máy cưa cột của Makita. Phụ tùng này được thiết kế để gắn trên thiết bị điện Makita có đề cập đến trong tài liệu hướng dẫn này. Trước khi sử dụng, vui lòng đọc cuốn sách nhỏ này và tài liệu hướng dẫn về thiết bị điện. Những tài liệu này sẽ giúp bạn đạt được kết quả làm việc tốt nhất có thể từ phụ tùng máy cưa cột của Makita.

<b>Mục lục</b>	<b>Trang</b>
Lời nói đầu.....	49
Ký hiệu .....	49
Thiết bị điện được phê duyệt.....	49
Mô tả bộ phận.....	50
Lưu ý an toàn .....	50
Lắp ráp và điều chỉnh .....	51
Kiểm tra và bảo dưỡng.....	52
Cất giữ.....	53
Lịch bảo dưỡng .....	53
Khắc phục sự cố.....	53
Dữ liệu kỹ thuật .....	54

**Ký hiệu**

Các ký hiệu sau được sử dụng trên phụ tùng và tài liệu hướng dẫn này. Hiểu những định nghĩa này.



Đọc và làm theo tài liệu hướng dẫn.



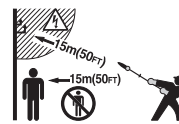
Đặc biệt cẩn trọng và tập trung!



Đội mũ bảo hộ, thiết bị bảo vệ mắt và tai.



Đi ủng cứng với đế không trơn trượt.



Giữ khoảng cách giữa thiết bị và người đứng ngoài và/hoặc đường dây điện tối thiểu là 15 m (50 ft) (bao gồm cả mọi cành cây tiếp xúc với đường dây điện). Nguy cơ điện giật và/hoặc thương tích cá nhân.



Không được cưa cột ở góc lớn hơn 60°.



Dầu xích



Sơ cứu

**Thiết bị điện được phê duyệt**

Phụ tùng này được phê duyệt để chỉ sử dụng với (các) thiết bị điện sau đây:

**EX2650LH** Đầu máy đa năng  
**HXU01, HXU02, BUX360, BUX361, BUX362, UX360D, UX361D, UX362D**

**Bộ phận đầu đa năng của máy chạy pin**

**⚠ CẢNH BÁO:** Không sử dụng phụ tùng này với thiết bị điện không được phê duyệt. Việc kết hợp không được phê duyệt có thể gây thương tích nghiêm trọng.

## Mô tả bộ phận (Hình 1)

Các số bên dưới tham chiếu đến hình vẽ

1. Trục
2. Hộp chạy Dao
3. Nắp dầu
4. Bình dầu
5. Tấm giữ thanh dẫn
6. Thanh dẫn
7. Xích cưa
8. Nắp thanh dẫn

## Lưu ý an toàn

**⚠ CẢNH BÁO:** Đọc tất cả cảnh báo an toàn và tất cả hướng dẫn trong cuốn sách nhỏ này cũng như trong tài liệu hướng dẫn về thiết bị điện. Không tuân theo các cảnh báo và hướng dẫn có thể dẫn đến điện giật, hỏa hoạn và/hoặc thương tích nghiêm trọng.

**Lưu giữ tất cả cảnh báo và hướng dẫn để tham khảo sau này.** Thuật ngữ “cưa cột” và “thiết bị” trong cảnh báo và lưu ý đề cập đến sự kết hợp giữa phụ tùng và thiết bị điện. Thuật ngữ “máy” trong cảnh báo và lưu ý đề cập đến động cơ hoặc động cơ điện của thiết bị điện.

### Mục đích sử dụng

- Phụ tùng này được thiết kế chỉ với mục đích tỉa các nhánh cây và cành cây to có đường kính nhỏ hơn 15 cm cùng với thiết bị điện đã phê duyệt. Không sử dụng phụ tùng này cho mục đích khác. Lạm dụng phụ tùng này có thể gây thương tích nghiêm trọng.

### Lưu ý chung

- Trước khi sử dụng cưa cột, hãy đọc cuốn sách nhỏ này và tài liệu hướng dẫn về thiết bị điện để làm quen với việc sử dụng cưa cột.
- Không cho người thiếu kinh nghiệm hoặc kiến thức về việc sử dụng cưa cột mượn phụ tùng này.
- Khi cho mượn, phải luôn gửi kèm tài liệu hướng dẫn này.
- Không cho phép trẻ em hoặc người dưới 18 tuổi sử dụng cưa cột. Giữ họ tránh xa cưa cột.
- Sử dụng cưa cột hết sức cẩn trọng và tập trung.
- Không được sử dụng cưa cột sau khi uống rượu hay dùng thuốc hoặc nếu bạn cảm thấy mệt mỏi hay ốm yếu.
- Không cố gắng sửa đổi phụ tùng.
- Các quy định quốc gia có thể hạn chế việc sử dụng thiết bị này. Làm theo các quy định về sử dụng cưa cột và cưa xích trong quốc gia của bạn.

### Thiết bị bảo hộ cá nhân

- Đội mũ bảo hộ, đeo kính và găng tay bảo hộ để bảo vệ cơ thể khỏi các mảnh vụn bắn vào hoặc các vật thể rơi xuống. **(Hình 2)**
- Đeo thiết bị bảo vệ tai như bịt tai để tránh bị mất thính giác.
- Mặc quần áo và đi giày phù hợp để vận hành an toàn, chẳng hạn như quần áo bảo hộ lao động và giày cứng không trơn trượt. Không mặc quần áo rộng hay đeo đồ trang sức. Quần áo rộng, đồ trang sức hay tóc dài có thể mắc vào các bộ phận chuyển động.
- Khi cầm xích cưa hoặc điều chỉnh độ căng của xích, hãy đeo găng tay bảo hộ. Xích cưa có thể cắt sâu vào tay trần.

### An toàn tại nơi làm việc

- **⚠ Nguy hiểm:** Giữ cưa cột cách xa đường dây điện và cáp truyền thông ít nhất 15 m (bao gồm cả mọi cành cây tiếp xúc với chúng). Nếu để cưa cột chạm vào hoặc tiếp cận với các đường điện cao thế thì có thể dẫn đến tử vong hoặc thương tích nghiêm trọng. Quan sát các đường dây điện và hàng rào điện xung quanh khu vực làm việc trước khi bắt đầu vận hành.
- Chỉ vận hành cưa cột trong điều kiện có ánh sáng ban ngày và tầm nhìn tốt. Không vận hành cưa cột khi trời tối hoặc có sương mù.
- Chỉ khởi động và vận hành động cơ ở ngoài trời trong khu vực thông gió tốt. Vận hành trong khu vực thông gió kém hoặc hạn chế có thể dẫn đến tử vong do nghẹt thở hoặc nhiễm độc khí oxit cacbon.

- Trong khi vận hành, không được đứng trên bề mặt trơn trượt hoặc không vững chắc hoặc sườn dốc. Trong mùa lạnh, hãy chú ý băng và tuyết đồng thời luôn đảm bảo có chỗ để chân chắc chắn.
- Trong khi vận hành, yêu cầu người đứng ngoài hoặc động vật cách xa cưa cột ít nhất 15 m. Dừng máy ngay sau khi có ai đó đến gần.
- Trước khi vận hành, kiểm tra khu vực làm việc để xem có hàng rào dây thép, tường hoặc các vật thể cứng khác không. Chúng có thể làm hỏng xích cưa.
- **⚠ CẢNH BÁO:** Sử dụng sản phẩm này có thể tạo ra bụi chứa hoá chất gây nên các bệnh hô hấp hoặc bệnh khác. Một số ví dụ về các hoá chất này là hợp chất có trong thuốc trừ sâu, thuốc diệt côn trùng, phân bón và thuốc diệt cỏ. Mức độ rủi ro từ việc tiếp xúc với các hoá chất này có thể khác nhau, phụ thuộc vào tần suất bạn làm loại công việc này. Để giảm tiếp xúc với các hoá chất này: làm việc ở nơi thông gió tốt và làm việc khi có thiết bị an toàn đã được phê duyệt, như mặt nạ chống bụi được thiết kế đặc biệt để lọc các hạt cực nhỏ.

### Đưa vào vận hành


- Trước khi lắp ráp hoặc điều chỉnh thiết bị, hãy tắt máy và tháo đầu nối bu-gi hoặc hộp pin.
- Trước khi cầm xích cưa hoặc điều chỉnh độ căng của xích, hãy đeo găng tay bảo hộ.
- Trước khi khởi động máy, hãy kiểm tra thiết bị xem có bị hỏng hóc, vít/đai ốc bị lỏng hoặc bộ phận lắp ráp không đúng hay không. Mài sắc xích cưa bị cùn. Nếu xích cưa bị cong hoặc bị hỏng, hãy thay xích cưa. Kiểm tra tất cả các cần và công tắc điều khiển để sử dụng dễ dàng. Làm sạch và lau khô các tay cầm.
- Không cố gắng khởi động máy nếu thiết bị bị hỏng hoặc chưa được lắp ráp đầy đủ. Nếu không, có thể dẫn đến thương tích nghiêm trọng.
- Điều chỉnh dây đeo vai và tay cầm cho phù hợp với kích thước cơ thể của người vận hành.
- Điều chỉnh độ căng của xích thích hợp. Nạp lại dầu xích nếu cần.

### Khởi động máy

- Mang các thiết bị bảo hộ cá nhân trước khi khởi động máy.
- Khởi động động cơ cách điểm tiếp nhiên liệu ít nhất 3 m.
- Trước khi khởi động máy, đảm bảo không có người hoặc động vật trong khu vực làm việc.
- Khi khởi động động cơ hoặc lắp hộp pin, giữ xích cưa và thanh dẫn xa cơ thể bạn và vật thể khác, kể cả mặt đất. Xích cưa có thể di chuyển khi khởi động và có thể gây thương tích nghiêm trọng hoặc làm hỏng xích cưa và/hoặc tài sản.
- Đặt thiết bị trên mặt đất chắc chắn. Duy trì thăng bằng tốt và có chỗ để chân chắc chắn.
- Khi kéo núm khởi động, giữ thiết bị điện chắc chắn trên mặt đất bằng tay trái. Không được giẫm lên trục dẫn động của thiết bị điện. **(Hình 3)**
- Làm theo tài liệu hướng dẫn của thiết bị điện để khởi động máy.
- Kiểm tra rằng có đủ nhiên liệu giữa tốc độ không tải và tốc độ khớp để đảm bảo rằng phụ tùng đang dừng lại trong khi động cơ đang không tải (nếu cần, giảm tốc độ không tải).
- Nếu xích cưa chạy không tải, hãy dừng động cơ và điều chỉnh tốc độ không tải giảm xuống.

### Vận hành

- Trong trường hợp khẩn cấp, tắt máy ngay lập tức.
- Nếu bạn cảm thấy có điều kiện bất thường (ví dụ: tiếng ồn, rung) trong khi vận hành, hãy tắt máy. Không sử dụng thiết bị cho đến khi nhận ra nguyên nhân và khắc phục sự cố.
- Xích cưa tiếp tục di chuyển trong một khoảng thời gian ngắn sau khi nhà bộ khởi động bướm ga hoặc tắt máy. Dừng vội vàng chạm vào xích cưa.
- Lắp dây đeo vai chỉ khi động cơ đang chạy ở chế độ không tải.
- Trong khi vận hành, sử dụng dây đeo vai. Giữ thiết bị chắc chắn ở bên phải. **(Hình 4)**
- Giữ tay cầm trước bằng tay trái và tay cầm sau bằng tay phải cho dù bạn thuận tay phải hay tay trái. Dùng các ngón tay và ngón cái để nắm xung quanh tay cầm.
- Không cố gắng vận hành thiết bị bằng một tay. Mất kiểm soát có thể dẫn đến thương tích nghiêm trọng hoặc thương tích chết người. Để giảm rủi ro thương tích, hãy giữ tay và chân cách xa các lưỡi cưa.

- Không vớ quá cao. Luôn giữ thăng bằng tốt và có chỗ để chân phù hợp. Đề ý các chướng ngại vật bị khuất như gốc cây, rễ cây và rãnh để tránh bị vấp. Dọn sạch các cành cây bị gãy và các vật thể khác.
- Không được làm việc trên thang hoặc cây để tránh mất kiểm soát.
- Nếu thiết bị bị tác động mạnh hoặc rơi, hãy kiểm tra điều kiện trước khi tiếp tục làm việc. Kiểm tra hệ thống nhiên liệu để xem có rò rỉ nhiên liệu, đồng thời kiểm tra thiết bị kiểm soát và thiết bị an toàn xem có hỏng hóc hay không. Nếu có bất kỳ hỏng hóc hoặc nghi ngờ gì, hãy yêu cầu trung tâm dịch vụ được ủy quyền của Makita kiểm tra và sửa chữa.
- Không chạm vào hộp chạy dao. Hộp chạy dao trở nên nóng trong khi vận hành.
- Hãy nghỉ ngơi để tránh mất kiểm soát do mệt mỏi gây ra. Chúng tôi khuyên bạn nên nghỉ ngơi từ 10 đến 20 phút mỗi giờ.
- Khi bạn rời thiết bị, ngay cả trong thời gian ngắn, hãy luôn tắt động cơ hoặc tháo hộp pin. Một người không được phép có thể sử dụng thiết bị khi động cơ đang chạy và có thể gây ra tai nạn nghiêm trọng.
- Làm theo tài liệu hướng dẫn về thiết bị điện để sử dụng cần và công tắc điều khiển đúng cách.
- Chú ý đến môi trường. Tránh vận hành bươm ga khi không cần thiết để giảm ô nhiễm và phát tiếng ồn. Điều chỉnh bộ chế hoà khí chính xác.
- Trong khi vận hành hoặc sau khi vận hành, không đặt thiết bị đang nóng lên cỏ khô hoặc vật liệu dễ cháy.
- Không để tay phải của bạn cao hơn vai.
- Trong khi vận hành, không được va xích cưa vào vật cứng như đá và đinh. Đặc biệt cẩn trọng khi cắt các cành cây gần tường, hàng rào dây thép hoặc những thứ tương tự như thế.
- Nếu cành cây bị mắc vào phụ tùng, luôn dừng động cơ và tháo đầu nối bu-gi hoặc hộp pin. Nếu không, khởi động vô tình có thể gây thương tích nghiêm trọng.
- Nếu xích cưa bị tắc, hãy luôn tắt máy và tháo đầu nối bu-gi hoặc hộp pin trước khi vệ sinh.
- Tăng tốc máy khi xích cưa bị kẹt sẽ làm tăng tải và làm hỏng máy và/hoặc ly hợp.
- Trước khi cắt các cành cây to, hãy giữ lối thoát cách xa cành cây rơi xuống. Đầu tiên, loại bỏ các vật cản như cành cây to và nhánh cây khỏi khu vực làm việc. Đưa tất cả dụng cụ và hàng hoá ra khỏi lối thoát đến một nơi an toàn khác.
- Trước khi cắt nhánh cây và cành cây to, hãy kiểm tra hướng rơi của chúng, xem xét tình trạng của nhánh cây và cành cây to, các cây liền kề, hướng gió, v.v.. Chú ý đến hướng rơi và sự nảy lên của cành cây rơi xuống mặt đất.
-  Không được cầm cưa cột ở góc lớn hơn 60°. Nếu không, các vật thể rơi xuống có thể đập vào người vận hành và gây thương tích nghiêm trọng. Không được đứng bên dưới cành cây to đang được cắt.
- Chú ý đến các nhánh cây bị cong hoặc bị gãy. Chúng có thể nảy ngược lại khi cắt, gây nên thương tích bất ngờ.
- Trước khi cắt các cành cây to mà bạn dự định cắt, hãy cắt các nhánh cây và lá xung quanh chúng. Nếu không, cưa có thể bị kẹt vào nhánh cây và lá cây.
- Để ngăn cưa bị kẹt trong rãnh cắt, không nhả cần bươm ga trước khi kéo cưa ra khỏi rãnh cắt.
- Nếu xích cưa bị kẹt trong rãnh cắt, dừng máy ngay lập tức, cẩn thận di chuyển nhánh cây để mở rãnh cắt và giải phóng cưa.
- Tránh bật ngược lại (phản lực quay về phía người vận hành). Để tránh bật ngược lại, không được sử dụng mũi thanh dẫn hoặc thực hiện quá trình cắt xuyên qua. Luôn chú ý vị trí của mũi thanh dẫn.
- Thường xuyên kiểm tra độ căng của xích. Khi kiểm tra hoặc điều chỉnh độ căng của xích, hãy tắt máy và tháo đầu nối bu-gi hoặc hộp pin. Nếu xích bị trùng, hãy vận chặt xích.

## Chấn động

- Những người có hệ tuần hoàn kém, tiếp xúc lâu với chấn động, có thể bị tổn thương mạch máu hoặc hệ thần kinh. Sự chấn động có thể gây ra các triệu chứng sau xảy ra đối với ngón tay, bàn tay và cổ tay: “Buồn ngủ” (tê), đau dây thần kinh, đau đớn, cảm giác đau nhói, thay đổi màu da hoặc da. Nếu có bất kỳ triệu chứng nào, hãy đến gặp bác sỹ!
- Để giảm nguy cơ “bệnh trắng ngón tay”, hãy giữ ấm tay khi vận hành và bảo dưỡng tốt thiết bị và phụ kiện.

## Vận chuyển

- Trước khi vận chuyển thiết bị, hãy tắt máy và tháo đầu nối bu-gi hoặc hộp pin. Luôn lắp nắp thanh dẫn trong khi vận chuyển.
- Khi vận chuyển thiết bị, hãy mang vác thiết bị theo vị trí ngang bằng cách giữ trục. Giữ bộ giảm thanh đang nóng cách xa cơ thể bạn.
- Khi vận chuyển thiết bị trong xe, buộc chặt thiết bị đúng cách để tránh bị lật. Nếu không, nhiên liệu sẽ tràn ra và làm hỏng thiết bị cũng như hành lý khác.


## Bảo dưỡng

- Yêu cầu trung tâm dịch vụ được ủy quyền của chúng tôi bảo trì thiết bị của bạn, luôn sử dụng phụ tùng thay thế chính hãng. Việc bảo trì kém và sửa chữa không đúng có thể rút ngắn tuổi thọ thiết bị cũng như làm tăng nguy cơ tai nạn.
- Trước khi bảo dưỡng hoặc sửa chữa hoặc vệ sinh thiết bị, hãy luôn tắt máy và tháo đầu nối bu-gi hoặc hộp pin. Đợi cho đến khi máy nguội.
- Để giảm nguy cơ hoả hoạn, không được bảo dưỡng thiết bị ở gần đám cháy.
- Luôn đeo găng tay bảo hộ khi cầm xích cưa.
- Luôn lau sạch bụi và bẩn khỏi thiết bị. Không bao giờ dùng xăng, ét xăng, dung môi, cồn hoặc hóa chất tương tự để lau bụi hoặc bẩn. Hiện tượng phai màu, biến dạng hoặc nứt vỡ của các bộ phận nhựa có thể xảy ra.
- Sau khi sử dụng, vận chặt tất cả các vít và đai ốc, trừ vít điều chỉnh.
- Giữ xích cưa sắc. Nếu xích cưa bị cùn và hiệu suất cắt kém, hãy yêu cầu trung tâm dịch vụ được ủy quyền của Makita mài sắc hoặc thay thế bằng xích cưa mới.
- Không cố gắng bảo dưỡng hoặc sửa chữa theo cách khác với mô tả trong cuốn sách nhỏ này hoặc tài liệu hướng dẫn về thiết bị điện. Yêu cầu trung tâm dịch vụ được ủy quyền của Makita thực hiện việc đó.
- Chỉ luôn sử dụng các bộ phận và phụ tùng thay thế chính hãng của Makita. Sử dụng các bộ phận hoặc phụ tùng do bên thứ ba cung cấp có thể dẫn đến hỏng hóc thiết bị, thiệt hại tài sản và/hoặc thương tích nghiêm trọng.
- Yêu cầu trung tâm dịch vụ được ủy quyền của Makita kiểm tra và bảo dưỡng thiết bị thường xuyên.

## Cắt giữ

- Trước khi cắt giữ thiết bị, hãy bảo dưỡng và vệ sinh toàn bộ thiết bị. Lắp nắp thanh dẫn. Tháo đầu nối bu-gi hoặc hộp pin. Tháo cạn nhiên liệu và dầu xích sau khi động cơ nguội.
- Cắt giữ thiết bị ở nơi khô thoáng, cao ráo hoặc được khoá, ngoài tầm với của trẻ em.
- Không dựng thiết bị dựa vào thứ gì đó, chẳng hạn như tường. Nếu không, thiết bị có thể đổ bất ngờ và gây thương tích.

## Sơ cứu

-  Luôn có bộ sơ cứu ở gần. Ngay lập tức thay thế bất kỳ thứ gì lấy từ bộ sơ cứu.
- Khi yêu cầu trợ giúp, hãy cung cấp các thông tin sau:
  - Vị trí tai nạn
  - Chuyện gì đã xảy ra
  - Số người bị thương
  - Bản chất thương tích
  - Tên của bạn

## Lắp ráp và điều chỉnh

### ⚠ CẢNH BÁO:

- Trước khi lắp ráp hoặc điều chỉnh thiết bị, hãy tắt động cơ và tháo đầu nối bu-gi hoặc hộp pin. Nếu không, xích cưa hoặc các bộ phận khác có thể di chuyển và dẫn đến thương tích nghiêm trọng.
- Trước khi cầm xích cưa hoặc điều chỉnh độ căng của xích, hãy đeo găng tay bảo hộ. Nếu không, xích cưa có thể cắt sâu vào tay trần.
- Khi lắp ráp hoặc điều chỉnh thiết bị, hãy luôn đặt thiết bị xuống. Lắp ráp hoặc điều chỉnh thiết bị ở vị trí thẳng đứng có thể dẫn đến thương tích nghiêm trọng.
- Làm theo cảnh báo và lưu ý trong chương “Lưu ý an toàn” và tài liệu hướng dẫn về thiết bị điện.

## Lắp ráp phụ tùng (Hình 5)

Lắp ráp phụ tùng theo các bước sau đây.

1. Nới lỏng vít (A) và (B).
2. Lắp trực vào hộp chạy dao. Đảm bảo chốt (D) ở mặt trên. Nếu khó để lắp toàn bộ trực, hãy vận trực dẫn động (C) bằng tay.
3. Điều chỉnh vị trí của lỗ trên trực tương ứng với lỗ của vít (B).
4. Vận chặt vít (B) trước tiên rồi vận chặt vít (A).

## Lắp phụ tùng vào một thiết bị điện (Hình 6)

Để lắp phụ tùng vào một thiết bị điện, hãy làm theo các bước dưới đây.

1. Đảm bảo lấy khoa (A) không bị vận chặt.
2. Đặt thẳng hàng chốt (B) với vạch mũi tên (C).
3. Đưa trực vào trực dẫn động của thiết bị điện cho đến khi nút nhả (D) bật lên.
4. Vận chặt lấy khóa (A) như trong hình minh họa.

Để tháo phụ tùng, hãy nới lỏng lấy khoa, nhấn nút khóa và rút trực ra.

## Lắp xích cưa và thanh dẫn

**⚠ THẬN TRỌNG:** Đảm bảo rằng xích cưa, thanh dẫn và bánh xích khớp với nhau trong bạc dẫn và bước răng.

Lắp xích cưa và thanh dẫn theo các bước sau đây. (Hình 7-9)

1. Vận lỏng đai ốc (A) và tháo tấm giữ thanh dẫn (B).
2. Xoay vít căng (C) ngược chiều kim đồng hồ cho tới khi đai ốc căng (D) chạm vào đầu bên trái.

**CHÚ Ý:** Không xoay vít căng ngược chiều kim đồng hồ quá nhiều, nếu không vít căng và đai ốc căng sẽ rơi ra khỏi vỏ.

3. Lắp xích cưa (E) vào rãnh của thanh dẫn (F). Bắt đầu quy trình từ mũi thanh.
4. Căn thẳng bu-lông định vị (G) với khấc của thanh dẫn (H), rồi lắp xích cưa (E) vào bánh xích (I). Đảm bảo xích cưa khớp dọc theo thanh dẫn trong quy trình này.
5. Lắp thanh dẫn (F) sao cho đai ốc căng (D) vừa với lỗ (J) trên thanh dẫn. Không sử dụng lỗ (K).
6. Đặt xích cưa lên rãnh của thanh dẫn đúng cách. Nếu xích cưa không được đặt vào rãnh của thanh dẫn đúng cách vào lúc này, hãy điều chỉnh và lắp xích cưa một cách phù hợp.
7. Lắp tấm giữ thanh dẫn (B) rồi vận chặt đai ốc (A). Sau đó, nới lỏng đai ốc nửa vòng quay như khi chuẩn bị điều chỉnh độ căng của xích.
8. Điều chỉnh độ căng của xích. Tham khảo phần "Điều chỉnh độ căng của xích."

**⚠ THẬN TRỌNG:**

- Duy trì độ căng thích hợp của xích. Độ căng không chặt có thể khiến xích cưa rơi ra. (Hình 10)

Để tháo xích cưa và thanh dẫn, hãy xoay vít căng (C) ngược chiều kim đồng hồ trước.

Kéo xích cưa ra để xích cưa tách khỏi rãnh của thanh dẫn, sau đó tháo xích cưa khỏi vỏ. (Fig. 11)

## Điều chỉnh độ căng của xích

**⚠ CẢNH BÁO:**

- Trước khi kiểm tra hoặc điều chỉnh độ căng của xích, hãy tắt máy và tháo đầu nối bu-gi hoặc hộp pin.
- Trước khi kiểm tra hoặc điều chỉnh độ căng của xích, hãy đeo găng tay bảo hộ.

**⚠ THẬN TRỌNG:**

- Giữ độ căng của xích thích hợp. Độ căng không chặt có thể khiến xích cưa rơi ra trong khi vận hành. Độ căng quá chặt có thể làm hỏng xích cưa hoặc thanh dẫn.
- Trong khi vận hành, hãy thường xuyên kiểm tra độ căng của xích. Xích cưa giãn ra và bị chùng trong khi vận hành. Khi sử dụng xích cưa, hãy điều chỉnh độ căng thường xuyên hơn. (Hình 12)

Điều chỉnh độ căng của xích cưa theo các bước sau đây.

1. Nới lỏng đai ốc (A) một nửa vòng quay.
2. Giữ mũi thanh hướng lên trên. Vận vít căng (B) theo chiều kim đồng hồ cho đến khi xích cưa vừa khít với mặt dưới của thanh dẫn.
3. Dùng tay kéo xích cưa dọc theo thanh dẫn. Nếu khó di chuyển, hãy vận vít căng nhẹ nhàng ngược chiều kim đồng hồ và làm lại bước 2.
4. Vận chặt đai ốc (A).

## Nạp đầy bình dầu xích

Xích cưa phải được bôi trơn bằng dầu xích trong khi vận hành. Trước khi vận hành, nạp đầy bình dầu xích. Sau khi cấp dầu, hãy vận chặt nắp dầu.

Chỉ sử dụng dầu xích chính hãng của Makita.

**CHÚ Ý:** Không sử dụng dầu thải. Dầu thải có thể làm hỏng bơm dầu.

Trong khi vận hành, hãy luôn chú ý đến mức dầu. Nạp lại bình nếu mức dầu thấp. Bình sẽ hết dầu trong khoảng 40 phút vận hành (tùy thuộc vào việc đặt mức bôi trơn xích).

## Điều chỉnh tốc độ nạp dầu xích (Hình 13 & 14)

Tốc độ nạp dầu xích có thể điều chỉnh được theo ba bước. Điều chỉnh theo hoạt động, chẳng hạn như cắt các cành cây to cứng thì điều chỉnh tốc độ nạp.

Để điều chỉnh tốc độ nạp dầu xích, sử dụng tua vít một cạnh. Đẩy vít điều chỉnh vào và vận vít. Để tăng tốc độ nạp, vận vít điều chỉnh ngược chiều kim đồng hồ (A). Để giảm tốc độ nạp, vận vít điều chỉnh theo chiều kim đồng hồ (B).

Sau khi điều chỉnh tốc độ nạp dầu xích, hãy kiểm tra tốc độ nạp bằng cách điều khiển thiết bị ở tốc độ trung bình.

## Kiểm tra và bảo dưỡng

**⚠ CẢNH BÁO:**

- Trước khi kiểm tra hoặc bảo dưỡng thiết bị, hãy tắt máy và tháo đầu nối bu-gi hoặc hộp pin. Nếu không, xích cưa hoặc các bộ phận khác có thể di chuyển và dẫn đến thương tích nghiêm trọng.
- Trước khi sử dụng hoặc làm việc xung quanh xích cưa, hãy đeo găng tay bảo hộ. Nếu không, xích cưa có thể cắt sâu vào tay trần.
- Khi kiểm tra hoặc bảo dưỡng thiết bị, hãy luôn đặt thiết bị xuống. Lắp ráp hoặc điều chỉnh thiết bị ở vị trí thẳng đứng có thể dẫn đến thương tích nghiêm trọng.
- Làm theo cảnh báo và lưu ý trong chương "Lưu ý an toàn" và tài liệu hướng dẫn về thiết bị điện.

## Lau sạch cổng nạp dầu xích (Hình 15)

Lau sạch cổng nạp dầu xích (A) hàng ngày. Để vào được cổng nạp, hãy tháo tấm giữ thanh dẫn và thanh dẫn.

## Lau sạch và kiểm tra thanh dẫn (Hình 16)

Lau sạch thanh dẫn hàng ngày. Loại sạch bụi cưa khỏi rãnh (A) và cổng nạp dầu xích (B).

Để tránh thanh dẫn bị mòn một bên, hãy lật lại thanh dẫn mỗi khi bạn thay thế hoặc mài sắc xích cưa.

Nếu rãnh bị mòn, cong hoặc biến dạng, hãy thay thanh dẫn.

## Kiểm tra bánh xích (Hình 17)

Kiểm tra xem bánh xích có bị mòn hay không cứ 50 giờ sử dụng một lần. Thay bánh xích nếu vạch mòn là 0,3 mm hoặc sâu hơn.

## Kiểm tra xích cưa

Khi bạn thấy xích cưa bị mòn, biến dạng hoặc nứt gãy hoặc bạn cần nỗ lực hơn khi cắt, hãy thay xích cưa hoặc yêu cầu trung tâm dịch vụ được ủy quyền của Makita mài sắc xích cưa.

## Bôi trơn các bộ phận di chuyển (Hình 18)

**CHÚ Ý:** Làm theo hướng dẫn về tần suất và lượng nhớt cung cấp. Nếu không, mức bôi trơn không đủ có thể làm hỏng các bộ phận di chuyển.

Hộp chạy dao:

Tháo chốt tra mỡ (A) và đổ mỡ có nguồn gốc từ liti qua lỗ tra mỡ (B) sau mỗi 25 giờ hoạt động.

Trục dẫn động:

Tra mỡ (Shell Alvania số 2 hoặc tương đương) cứ 25 giờ vận hành một lần.

Mũi thanh dẫn:

Tra mỡ (Shell Alvania số 2 hoặc tương đương) từ lỗ tra mỡ (C) cứ 10 giờ vận hành một lần.

## Kiểm tra tổng thể

- Vận chặt bu-lông, đai ốc và vít.
- Kiểm tra các bộ phận bị hỏng. Yêu cầu trung tâm dịch vụ được ủy quyền của Makita thay thế các bộ phận đó.
- Kiểm tra tấm giữ thanh dẫn. Nếu bị nứt hoặc biến dạng, hãy thay thế.

## Cắt giữ

**⚠ CẢNH BÁO:** Làm theo cảnh báo và lưu ý trong chương “Lưu ý an toàn” và tài liệu hướng dẫn về thiết bị điện.

Khi cắt giữ phụ tùng máy cưa cột tách riêng với thiết bị điện, hãy đậy nắp cho đầu trục. (Hình 19)

## Lịch bảo dưỡng

Số giờ vận hành		Trước khi Vận hành	Hàng ngày (10 giờ)	25 giờ	50 giờ	Nếu cần	Trang tương ứng
Toàn bộ thiết bị	Kiểm tra các bộ phận bị hỏng bằng mắt thường	○					52
Tất cả các vít và đai ốc cố định	Siết chặt	○					52
Cổng nạp dầu xích	Làm sạch		○				52
Thanh dẫn	Làm sạch rãnh và cổng nạp dầu xích		○				52
	Kiểm tra bằng mắt thường		○				52
	Tra mỡ cho mũi		○				52
Hộp chạy dao	Tra mỡ			○		52	
Trục dẫn động	Tra mỡ			○		52	
Bánh xích	Kiểm tra bằng mắt thường				○		52
Xích cưa	Thay hoặc yêu cầu mài sắc					○	52
Thiết bị điện	Tham khảo tài liệu hướng dẫn về thiết bị điện						

## Khắc phục sự cố

Sự cố	Nguyên nhân có thể	Giải pháp
Máy không khởi động. Máy dừng ngay sau khi khởi động. Tốc độ tối đa bị giới hạn.	Tham khảo tài liệu hướng dẫn về thiết bị điện.	
Xích cưa không di chuyển. → <b>Dừng máy ngay lập tức!</b>	Thanh dẫn bị cong hoặc bị hỏng. Cành con bị kẹt vào xích cưa. Hệ thống dẫn động không hoạt động đúng cách.	Thay thanh dẫn. Gỡ bỏ vật lạ. Yêu cầu trung tâm dịch vụ được uỷ quyền của Makita kiểm tra và sửa chữa.
Máy rung bất thường. → <b>Dừng máy ngay lập tức!</b>	Hệ thống dẫn động không hoạt động đúng cách.	Yêu cầu trung tâm dịch vụ được uỷ quyền của Makita kiểm tra và sửa chữa.
Xích cưa không dừng lại. → <b>Dừng máy ngay lập tức!</b>	Thiết bị điện không hoạt động đúng cách.	Tham khảo tài liệu hướng dẫn về thiết bị điện.
Dầu xích không được cấp.	Bình dầu rỗng.	Nạp dầu xích vào bình dầu.
	Cổng nạp dầu xích bị bẩn.	Lau sạch cổng nạp dầu xích trên thiết bị và thanh dẫn.
	Vít điều chỉnh tốc độ nạp dầu xích không được đặt đúng.	Đặt đúng vít điều chỉnh.

## Dữ liệu kỹ thuật

Kiểu máy		EY401MP
Kích thước (D x R x C)	mm	1.166 x 74 x 105
Khối lượng	kg	1,0
Độ dài thanh dẫn	mm	255 (10")
Xích cưa		91VXL-39E
Bạc dẫn xích	inch	0,050"
Số răng bánh xích		7
Dầu xích		Dầu xích chính hãng của Makita
Bơm dầu xích		Bơm pittông (Loại tự bôi trơn)
Dung tích bình dầu xích	ml	120
Tỷ số truyền (tốc độ tăng)		0,94

## บทนำ

ขอขอบคุณสำหรับการสั่งซื้อส่วนประกอบที่เกี่ยวข้องของ Makita ส่วนประกอบนี้ได้รับการออกแบบขึ้นให้ติดตั้งกับเครื่องมือไฟฟ้าของ Makita ที่กล่าวถึงในคู่มือใช้งานนี้

ก่อนการใช้งาน โปรดอ่านคู่มือฉบับนี้และคู่มือใช้งานของเครื่องมือไฟฟ้า การกระทำเช่นนี้จะช่วยให้คุณสามารถใช้งานส่วนประกอบที่เกี่ยวข้องของ Makita ได้อย่างปลอดภัยและมีประสิทธิภาพสูงสุด

สารบัญ	หน้า
บทนำ .....	55
สัญลักษณ์ .....	55
เครื่องมือไฟฟ้าที่ผ่านการรับรอง .....	55
รายละเอียดของชิ้นส่วนต่างๆ .....	56
ข้อควรระวังด้านความปลอดภัย .....	56
การประกอบและการปรับแต่ง .....	58
การตรวจสอบและการบำรุงรักษา .....	59
การจัดเก็บ .....	59
ตารางเวลาการดูแลรักษาเครื่อง .....	60
การแก้ไขปัญหา .....	60
ข้อมูลทางเทคนิค .....	61

## สัญลักษณ์

มีการใช้สัญลักษณ์ต่อไปนี้บนส่วนประกอบและคู่มือใช้งานฉบับนี้ ทำความเข้าใจเกี่ยวกับคำจำกัดความเหล่านี้



อ่านและปฏิบัติตามคู่มือใช้งาน



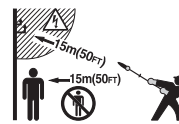
ใช้ความระมัดระวังเป็นพิเศษ!



สวมหมวกนิรภัย แว่น และเครื่องป้องกันหู



สวมรองเท้าบูตอย่างหนาที่มีพื้นกันลื่น



รักษาระยะห่างระหว่างอุปกรณ์และผู้ปฏิบัติงานใกล้เคียง และ/หรือสายไฟอย่างน้อย 15 ม. (50 ฟุต) (รวมถึงการสัมผัสกับกิ่งไม้) ความเสี่ยงจากการเกิดไฟฟ้าช็อต และ/หรือการบาดเจ็บ



อย่าถือเลื่อยเกี่ยวกับมุมเกินกว่า 60°



น้ำมันโซ้



การปฐมพยาบาล

## เครื่องมือไฟฟ้าที่ผ่านการรับรอง

ส่วนประกอบนี้ได้รับการรับรองให้ใช้งานร่วมกับเครื่องมือไฟฟ้าต่อไปนี้เท่านั้น:

EX2650LH หัวตัดไฟฟ้าอเนกประสงค์

HXU01, HXU02, BUX360, BUX361, BUX362, UX360D, UX361D, UX362D

หัวตัดไฟฟ้าอเนกประสงค์แบบไร้สาย

**⚠ คำเตือน:** อย่าใช้ส่วนประกอบนี้ร่วมกับเครื่องมือไฟฟ้าที่ไม่ผ่านการรับรอง ชิ้นส่วนที่ไม่ผ่านการรับรองอาจทำให้เกิดการบาดเจ็บรุนแรง

## รายละเอียดของชิ้นส่วนต่างๆ (ภาพที่ 1)

หมายเลขด้านล่างแสดงตามภาพประกอบ

1. เพลลา
2. กระปุกเฟืองเกียร์
3. ฝาปิดถังน้ำมันเครื่อง
4. ถังน้ำมัน
5. มือจับบาร์
6. โกวด์บาร์
7. โซ่เลื่อย
8. ที่ครอบโกวด์บาร์

## ข้อควรระวังด้านความปลอดภัย

**⚠ คำเตือน:** อ่านคำเตือนด้านความปลอดภัยและคำแนะนำทั้งหมดในคู่มือฉบับนี้และคู่มือใช้งานของเครื่องมือไฟฟ้า การไม่ปฏิบัติตามคำเตือนและคำแนะนำดังกล่าวอาจส่งผลให้เกิดไฟฟ้าช็อต ไฟไหม้ และ/หรือได้รับบาดเจ็บอย่างร้ายแรง

เก็บรักษาคำเตือนและคำแนะนำทั้งหมดไว้เป็นข้อมูลอ้างอิงในอนาคต คำว่า "เลื่อยเกี่ยว" และ "อุปกรณ์" ในคำเตือนและข้อควรระวัง หมายถึง ส่วนประกอบและเครื่องมือไฟฟ้ารวมกัน คำว่า "มอเตอร์" ในคำเตือนและข้อควรระวัง หมายถึง เครื่องยนต์หรือมอเตอร์ไฟฟ้าของเครื่องมือไฟฟ้า

### วัตถุประสงค์ในการใช้งาน

- ส่วนประกอบนี้ได้รับการออกแบบขึ้นเพื่อใช้ในการตัดแต่งกิ่งและก้านของต้นไม้ที่มีเส้นผ่านศูนย์กลางน้อยกว่า 15 ซม. โดยใช้งานร่วมกับเครื่องมือไฟฟ้าที่ผ่านการรับรอง อย่าใช้ส่วนประกอบในวัตถุประสงค์อื่น การใช้ส่วนประกอบผิดวัตถุประสงค์อาจทำให้ได้รับบาดเจ็บรุนแรง

### ข้อควรระวังทั่วไป

- ก่อนการใช้งานเลื่อยเกี่ยว โปรดอ่านคู่มือฉบับนี้และคู่มือใช้งานของเครื่องมือไฟฟ้าเพื่อให้มีความคุ้นเคยกับการใช้งานเลื่อยเกี่ยว
- ไม่อนุญาตให้ผู้ที่ไม่มีประสบการณ์หรือความรู้เพียงพอเกี่ยวกับการจัดการเลื่อยเกี่ยวใช้งานส่วนประกอบนี้
- เมื่ออนุญาตใช้งานส่วนประกอบ ควรสวมคู่มือใช้งานนี้ให้ด้วยเสมอ
- ไม่อนุญาตให้เด็กและผู้ที่มีอายุต่ำกว่า 18 ปีใช้งานเลื่อยเกี่ยว กันพวกเขาให้อยู่นอกจากเลื่อยเกี่ยว
- ใช้เลื่อยเกี่ยวด้วยความระมัดระวังสูงสุดเสมอ
- อย่าใช้งานเลื่อยเกี่ยวหลังจากการดื่มเครื่องดื่มแอลกอฮอล์หรือรับประทานยาหรือเมื่อรู้สึกเหนื่อยล้าหรือไม่สบาย
- อย่าพยายามดัดแปลงส่วนประกอบ
- การใช้งานอุปกรณ์นี้อาจถูกจำกัดโดยข้อกำหนดในประเทศบางประเทศ ปฏิบัติตามข้อกำหนดเกี่ยวกับการใช้งานเลื่อยเกี่ยวและโซ่เลื่อยในประเทศของคุณ

### อุปกรณ์ป้องกันส่วนบุคคล

- สวมหมวกนิรภัย, แวนตากันฝุ่น และถุงมือป้องกันเพื่อป้องกันตัวคุณเองจากเศษวัสดุที่ปลิวมาหรือวัตถุที่ร่วงหล่น (ภาพที่ 2)
- สวมเครื่องป้องกันเสียงรบกวน เช่น ที่ครอบหูลดเสียงเพื่อป้องกันการสูญเสียการได้ยิน
- สวมชุดและรองเท้าที่เหมาะสมเพื่อป้องกันความปลอดภัย ได้แก่ สวมชุดหมีสำหรับทำงานและรองเท้ากันลื่นที่มีความหนา อย่าสวมเครื่องแต่งกายที่หลวมเกินไปหรือเครื่องประดับ เสื้อผ้ารุ่มร่าม เครื่องประดับ หรือผมที่มีความยาวอาจเข้าไปติดในชิ้นส่วนที่เคลื่อนที่
- ในขณะที่ใช้งานโซ่เลื่อยหรือปรับความตึงของโซ่ ให้สวมถุงมือป้องกัน เพราะเลื่อยอาจบาดมือเปล่าให้ได้รับบาดเจ็บรุนแรง

## ความปลอดภัยของพื้นที่ทำงาน

- **⚠ อันตราย:** รักษาระยะห่างระหว่างเลื่อยเกี่ยวจากสายไฟ และสายโทรศัพท์อย่างน้อย 15 ม. (รวมถึงการที่เลื่อยเกี่ยวสัมผัสกับกิ่งไม้) การที่เลื่อยเกี่ยวสัมผัสหรือเกี่ยวกับสายไฟฟ้าแรงสูงอาจทำให้ได้รับอันตรายถึงเสียชีวิตหรือได้รับบาดเจ็บสาหัส ระเบิดระงังสายไฟและรั่วไฟฟ้าวรอบๆ พื้นที่การทำงานก่อนเริ่มต้นทำงาน
  - ใช้เลื่อยเกี่ยวในสภาพที่มีแสงสว่างและมองเห็นได้ชัดเท่านั้น อย่าใช้เลื่อยเกี่ยวในสภาพที่มีความมืดหรือมีหมอกหนา
  - เริ่มต้นและใช้งานเครื่องยนต์ในบริเวณกลางแจ้งและเป็นพื้นที่ที่มีภาวะเบาอากาศดีเท่านั้น การทำงานในพื้นที่ปิดทึบหรือมีภาวะเบาอากาศไม่ดีอาจทำให้ได้รับอันตรายถึงเสียชีวิตเนื่องจากการขาดอากาศหายใจหรือการสูดดมแก๊สพิษคาร์บอนมอนอกไซด์
  - ในระหว่างทำงาน อย่ายืนบนพื้นผิวที่ไม่มั่นคงหรือลื่น หรือบนทางลาดชัน ในช่วงฤดูหนาว ให้ระมัดระวังน้ำแข็งและหิมะ และจัดทำกรงยึดใหม่บนคองเสมอ
  - ในระหว่างทำงาน กันบุคคลรอบข้างหรือสัตว์ต่างๆ ให้อยู่ห่างจากเลื่อยเกี่ยวอย่างน้อย 15 ม. หยุดการทำงานเมื่อตระหนักว่ามีบุคคลเข้าใกล้
  - ก่อนการทำงาน ให้ตรวจสอบพื้นที่ทำงานสำหรับรั้วลวดหนาม ผนัง หรือวัตถุแข็งอื่นๆ วัตถุดังกล่าวสามารถทำให้เลื่อยชำรุดเสียหาย
  - **⚠ คำเตือน:** การใช้งานผลิตภัณฑ์นี้อาจสร้างฝุ่นผงที่มีส่วนประกอบของสารเคมีซึ่งอาจเป็นสาเหตุของโรคทางเดินหายใจหรือโรคอื่นๆ ตัวอย่างของสารเคมีเหล่านี้ ได้แก่ สารประกอบที่พบในยาฆ่าวัชพืชรบกวน, ยาฆ่าแมลง, ปุ๋ย และยากำจัดวัชพืช
- ความเสี่ยงของคุณจากการสัมผัสสารเคมีดังกล่าวจะแตกต่างกันขึ้นอยู่กับความถี่ที่คุณทำงานประเภทนี้ หากต้องการลดการสัมผัสกับสารเคมีเหล่านี้: ทำงานในพื้นที่ที่มีภาวะเบาอากาศดี และใช้อุปกรณ์นิรภัยที่ได้รับการอนุมัติได้แก่ หน้ากากกันฝุ่นที่ได้รับการออกแบบเป็นพิเศษในการกรองอนุภาคที่มีขนาดเล็กมาก

### การนำมาใช้งาน

- ก่อนทำการประกอบหรือการปรับเปลี่ยนอุปกรณ์ ให้ปิดสวิตช์มอเตอร์ และนำฝาครอบหัวเทียน หรือดัดลบแบตเตอรี่ออก
- ก่อนการใช้งานโซ่เลื่อยหรือปรับความตึงของโซ่ ให้สวมถุงมือป้องกัน
- ก่อนการสตาร์ทมอเตอร์ ให้ตรวจสอบอุปกรณ์เพื่อดูว่ามีความชำรุดเสียหาย, สกรู/น็อตที่หลวม หรือการประกอบที่ไม่ถูกต้องหรือไม่ ลับเลื่อยที่ถือให้คม หากโซ่เลื่อยโค้งงอหรือชำรุดเสียหาย ให้เปลี่ยนใหม่ ตรวจสอบคันโยกควบคุมและสวิตช์ทั้งหมดเพื่อให้ทำงานง่าย ทำความสะอาดและเช็ดมือจับให้แห้ง
- ห้ามสตาร์ทมอเตอร์ หากอุปกรณ์ชำรุดเสียหาย หรือไม่ได้ประกอบชิ้นส่วนอย่างสมบูรณ์ เพราะอาจทำให้ได้รับบาดเจ็บอย่างร้ายแรง
- ปรับสายสะพายไหล่และที่จับเพื่อให้เหมาะกับขนาดร่างกายของผู้ใช้งาน
- ปรับความตึงของโซ่ให้เหมาะสม เดิมน้ำมันโซ่ ในกรณีจำเป็น

### การสตาร์ทมอเตอร์

- สวมอุปกรณ์ป้องกันส่วนบุคคลก่อนการสตาร์ทมอเตอร์
- สตาร์ทเครื่องยนต์ให้ห่างจากจุดเติมน้ำมันอย่างน้อย 3 เมตร (10 ฟุต)
- ก่อนการสตาร์ทมอเตอร์ ให้ตรวจสอบว่าไม่มีบุคคลหรือสัตว์อยู่ในบริเวณที่ทำงาน
- ขณะที่ทำการสตาร์ทเครื่องยนต์ หรือเสียบดัดลบแบตเตอรี่ ระเบิดระงังอย่าให้โซ่เลื่อยและโกวด์บาร์สัมผัสกับร่างกายของคุณและวัตถุอื่นๆ รวมถึงพื้น โซ่เลื่อยอาจเคลื่อนที่เมื่อเริ่มต้นทำงาน และอาจทำให้บาดเจ็บรุนแรง หรือสร้างความเสียหายต่อเครื่องเลื่อยและ/หรือทรัพย์สิน
- วางอุปกรณ์ลงบนพื้นที่ไม่มั่นคง รักษาสมดุลให้ดีและจัดทำกรงยึดใหม่บนคอง
- ในขณะที่ดึงลูกบิดสตาร์ทเครื่อง ให้ใช้มือซ้ายถือเครื่องมือไฟฟ้าอย่างมั่นคงและขนานกับพื้น อย่ายื่นไปเหยียบบนเพลลาขับเคลื่อนของเครื่องมือไฟฟ้า (ภาพที่ 3)
- ปฏิบัติตามคู่มือใช้งานของเครื่องมือไฟฟ้าก่อนการสตาร์ทมอเตอร์
- ตรวจสอบว่าความแตกต่างระหว่างความเร็วในอัตรารอบเดินเบาและความเร็วของการทำงานปกติมีความเหมาะสมเพื่อให้มั่นใจว่าส่วนประกอบจะอยู่กับที่ในขณะที่ เครื่องยนต์กำลังเดินเบา (หากจำเป็น ให้ลดความเร็วในอัตรารอบเดินเบา)



- หากเครื่องที่ในอัตรารอบเดินเบา หยุดเครื่องยนต์และปรับความเร็วในอัตรารอบเดินเบาให้ลดลง

## การทำงาน

- ในกรณีฉุกเฉิน ให้ปิดสวิตช์มอเตอร์ทันที
- หากคุณรู้สึกว่าการเกิดอุบัติเหตุขึ้น (เช่น เสียแรงบิด, การสั่นสะเทือน) ในระหว่างการทำงาน ให้ปิดสวิตช์มอเตอร์ อย่าใช้งานอุปกรณ์ จนกว่าจะรู้สึกปลอดภัยและแก้ไขปัญหาแล้ว
- ใช้เลื่อยจะยังคงหมุนต่อไปสักครู่หนึ่งหลังจากปล่อยไกคันเร่งน้ำมัน หรือปิดสวิตช์มอเตอร์ อย่ารีบร้อนสัมผัสใช้เลื่อย
- ประกอบสายสะพายไหล่ เมื่อเครื่องยังทำงานในอัตรารอบเดินเบาเท่านั้น
- ในระหว่างทำงาน ให้ใช้สายสะพายไหล่ ถืออุปกรณ์ทางด้านขวาของคุณอย่างมั่นคง (ภาพที่ 4)
- จับมือจับด้านหน้าด้วยมือซ้าย และมือจับด้านหลังด้วยมือขวา ไม่ว่าคุณจะเป็นคนที่ถนัดขวาหรือถนัดซ้ายก็ตาม กำรอบมือจับให้แน่นโดยให้นิ้วหัวแม่มือชนกับนิ้วอื่น
- อย่าพยายามใช้งานอุปกรณ์เพียงมือเดียว การสูญเสียความควบคุมอาจทำให้เกิดการบาดเจ็บอย่างรุนแรงหรือเสียชีวิต เพื่อลดความเสี่ยงจากการบาดเจ็บระวังให้มือและเท้าของคุณอยู่ห่างจากใบเลื่อย
- อย่าทำงานในระยะที่ชิดเอื้อม จัดท่าการยืนและการทรงตัวให้เหมาะสม ตลอดเวลา ระวังสิ่งกีดขวางที่ซ่อนอยู่ เช่น ต้นไม้, รากไม้ และคูน้ำเพื่อป้องกันการสะดุด นำกิ่งไม้ที่ร่วงหล่นลงมาและวัตถุอื่นออกไปไว้ให้ห่าง
- อย่าทำงานบนบันไดหรือต้นไม้เพื่อป้องกันการสูญเสียความควบคุม
- หากอุปกรณ์ได้รับแรงกระแทกอย่างรุนแรง หรือร่วงหล่น ให้ตรวจสอบสภาพของอุปกรณ์ก่อนการทำงานต่อไป ตรวจสอบระบบเชื้อเพลิงเพื่อตรวจการรั่วไหลของน้ำมันเชื้อเพลิง และอุปกรณ์ควบคุมและอุปกรณ์นิรภัยอื่นๆ เพื่อตรวจการทำงานที่ผิดปกติ หากมีความเสียหาย หรือข้อสงสัยต่างๆ ควรสอบถามศูนย์บริการที่ได้รับอนุญาตของ Makita เพื่อทำการตรวจสอบและซ่อมแซม
- อย่าสัมผัสสกรูเพื่องเกียร์ กระพุกเพื่องเกียร์อาจมีความร้อนระหว่างการทำงาน
- หยุดพักสักครู่เพื่อป้องกันการสูญเสียความควบคุมอันเนื่องมาจากความเหนื่อยล้า ขอแนะนำให้คุณหยุดพัก 10 - 20 นาทีทุกหนึ่งชั่วโมง
- เมื่อคุณปล่อยอุปกรณ์ทิ้งไว้แฉะในระยสั้นๆ ควรปิดสวิตช์เครื่องยนต์หรือถอดสลับแบตเตอรี่ออกทุกครั้ง อุปกรณ์ที่ถูกทิ้งไว้โดยไม่มีผู้ดูแลโดยที่เครื่องยังทำงานอยู่ อาจมีผู้ที่ไม่ได้รับอนุญาตนำไปใช้งาน และทำให้เกิดอุบัติเหตุรุนแรงได้
- ปฏิบัติตามคู่มือใช้งานของเครื่องมือไฟฟ้าเพื่อให้สามารถใช้งานกันอย่างปลอดภัยและสวิตช์อย่างเหมาะสม
- ให้ความใส่ใจต่อสภาพแวดล้อม หลีกเลี่ยงการเร่งน้ำมันโดยไม่จำเป็นเพื่อทำให้เกิดมลภาวะและเสียงรบกวนน้อยลง ปรับแต่งคาร์บูเรเตอร์อย่างถูกต้อง
- ในระหว่างหรือหลังจากการทำงาน อย่าวางอุปกรณ์ที่มีความร้อนสูงไว้บนหญ้าแห้งหรือวัตถุที่ติดไฟได้
- อย่ายกมือขวาค้างไว้ที่ความสูงเหนือไหล่
- ในระหว่างการทำงาน อย่าให้เครื่องเลื่อยกระแทกเข้ากับวัตถุแข็ง เช่น ก้อนหินและตะปู ใช้ความระมัดระวังเป็นพิเศษเมื่อทำการตัดกิ่งไม้ใกล้กับผนัง รั้ว ลวดหนาม หรือวัตถุที่มีลักษณะใกล้เคียง
- หากมีกิ่งไม้เข้าไปติดอยู่ในส่วนประกอบ ให้หยุดการทำงานของมอเตอร์และถอดฝาครอบหัวเทียนหรือสลับแบตเตอรี่ออก มิฉะนั้น ท่านอาจสตาบ์หรือบาดเจ็บโดยไม่ได้ตั้งใจ และอาจทำให้ได้รับบาดเจ็บร้ายแรงได้
- หากใช้เลื่อยเริ่มอุดตัน ให้ปิดสวิตช์มอเตอร์ และถอดฝาครอบหัวเทียนหรือสลับแบตเตอรี่ออกก่อนทำความสะอาด
- การเร่งเครื่องมอเตอร์โดยที่หากใช้เลื่อยยังอุดตันจะเป็นการเพิ่มภาระงานของเครื่อง และอาจทำให้มอเตอร์ และหรือคัตเตอร์ชำรุดเสียหาย
- ก่อนการตัดกิ่งไม้ ให้หันพื้นที่หลบหนีไว้ให้พ้นจากกิ่งไม้ที่ร่วงหล่น ก่อนอื่น ให้ นำสิ่งกีดขวาง เช่น กิ่งและก้านไม้ ออกจากบริเวณที่ทำงาน ย้ายเครื่องมือและอุปกรณ์ทั้งหมดออกจากพื้นที่กันระยะไว้ไปยังสถานที่ปลอดภัย
- ก่อนตัดก้านและกิ่งไม้ ให้ตรวจสอบทิศทางการร่วงหล่นของมัน ศึกษาสภาพของก้านและกิ่งไม้ ต้นไม้ใกล้เคียง ทิศทางลม ฯลฯ ระมัดระวังอย่างเต็มที่ที่

เกี่ยวกับทิศทางการร่วงหล่นและการกระเด็นหรือดีดกลับของกิ่งไม้ที่ตกกระแทกกับพื้น



อย่าถือเลื่อยด้วยมุมเกินกว่า 60° มิฉะนั้น วัตถุที่ร่วงลงมาอาจกระแทกโดนผู้ปฏิบัติงาน และทำให้ได้รับบาดเจ็บรุนแรง อย่ายืนใต้กิ่งไม้ที่จะตัด

- ระมัดระวังกิ่งไม้ที่หักหรือโค้งงอ เพราะกิ่งไม้ดังกล่าวอาจดีดกลับในขณะที่ตัดทำให้เกิดการบาดเจ็บอย่างคาดคิด
- ก่อนการตัดกิ่งไม้ท่อนที่คุณต้องการตัด ให้นำกิ่งไม้และใบไม้รอบๆ ออกไป มิฉะนั้นเลื่อยอาจเข้าไปติดได้
- เพื่อป้องกันเลื่อยเข้าไปติดในรอยตัด อย่าปล่อยคันเร่งน้ำมันก่อนที่จะดึงเลื่อยออกจากรอยตัด
- หากใช้เลื่อยกระเด็นกลับเข้าไปในรอยตัด ให้หยุดการทำงานมอเตอร์ทันที และค่อยๆ ย้ายกิ่งไม้อย่างระมัดระวังเพื่อเปิดรอยตัด และปล่อยใช้
- หลีกเลี่ยงการดีดกลับ (แรงปฏิกิริยาจากการหมุนที่ตีกลับไปยังผู้ปฏิบัติงาน) เพื่อป้องกันการดีดกลับ อย่าใช้ปลายโกดบาร์หรือทำการตัดที่เป็นรอยลึกเข้าไป ระมัดระวังตำแหน่งของปลายโกดบาร์เสมอ
- ตรวจสอบความตึงของโซ่บ่อยๆ ก่อนทำการตรวจสอบหรือการปรับเปลี่ยนความตึงของโซ่ ให้ปิดสวิตช์มอเตอร์ และนำฝาครอบหัวเทียน หรือสลับแบตเตอรี่ออก หากความตึงของโซ่หลวมไป ปรับให้พอดี

## แรงสั่นสะเทือน

- บุคคลที่มีปัญหาเกี่ยวกับการไหลเวียนของเลือดและได้รับแรงสั่นสะเทือนมากเกินไปอาจได้รับบาดเจ็บบริเวณหลอดเลือดหรือระบบประสาท การสั่นสะเทือนอาจเป็นสาเหตุของอาการต่อไปนี้ที่บริเวณนิ้วมือ มือ หรือข้อมือ "ชา" (หมดความรู้สึก) ปวด เจ็บ ปวดเหมือนถูกแทง สิวหรือผิวน้ำแข็งเปลี่ยนแปลง หากเกิดอาการเหล่านี้ โปรดไปพบแพทย์!
- เพื่อลดความเสี่ยงต่อการเกิด "อาการนิ้วชี้ขาว" เนื่องจากเลือดไม่ไปเลี้ยงปลายนิ้ว" ในระหว่างการทำงาน ควรให้มือของคุณอบอุ่นอยู่เสมอ และดูแลรักษาอุปกรณ์และอุปกรณ์เสริมต่างๆ ให้อยู่ในสภาพสมบูรณ์

## การขนย้าย

- ก่อนทำการขนย้ายอุปกรณ์ ให้ปิดสวิตช์มอเตอร์ และนำฝาครอบหัวเทียน หรือสลับแบตเตอรี่ออก ประกอบที่ครอบโกดบาร์ทุกครั้งระหว่างการขนส่ง
- เมื่อทำการขนย้ายอุปกรณ์ ให้วางอุปกรณ์ในแนวนอนโดยถือเอาไว้กับตัวเก็บเสียงที่มีความร้อนให้อยู่ห่างจากร่างกายของคุณ
- เมื่อทำการขนย้ายอุปกรณ์ในรถยนต์ ให้ยึดอุปกรณ์อย่างถูกต้องเพื่อป้องกันการพลิกคว่ำ มิฉะนั้นอาจทำให้เกิดการรั่วไหลของน้ำมันและเกิดความเสียหายต่ออุปกรณ์และสิ่งอื่นๆ

## การดูแลรักษา

- หากต้องการตรวจสอบข้อมูลอุปกรณ์ของคุณ ควรใช้ศูนย์บริการที่ได้รับอนุญาตของเราเป็นผู้ดำเนินการ และควรใช้ชิ้นส่วนอะไหล่ของแท้เท่านั้น การซ่อมแซมที่ไม่ถูกต้องและการดูแลรักษาที่ไม่ดีพออาจทำให้อายุการใช้งานของอุปกรณ์สั้นลงและเพิ่มความเสี่ยงต่อการเกิดอุบัติเหตุ
- ก่อนทำงานบำรุงรักษาหรืองานซ่อมแซมหรือการทำความสะอาดอุปกรณ์ ให้ปิดสวิตช์มอเตอร์ และถอดฝาครอบหัวเทียนหรือสลับแบตเตอรี่ออกก่อนทำความสะอาดทุกครั้ง รอจนกว่ามอเตอร์จะเย็นลง
- เพื่อลดความเสี่ยงของการเกิดไฟไหม้ อย่าทำการบำรุงรักษาอุปกรณ์ในบริเวณที่ใกล้กับเปลวไฟ
- สวมถุงมือป้องกันทุกครั้งเมื่อใช้งานใช้เลื่อย
- ทำความสะอาดฝุ่นผงและสิ่งสกปรกออกจากอุปกรณ์เสมอ อย่าใช้น้ำมันเชื้อเพลิง เบนซิน ทินเนอร์ แอลกอฮอล์ หรือวัสดุประเภทเดียวกัน เพราะอาจทำให้ส่วนประกอบพลาสติกมีสีซีดจาง ผิดรูปทรง หรือแตกหักได้
- หลังจากการใช้งานทุกครั้ง ให้ขันสกรูและน็อตทุกตัวให้แน่น ยกเว้นสกรูปรับแต่ง
- ลับใช้เลื่อยให้คมอยู่เสมอ หากใช้เลื่อยเริ่มทื่อและประสิทธิภาพการทำงานด้อยลง ขอให้ศูนย์บริการที่ได้รับอนุญาตของ Makita เพื่อทำการลับคมหรือเปลี่ยนโซ่ใหม่
- อย่าพยายามทำการบำรุงรักษาหรืองานซ่อมแซมที่ไม่ได้ระบุไว้ในคู่มือฉบับนี้


และคู่มือใช้งานของเครื่องมือไฟฟ้า ขอให้ศูนย์บริการที่ได้รับอนุญาตของ Makita ทำงานดังกล่าวแทน

- ใช้ชิ้นส่วนและอุปกรณ์เสริมของแท้ของ Makita เท่านั้น การใช้ชิ้นส่วนและอุปกรณ์จากผู้ผลิตอื่นอาจทำให้อุปกรณ์ใช้งานไม่ได้ ทรัพย์สินเสียหาย และ/หรือเกิดการบาดเจ็บอย่างรุนแรง
- ขอให้ศูนย์บริการที่ได้รับอนุญาตของ Makita ทำการตรวจสอบและบำรุงรักษาอุปกรณ์อย่างสม่ำเสมอ

### การจัดเก็บ

- ก่อนการจัดเก็บอุปกรณ์ ให้ทำความสะอาดและบำรุงรักษาอุปกรณ์อย่างละเอียด ติดตั้งที่ครอบโกด์บาร์ นำฝาครอบหัวเทียน หรือสลับแบตเตอรี่ออก ถ้าน้ำมันเชื้อเพลิงและน้ำมันโซลหลังจากที่เครื่องยนต์เริ่มเย็นลง
- จัดเก็บอุปกรณ์ในสถานที่ที่มีการระบายอากาศดีหรือปิดล็อกและอยู่ห่างจากมือเด็ก
- อย่าวางอุปกรณ์พียงกับสิ่งอื่น เช่น ผนัง มิฉะนั้นอุปกรณ์อาจร่วงหล่นลงมาซึ่งทำให้เกิดการบาดเจ็บ

### การปฐมพยาบาล

-  ควรมีชุดปฐมพยาบาลอยู่ในบริเวณใกล้เคียงเสมอ เปลี่ยนอุปกรณ์ที่ใช้งานแล้วออกจากกล่องชุดปฐมพยาบาลทันที
- ในกรณีที่โทรศัพท์ขอความช่วยเหลือ โปรดแจ้งข้อมูลต่อไปนี้:
  - สถานที่เกิดอุบัติเหตุ
  - เหตุการณ์ที่เกิดขึ้น
  - จำนวนผู้ได้รับบาดเจ็บ
  - ลักษณะของอาการบาดเจ็บ
  - ชื่อของคุณ

## การประกอบและการปรับแต่ง

### ⚠ คำเตือน:

- ก่อนทำการประกอบหรือการปรับเปลี่ยนอุปกรณ์ ให้ปิดสวิตช์เครื่องยนต์ และนำฝาครอบหัวเทียน หรือสลับแบตเตอรี่ออก มิฉะนั้นโซ่เลื่อยหรือชิ้นส่วนอื่นๆ อาจเคลื่อนที่และส่งผลให้ได้รับบาดเจ็บอย่างรุนแรง
- ก่อนการใช้งานโซ่เลื่อยหรือปรับความตึงของโซ่ ให้สวมถุงมือป้องกัน เพราะเลื่อยอาจบาดมือเปล่าให้ได้รับบาดเจ็บรุนแรง
- เมื่อทำการประกอบหรือการปรับเปลี่ยนอุปกรณ์ ให้วางอุปกรณ์ลงเสมอ การประกอบหรือการปรับเปลี่ยนอุปกรณ์ในแนวตั้งอาจทำให้เกิดการบาดเจ็บอย่างรุนแรง
- ปฏิบัติตามคำเตือนและข้อควรระวังในหัวข้อ "ข้อควรระวังด้านความปลอดภัย" ในคู่มือใช้งานของเครื่องมือไฟฟ้า

### การประกอบส่วนประกอบ (ภาพที่ 5)

ประกอบส่วนประกอบตามขั้นตอนต่อไปนี้

- คลายเกลียวสกรู (A) และ (B)
- เสียบเพลาลงเข้าไปบริเวณกระบอกเฟืองเกียร์ ตรวจสอบว่าสลัก (D) อยู่ด้านบน หากเสียบสลักเข้าไปจนสุดโดยยาก ให้หมุนแกนขับเคลื่อน (C) ด้วยมือ
- ปรับตำแหน่งรูตรงแกนเพลาลงตรงกับรูของสกรู (B)
- ก่อนอื่นขันสกรู (B) ให้แน่นแล้วจึงขันสกรู (A) ให้แน่นต่อมา

### การติดตั้งส่วนประกอบเข้ากับเครื่องมือไฟฟ้า (ภาพที่ 6)

ในการติดตั้งส่วนประกอบเข้ากับเครื่องมือไฟฟ้า ให้ปฏิบัติตามขั้นตอนข้างล่างนี้

- ตรวจสอบว่าไม่ได้ขันคันทันลอค (A) จนแน่น
- จัดตำแหน่งสลัก (B) ให้ตรงกับเครื่องหมายลูกศร (C)
- เสียบเพลาลงไปในเพลาลงขับเคลื่อนของเครื่องมือไฟฟ้าจนกว่าปุ่มปลดลอค (D)

จะไหลขึ้นมา

- ขันก้านลอค (A) ให้แน่นตามภาพประกอบ

ในการถอดส่วนประกอบ ให้คลายเกลียวก้านลอค กดปุ่มลอค และถอนแกนเพลาลงออกมา

**หมายเหตุ:** อย่าขันก้านลอค (A) จนแน่นโดยที่ยังไม่ได้เสียบเพลาลง ส่วนประกอบ มิฉะนั้น ก้านลอคอาจบีบทางเข้าของเพลาลงขับเคลื่อนจนแน่นเกินไป และทำให้เพลาลงชำรุดเสียหาย

### การประกอบโซ่เลื่อยและโกด์บาร์

⚠ **ข้อควรระวัง:** ตรวจสอบว่าโซ่เลื่อย โกด์บาร์ และเฟืองโซ่มีขนาดและระยะห่างตรงกัน

ประกอบโซ่เลื่อยและโกด์บาร์ตามขั้นตอนต่อไปนี้ (ภาพที่ 7-9)

- คลายเกลียวน็อต (A) และถอดมือจับบาร์ (B) ออก
- หมุนสกรูปรับความตึงโซ่ (C) ทวนเข็มนาฬิกา จนกระทั่งน็อตปรับความตึงโซ่ (D) สัมผัสกับปลายด้านซ้าย

**หมายเหตุ:** อย่าหมุนสกรูปรับความตึงโซ่ทวนเข็มนาฬิกามากเกินไป มิเช่นนั้น สกรูปรับความตึงโซ่และน็อตปรับความตึงโซ่จะหลุดออกจากตัวเรือน

- ประกอบโซ่เลื่อย (E) เข้าไปในร่องของโกด์บาร์ (F) เริ่มต้นที่ปลายโกด์บาร์
- จัดวางโบลต์ปรับตำแหน่ง (G) เข้ากับรอยแยกของโกด์บาร์ (H) แล้วใส่โซ่เลื่อย (E) ลงบนเฟืองโซ่ (I) ตรวจสอบว่าโซ่เลื่อยเข้าพอดีตลอดโกด์บาร์ในขณะที่ทำตามขั้นตอน
- ติดตั้งโกด์บาร์ (F) โดยให้น็อตปรับความตึงโซ่ (D) พอดีกับรู (J) ที่อยู่บนโกด์บาร์ จะไม่ใช้รู (K)
- ใส่โซ่เลื่อยลงบนร่องของโกด์บาร์ให้ถูกต้อง หากโซ่เลื่อยไม่ได้ถูกใส่ลงในร่องของโกด์บาร์อย่างถูกต้องในขั้นตอนนี้ ให้ปรับแล้วจัดให้ถูกต้อง
- ประกอบมือจับบาร์ (B) และขันน็อต (A) ให้แน่น จากนั้นให้คลายเกลียวน็อตเครื่องรอบตามข้อกำหนดของการปรับความตึงโซ่
- ปรับความตึงของโซ่ ดูหัวข้อ "การปรับความตึงของโซ่"

⚠ **ข้อควรระวัง:**

- ปรับความตึงของโซ่ให้เหมาะกับการใช้งานเสมอ ความตึงที่หย่อนเกินไปจะทำให้โซ่เลื่อยหลุดจากรางได้ (ภาพที่ 10)

การถอดโซ่เลื่อยและโกด์บาร์ ก่อนอื่นให้หมุนสกรูปรับความตึงโซ่ (C) ทวนเข็มนาฬิกา ดึงโซ่เลื่อยออกเพื่อให้โซ่เลื่อยหลุดออกจากร่องของโกด์บาร์ แล้วจึงถอดออกจากตัวเรือน (ภาพที่ 11)

### การปรับความตึงของโซ่

⚠ **คำเตือน:**

- ก่อนทำการตรวจสอบหรือการปรับเปลี่ยนความตึงของโซ่ ให้ปิดสวิตช์มอเตอร์ และนำฝาครอบหัวเทียน หรือสลับแบตเตอรี่ออก
- ก่อนทำการตรวจสอบหรือการปรับเปลี่ยนความตึงของโซ่ ให้สวมถุงมือป้องกัน

⚠ **ข้อควรระวัง:**

- ปรับความตึงของโซ่ให้เหมาะสม การคลายความตึงโซ่อาจทำให้โซ่เลื่อยหลุดออกมาระหว่างการทำงาน ความตึงที่มากเกินไปอาจทำให้โซ่เลื่อยหรือโกด์บาร์ชำรุดเสียหาย
- ระหว่างการทำงาน ตรวจสอบความตึงของโซ่บ่อยๆ โซ่เลื่อยจะยืดออกและเริ่มหลวมระหว่างการทำงาน เมื่อใช้โซ่เลื่อยใหม่ ควรปรับความตึงของโซ่บ่อยๆ (ภาพที่ 12)

ปรับความตึงของโซ่ตามขั้นตอนต่อไปนี้

- คลายเกลียวน็อต (A) เครื่องรอบ
- ถือปลายโกด์บาร์ที่ขัน หมุนสกรูปรับความตึง (B) ตามเข็มนาฬิกาจนกว่าโซ่เลื่อยจะเข้าไปอยู่ทางข้างใต้ของโกด์บาร์พอดี
- ใช้มือดึงโซ่เลื่อยตามแนวโกด์บาร์ หากโซ่เลื่อยขยับได้ยาก ให้หมุนสกรูปรับความตึงทวนเข็มนาฬิกาเล็กน้อย และทำขั้นตอนที่ 2 ซ้ำอีกครั้ง
- ขันน็อต (A) ให้แน่น

## การเติมน้ำมันโซลิ่งในถัง

ต้องทำการหล่อลื่นโซลิ่งด้วยน้ำมันโซลิ่งระหว่างการทำงาน ก่อนการทำงาน ให้เติมน้ำมันโซลิ่งในถัง หลังจากเติมน้ำมันแล้ว ให้ขันฝาปิดถังน้ำมันให้แน่น ใช้แต่น้ำมันโซลิ่งของแท้ของ Makita เท่านั้น

**หมายเหตุ:** อย่าใช้น้ำมันที่โซลิ่งแล้ว เพราะอาจทำให้มีน้ำมันเสียหาย ในระหว่างการทำงาน ให้คอยตรวจสอบระดับน้ำมันเสมอ เติมน้ำมันลงในถัง หากระดับน้ำมันเริ่มน้อยลง น้ำมันจะหมดถึงโดยใช้เวลาประมาณ 40 นาทีของการทำงาน (ขึ้นอยู่กับกำลังคาน้ำมันหล่อลื่นโซลิ่ง)

## การปรับอัตราการจ่ายน้ำมันโซลิ่ง (ภาพที่ 13 & 14)

สามารถปรับอัตราการจ่ายน้ำมันโซลิ่งได้ในสามขั้นตอน ตัวอย่างเช่น การตัดกิ่งไม้ที่มีความแข็ง ให้ปรับอัตราการจ่ายน้ำมันตามการใช้งาน ในการปรับอัตราการจ่ายน้ำมันโซลิ่ง ให้ใช้ไขควงปากแบนกดสกรูปรับแต่งและหมุนสกรูปรับแต่งหากต้องการเพิ่มอัตราการจ่ายน้ำมัน ให้หมุนสกรูปรับแต่งทวนเข็มนาฬิกา (A) และหากต้องการลดอัตราการจ่ายน้ำมัน ให้หมุนสกรูปรับแต่งตามเข็มนาฬิกา (B) หลังจากการปรับอัตราการจ่ายน้ำมันโซลิ่ง ให้ตรวจสอบอัตราการจ่ายน้ำมันโดยการเปิดใช้งานอุปกรณ์ที่ระดับความเร็วปานกลาง

## การตรวจสอบและการบำรุงรักษา

### ⚠ คำเตือน:

- ก่อนทำการตรวจสอบหรือบำรุงรักษาอุปกรณ์ ให้ปิดสวิตช์เครื่องยนต์ และนำฝาครอบหัวเทียน หรือตัวแบตเตอรี่หรือออก มิฉะนั้นโซลิ่งหรือชิ้นส่วนอื่นๆ อาจเคลื่อนที่และส่งผลให้ได้รับบาดเจ็บอย่างร้ายแรง
- ก่อนการจัดการหรือทำงานรอบๆ เครื่องเลื่อย ให้สวมถุงมือป้องกัน เพราะเลื่อยอาจบาดมือเปล่าให้ได้รับบาดเจ็บรุนแรง
- เมื่อทำการตรวจสอบหรือบำรุงรักษาอุปกรณ์ ให้วางอุปกรณ์ลงเสมอ การประกอบหรือการปรับเปลี่ยนอุปกรณ์ในแนวตั้งฉากซึ่งอาจทำให้เกิดการบาดเจ็บอย่างรุนแรง
- ปฏิบัติตามคำเตือนและข้อควรระวังในหัวข้อ "ข้อควรระวังด้านความปลอดภัย" ในคู่มือใช้งานของเครื่องมือไฟฟ้า

## การทำความสะอาดช่องจ่ายน้ำมันโซลิ่ง (ภาพที่ 15)

ทำความสะอาดช่องจ่ายน้ำมันโซลิ่ง (A) ทุกวัน เพื่อให้สามารถเข้าถึงช่องจ่ายน้ำมันโซลิ่งให้ถอดมือจับบาร์และไกด์บาร์

## การทำความสะอาดและการตรวจสอบไกด์บาร์ (ภาพที่ 16)

ทำความสะอาดไกด์บาร์ทุกวัน เช็ดฝุ่นผงออกจากร่อง (A) และช่องจ่ายน้ำมันโซลิ่ง (B) เพื่อป้องกันไม่ให้ไกด์บาร์สึกหรือเพียงด้านเดียว ให้พลิกด้านไกด์บาร์ทุกครั้งเมื่อคุณเปลี่ยนหรือลับคมเครื่องเลื่อย หากร่องฉีกขาด โค้งงอ หรือผิดรูป ให้เปลี่ยนไกด์บาร์

## การตรวจสอบเฟืองโซลิ่ง (ภาพที่ 17)

ตรวจสอบการสึกหรอของเฟืองโซลิ่งทุก 50 ชั่วโมงของการทำงาน เปลี่ยนเฟืองโซลิ่งหากเครื่องแสดงการสึกหรอมีความลึกตั้งแต่ 0.3 มม. ขึ้นไป

## การตรวจสอบโซลิ่งเลื่อย

เมื่อคุณรู้สึกว่าโซลิ่งเลื่อยสึกหรอ ผิดรูป แตกร้าว หรือคุณต้องใช้ความพยายามมากขึ้นในการตัด ให้เปลี่ยนโซลิ่งเลื่อยใหม่ ขอให้ศูนย์บริการที่ได้รับอนุญาตของ Makita เพื่อทำการลับคมใบเลื่อย

## การหล่อลื่นชิ้นส่วนที่เคลื่อนที่ได้ (ภาพที่ 18)

**หมายเหตุ:** ปฏิบัติตามคำแนะนำเกี่ยวกับความถี่และปริมาณจาระบีที่ใช้งาน มิฉะนั้นการหล่อลื่นที่ไม่เพียงพออาจทำลายชิ้นส่วนที่เคลื่อนที่ได้

กระปุกเฟืองเกียร์:

ดึงจุกอุดจาระบี (A) ออก และเติมจาระบีที่มีส่วนผสมของลิเทียมผ่านรูจาระบี (B) เมื่อใช้งานไปทุกๆ 25 ชั่วโมง

แกนขับเคลื่อน:

ใช้จาระบี (Shell Alvania No. 2 หรือเทียบเท่า) ทุก 25 ชั่วโมงของการทำงาน

ปลายไกด์บาร์:

ใช้จาระบี (Shell Alvania No. 2 หรือเทียบเท่า) จากรูจาระบี (C) ทุก 10 ชั่วโมงของการทำงาน

## การตรวจสอบโดยรวม

- ขันโบลต์ น็อต และสกรูที่หลวมให้แน่น
- ตรวจสอบชิ้นส่วนที่ชำรุด ขอให้ศูนย์บริการที่ได้รับอนุญาตของ Makita เปลี่ยนให้ใหม่
- ตรวจสอบมือจับบาร์ หากมีรอยร้าวหรือเสียรูปทรง ให้เปลี่ยนใหม่

## การจับเก็บ

⚠ คำเตือน: ปฏิบัติตามคำเตือนและข้อควรระวังในหัวข้อ "ข้อควรระวังด้านความปลอดภัย" ในคู่มือใช้งานของเครื่องมือไฟฟ้า

เมื่อทำการจับเก็บส่วนประกอบที่เกี่ยวข้องแยกจากเครื่องมือไฟฟ้า ให้ใส่ฝาปิดที่ปลายแกนเพลลา (ภาพที่ 19)

## ตารางเวลาการดูแลรักษาเครื่อง

ชั่วโมงการทำงาน		ก่อนการทำงาน	ประจำวัน (10 ชม.)	25 ชม.	50 ชม.	หากต้องการ	หน้าที่เกี่ยวข้อง
ตัวเครื่องทั้งหมด	ตรวจสอบชิ้นส่วนที่ชำรุด ด้วยสายตา	○					59
สกรูและน็อตที่ยึดทั้งหมด	ขันให้แน่น	○					59
ช่องจ่ายน้ำมันโซ้	ทำความสะอาด		○				59
โกดบาร์	ทำความสะอาดร่องและ ช่องจ่ายน้ำมันโซ้		○				59
	ตรวจสอบด้วยสายตา		○				59
	หยอดจาระบีลงตรงปลาย		○				59
กระปุกเฟืองเกียร์	หยอดจาระบี			○		59	
แกนขับเคลื่อน	หยอดจาระบี			○		59	
เฟืองโซ้	ตรวจสอบด้วยสายตา				○		59
โซ้เลื่อย	เปลี่ยนหรือขอให้ลับคม					○	59
เครื่องมือไฟฟ้า	ดูคู่มือใช้งานของเครื่องมือไฟฟ้า						

## การแก้ไขปัญหา

ปัญหา	สาเหตุที่เป็นไปได้	การแก้ปัญหา
มอเตอร์ไม่ทำงาน	คู่มือใช้งานของเครื่องมือไฟฟ้า	
มอเตอร์หยุดทำงานทันทีที่สตาร์ท		
ความเร็วสูงสุดถูกจำกัด		
โซ้เลื่อยไม่เคลื่อนที่ ➔ หยุดการทำงานมอเตอร์ทันที!	โกดบาร์โค้งงอหรือชำรุดเสียหาย	เปลี่ยนโกดบาร์
	กิ่งไม้เข้าไปติดในโซ้เลื่อย	นำวัตถุแปลกปลอมออก
	ระบบขับเคลื่อนทำงานผิดปกติ	ขอให้ศูนย์บริการที่ได้รับอนุญาตของ Makita ทำการตรวจสอบและซ่อมแซม
ตัวเครื่องหลักสันตะเทียนผิดปกติ ➔ หยุดการทำงานมอเตอร์ทันที!	ระบบขับเคลื่อนทำงานผิดปกติ	ขอให้ศูนย์บริการที่ได้รับอนุญาตของ Makita ทำการตรวจสอบและซ่อมแซม
โซ้เลื่อยไม่หยุดทำงาน ➔ หยุดการทำงานมอเตอร์ทันที!	เครื่องมือไฟฟ้าทำงานผิดปกติ	คู่มือใช้งานของเครื่องมือไฟฟ้า
ไม่มีกรจ่ายน้ำมันโซ้	ถังน้ำมันว่างเปล่า	เติมน้ำมันโซ้ลงในถังน้ำมันโซ้
	ช่องจ่ายน้ำมันโซ้สกปรก	ทำความสะอาดช่องจ่ายน้ำมันโซ้บนตัวเครื่องและโกดบาร์
	ตั้งค่าสกรูปรับแต่งของอัตราการจ่ายน้ำมันโซ้ไม่ถูกต้อง	ตั้งค่าสกรูปรับแต่งให้ถูกต้อง

## ข้อมูลทางเทคนิค

รุ่น		EY401MP
ขนาด (ย x ก x ส)	มม	1,166 x 74 x 105
น้ำหนัก	กก	1.0
ความยาวโคตบาร์	มม	255 (10")
โซ่เลื่อย		91VXL-39E
ขนาดโซ่	นิ้ว	0.050"
จำนวนฟันของเฟืองโซ่		7
น้ำมันโซ่		น้ำมันโซ่ของแท้ของ Makita
ปั้มน้ำมันโซ่		ปั้มน้ำมันโซ่แรงดันสูง (ประเภทมีระบบการหล่อลิ้นในตัว)
ความจุถังน้ำมันโซ่	มล	120
อัตราทดเกียร์ (การเพิ่มความเร็ว)		0.94





# Makita Corporation

3-11-8, Sumiyoshi-cho,  
Anjo, Aichi 446-8502 Japan

[www.makita.com](http://www.makita.com)

885133E935

ALA