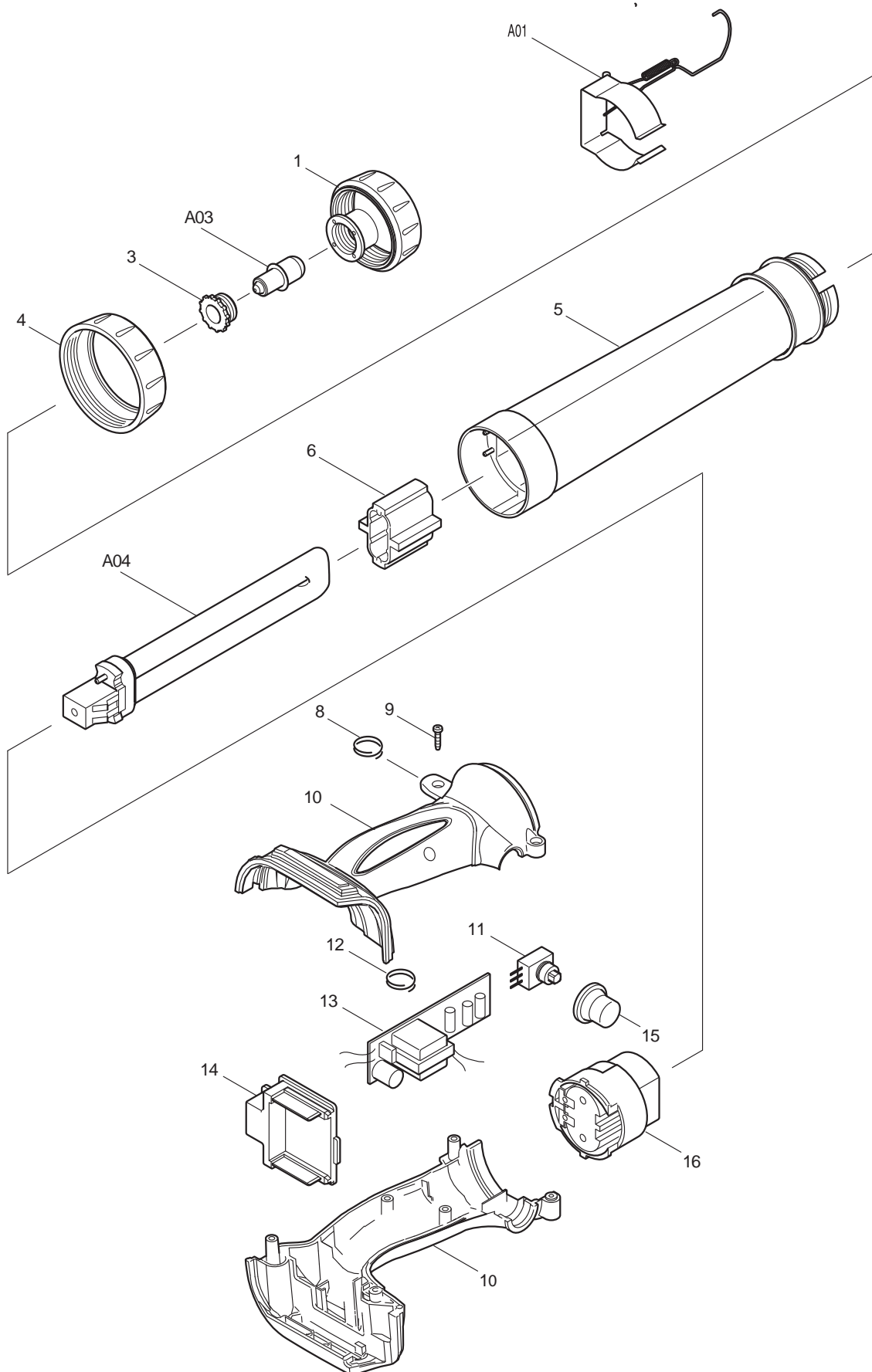




04 - 2015

DML184

14.4 / 18V FLOURESCENT LIGHT



Item No	Type	Sub	Part No	Description	Qty	Unit
001			GM00001021	REFLECTOR	1	PC.
003			GM00001020	BULB HOLDER	1	PC.
004			GM00001019	LOCK RING	1	PC.
005			GM00001017	LAMP COVER	1	PC.
006			GM00001023	ABSORBER	1	PC.
008			SM00000190	RING	1	PC.
009			GM00001024	SCREW 3X12	6	PC.
010			GM00001047	HOUSING SET	1	SET
011			GM00001025	SWITCH	1	PC.
012			SM00000190	RING	1	PC.
013		1	GM00001049	PRINTED CIRCUIT BOARD	1	PC.
		2	GM00001491	PRINTED CIRCUIT BOARD	1	PC.
014			GM00001117	BATTERY HOLDER	1	PC.
015			GM00001022	SWITCH COVER	1	PC.
016			GM00001018	HOLDER	1	PC.
E01			810321-0	CAUTION LABEL	1	PC.

ACCESSORIES

- See Catalogue or visit www.makita.ca for more accessories -

A01			GM00001027	METAL HOOK	1	PC.
A02			GM00001028	SHOULDER HOOK SET	1	PC.
A03			A-94502	LIGHT BULB SET	1	PC.
A04			SM00000050	FLUORESCENT TUBE	1	PC.
A05			---	14.4V - 18V LI-ION BATTERY		
A06			---	BATTERY CHARGER		
A07			---	LI-ION BATTERY ACCESSORIES		