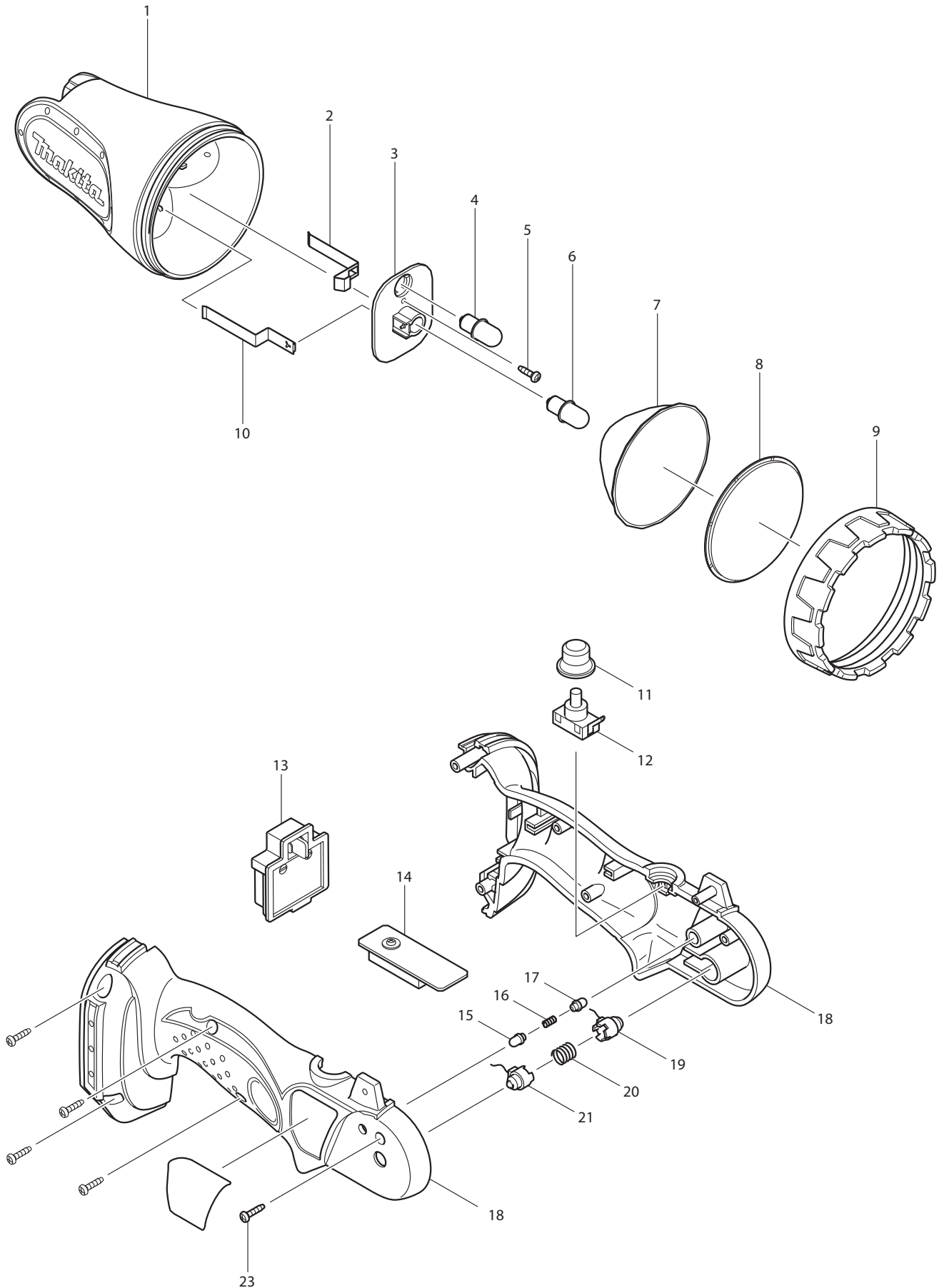




10 - 2010
BML145
14.4V FLASHLIGHT



Item No.	Type	Sub Part No.	Description	Q'ty	Unit
1		GM00001003	CASE HEAD	1	PC.
2		GM00001010	BULB CONTACT PLATE (-)	1	PC.
3		GM00001002	PROTECTOR FOR CONTACT	1	PC.
4		A-90233	BULB SET, 2pcs/Set MA/MC/MMX	1	SET
5		GM00001012	SCREW 3X12 PB BLACK ZN	1	PC.
6		A-90233	BULB SET, 2pcs/Set MA/MC/MMX	1	SET
7		GM00000130	REFLECTOR	1	PC.
8		GM00000070	LENS	1	PC.
9		GM00001001	REFLECTOR RETAINER	1	PC.
10		GM00001009	BULB CONTACT PLATE (+)	1	PC.
11		GM00001006	RUBBER COVER	1	PC.
12		651709-3	SWITCH DPC-1111-02	1	PC.
13	1	GM00001007	BATTERY HOLDER - N/L/A	1	PC.
	2	643828-9	TERMINAL	1	PC.
14		GM00001011	PRINTED CIRCUIT BOARD	1	PC.
15		GM00001005	KNOCK SHAFT	1	PC.
16		GM00000090	COMPRESSION SPRING 4	1	PC.
17		GM00001005	KNOCK SHAFT	1	PC.
18	1	GM00001014	HOUSING SET - N/L/A	1	SET
	2	GM00001118	HOUSING SET	1	SET
19		632524-4	PIVOT TERMINAL UNIT R	1	PC.
20		233144-3	COMPRESSION SPRING 7	1	PC.
21		632523-6	PIVOT TERMINAL UNIT L	1	PC.
23		GM00001013	SCREW 3X14 PB BLACK ZN	6	PC.
25	2	GM00001119	LEAD ASSY (Added)	1	PC.

***Item No. 13, 18 and 25 are interchangeable as a set.**