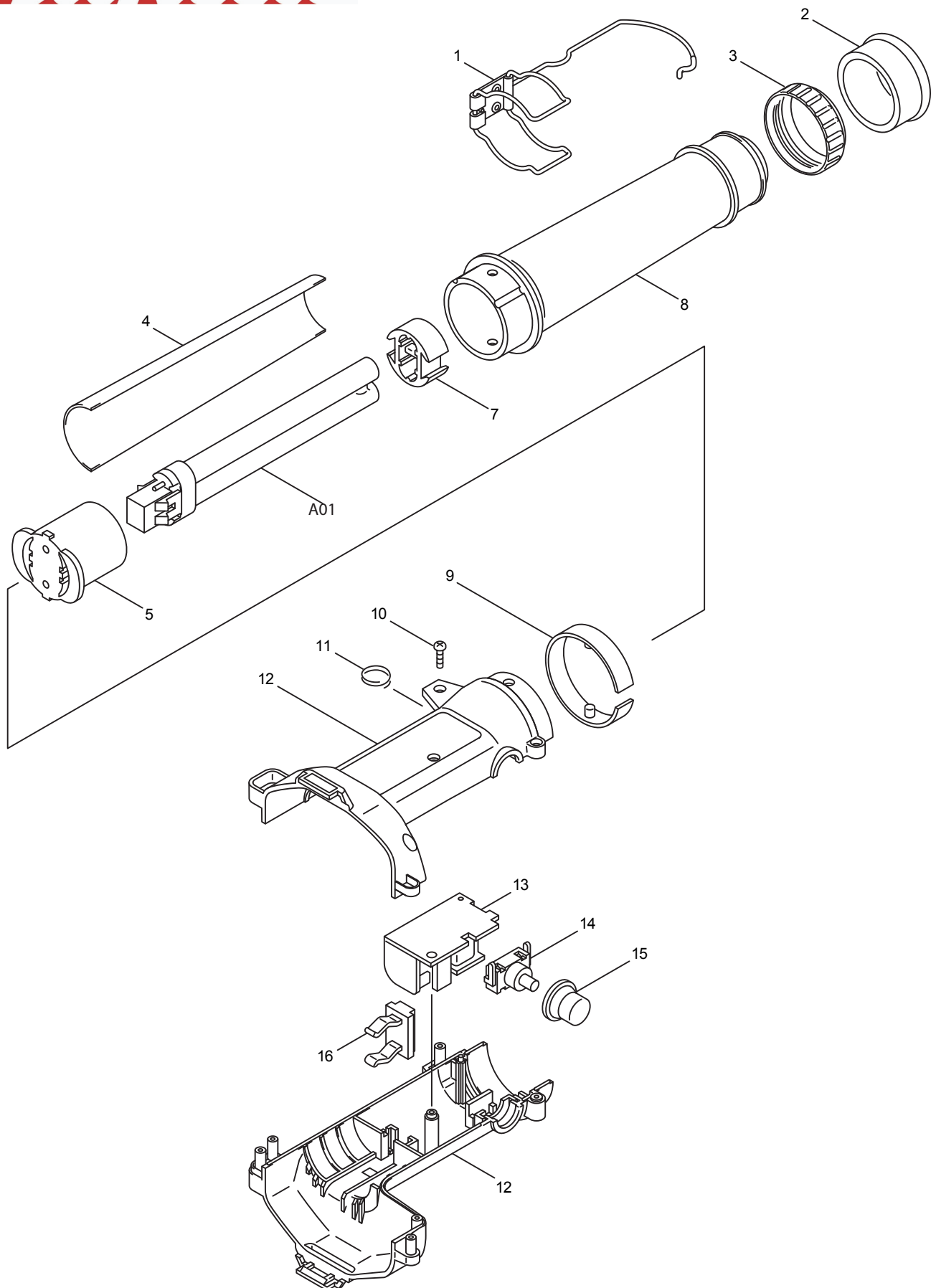




12 - 2010

ML143

14.4V FLOURESCENT FLASHLIGHT



| Item No | Type | Ref | Part No | Description | Qty | Unit |
|---------|------|-----|------------|----------------------------|-----|------|
| 1 | | | SM00000300 | HOOK | 1 | PC. |
| 2 | | | SM00000080 | LAMP COVER PROTECTOR | 1 | PC. |
| 3 | | | SM00000316 | SCREW RING | 1 | PC. |
| 4 | | | SM00000301 | REFLECTOR | 1 | PC. |
| 5 | | | SM00000040 | HOLDER | 1 | PC. |
| 7 | | | SM00000060 | ABSORBER | 1 | PC. |
| 8 | | | SM00000070 | LAMP COVER | 1 | PC. |
| 9 | | | SM00000315 | C RING | 1 | PC. |
| 10 | | | 265868-3 | + TAPPING SCREW 3X12 | 5 | PC. |
| 11 | | | SM00000190 | RING | 1 | PC. |
| 12 | | | SM00000313 | HOUSING L/R SET | 1 | PC. |
| 13 | | | SM00000314 | PRINTED CIRCUIT BOARD | 1 | PC. |
| 14 | 1 | | SM00000030 | SWITCH | 1 | PC. |
| | 2 | | SM00000322 | SWITCH | 1 | PC. |
| 15 | | | SM00000020 | SWITCH COVER | 1 | PC. |
| 16 | | | SM00000140 | BATTERY HOLDER | 1 | PC. |
| 20 | | | 655000-B | PLUG FOR CIGARETTE LIGHTER | 1 | PC. |

ACCESSORIES

| | | | | | | |
|-----|--|--|----------|---------------------------|---|-----|
| A01 | | | A-90978 | FLUORESCENT TUBE | 1 | PC. |
| A02 | | | 192600-1 | 14.4V NI-CAD BATTERY 1422 | 1 | PC. |
| | | | 193062-6 | 14.4V NI-CAD BATTERY 1420 | 1 | PC. |
| | | | 193158-3 | 14.4V NI-MH BATTERY 1434 | 1 | PC. |
| | | | 193139-7 | 14.4V NI-MH BATTERY 1435 | 1 | PC. |
| A03 | | | 414938-7 | BATTERY COVER | 1 | PC. |
| A04 | | | DC1804 | CHARGER DC1804 | 1 | PC. |