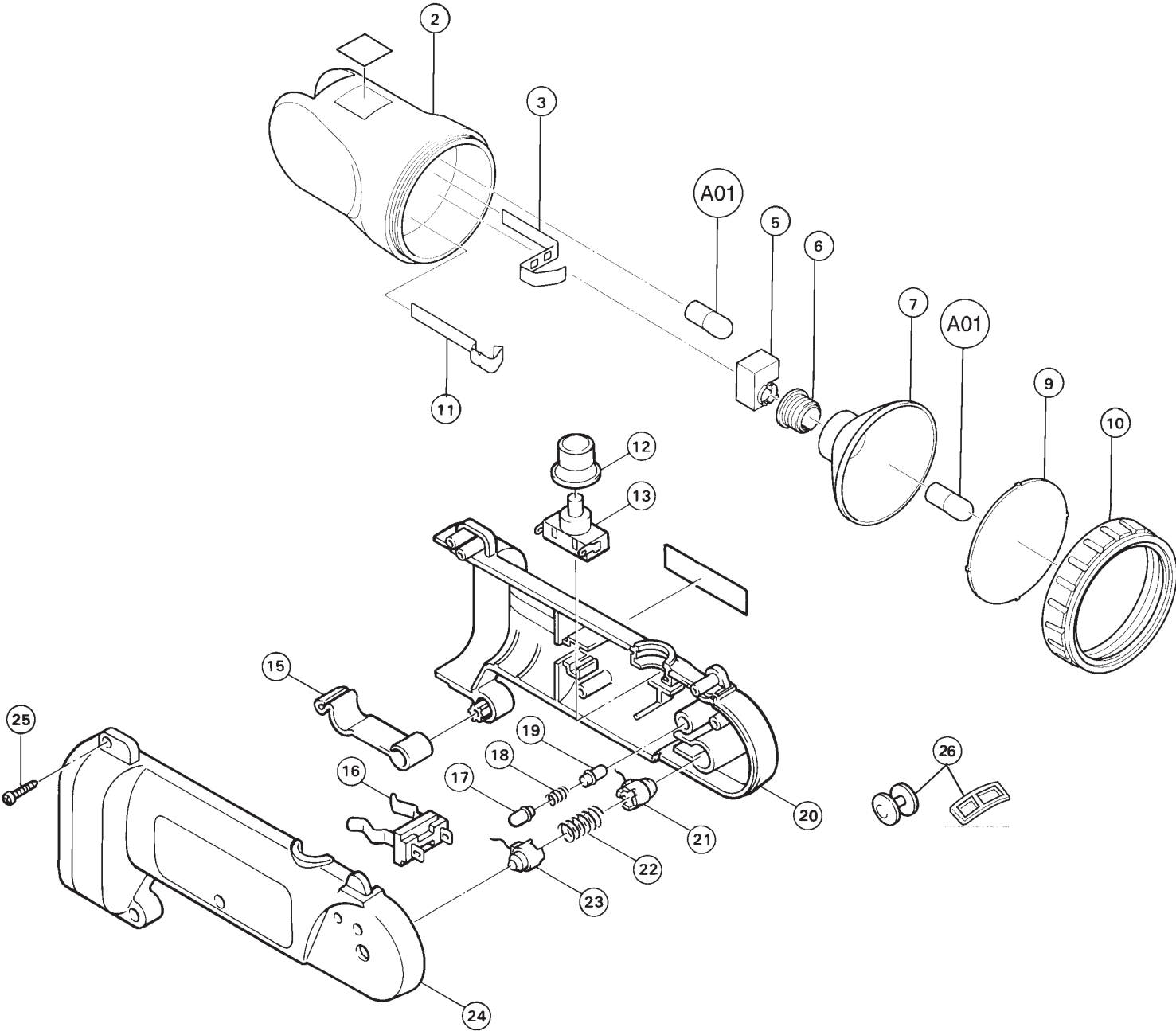




10 - 2010
ML901
9.6V FLASHLIGHT



Item No	Type	Sub	Part No.	Description	Qty	Unit
2			415760-5	CASE HEAD	1	PC.
3			654136-3	BULB CONTACT PLATE A	1	PC.
5			415810-6	PROTECTOR	1	PC.
6			415855-4	BULB HOLDER	1	PC.
7			163368-6	REFLECTOR	1	PC.
9			415866-9	LENS	1	PC.
10			415807-5	REFLECTOR RETAINER	1	PC.
11			654137-1	BULB CONTACT PLATE B	1	PC.
12			421540-9	COVER	1	PC.
13			651709-3	SWITCH	1	PC.
15			344121-1	SET PLATE	1	PC.
16			643926-9	BATTERY HOLDER	1	PC.
17			415811-4	KNOCK SHAFT	1	PC.
18			233143-5	SPRING	1	PC.
19			415811-4	KNOCK SHAFT	1	PC.
20			415761-3	HOUSING (L)	1	PC.
21			632523-6	PIVOT TERMINAL UNIT L	1	PC.
22			233144-3	SPRING	1	PC.
23			632524-4	PIVOT TERMINAL UNIT R	1	PC.
24			415762-1	HOUSING (R)	1	PC.
25			265869-1	SCREW	4	PC.
26	1		415812-2	HOOK BUTTON (Use with Item No.A02 Type1) - N/L/A	2	PC.
	2		345261-8	HOOK PLATE (Use with Item No.A02 Type2)	2	PC.
27			655000-B	CIGARETTE LIGHTER PLUG	1	PC.
<u>ACCESSORIES</u>						
A01			192545-3	BULB (For 9.6V) 2PC/SET	1	SET
A02	1		415813-0	STRAP (Use with Item No.26 Type1)	1	PC.
	2		417926-3	STRAP (Use with Item No.26 Type2)	1	PC.
A03			192019-4	9.6V NI-CAD BATTERY 9100	1	PC.
			192321-5	9.6V NI-CAD BATTERY 9101 - N/L/A	1	PC.
			192596-6	9.6V NI-CAD BATTERY 9122	1	PC.
			192404-1	9.6V NI-CAD BATTERY 9101A	1	PC.
A04			414938-7	BATTERY COVER	1	PC.
			DC1414	CHARGER DC1414	1	PC.
			DC1804	CHARGER DC1804	1	PC.
			DC1822	AUTOMOTIVE CHARGER DC1822	1	PC.