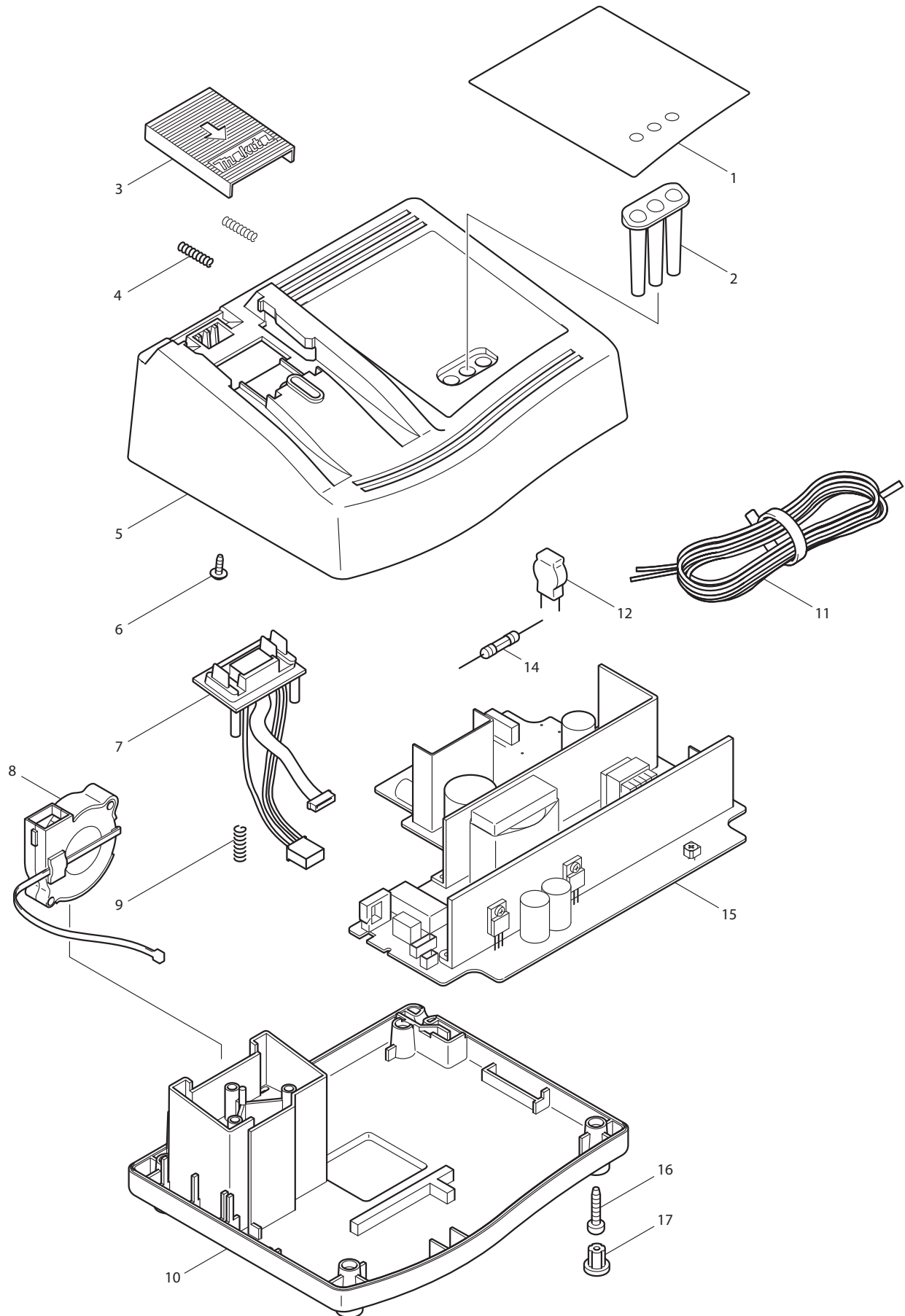




09 - 2008
DC24SC CHARGER
(FOR 7.2-24V, 1.3-3.3AH BATTERY)



Item No.	Part No.	Description	Q'ty	Unit
1	803399-0	CHARGING CONDITION LABEL	1	PC.
2	418278-5	ACRYRIC PIN	1	PC.
3	418181-0	TERMINAL COVER	1	PC.
4	231474-6	COMPRESSION SPRING 4	2	PC.
5	188060-3	CHARGER CASE SET	1	SET
	INC. *****	Item No. 1, 2	1	PC.
6	266278-7	TAPPING SCREW FLANGE BT3X10	1	PC.
7	638418-1	TERMINAL UNIT	1	PC.
8	638499-5	SCIROCCO FAN	1	PC.
9	233194-8	COMPRESSION SPRING 4	1	PC.
10	418891-9	CHARGER CASE COVER	1	PC.
11	667982-5	VINYL CORD #18-2-2.0	1	PC.
12	647321-5	VARISTOR	1	PC.
14	652782-6	FUSE	1	PC.
15	631837-0	CHARGING CIRCUIT	1	PC.
	INC. *****	Item No. 12,14	1	PC.
16	266346-6	TAPPING SCREW BT 4X20	4	PC.
17	286255-3	CAP 13	4	PC.

*INC.=INCLUDES