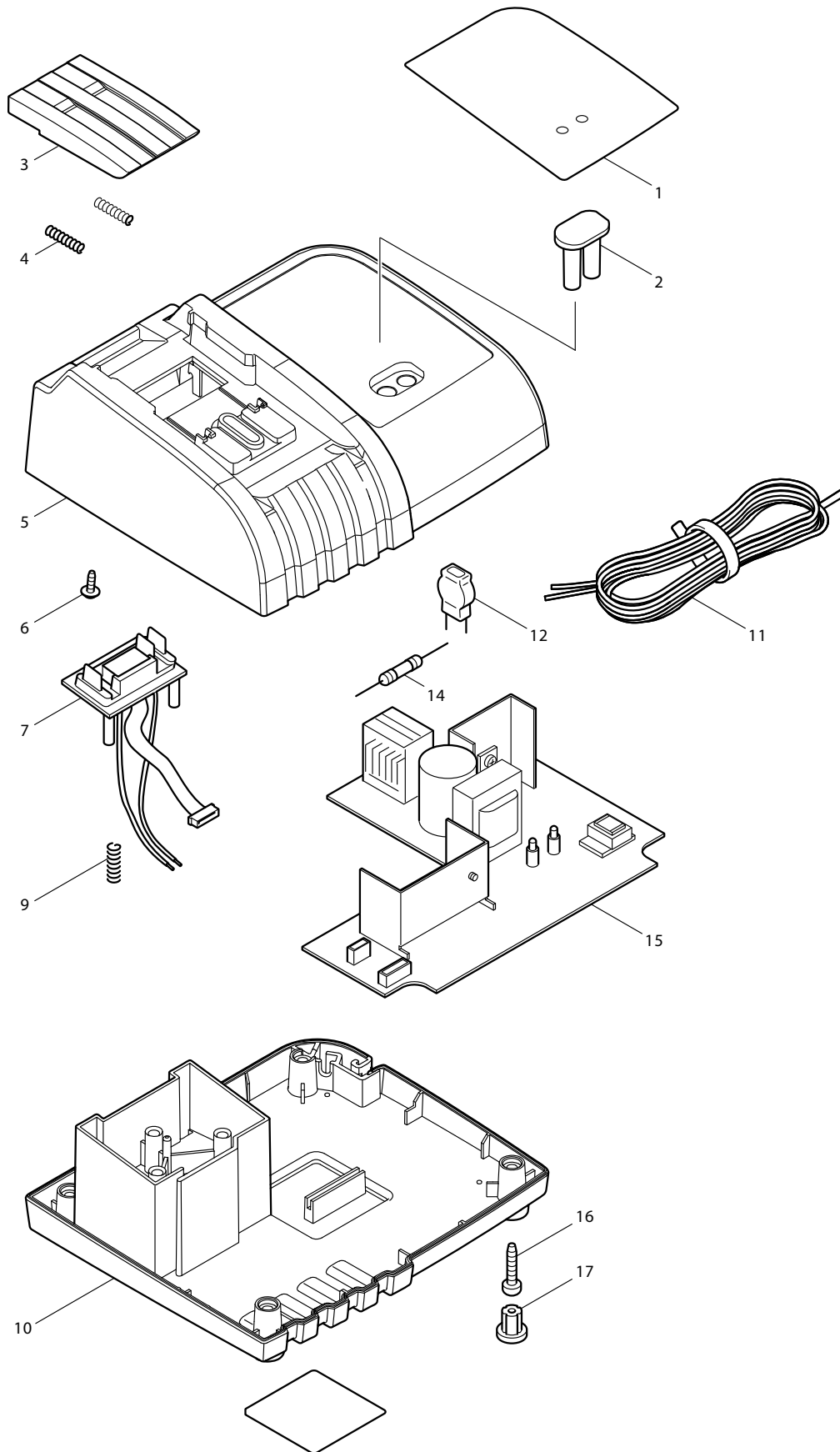




05 - 2008

DC18SD

DC18SD CHARGER (NO FAN)

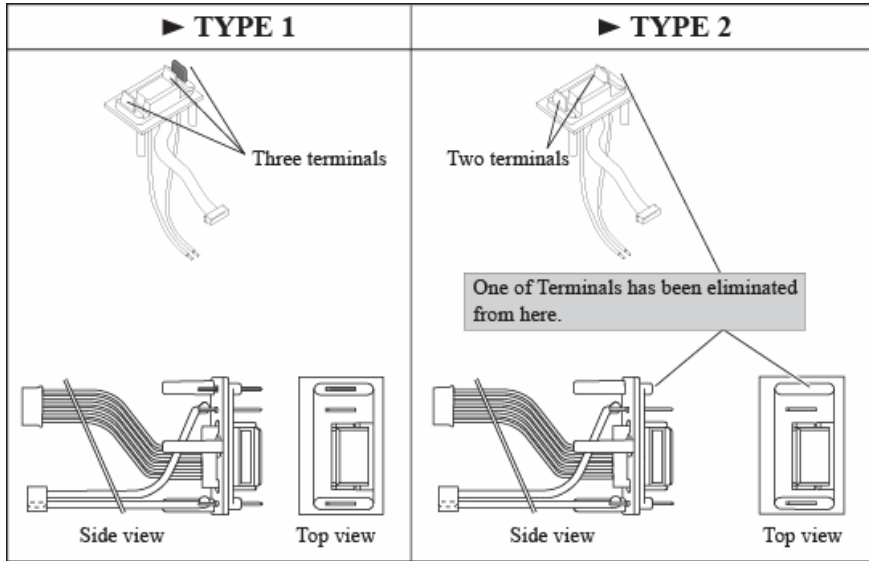


Item No.	Part No.	Description	Q'ty	Unit
1	806355-9	CHARGING CONDITION LABEL	1	PC.
2	418175-5	ACRYLIC PIN	1	PC.
3	1 419569-7	* TERMINAL COVER	1	PC.
	2 455546-5	* TERMINAL COVER	1	PC.
4	231474-6	COMPRESSION SPRING 4	2	PC.
5	158598-2	CHARGER CASE COMPLETE INCLUDES ITEM NO. 2	1	PC.
6	266278-7	TAPPING SCREW FLANGE BT3X10	1	PC.
7	638602-8	* TERMINAL UNIT	1	PC.
9	233194-8	COMPRESSION SPRING 4	1	PC.
10	450346-8	CHARGER CASE COVER	1	PC.
11	667982-5	VINYL CORD #18-2-2.0	1	PC.
12	647321-5	VARISTOR	1	PC.
14	652779-5	FUSE	1	PC.
15	631805-3	CHARGING CIRCUIT INCLUDES ITEM NO. 12 & 14	1	PC.
16	266346-6	TAPPING SCREW BT 4X20	4	PC.
17	286255-3	CAP 13	4	PC.

SERVICE CHANGE

1. CHANGE ON TERMINAL (TI#97786)

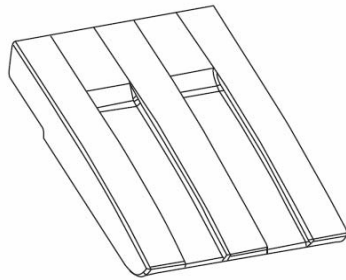
Item No.	DESCRIPTION	TYPE1	TYPE2
7	TERMINAL	638602-8	638602-8



2. CHANGE ON TERMINAL COVER (TI#A8353)

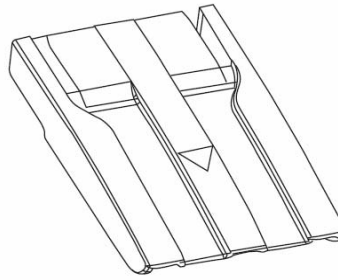
Item No.	DESCRIPTION	TYPE1	TYPE2
7	TERMINAL COVER	419569-7	455546-5

Type 1



Color: Clear

Type 2



Color: Makita-blue

