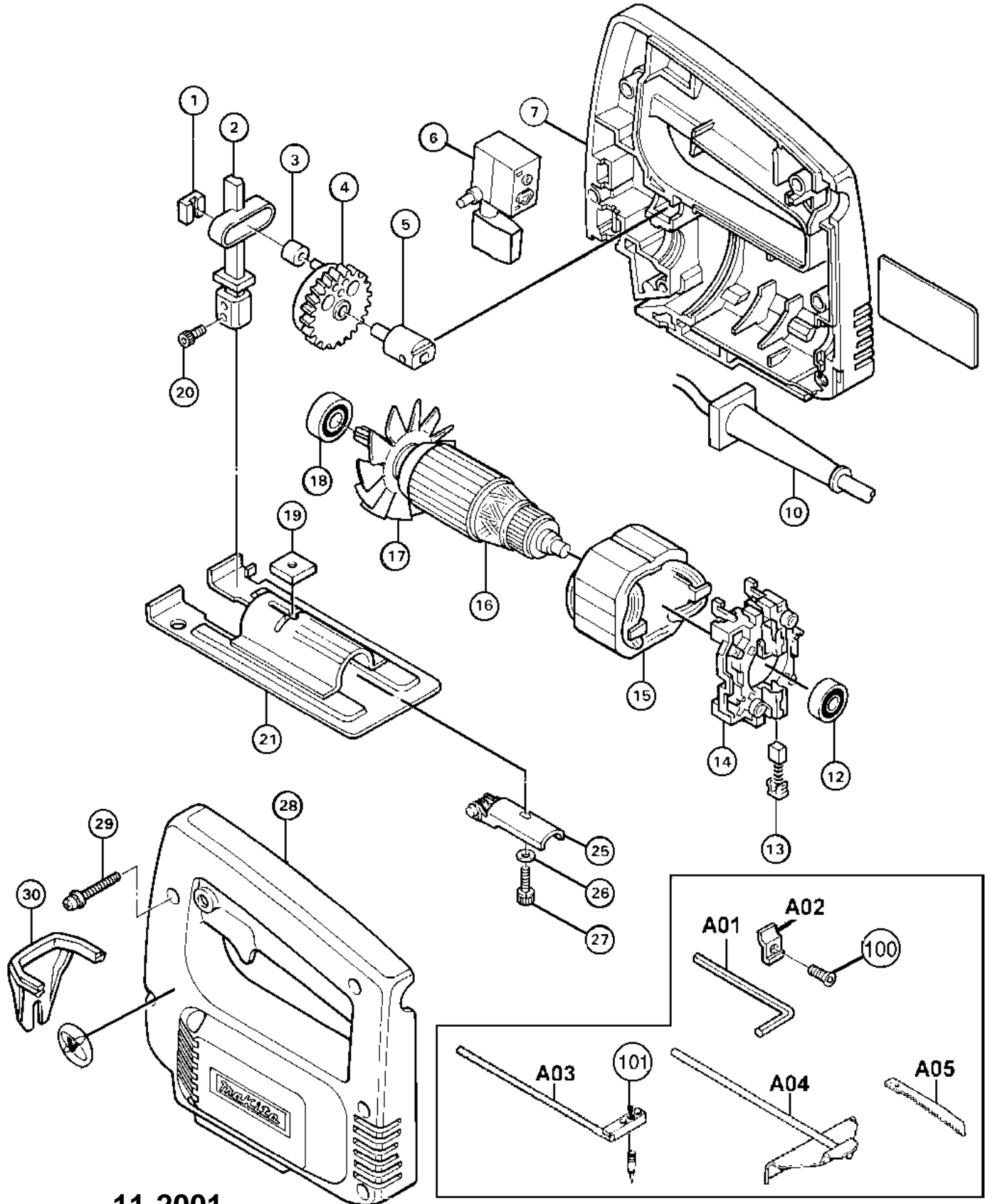
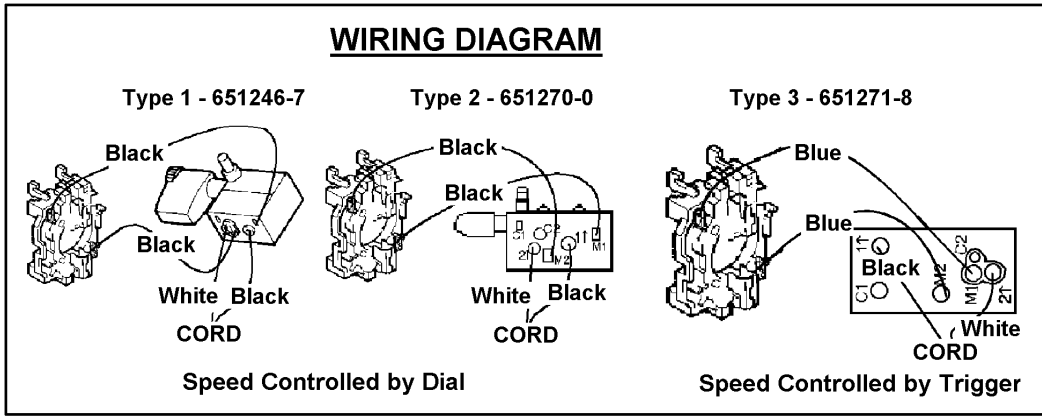


## 11/16" JIG SAW

Model 4320\*\*(MJ)  
(Discontinued in 1998)



## WIRING DIAGRAM

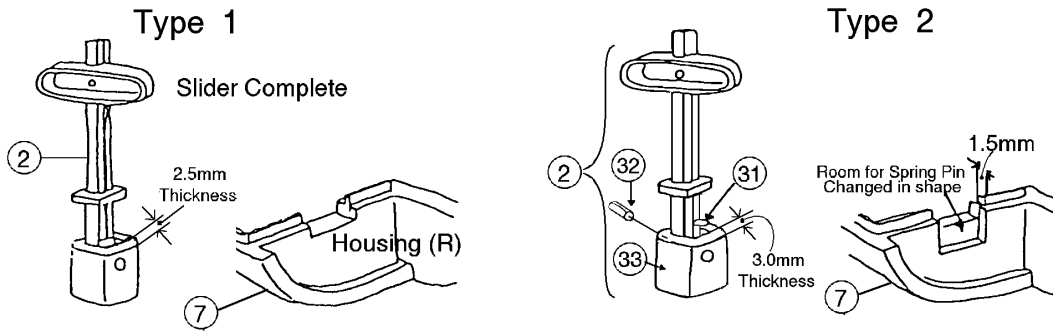


Item No.	Part No.	No. Used	Description	Item No.	Part No.	No. Used	Description
1	214025-0	3	Plane Bearing 4	25	*	1	Back Roller Assy (Includes Items 22, 23 & 24) / Retainer Com.
2	*	1	Slider Com. (Includes Item 31-33)	26	941052-1	1	Flat Washer 4
3	257625-3	1	Sleeve 4	27	922121-7	1	Hex. Socket Head Bolt M4x14
4	153183-6	1	Gear Com.	28	<b>182375-0</b>	1	Housing Set
5	152327-5	1	Pin 6 Com.	29	911148-2	7	P.H. Screw M4x25 (With Washer)
6	<b>651271-8</b>	1	Switch With Lock V.S.(Old 651270-0)	30	414226-2	1	Protector
7	*	1	Housing (R)	31	258016-1	1	Spring Pin 1.5-6
	<b>182375-0</b>	1	Housing Set	32	951051-5	1	Spring Pin 3-8
10	664424-0	1	Cord with Plug 2P-18-2.0	33	313057-5	1	Blade Clamp
12	211021-9	1	Ball Bearing 607LLB	100	251951-2	1	Hex. Socket Head Bolt M5x10
13	191914-5	2	Carbon Brush CB-70	101	271601-3	1	Knob 20
14	632081-2	1	Terminal Base Com.	102	323223-6	1	Circular Guide Pin
15	633046-7	1	Field				
16	511726-4	1	Armature Assy (Includes Items 12, 17 & 18)				
17	241116-4	1	Fan 60				
18	211031-6	1	Ball Bearing 608LLB				
19	343540-8	1	Holder				
20	922107-1	1	Hex. Socket Head Bolt M4x8				
21	164888-3	1	Base				
22	*	1	Pin 3 (Old)				
23	*	1	Roller				
24	*	1	Stop Ring E-2.3 (Old)				
				<b>Accessories</b>			
				A01	783201-2	1	Hex. Wrench 3
				A02	343381-2	1	Rule Holder Assy
				A03	123030-5	1	Circular Guide Assy (Includes Items 101 & 102)
				A04	164113-2	1	Guide Rule
				A05	-----	1	Jig Saw Blade (See Catalogue for Details)

\* **SEE SERVICE CHANGES**

**SERVICE CHANGES**

**1. Change on Slider Com. and Housing (R).**

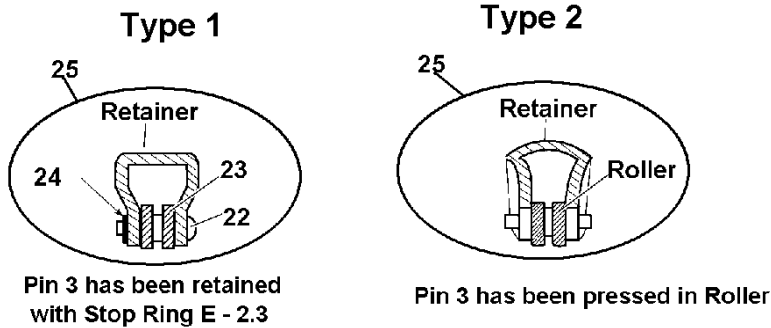


Item No.	Description	Type 1	Type 2
2	Slider Com.	154362-9 (No Longer Available)	154398-8 (Includes Items 31, 32 & 33)
7	Housing (R)	414227-0 (No Longer Available)	<b>182375-0</b> (Set) (Old 414896-7)
	Serial No.	~ 52555	52556 ~

Above parts are completely interchangeable as a set.

When replacing Type 1 Slider Complete with Type 2 Slider Complete, pull out the spring pin (Item 31), so that the slider will fit into Type 1 Housing.

**2. Change of Back Roller Assembly.**



Pin 3 has been retained with Stop Ring E - 2.3

Pin 3 has been pressed in Roller

Item No.	Description	Type 1	Type 2
22	Pin 3	256644-6	These parts are now included in Retainer Com. P/N 152927-1
23	Roller	322376-8	
24	Stop Ring E-2.3	257903-1	
25	Back Roller Assy / Retainer Com.	134564-3	<b>152927-1</b>