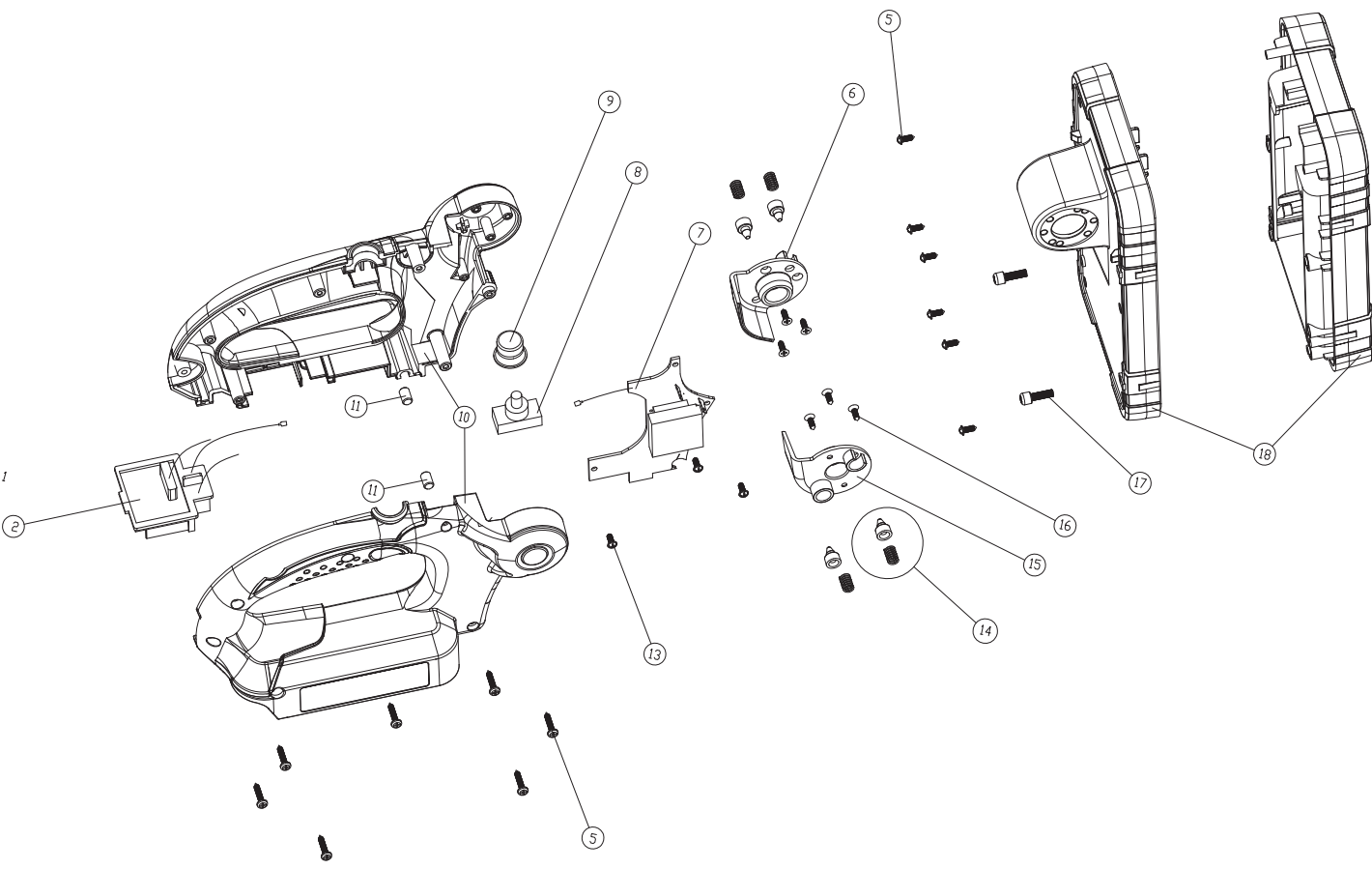
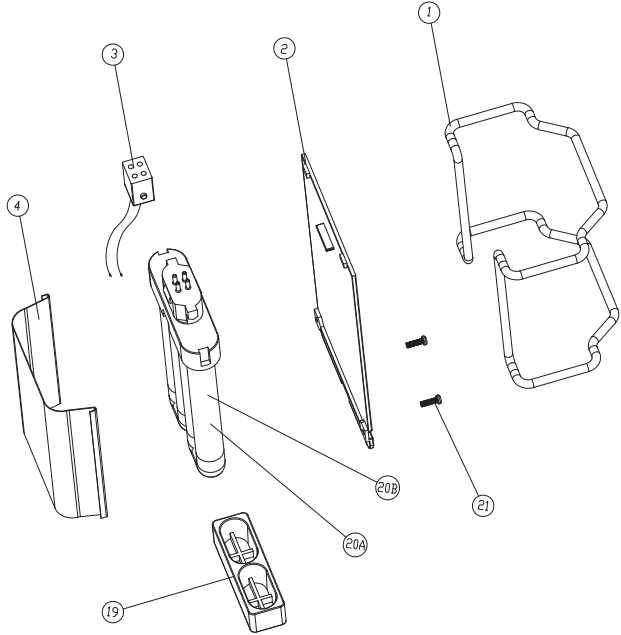




08 - 2010
BML360
36V FLASH LIGHT



Item No.	Type	Sub	Part No.	Description	Q'ty	Unit
1			GM00001163	WIRE GUARD	1	PC.
2			GM00001164	LIGHT LENS COVER	1	PC.
3			GM00001165	TUBE HOLDER SET	1	PC.
4			GM00001166	REFLECTOR	1	PC.
5			GM00001167	SCREW 3X15 PA	13	PC.
6			GM00001168	LEFT LID	1	PC.
7			GM00001169	CIRCUIT SET	1	PC.
8			GM00001170	SWITCH	1	PC.
9			GM00001171	SWITCH COVER	1	PC.
10			GM00001172	HOUSING RIGHT & LEFT SET	1	PC.
		INC.		Item No. 11		
11			GM00001173	RUBBER PIN 6	2	PC.
12			GM00001174	BATTERY TERMINAL SET	1	PC.
13			GM00001175	SCREW 3X8 PA	3	PC.
14			GM00001176	SPRING/LID SET	4	PC.
15			GM00001177	RIGHT LID	1	PC.
16			GM00001178	SCREW 3X8 KA	6	PC.
17			GM00001179	SCREW M4X13 PM	2	PC.
18			GM00001180	FRONT & BACK BODY SET	1	PC.
19			GM00001181	SILICON STOPPER	1	PC.
21			GM00001182	SCREW 3X8 PM	2	PC.
<u>ACCESSORIES</u>						
A01			A-95015	FLUORESCENT TUBE (USA SPEC.)	1	PC.
A02			DC36RA	FAST CHARGER DC36RA	1	PC
A03			194874-0	36V LI-ION BATTERY BL3626	1	PC
A04			194960-7	BAP36 BATTERY ADAPTOR	1	PC