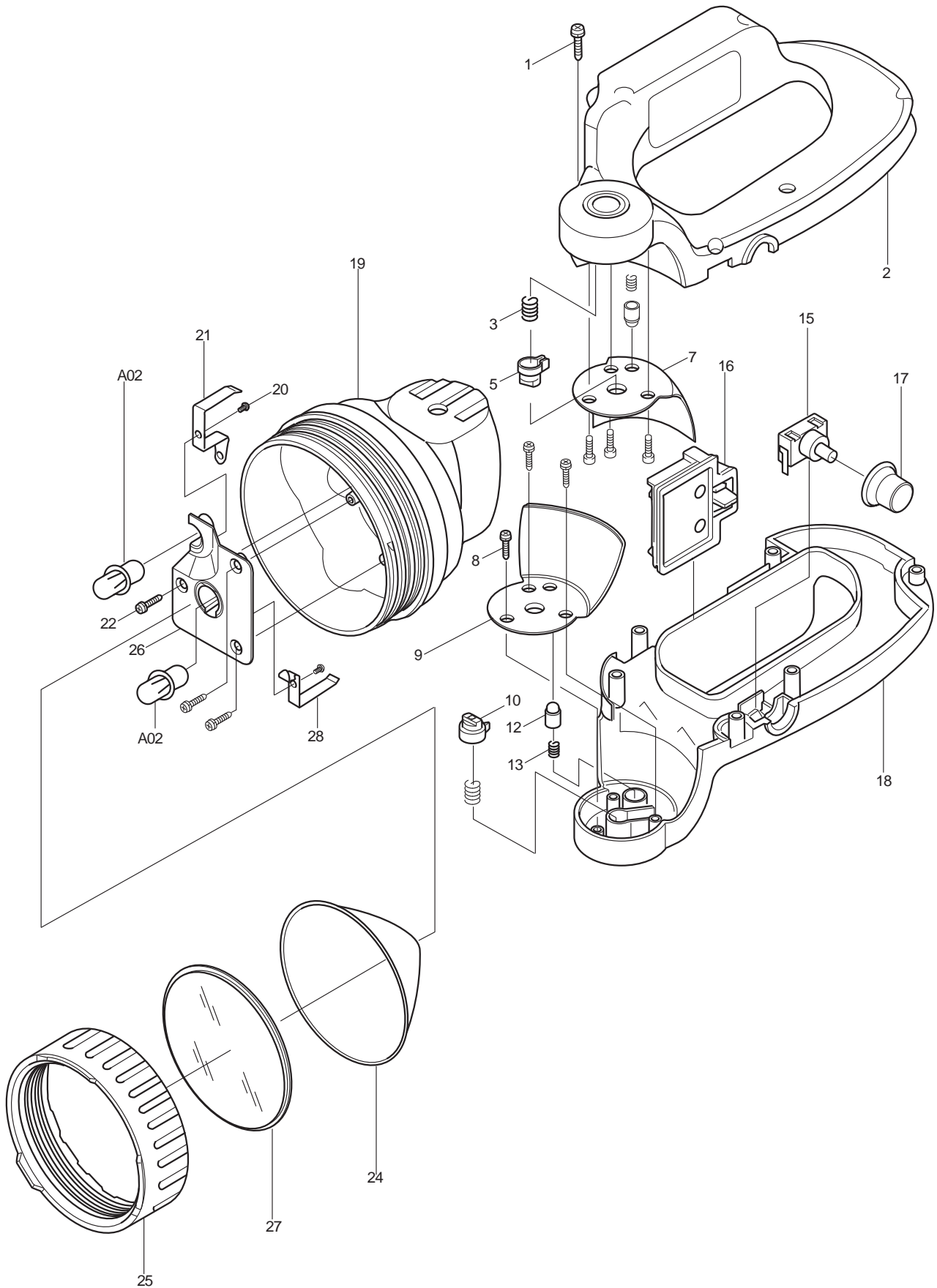




10 - 2011  
BML240  
24V FLASHLIGHT



Item No.	Type	Ref	Part No.	Description	Qty	Unit
1			GM00000400	Screw 3.5X16	6	PC.
2			GM00000410	Housing Set (Includes Item 18)	1	PC.
3			GM00000420	Compression Spring 8.8	2	PC.
5			GM00000430	Pivot Terminal (Left)	1	PC.
7			GM00000450	Body Cover (Right)	1	PC.
8			GM00000460	Screw 3X10	6	PC.
9			GM00000470	Body Cover (Left)	1	PC.
10			GM00000480	Pivot Terminal (Right)	1	PC.
12			GM00000500	Knock Shaft	2	PC.
13			GM00000510	Compression Spring 5.4	2	PC.
15			GM00000520	Switch	1	PC.
16			GM00000530	Battery Holder	1	PC.
17			GM00000540	Rubber Cover	1	PC.
19			GM00000560	Case Head	1	PC.
20			GM00000570	Screw 2.6X5	2	PC.
21			GM00000580	Bulb Contact (+)	1	PC.
22			GM00000460	Screw 3X10	3	PC.
24			GM00000610	Reflector	1	PC.
25			GM00000620	Reflector Retainer	1	PC.
26			GM00000630	Bulb Holder	1	PC.
27			GM00000640	Lens	1	PC.
28			GM00000650	Bulb Contact Plate (-)	1	PC.
<b><u>ACCESSORIES</u></b>						
A01			GM00000660	Strap	1	PC.
A02			A-90984	Bulb Set (2pcs/Set)	1	SET
A03			193128-2	24V Ni-MH Battery B2417 - N/L/A	1	PC.
			193131-3	24V Ni-MH Battery B2430 - N/L/A	1	PC.
			193737-7	24V Ni-MH Battery B2420	1	PC.
			193740-8	24V Ni-MH Battery B2433	1	PC.
A04			DC24SA	Charger DC24SA - N/L/A	1	PC.
			DC24SC	Charger DC24SC	1	PC.