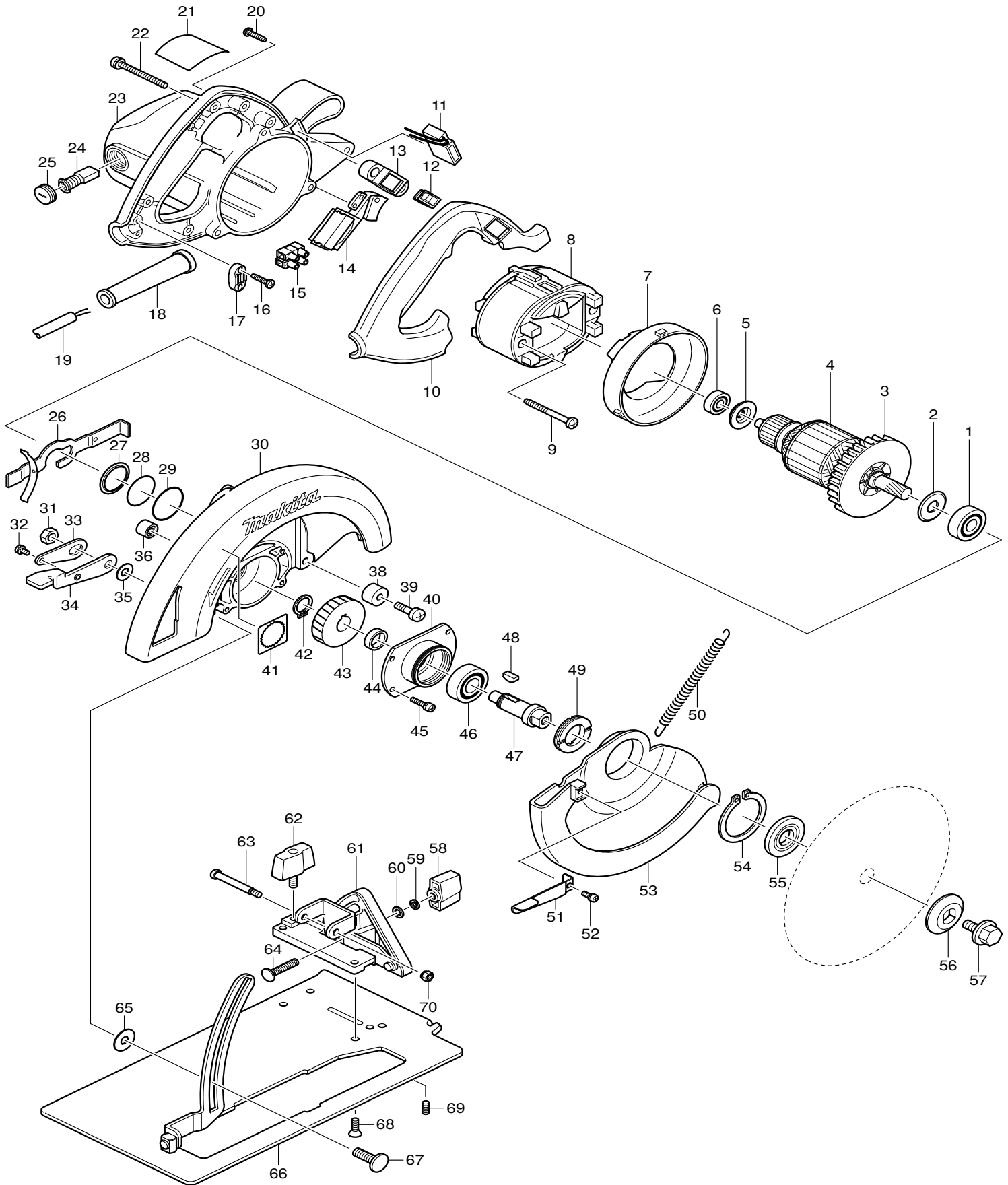




10-2006
5008FA
8-1/4" CIRCULAR SAW W/BRAKE



| <u>ITEM#</u> | <u>PART #</u> | <u>DESCRIPTION</u> | <u>Q' TY</u> | <u>UNIT</u> | |
|--------------|---------------|--|-------------------------|-------------|-----|
| 1 | 211106-1 | BALL BEARING 6201LLB | 1 | PC. | |
| 2 | 213102-5 | DUST SEAL 12 | 1 | PC. | |
| 3 | 240003-4 | FAN 80 | 1 | PC. | |
| 4 | 510057-8 | ARMATURE ASS' Y (INC 1, 2, 3, 5, 5) | 1 | PC. | |
| 5 | 681625-5 | INSULATION WASHER | 1 | PC. | |
| 6 | 211033-2 | BALL BEARING 608LB | 1 | PC. | |
| 7 | 417711-4 | BUFFLE PLATE | 1 | PC. | |
| 8 | 596231-2 | FIELD ASS' Y | 1 | PC. | |
| | C10 | 654020-2 | RING TERMINAL | 1 | PC. |
| | C20 | 654502-4 | CONNECTOR P-2 | 1 | PC. |
| 9 | 266046-8 | TAPPING SCREW 5X50 | 2 | PC. | |
| 10 | 417712-2 | HANDLE COVER | 1 | PC. | |
| 11 | 631453-8 | LIGHT CIRCUIT | 1 | PC. | |
| 12 | 651514-8 | SWTCH | 1 | PC. | |
| 13 | 417468-7 | FRAME | 1 | PC. | |
| 14 | 651042-3 | SWTCH | 1 | PC. | |
| 15 | 654531-7 | TERMINAL BLOCK 2P | 1 | PC. | |
| 16 | 265995-6 | TAPPING SCREW 4X18 | 2 | PC. | |
| 17 | 687052-4 | STRAIN RELIEF | 1 | PC. | |
| 18 | 682505-8 | CORD GUARD 10-90 | 1 | PC. | |
| 19 | 664463-0 | CORD WTH PLUG 2P-14, 2. 5M | 1 | PC. | |
| 20 | 265995-6 | TAPPING SCREW 4X18 | 4 | PC. | |
| 22 | 911273-9 | PAN HEAD SCREW M5X50 | 3 | PC. | |
| 23 | 152989-9 | MTOR HOUSING COMPLETE | 1 | PC. | |
| | C10 | 643653-8 | BRUSH HOLDER 6. 5-13. 5 | 2 | PC. |
| 24 | 181047-4 | CARBON BRUSH CB-154 | 1 | SET | |
| 25 | 643650-4 | BRUSH HOLDER CAP 6. 5-13. 5 | 2 | PC. | |
| 26 | 163113-9 | SPINDLE LOCK | 1 | PC. | |
| 27 | 341736-5 | WASHER 25 | 1 | PC. | |
| 28 | 213412-0 | O RING 29 | 1 | PC. | |
| 29 | 213459-4 | O RING 32 | 1 | PC. | |
| 30 | 153305-8 | BLADE CASE COMPLETE (INC 29, 36) (TYPE 1) | 1 | PC. | |
| | 154888-1 | BLADE CASE COMPLETE (INC. 29, 36) (TYPE 2) | 1 | PC. | |
| 31 | 931402-8 | HEX. NUT M8 | 1 | PC. | |
| 32 | 911106-8 | PAN HEAD SCREW M8X8 | 1 | PC. | |
| 33 | 341415-5 | LOCK PLATE | 1 | PC. | |
| 34 | 341416-3 | LEVER PLATE | 1 | PC. | |
| 35 | 941201-0 | FLAT WASHER 8 | 1 | PC. | |

| <u>ITEM#</u> | <u>PART #</u> | <u>DESCRIPTION</u> | <u>Q' TY</u> | <u>UNIT</u> |
|--------------|---------------|---------------------------------------|--------------|-------------|
| 36 | 212052-1 | NEEDLE BEARING 1010 | 1 | PC. |
| 38 | 262502-6 | RUBBER SLEEVE 6 (TYPE 1) | 1 | PC. |
| | 262553-9 | RUBBER SLEEVE 6 (TYPE 2) | 1 | PC. |
| 39 | 251247-1 | C. H. SCREW M \times 28 | 1 | PC. |
| | 251350-8 | (+) C. H. SCREW M \times 28 (TYPE2) | 1 | PC. |
| 40 | 321362-6 | BEARING BOX | 1 | PC. |
| 42 | 961055-9 | RETAINING RING S-15 | 1 | PC. |
| 43 | 221687-7 | HELICAL GEAR 43 | 1 | PC. |
| 44 | 257064-7 | RING 15 | 1 | PC. |
| 45 | 911126-2 | PAN HEAD SCREW M \times 16 | 4 | PC. |
| 46 | 211206-7 | BALL BEARING 6202LLB | 1 | PC. |
| 47 | 323789-6 | SPINDLE | 1 | PC. |
| 48 | 254032-1 | WOODRUFF KEY 4 | 1 | PC. |
| 49 | 285807-7 | BEARING RETAINER 22-36 | 1 | PC. |
| 50 | 231753-2 | TENSION SPRING 5 | 1 | PC. |
| | 231838-4 | TENSION SPRING 4 (TYPE 2) | 1 | PC. |
| 51 | 341417-1 | LEVER | 1 | PC. |
| 52 | 911111-5 | PAN HEAD SCREW M \times 10 | 1 | PC. |
| 53 | 315325-2 | SAFETY COVER | 1 | PC. |
| 54 | 961201-4 | RETAINING RING S-42 | 1 | PC. |
| 55 | 224151-7 | INNER FLANGE 40 | 1 | PC. |
| 56 | 224275-9 | OUTER FLANGE 40 | 1 | PC. |
| 57 | 251644-1 | HEX. FLANGE HEAD BOLT M \times 20 | 1 | PC. |
| 58 | 252624-0 | WING NUT M ϕ | 1 | PC. |
| 59 | 942151-2 | SPRING WASHER 6 | 1 | PC. |
| 60 | 941151-9 | FLAT WASHER 6 | 1 | PC. |
| 61 | 163253-3 | ANGULAR PLATE | 1 | PC. |
| 62 | 251858-2 | SCREW M \times 15 | 1 | PC. |
| 63 | 265075-8 | + PAN HEAD SCREW M ϕ | 1 | PC. |
| 64 | 251920-3 | CAP SQUARE NECK BOLT M \times 30 | 1 | PC. |
| 65 | 267096-6 | FLAT WASHER 8 | 1 | PC. |
| 66 | 163250-9 | BASE | 1 | PC. |
| 67 | 265965-5 | CAP SQUARE NECK BOLT M \times 24 | 1 | PC. |
| 68 | 912212-2 | COUNTERSUNK HEAD SCREW M \times 12 | 4 | PC. |
| 69 | 266213-5 | HEX. SOCKET HEAD SCREW M \times 12 | 1 | PC. |
| 70 | 252103-8 | HEX. LOCK NUT M ϕ -8 | 1 | PC. |

ACCESSORIES

| | | | | |
|-----|-----------|------------------------|---|-----|
| A01 | 164095-8 | GUIDE RULE | 1 | PC. |
| A02 | 721336-1A | T. C. T. SAW BLADE 210 | 1 | PC. |
| A03 | 782016-4 | OFFSET WRENCH 13 | 1 | PC. |