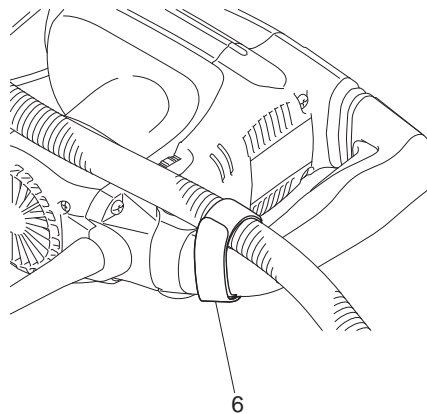
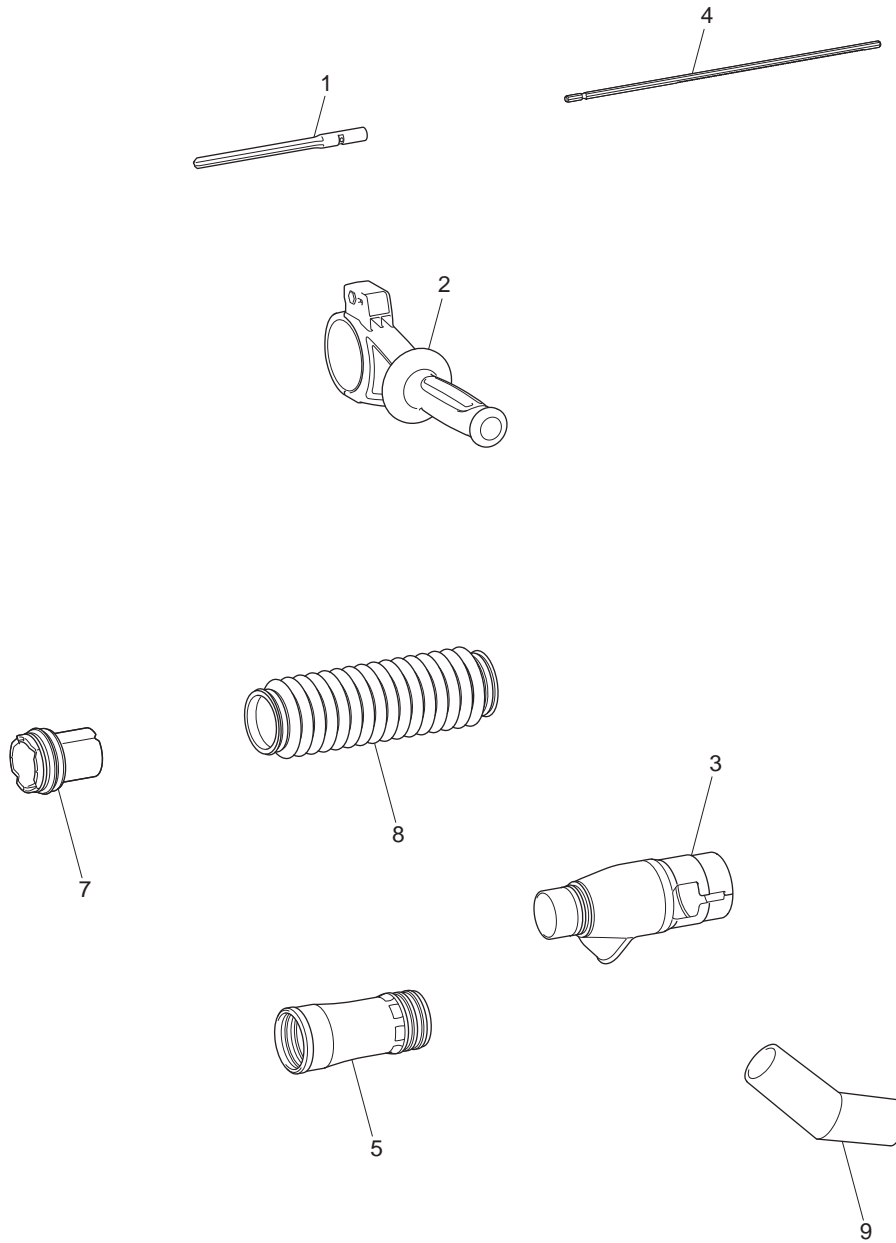




06 - 2012

196074-8

**SDS-MAX DUST EXTRACTION ATTACHMENT**  
**(For Model HR4511C, HR4510C,**  
**HR4011C, HR4010C, HR4002, HR4001C)**



<b>Item No.</b>	<b>Type</b>	<b>Sub</b>	<b>Part No.</b>	<b>Description</b>	<b>Qty</b>	<b>Unit</b>
1			123066-4	DEPTH GAUGE B ASSEMBLY	1	PC.
2			123138-5	SIDE GRIP ASSEMBLY	1	PC.
3			162332-4	DUST COVER COMPLETE	1	PC.
4			331955-1	DEPTH GAUGE	1	PC.
5			424472-9	DUST COVER CAP	2	PC.
6			444034-7	FIXED BAND	1	PC.
7			453115-6	JOINT	2	PC.
8			453118-0	BELLOWS	2	PC.
9			453674-0	JOINT 25	1	PC.
<b><u>ACCESSORIES</u></b>						
A01			141734-7	PLASTIC CARRYING CASE COM.	1	PC.
A02			800E21-0	PLASTIC CASE LABEL, EN/FR/SP	2	PC.



01 - 2013  
Part No. 196536-6  
**ROTARY HAMMER DUST EXTRACTOR ATTACHMENT**  
(For Model HR4013C / HR4013CV )

**\*Diagram Not Available**

Item No.	Part No.	Description	Qty	Unit
1	123066-4	DEPTH GAUGE B ASSEMBLY	1	PC.
2	142287-9	PLASTIC CASE COMPLETE (Not available individually)	1	PC.
3	162356-0	DUST COVER COMPLETE	1	PC.
4	424472-9	DUST COVER CAP	2	PC.
5	453115-6	JOINT	2	PC.
6	453118-0	BELLOWS	2	PC.
7	453674-0	JOINT 25	1	PC.
8	454809-6	HOSE HOLDER C	1	PC.
9	687010-0	BAND	1	PC.