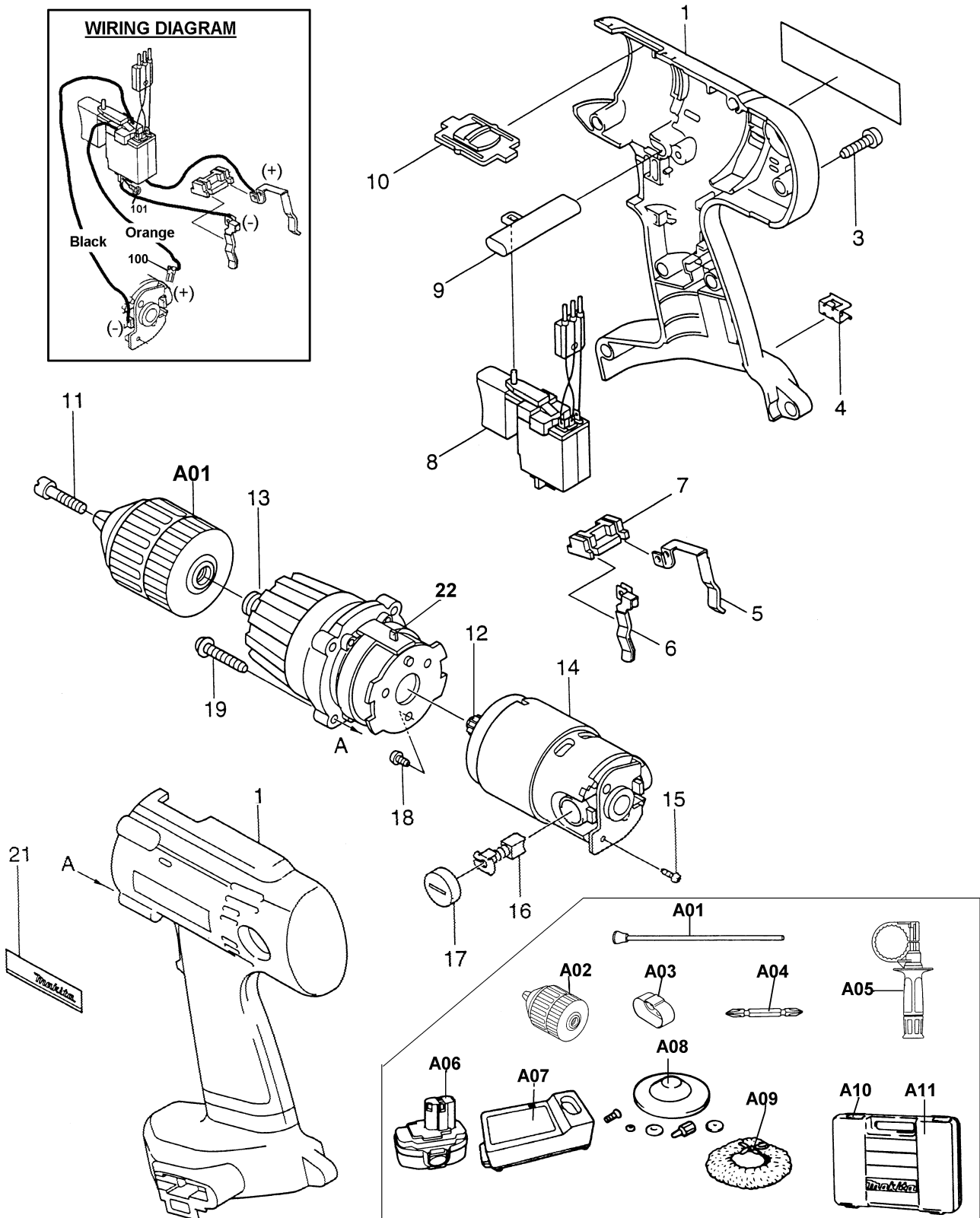
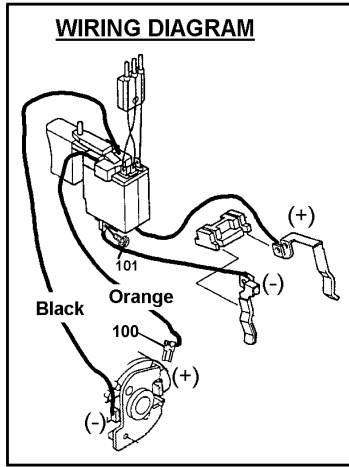


18V DRIVER DRILL
 With Extra Battery

Model 6343DWAE(MCA)



Item No.	Part No.	No. Used	Description	Item No.	Part No.	No. Used	Description
1	183032-3	1	Housing Set	101	652038-7	2	P.H. Screw M3x8
3	266130-9	8	Tapping Screw Bind PT 3X16				
4	344391-2	2	Bit Holder				
5	654168-0	1	Spring Terminal (+)				
6	654169-8	1	Spring Terminal (-)				
7	687085-9	1	Holder				
8	651968-9	1	Switch				
9	416079-5	1	F/R Change Lever				
10	125091-1	1	Speed Change Lever Assy (Includes 2 X 231433-0 - Compression Spring 4)				
11	251465-1	1	(-) Flat Head Screw M6x32				
12	226361-2	1	Spur Gear 20				
13	125088-0	1	Gear Housing Assy				
14	629729-5	1	DC Motor (Includes Items 12, 16 & 17)				
15	911006-2	1	P.H. Screw M3x8				
16	191971-3	2	Carbon Brush (2pcs/Set)	A06	192827-3	1	18V Ni-Cad Battery 1822 2.0Ah
17	643929-3	2	Holder Cap		192829-9	1	18V Ni-MH Battery 1833 2.2Ah
18	266134-1	3	Tapping Screw ST 4X8	A07	DC1801	1	Battery Charger DC1801
19	265999-8	4	Tapping Screw, Flange 4X25	A08	123001-2	1	Rubber Pad Assy
21	819063-3	1	Makita Label	A09	794173-6	1	Wool Bonnet
22	416629-6	1	Change Lever	A10	A00188-3	2	Snap Lock (L)
100	654069-2	4	Receptacle	A11	824525-8	1	Plastic Carrying Case

Accssories