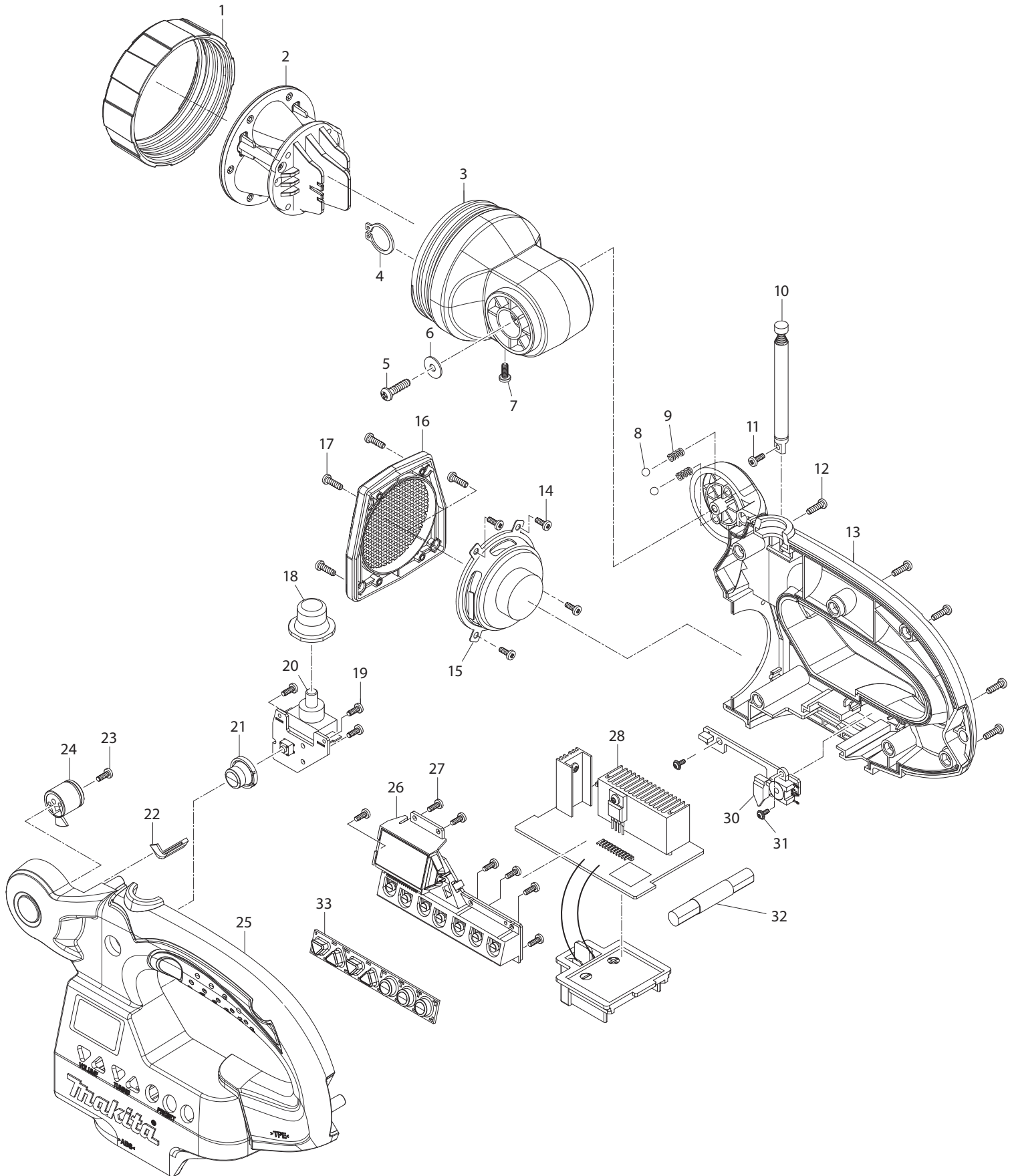




07- 2015

DMR050

14.4/18V FLASHLIGHT+AM/FM RADIO



Item No.	Type	Sub	Part No.	Description	Qty	Unit
1			SE00000108	LIGHT COVER	1	PC.
2			SE00000109	LED MODULE	1	PC.
		INC.	SE00000110	REFLECTOR	1	PC.
3			SE00000111	LIGHT REAR COVER	1	PC.
4			SE00000112	C RING	1	PC.
5			SE00000113	SCREW M4X15	1	PC.
6			SE00000114	WASHER 4	1	PC.
7			SE00000115	SCREW M3X8	1	PC.
8			SE00000116	STEEL BALL 4	2	PC.
9			SE00000117	CLICK SPRING	2	PC.
10			SE00000118	ROD ANTENNA	1	PC.
11			SE00000119	SCREW M2.6X7	1	PC.
12			SE00000120	SCREW M3X10	5	PC.
13			SE00000121	REAR CABINET	1	PC.
14			SE00000119	SCREW M2.6X7	4	PC.
15			SE00000122	SPEAKER KIT	1	PC.
16			SE00000123	SPEAKER GRILL	1	PC.
17			SE00000120	SCREW M3X10	4	PC.
18			SE00000124	PUSH KNOB	1	PC.
19			SE00000119	SCREW M2.6X7	3	PC.
20			SE00000125	LIGHT KNOB ASSY	1	PC.
21			SE00000126	PUSH KNOB	1	PC.
22			SE00000127	WIRE COVER	1	PC.
23			SE00000119	SCREW M2.6X7	1	PC.
24			SE00000128	LIGHT SHAFT	1	PC.
25			SE00000129	FRONT CABINET	1	PC.
26			SE00000131	CIRCUIT BOARD C ASSY	1	PC.
27			SE00000119	SCREW M2.6X7	7	PC.
28			SE00000133	CIRCUIT BOARD A ASSY	1	PC.
30			SE00000134	SENSOR TERMINAL ASSY	1	PC.
31			SE00000135	SCREW M2X5	2	PC.
32			SE00000136	BAR ANTENNA ASSY	1	PC.
33			SE00000137	PUSH KNOB FUNCTION	1	PC.
<u>ACCESSORIES</u>						
A01			SE00000138	STRAP	1	PC.
A02			-----	BATTERY CHARGER		
A03			-----	18V LI-ION BATTERY		
A04			-----	LI-ION BATTERY ACCESSORIES		