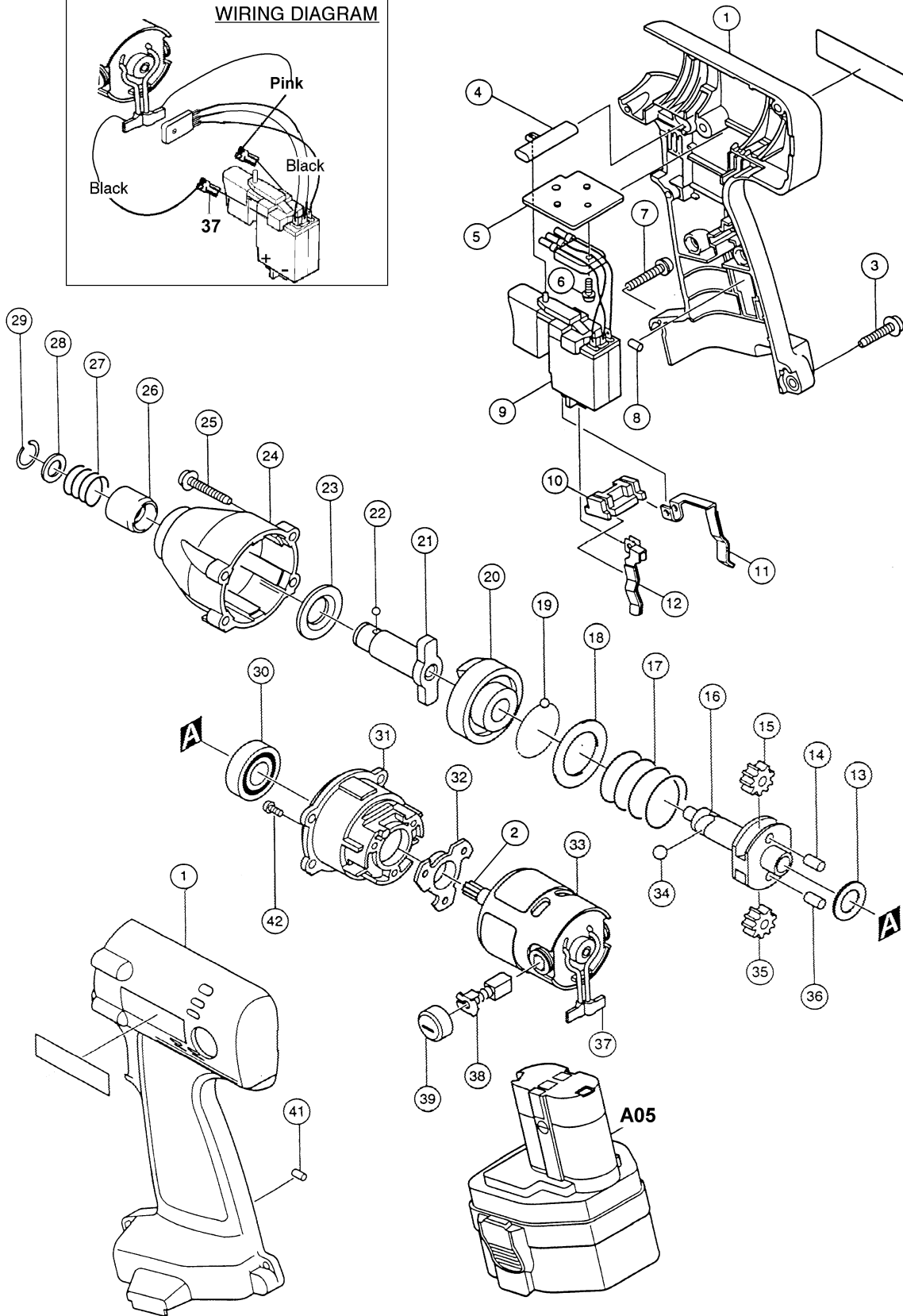
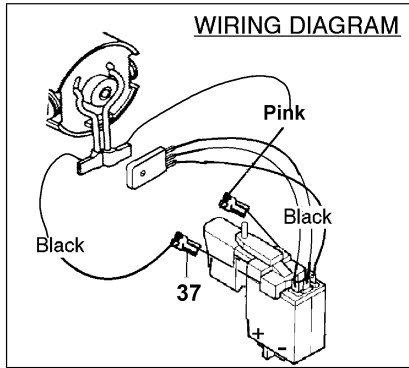
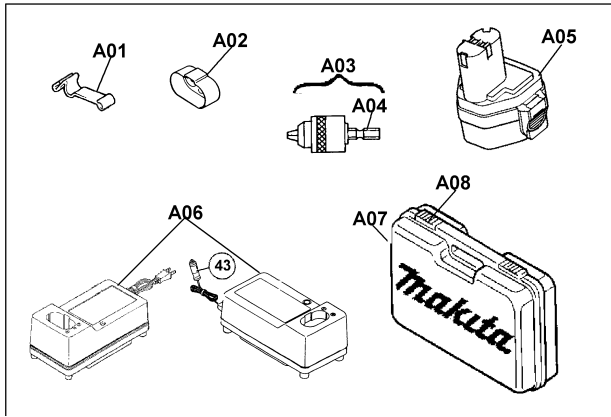


## 12V SUPER HIGH CAPACITY IMPACT DRIVER KIT Model 6914DWA(MJ)





Item No.	Part No.	No. Used	Description
1	182945-5	1	Housing Set
2	226337-9	1	Spur Gear 7
3	265995-6	7	Tapping Screw 4x18
4	416079-5	1	F/R Change Lever
5	689070-8	1	Radiating Plate
6	911006-2	1	P.H. Screw M3x8
7	911143-2	1	P.H. Screw M4x22
8	263002-9	1	Rubber Pin 4
9	651939-6	1	Switch
10	687085-9	1	Holder
11	654168-0	1	Spring Terminal (+)
12	654169-8	1	Spring Terminal (-)
13	253052-2	1	Flat Washer 12
14	256253-1	1	Pin 5
15	226340-0	1	Spur Gear 18
16	323731-7	1	Spindle
17	233205-9	1	Compression Spring 24
18	267175-0	1	Flat Washer 24
19	216001-0	24	Steel Ball 3.5
20	322999-2	1	Hammer
21	<b>324267-9</b>	1	Anvil (Old 322754-2)
22	216001-0	2	Steel Ball 3.5
23	261108-7	1	Nylon Washer 14
24	152570-6	1	Hammer Case Com.
25	265999-8	4	Tapping Screw, Flange 4x25
26	<b>324420-7</b>	1	Sleeve (Old 322434-0)
27	233005-7	1	Compression Spring 13
28	267085-1	1	Flat Washer 12
29	231951-8	1	Ring Spring 11
30	211101-1	1	Ball Bearing 6001LLB
31	152575-6	1	Internal Gear Case Com.
32	416400-8	1	Plate
33	629717-2	1	DC Motor (Includes Items 2, 37 - 39) (Type 1)
	<b>629763-5</b>	1	DC Motor (Includes Items 2, 37 - 39) (Type 2)
34	216011-7	2	Steel Ball 5.6
35	226340-0	1	Spur Gear 18
36	256253-1	1	Pin 5
37	654069-2	4	Receptacle
38	191966-6	2	Carbon Brush CB-424 (2pcs/Set)
39	643933-2	2	Holder Cap
41	263002-9	1	Rubber Pin 4
42	266177-3	3	Hex Socket Head Bolt M3x10
43	655000-B	1	Cigarette Lighter Plug

Item No.	Part No.	No. Used	Description
<b>Accessories</b>			
A01	343579-1	1	Set Plate (Part) (For Non Latch Batteries)
A02	414938-7	1	Battery Cover
A03	192123-9	1	3/8" Keyless Drill Chuck (Metal) (With A04) (Type 1)
	<b>192048-7</b>	1	3/8" Keyless Drill Chuck (Metal) (With A04) (Type 2)
A04	784635-2	1	Connect Bit 6.35-44
A05	192598-2	1	12V Ni-Cad Battery 1222 (2.0Ah)With Latch
	<b>192681-5</b>	1	12V Ni-Cad Battery 1220 (1.3Ah)With Latch
	<b>192681-B</b>	1	12V Ni-Cad Battery 1220 Brown Box (1.3Ah) With Latch
	<b>192296-8</b>	1	12V Ni-Cad Battery 1201(1.7Ah)(No Latch)
	<b>192407-5</b>	1	12V Ni-Cad Battery 1201A With Power Display (1.7Ah) No Latch
	<b>192698-A</b>	1	12V Ni-MH Battery 1233 (2.2Ah) With Latch
	<b>193157-5</b>	1	12V Ni-MH Battery 1234 (2.6Ah) With Latch
	<b>193138-9</b>	1	12V Ni-MH Battery 1235 (3.0Ah) With Latch
	<b>193623-2</b>	1	12V Ni-MH Battery 1235F (3.0Ah) (With LED Light) With Latch
A06	DC1411	1	Charger DC1411 For 7.2V ~ 14.4V Ni-Cad & Ni-MH Batteries (1.3Ah ~ ~ 3.0Ah)
	<b>DC1439</b>	1	Rapid Charger DC1439 For 7.2V ~ 14.4V Ni-Cad & Ni-MH Batteries (1.3Ah ~ 3.0Ah)
	<b>DC1470</b>	1	Charger DC1411 For 7.2V ~ 14.4V Ni-Cad Batteries (1.3Ah)
	<b>DC1803</b>	1	Charger DC1803 For 7.2V ~ 18V Ni-Cad & Ni-MH Batteries (1.3Ah ~ 3.0Ah)
	<b>CAADC1412</b>	1	Automotive Charger DC1412 For 7.2V ~ 14.4 V Ni-Cad Batteries (1.3Ah ~ 2.0AH)(With Item 43)
	<b>DC1422</b>	1	Automotive Charger DC1422 For 7.2V ~ 14.4V Ni-Cad & Ni-MH Batteries (1.3Ah ~ 3.0Ah) (With Item 43)
	<b>DC1822</b>	1	12V Automotive Charger DC1822 For 7.2V ~ 18V Ni-Cad & Ni-MH Batteries (1.3Ah ~ 3.0Ah)(Includes Item 43)
A07	<b>824635-1</b>	1	Plastic Carrying Case (Includes Item A08) (Old 824489-6)
A08	186347-7	2	Slide Latch Set (2pcs/Set)