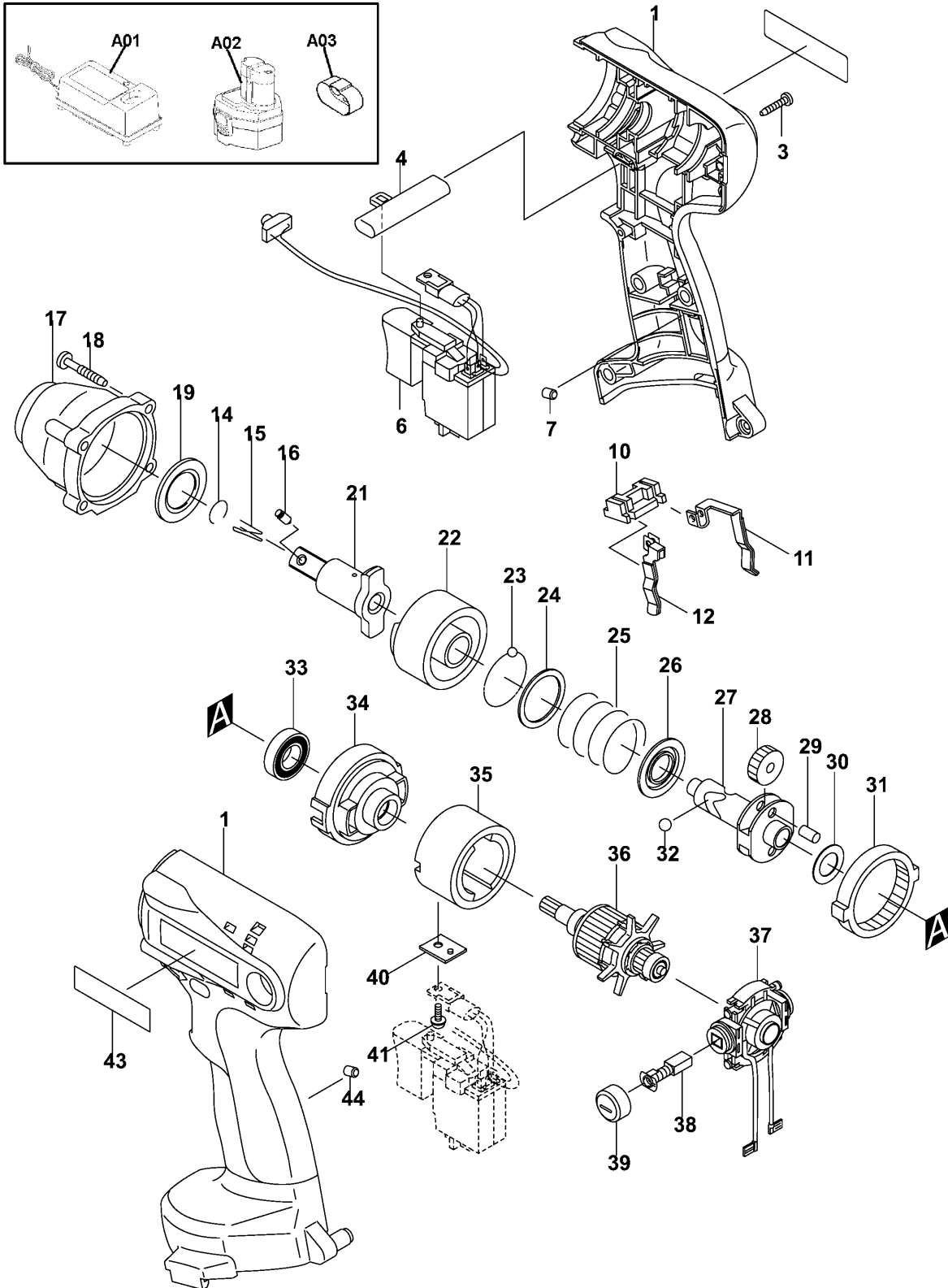
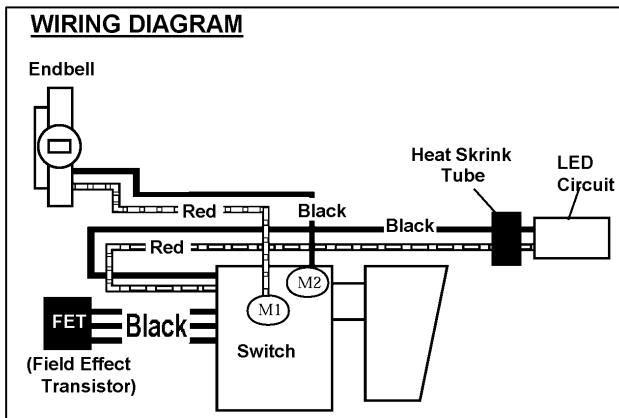




12V IMPACT WRENCH KIT (W/LED LIGHT)

Model 6918FDWDE(MCA)





Item No.	Part No.	No. Used	Description	Item No.	Part No.	No. Used	Description
1	183694-7	1	Housing Set (Includes Items 7, 43 & 44)	33	211150-8	1	Ball Bearing 6901ZZ
3	266130-9	8	Tapping Screw Bind PT 3X16	34	417269-3	1	Internal Gear Case
4	416079-5	1	F/R Change Lever	35	632964-6	1	Yoke Unit
6	638288-8	1	Switch Unit	36	619057-6	1	Armature
7	263024-9	1	Rubber Pin 4	37	638156-5	1	Endbell Com
10	687085-9	1	Holder	38	193466-2	2	Carbon Brush CB-434 (2pcs/Set)
11	654168-0	1	Spring Terminal (+)	39	643982-9	2	Brush Holder Cap
12	654169-8	1	Spring Terminal (-)	40	689096-0	1	FET Spacer
14	231907-1	1	Ring Spring 10	41	266170-7	1	Tapping Screw ST3X8
15	322045-1	1	Clip	43	819063-3	1	Makita Label
16	323675-1	1	Pin 4	44	263024-9	1	Rubber Pin 4
17	153873-1	1	Hammer Case Com	Accessories			
18	265999-8	4	Tapping Screw 4X25	A01	DC1414	1	Charger DC1414 F/7.2V - 14.4V Ni-Cad & Ni-MH Batteries (1.3Ah - 3.0Ah) (For other Chargers, See Catalogue)
19	261116-8	1	Nylon Washer 14	A02	193157-5	1	12V Ni-MH Battery 1234 (2.6Ah) (For others Batteries, See Catalogue)
21	323893-1	1	Anvil	A03	414938-7	1	Battery Cover
22	323997-9	1	Hammer	A04	183763-4	1	Plastic Carrying Case (Includes Items A05 & A06) (Photo not Available)
23	216001-0	24	Steel Ball 3.5	A05	417723-7	1	Handle
24	267175-0	1	Flat Washer 24	A06	417724-5	2	Latch
25	233274-0	1	Compression Spring 25				
26	267766-7	1	Cup Washer 14				
27	324220-5	1	Spindle				
28	226336-1	2	Spur Gear 22				
29	256253-1	2	Pin 5				
30	267212-0	1	Flat Washer 12				
31	227001-5	1	Internal Gear 51				
32	216011-7	2	Steel Ball 5.6				

REPAIR TOOLS

1R045 - Large Gear Extractor

181573-3 - Makita Grease N No.2 100G (3.5OZ)