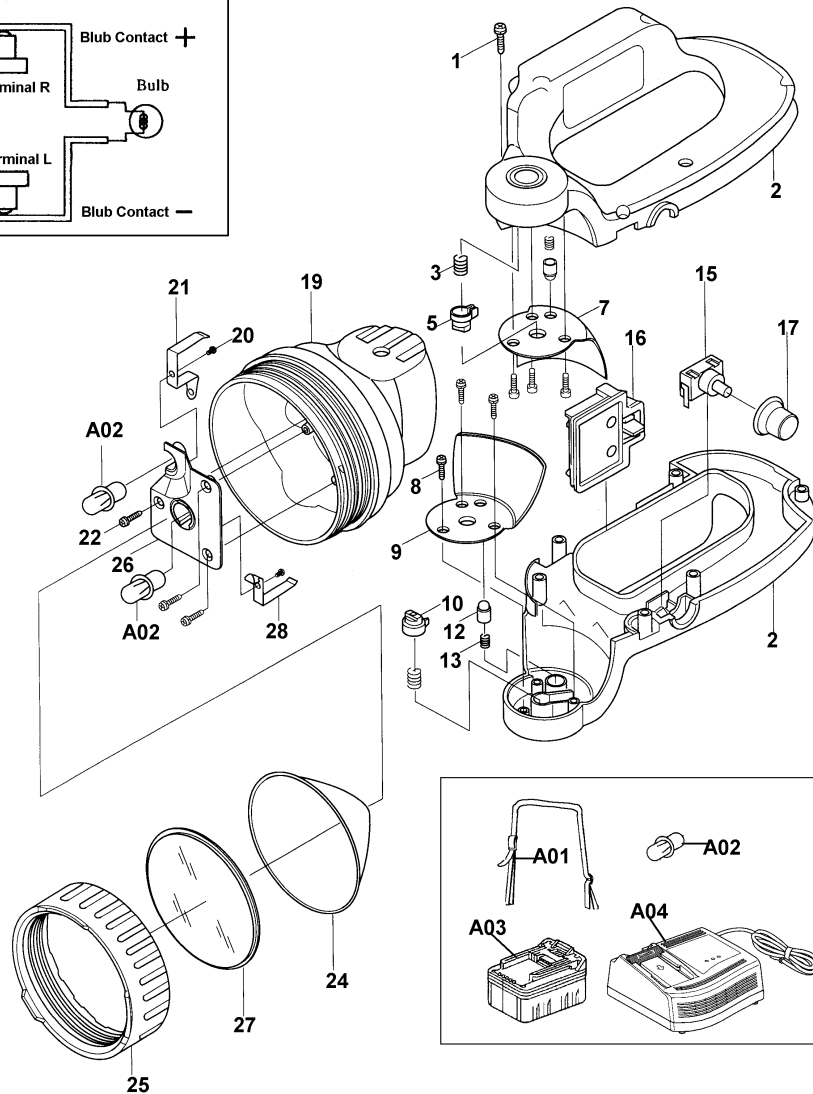
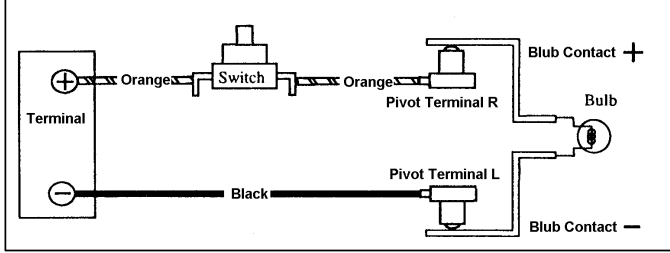


WIRING DIAGRAM



Item No.	Part No.	No. Used	Description
1	GM00000400	6	Screw 3.5X16
2	GM00000410	1	Housing Set
3	GM00000420	2	Compression Spring 8.8
5	GM00000430	1	Pivot Terminal (Left)
7	GM00000450	1	Body Cover (Right)
8	GM00000460	6	Screw 3X10
9	GM00000470	1	Body Cover (Left)
10	GM00000480	1	Pivot Terminal (Right)
12	GM00000500	2	Knock Shaft
13	GM00000510	2	Compression Spring 5.4
15	GM00000520	1	Switch
16	GM00000530	1	Battery Holder
17	GM00000540	1	Rubber Cover
19	GM00000560	1	Case Head
20	GM00000570	2	Screw 2.6X5
21	GM00000580	1	Bulb Contact (+)

Item No.	Part No.	No. Used	Description
22	GM00000460	3	Screw 3X10
24	GM00000610	1	Reflector
25	GM00000620	1	Reflector Retainer
26	GM00000630	1	Bulb Holder
27	GM00000640	1	Lens
28	GM00000650	1	Bulb Contact Plate (-)
Accessories			
A01	GM00000660	1	Strap
A02	A-90984	1	Bulb Set (2pcs/Set)
A03	193128-2	1	24V Ni-MH Battery B2417 (1.7Ah)
	193131-3	1	24V Ni-MH Battery B2430 (3.0Ah)
A04	DC24SA	1	24V Fast Charger