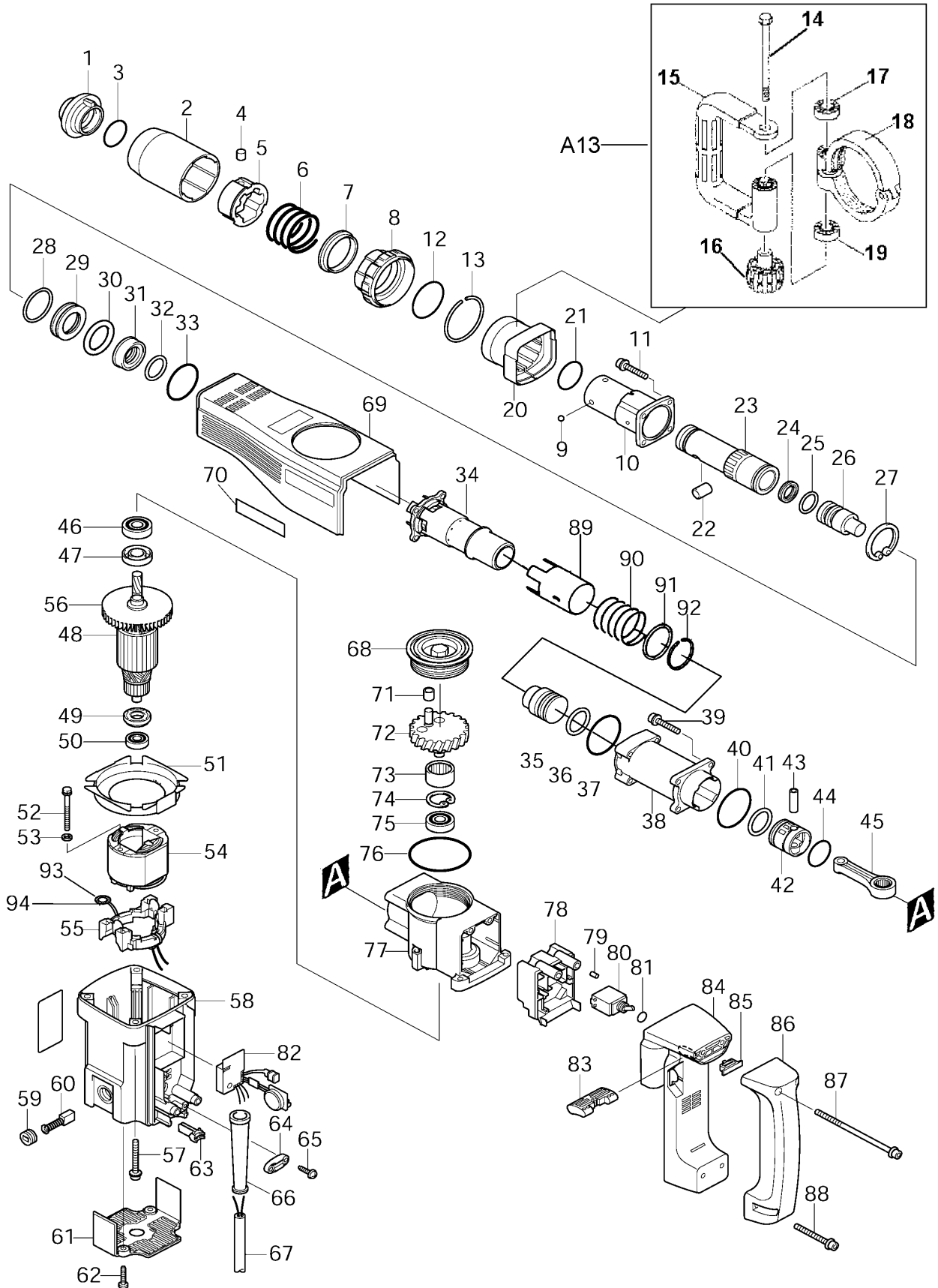
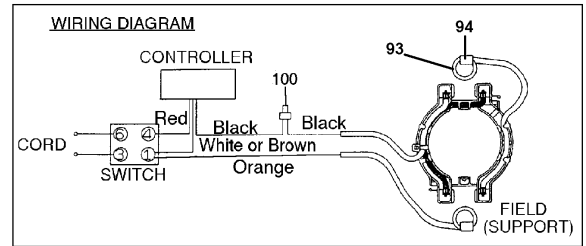
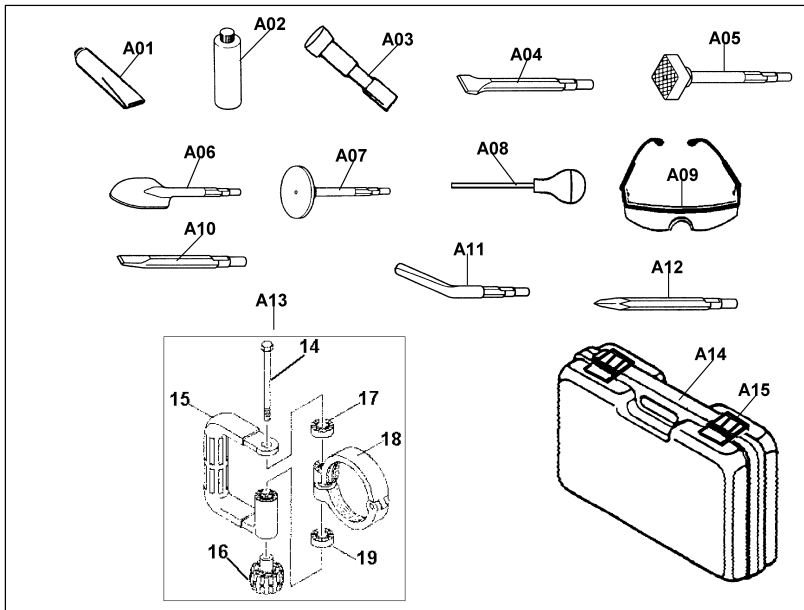


DEMOLITION HAMMER - Bosch Style Shank
Model HM1140C(MJ)





Item No.	Part No.	No. Used	Description	Item No.	Part No.	No. Used	Description
1	286252-9	1	Tool Holder Cap	41	213429-3	1	O Ring 27
2	416790-9	1	Tool Holder Cover	42	415773-6	1	Piston
3	213430-8	1	O Ring 28	43	257676-6	1	Sleeve 6
4	256156-9	1	Pin 6	44	213415-4	1	O Ring 28
5	323833-9	1	Roller Guide	45	415689-5	1	Rod
6	233208-3	1	Compression Spring 47	46	211143-5	1	Ball Bearing 6201DDW (Old 211129-9)
7	331489-4	1	Steel Ball Guide	47	213160-1	1	Oil Seal 14
8	416087-6	1	Change Ring (Black -> Dark Orange)	48	516286-1	1	Armature Assy 115V (Includes Items 49, 50 & 56)
9	216011-7	4	Steel Ball 5.6	49	681650-6	1	Insulation Washer
10	323835-5	1	Tool Holder Support	50	211033-2	1	Ball Bearing 608LB
11	922351-0	4	Hex. Socket Head Bolt M6X30	51	415693-4	1	Baffle Plate
12	213554-0	1	O Ring 44	52	265345-5	2	(+) Hex. Bolt M5X60
13	231972-0	1	Ring Spring 52	53	941102-2	2	Flat Washer 5
14	265439-6	1	Hex. Bolt M8X150	54	634281-0	1	Field 115V
15	*	1	Side Handle	55	632678-7	1	Support Com.
16	252640-2	1	Knob	56	241876-8	1	Fan 76
17	*	1	Handle Base 60/Side Handle Com	57	922364-1	4	Hex. Socket Head Bolt M6X40
18	*	1	Handle Spring 60/Side Handle Com 6	58	*	1	Motor Housing Com. (Includes 263014-2 - Rubber Pin 4 & 2X643754-2 - Brush Holder)
19	*	1	Handle Base 60/Side Handle Com				
20	416086-8	1	Side Handle Support	59	643750-0	2	Brush Holder Cap
21	213479-8	1	O Ring 33	60	191961-6	1	Auto Cut-Off Carbon Brush CB-304
22	323860-6	1	Roller 12	61	415700-3	1	Rear Cover
23	323834-7	1	Tool Holder	62	266021-4	2	Tapping Screw 5X20
24	213269-9	1	X Ring 19	63	415695-0	1	Fix Rod
25	213311-6	1	O Ring 19	64	687052-4	1	Strain Relief
26	323845-2	1	Impact Bolt	65	265995-6	2	Tapping Screw 4X18
27	962154-0	1	Retaining Ring R-36	66	*	1	Cord Guard 10-90
28	421570-0	1	Ring 36	67	664276-9	1	Cord With Plug 2P-18-5.0
29	331487-8	1	Impact Bolt Guide	68	415690-0	1	Crank Cap
30	213391-2	1	O Ring 25	69	415698-4	1	Housing Cover Com.
31	331526-4	1	Sleeve Guide	70	819064-1	1	Makita Mark
32	213370-0	1	O Ring 22	71	216116-3	1	Inner Sleeve 812
33	213554-0	1	O Ring 44	72	153249-2	1	Crank Shaft Com.
34	322757-6	1	Cylinder Liner 34	73	212259-9	1	Needle Bearing 2116
35	323861-4	1	Striker	74	962105-3	1	Retaining Ring R-26
36	213429-3	1	O Ring 27	75	210054-1	1	Ball Bearing 6000LLU
37	213614-8	1	O Ring 50	76	213707-1	1	O Ring 65
38	316672-4	1	Barrel	77	317143-4	1	Crank Housing
39	922351-0	4	Hex. Socket Head Bolt M6x30	78	415699-2	1	Switch Box
40	213606-7	1	O Ring 48				

Item No.	Part No.	No. Used	Description	Item No.	Part No.	No. Used	Description
79	263002-9	2	Rubber Pin 4	A03	798132-2	1	Ground Rod Adapter 20
80	651481-7	1	Switch STE215K	A04	798141-1	1	Scaling Chisel 50-300
81	213107-5	1	O Ring 12	A05	798144-5	1	Bushing Tool 67
82	631203-1	1	Controller 100/115V	A06	798148-7	1	Clay Spade 105-400
83	415691-8	1	Switch Lever	A07	798149-5	1	Rammer 140
84	*	1	Controller Cover	A08	765009-6	1	Blow-Out Bulb 64
85	415692-6	1	Stopper	A09	191686-A	1	Makita Safety Glasses
86	421507-7	1	Handle	A10	798139-8	1	Cold Chisel 26-300
87	266135-9	2	Hex. Socket Head Bolt M6X90		798140-3	1	Cold Chisel 26-450
88	922371-4	2	Hex. Socket Head Bolt M6X50	A11	798142-9	1	Grooving Chisel 22-300
89	331486-0	1	Sleeve 39		798143-7	1	Grooving Chisel 26-300
90	233190-6	1	Compression Spring 39	A12	798146-1	1	Bull Point 19-300
91	267156-4	1	Flat Washer 39		798147-9	1	Bull Point 19-450
92	231971-2	1	Ring Spring 36	A13	*	1	Side Handle Assy (Includes Items 14 - 19)
93	654020-2	1	Ring Terminal	A14	150676-4	1	Plastic Carrying Case (Includes Item A15)
94	654501-6	1	Connector P-1.25	A15	416401-6	2	Latch
100	654509-0	1	Closed End Terminal 2-SD				

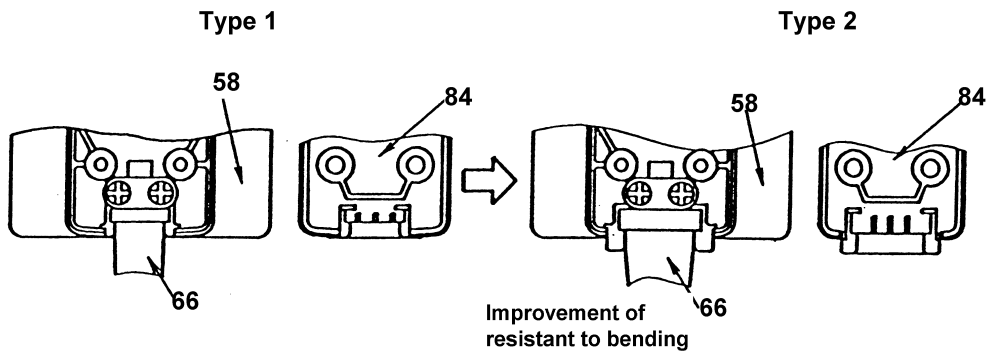
Accessories

A01	181573-3	1	Bit Grease
A02	A-90582	1	Hammer Grease 30cc

* SEE SERVICE CHANGES

SERVICE CHANGES

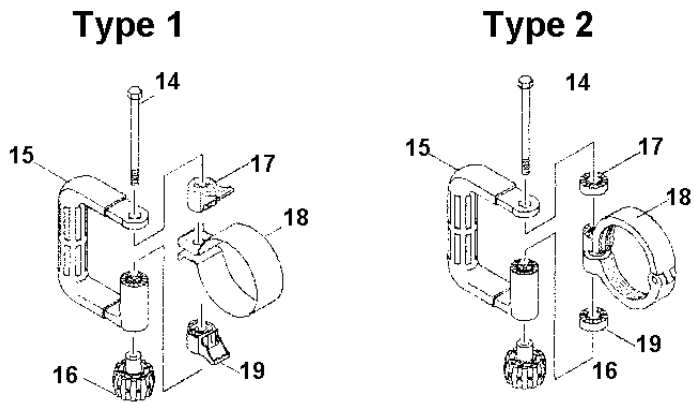
1. Change on Motor Housing Com. Controller Cover, Cord Guard.



Item No.	Description	Type 1	Type 2
58	Motor Housing Com.	159919-1	152662-1
66	Cord Guard 10	682505-8	682560-0
84	Controller Cover	415696-8	417447-5
	Serial No.	~ 2599E	2600E ~

Above parts are completely interchangeable as a set.

2. Modification of D-shaped Side Handle



Item No.	Description	Type 1	Type 2
15	Side Handle	416009-6	417003-1
17	Side Handle Cam	416396-3	417002-3
18	Side Handle Base 60 Com	344559-0	152620-7
19	Side Handle Cam	416396-3	417002-3
A13	Side Handle Assy	134793-8	134909-5

Above parts are completely interchangeable as a set.