

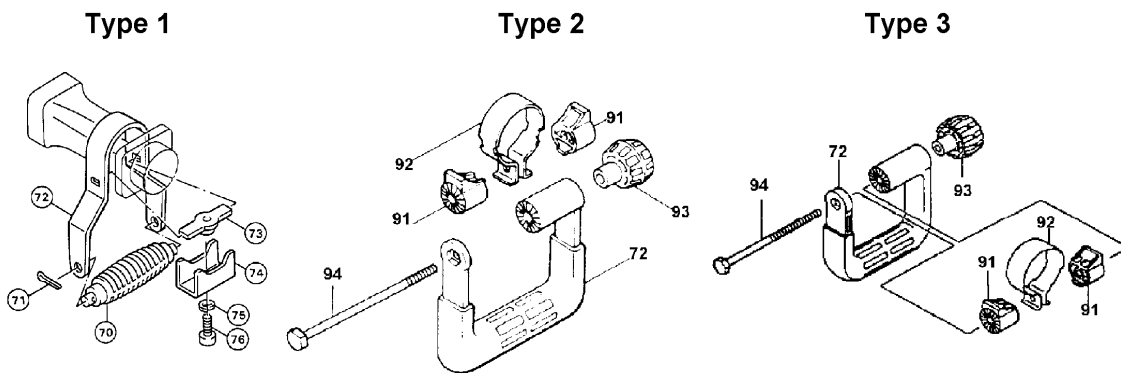
Item No.	Part No.	No. Used	Description	Item No.	Part No.	No. Used	Description
1	151310-9	1	Barrel Com. (Includes 331331-9 - Cylinder Liner 40)	48	410163-8	1	Baffle Plate
2	922451-6	4	Hex. Socket Head Bolt M8x30	49	265347-1	2	(+) Hex Bolt M5x45
3	213655-4	1	O Ring 56	50	524631-6	1	Field Assy (Includes 2X654020-2 & Garter Spring & 2X654502-4 - Solderless Connector P-2)
4	321732-9	1	Striker	51	953106-2	4	Rivet 0-5
5	412049-2	1	Piston Ring 40	53	159034-1	1	Motor Housing (Includes 2X643653-8-Brush Holder 6.5-13.5 & 2X913206-0 - Set Screw M5x8)
6	341862-0	1	Inner Ring 36	54	643650-4	2	Brush Holder Cap 6.5-13.5
7	412049-2	1	Piston Ring 40	55	181048-2	2	Auto Cut-Off Carbon Brush CB-155 (2pcs/Set)
8	341862-0	1	Inner Ring 36	56	284055-5	1	Rear Cover
9	256120-0	1	Pin 10	57	942101-7	2	Spring Washer 5
10	150369-3	1	Crank Cap	58	922222-1	2	Hex Socket Head Bolt M5x16
11	213754-2	1	O Ring 71	59	922371-4	4	Hex Socket Head Bolt M6x50
12	315419-3	1	Connecting Rod	60	941151-9	4	Flat Washer 6
13	212208-6	1	Needle Bearing 1516	61	931302-2	1	Hex Nut M6
14	152180-9	1	Crank Shaft Com. (Includes 216114-7 - Inner Race 1216)	62	942151-2	1	Spring Washer 6
15	254001-2	1	Woodruff Key 4	63	941151-9	1	Flat Washer 6
16	962251-2	1	Retaining Ring R-52	64	911243-8	2	P.H. Screw M5x25
17	211327-5	1	Ball Bearing 6304LLU (Old 211314-4 - 6304)	66	182564-7	1	Handle Set (Includes 263002-9 - Rubber Pin 4)(Old 414276-7)
18	213656-2	1	O Ring 53	67	911129-6	1	P.H. Screw M4x16
19	156863-3	1	Crank Housing Com. (Includes Item 18)	68	651145-3	1	Switch AC/DC
20	213306-9	1	Oil Seal 20	69	421265-5	1	Dust Cover
21	221701-9	1	Helical Gear 50	70	*	1	Grip 38
22	211209-1	1	Ball Bearing 6202	71	*	2	Split Pin 3.0-20
23	256111-1	1	Pin 6	72	*	1	Side Handle
24	157799-9	1	Gear Housing (Includes 213460-9 - O Ring 35)	73	*	1	Clamp Nut
25	321441-0	1	Piston	74	*	1	Grip Base
26	267059-2	1	Flat Washer 32	75	*	1	Spring Washer 10
27	261054-4	1	Nylon Washer 32	76	*	1	Hex Socket Head Bolt M10x25
28	253845-7	1	Flat Washer 31	77	922316-2	2	Hex Socket Head Bolt M6x14
29	213604-1	1	O Ring 50	78	343755-7	2	Cushion Plate
30	322569-7	1	Impact Bolt	79	182564-7	1	Handle Set (Includes 263002-9 - Rubber Pin 4) (Old 414275-9)
31	213472-2	1	X Ring 35	80	321210-9	1	Handle Shaft
32	213464-1	1	O Ring 34	81	682567-6	1	Cord Guard 8-90 (Old 682503-2)
33	256219-1	1	Pin 4	82	664664-0	1	Cord with Plug 3P-18-5.0M
34	322570-2	1	Tool Retainer	664124-2	1	Cord with Plug 3P-18-2.5M	
35	322571-0	1	Tool Holder	83	678001-1	1	Strain Relief
36	922451-6	4	Hex Socket Head Bolt M8x30	84	911133-5	2	P.H. Screw M4x18
37	231281-7	1	Compression Spring 15	87	265914-2	2	Hex Socket Head Bolt M6x25
38	322699-4	1	Retainer Ring	88	257636-8	2	Sleeve 6
39	331180-4	1	Seal	89	262052-1	2	Rubber Ring 9
40	213460-9	1	O Ring 35	90	262051-3	2	Rubber Ring 9
41	211206-7	1	Ball Bearing 6202LLB	91	*	2	Handle Base 60
42	213202-1	1	Dust Seal 15	92	*	1	Handle Spring 60
43	241638-4	1	Fan 94	93	252640-2	1	Nut M8
44	514776-8	1	Armature Assy (Includes Items 41-43, 45 & 46)				
45	681635-2	1	Insulation Washer				
46	211087-9	1	Ball Bearing 6200DDW (Old 211066-7 - 6200LLB)				
47	213406-5	1	O Ring 30				

Item No.	Part No.	No. Used	Description	Item No.	Part No.	No. Used	Description
94	265439-6	1	Hex Bolt M8X150	A05	751421-A	1	12" Bull Point
100	652014-1	7	P.H. Screw M4x8		751422-A	1	18" Bull Point
101	652252-5	4	Clamp Washer				
102	654002-4	6	Solderless Eye Terminal 1.25-M4	A06	751224-A	1	7/8" x 12" Flat Chisel
					751225-A	1	7/8" x 18" Flat Chisel
103	654032-5	1	Flat Washer 4	A07	751226-A	1	3" x 12" Scaling Chisel
104	654031-7	1	Cup Washer 4	A08	751623-A	1	4-1/2" Clay Spade
Accessories				A09	751712-A	1	5" Square Tamper Plate
A01	A-90582	1	Hammer Grease (30g) (Old 181490-7)	A10	751713-A	1	8" Tamper Shank
A02	783202-0	1	Hex Wrench 4	A11	751105-A	1	3/4" Ground Rod Driver
A03	765009-6	1	Blow - Out Bulb	A12	751624-A	1	5" Asphalt Cutter
A04	782407-9	1	Lock Nut Wrench 35	A13	751227-A	1	2" x 12" Scraping Chisel
				A14	191686-A	1	Makita Safety Glasses
				A15	150586-5	1	Plastic Carrying Case(Includes Item A16)
				A16	416401-6	2	Latch
				A17	134793-8	1	Side Handle Assy (Includes Items 72 & 91 - 94)

* SEE SERVICE CHANGES

SERVICE CHANGES

1. Change on Side Handle.



Item No.	Description	Type 1	Type 2	Type 3
70	Grip 38	273490-2	-----	-----
71	Split Pin 3.0-20	952257-8 (2pcs)	-----	-----
72	Side Handle	343322-8	416009-6	-----
73	Clamp Nut	321949-4	-----	-----
74	Grip Base	343321-0	-----	-----
75	Spring Washer	942251-8	-----	-----
76	Hex Socket Head Bolt M10x25	922542-3	-----	-----
91	Handle Base 60	-----	416010-1 (2pcs)	416396-3 (2pcs)
92	Handle Spring 60	-----	344379-2	344559-0
93	Nut M8	-----	252640-2	-----
94	Hex Bolt M8x150	-----	265439-6	-----
A02	Hex Wrench (For Item 76)	783210-1	-----	-----
A14	Side Handle Assy (Includes Items 72 & 91 - 94)	-----	134793-8	-----

Above parts are completely interchangeable as a set.
Tools sold in Canada have Type 2 or Type 3 Side Handle from 1st time.