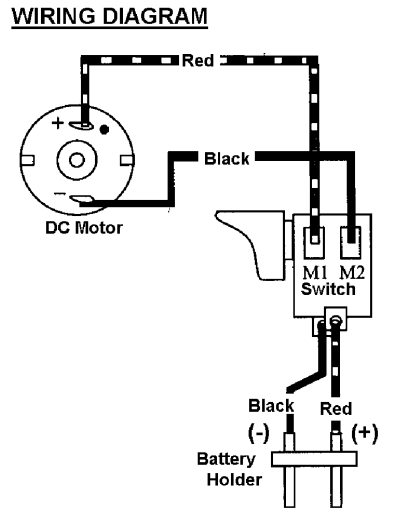
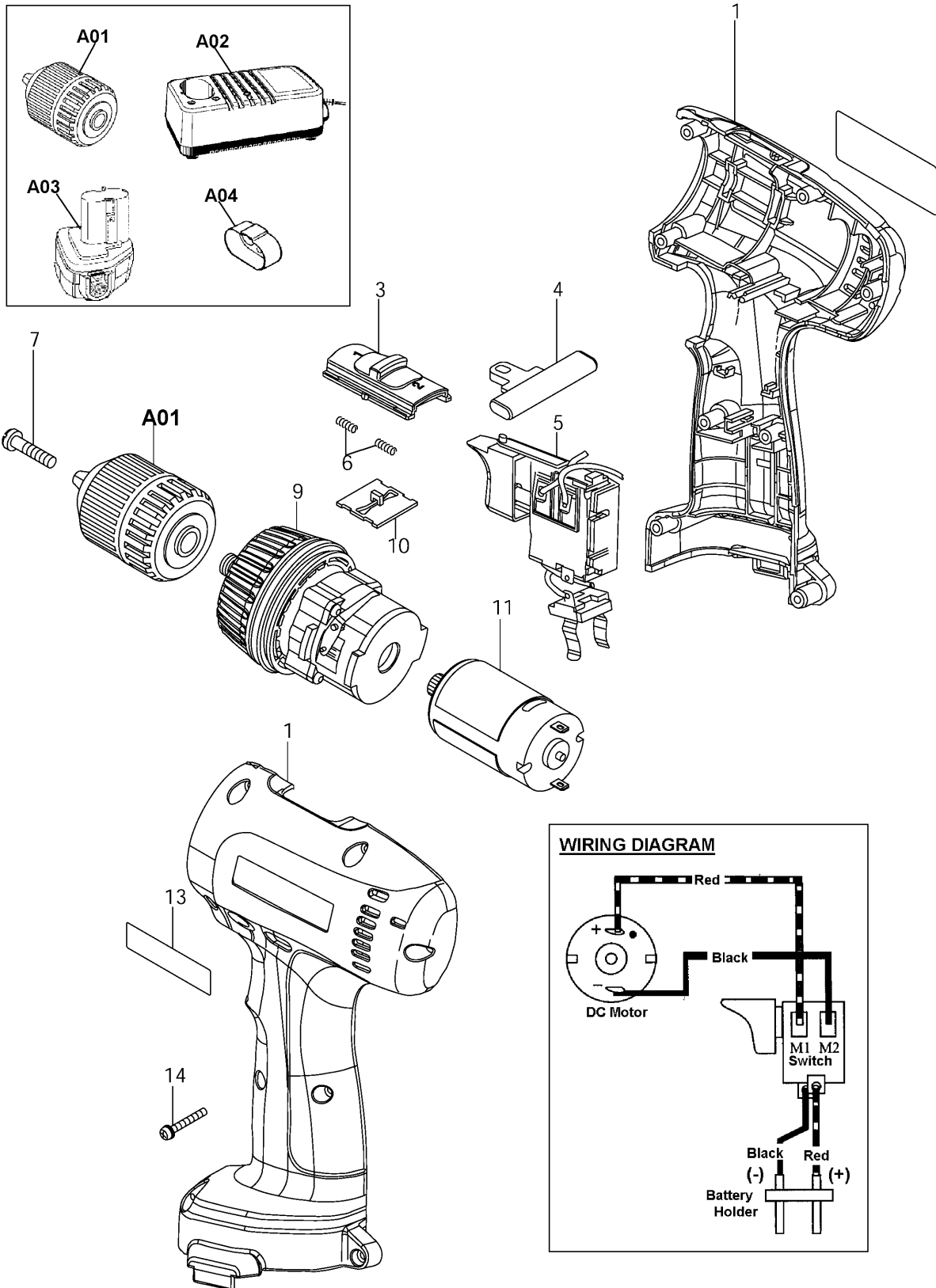


# maktec<sup>®</sup> 12V 3/8" 2-VAR SPD DRILL KIT

by *Makita*

Model MT063SK2(MKC)



Item No.	Part No.	No. Used	Description	Item No.	Part No.	No. Used	Description
1	183815-1	1	Housing Set (Includes Item 13)	<b>Accessories</b>			
3	417982-3	1	Speed Change Lever	A01	763180-0	1	3/8" Keyless Drill Chuck - Bulk
4	417980-7	1	Change Lever	A02	DC1850	1	Charger DC1850 F/9.6V ~ 18V (1.3Ah) Batteries
5	650531-5	1	Switch	A03	193969-6	1	12V Ni-Cad Battery 1250 Set (1.3Ah)
6	233352-6	2	Compression Spring 4	A04	417922-1	1	Battery Cover
7	251466-9	1	(-) P.H. Screw M5X22	A05	183817-7	1	Plastic Carrying Case(Includes Item A06 & Maktec Logo Label - 819159-0) (Photo Not Available)
9	125176-3	1	Gear Assy	A06	182935-8	1	Slide Latch (R & L) Set
10	417981-5	1	Lever Holder				
11	629798-6	1	DC Motor				
13	819126-5	1	Maktec Logo Label				
14	265109-7	8	P.H. Screw M3X22				