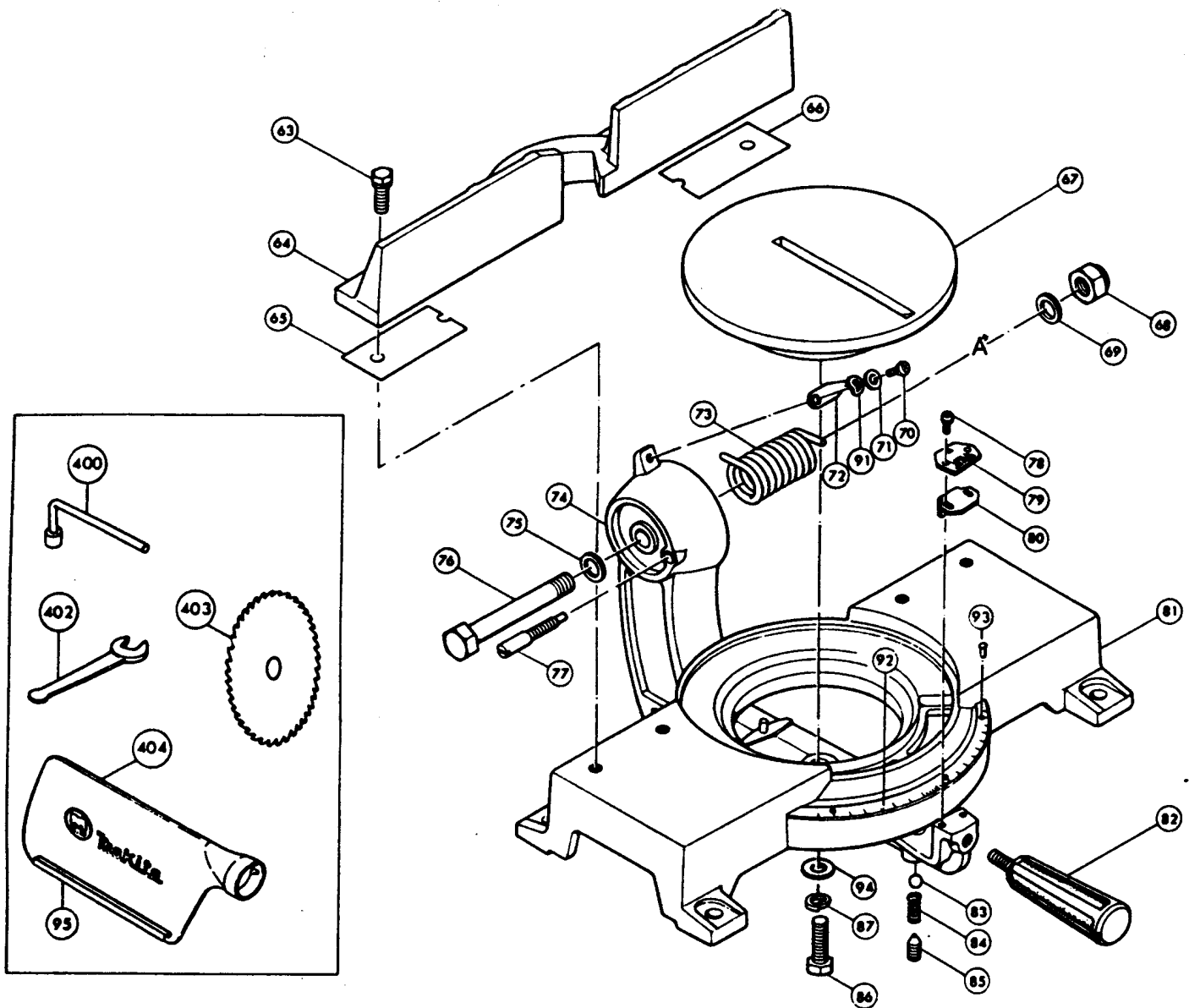


Item No.	Part No.	No. Used	Description
10	181047-4	2	Carbon Brush CB-154
	181506-8	2	Auto Cut-Off Carbon Brush CB-157 (Optional)
11	643650-4	2	Brush Holder Cap
12	*	1	Motor Housing (With Items 7, 89, 99 & 100)
13	654502-4	2	Solderless Connector P-2
14	*	1	Handle Cover
15	911101-8	1	Pan Head Screw M4x6 (With Washer)
16	651115-2	1	Switch
17	931102-0	3	Hex Nut M4
18	285645-7	1	Bearing Retainer 40
19	213459-4	1	O Ring 32
20	411466-3	1	Baffle Plate
21	312981-9	1	Elbow
22	213460-9	1	O Ring 35
23	911239-9	1	Pan Head Screw M5x22 (With Washer)
24	411479-4	1	Cushion
25	251953-8	1	Screw M10x70
26	941252-3	1	Flat Washer 10
27	931501-6	1	Hex Nut M10
28	664213-3	1	Cord With Plug 2P-16-2.5
29	682505-8	1	Cord Guard 10-90
30	687001-1	1	Strain Relief
31	911131-9	2	Pan Head Screw M4x18 (With Washer)
32	411467-1	1	Clamp Cover
33	911128-8	2	Pan Head Screw M4x16 (With Washer)
34	953106-2	4	Rivet 0-5
35	654020-2	2	Garter Spring
36	163100-8	1	Shaft Lock
37	411468-9	1	Clamp Base
38	911121-2	2	Pan Head Screw M4x14 (With Washer)
39	911136-9	2	Pan Head Screw M4x20 (With Washer)
40	155227-8	1	Blade Case
41	411560-1	2	Guide Button
42	321295-5	1	Supporter
43	251637-8	1	Hex Flange Head Bolt M8x20
44	224118-5	1	Outer Flange 55
45	155241-4	1	Safety Cover (With Item 42)
46	224119-3	1	Inner Flange 55
47	251276-4	1	Counter Sunk Head Screw M6x52
48	942151-2	1	Spring Washer 6
49	941152-7	1	Flat Washer 6
50	931303-0	1	Hex Nut M6
51	312977-0	1	Gear Housing (Includes Item 19)
52	911298-3	4	Pan Head Screw M5x75 (With Washer)
53	254203-0	1	Key 4
54	912231-8	4	Counter Sunk Head Screw M5x20 (With Washer)
55	285644-9	1	Bearing Retainer 71
56	325564-6	1	Spindle
57	253328-7	1	Thin Washer 17
58	211256-2	1	Ball Bearing 6203LLB
59	312982-7	1	Bearing Box
60	*	1	Helical Gear
61	961057-5	1	Retaining Ring S-17
62	212101-4	1	Needle Bearing 1210
88	411477-8	1	Stopper (For Safety Lock-Off Button)
89	231531-0	1	Torsion Spring
90	257022-3	1	Ring Adaptor (Use with 25mm Arbor Hole Makita Blade)
96	259015-6	1	Stop Ring
97	259015-6	1	Stop Ring
98	411478-6	1	Safety Lock-Off Button
99	643653-8	2	Brush Holder
100	913201-0	2	Set Screw M5x6

Item No.	Part No.	No. Used	Description
1	925288-0	2	Hex Bolt M5x65 (With Lock Washer)
2	211106-1	1	Ball Bearing 6201LLB
3	241048-5	1	Fan 92
4	*	1	Armature Assembly (Includes Items 3, 5 & 6)
5	681623-9	1	Insulation Washer (Old 681607-7)
6	211068-3	1	Ball Bearing 6200LB
7	263002-9	1	Rubber Pin 4
8	524776-0	1	Field Assembly (With Items 13 & 35) (Old 624511-7)
9	911158-9	3	Pan Head Screw M4x30 (With Washer)



Item No.	Part No.	No. Used	Description
----------	----------	----------	-------------

63	921541-2	4	Hex Bolt M10x25 (With Washer)
64	312979-6	1	Guide Rule
65	341396-3	1	Shim
66	341396-3	1	Shim
67	311459-9	1	Turn Table
68	252044-8	1	Hex Lock Nut M16-24
69	253771-0	1	Flat Washer 16
70	251267-5	1	Pan Head Screw M6
71	253309-1	1	Thin Washer 8
72	341511-9	1	Stopper
73	231530-2	1	Torsion Spring 32
74	154263-1	1	Arm
75	253771-0	1	Flat Washer 16
76	251698-8	1	Hex Bolt M16
77	251954-6	1	Set Screw M10
78	911108-4	2	Pan Head Screw M4x8 (With Washer)
79	816007-4	1	Indication Plate
80	341444-8	1	Plate
81	154262-3	1	Base (Includes Items 92 & 93)
82	273436-8	1	Grip 37
83	216003-6	1	Steel Ball 10

Item No.	Part No.	No. Used	Description
----------	----------	----------	-------------

84	231265-5	1	Compression Spring 8
85	251964-3	1	Hex Socket Head Screw M12x18
86	921666-2	1	Hex Bolt M12x45
87	942301-9	1	Spring Washer 12
91	253948-7	1	Wave Washer 8
92	816407-8	1	Scale Plate
93	953106-2	3	Rivet 0-5
94	941301-6	1	Flat Washer 12 (Added, to ensure Blade cuts at a perfect 90°)
95	410602-8	1	Fastener
200	652014-1	6	(+)Pan Head Screw M4x8
201	652255-9	6	Clamp Washer
202	654038-3	6	Insulated Eye Terminal FV1.25-M4
203	654510-5	1	Closed End Terminal 5.5-SD

Accessories

400	782212-4	1	Socket Wrench 13
402	781203-2	1	Open End Wrench
403	----	1	Saw Blade (See Catalogue for Details)
404	122321-1	1	Dust Bag Assembly (With Item 95)

