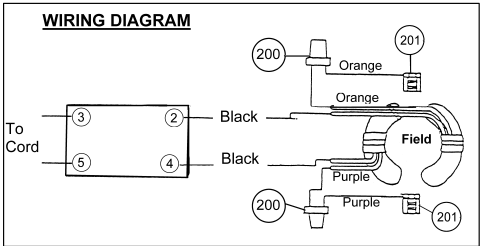
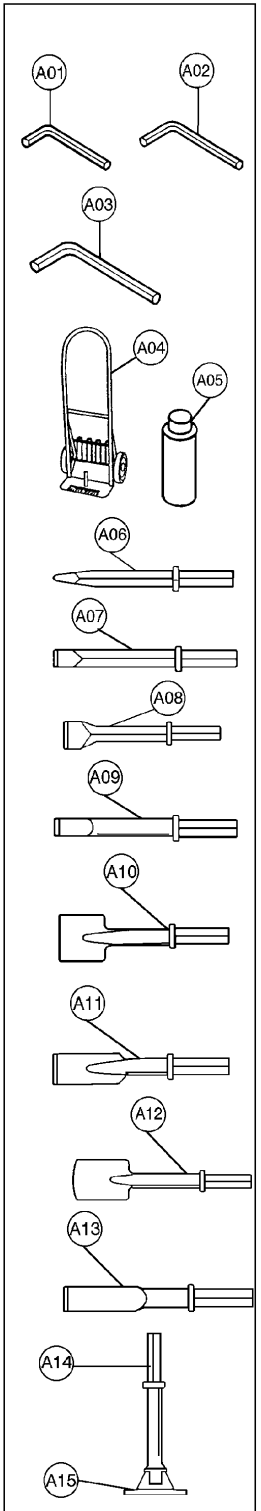
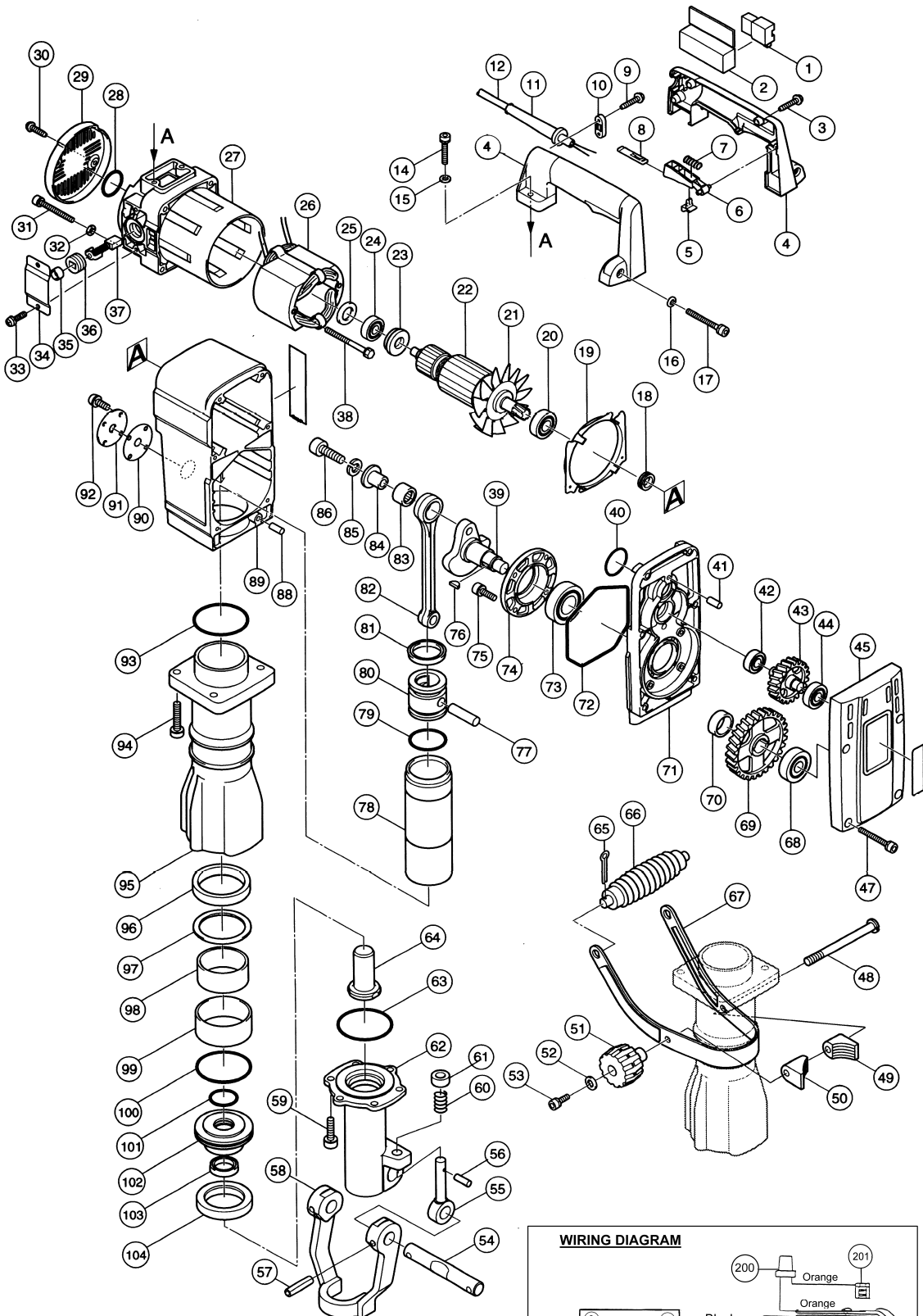


DEMOLITION HAMMER

(1-1/8" Hex Shank)

Model HM1303B



Item No.	Part No.	No. Used	Description	Item No.	Part No.	No. Used	Description
1	651922-3	1	Switch	64	322873-4	1	Impact Bolt
2	421529-7	1	Switch Box	65	952257-8	2	Split Pin 3.0-20
3	265995-6	3	Tapping Screw 4x18	66	273492-8	1	Grip 38
4	182844-1	1	Handle Set	67	344390-4	1	Side Handle
5	415805-9	1	Lock Button	68	211214-8	1	Ball Bearing 6302
6	415120-1	1	Switch Lever	69	226450-3	1	Helical Gear 57
7	231457-6	1	Compression Spring 3	70	257196-0	1	Ring 25
8	415806-7	1	Lock Plate	71	159806-4	1	Gear Housing Com. (Includes Item 40)
9	265995-6	2	Tapping Screw 4x18	72	421731-2	1	Seal Ring (Old 213908-1 - O Ring 112)
10	687063-9	1	Strain Relief	73	211373-8	1	Ball Bearing 6205LLU
11	682505-8	1	Cord Guard 10-90	74	316730-6	1	Bearing Box
12	664276-9	1	Cord With Plug 2P-16-5.0M	75	265366-7	4	Hex Socket Head Bolt M6x22
14	922361-7	2	Hex Socket Head Bolt M6x40	76	254001-2	2	Woodruff Key 4
15	941152-7	2	Flat Washer 6	77	256238-7	1	Pin 12
16	941152-7	2	Flat Washer 6	78	322919-6	1	Hammer
17	922376-4	2	Hex Socket Head Bolt M6x55	79	213519-2	1	O Ring 36
18	331212-7	1	Seal	80	322871-8	1	Piston
19	344273-8	1	Baffle Plate	81	213520-7	1	Y Ring 36
20	211228-7	1	Ball Bearing 6202DDW	82	322812-4	1	Connecting Rod
21	241128-7	1	Fan 92	83	212260-4	1	Needle Bearing 1716
22	516701-5	1	Armature Assy (Includes Items 20, 21, 23 & 24)	84	321825-2	1	Crank Sleeve
23	681635-2	1	Insulation Washer	85	942251-8	1	Spring Washer 10
24	211087-9	1	Ball Bearing 6200DDW	86	922557-0	1	Hex Socket Head Bolt M10x35
25	253794-8	1	Flat Washer 18	88	256111-1	1	Pin 6
26	626041-4	1	Field	89	159971-9	1	Crank Housing Com.
27	159904-4	1	Motor Housing Com. (Includes 2X414665-6 – Set Ring, 2X 643711-0 (Old 643931-6) – Brush Holder & Item 28)	90	442009-0	1	Packing 50
28	213406-5	1	O Ring 30	91	341397-1	1	Plate 50
29	284069-4	1	Rear Cover	92	911211-1	4	P.H. Screw M5x12
30	266021-4	2	Tapping Screw PT .5x20	93	213707-1	1	O Ring 65
31	922376-4	4	Hex Socket Head Bolt M6x55	94	265367-5	4	Hex Socket Head Bolt M8x40
32	941151-9	4	Flat Washer 6	95	316831-0	1	Barrel
33	911221-8	4	P.H. Screw M5x16	96	262068-6	1	Urethane Ring 59
34	344384-9	2	Holder Cap Plate	97	267146-7	1	Flat Washer 58
35	262049-0	2	Rubber Ring 6	98	322815-8	1	Idler
36	643700-5	2	Brush Holder Cap 7-18	99	262536-9	1	Rubber Sleeve 64
37	191957-7	2	Auto Cut-Off Carbon Brush CB-204(2pcs/Set) (+) Hex Bolt M5x65	100	213707-1	1	O Ring 65
38	265428-1	2	(+) Hex Bolt M5x65	101	213390-4	1	O Ring 25
39	322894-6	1	Crankshaft	102	322872-6	1	Seal Holder
40	213460-9	1	O Ring 35	103	213383-1	1	X Ring 25
41	256111-1	1	Pin 6	104	262072-5	1	Urethane Ring 49
42	211104-5	1	Ball Bearing 6001	200	654510-5	2	Insulator Connector 5.5-SD
43	226449-8	1	Helical Gear 34	201	654098-5	2	Receptacle
44	211109-5	1	Ball Bearing 6201	Accessories			
45	316732-2	1	Gear Housing Cover	A01	783203-8	1	Hex Wrench 5
47	922371-4	4	Hex Socket Head Bolt M6x50	A02	783204-6	1	Hex Wrench 6
48	266140-6	1	Set Bolt M10x113	A03	783207-0	1	Hex Wrench 10
49	416228-4	1	Handle Base	A04	122010-A	1	Hammer Cart
50	416228-4	1	Handle Base	A05	A-90582	1	Hammer Grease 30cc (Old 181490-7)
51	252633-9	1	Wing Nut M10	A06	751420-A	1	20-1/2" Moil Point
52	253194-2	1	Flat Washer 5	A07	751220-A	1	20-1/2" Narrow Chisel
53	922221-3	1	Hex Socket Head Bolt M5x16	A08	751221-A	1	3" Chisel
54	322550-8	1	Tool Retainer Shaft	A09	751222-A	1	20-1/2" Keencut Chisel
55	322477-2	2	Tool Retainer Pole	A10	751620-A	1	5" Asphalt Cutter
56	256219-1	2	Pin 4	A11	751621-A	1	3" Digging Chisel
57	951272-9	2	Spring Pin 8-40	A12	751622-A	1	5-1/2" Clay Spade
58	322478-0	1	Tool Retainer	A13	751223-A	1	24-1/2" Frost Wedge
59	266010-9	6	Hex Socket Head Bolt M8x30	A14	751103-A	1	15-1/2" Tamper Shank
60	233083-7	2	Compression Spring 12				
61	322560-5	2	Retainer Ring	A15	751710-A	1	6" Tamper Plate
62	322901-5	1	Tool Holder		751711-A	1	8" Tamper Plate
63	213707-1	1	O Ring 65				