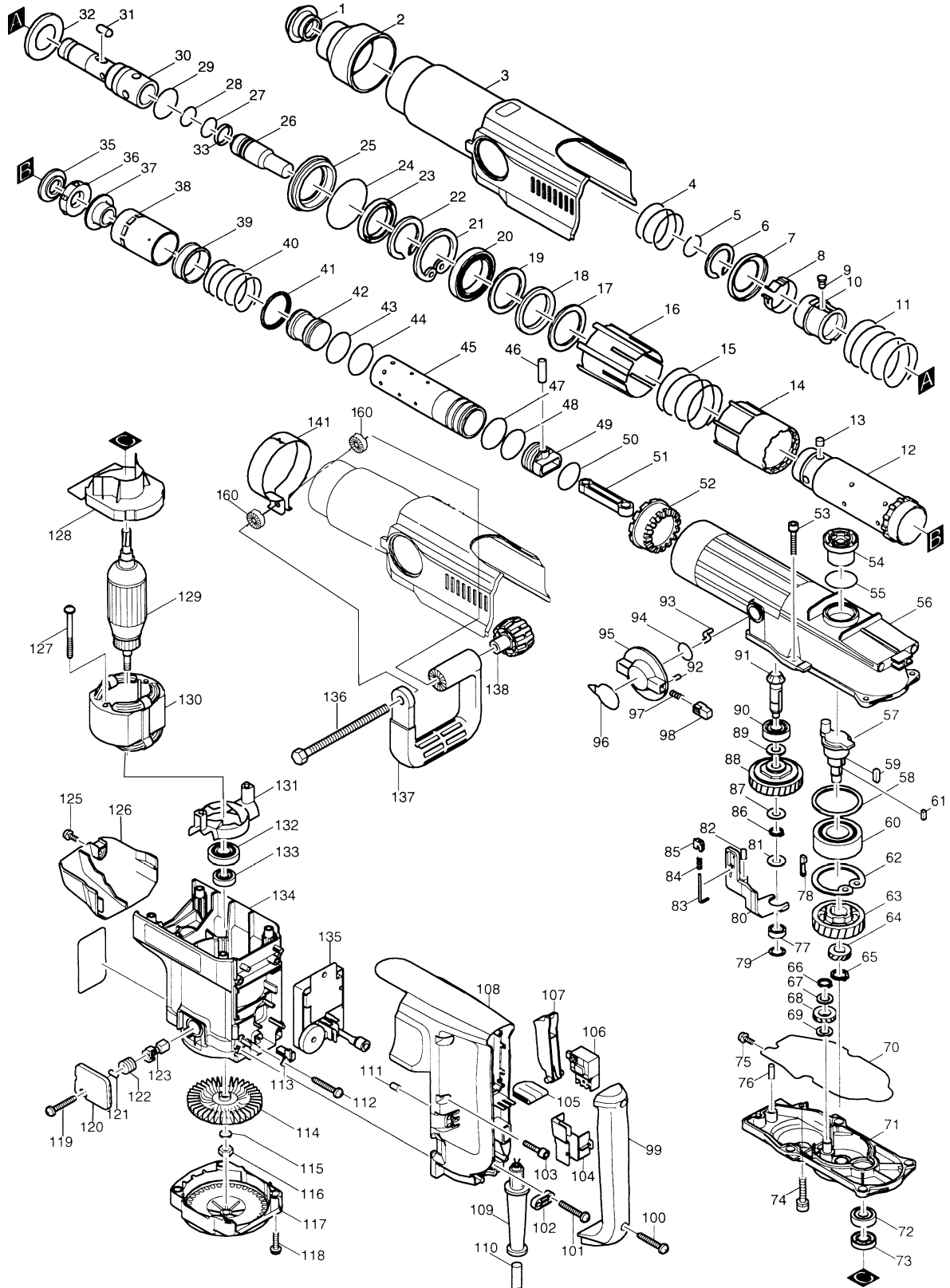
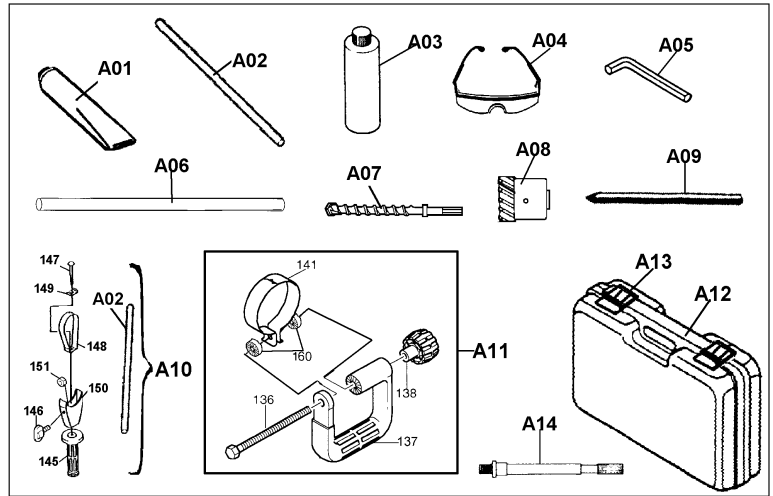
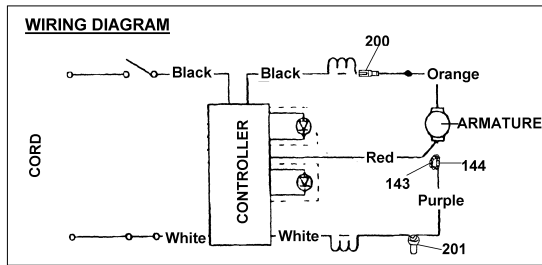


# 2" ROTARY HAMMER - SDS-MAX

## Model HR5001C (MJ)



Item No.	Part No.	No. Used	Description	Item No.	Part No.	No. Used	Description
1	286250-3	1	Tool Holder Cap	68	150835-0	1	Helical Gear (Includes 212123-4 - Needle Bearing 1210)
2	416568-0	1	Chuck Cover	69	253744-3	1	Flat Washer 12
3	150836-8	1	Crank Housing Cover Com.	70	421622-7	1	Seal Ring
4	233217-2	1	Compression Spring 51	71	150832-6	1	Gear Housing Com. (Includes 256264-6 - Pin 12)
5	231984-3	1	Ring Spring 25	72	211129-9	1	Ball Bearing 6201DDW
6	961232-3	1	Retaining Ring WR-45	73	213160-1	1	Oil Seal 14
7	267735-8	1	Cup Washer 45	74	922351-0	2	Hex Socket Head Bolt M6X30
8	232180-6	1	Leaf Spring 41	75	911223-4	1	P.H. Screw M5X16
9	323767-6	1	Pin 8	76	256286-6	1	Pin 7
10	323773-1	1	Chuck Ring	77	210024-0	1	Ball Bearing 608 2RS
11	233218-0	1	Compression Spring 55	78	322951-0	2	Change Key
12	323772-3	1	Tool Holder B	79	253314-8	1	Thin Washer 15
13	256265-4	4	Pin 10	80	416571-1	1	Change Link
14	416572-9	1	Lock Sleeve A	81	253810-6	1	Flat Washer 12
15	233216-4	1	Compression Spring 58	82	256263-8	1	Pin 5
16	416573-7	1	Lock Sleeve B	83	322963-3	1	Guide Pin 2
17	267180-7	1	Flat Washer 50	84	233180-9	1	Compression Spring 3
18	262543-2	1	Urethane Sleeve 50	85	416289-4	1	Slide Plate
19	267180-7	1	Flat Washer 50	86	961052-5	1	Retaining Ring S-12
20	211751-2	1	Ball Bearing 6910	87	267113-2	1	Flat Washer 12
21	962351-8	1	Retaining Ring R-72	88	150986-9	1	Torque Limiter Com.
22	961234-9	1	Retaining Ring WR-50	89	267113-2	1	Flat Washer 12
23	213618-0	1	Oil Seal 48	90	211109-5	1	Ball Bearing 6201
24	213715-2	1	O Ring 67	91	226760-8	1	Spiral Bevel Gear 12
25	416565-6	1	Seal Case	92	256122-6	1	Pin 4
26	323768-4	1	Impact Bolt	93	323973-3	1	Crank Pin 4
27	213394-6	1	O Ring 23	94	213304-3	1	O Ring 20
28	213394-6	1	O Ring 23	95	416287-8	1	Change Lever
29	213522-3	1	O Ring 36	96	816329-2	1	Indication Label
30	323771-5	1	Tool Holder A	97	233188-3	1	Compression Spring 2.4
31	322908-1	2	Roller 8	98	<b>417340-3</b>	1	Lock Button
32	267734-0	1	Cup Washer 37	99	*	1	Handle Cover
33	213431-6	1	Flouride Ring 28	100	265995-6	2	Tapping Screw 4X18
35	323817-7	1	Ring 22	101	265995-6	2	Tapping Screw 4X18
36	421623-5	1	Rubber Ring 24	102	687052-4	1	Strain Relief
37	331530-3	1	Collar Sleeve 22	103	922353-6	6	Hex Socket Head Bolt M6X30
38	416566-4	1	Slide Sleeve	104	416126-2	1	Lead Guide
39	331531-1	1	Ring 45	105	421583-1	1	Sponge Sheet
40	233215-6	1	Compression Spring 45	106	651922-3	1	Switch
41	267736-6	1	Washer 45	107	416284-4	1	Switch Lever
42	323769-2	1	Striker	108	*	1	Handle
43	213482-9	1	O Ring 34	109	*	1	Cord Guard 10-90
44	231985-1	1	Ring Spring 43	110	664471-1	1	Cord With Plug 2P-14-5.0M
45	331534-5	1	Cylinder 40	111	416285-2	2	Acrylic Pin 5
46	256295-5	1	Pin 10	112	265995-6	1	Tapping Screw 4X18
47	213510-0	3	O Ring 36	113	416562-2	1	Fix Rod
48	213482-9	1	O Ring 34	114	240016-5	1	Fan 90
49	416563-0	1	Piston	115	253165-9	1	Flat Washer 8
50	213460-9	1	O Ring 35	116	931402-8	1	Hex Nut M8
51	416564-8	1	Rod	117	416570-3	1	Rear Cover
52	226761-6	1	Spiral Bevel Gear 41	118	266021-4	4	Tapping Screw PT.5X20
53	922361-7	4	Hex Socket Head Bolt M6X40	119	265995-6	2	Tapping Screw 4X18
54	416561-4	1	Crank Cap	120	416292-5	2	Brush Holder Cover
55	213510-0	1	O Ring 36	121	263002-9	2	Rubber Pin 4
56	150831-8	1	Crank Housing Com.	122	643650-4	2	Brush Holder Cap 6.5-13.5
57	323774-9	1	Crank Shaft	123	181048-2	2	Auto Cut-Off Carbon Brush CB-155
58	267181-5	1	Flat Washer 56	125	911223-4	1	P.H. Screw M5X16
59	254229-2	2	Key 5	126	416575-3	1	Gear Housing Cover
60	211470-0	1	Ball Bearing 62/32 2RS	127	266095-5	2	Tapping Screw Flange 5X55
61	254202-2	2	Key 4	128	416569-8	1	Baffle Plate
62	962303-9	1	Retaining Ring R-65	129	516776-4	1	Armature Assy (Includes Items 132 & 133)
63	226493-5	1	Helical Gear 50	130	626076-5	1	Field
64	226490-1	1	Helical Gear 20A	131	416567-2	1	Dust Guide
65	961054-1	1	Retaining Ring S-14				
66	961052-5	1	Retaining Ring S-12				
67	253744-3	1	Flat Washer 12				

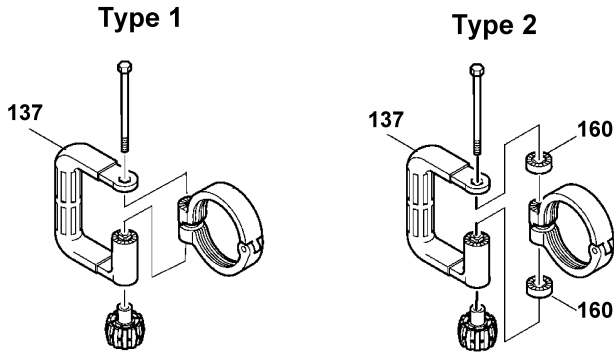


Item No .	Part No.	No. Used	Description	Item No.	Part No.	No. Used	Description
132	681642-5	1	Insulation Washer	201	654510-5	2	Insulated Connector 5.5 SD
133	211088-7	1	Ball Bearing 6000DDW	<b>Accessories</b>			
134	150833-4	1	Motor Housing Com. (Includes 632687-6 - Lead Unit, 643653-8 - Brush Holder 6.5-13.5, 643661-9 - Brush Holder & 2X819084-5 - Makita Label)	A01	181573-3	1	Bit Grease
135	631274-8	1	Controller	A02	321248-4	1	Depth Gauge
136	265439-6	1	Hex Bolt M8X150	A03	181490-7	1	Hammer Grease (30g)
137	*	1	Side Handle	A04	191686-A	1	Makita Safety Glasses
138	252640-2	1	Wing Nut M8	A05	783207-0	1	Hex Wrench 10
141	151549-4	1	Side Handle 87 Com.	A06	-----	1	Rod
143	654020-2	2	Garter Spring	A07	-----	1	SDS Max Drill Bit
144	654502-4	2	Connector P-2	A08	-----	1	Core Bit (See Catalogue for Details)
145	152554-4	1	Grip 36 Com.	A09	-----	1	Center Bit (See Catalogue for Details)
146	265701-9	1	Screw M6X14	A10	134881-1	1	Side Grip 36 Assy (Includes Items 145-151 & A02)
147	266163-4	1	Cup Square Neck Bolt M8X80	A11	*	1	Side Handle Assy (Includes Items 136-138 & 141)
148	344635-0	1	Grip Spring 87	A12	824519-3	1	Plastic Carrying Case (Includes Item A13)
149	344492-6	1	Plate	A13	416401-6	2	Latch
150	416580-0	1	Side Grip Base 87	A14	<b>798138-0</b>	1	Core Bit Adaptor
151	931302-2	1	Hex Nut M6				
160	*	2	Side Handle Cam.				
200	654079-9	2	Insulated Receptacle DF1.25				

\* SEE SERVICE CHANGES

**SERVICE CHANGES**

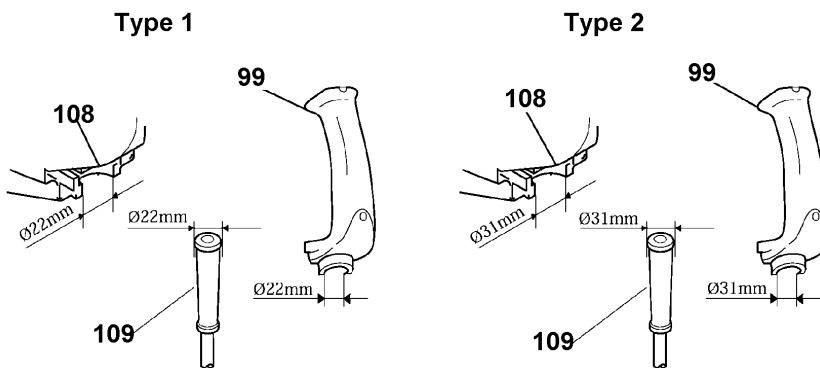
**1. Change on Side Handle and Side Handle Cam.**



Item No.	Description	Type 1	Type 2
137	Side Handle	416009-6	<b>417003-1</b>
160	Side Handle Cam	-----	<b>417002-3 (2pcs)</b>
A11	Side Handle Assy	134882-9	<b>134945-1</b>
	Serial #	~ 48243E	48244E ~

Above parts are Com.ly interchangeable as a set.

**2. Change on Handle Com., Handle Cover and Cord Guard.**



Item No.	Description	Type 1	Type 2
99	Handle Cover	416577-9	<b>417167-1</b>
108	Handle Com.	416576-1	<b>417166-3</b>
109	Cord Guard	682505-8 (Ø 22mm)	<b>682560-0 (Ø31mm)</b>
	Serial No.	~ 32169E	32170E ~

Above parts are Com.ly interchangeable as a set.