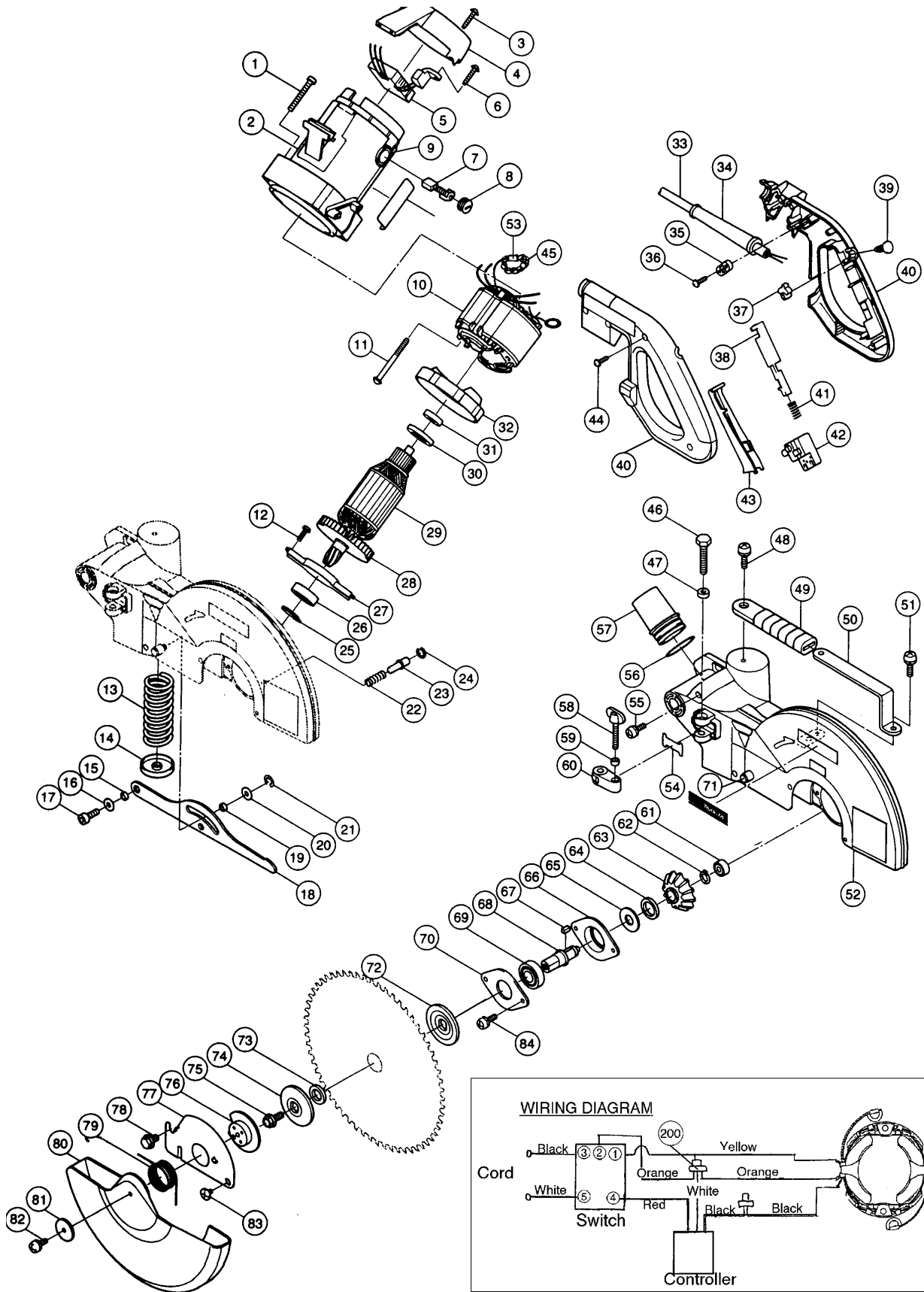
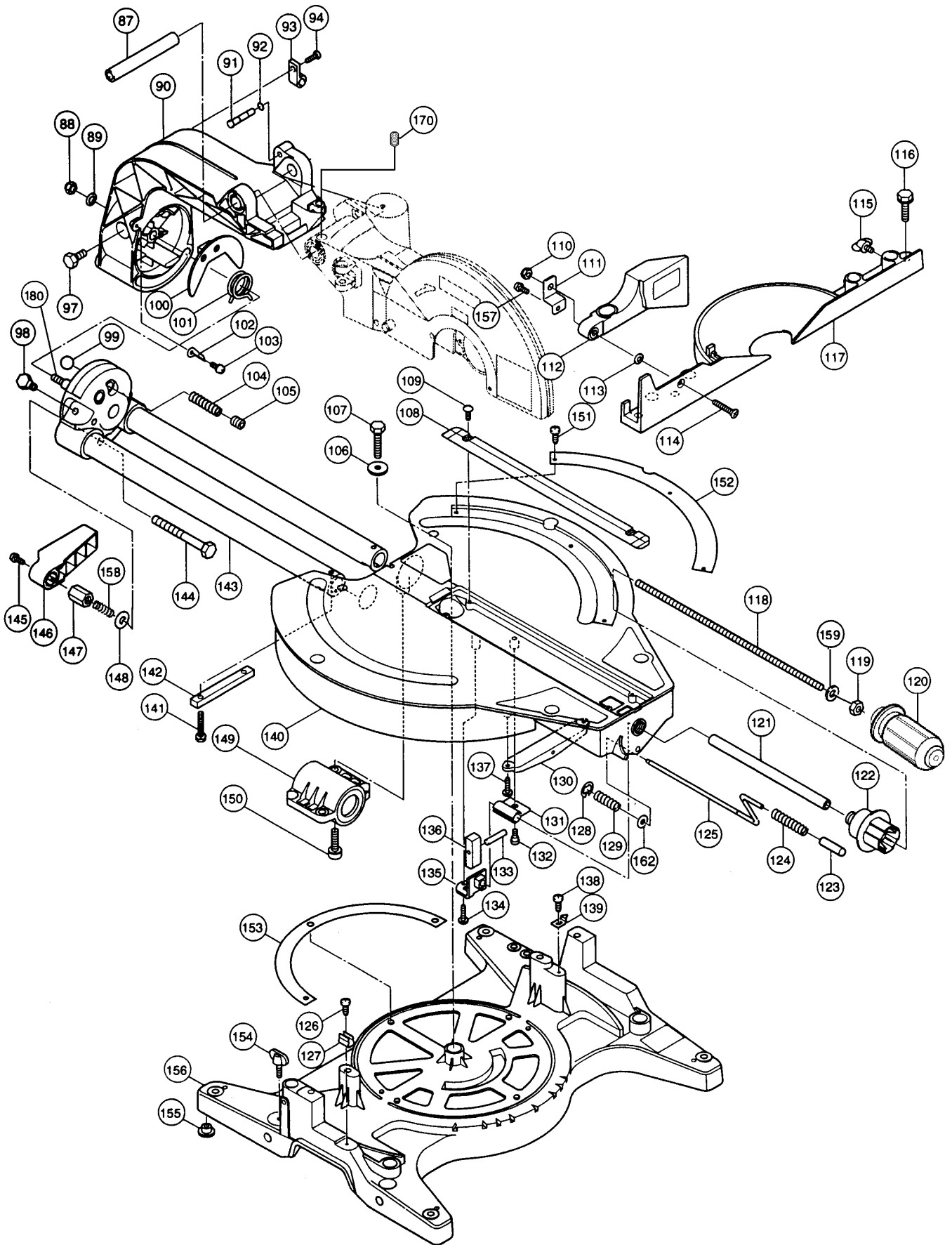




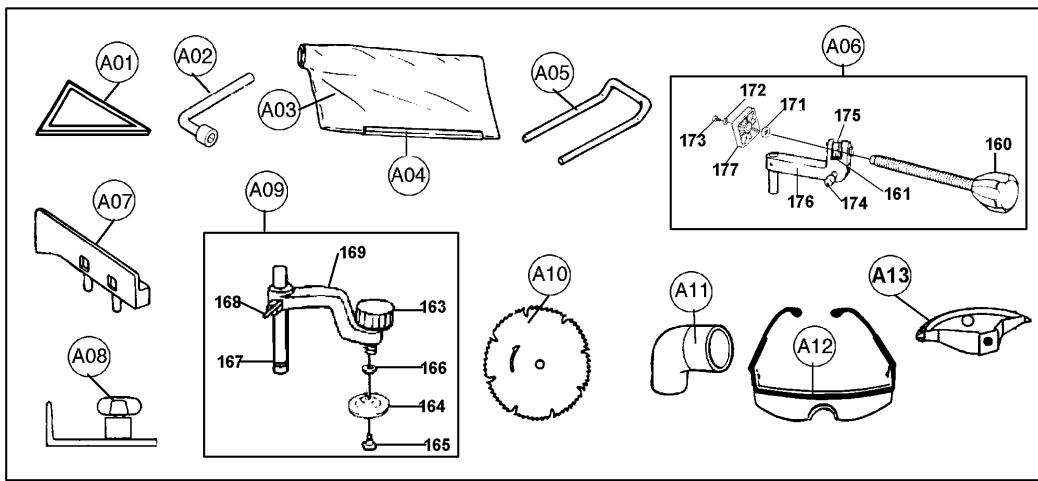
10" SLIDE COMPOUND SAW With Electric Brake

Model LS1013(MCA)





Item No.	Part No.	No. Used	Description	Item No.	Part No.	No. Used	Description
1	911373-5	4	P. H. Screw M6x50	60	316471-4	1	Stopper Arm (Yellow/Grey)(Type 1) (No Longer Available)
2	159963-8	1	Motor Housing Com. (Includes Item 9)		317176-9	1	Stopper Arm (Silver) (Type 2)
3	265995-6	2	Tapping Screw 4x18	61	211021-9	1	Ball Bearing 607LLB
4	416075-3	1	Rear Cover	62	961054-1	1	Retaining Ring S-14
5	631218-8	1	Controller	63	226742-0	1	Spiral Bevel Gear 33
6	265995-6	1	Tapping Screw 4x18	64	262074-1	1	Rubber Ring 20
7	181047-4	2	Carbon Brush CB-154 (2pcs/Set)	65	267035-6	1	Flat Washer 14
8	643650-4	2	Brush Holder Cap 6.5-13.5	66	316836-0	1	Bearing Box (A)
9	643660-1	2	Brush Holder 6.5-13.5	67	254202-2	1	Key 4
10	596141-3	1	Field Assy (Includes Items 45 & 53)	68	322899-6	1	Spindle
11	266029-8	2	Tapping Screw Flange PT 5x65	69	211275-8	1	Ball Bearing 6003DDW
12	911223-4	2	P. H. Screw M5x16	70	285828-9	1	Bearing Retainer 66
13	233165-5	1	Compression Spring 28	71	322316-6	1	Ring Shaft
14	344464-1	1	Spring Holder	72	224333-1	1	Flange 53
15	257163-5	1	Ring 6	73	257060-5	1	Ring 15.8
16	253804-1	1	Flat Washer 6	74	224333-1	1	Flange 53
17	922331-6	1	Hex Socket Head Bolt M6x20	75	265355-2	1	Hex Flange Head Bolt M8x20
18	344415-4	1	Link Plate	76	343639-9	1	Center Plate
19	257163-5	1	Ring 6	77	344380-7	1	Center Cover
20	253804-1	1	Flat Washer 6	78	265324-3	1	Hex Flange Head Bolt M8x12
21	961018-5	1	Stop Ring E-5	79	231593-8	1	Torsion Spring 36
22	231240-1	1	Compression Spring 7	80	416105-0	1	Safety Cover
23	256633-1	1	Pin 6	81	267136-0	1	Flat Washer 5
24	231928-3	1	Ring Spring 8	82	911213-7	1	P. H. Screw M5x12
25	961057-5	1	Retaining Ring S-17	83	**	1	Hex Socket Head Bolt M6/ (+) Flat Head Screw M5
26	211275-8	1	Ball Bearing 6003DDW	84	911223-4	2	P. H. Screw M5x16
27	285686-3	1	Bearing Retainer 94	85	265406-1	1	Hex Bolt M10x130 (Old) *
28	240001-8	1	Fan 80	86	253024-7	1	Flat Washer 10 (Old) *
29	516721-9	1	Armature Assy (Includes Items 28, 30 & 31)	87	331428-4	1	Pipe 16-113
30	681642-5	1	Insulation Washer	88	252105-4	1	Hex Lock Nut M8-13
31	211061-7	1	Ball Bearing 6000LLB	89	941201-0	1	Flat Washer 8
32	416107-6	1	Baffle Plate	90	316839-4	1	Arm (Yellow/Grey) (Type 1)
33	664463-0	1	Cord With Plug 2P-14-2.5M		317182-4	1	Arm (Silver) (Type 2)
34	682505-8	1	Cord Guard 10-90		**	1	Arm (Type 3)
35	687052-4	1	Strain Relief	91	322317-4	1	Stopper Pin
36	265995-6	2	Tapping Screw 4x18	92	213021-5	1	O Ring 5
37	414546-4	1	Cam	93	687042-7	1	Strain Relief
38	416000-4	1	Lock Off Lever	94	266026-4	1	Tapping Screw Bind CT 4x12
39	411478-6	1	Switch Button	95	252130-5	1	Hex Lock Nut M10-17 (Old) *
40	182911-2	1	Handle Set	96	253024-7	1	Flat Washer 10 (Old) *
41	231457-6	1	Compression Spring 3	97	265371-4	2	Hex Bolt M8x30
42	651923-1	1	Switch	98	265412-6	2	Hex Bolt M8x20
43	415999-0	1	Switch Lever	99	216003-6	2	Steel Ball 10
44	265995-6	6	Tapping Screw 4x18	100	345418-1	1	Guide Plate(Old 344414-6)
45	654020-2	2	Garter Spring	101	231626-9	1	Torsion Spring 28
46	921467-8	1	Hex Bolt M8x45	102	413067-3	2	Indication Plate
47	262003-4	1	Rubber Ring 6	103	911113-1	2	P. H. Screw M4x10
48	911323-0	1	P. H. Screw M6x16	104	233168-9	2	Compression Spring 5
49	421562-9	1	Grip	105	266131-7	2	Hex. Socket Head Bolt M12x12
50	344420-1	1	Grip Holder	106	253852-0	1	Flat Washer 8
51	911323-0	1	P. H. Screw M6x16	107	265442-7	1	Hex Bolt M8x40
52	* & **	1	Blade Case Com. (Includes 263005-3 - Rubber Pin 6)(Yellow Grey -> Silver)	108	415209-5	2	Kerf Board (Yellow/Grey) (Type 1 & 3)
53	654502-4	2	Solderless Connector P-2		416886-6	1	Kerf Board (Grey) (Type 2)
54	344045-1	1	Stopper Arm Plate	109	266026-4	4	Tapping Screw Bind CT 4x12
55	911113-1	1	P. H. Screw M4x10	110	252014-7	1	Hex Lock Nut M6-10
56	213460-9	1	O Ring 35				
57	416133-5	1	Dust Nozzle				
58	265717-4	1	Screw M6x43				
59	262001-8	1	Urethane Ring 5				



Item No.	Part No.	No. Used	Description	Item No.	Part No.	No. Used	Description
111	344463-3	1	Sub Fence Plate	143	**	1	Arm Holder Com.(Yellow Grey ->Silver)
112	150711-8	1	Sub Fence Com. (Yellow/Grey) (Type 1)(No Longer Available)				[Includes 816771-7 -Bevel Scale Label (30°)(Type 1), 816771A7 (31.6°) (Types 2 & 3)]
	151573-7	1	Sub Fence Com. (Silver) (Type 2)	144	251668-7	1	Hex Bolt M10x90
	**	1	Sub Fence (Type 3)	145	911113-1	1	P. H. Screw M4x10
113	253715-0	1	Flat Washer 6	146	416006-2	1	Lever 100
114	912357-6	1	Countersunk Head Screw M6x35	147	252144-4	1	Hex Nut M10-17
115	251887-5	1	Screw M6x10	148	253024-7	1	Flat Washer 10
116	921451-3	4	Hex Bolt M8x30	149	152540-5	1	Bearing Box Com. (Includes 211444-1 - Linear Ball Bearing 3064, 262048-2 x 2 - Felt Ring 30, 343676-3 x 2 - Cap & 316837-8 - Bearing Box (B))
117	316840-9	1	Guide Rule(Yellow/Grey)(Type 1) (No Longer Available)	150	922451-6	2	Hex Socket Head Bolt M8x30
	317183-2	1	Guide Rule (Silver) (Type 2)	151	266026-4	2	Tapping Screw Bind CT 4x12
	**	1	Guide Rule	152	816326A8	1	Miter Scale Plate (Added 31.6?) (Old 816326-8)
118	266132-5	1	Screw M8x320	153	344477-2	2	Slide Plate
119	931402-8	1	Hex Nut M8	154	251887-5	2	Screw M6x10
120	271314-6	1	Grip (Old 273444-9)	155	286212-1	4	Cap 20
121	331491-7	1	Pipe 9-200	156	150714-2	1	Base Com.(Yellow/Grey) (Type 1)
122	152541-3	1	Knob 48 Com.		152648-5	1	Base Com. (Type 2) Positive Stop 30?
123	421563-7	1	Cap 10		**	1	? 31.6 [Please change Bevel Scale Label on Arm Holder Com. - 151482-0 at the same time)
124	322924-3	1	Coil Spring				Base Com (Type 3)
125	322909-9	1	Lock Pin	157	911108-4	1	P. H. Screw M4x8
126	266034-5	1	Tapping Screw CT 4x16	158	231266-3	1	Compression Spring 5
127	232075-3	1	Leaf Spring	159	941201-0	2	Flat Washer
128	961018-5	1	Stop Ring E-5	160	271297-0	1	Knob 45
129	231307-5	1	Compression Spring 6	161	344099-8	1	Guard Plate
130	316899-6	1	Pin Holder	162	253804-1	1	Flat Washer 6
131	344411-2	1	Slide Stopper	163	271309-9	1	Knob 40
132	251267-5	1	(+) P. H. Screw M6	164	343651-9	1	Vise Plate
133	256196-7	1	Pin 5	165	251370-2	1	(+) P.H. Screw M5
134	266034-5	1	Tapping Screw CT 4x16	166	253804-1	1	Flat Washer 6
135	344412-0	1	Stopper Holder	167	322983-7	1	Vise Rod
136	331493-3	1	Turn Stopper	168	251887-5	1	Screw M6X10
137	266034-5	2	Tapping Screw CT 4x16	169	316898-8	1	Vise Arm
138	266026-4	1	Tapping Screw Bind CT 4x12	170	*	1	Hex Socket Head Bolt M6X10
139	816128-2	1	Pointer	171	253744-3	1	Flat Washer 12
140	**	1	Turn Base Com.(Yellow Grey --> Silver) (Includes 211444-1 - Linear Ball Bearing 3064, Type 1 219002-7 - Bearing 30, Types 2 & 3 211439-4 Linear Ball Bearing 3050, 262048-2 x 2 - Felt Ring 30, 263005-3 - Rubber Pin 6 & 343676-3 - Cap)	172	253047-5	1	Flat Washer 6
141	921356-7	2	Hex Bolt M6x35	173	911317-5	1	P.H. Screw M6X14
142	152542-1	1	Square Rod Com. (Includes 263005-3 - Rubber Pin 6)	174	286236-7	2	Cap 16
				175	322209-7	1	Vice Nut
				176	154431-6	1	Vice Arm Com (Special Order Item)

Item No.	Part No.	No. Used	Description	Item No.	Part No.	No. Used	Description
177	316952-8	1	Vice Plate (Special Order Item)	A07	194002-7	1	Sub Fence R Com. (Includes Screw M6x10 - 251887-5 x 2)
180	322912-0	1	Center Shaft				(Old 192648-3)
200	654510-5	2	Closed End Connector 5.5-SD	A08	192628-9	2	Crown Stopper
<u>Accessories</u>				A09	122538-6	1	Vertical Vice Assy (Includes Items 163-169)
A01	762001-3	1	Triangular Rule	A10	-----	1	10" C. T. Saw Blade (See Catalogue for Details)
A02	782212-4	1	Socket Wrench 13	A11	416368-8	1	Elbow
A03	122523-9	1	Dust Bag Assy (Includes Item A04)	A12	191686-A	1	Makita Safety Glasses
A04	410602-8	1	Fastener	A13	193051-1	1	Kerf Block Set (With (+) Screw M4X12 2X251314-2)
A05	322932-4	1	Holder 255				
A06	122470-4	1	Horizontal Vise Assy (Includes Items 160, 161 & 171 - 177)				

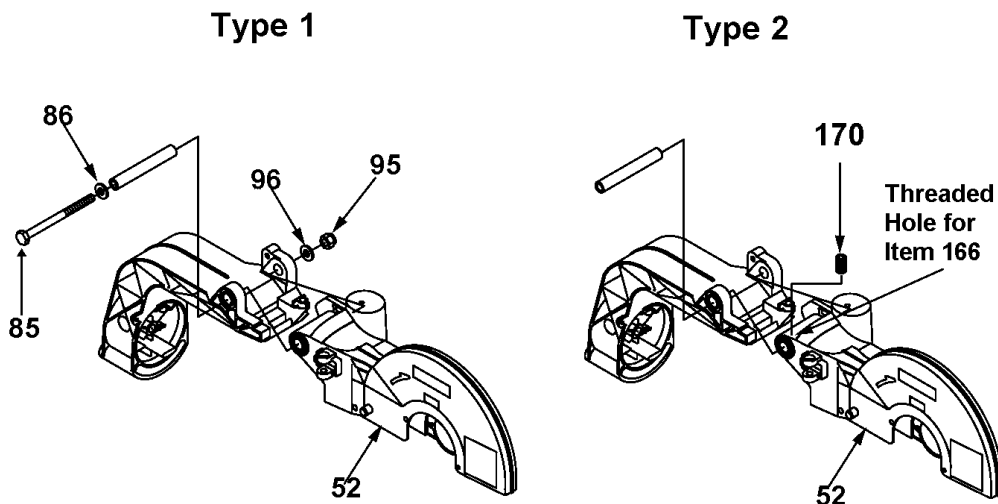
DUSTLESS SYSTEM

LS1030 + Vacuum Model 406 (Can be connected directly)

* See Service Change #1
 ** See Service Change #2

SERVICE CHANGE

1. Change on Blade Case Com.



Item No.	Description	Type 1	Type 2
52	Blade Case Com.	151485-4	153597-9
85	Hex Bolt M10 X 130	265406-1	-----
86	Flat Washer 10	253024-7	-----
95	Hex Lock Nut M10X17	252130-5	-----
96	Flat Washer 10	253024-7	-----
170	Hex Socket Head Bolt M6X10	-----	251961-9

Above parts are completely interchangeable as a set.

2. Change of Color and Hex. Socket Head Bolt

The color of die-casting parts has been changed. See shown below for the detail.

Hex. socket head bolt M6 has been changed as described below.

Die-casting parts	► Type 2	► Type 3
Blade Case Complete	Silver	Yellowish gray
Arm Complete		
Arm Holder Complete		
Turn Base Complete		
Base Complete		
Guide Rule		
Sub Fence Complete		

► Type 2	► Type 3
Hex. Socket Head Bolt M6 (265985-9)	+ Flat Head Screw M5 (265008-3)

Item No.	Type 2		Q'ty	I/C	Type 3	Q'ty
52	Blade Case Complete 153597-9		1	No	Blade Case Complete 153876-5	1
83	Hex. Socket Head Bolt M6 265985-9		1	No	+ Flat Head Screw M5 265008-3	1
90	Arm 317182-4		1	No	Arm 316839-4	1
112	Sub Fence Complete 151573-7		1	No	Sub Fence Complete 150711-8	1
117	Guide Rule 317183-2		1	No	Guide Rule 316840-9	1
140	Turn Base Complete 151483-8		1	No	Turn Base Complete 153832-5	1
143	Arm Holder Complete 151482-0		1	No	Arm Holder Complete 151459-5	1
156	Base Complete 152648-5		1	No	Base Complete 153837-5	1

New Blade case complete and + Flat head screw M5 are interchangeable as a set.