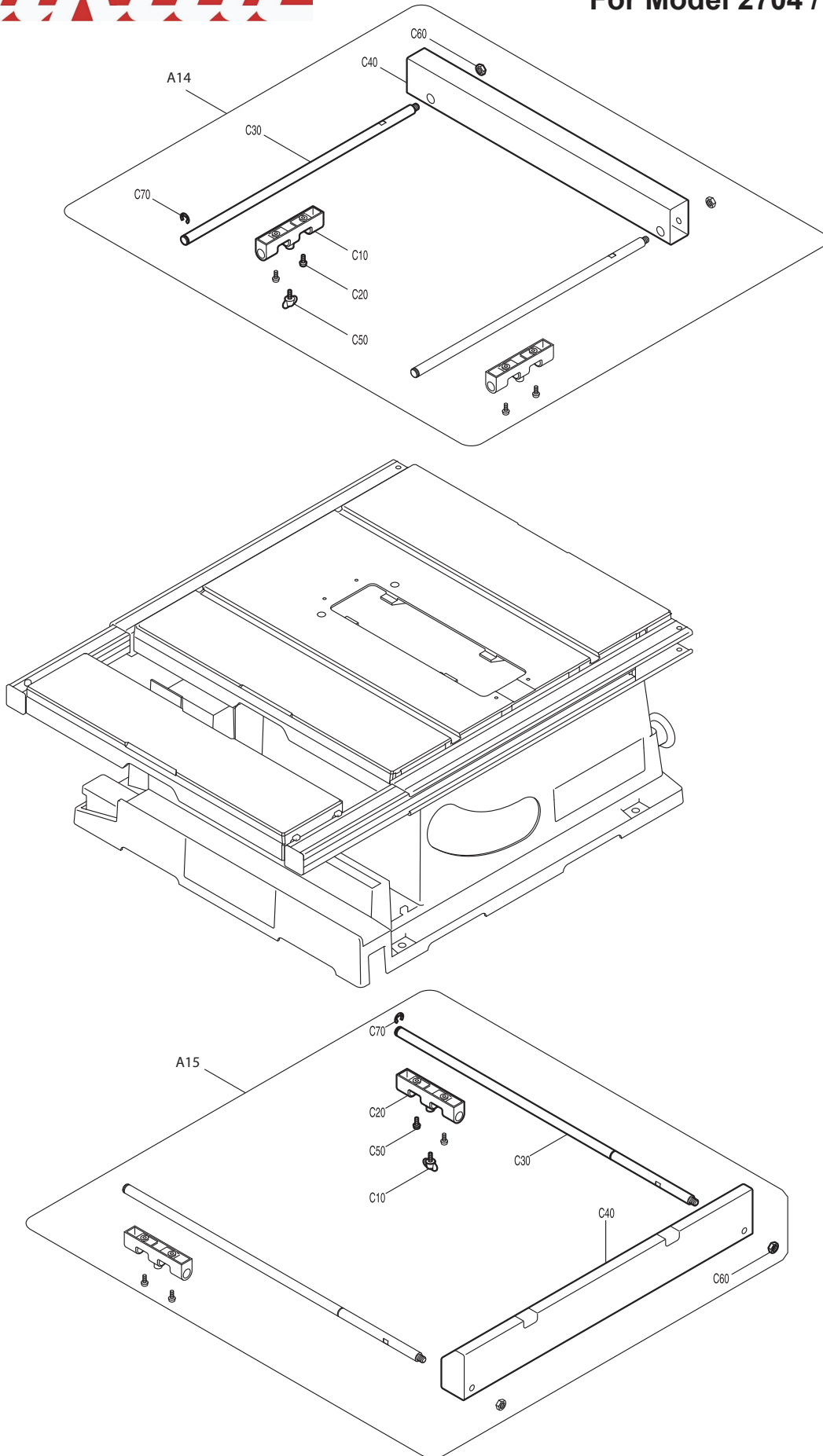




09 - 2008

TABLE SET (Part# 194086-5 & 194087-3)
For Model 2704 / 2704X1



Item No.	Part No.	Description	Q'ty	Unit
A14	194086-5	TABLE SET, LEFT	1	PC.
	C10 317879-5	SIDE ROD HOLDER	2	PC.
	C20 922221-3	HEX.SOCKET HED BOLT M5X16 (OLD# 911223-4)	4	PC.
	C30 324565-1	LEFT ROD	2	PC.
	C40 345538-1	LEFT TABLE	1	PC.
	C50 265740-9	SCREW M5X15	2	PC.
	C60 931502-4	HEX.NUT M10	2	PC.
	C70 961016-9	STOP RING E-10	2	PC.
	C80 783222-4	HEX.WRENCH 4	1	PC.
A15	194087-3	TABLE SET, REAR	1	PC.
	C10 265740-9	SCREW M5X15	2	PC.
	C20 317879-5	SLIDE ROD HOLDER	2	PC.
	C30 324564-3	REAR ROD	2	PC.
	C40 345537-3	REAR TABLE	1	PC.
	C50 922221-3	HEX.SOCKET HED BOLT M5X16 (OLD# 911223-4)	4	PC.
	C60 931502-4	HEX.NUT M10	2	PC.
	C70 961016-9	STOP RING E-10	2	PC.
	C80 783222-4	HEX.WRENCH 4	1	PC.