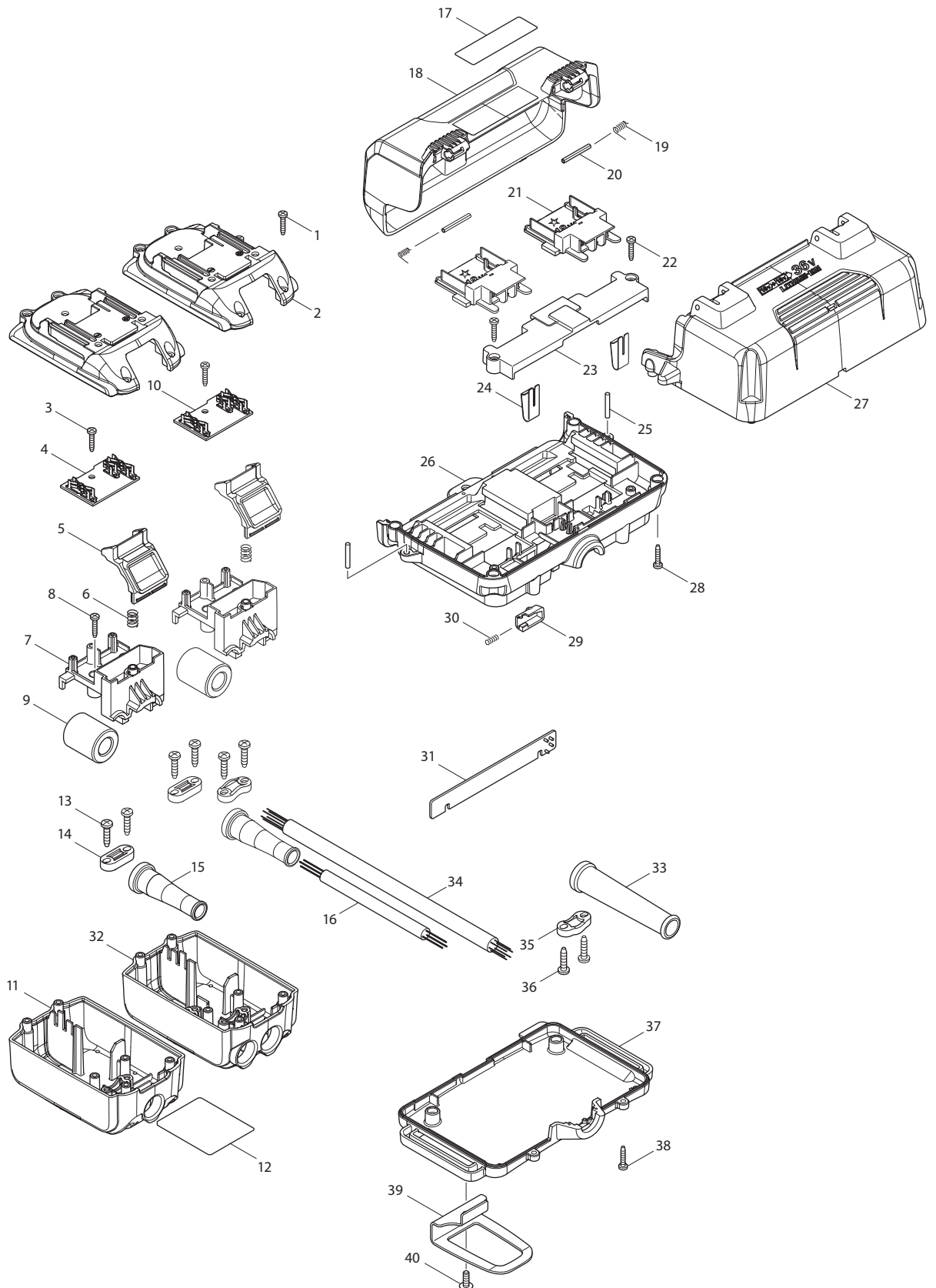




05 - 2016
197578-3 (BAP182)
BATTERY ADAPTER BAP182
F/18VX2 DIRECT LI-ION



Item No.	Type	Sub	Part No.	Description	Qty	Unit
001			266130-9	TAPPING SCREW BIND PT 3X16	8	PC.
002			456389-8	OUTER CASE A(UPPER)	2	PC.
003			266130-9	TAPPING SCREW BIND PT 3X16	2	PC.
004			620491-5	TERMINAL BOARD COMPLETE-B	1	PC.
005			455245-9	HOOK	2	PC.
006			233441-7	COMPRESSION SPRING 8	2	PC.
007			456392-9	INNER SUPPORT	2	PC.
008			266130-9	TAPPING SCREW BIND PT 3X16	4	PC.
009			688140-0	LINE FILTER	2	PC.
010			620490-7	TERMINAL BOARD COMPLETE-A	1	PC.
011			456387-2	OUTER CASE A (UNDER)	1	PC.
012			851L10-0	NAME PLATE F/BAP182	1	PC.
013			266326-2	TAPPING SCREW 4X18	4	PC.
014			687140-7	STRAIN RELIEF	2	PC.
015			682095-1	CORD GUARD	2	PC.
016			660331-5	POWER SUPPLY CORD	1	PC.
017			819285-5	MAKITA LOGO LABEL	1	PC.
018			187082-0	BATTERY COVER SET	1	PC.
		INC.	892538-7	CAUTION LABEL	1	PC.
		INC.		Item No. 17		
019			233584-5	TORSION SPRING 4	2	PC.
020			951075-1	SPRING PIN 3-28	2	PC.
021			643899-6	TERMINAL	2	PC.
022			266130-9	TAPPING SCREW BIND PT 3X16	2	PC.
023			452636-5	TERMINAL HOLDER	1	PC.
024			232267-4	LEAF SPRING	2	PC.
025			256158-5	PIN 3	2	PC.
026			143541-4	CENTER CASE COMPLETE	1	PC.
027			452635-7	UNDER COVER	1	PC.
028			266130-9	TAPPING SCREW BIND PT 3X16	4	PC.
029			452637-3	SLIDE LATCH	1	PC.
030			231293-0	COMPRESSION SPRING 3	1	PC.
031			620489-2	LED CIRCUIT	1	PC.
032			456390-3	OUTER CASE B (UNDER)	1	PC.
033			682575-7	CORD GUARD 12-90	2	PC.
034			660332-3	POWER SUPPLY CORD	1	PC.
035			687149-9	STRAIN RELIEF	2	PC.
036			266326-2	TAPPING SCREW 4X18	4	PC.
037			456386-4	TOP COVER	1	PC.
038			266130-9	TAPPING SCREW BIND PT 3X16	4	PC.
039			346401-1	HOOK	1	PC.
040			266622-8	+ TRUSS HEAD SCREW M4X12	1	PC.
ACCESSORIES				- Visit www.makita.ca for more accessories information -		
A01			----	18V LI-ION BATTERY	1	PC.