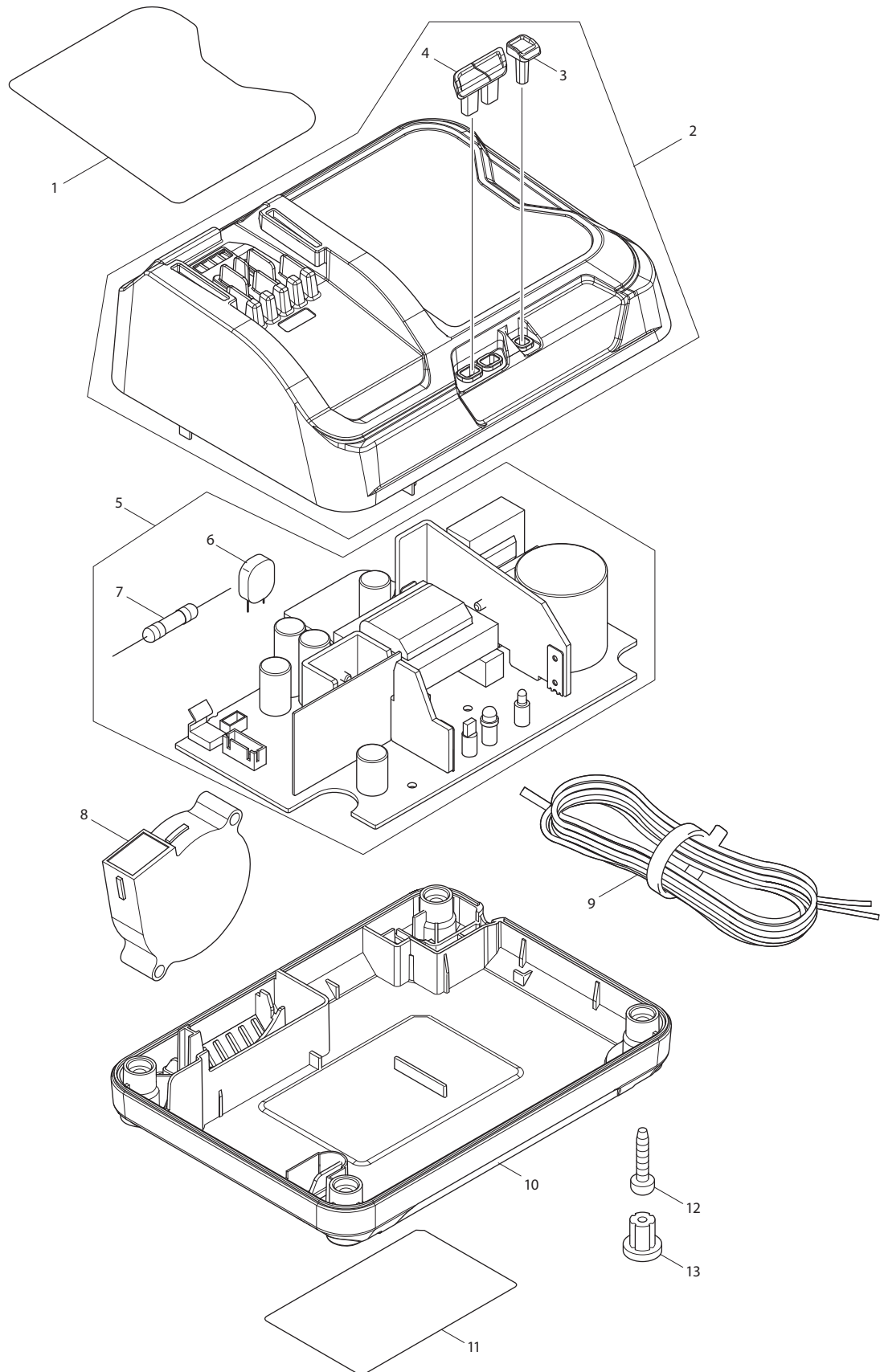




09 - 2015

DC10SB

# CHARGER F/LI-ION 12V SLIDE BATTERY



Item No.	Type Ref	Part No.	Description	Qty	Unit
001		807B60-3	CHARGING CONDITION LABEL	1	PC.
002		143280-6	CHARGER CASE COMPLETE	1	PC.
	INC.		Item No. 3,4		
003		456049-2	LENZ	1	PC.
004		455959-0	LENZ	1	PC.
005		620431-3	CHARGING CIRCUIT	1	PC.
	INC.		Item No. 6,7		
006		647069-9	VARISTOR	1	PC.
007		652804-2	FUSE	1	PC.
008		638499-5	SCIROCCO FAN	1	PC.
009		667982-5	CORD WITH PLUG 2P-18-2.0M	1	PC.
010		456048-4	CHARGER CASE COVER	1	PC.
012	2	265B01-9	TAPPING SCREW BT 4X20	4	PC.
013		286255-3	CAP 13	4	PC.
E01		807B61-1	CAUTION LABEL	1	PC.