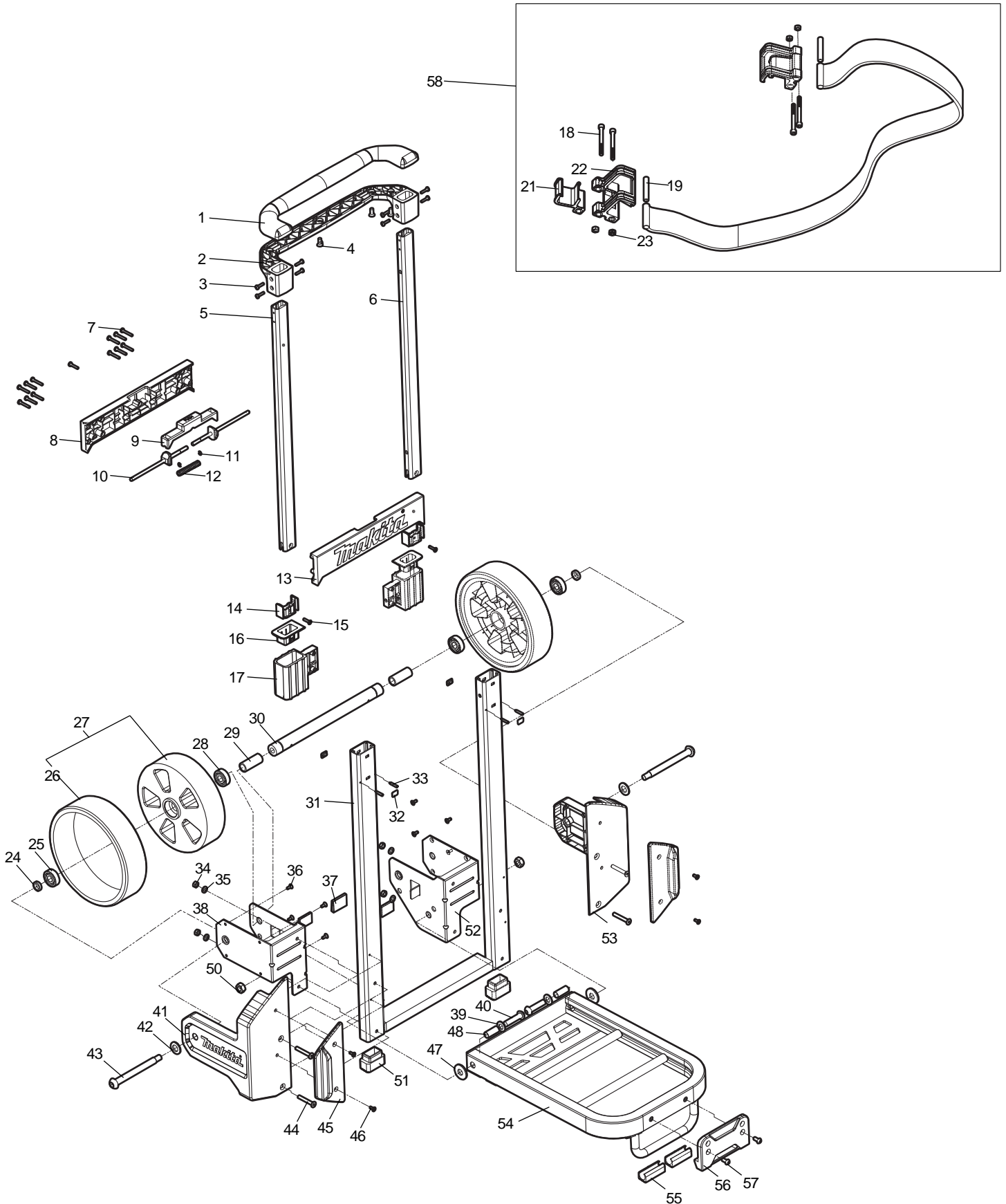




02 - 2016
TR0000002
TROLLEY F/INTERLOCK CASE



Item No.	Type	Sub	Part No.	Description	Qty	Unit
1			TR00000049	TOP HANDLE UPPER	1	PC.
2			TR00000047	TOP HANDLE LOWER	1	PC.
3			TR00000046	HEX SOCKET HEAD SCREW M4X10	8	PC.
4			TR00000048	SELF TAPPING SCREW ST 6.3X25	5	PC.
5			TR00000050	UPPER LIFTING ROD R	1	PC.
6			TR00000045	UPPER LIFTING ROD L	1	PC.
7			TR00000008	SELF TAPPING SCREW ST 4.2X25	13	PC.
8			TR00000007	LOWER HANDLE LEFT	1	PC.
9			TR00000005	PRESS BLOCK	1	PC.
10			TR00000006	LOCK ROD	2	PC.
11			TR00000003	CLAMP SPRING E TYPE	2	PC.
12			TR00000004	SPRING 2	1	PC.
13			TR00000040	LOWER HANDLE RIGHT	1	PC.
14			TR00000044	UPPER LIFTING ROD END CAP	2	PC.
15			TR00000043	HEX SOCKET HEAD SCREW M4X16	2	PC.
16			TR00000042	LOWER BUSHING	2	PC.
17			TR00000041	CONNECTING BLOCK	2	PC.
18			TR00000053	HEX SOCKET HEAD SCREW M6X60	4	PC.
19			TR00000056	PLASTIC TUBE	2	PC.
21			TR00000052	ELASTIC BAND CONNECTION	2	PC.
22			TR00000051	ELASTIC BAND CONNECTION	2	PC.
23			TR00000054	ANTI LOOSE NUT M6	4	PC.
24			TR00000018	SHORT SHAFT SLEEVE	2	PC.
25			TR00000017	BEARING 6201	4	PC.
27			TR00000015	WHEEL ASSEMBLY	2	PC.
28			TR00000017	BEARING 6201	4	PC.
29			TR00000014	LONG SHAFT SLEEVE	2	PC.
30			TR00000009	WHEEL SHAFT ASSEMBLY	1	PC.
31			TR00000039	LOWER LIFTING ROD WELDING	1	PC.
32			TR00000038	PLASTIC BLOCK	4	PC.
33			TR00000037	SET SCREW M4X20	4	PC.
34			TR00000012	ANTI LOOSE NUT M6	4	PC.
35			TR00000011	WASHER M6	4	PC.
36			TR00000057	SELF TAPPING SCREW ST4.2X9.5	8	PC.
37			TR00000010	PROTECTIVE COVER	2	PC.
38			TR00000013	REINFORCING PLATE RIGHT	1	PC.
39			TR00000025	WASHER M10	2	PC.
40			TR00000019	HEX SOCKET SCREW M10X45	2	PC.
41			TR00000021	BOTTOM SUPPORT, RIGHT	1	PC.
42			TR00000020	WASHER	2	PC.
43			TR00000035	HEX SOCKET HEAD SCREW M10X120	2	PC.
44			TR00000023	HEX SOCKET HEAD BOLT M6X40	4	PC.
45			TR00000033	SIDE BAFFLE	2	PC.
46			TR00000024	HEX SOCKET HEAD SCREW M4X10	4	PC.
47			TR00000032	ANTI LOOSE WASHER	2	PC.
48			TR00000031	BUSHING	2	PC.
50			TR00000026	ANTI LOOSE NUT M10	2	PC.
51			TR00000022	FOOT PAD	2	PC.
52			TR00000036	REINFORCING PLATE LEFT	1	PC.
53			TR00000034	BOTTOM SUPPORT, LEFT	1	PC.
54			TR00000030	WELDING COMPONENTS	1	PC.
55			TR00000027	NON SLIP SLEEVE	2	PC.
56			TR00000029	FRONT BAFFLE	1	PC.
57			TR00000028	HEX SOCKET HEAD SCREW M6X12	2	PC.

ACCESSORIES

- Visit www.makita.ca for more accessories information -

<u>Item No.</u>	<u>Type</u>	<u>Sub</u>	<u>Part No.</u>	<u>Description</u>	<u>Qty</u>	<u>Unit</u>
58			TR00000064	BELT ASSY	1	PC.