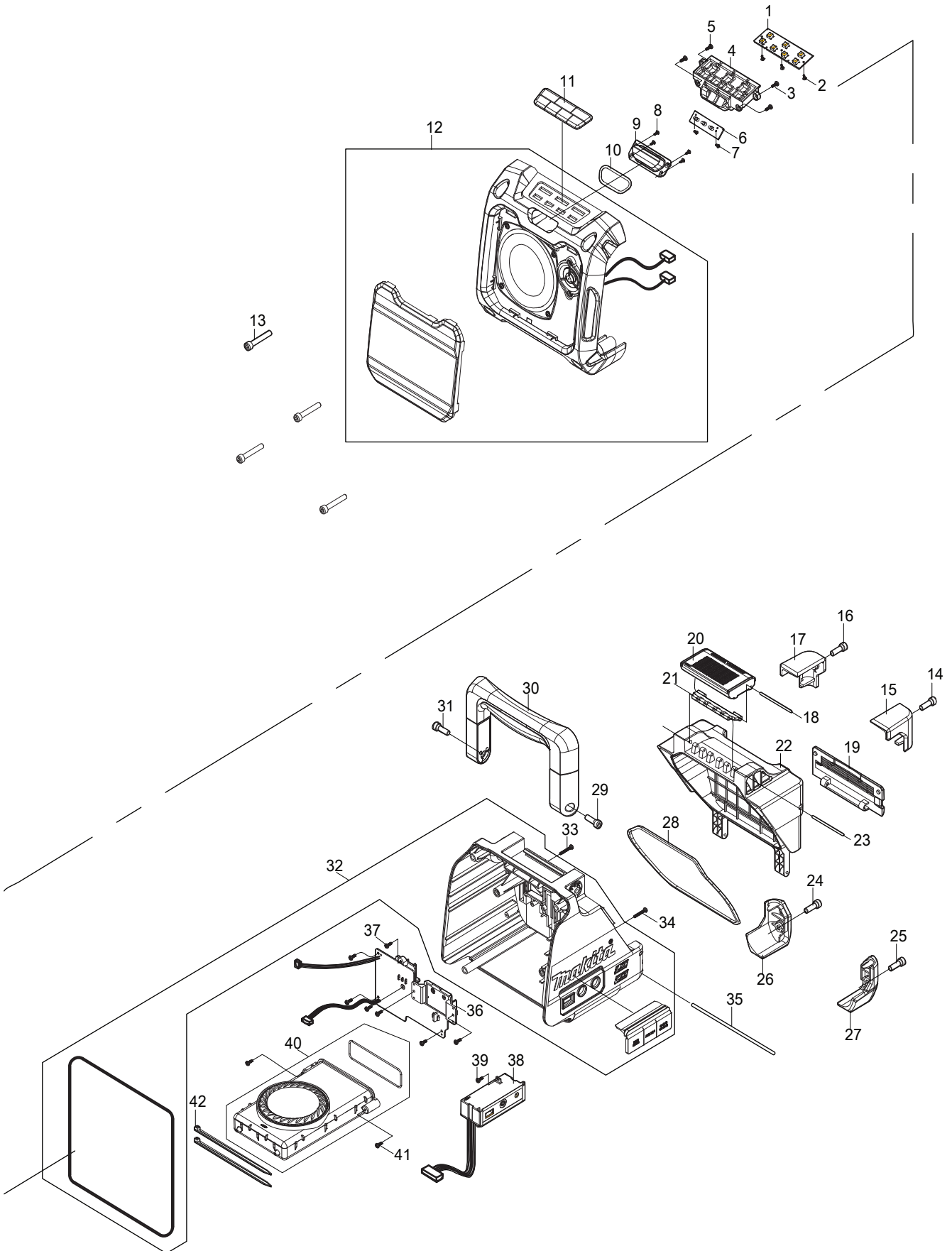




07 - 2016

DMR200

Jobsite Speaker with Bluetooth



| Item NType | Part No | Description | Qty | Unit |
|---------------------------|-----------------|---|-----|------|
| 1 | SE0000519 | PCB B ASSY(KEY BOARD) | 1 | PC. |
| 2 | SE0000520 | SCREW PTPW M2X6 (NI) | 3 | PC. |
| 3 | SE0000521 | SCREW PTB M3X8 (ZK) | 2 | PC. |
| 4 | SE0000522 | RUBBER KEY HOLDER | 1 | PC. |
| 5 | SE0000521 | SCREW PTB M3X8 (ZK) | 2 | PC. |
| 6 | SE0000523 | PCB A LED ASSY | 1 | PC. |
| 7 | SE0000520 | SCREW PTPW M2X6 (NI) | 2 | PC. |
| 8 | SE0000520 | SCREW PTPW M2X6 (NI) | 4 | PC. |
| 9 | SE0000524 | LED LENS | 1 | PC. |
| 10 | SE0000525 | LED LENS PACKING | 1 | PC. |
| 11 | SE0000526 | RUBBER KEY | 1 | PC. |
| 12 | SE0000527 | FRONT CABINET ASSY | 1 | PC. |
| | INC. SE0000529 | SPEAKER GRILL | 1 | PC. |
| 13 | SE0000530 | HEX HEAD SCREW M6X37 (CR) | 4 | PC. |
| 14 | SE09176166 | HEX SCREW M6X16 | 1 | PC. |
| 15 | SE0000531 | BATTERY BUMPER R | 1 | PC. |
| 16 | SE09176166 | HEX SCREW M6X16 | 1 | PC. |
| 17 | SE0000532 | BATTERY BUMPER L | 1 | PC. |
| 18 | SE0000533 | PIN 2X88 | 1 | PC. |
| 19 | SE0000534 | PHONE COVER ASSY | 1 | PC. |
| 20 | SE0000535 | LOCKER COVER | 1 | PC. |
| 21 | SE0000536 | LOCKER HINGE | 1 | PC. |
| 22 | SE0000537 | BATTERY COVER | 1 | PC. |
| 23 | SE0000539 | PIN 2X77 | 1 | PC. |
| 24 | SE09176166 | HEX SCREW M6X16 | 1 | PC. |
| 25 | SE09176166 | HEX SCREW M6X16 | 1 | PC. |
| 26 | SE0000540 | REAR BUMPER L | 1 | PC. |
| 27 | SE0000541 | REAR BUMPER R | 1 | PC. |
| 28 | SE0000542 | BATTERY PACKING | 1 | PC. |
| 29 | SE09176166 | HEX SCREW M6X16 | 1 | PC. |
| 30 | SE0000543 | HANDLE ASSY | 1 | PC. |
| 31 | SE09176166 | HEX SCREW M6X16 | 1 | PC. |
| 32 | SE0000545 | REAR ASSY | 1 | PC. |
| | INC. SE0000547 | JACK RUBBER COVER | 1 | PC. |
| | INC. SE024PC040 | PACKING | 1 | PC. |
| 33 | SE0000548 | SCREW PTB M3X20 (ZK) | 1 | PC. |
| 34 | SE0000548 | SCREW PTB M3X20 (ZK) | 1 | PC. |
| 35 | SE0000549 | BATTERY COVER FIXER PIN | 1 | PC. |
| 36 | 1 SE0000552 | PCB A ASSY | 1 | PC. |
| | 2 SE0000592 | PCB A ASSY | 1 | PC. |
| 37 | SE0000521 | SCREW PTB M3X8 (ZK) | 7 | PC. |
| 38 | SE0000553 | JACK HOLDER ASSY | 1 | PC. |
| 39 | SE0000521 | SCREW PTB M3X8 (ZK) | 1 | PC. |
| 40 | SE0000555 | MOBILE PHONE CASE ASSY | 1 | PC. |
| | INC. SE0000556 | PHONE CASE PACKING | 1 | PC. |
| 41 | SE0000557 | SCREW PTPW M3X10 (ZK) | 2 | PC. |
| 42 | SE0000195 | TIES F/CABLE, WHITE, 100MM | 2 | PC. |
| C01 | 3A91B35Z30000 | CARTON F/DMR200 | 1 | PC. |
| <u>ACCESSORIES</u> | | - See Catalogue or visit www.makita.ca for more accessories - | | |
| A01 | SE0000499 | AC ADAPTER | 1 | PC. |
| A02 | ----- | CHARGERS | | |
| A03 | ----- | 12V MAX LI-ION BATTERY, SLIDE TYPE | | |