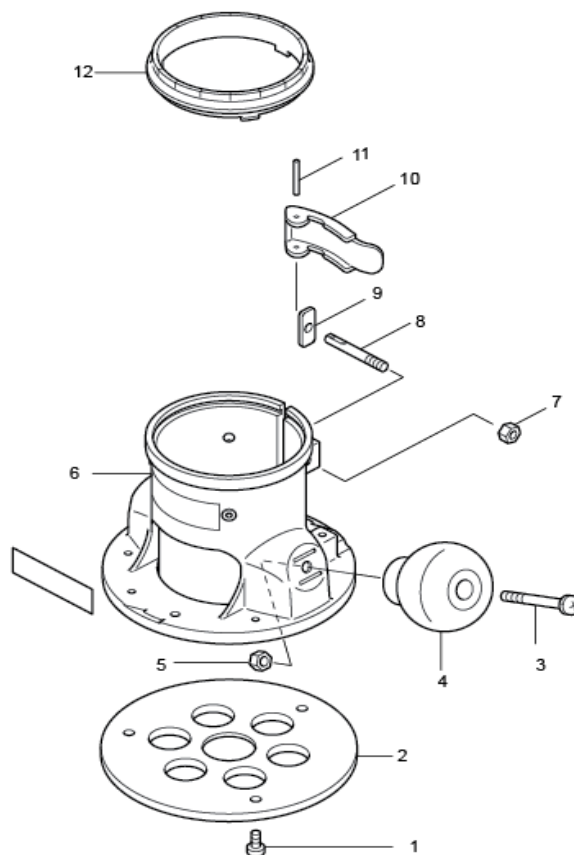




06-2016
Part No. 193103-8
ROUTER BASE SET
 (For Model RD1101, RF1101, RP1101)



Item No.	Part No.	Description	Qty	Unit
1	265081-3	+ P.H. SCREW W3/16-24X10	3	PC.
2	417138-8	BASE PLATE	1	PC.
3	911378-5	PAN HEAD SCREW M6X55	2	PC.
4	271313-8	KNOB 55	2	PC.
5	931301-4	HEX. NUT M6	2	PC.
6	151880-8	ROUTER BASE COMPLETE	1	PC.
7	252014-7	HEX. LOCK NUT M6-10	1	PC.
8	323968-6	SUPPORT PIN	1	PC.
9	344852-2	PLATE	1	PC.
10	344851-4	LOCK LEVER	1	PC.
11	268063-4	PIN 4	1	PC.
12	417137-0	SCALE RING	1	PC.