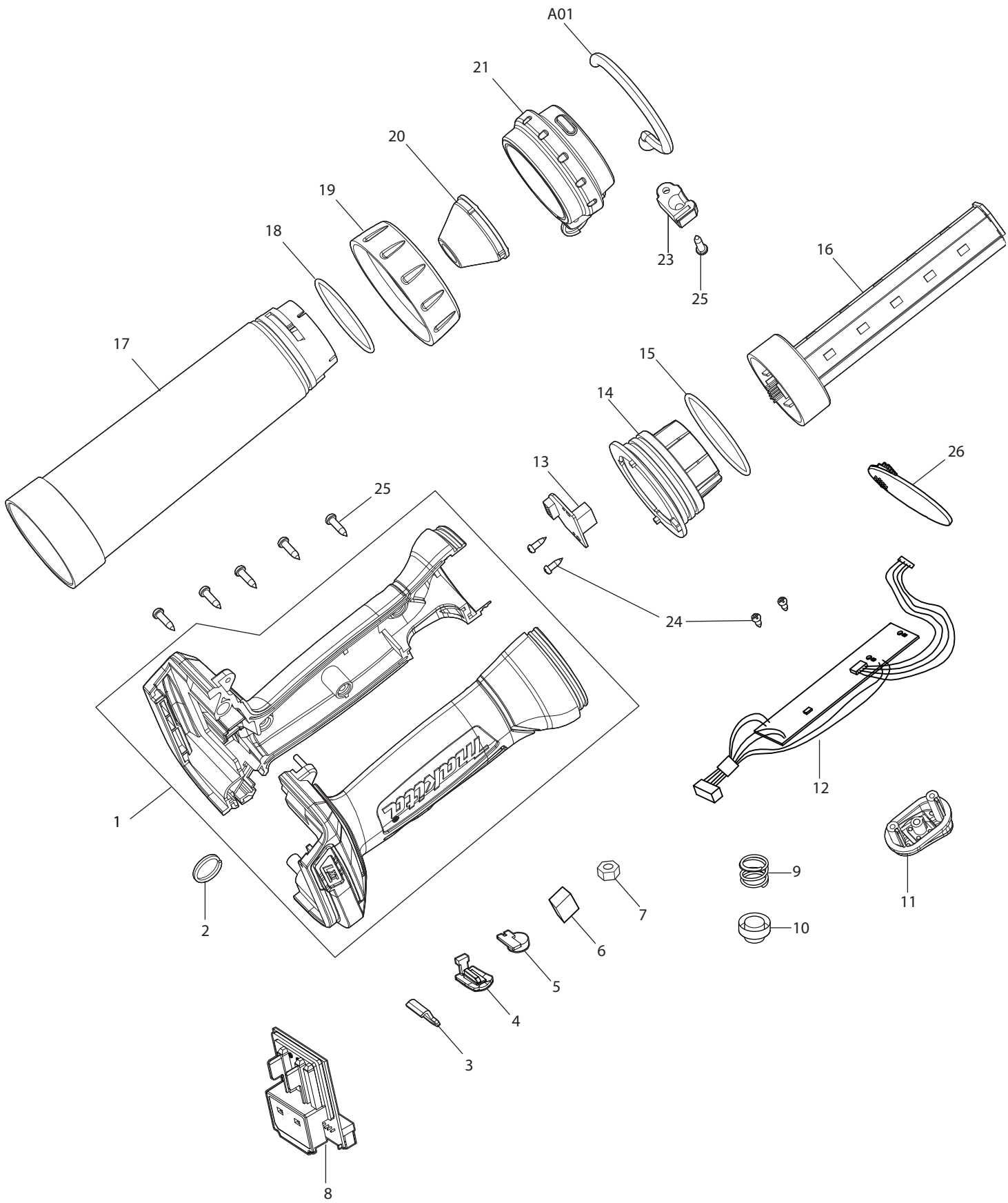




10 - 2016  
ML104  
12V Max LED Flashlight



Item NType	Part No	Description	Qty	Unit
1	GM00001684	HOUSING SET	1	PC.
2	SM00000190	RING	1	PC.
3	GM00001459	METAL STRAP HOOK	1	PC.
4	GM00001685	USB RUBBER COVER	1	PC.
5	GM00001712	USB SWITCH BUTTON	1	PC.
6	GM00001672	HEAT TRANSFER PAD	1	PC.
7	GM00001687	SQUARE NUT	1	PC.
8	GM00001688	BATTERY HOLDER/USB PCB A ASSY	1	PC.
9	GM00001689	METAL SPING	1	PC.
10	GM00001690	PLASTIC SWITCH POST	1	PC.
11	GM00001461	SWITCH HOLDER ASSY	1	PC.
12	GM00001691	MAIN PCB A ASSY	1	PC.
13	GM00001692	FEMALE SOCKET PCB A	1	PC.
14	GM00001693	LAMP HOLDER	1	PC.
15	GM00001464	O RING, CAP	1	PC.
16	GM00001694	LED LAMP TUBE ASSY	1	PC.
17	GM00001695	DIFFUSING CAP	1	PC.
18	GM00001467	O RING	1	PC.
19	GM00001468	LOCK RING	1	PC.
20	GM00001469	REFLECTOR	1	PC.
21	GM00001470	BEZEL ASSY	1	PC.
23	GM00001472	HOOK BALL COVER	1	PC.
24	GM00001395	PAN HEAD SCREW 2.6X8 TYPE B	4	PC.
25	GM00001024	SCREW 3X12	6	PC.
26	GM00001696	LED DRIVER PCB A ASSY	1	PC.
<b><u>ACCESSORIES</u></b>				
<b>- Visit <a href="http://www.makita.ca">www.makita.ca</a> for more accessories information -</b>				
A01	GM00001471	HOOK ASSY	1	PC.
A02	DC10SB	RAPID CHARGER DC10SB	1	PC.
A03	-----	12V MAX LI-ION BATTERY, SLIDE TYPE	2	PC.
A04	-----	LI-ION BATTERY ACCESSORIES		
A05	GM00001714	MAGNET	1	PC.