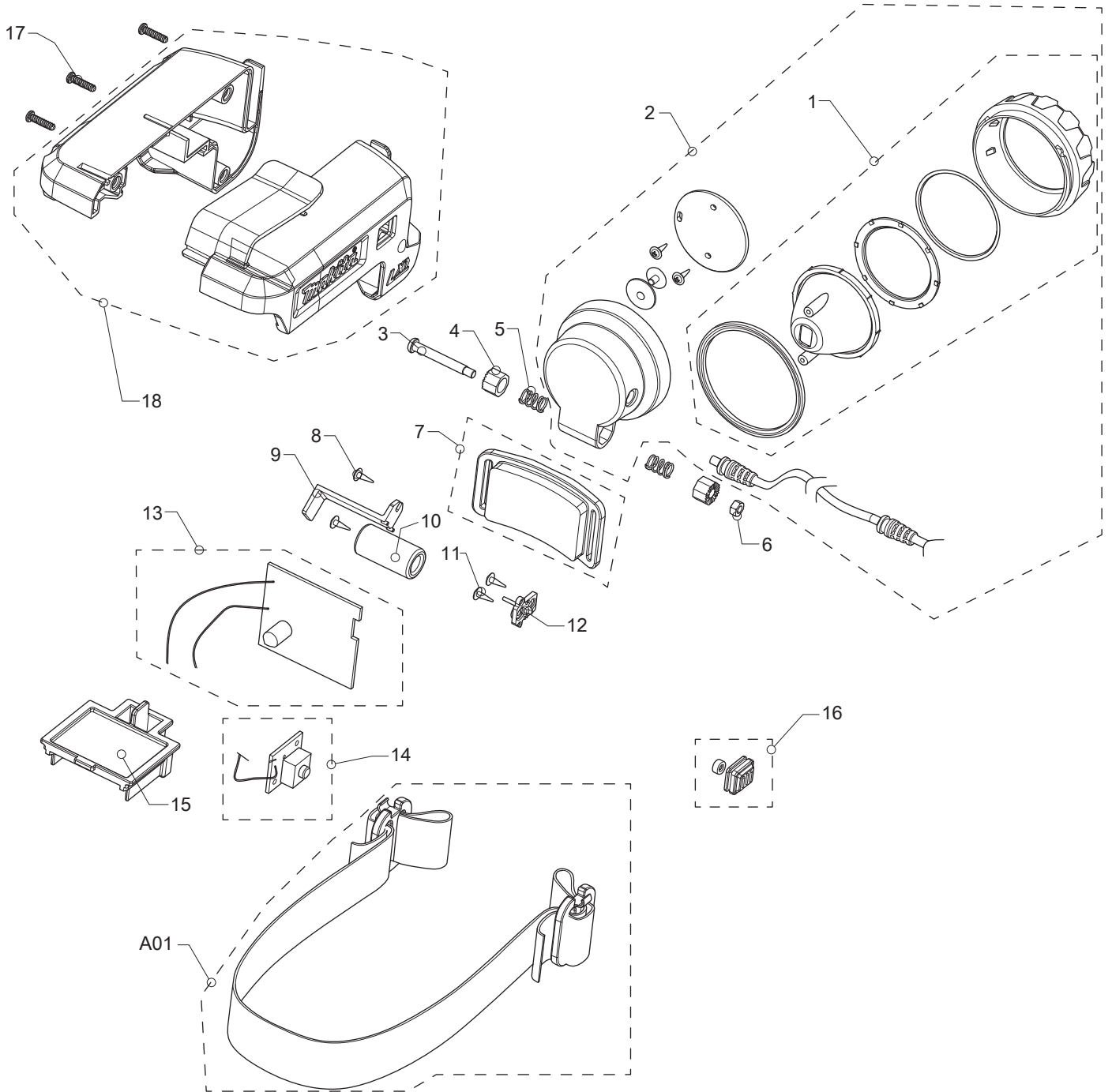




05 - 2017

DML800

14.4/18V LXT LED Head / Rechargeable Flashlight



<b>Item No</b>	<b>Type</b>	<b>Part No</b>	<b>Description</b>	<b>Qty</b>	<b>Unit</b>
1		GM00001223	LAMP HD FRONT ASSY	1	PC.
2		GM00001210	LAMP HEAD ASSY	1	PC.
	INC.		Item No. 1		
3		GM00001224	SCREW M3.5X30	1	PC.
4		GM00001225	ANGLE LOCK	2	PC.
5		GM00001226	SPRING	2	PC.
6		GM00001227	HEX NUT	1	PC.
7		GM00001228	BELT CLIP ASSY	1	PC.
8		GM00001229	SCREW M2.3X8 PWB	2	PC.
9		GM00001230	HOLDER FOR FERRITE	1	PC.
10		GM00001231	MAGNET RING	1	PC.
11		GM00001229	SCREW M2.3X8 PWB	2	PC.
12		GM00001233	CABLE GUARD	1	PC.
13		GM00001234	MAIN CIRCUIT	1	PC.
14		GM00001235	SWITCH CIRCUIT	1	PC.
15		GM00001117	BATTERY HOLDER	1	PC.
16		GM00001236	SWITCH COVER ASSY	1	PC.
17		GM00001189	SCREW M3X12 BB	3	PC.
18		GM00001237	BODY ASSY	1	PC.
<b><u>ACCESSORIES</u></b>		<b>- See Catalogue or visit <a href="http://www.makita.ca">www.makita.ca</a> for more accessories -</b>			
A01		GM00001380	SILICON BAND ASSY	1	PC.
A02		-----	14.4V / 18V LI-ION BATTERY	1	PC.
A03		-----	BATTERY CHARGER	1	PC.