

ORIGINAL INSTRUCTION
MANUAL
MANUEL D'INSTRUCTIONS
ORIGINAL
MANUAL DE INSTRUCCIONES
ORIGINALES

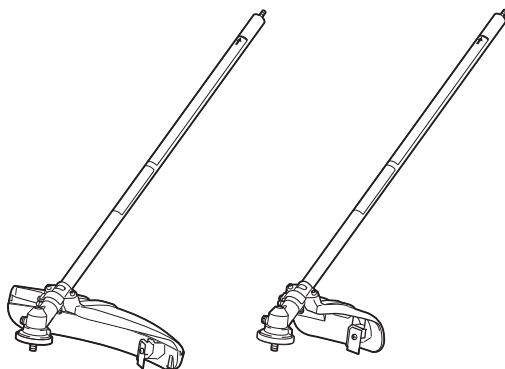


Brushcutter Attachment Tête Débroussailleuse Accesorio para Desbrozadora

EM403MP
EM404MP

String Trimmer Attachment Tête Coupe Herbe

EM405MP
EM406MP



IMPORTANT: Read Before Using.

IMPORTANT : Lire avant usage.

IMPORTANTE: Lea antes de usar.

TABLE OF CONTENTS

SPECIFICATIONS	2	OPERATION.....	12
SAFETY WARNINGS	3	MAINTENANCE.....	13
PARTS DESCRIPTION.....	7	TROUBLESHOOTING.....	16
ASSEMBLY.....	7		

SPECIFICATIONS

Model:		EM403MP	EM404MP	EM405MP	EM406MP
Dimensions: length x width x height (without cutting tool)		876 mm x 392 mm x 225 mm (34-1/2" x 15-1/2" x 8-7/8")		876 mm x 187 mm x 232 mm (34-1/2" x 7-3/8" x 9-1/8")	
Net weight		1.5 kg (3.3 lbs)		1.3 kg (2.8 lbs)	
Nylon cord diameter		2.0 - 2.3 mm (0.08 - 0.09")			
Cutting diameter	Metal blade ⚠WARNING: In US and Canada, metal blades cannot be used with DUX60 or XUX01 due to regulations.	230 mm (9")		-	
	Nylon cutting head	420 mm (16.5")			
	Plastic blade * In US and Canada, the plastic blade can be used in conjunction with EX2650LH only.	255 mm (10")		-	
Gear ratio		14:19	13:21	14:19	13:21

- Due to our continuing program of research and development, the specifications herein are subject to change without notice.
- Specifications may differ from country to country.
- Weight according to EPTA-Procedure 01/2014
- In US and Canada, EM403MP and EM404MP do not include the metal blade, nut, cup or clamp washer.











Approved power unit

- EX2650LH Multi function power head
- DUX60, XUX01, UX01G, GUX01 Cordless multi function power head

⚠ WARNING: Never use the attachment with non-approved power unit. Non-approved combination may cause serious injury.

Symbols

The following symbols are used on the attachment and this instruction manual. Understand these definitions.

	Take Particular care and attention!
	Read instruction manual.
	Wear protective helmet, eye and ear protection!
	Protective gloves must be worn!
	Wear sturdy boots with nonslip soles. Steeltod safety boots are recommended!
	Keep bystanders at least 15 m (50 ft) away.
	Flying object hazard!
	Kickback!
	Top permissible tool speed
	For EM405MP and EM406MP only Never use metal blade.

SAFETY WARNINGS

Brushcutter safety warnings

⚠ WARNING: Read all safety warnings, instructions, illustrations and specifications provided with this machine. Failure to follow all instructions listed below may result in fire and/or serious injury to the operator and/or bystanders.

Save all warnings and instructions for future reference.

The term “brushcutter” and “machine” in the warnings and precautions refer to the combination of the attachment and the power unit.

The term “motor” in the warnings and precautions refers to the engine or electric motor of the power unit.

General safety

1. **First-time or inexperienced operator should ask the dealer for training in all operation of the machine. Never allow children, persons with reduced physical, sensory or mental capabilities or lack of experience and knowledge or people unfamiliar with the instructions to use the machine.**
2. **It is recommended only to lend the machine to people who have proven to be experienced. Always hand over the instruction manual.**
3. **Stay alert, watch what you are doing and use common sense when operating the machine. Do not use the machine while you are tired, ill, or under the influence of drugs, alcohol or medication.** A moment of inattention while operating the machine may result in serious personal injury.
4. **Avoid using the machine in bad weather conditions especially when there is a risk of lightning.**
5. **Follow your national and local regulation for use of outdoor power machines.**

Intended use of machine

This machine is only intended for cutting grass, weeds, bushes and undergrowth. Never use the machine for any other purpose such as edging or hedge cutting. Use for unintended purpose may result in serious injury.

Personal protective equipment

1. **Always wear heavy, long pants, sturdy boots, gloves, and a long-sleeve shirt. Do not wear loose clothing, jewelry, short pants, sandals, or go barefoot. Secure hair so it is above shoulder level.**
2. **Always wear a helmet where there is a risk of falling objects.**
3. **Always wear protective goggles to protect your eyes from injury when using the machine. The goggles must comply with ANSI Z87.1 in the USA, EN 166 in Europe, or AS/NZS 1336 in Australia/New Zealand. In Australia/New Zealand, it is legally required to wear a face shield to protect your face, too.**



It is an employer's responsibility to enforce the use of appropriate safety protective equipments by the tool operators and by other persons in the immediate working area.

4. **Wear ear protection, such as ear muffs.** Exposure to noise can cause hearing loss.
5. **Always wear sturdy shoes with a non-slip sole.** This protects your feet against injuries and ensures a good footing.
6. **Wear a dust mask as necessary.**

Preparation before use

1. **Before use, always check the machine is safe for operation:**
 - Check for fuel leaks.
 - Make sure all fasteners are in place and secure.
 - Replace damaged parts.
 - Make sure the cutting tool is properly installed and securely fastened.
 - Make sure the cutting tool guard is properly attached in the position as described in this manual.
 - Check the throttle trigger, lock-off lever and other control switch for smooth action and proper function.
 - Clean the handles for proper control of the machine.
 - Make sure the handles are installed as described in this manual.

Failure to follow those instructions may cause serious injury.

2. **Use a sharp blade. Discard blades that are bent, warped, cracked, broken, chipped or damaged in any way.** A dull blade is more likely to snag and kickback.
3. **Always use all required parts for fixing the blade properly.** Improper fixing parts can cause the blade to fly off and seriously injure the operator and/or bystanders.

Refueling

1. **Stop the engine before refueling. Keep away from open flames and sparks. Never smoke during refueling.** Otherwise fire and/or explosion may result.
2. **Refuel outdoors.** Refueling in a closed room can cause explosion of fuel vapor.
3. **Avoid contact with fuel or engine oil. Do not inhale fuel vapor. If fuel or oil spills, wipe it off from the machine and/or ground immediately. If fuel spills on your clothes, change it immediately to prevent it from catching fire.**
4. **After refueling, carefully tighten the fuel tank cap and check for fuel leak. Move at least 3 m (10 feet) away from the fueling source and site before starting engine.**
5. **Only transport and store fuel in approved containers. Keep children away from the stored fuel.**

Starting up the brushcutter

1. **Keep children, bystanders and pets at least 15 m (50 feet) away, when starting up or using the machine. Additionally, bystanders should wear eye protection, as there is still a risk of injury from thrown objects.** Otherwise bystanders' unexpected action or blade kickback may cause serious injury to the operator and/or bystanders.
2. **Start and operate the machine only outdoors in a well ventilated area.** Operation in a confined or poorly ventilated area can result in death due to suffocation or carbon monoxide poisoning.
3. **Before starting, make sure that the cutting tool has no contact with hard objects such as branches, stones etc. as the cutting tool will revolve when starting.**
4. **If the cutting tool rotates at idle, adjust the idle speed so that it stops at idle.** Otherwise unintentional contact with moving cutting tool may result in serious injury.
5. **Stop the motor immediately if you notice any trouble.**

Transportation

1. **Stop the motor during transport.** Otherwise unintentional start-up may cause injury.
2. **When transporting the machine, always attach the cover to the cutting blade.** Contact with bare blades results in injury.
3. **Ensure safe position of the machine during car transportation to avoid fuel leakage.**

4. **Lift the entire machine from the ground when carrying the machine.** Dragging the machine causes fuel tank damage and fuel leakage, resulting in fire.

Operation

1. **Only use the machine in good light and visibility.** Use in the dark or poor visibility area may cause unexpected accident.
2. **Avoid using the machine when it is hard to keep your balance, for example, working on a steep surface or windy day.**
3. **During the winter season, beware of slippery or wet areas, ice and snow to avoid slipping.**
4. **If you are approached, stop the motor.** Otherwise the rotating cutting tool may hit the bystander and result in serious injury.
5. **Clear the working area before operation. Remove all objects such as rocks, broken glass, nails, wire, or string, which can be thrown or become entangled in the cutting attachment.** Foreign particles may damage the cutting tool and can cause dangerous kickback.
6. **To control the machine steadily, do the following during operation:**
 - **Hold the machine with both hands firmly on your right side.**
 - **Hang the machine on your shoulder(s) with the shoulder harness.**
 - **Ensure a safe footing. Never work on a ladder or in a tree.**
 - **Avoid over-reach.**
 - **Keep cutting tool below waist level.**
 - **Keep all parts of your body away from the rotating cutting tool and hot surface.**Those actions reduce the risk of injury.
7. **If weeds or branches get caught between the cutting tool and guard, always stop the motor before clearing.** Otherwise unintentional blade rotation may cause serious injury.
8. **Never drop or throw the machine, unless an emergency. If the machine drops or hits something, immediately check for fuel leakage, safety devices and other damages.** Operating a malfunctioned machine may cause injury and/or fire.
9. **Inspect the cutting tool frequently, or immediately after it hits a stone or other hard objects.** If the cutting tool breaks during operation, the broken piece may fly and cause injury.

10. **Stop the motor when inspecting, cleaning or replacing the cutting tool.** Otherwise the cutting tool may rotate unexpectedly and result in serious injury.
11. **Maintain proper control until the cutting tool stops completely, when stopping the motor or releasing the throttle trigger.** A coasting blade can cause injury.
12. **Before starting the cutting operation, wait until the cutting tool attains enough speed for cutting.** It reduces the risk of kickback and entangling weeds.
13. **Take a rest to prevent loss of control caused by fatigue.** We recommend taking a 10 to 20-minute rest every hour.
14. **Stop the motor and place it in safe location, when resting or leaving the machine.** It prevents unexpected accident.
15. **Do not touch the engine and its muffler or do not put them onto combustible materials, while the engine runs or just after stopping it, as they are hot.** Burn and/or fire may result.

Cutting Tools

1. **Use a suitable cutting tool for your work.**
 - Nylon cutting heads (string trimmer heads) are suitable for trimming lawn grass.
 - Metal blades are suitable for cutting weeds, high grasses, bushes, shrubs, underwood, thicket, and the like.**Always use the cutting tool guard properly suited for the cutting tool used.**
2. **When using a nylon cutting head, use only flexible, nonmetallic line recommended in this manual. Never use wire or wirerope.** They can break off and become a dangerous projectile.
3. **Never use metal multi-piece pivoting chains, flail blades or blades not recommended in this manual.** Otherwise serious injury may result.
4. **When handling the metal blade, always wear gloves and put the blade cover on the blade.** The blade can cut bare hands.
5. **When using metal blades, avoid “kickback” and always prepare for an accidental kickback.** See the section *Kickback*.

Kickback (blade thrust)

Kickback (blade thrust) may occur when the spinning blade contacts an object that it does not immediately cut. It can be violent enough to cause the unit and/or operator to be propelled in any direction, and possibly lose control of the unit, resulting in serious injury. Kickback can occur without warning if the blade snags, stalls or binds and is more likely to occur in areas where it is difficult to see the material being cut.

Kickback occurs particularly when applying the blade segment between 12 and 2 o'clock to solids, bushes and trees with 3 cm or larger diameter.

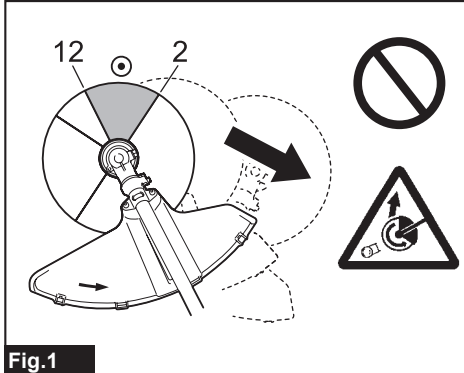


Fig.1

To avoid kickback:

1. Apply the segment between 8 and 11 o'clock.
2. Swing the tool evenly in half-circle from right to left, like using a scythe. This allows the proper segment of blade to contact plants to be cut.
3. Never apply the segment between 12 and 2 o'clock.
4. Never apply the segment between 11 and 12 o'clock and between 2 and 5 o'clock, unless the operator is well trained and experienced and does it at his/her own risk.

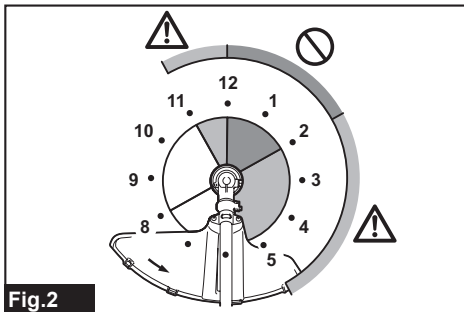


Fig.2

5. Never use cutting blades close to solids, such as fences, walls, tree trunks and stones.

6. Never use cutting blades vertically, for such operations as edging and trimming hedges.
7. Avoid using the tool in areas where it is difficult to see the object being cut.

Vibration

Exposing to excessive vibration injures blood vessels or nervous system of the operator and causes the following symptoms in the fingers, hands or wrists: "Falling asleep" (numbness), tingling, pain, stabbing sensation, or alteration of skin color or of the skin. If any of these symptoms occur, see a physician.

To reduce the risk of "white finger disease", keep your hands warm during operation and well maintain the machine and accessories.

Maintenance

1. Have your machine serviced by our authorized service center using only identical replacement parts. Use only identical spare parts and accessories supplied by MAKITA. Incorrect repair and poor maintenance can shorten the life of the machine and increase the risk of accidents.
2. Never alter or remove any components of the machine. It may cause fire and/or serious injury.
3. After use, clean the machine and check all screws and nuts for tightness.
4. Check the condition of the cutting tool, cutting tool guard and shoulder harness. The cutting blade must be sharp. Never straighten or weld damaged cutting tools.

Other instructions

1. Always store the machine in locked rooms and with an emptied fuel tank.
2. Pay attention to the environment. Avoid unnecessary throttle operation for less pollution and noise emissions. Adjust the carburetor correctly.
3. Do not operate the engine with faulty exhaust muffler.

First Aid

1. In case of accident make sure that a first-aid box is available in the vicinity of the cutting operations. Immediately replace any item taken from the first aid box.
2. When asking for help, give the following information:
 - Place of accident
 - What happened
 - Number of injured persons
 - Kind of injuries
 - Your name

Additional safety instructions

1. To avoid accident, leave more than 15m (50 ft) distance between operators when two or more operators work in one area. Also, arrange a person to observe the distance between operators. If someone or an animal enter the working area, immediately stop the operation.
2. Only use the cutting tools that are marked with a speed equal or higher than the speed marked on the tool.
3. Be sure to remove the cover on the cutting blade before operation.

⚠️WARNING: Use of this product can create dust containing chemicals which may cause respiratory or other illnesses. Some examples of these chemicals are compounds found in pesticides, insecticides, fertilizers and herbicides.

Your risk from these exposures varies, depending on how often you do this type of work. To reduce your exposure to these chemicals: work in a well ventilated area, and work with approved safety equipment, such as those dust masks that are specially designed to filter out microscopic particles.

SAVE THESE INSTRUCTIONS.

PARTS DESCRIPTION

EM403MP, EM404MP

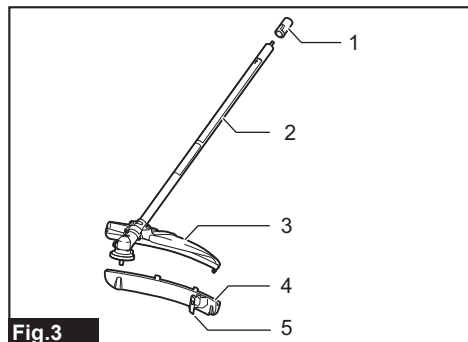


Fig.3

- 1. Cap 2. Pipe 3. Protector (universal type)
4. Protector extension 5. Cutter

EM405MP, EM406MP

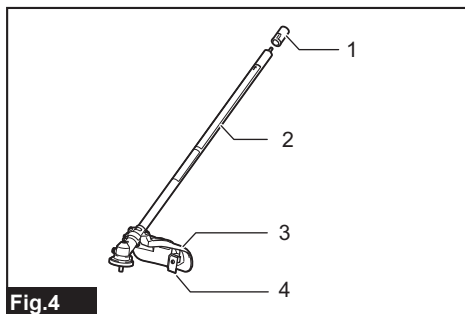


Fig.4

- 1. Cap 2. Pipe 3. Protector (narrow type)
4. Cutter

ASSEMBLY

⚠️WARNING: Before assembling or adjusting the equipment, switch off the motor and remove the spark plug cap or battery cartridge. Otherwise the cutting tool or other parts may move and result in serious injury.

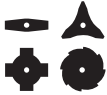



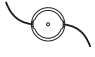

⚠️WARNING: Before handling cutting blade, wear protective gloves. During the assembly or adjustment, your fingers may contact with the cutting blade and it may cause serious injury.

⚠️WARNING: When assembling or adjusting the equipment, always put it down. Assembling or adjusting the equipment in an upright position may result in serious injury.

⚠️WARNING: Follow the warnings and precautions in the chapter "SAFETY WARNINGS" and the instruction manual of the power unit.

Correct combination of the cutting tool and the protector

⚠ CAUTION: Always use the correct combination of cutting tool and protector. The wrong protector may not protect you from flying debris and stones. It can also affect the balance of the tool and result in serious personal injury.

Model	Cutting tool	Protector
EM403MP EM404MP	Metal blade (Country specific) (with nut, cup, and clamp washer) 	Protector (universal) 
	Nylon cutting head / Plastic blade (Country specific) * In US and Canada, the plastic blade can be used in conjunction with EX2650LH only. 	Protector (universal) with protector extension 
EM405MP EM406MP	Nylon cutting head 	Protector (narrow) 

Installing the protector (cutting tool guard)

⚠ WARNING: Do not use a cutting tool without an appropriate protector at any time.

⚠ WARNING: Always use the cutting tool with the correct combination of the protector. Otherwise contact with a cutting tool may cause serious injury.

NOTICE: Periodically tighten the bolts on the protector. Tighten the right and left bolts evenly so that the gap between the clamp and the protector is constant.

Fix the protector to the clamp with bolts.

Protector (universal type)

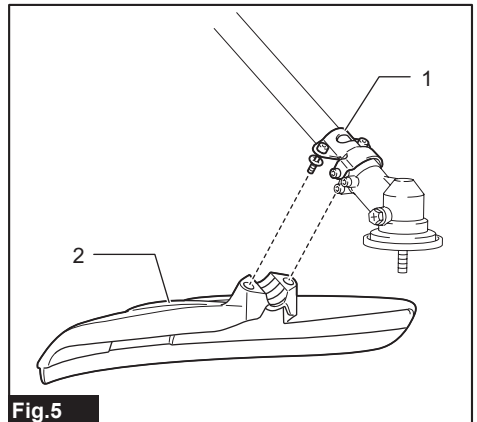


Fig.5

► 1. Clamp 2. Protector

Protector (narrow type)

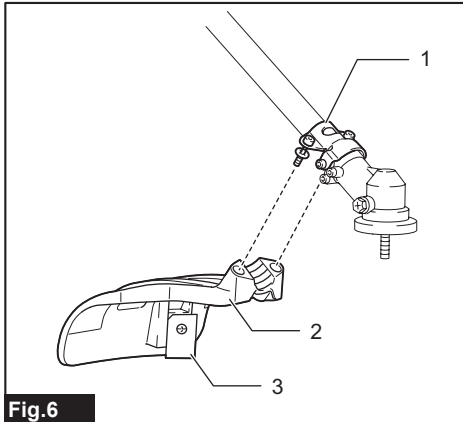


Fig.6

- 1. Clamp 2. Protector 3. Cutter

CAUTION: Be careful not to injure yourself with the cutter mounted on the protector.

NOTE: The cutter on the protector keeps the nylon cord best length for cutting.

For EM403MP and EM404MP

To install the protector extension, insert the protector extension to the protector and then snap the clips on. Make sure that the tabs on the protector extension fit into the slots on the protector.

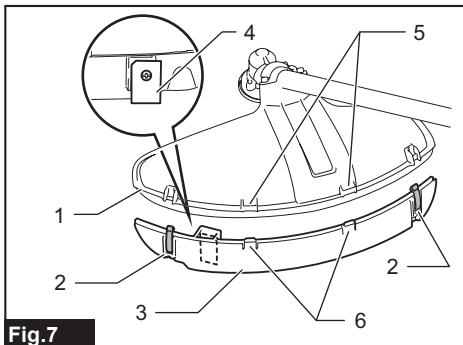


Fig.7

- 1. Protector (universal type) 2. Clip 3. Protector extension 4. Cutter (inside) 5. Slot 6. Tab

To remove the protector extension from the protector, unclamp the clips and pull the protector extension out.

CAUTION: Make sure to push in the protector extension until it is fully inserted. Otherwise the protector extension may fall and result in personal injury.

CAUTION: Be careful not to injure yourself with the cutter mounted on the protector extension.

NOTE: The cutter on the protector extension keeps the nylon cord best length for cutting.

Installing the cutting tool

CAUTION: Be sure to use genuine MAKITA cutting tools.

CAUTION: Be sure to remove the hex wrench after installation.

NOTE: When installing the cutting tool, turn the tool upside down for ease of the procedure.

Installing the metal blade

For EM403MP and EM404MP (optional accessory for US and Canada)

CAUTION: When handling the metal blade, always wear gloves and put the blade cover on the blade.

CAUTION: The outside diameter of the metal blade must be 230 mm (9"). Never use any blades larger than 230 mm (9") in outside diameter.

CAUTION: The metal blade must be well polished, free of cracks or breakage. If the metal blade hits against a stone during operation, stop the motor and check the blade immediately.

CAUTION: Polish or replace the metal blade every three hours of operation.

CAUTION: Always use the supplied wrench(es) to remove or to install the blade.

Applicable blade

Metal blade (2-tooth)



Metal blade (3-tooth)



Metal blade (4-tooth)



Metal blade (8-tooth)



1. Insert the receive washer into the shaft.
2. Insert the hex wrench through the hole in the gear case to lock the shaft. Rotate the shaft until the hex wrench is fully inserted.
3. Mount the metal blade onto the receive washer.
4. Install the clamp washer and cup, and then tighten the nut securely.
Tightening torque: 16 - 23 N•m
5. Remove the hex wrench.

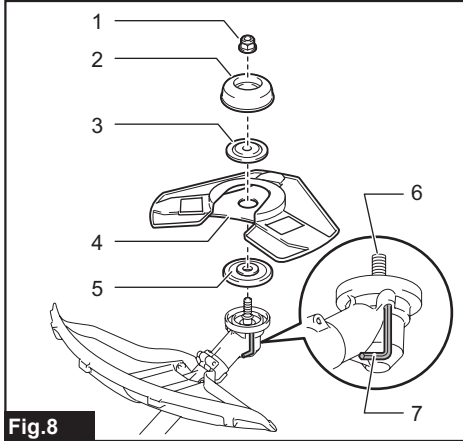


Fig.8

- 1. Nut 2. Cup 3. Clamp washer 4. Metal blade 5. Receive washer 6. Shaft 7. Hex wrench

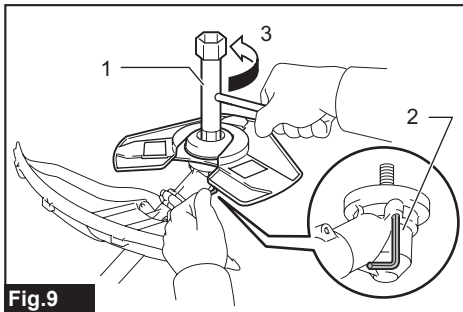


Fig.9

- 1. Socket wrench 2. Hex wrench 3. Tighten

Make sure that the arrows on the blade and protector indicate the same way.

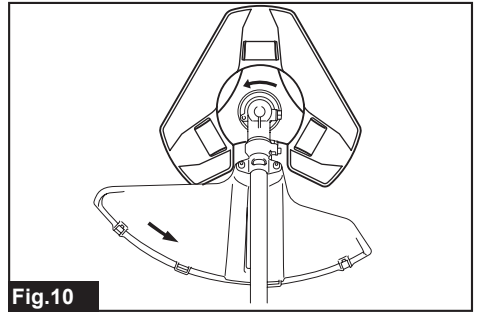


Fig.10

To remove the metal blade, follow the installation procedure in reverse.

NOTE: The resin part on the blade fastening nut wears out in course of time. Replace the nut if there appears any wear or deformation.

Installing the nylon cutting head

CAUTION: If the nylon cutting head hits against a stone during operation, stop the motor and check the nylon cutting head immediately.

1. Put the receive washer on the shaft.
2. Insert the hex wrench through the hole in the gear case.
3. Screw the nylon cutting head onto the shaft.
4. After installing nylon cutting head, remove the hex wrench.

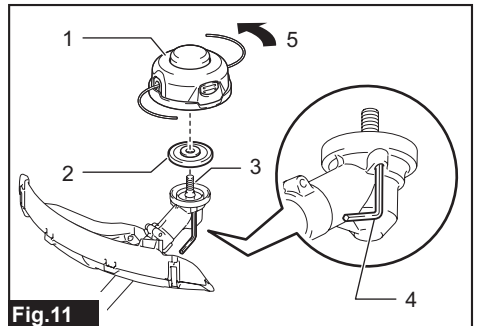


Fig.11

- 1. Nylon cutting head 2. Receive washer 3. Shaft 4. Hex wrench 5. Tighten

Installing plastic blade

For EM403MP and EM404MP (optional accessory)

CAUTION: If the plastic blade accidentally impacts a rock or hard object during operation, stop the tool and inspect for any damage. If the plastic blade is damaged, replace it immediately. Use of a damaged cutting tool could result in serious personal injury.

CAUTION: Be sure to remove the hex wrench after installation.

NOTICE: Be sure to use genuine Makita plastic blade.

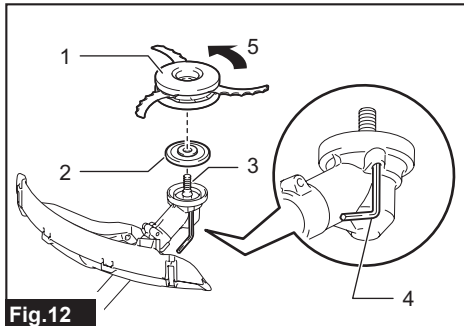


Fig.12

- 1. Plastic blade 2. Receive washer 3. Shaft
4. Hex wrench 5. Tighten

1. Put the receive washer on the shaft.
2. Insert the hex wrench through the hole on the gear case and rotate the spindle until the spindle is locked.
3. Place the plastic blade onto the threaded spindle directly and tighten.
4. Remove the hex wrench.

To remove the plastic blade, turn it clockwise while holding the receive washer with the hex wrench.

Mounting the attachment pipe

CAUTION: Always check that the attachment pipe is secured after installation. Improper installation may cause the attachment falling off from the power unit and cause personal injury.

Mount the attachment pipe to the power unit.

1. Turn the lever of the power unit toward the attachment side.

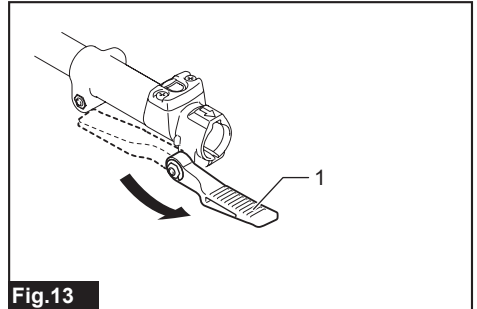


Fig.13

- 1. Lever

2. Remove the cap of the attachment. Align the pin with the arrow mark and insert the attachment pipe until the release button pops up.

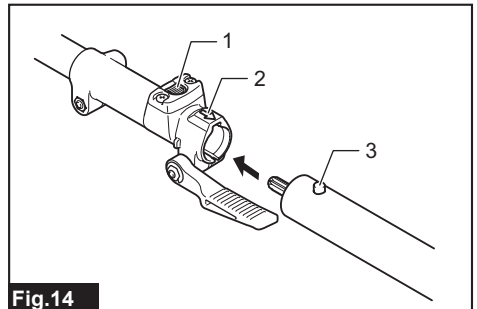


Fig.14

- 1. Release button 2. Arrow mark 3. Pin

3. Turn the lever toward the power unit side.

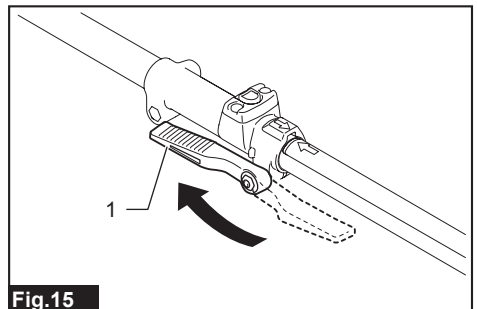


Fig.15

- 1. Lever

Make sure that the surface of the lever is parallel to the pipe.

To remove the pipe, turn the lever toward the attachment side and pull the pipe out while pressing down the release button.

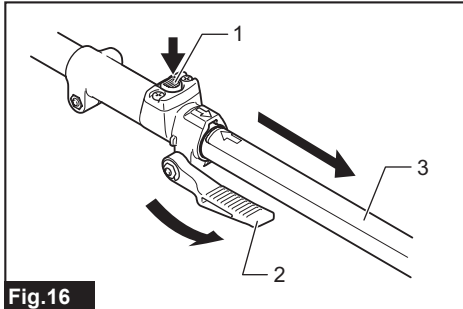


Fig.16

► 1. Release button 2. Lever 3. Pipe

OPERATION

⚠ WARNING: Follow the warnings and precautions in the chapter “SAFETY WARNINGS” and the instruction manual of the power unit.

⚠ WARNING: If the cutting tool moves at idle, adjust the idle speed of the engine down. Otherwise you cannot stop the cutting tool by throttle off and it may cause serious injury.

Adjusting the hanger position and shoulder harness

⚠ WARNING: Do not use the tool if you cannot adjust the hanger position and shoulder harness length within the range as illustrated. Using the tool with improper weight balance may bring the cutting tool upward and result in personal injury.

When replacing an accessory with another, the weight balance of the equipment may change. In such case, adjust the hanger position and shoulder harness length as follows.

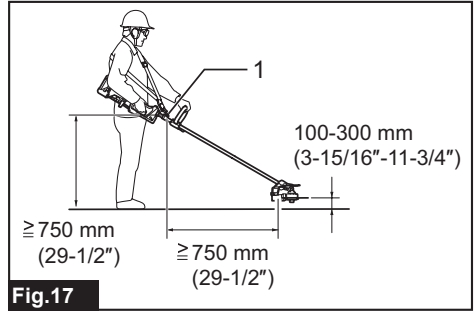


Fig.17

► 1. Hanger

To change the hanger position, loosen the fixing screw on the hanger and then move the hanger (A).

Adjust the hanger position and shoulder harness length so that:

- the hanger positions 750 mm (29-1/2") or higher from the ground,
- the cutting tool positions 100 mm (3-15/16") to 300 mm (11-3/4") high from the ground and,
- the unguarded part of cutting tool is horizontally 750 mm (29-1/2") or further away from the hanger.

After adjusting the hanger position, tighten the screw with a wrench or screwdriver (depending on the power unit) securely.

Using a nylon cutting head

During operation, use the tip of the nylon cutting cord for cut. As the nylon cutting cord is worn and shortened with the cutting operation, the operator needs to feed it manually. To feed the nylon cutting cord, tap the nylon cutting head on the ground while it rotates around 6,000/min.

NOTE: If the nylon cutting cord does not feed out, rewind it. Refer to the chapter “MAINTENANCE.”

MAINTENANCE

⚠ WARNING: Before inspecting or maintaining the equipment, switch off the motor and remove the spark plug cap or battery cartridge. Otherwise the cutting tool or other parts may move and result in serious injury.

⚠ WARNING: When inspecting or maintaining the equipment, always put it down. Assembling or adjusting the equipment in an upright position may result in serious injury.

⚠ WARNING: Follow the warnings and precautions in the chapter “SAFETY WARNINGS” and the instruction manual of the power unit.

NOTICE: Never use gasoline, benzene, thinner, alcohol or the like. Discoloration, deformation or cracks may result.

Overall inspection

- Tighten loose bolts, nuts and screws.
- Check for damaged parts and blades. Ask our authorized service center to replace them if necessary.

Resharpener the cutting tool

⚠ WARNING: Do not sharpen cutting blades by yourself. Manual sharpening unbalances a cutting blade and it can cause vibrations and damage to the equipment.

Ask Makita authorized service center to sharpen and rebalance blunt cutter blades.

Replacing the nylon cord

⚠ WARNING: For the bump and feed type nylon cutting head, make sure that the cover of the nylon cutting head is secured to the housing properly as described below. Failure to properly secure the cover may cause the nylon cutting head to fly apart resulting in serious personal injury.

The way to replace the nylon cord varies depending on the cutting tool type. Replace the nylon cord if the cord is not fed any more.

Lubricating moving parts

NOTICE: Follow the instruction of the frequency and amount of grease supplied. Otherwise insufficient lubrication may damage moving parts.

Gear case:

⚠ CAUTION: Do not apply grease when the gear case is hot. Hot gear case can cause burn injury.

Apply grease (Shell Alvania 2 or equivalent) to the gear case through the grease hole every around 30 working hours.

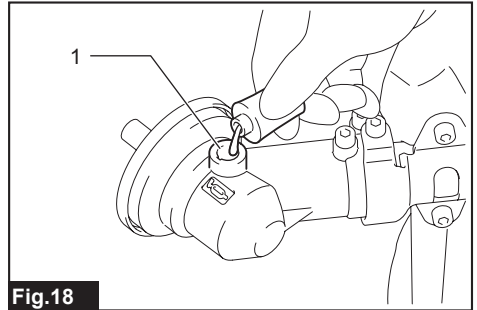


Fig.18

► 1. Grease hole

Drive axle:

Apply grease (Shell Alvania 2 or equivalent) to the drive axle every around 30 working hours.

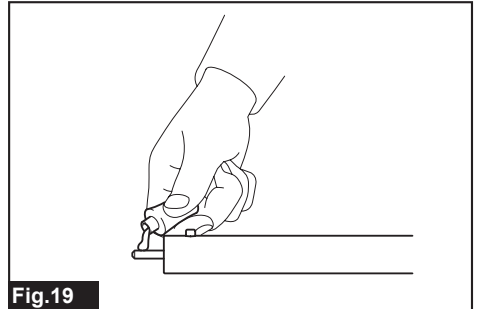


Fig.19

NOTE: Genuine Makita grease may be purchased from your local Makita dealer.

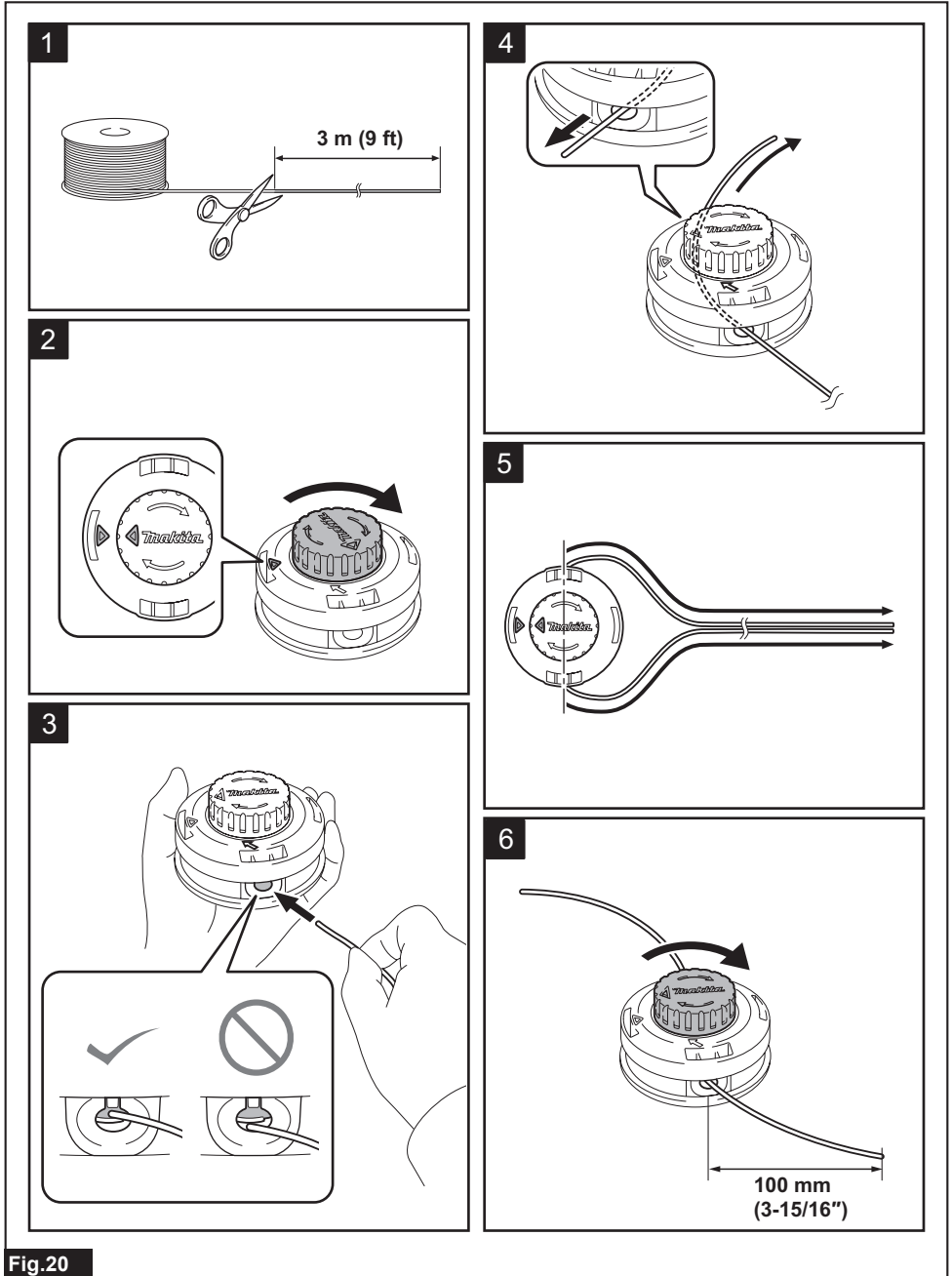


Fig.20

Replacing the plastic blade

For EM403MP and EM404MP

Replace the blade if it is worn out or broken.

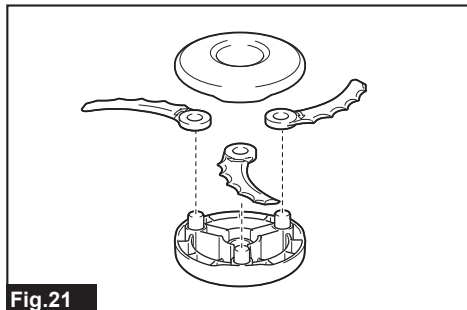


Fig.21

When installing the plastic blade, align the direction of the arrow on the blade with that of the protector.

Storage

⚠WARNING: Follow the warnings and precautions in the chapter “SAFETY WARNINGS” and the instruction manual of the power unit.

When storing the brushcutter attachment separated from the power unit, put the cap onto the end of the shaft.

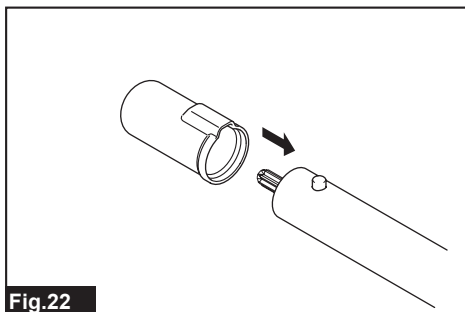


Fig.22

Interval of inspection and maintenance

Operating hour		Before Operation	Daily (10h)	30h
Whole unit	Visually inspect for damaged parts	✓	-	-
All fixing screws and nuts	Tighten	✓	-	-
Gear case	Supply grease	-	-	✓
Drive axle	Supply grease	-	-	✓
Cutter blade	Visually inspect for damage	✓	✓	-
Power unit	Refer to the instruction manual of the power unit			

To maintain product SAFETY and RELIABILITY, repairs, any other maintenance or adjustment should be performed by Makita Authorized or Factory Service Centers, always using Makita replacement parts.

TROUBLESHOOTING

Before asking for repairs, conduct your own inspection first. If you find a problem that is not explained in the manual, do not attempt to dismantle the machine. Instead, ask Makita Authorized Service Centers, always using Makita replacement parts for repairs.

State of abnormality	Probable cause (malfunction)	Remedy
Motor does not start.	-	Refer to the instruction manual of the power unit.
Motor stops soon.	-	Refer to the instruction manual of the power unit.
Motor speed does not increase.	-	Refer to the instruction manual of the power unit.
Cutting tool does not rotate. ⇒ Stop the motor immediately.	Loose attachment of the cutting tool	Tighten securely.
	Cutting tool caught a twig.	Remove foreign matter
	Abnormal drive system	Contact an authorized service center for repairs.
Main unit vibrates abnormally. ⇒ Stop the motor immediately.	Broken, bent or worn cutting tool	Replace the cutting tool.
	Loose attachment of the cutting tool	Tighten securely.
	One end of nylon cutting cord has been broken and the nylon cutting head got unbalanced.	Feed the nylon cutting cord with tapping the nylon cutting head on the ground.
	Irregular attachment of cutting tool	Attach properly.
	Abnormal drive system	Contact an authorized service center for repairs.
Cutter blade does not stop immediately. ⇒ Stop the motor immediately.	The power unit does not work properly.	Refer to the instruction manual of the power unit.
The nylon cutting cord does not feed.	The cord is used up or tangled in the spool.	Rewind the cord.
The nylon cutting cord is not cut off at the correct length.	The cord cutter on the protector is damaged or missing.	Contact an authorized service center for repairs.
	The cord extends past the protector.	Rewind the cord.

TABLE DES MATIÈRES

SPÉCIFICATIONS	17	UTILISATION	28
CONSIGNES DE SÉCURITÉ	18	ENTRETIEN	29
DESCRIPTION DES PIÈCES	23	DÉPANNAGE	33
ASSEMBLAGE	23		

SPÉCIFICATIONS

Modèle :		EM403MP	EM404MP	EM405MP	EM406MP
Dimensions : longueur x largeur x hauteur (sans outil de coupe)		876 mm x 392 mm x 225 mm (34-1/2" x 15-1/2" x 8-7/8")		876 mm x 187 mm x 232 mm (34-1/2" x 7-3/8" x 9-1/8")	
Poids net		1,5 kg (3,3 lbs)		1,3 kg (2,8 lbs)	
Diamètre du fil de nylon		2,0 - 2,3 mm (0,08 - 0,09")			
Diamètre de coupe	Lame de métal ⚠ MISE EN GARDE : Aux États-Unis et au Canada, les lames de métal ne peuvent pas être utilisées avec DUX60 ou XUX01 en raison des réglementations.	230 mm (9")		-	
	Tête à fils de nylon	420 mm (16,5")			
	Lame en plastique * Aux États-Unis et au Canada, la lame en plastique ne peut être utilisée qu'en combinaison avec EX2650LH.	255 mm (10")		-	
Rapport de transmission		14:19	13:21	14:19	13:21

- Étant donné l'évolution constante de notre programme de recherche et de développement, les spécifications contenues dans ce manuel sont sujettes à modification sans préavis.
- Les spécifications peuvent varier suivant les pays.
- Poids selon la procédure EPTA 01/2014
- Aux États-Unis et au Canada, EM403MP et EM404MP ne comprennent pas de lame de métal, d'écrou, de coupelle ou de rondelle de serrage.

Unité d'alimentation approuvée

- Moteur Multi-Fonctions EX2650LH
- Moteur Multi-Fonctions Sans Fil DUX60, XUX01, UX01G, GUX01

⚠ MISE EN GARDE : N'utilisez jamais la fixation avec une unité d'alimentation non approuvée. Une combinaison non approuvée peut entraîner une grave blessure.

Symboles

Les symboles suivants sont utilisés sur la fixation et dans ce manuel d'instructions. Vous devez comprendre ces définitions.



Soyez tout particulièrement prudent et attentif !



Lisez le manuel d'instructions.



Portez un casque de protection et des protections pour les yeux et pour les oreilles !



Le port de gants protecteurs est obligatoire !



Portez des chaussures robustes à semelle antidérapante. Les bottes de sécurité à embout d'acier sont recommandées !



Ne laissez pas approcher les personnes présentes à moins de 15 m (50 pi).



Risque de projection d'objets !



Recul !



Vitesse maximale admissible de l'outil



Pour EM405MP et EM406MP uniquement
N'utilisez jamais une lame de métal.

CONSIGNES DE SÉCURITÉ

Mises en garde de sécurité pour débroussailleuse thermique

⚠ MISE EN GARDE : Lisez toutes les mises en garde de sécurité, instructions, illustrations et spécifications qui accompagnent cette machine. Il y a risque d'incendie et/ou de grave blessure à l'utilisateur ou aux personnes présentes si les instructions ci-dessous ne sont pas toutes respectées.

Conservez toutes les mises en garde et instructions pour référence future.

Les termes « débroussailleuse » et « machine », dans les mises en garde et précautions, font référence à la combinaison de la fixation et de l'unité d'alimentation.

Le terme « moteur », dans les mises en garde et précautions, fait référence au moteur ou au moteur électrique de l'unité d'alimentation.

Sécurité générale

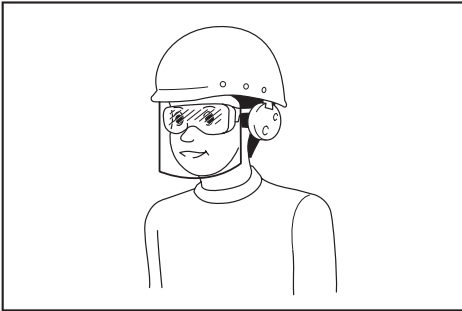
1. **Les nouveaux utilisateurs et les utilisateurs inexpérimentés doivent demander au détaillant de les initier à toutes les commandes de cette machine. Ne laissez jamais les enfants, les personnes aux facultés physiques, sensorielles ou mentales réduites, les personnes dont l'expérience ou les connaissances sont insuffisantes ou les personnes non familiarisées avec les instructions utiliser cette machine.**
2. **Il est recommandé de ne prêter la machine qu'à des personnes ayant démontré leur expérience. Remettez-leur toujours le manuel d'instructions.**
3. **Restez alerte, attentif à vos mouvements et faites preuve de bon sens lorsque vous utilisez la machine. N'utilisez pas la machine si vous êtes fatigué, malade ou avez pris une drogue, de l'alcool ou un médicament.** Un moment d'inattention pendant l'utilisation de la machine peut entraîner une grave blessure.
4. **Éviter d'utiliser la machine sous de mauvaises conditions météo, et tout spécialement lorsqu'il y a risque de foudre.**
5. **Respectez la réglementation nationale et locale sur l'utilisation des machines électriques pour l'extérieur.**

Usage spécifique de la machine

Cette machine est conçue uniquement pour couper l'herbe, les mauvaises herbes, les buissons et les broussailles. N'utilisez jamais la machine à d'autres fins, comme pour le dressage de bordures ou pour tailler les haies. L'utilisation à des fins autres que celles spécifiées peut entraîner une grave blessure.

Équipement de protection personnel

1. Portez toujours un pantalon épais et long, des chaussures robustes, des gants et une chemise à manches longues. Ne portez pas de vêtements amples, bijoux, culotte courte ou sandales, et ne travaillez pas pieds nus. Rassemblez les cheveux au-dessus de la hauteur des épaules.
2. Portez toujours un casque s'il y a un risque de chute d'objets.
3. Portez toujours des lunettes à coques de protection pour protéger vos yeux contre les blessures lorsque vous utilisez la machine. Les lunettes à coques de protection doivent être conformes à ANSI Z87.1 aux États-Unis, à EN 166 en Europe, ou à AS/NZS 1336 en Australie/Nouvelle-Zélande. En Australie/Nouvelle-Zélande, la loi exige également de porter un écran facial pour se protéger le visage.



L'employeur a la responsabilité d'imposer l'utilisation d'équipements de protection de sécurité adéquats aux utilisateurs des outils et à toute autre personne se trouvant dans la zone de travail immédiate.

4. Portez un protège-oreilles ou autres protections pour les oreilles. L'exposition au bruit peut entraîner des lésions de l'ouïe.
5. Portez toujours des chaussures robustes à semelle antidérapante. Cela protégera vos pieds contre les blessures et vous assurera une bonne stabilité.
6. Portez un masque antipoussières si nécessaire.

Préparatifs avant l'utilisation

1. Avant l'utilisation, vérifiez toujours que la machine est sécuritaire :
 - Vérifiez s'il y a des fuites de carburant.
 - Assurez-vous que toutes les fixations sont en place et bien serrées.
 - Remplacez les pièces endommagées.
 - Assurez-vous que l'outil de coupe est bien posé et fermement serré.
 - Assurez-vous que le protecteur de l'outil tranchant est fixé adéquatement à la position indiquée dans ce manuel.
 - Vérifiez le fonctionnement fluide et adéquat de la gâchette d'accélérateur, du levier de sécurité et autres commutateurs de commande.
 - Nettoyez les poignées pour vous assurer d'une bonne maîtrise de la machine.
 - Assurez-vous que les poignées sont posées tel qu'indiqué dans ce manuel.

L'ignorance de ces instructions peut entraîner une grave blessure.

2. Utilisez une lame bien affûtée. Jetez les lames gauchies, tordues, fissurées, cassées, ébréchées ou endommagées de quelque façon que ce soit. Une lame éméchée risque davantage d'accrocher et de provoquer un recul.
3. Utilisez toujours toutes les pièces requises pour fixer la lame adéquatement. Si les pièces sont mal fixées, la lame peut être projetée et blesser grièvement l'utilisateur et/ou les personnes présentes.

Ravitaillement en carburant

1. Coupez le moteur avant d'effectuer le ravitaillement en carburant. Restez à l'écart des flammes nues et des étincelles. Ne fumez jamais en effectuant le ravitaillement en carburant. Autrement, cela peut entraîner un incendie et/ou une explosion.
2. Effectuez le ravitaillement en carburant à l'extérieur. Le ravitaillement en carburant dans une pièce fermée peut entraîner l'explosion des vapeurs de carburant.
3. Évitez de toucher le carburant ou l'huile à moteur. Ne respirez pas les vapeurs de carburant. Si vous renversez du carburant ou de l'huile, essuyez immédiatement la machine et/ou le sol. Si du carburant est renversé sur vos vêtements, changez-vous immédiatement pour éviter qu'ils ne prennent feu.

4. **Après le ravitaillement en carburant, serrez soigneusement le bouchon du réservoir à carburant et vérifiez s'il y a des fuites de carburant. Avant de faire démarrer le moteur, déplacez-vous à au moins 3 m (10 pieds) de la source et du lieu de ravitaillement.**
5. **Ne transportez et ne rangez le carburant que dans des contenants approuvés. Gardez les enfants à l'écart du carburant rangé.**

Démarrage de la débroussailleuse thermique

1. **Gardez les enfants, autres personnes présentes et animaux domestiques à au moins 15 m (50 pieds) lorsque vous démarrez ou utilisez la machine. De plus, les personnes présentes doivent porter une protection pour les yeux, car il y a toujours un risque de blessure au contact d'objets projetés.** Autrement, les gestes inattendus des personnes présentes ou le recul de la lame peuvent blesser grièvement l'utilisateur et/ou les personnes présentes.
2. **Ne démarrez et n'utilisez la machine qu'à l'extérieur, dans un emplacement bien aéré.** L'utilisation dans un emplacement confiné ou mal aéré peut entraîner le décès par asphyxie ou l'intoxication par le monoxyde de carbone.
3. **Avant le démarrage, veillez à ce que l'outil de coupe ne touche pas d'objets durs tels que des branches, des pierres, etc., car l'outil de coupe tournera au moment du démarrage.**
4. **Si l'outil de coupe tourne lorsque le moteur est au ralenti, réglez la vitesse de ralenti de sorte que l'outil de coupe s'arrête.** Autrement, le contact accidentel avec l'outil de coupe en mouvement peut entraîner une grave blessure.
5. **Coupez immédiatement le moteur si vous constatez toute défectuosité.**

Transport

1. **Coupez le moteur pendant le transport.** Autrement, un démarrage accidentel pourrait entraîner une blessure.
2. **Lorsque vous transportez la machine, fixez toujours le couvre-lame à la lame.** Le contact avec les lames nues entraîne des blessures.
3. **Assurez-vous que la machine est placée de manière sécuritaire lors de son transport par véhicule, pour éviter les fuites de carburant.**

4. **Lorsque vous transportez la machine, soulevez-la complètement du sol.** Traîner la machine peut endommager le réservoir à carburant et provoquer une fuite de carburant qui risque d'entraîner un incendie.

Utilisation

1. **Utilisez la machine seulement avec un bon éclairage et dans de bonnes conditions de visibilité.** L'utilisation dans les emplacements sombres ou à faible visibilité peut entraîner un accident inattendu.
2. **Évitez d'utiliser la machine lorsque vous pouvez difficilement rester en équilibre, par exemple lorsque vous travaillez sur une surface à pente abrupte ou par une journée venteuse.**
3. **En hiver, faites attention aux sols glissants, aux emplacements mouillés, à la glace et à la neige pour éviter de glisser.**
4. **Si quelqu'un s'approche de vous, coupez le moteur.** Autrement, l'outil de coupe en rotation pourrait heurter les personnes présentes et entraîner une grave blessure.
5. **Avant l'utilisation, nettoyez la zone de travail. Enlevez tous les objets tels que pierres, verre cassé, clous, câbles ou ficelles, car ils peuvent être projetés ou s'enchevêtrer dans l'accessoire de coupe.** Les corps étrangers peuvent endommager l'outil de coupe et entraîner un dangereux recul.
6. **Pour garder la maîtrise de la machine en tout temps, procédez comme suit pendant l'utilisation :**
 - **Tenez la machine fermement à deux mains, de votre côté droit.**
 - **Accrochez la machine à votre/ vos épaule(s) à l'aide de la sangle d'épaule.**
 - **Assurez-vous d'une bonne prise au sol. Ne travaillez jamais sur une échelle ou dans un arbre.**
 - **Évitez de trop tendre les bras.**
 - **Gardez l'outil de coupe plus bas que votre taille.**
 - **Gardez toutes les parties du corps à l'écart de l'outil de coupe en rotation et de la surface chaude.**
Cela réduira le risque de blessure.
7. **Si des mauvaises herbes ou des branches se coincent entre l'outil de coupe et le protecteur, coupez toujours le moteur avant de les enlever.** Autrement, la rotation accidentelle de la lame peut entraîner une grave blessure.

8. **Sauf en cas d'urgence, ne laissez jamais tomber et ne lancez jamais la machine. Si la machine tombe ou heurte quelque chose, vérifiez immédiatement l'absence de fuites de carburant, les dispositifs de sécurité et l'absence de tout dommage.** L'utilisation d'une machine défectueuse peut entraîner une blessure et/ou un incendie.
 9. **Inspectez l'outil de coupe fréquemment ou immédiatement après qu'il a heurté une pierre ou autre objet dur.** Si l'outil de coupe se casse pendant l'utilisation, la partie cassée peut être projetée et entraîner une blessure.
 10. **Coupez le moteur lorsque vous inspectez, nettoyez ou remplacez l'outil de coupe.** Autrement, l'outil de coupe pourrait se mettre à tourner de manière inattendue et entraîner une grave blessure.
 11. **Lorsque vous coupez le moteur ou libérez la gâchette d'accélérateur, gardez une bonne maîtrise de la machine jusqu'à ce que l'outil de coupe s'arrête complètement.** Une lame qui continue de tourner librement peut entraîner une blessure.
 12. **Avant de commencer la coupe, attendez que l'outil de coupe ait atteint une vitesse suffisante pour couper.** Cela réduit le risque de recul et d'enchevêtrement des mauvaises herbes.
 13. **En cas de fatigue, prenez une pause pour éviter de perdre le contrôle de l'outil.** Il est recommandé de prendre une pause de 10 à 20 minutes toutes les heures.
 14. **Lorsque vous faites une pause ou abandonnez la machine, coupez le moteur et mettez la machine dans un emplacement sûr.** Cela prévient les accidents inattendus.
 15. **Ne touchez ni le moteur ni son silencieux, et ne les mettez pas sur des matériaux inflammables pendant que le moteur tourne ou vient tout juste de s'arrêter, car ils sont encore chauds.** Cela peut entraîner une brûlure et/ou un incendie.
2. **Dans le cas des têtes à fils de nylon, utilisez uniquement celles de type flexible et non métallique recommandées dans ce manuel. N'utilisez jamais un fil de fer ou un câble métallique.** Ils peuvent se rompre et devenir de dangereux projectiles.
 3. **N'utilisez jamais de chaîne pivotante multi-pièces en métal, de lame-fléau ni aucune autre lame non recommandée dans ce manuel.** Autrement, il y a risque de grave blessure.
 4. **Lorsque vous manipulez la lame de métal, portez toujours des gants et mettez le couvre-lame sur la lame.** La lame peut couper les mains nues.
 5. **Lorsque vous utilisez des lames de métal, évitez le recul et soyez toujours prêt à réagir en cas de recul accidentel.** Consultez la section *Recul*.

Recul (effet de rebond de la lame)

Un recul (effet de rebond de la lame) peut survenir lorsque la lame en rotation touche un objet qu'elle ne peut pas couper immédiatement. Il peut être assez violent pour propulser la machine et/ou l'utilisateur dans toute direction, et l'utilisateur risque alors de perdre la maîtrise de la machine et de subir une grave blessure. Un recul peut survenir soudainement si la lame accroche, se bloque ou se coince, et il risque davantage de survenir là où il est difficile de voir le matériau que l'on est en train de couper.

Le recul survient tout particulièrement lorsque le segment de la lame situé entre 12 et 2 heures est appliqué contre les objets solides, les buissons ou les arbres d'un diamètre de 3 cm ou plus.

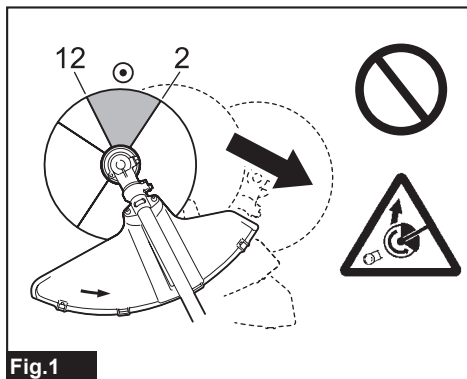


Fig.1

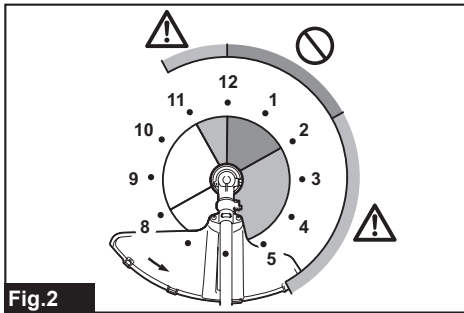
Outils de coupe

1. **Utilisez un outil de coupe qui convient au travail à effectuer.**
 - Les têtes de nylon (têtes à fils de taille-bordures) sont adéquates pour tailler le gazon.
 - Les lames de métal sont adéquates pour couper les mauvaises herbes, les hautes herbes, les buissons, les arbustes, les sous-bois, les fourrés, etc.

Utilisez toujours le protecteur d'outil de coupe qui convient à l'outil de coupe utilisé.

Pour éviter le recul :

1. Appliquez le segment de la lame qui se trouve entre 8 et 11 heures.
2. Balayez l'outil uniformément sur un demi-cercle de droite à gauche, comme si vous utilisiez une faux. Cela permet au bon segment de la lame d'entrer en contact avec les plantes à couper.
3. N'appliquez jamais le segment qui se trouve entre 12 et 2 heures.
4. N'appliquez jamais les segments qui se trouvent entre 11 et 12 heures et entre 2 et 5 heures, à moins d'avoir été bien formé et d'être expérimenté, et sachez que vous le faites à vos propres risques.



5. N'utilisez jamais les lames près des objets solides tels que clôtures, murs, troncs d'arbre et pierres.
6. N'utilisez jamais les lames verticalement, pour les travaux tels que le dressage de bordures ou la taille des haies.
7. Évitez d'utiliser l'outil là où il est difficile de voir l'objet que vous êtes en train de couper.

Vibrations

L'exposition à des vibrations excessives peut affecter les vaisseaux sanguins ou le système nerveux de l'utilisateur, et entraîner les symptômes suivants aux doigts, aux mains ou aux poignets : Somnolence (engourdissement), picotement, douleur, douleur lancinante, altération de la couleur de la peau ou de la peau elle-même. Si l'un ou l'autre de ces symptômes se manifeste, consultez un médecin.

Pour réduire le risque de « maladie du doigt mort », gardez les mains au chaud pendant l'utilisation et entretenez bien la machine et les accessoires.

Entretien

1. Faites réparer votre machine par notre centre de service après-vente agréé avec des pièces de rechange identiques. Utilisez uniquement des pièces de rechange et accessoires identiques fournis par MAKITA. Une réparation inadéquate et le mauvais entretien peuvent raccourcir la durée de service de la machine et accroître les risques d'accident.
2. Ne modifiez et ne retirez jamais les composants de la machine. Cela peut entraîner un incendie et/ou une grave blessure.
3. Après l'utilisation, nettoyez la machine et vérifiez que toutes les vis et tous les écrous sont bien serrés.
4. Vérifiez l'état de l'outil de coupe, du protecteur de l'outil de coupe et de la sangle d'épaule. La lame doit être bien affûtée. Ne redressez et ne soudez jamais les outils de coupe endommagés.

Autres instructions

1. Rangez toujours la machine dans une pièce verrouillée, avec le réservoir à carburant vidé.
2. Respectez l'environnement. Évitez d'utiliser inutilement l'accélérateur, pour générer moins de pollution et émettre moins de bruit. Réglez bien le carburateur.
3. Ne faites pas tourner le moteur si le silencieux d'échappement est défectueux.

Premiers soins

1. Veillez à toujours disposer d'une trousse de premiers soins à proximité du travail de coupe, en cas d'accident. Remplacez immédiatement tout élément utilisé de la trousse de premiers soins.
2. Lorsque vous demandez de l'aide, donnez les renseignements suivants :
 - Lieu de l'accident
 - Ce qui s'est produit
 - Nombre de blessés
 - Types de blessure
 - Votre nom

Consignes de sécurité additionnelles

1. Pour éviter les accidents, laissez plus de 15 m (50 ft) de distance entre les utilisateurs lorsqu'il y a deux utilisateurs ou plus dans une même zone de travail. Affectez également quelqu'un à la surveillance de la distance entre les utilisateurs. Si quelqu'un ou un animal entre dans la zone de travail, cessez immédiatement l'utilisation.
2. Utilisez uniquement les outils de coupe dont la vitesse indiquée est égale ou supérieure à celle indiquée sur l'outil.
3. Avant l'utilisation, veillez à retirer le couvercle de la lame.

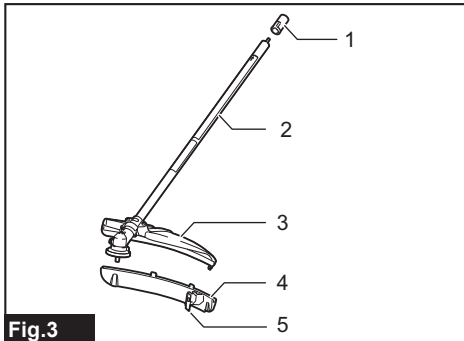
⚠ MISE EN GARDE : L'utilisation de ce produit peut générer des poussières contenant des substances chimiques, lesquelles peuvent causer des problèmes respiratoires ou autres maladies. Parmi ces substances chimiques figurent les composés que l'on retrouve dans les pesticides, insecticides, fertilisants et herbicides.

Les risques liés à l'exposition varient suivant la fréquence d'exécution du type de travail en question. Pour réduire votre exposition à ces substances chimiques : travaillez dans un emplacement bien aéré et avec des dispositifs de sécurité approuvés, tels que les masques antipoussières spécialement conçus pour filtrer les particules microscopiques.

CONSERVEZ CE MODE D'EMPLOI.

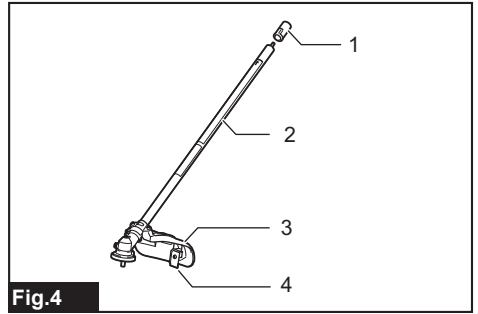
DESCRIPTION DES PIÈCES

EM403MP, EM404MP



- 1. Capuchon 2. Tube 3. Protecteur (de type universel) 4. Rallonge de protecteur 5. Couteau

EM405MP, EM406MP



- 1. Capuchon 2. Tube 3. Protecteur (de type étroit) 4. Couteau

ASSEMBLAGE

⚠ MISE EN GARDE : Avant d'assembler ou de régler l'équipement, coupez le moteur et retirez le capuchon de bougie d'allumage ou la batterie. Autrement, l'outil de coupe ou d'autres pièces pourraient se déplacer et entraîner une grave blessure.





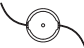

⚠ MISE EN GARDE : Avant de manipuler la lame, enfiler des gants protecteurs. Pendant l'assemblage ou le réglage, vous risquez une blessure aux doigts s'ils entrent en contact avec la lame.

⚠ MISE EN GARDE : Déposez toujours l'équipement avant de l'assembler ou de le régler. Assembler ou régler l'équipement en le laissant debout peut entraîner une grave blessure.

⚠ MISE EN GARDE : Respectez les mises en garde et prenez les précautions du chapitre « CONSIGNES DE SÉCURITÉ » et du manuel d'instructions de l'unité d'alimentation.

Combinaison adéquate d'outil de coupe et de protecteur

⚠ ATTENTION : Utilisez toujours la combinaison adéquate d'outil de coupe et de protecteur. Un protecteur inadéquat risque de ne pas vous protéger contre les projections de débris et de pierres. Cela peut également affecter l'équilibre de l'outil et entraîner une grave blessure.

Modèle	Outil de coupe	Protecteur
EM403MP EM404MP	Lame de métal (spécifique au pays) (avec écrou, coupelle et rondelle de serrage) 	Protecteur (universel) 
	Tête à fils de nylon / lame en plastique (selon le pays) * Aux États-Unis et au Canada, la lame en plastique ne peut être utilisée qu'en combinaison avec EX2650LH. 	Protecteur (universel) avec rallonge de protecteur 
EM405MP EM406MP	Tête à fils de nylon 	Protecteur (étroit) 

Pose du protecteur (garde d'outil de coupe)

⚠ MISE EN GARDE : N'utilisez jamais un outil de coupe sans protecteur adéquat.

⚠ MISE EN GARDE : Utilisez toujours la combinaison adéquate d'outil de coupe et de protecteur. Autrement, le contact avec l'outil de coupe peut entraîner une grave blessure.

AVIS : Serrez régulièrement les boulons sur le protecteur. Serrez uniformément les boulons gauche et droit, de sorte que la distance soit constante entre le collier et le protecteur.

Fixez le protecteur au collier à l'aide de boulons.

Protecteur (de type universel)

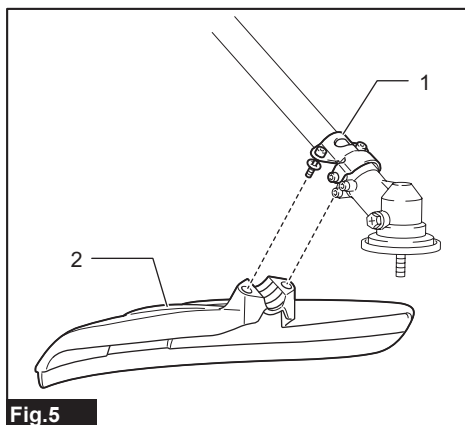


Fig.5

► 1. Collier 2. Protecteur

Protecteur (de type étroit)

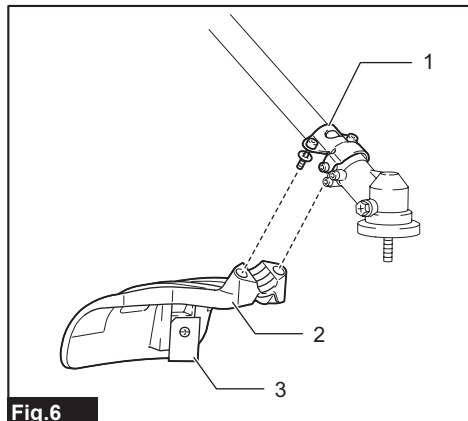


Fig.6

► 1. Collier 2. Protecteur 3. Couteau

ATTENTION : Prenez garde de vous blesser au contact du couteau monté sur le protecteur.

NOTE : Le couteau du protecteur garde le fil de nylon à la longueur idéale pour la coupe.

Pour EM403MP et EM404MP

Pour poser la rallonge de protecteur, insérez-la sur le protecteur puis fermez les attaches. Assurez-vous que les languettes de la rallonge de protecteur pénètrent dans les fentes du protecteur.

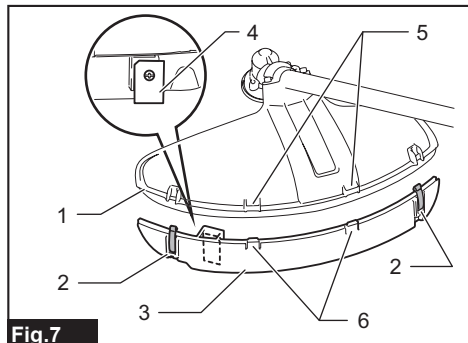


Fig.7

► 1. Protecteur (de type universel) 2. Attache 3. Rallonge de protecteur 4. Couteau (face intérieure) 5. Fente 6. Languette

Pour retirer la rallonge de protecteur, ouvrez les attaches et tirez sur la rallonge de protecteur.

ATTENTION : Veillez à enfoncer la rallonge de protecteur jusqu'à ce qu'elle soit insérée à fond. Autrement la rallonge de protecteur risque de tomber et d'entraîner une blessure.

ATTENTION : Prenez garde de vous blesser au contact du couteau monté sur la rallonge de protecteur.

NOTE : Le couteau de la rallonge de protecteur garde le fil de nylon à la longueur idéale pour la coupe.

Pose de l'outil de coupe

ATTENTION : Assurez-vous d'utiliser des outils de coupe MAKITA authentiques.

ATTENTION : Pensez à retirer la clé hexagonale après la pose.

NOTE : Lors de la pose de l'outil de coupe, retournez l'outil sur lui-même pour faciliter la procédure.

Pose de la lame de métal

Pour EM403MP et EM404MP (accessoire en option aux États-Unis et au Canada)

ATTENTION : Lorsque vous manipulez la lame de métal, portez toujours des gants et mettez le couvre-lame sur la lame.

ATTENTION : Le diamètre extérieur de la lame de métal doit être de 230 mm (9"). N'utilisez jamais de lames dont le diamètre extérieur est supérieur à 230 mm (9").

ATTENTION : La lame de métal doit être bien polie et exempte de fissures ou cassures. Si la lame de métal heurte une pierre pendant l'utilisation, coupez le moteur et vérifiez immédiatement la lame.

ATTENTION : Polissez ou remplacez la lame de métal toutes les trois heures d'utilisation.

ATTENTION : Utilisez toujours les clés fournies pour retirer ou poser la lame.

Lame applicable

Lame de métal (2 dents)



Lame de métal (3 dents)



Lame de métal (4 dents)



Lame de métal (8 dents)



1. Insérez la rondelle d'appui dans l'arbre.
2. Insérez la clé hexagonale dans l'orifice de la boîte d'engrenage pour verrouiller l'arbre. Tournez l'arbre jusqu'à ce que la clé hexagonale soit insérée à fond.
3. Montez la lame de métal sur la rondelle d'appui.
4. Posez la rondelle de serrage et la coupelle, puis serrez l'écrou fermement. Couple de serrage : 16 - 23 N•m
5. Retirez la clé hexagonale.

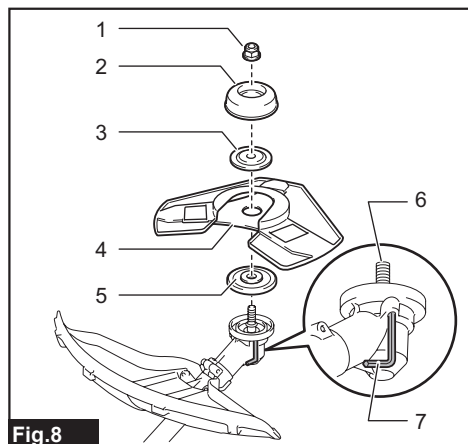


Fig.8

- 1. Écrou 2. Coupelle 3. Rondelle de serrage 4. Lame de métal 5. Rondelle d'appui 6. Arbre 7. Clé hexagonale

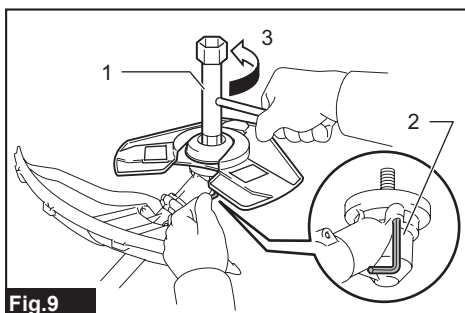


Fig.9

- 1. Clé à douille 2. Clé hexagonale 3. Serrer

Assurez-vous que les flèches de la lame et du protecteur pointent dans le même sens.

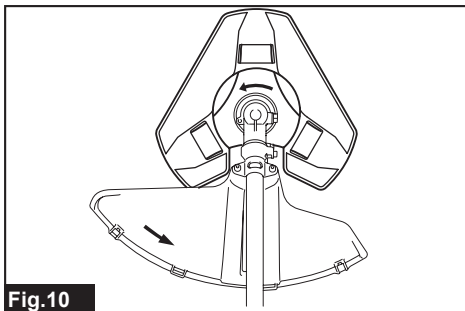


Fig.10

Pour retirer la lame de métal, suivez les étapes de l'installation en sens inverse.

NOTE : La partie résineuse de l'écrou de serrage de la lame s'use avec le temps. Remplacez l'écrou s'il présente tout signe d'usure ou de déformation.

Pose de la tête à fils de nylon

ATTENTION : Si la tête à fils de nylon heurte une pierre pendant l'utilisation, coupez le moteur et vérifiez la tête à fils de nylon immédiatement.

1. Mettez la rondelle d'appui sur l'arbre.
2. Insérez la clé hexagonale dans l'orifice de la boîte d'engrenage.
3. Vissez la tête à fils de nylon sur l'arbre.

- Après avoir posé la tête à fils de nylon, retirez la clé hexagonale.

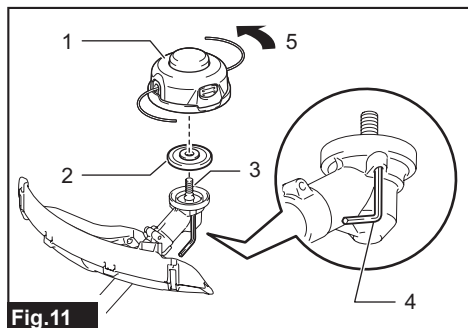


Fig.11

- 1. Tête à fils de nylon 2. Rondelle d'appui
3. Arbre 4. Clé hexagonale 5. Serrer

Pose de la lame en plastique

Pour EM403MP et EM404MP (accessoire en option)

ATTENTION : Si la lame en plastique heurte accidentellement une pierre ou un objet dur pendant l'exécution du travail, arrêtez l'outil et vérifiez l'absence de dommage. Si la lame en plastique est endommagée, remplacez-la immédiatement.

L'utilisation d'un outil de coupe endommagé peut provoquer de graves blessures.

ATTENTION : Pensez à retirer la clé hexagonale après la pose.

AVIS : Veillez à utiliser une authentique lame en plastique Makita.

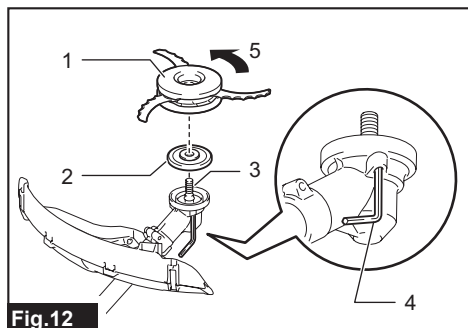


Fig.12

- 1. lame en plastique 2. Rondelle d'appui
3. Arbre 4. Clé hexagonale 5. Serrer

- Mettez la rondelle d'appui sur l'arbre.
- Insérez la clé hexagonale dans l'orifice de la boîte d'engrenage et tournez l'axe jusqu'à ce qu'il se verrouille.
- Placez la lame en plastique directement sur l'axe fileté et serrez.

- Retirez la clé hexagonale.

Pour retirer la lame en plastique, tournez-la dans le sens des aiguilles d'une montre tout en tenant la rondelle d'appui à l'aide de la clé hexagonale.

Montage du tube de fixation

ATTENTION : Après la pose, assurez-vous toujours que le tube de fixation est bien fixé. En cas de pose incorrecte, la fixation risque de se détacher de l'unité d'alimentation et d'entraîner une blessure.

Montez le tube de fixation sur le groupe moteur.

- Tournez le levier de l'unité d'alimentation du côté de la fixation.

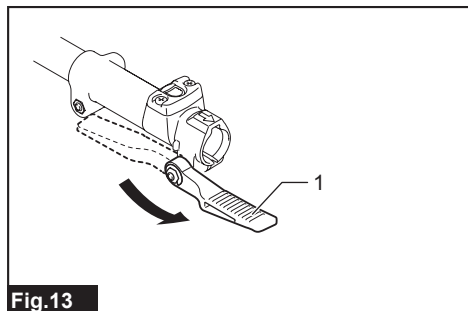


Fig.13

- 1. Levier

- Retirez le capuchon de la fixation. Alignez la broche sur la marque de flèche et insérez le tube de fixation jusqu'à ce que le bouton de libération surgisse.

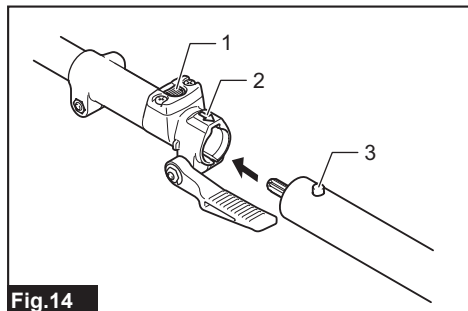


Fig.14

- 1. Bouton de libération 2. Marque de flèche
3. Broche

3. Tournez le levier du côté de l'unité d'alimentation.

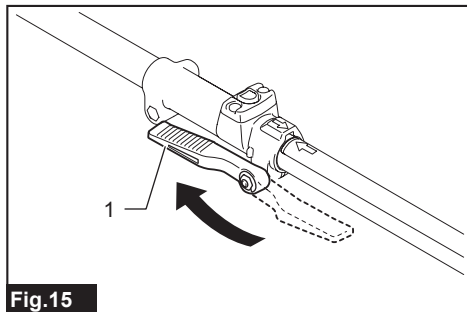


Fig. 15

► 1. Levier

Assurez-vous que la surface du levier est parallèle au tube.

Pour retirer le tube, tournez le levier du côté de la fixation et tirez sur le tube tout en enfonçant le bouton de libération.

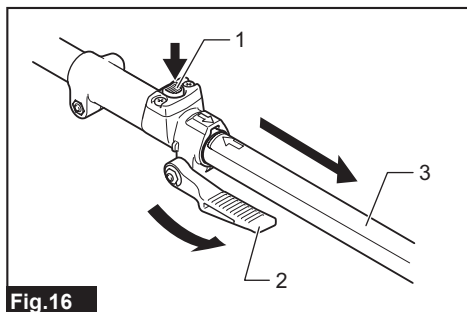


Fig. 16

► 1. Bouton de libération 2. Levier 3. Tube

UTILISATION

MISE EN GARDE : Respectez les mises en garde et prenez les précautions du chapitre « CONSIGNES DE SÉCURITÉ » et du manuel d'instructions de l'unité d'alimentation.

MISE EN GARDE : Si l'outil de coupe bouge pendant que la machine tourne au ralenti, réduisez la vitesse de ralenti du moteur. Autrement, vous ne pourrez pas arrêter l'outil de coupe en désactivant l'accélérateur, ce qui pourrait entraîner une grave blessure.

Réglage de la position de l'attache et de la sangle d'épaule

MISE EN GARDE : N'utilisez pas l'outil s'il n'est pas possible d'ajuster la position de l'attache et la longueur de la sangle d'épaule à l'intérieur de la plage de réglage illustrée. Utiliser l'outil avec un poids mal équilibré peut entraîner l'outil de coupe vers le haut et entraîner une blessure.

Lorsque vous remplacez un accessoire par un autre, cela peut modifier l'équilibre du poids de l'équipement. Le cas échéant, réglez la position de l'attache et la longueur de la sangle d'épaule comme suit.

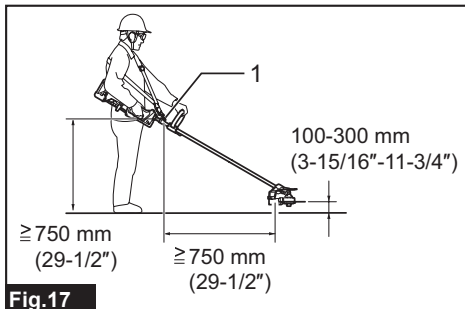


Fig. 17

► 1. Attache

Pour modifier la position de l'attache, desserrez la vis de fixation sur l'attache, puis déplacez l'attache (A).

Réglez la position de l'attache et la longueur de la sangle d'épaule de sorte que :

- l'attache se trouve à une hauteur de 750 mm (29-1/2") ou plus par rapport au sol,
- l'outil de coupe se trouve à une hauteur de 100 mm (3-15/16") à 300 mm (11-3/4") par rapport au sol, et
- la partie non protégée de l'outil de coupe est à une distance de 750 mm (29-1/2") ou plus, horizontalement, de l'attache.

Après avoir réglé la position de l'attache, serrez fermement la vis à l'aide d'une clé ou d'un tournevis (suivant l'unité d'alimentation).

Utilisation d'une tête à fils de nylon

Pendant l'utilisation, effectuez la coupe au moyen de l'extrémité du fil de coupe en nylon. À mesure que le fil de coupe en nylon s'use et raccourcit pendant la coupe, l'utilisateur doit alimenter la machine en fil de nylon manuellement. Pour alimenter la machine en fil de coupe en nylon, tapez la tête à fils de nylon contre le sol pendant qu'elle tourne à environ 6 000 /min.

NOTE : Si l'alimentation en fil de coupe en nylon ne s'effectue pas, rembobinez-le. Reportez-vous au chapitre « ENTRETIEN ».

ENTRETIEN

⚠ MISE EN GARDE : Avant de procéder à l'inspection ou à l'entretien de l'équipement, coupez le moteur et retirez le capuchon de bougie d'allumage ou la batterie.

Autrement, l'outil de coupe ou d'autres pièces pourraient se déplacer et entraîner une grave blessure.

⚠ MISE EN GARDE : Déposez toujours l'équipement avant de procéder à l'inspection ou l'entretien. Assembler ou régler l'équipement en le laissant debout peut entraîner une grave blessure.

⚠ MISE EN GARDE : Respectez les mises en garde et prenez les précautions du chapitre « CONSIGNES DE SÉCURITÉ » et du manuel d'instructions de l'unité d'alimentation.

AVIS : N'utilisez jamais d'essence, de benzine, de solvant, d'alcool ou autres produits similaires. Une décoloration, une déformation ou la formation de fissures peuvent en découler.

Inspection générale

- Serrez les boulons, écrous et vis desserrés.
- Vérifiez l'absence de pièces ou lames endommagées. Si nécessaire, demandez à un centre de service après-vente agréé de les remplacer.

Réaffûtage de l'outil de coupe

⚠ MISE EN GARDE : Ne réaffûtez pas les lames vous-même. En déséquilibrant la lame, le réaffûtage manuel peut causer des vibrations et endommager l'équipement.

Demandez à votre centre de service après-vente Makita autorisé de réaffûter et rééquilibrer vos lames émoussées.

Lubrification des pièces mobiles

AVIS : Suivez les instructions relatives à la fréquence et à la quantité de graisse fournie. Sinon, une lubrification insuffisante peut endommager les pièces mobiles.

Boîte d'engrenage :

⚠ ATTENTION : N'appliquez pas de graisse lorsque la boîte d'engrenage est chaude. Une boîte d'engrenage chaude peut provoquer des blessures.

Appliquez de la graisse (Shell Alvania 2 ou équivalente) sur la boîte d'engrenage, par le trou de graissage, environ toutes les 30 heures d'utilisation.

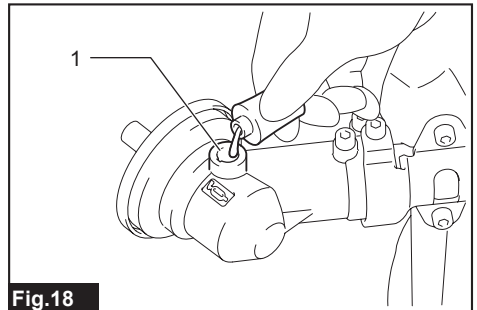


Fig.18

► 1. Trou de graissage

Axe d'entraînement :

Appliquez de la graisse (Shell Alvania 2 ou équivalente) sur l'axe d'entraînement environ toutes les 30 heures d'utilisation.

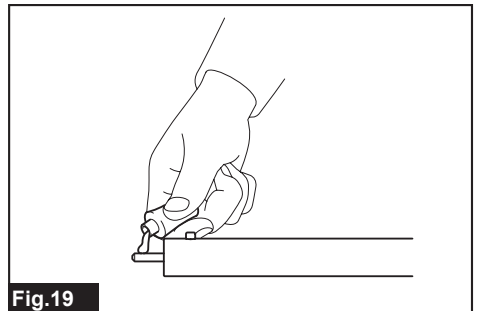


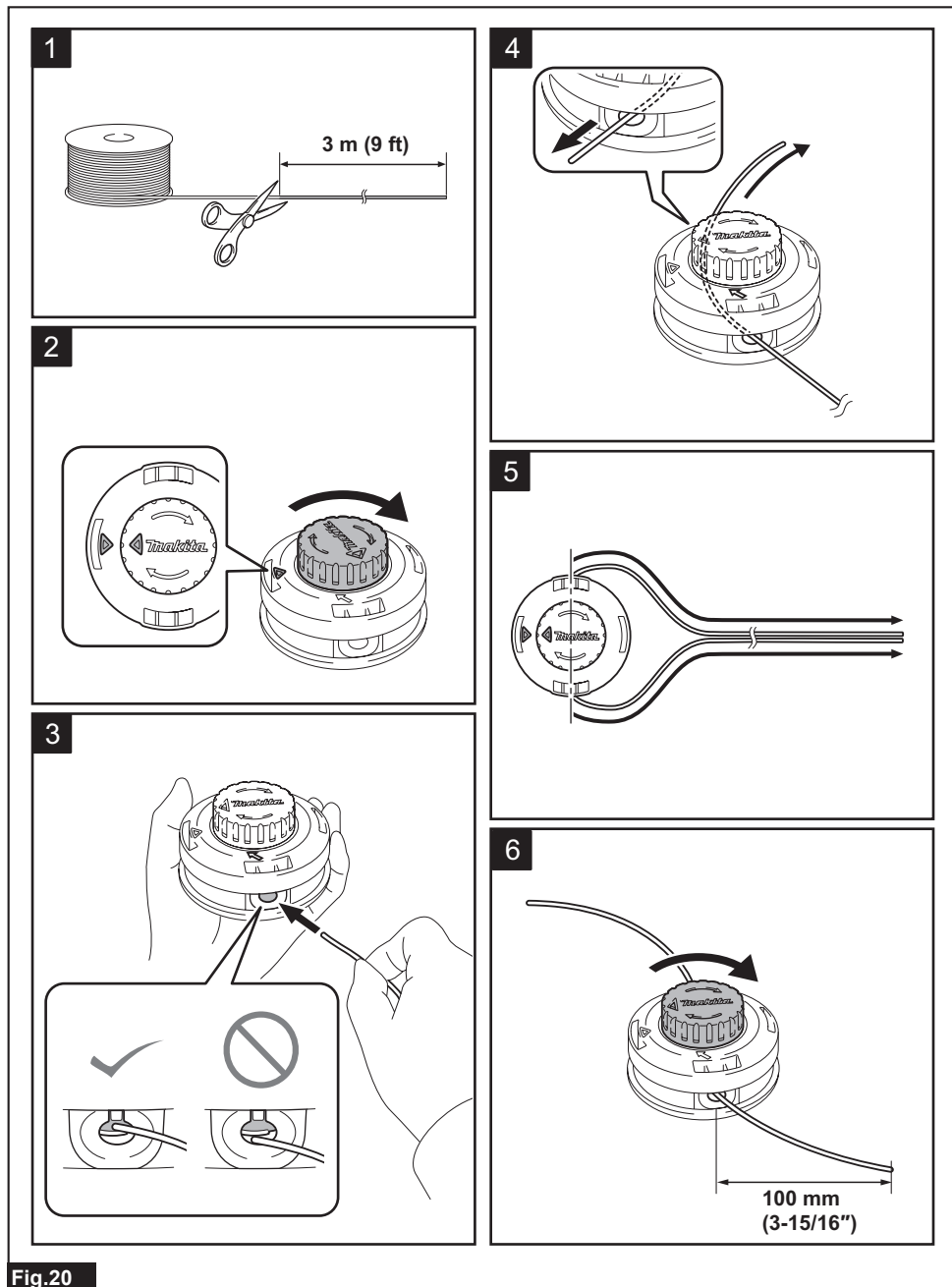
Fig.19

NOTE : Vous pouvez vous procurer de la graisse Makita authentique chez votre détaillant Makita local.

Remplacement du fil de nylon

⚠ MISE EN GARDE : Pour la tête à fils de nylon de type à frappe et alimentation, assurez-vous que le couvercle de la tête à fils de nylon est fixé adéquatement au boîtier, tel que décrit ci-dessous. Si le couvercle n'est pas bien fixé, la tête à fils de nylon risque de voler en éclats et de vous blesser grièvement.

La méthode de remplacement du fil de nylon varie suivant le type d'outil de coupe. Remplacez le fil de nylon si l'alimentation en fil ne s'effectue plus.



Remplacement de la lame en plastique

Pour EM403MP et EM404MP

Remplacez la lame si elle est usée ou cassée.

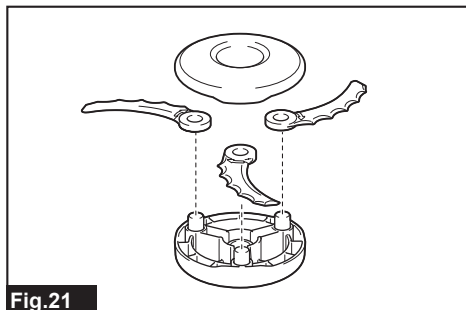


Fig.21

Lors de la pose de la lame en plastique, alignez le sens de la flèche de la lame sur celui de la flèche du protecteur.

Rangement

⚠ MISE EN GARDE : Respectez les mises en garde et prenez les précautions du chapitre « CONSIGNES DE SÉCURITÉ » et du manuel d'instructions de l'unité d'alimentation.

Lorsque vous rangez la tête débroussailleuse séparément de l'unité d'alimentation, mettez le capuchon sur l'extrémité de l'arbre.

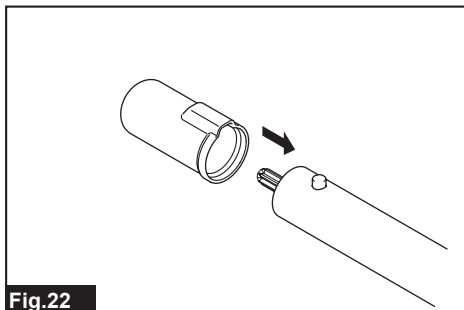


Fig.22

Intervalle d'inspection et de maintenance

Heures d'utilisation		Avant l'utilisation	Quotidiennement (10 h)	30 h
Toute l'unité	Inspectez visuellement les pièces endommagées.	✓	-	-
Toutes les vis de fixation et tous les écrous	Serrer	✓	-	-
Boîte d'engrenage	Graissez.	-	-	✓
Axe d'entraînement	Graissez.	-	-	✓
Lame	Inspectez visuellement les dommages.	✓	✓	-
Unité d'alimentation	Reportez-vous au manuel d'instructions de l'unité d'alimentation.			

Pour maintenir la SÉCURITÉ et la FIABILITÉ du produit, les réparations et tout autre travail d'entretien ou de réglage doivent être effectués dans un centre de service après-vente autorisé ou une usine Makita, exclusivement avec des pièces de rechange Makita.

DÉPANNAGE

Avant de faire une demande de réparation, faites d'abord votre propre inspection. Si vous rencontrez un problème non recensé dans ce manuel, n'essayez pas de démonter la machine. Demandez plutôt à un centre de service après-vente Makita agréé de faire la réparation avec des pièces de rechange Makita.

État anormal	Cause probable (dysfonctionnement)	Solution
Le moteur ne démarre pas.	-	Reportez-vous au manuel d'instructions de l'unité d'alimentation.
Le moteur s'arrête peu après avoir démarré.	-	Reportez-vous au manuel d'instructions de l'unité d'alimentation.
Le moteur n'accélère pas.	-	Reportez-vous au manuel d'instructions de l'unité d'alimentation.
L'outil de coupe ne tourne pas. ⇒ Arrêtez immédiatement le moteur.	Fixation lâche de l'outil de coupe	Fixez fermement.
	L'outil de coupe a attrapé une brindille.	Retirez le corps étranger.
	Système d'entraînement anormal	Contactez un centre de service après-vente agréé pour faire réparer.
Le moteur vibre anormalement. ⇒ Arrêtez immédiatement le moteur.	Outil de coupe cassé, gauchi ou usé	Remplacez l'outil de coupe.
	Fixation lâche de l'outil de coupe	Fixez fermement.
	Une extrémité du fil de coupe en nylon est cassée et la tête à fils de nylon est déséquilibrée.	Alimentez la machine en fil de coupe en nylon en tapant la tête à fils de nylon contre le sol.
	Fixation irrégulière de l'outil de coupe	Fixez adéquatement.
Le système d'entraînement anormal	Système d'entraînement anormal	Contactez un centre de service après-vente agréé pour faire réparer.
La lame ne s'arrête pas immédiatement. ⇒ Arrêtez immédiatement le moteur.	L'unité d'alimentation ne fonctionne pas bien.	Reportez-vous au manuel d'instructions de l'unité d'alimentation.
L'alimentation en fil de coupe en nylon ne s'effectue pas.	Le fil est épuisé ou enchevêtré dans la bobine.	Rembobinez le fil.
Le fil de coupe en nylon n'est pas coupé à la bonne longueur.	Le coupe-fil du protecteur est endommagé ou manquant.	Contactez un centre de service après-vente agréé pour faire réparer.
	Le fil dépasse du protecteur.	Rembobinez le fil.

CONTENIDO

ESPECIFICACIONES.....	34	OPERACIÓN	45
ADVERTENCIAS DE SEGURIDAD	35	MANTENIMIENTO.....	46
DESCRIPCIÓN DE LAS PIEZAS	40	RESOLUCIÓN DE PROBLEMAS	50
MONTAJE.....	41		

ESPECIFICACIONES

Modelo:		EM403MP	EM404MP	EM405MP	EM406MP
Dimensiones: largo x ancho x alto (sin la herramienta de corte)		876 mm x 392 mm x 225 mm (34-1/2" x 15-1/2" x 8-7/8")		876 mm x 187 mm x 232 mm (34-1/2" x 7-3/8" x 9-1/8")	
Peso neto		1,5 kg (3,3 lbs)		1,3 kg (2,8 lbs)	
Diámetro del cordón de nailon		2,0 mm - 2,3 mm (0,08" - 0,09")			
Diámetro de corte	Cuchilla metálica ⚠ADVERTENCIA: En los Estados Unidos de América y Canadá, las cuchillas metálicas no se pueden utilizar con el modelo DUX60 o XUX01 debido a las regulaciones.	230 mm (9")		-	
	Cabezal de corte de nailon	420 mm (16,5")			
	Cuchilla de plástico * En los EE. UU. y Canadá, la cuchilla de plástico se puede usar junto con el modelo EX2650LH solamente.	255 mm (10")		-	
Relación de engranajes		14:19	13:21	14:19	13:21

- Debido a nuestro programa continuo de investigación y desarrollo, las especificaciones aquí dadas están sujetas a cambios sin previo aviso.
- Las especificaciones pueden variar de país a país.
- Peso de acuerdo con el procedimiento 01/2014 de EPTA
- En los EE. UU. y Canadá, los modelos EM403MP y EM404MP no incluyen la cuchilla metálica, la tuerca, el cono o la arandela de la abrazadera.

Unidad motorizada aprobada

- Herramienta Multifuncional EX2650LH
- Herramienta Multifuncional Inalámbrica DUX60, XUX01, UX01G, GUX01

⚠ ADVERTENCIA: Nunca utilice el accesorio con una unidad motorizada no aprobada. Una combinación no aprobada podría causar lesiones graves.

Símbolos

Los siguientes símbolos son utilizados en el accesorio y en este manual de instrucciones. Usted deberá entender estas definiciones.



¡Ponga especial cuidado y atención!



Lea el manual de instrucciones.



¡Lleve puesto un casco protector así como protección en ojos y oídos!



¡Se debe usar guantes protectores!



Use botas resistentes con suelas antiderrapantes. ¡Se recomienda el uso de botas de seguridad con puntas de acero!



Mantenga alejadas a las personas alrededor a por lo menos 15 m (50 ft) de distancia.



¡Peligro de objeto proyectado!



¡Retroceso brusco!



Velocidad máxima permitida de la herramienta



Para los modelos EM405MP y EM406MP únicamente. Nunca utilice cuchillas metálicas.

ADVERTENCIAS DE SEGURIDAD

Advertencias de seguridad para la desbrozadora

⚠ ADVERTENCIA: Lea todas las advertencias de seguridad, instrucciones, ilustraciones y especificaciones suministradas con esta máquina. El no seguir todas las instrucciones indicadas a continuación podría ocasionar un incendio y/o lesiones graves tanto al operador como a las personas alrededor.

Guarde todas las advertencias e instrucciones para su futura referencia.

Los términos “desbrozadora” y “máquina” en las advertencias y precauciones hacen referencia a la combinación del accesorio y la unidad motorizada. El término “motor” en las advertencias y precauciones hace referencia al motor o al motor eléctrico de la unidad motorizada.

Seguridad general

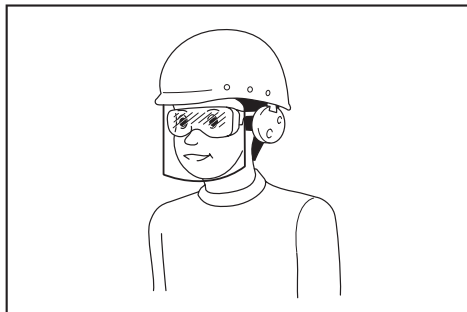
1. Los operadores primerizos o sin experiencia deberán solicitar capacitación al distribuidor para familiarizarse con la operación de esta máquina. Nunca permita que los niños ni las personas con capacidades físicas, sensoriales o mentales reducidas, o que no cuenten con experiencia ni conocimientos o no estén familiarizadas con las instrucciones utilicen la máquina.
2. Se recomienda prestar la máquina únicamente a personas que demuestren tener la experiencia necesaria. Siempre que preste la desbrozadora entregue también el manual de instrucciones.
3. Manténgase alerta, preste atención a lo que está haciendo y utilice su sentido común cuando opere la máquina. Nunca utilice la máquina si está cansado, se siente enfermo o está bajo la influencia de drogas, alcohol o medicamentos. Un momento de distracción mientras opera la máquina podría ocasionar lesiones personales graves.
4. Evite usar la máquina en condiciones de mal clima, especialmente cuando exista riesgo de rayos.
5. Tome en cuenta los reglamentos nacionales y locales relativos al uso de máquinas motorizadas en exteriores.

Uso previsto de la herramienta

Esta máquina está diseñada únicamente para cortar césped, maleza, arbustos y matorrales. Nunca utilice esta máquina para ningún otro propósito tal como recortar bordes o podar cercos de setos. El utilizarla para otros fines distintos para los que fue diseñada podría ocasionar lesiones graves.

Equipo de protección personal

1. Use siempre pantalones largos pesados, botas resistentes, guantes y camisas de manga larga. Evite llevar ropa holgada, alhajas, shorts, sandalias o estar descalzo. Amarre su cabello de manera que éste quede sobre el nivel de los hombros.
2. Use siempre casco donde haya riesgo de caída de objetos.
3. Utilice siempre gafas protectoras para proteger sus ojos de lesiones al usar la máquina. Las gafas deben cumplir con las normas ANSI Z87.1 en EUA, EN 166 en Europa, o AS/NZS 1336 en Australia y Nueva Zelanda. En Australia y Nueva Zelanda es requerido por ley usar máscara protectora para proteger su cara también.



Es responsabilidad del empleador obligar a los operadores de la herramienta y demás personas en el área de trabajo inmediata a usar equipos de protección adecuados.

4. Utilice protección para los oídos tal como orejeras. La exposición al ruido puede producir pérdida auditiva.
5. Lleve siempre un calzado resistente con suela antiderrapante. Esto protegerá a sus pies de lesiones y asegurará que pise firmemente.
6. Utilice una máscara contra polvo si es necesario.

Preparativos antes del uso

1. Antes de usar la herramienta, revísela siempre para comprobar que puede operarla de manera segura:
 - Verifique que no haya fugas de combustible.
 - Asegúrese de que todos los sujetadores estén asegurados en su lugar.
 - Reemplace las piezas dañadas.
 - Asegúrese de que la herramienta de corte esté debidamente instalada y sujeta firmemente.
 - Asegúrese de que la protección de la herramienta de corte esté debidamente colocada en la posición tal y como se describe en este manual.
 - Revise el gatillo del acelerador, la palanca de desbloqueo y demás interruptores de control para garantizar una accionamiento suave y un funcionamiento correcto.
 - Limpie los mangos para un control adecuado de la máquina.
 - Asegúrese de que los mangos estén instalados tal como se describe en este manual.

El no seguir estas instrucciones podría ocasionar lesiones graves.

2. Utilice una cuchilla afilada. Deseche las cuchillas que estén dobladas, torcidas, agrietadas, rotas, astilladas o dañadas de alguna otra manera. Una cuchilla sin filo es más fácil que se enganche causando un retroceso brusco.
3. Use siempre todas las piezas necesarias para fijar la cuchilla adecuadamente. Las piezas que no estén correctamente sujetas podrían causar que la cuchilla saliera proyectada y lesionar seriamente tanto al operador como a las personas alrededor.

Reabastecimiento

1. Detenga el motor antes de efectuar el reabastecimiento. Manténgase alejado de las llamas expuestas y chispas. Nunca fume durante el reabastecimiento. De lo contrario podría existir riesgo de incendio y/o explosión.
2. Efectúe el reabastecimiento en exteriores. Realizar el reabastecimiento en una habitación cerrada podría causar una explosión a causa del vapor de combustible.
3. Evite el contacto con el combustible o el aceite del motor. No inhale el vapor de combustible. Si llegara a derramarse combustible o aceite, limpie la máquina y/o el suelo de inmediato. Si el combustible se derramara sobre su ropa, cámbiese inmediatamente para evitar que su ropa prenda fuego.

4. Después de efectuar el reabastecimiento, apriete con cuidado la tapa del tanque de combustible y verifique que no haya fugas de combustible. Aléjese a por lo menos 3 m (10 ft) de distancia tanto de la fuente como del sitio de abastecimiento antes de poner en marcha el motor.
 5. Únicamente transporte y almacene combustible en contenedores aprobados. Matenga a los niños alejados del lugar donde el combustible está almacenado.
3. Asegúrese de que la máquina esté en una posición segura cuando la transporte en un vehículo a fin de evitar fugas de combustible.
 4. Levante la máquina por completo del suelo cuando vaya a transportarla. Arrastrar la máquina podría provocar daños al tanque de combustible así como fugas de combustible ocasionando un incendio.

Puesta en marcha de la desbrozadora

1. Mantenga a los niños y a las personas y animales alrededor a por lo menos 15 m (50 ft) de distancia cuando ponga en marcha la máquina o vaya a utilizarla. Además, las personas alrededor deberán llevar protección en los ojos para protegerse de lesiones a causa de objetos que puedan salir proyectados. Cualquier acción inesperada por parte de las personas alrededor o un retroceso brusco de la cuchilla podría ocasionar lesiones graves tanto a estas personas como al operador.
2. Sólo ponga en marcha y opere la máquina en exteriores en un área bien ventilada. La operación en un área cerrada o con poca ventilación puede causar la muerte por asfixia o envenenamiento por monóxido de carbono.
3. Antes de comenzar, asegúrese de que la herramienta de corte no esté haciendo contacto con ningún objeto duro tal como ramas, piedras, etc., ya que ésta empezará a girar una vez puesta en marcha.
4. Si la herramienta de corte gira al ralentí, ajuste la velocidad al ralentí de manera que se detenga y se mantenga inactiva. De lo contrario, un contacto accidental con la herramienta de corte en movimiento podría ocasionar alguna lesión grave.
5. Detenga el motor de inmediato si observa cualquier problema con el mismo.

Transporte

1. Apague el motor durante el transporte. De lo contrario, un arranque accidental podría causar alguna lesión.
2. Cuando transporte la máquina, coloque siempre la cubierta a la cuchilla de corte. El contacto con cuchillas descubiertas pueden ocasionar lesiones.

Operación

1. Use solo la máquina en condiciones de buena iluminación y visibilidad. Su uso en la oscuridad o áreas con poca visibilidad podría provocar accidentes inesperados.
 2. Evite usar la máquina cuando sea difícil mantener el equilibrio, por ejemplo, cuando trabaje en una superficie empinada o en un día con mucho viento.
 3. Durante la época de invierno, tenga cuidado con las áreas resbalosas o mojadas, así como con el hielo y la nieve a fin de evitar resbalones.
 4. Si alguien se acerca, detenga el motor. De lo contrario, la herramienta de corte podría golpear a alguna persona mientras está girando y ocasionar una lesión grave.
 5. Despeje el área de trabajo antes de la operación. Retire del área todos los objetos tales como piedras, vidrios rotos, clavos, alambres o cuerdas que puedan salir proyectados o enredarse en el accesorio de corte. Las partículas extrañas podrían dañar la herramienta de corte y causar un peligroso retroceso brusco.
 6. Para mantener un funcionamiento constante de la máquina, siga estos pasos durante la operación:
 - Sujete la máquina firmemente con ambas manos de su lado derecho.
 - Cuelgue la máquina sobre su(s) hombro(s) usando el arnés para hombro.
 - Siempre asegúrese de pisar sobre suelo firme. Nunca trabaje sobre una escalera o en un árbol.
 - Evite usar la máquina donde no alcance.
 - Mantenga la herramienta de corte por debajo del nivel de la cintura.
 - Mantenga todas las partes de su cuerpo alejadas de la herramienta de corte mientras está girando así como de las superficies calientes.
- Las medidas previas reducirán el riesgo de lesiones.

7. **Si llegaran a quedar atrapadas maleza o ramas entre la herramienta de corte y el protector, detenga siempre el motor antes de despejarlas.** De lo contrario, la rotación accidental de la cuchilla podría causar una lesión grave.
8. **Nunca deje caer la máquina ni la arroje excepto en el caso de una emergencia. Si la máquina se cae o golpea contra algo, revise de inmediato que no haya fugas de combustible, los dispositivos de seguridad y que no haya algún otro daño.** Utilizar una máquina que no funciona correctamente podría causar una lesión y/o un incendio.
9. **Inspecciones frecuentemente la herramienta de corte, sobre todo después de haber golpeado alguna piedra u otro objeto duro.** Si la herramienta de corte llegara a romperse durante la operación, la pieza rota podría salir proyectada y ocasionar alguna lesión.
10. **Detenga el motor siempre que vaya a realizar alguna inspección, limpieza o reemplazo de la herramienta de corte.** De lo contrario, la herramienta de corte podría girar inesperadamente y ocasionar alguna lesión grave.
11. **Procure mantener un control adecuado hasta que la herramienta de corte se haya detenido por completo, cuando detenga el motor o suelte el gatillo del acelerador.** Una cuchilla girando por inercia podría causar alguna lesión.
12. **Antes de comenzar la operación de corte, espere a que la herramienta de corte alcance la velocidad suficiente para efectuar el corte.** Esto reducirá el riesgo de un retroceso brusco y de que la maleza se enrede.
13. **Tome un descanso para evitar la pérdida de control a causa de la fatiga.** Recomendamos tomar de 10 minutos a 20 minutos de descanso cada hora.
14. **Detenga el motor y colóquelo en un lugar seguro cuando esté tomando algún descanso o vaya a dejar la máquina desatendida.** El hacer esto podría evitar accidentes inesperados.
15. **No toque el motor ni su silenciador ni los coloque encima de materiales combustibles mientras el motor está funcionando o poco después de haberse detenido, ya que podrían estar calientes.** Esto podría ocasionar quemaduras y/o un incendio.

Herramientas de corte

1. **Utilice una herramienta de corte adecuada para su trabajo.**
 - Los cabezales de corte de nailon (cabezas de las desbrozadoras) son adecuadas para podar césped.
 - Las cuchillas metálicas son adecuadas para cortar hierba, césped alto, arbus-tos, matorrales, pequeños árboles, maleza y similares.

Utilice siempre el protector de la herramienta de corte indicada apropiadamente para la herramienta de corte utilizada.

2. **Cuando use un cabezal de corte de nailon, use únicamente la línea flexible no metálica recomendada en este manual. Nunca use alambre ni cable de acero.** Éstos podrían romperse y convertirse en un peligroso proyectil.
3. **Nunca utilice cadenas metálicas de múltiples piezas que giren alrededor de un pivote, cuchillas de dientes horizontales ni cuchillas que no estén recomendadas en este manual.** De lo contrario, esto podría ocasionar lesiones graves.
4. **Cuando vaya a manipular la cuchilla metálica, use siempre guantes y coloque la cubierta a la cuchilla.** De lo contrario, la cuchilla podría provocar cortaduras en las manos descubiertas.
5. **Cuando utilice cuchillas metálicas, evite los “retrocesos bruscos” y siempre esté preparado para un retroceso brusco accidental.** Consulte la sección *Retroceso brusco*.

Retroceso brusco (propulsión de la cuchilla)

El retroceso brusco (propulsión de la cuchilla) puede ocurrir cuando la cuchilla al estar girando entra en contacto con un objeto que no puede cortar de inmediato. Éste puede ser lo suficientemente violento como para hacer que la unidad y/o el operador sean impulsados hacia cualquier dirección, posiblemente haciendo perder el control de la unidad y ocasionando alguna lesión grave. El retroceso brusco puede ocurrir sin advertencia alguna si la cuchilla se engancha, atasca o atora y es más posible que suceda en áreas donde resulta difícil ver el material que se está cortando.

El retroceso brusco ocurre particularmente al colocar el segmento de la cuchilla en un objeto sólido, arbustos y árboles con un diámetro de 3 cm o más en un ángulo que en un reloj estaría representado entre las 12 y las 2 en punto.

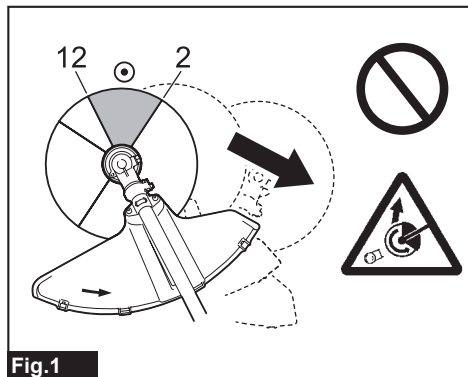


Fig.1

Para evitar un retroceso brusco:

1. Coloque el segmento de la cuchilla en un ángulo que en un reloj estaría representado entre las 8 y las 11 en punto.
2. Oscile la herramienta con movimientos uniformes en semicírculo de derecha a izquierda, como al usar una guadaña. Esto permitirá que el segmento de la cuchilla adecuado haga contacto con las plantas que se van a cortar.
3. Nunca coloque el segmento entre el ángulo que en un reloj estaría representado entre las 12 y las 2 en punto.
4. Nunca coloque el segmento entre el ángulo que en un reloj estaría representado entre las 11 y las 12 en punto ni entre las 2 y las 5 en punto, a menos que el operador esté bien capacitado, tenga suficiente experiencia y lo haga bajo su propio riesgo.

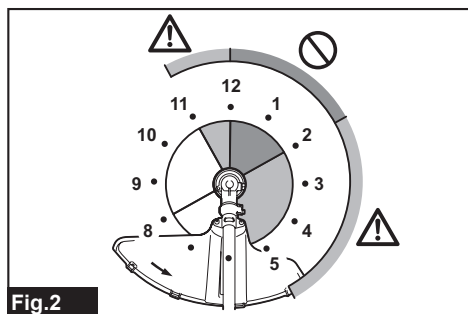


Fig.2

5. Nunca utilice las cuchillas de corte cerca de objetos sólidos tales como cercas, paredes, troncos de árboles y piedras.

6. Nunca utilice las cuchillas de corte verticalmente para realizar operaciones tales como recortar bordes o podar cercos de setos.
7. Evite usar la herramienta en áreas donde resulte difícil ver el objeto que se va a cortar.

Vibración

La exposición a una vibración excesiva podría dañar los vasos sanguíneos o el sistema nervioso del operador y causar los siguientes síntomas en dedos, manos o muñecas: "Adormecimiento" (entumecimiento), hormigueo, dolor, sensaciones de punzadas, alteraciones en la piel o en el color de ésta. Si cualquiera de estos síntomas se presenta, consulte a un médico.

Para reducir el riesgo de la "enfermedad del dedo blanco", conserve sus manos calientes durante la operación y mantenga el equipo y accesorios en buenas condiciones.

Mantenimiento

1. El servicio de su máquina deberá ser realizado por un centro de servicio autorizado usando solamente piezas de repuesto idénticas. Utilice únicamente piezas de repuesto y accesorios idénticos suministrados por MAKITA. Una reparación incorrecta y un mantenimiento deficiente pueden acortar la vida útil de la máquina y aumentar el riesgo de accidentes.
2. Nunca modifique ni retire ningún componente de la máquina. El hacerlo podría ocasionar un incendio y/o lesiones graves.
3. Limpie la máquina después de usarla y revise que todos los tornillos y tuercas estén firmemente apretados.
4. Verifique el estado de la herramienta de corte, el protector de la herramienta de corte y el arnés para hombro. La cuchilla de corte deberá estar afilada. Nunca intente enderezar ni soldar las herramientas de corte dañadas.

Otras instrucciones

1. Almacene siempre la máquina en habitaciones cerradas y con el tanque de combustible vacío.
2. Tome en cuenta el medio ambiente. Evite operar innecesariamente el acelerador para causar menos contaminación y emisión de ruido. Ajuste el carburador correctamente.
3. No opere el motor con un silenciador de escape defectuoso.

Primeros auxilios

1. En caso de accidente asegúrese de contar con un botiquín de primeros auxilios bien abastecido cerca del lugar donde se realicen las operaciones de corte. Reemplace de inmediato cualquier artículo que se utilice del botiquín.
2. Cuando solicite ayuda, proporcione la siguiente información:
 - Lugar del accidente
 - Qué fue lo que ocurrió
 - Número de personas lesionadas
 - Tipo de lesiones
 - Su nombre

Instrucciones adicionales de seguridad

1. Cuando dos o más operadores se encuentren trabajando en una misma área, la distancia entre ellos deberá ser de más de 15 m (50 ft) para evitar un accidente. Asimismo, designe a una persona para verificar que se mantenga la distancia entre los operadores. Si alguna persona o animal llega a ingresar al área de trabajo, detenga la operación inmediatamente.
2. Utilice únicamente las herramientas de corte marcadas con una velocidad igual o mayor a la velocidad marcada en la herramienta.
3. Asegúrese de retirar la cubierta en la cuchilla de corte antes de la operación.

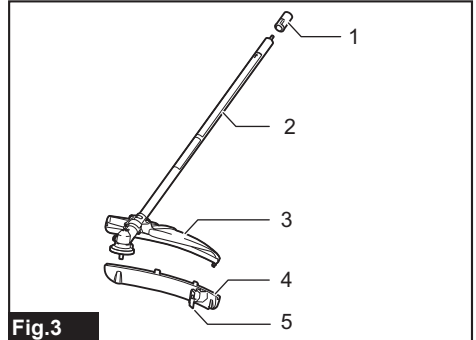
⚠ ADVERTENCIA: El uso de este producto puede producir polvo que contenga sustancias químicas que podrían causar enfermedades respiratorias o de otro tipo. Algunos ejemplos de estas sustancias químicas son los compuestos encontrados en pesticidas, insecticidas, fertilizantes y herbicidas.

El riesgo al que se expone varía, dependiendo de la frecuencia con la que realice este tipo de trabajo. Para reducir la exposición a estas sustancias químicas: trabaje en un área bien ventilada y use un equipo de seguridad aprobado, tal como las máscaras contra polvo que están especialmente diseñadas para filtrar partículas microscópicas.

GUARDE ESTAS INSTRUCCIONES.

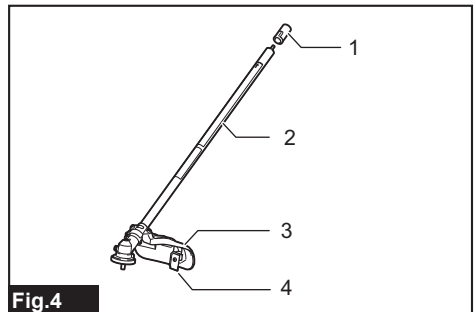
DESCRIPCIÓN DE LAS PIEZAS

EM403MP, EM404MP



- 1. Tapa 2. Tubo 3. Protector (tipo universal)
4. Extensión protectora 5. Cuchilla de corte

EM405MP, EM406MP



- 1. Tapa 2. Tubo 3. Protector (tipo estrecho)
4. Cuchilla de corte

MONTAJE

⚠ADVERTENCIA: Antes de ensamblar o ajustar el equipo, apague el motor y retire el capuchón de la bujía o el cartucho de batería. De lo contrario, la herramienta de corte u otras piezas podrían moverse y ocasionar lesiones graves.





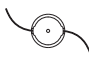

⚠ADVERTENCIA: Antes de manipular la cuchilla de corte utilice guantes protectores. Durante el ensamble o ajuste, sus dedos podrían entrar en contacto con la cuchilla de corte ocasionando lesiones graves.

⚠ADVERTENCIA: Cuando ensamble o ajuste el equipo, déjelo siempre en el suelo. El ensamble o ajuste del equipo en una posición vertical podría ocasionar lesiones graves.

⚠ADVERTENCIA: Siga las advertencias y precauciones contenidas en el capítulo “ADVERTENCIAS DE SEGURIDAD” y el manual de instrucciones de la unidad motorizada.

Combinación correcta de la herramienta de corte y el protector

⚠PRECAUCIÓN: Utilice siempre la combinación correcta de herramienta de corte y protector. Una combinación incorrecta podría no protegerlo de los residuos y piedras que salgan proyectados. Asimismo, podría afectar el equilibrio de la herramienta y ocasionar alguna lesión personal grave.

Modelo	Herramienta de corte	Protector
EM403MP EM404MP	Cuchilla metálica (específica del país) (con tuerca, cono y arandela de la abrazadera) 	Protector (tipo universal) 
	Cabezal de corte de nailon/cuchilla de plástico (específica del país) * En los EE. UU. y Canadá, la cuchilla de plástico se puede usar junto con el modelo EX2650LH solamente. 	Protector (tipo universal) con extensión protectora 
EM405MP EM406MP	Cabezal de corte de nailon 	Protector (tipo estrecho) 

Instalación del protector (protección de la herramienta de corte)

⚠️ ADVERTENCIA: No utilice una herramienta de corte sin el protector adecuado en ningún momento.

⚠️ ADVERTENCIA: Utilice siempre la herramienta de corte con la combinación correcta de protector. De lo contrario, el contacto con una herramienta de corte podría ocasionar una lesión grave.

AVISO: Apriete regularmente los pernos en el protector. Apriete los pernos del lado derecho e izquierdo de manera uniforme de manera que la distancia entre la abrazadera y el protector sea la misma.

Fije el protector a la abrazadera usando los pernos.

Protector (tipo universal)

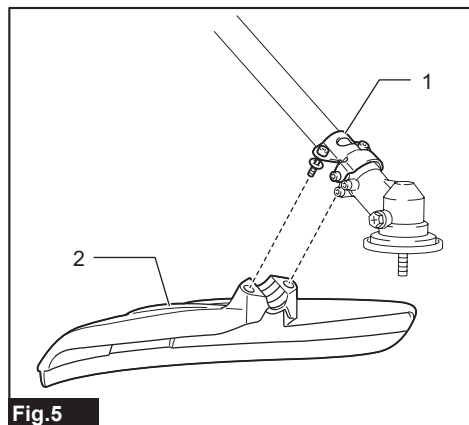


Fig.5

► 1. Abrazadera 2. Protector

Protector (tipo estrecho)

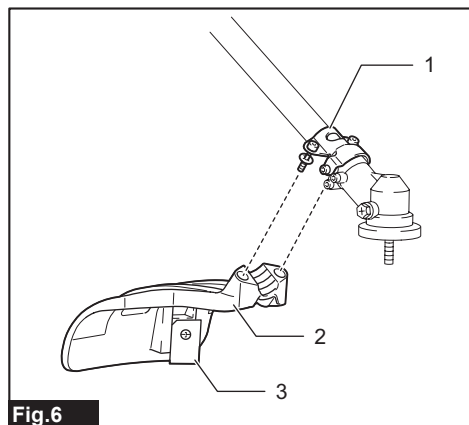


Fig.6

► 1. Abrazadera 2. Protector 3. Cuchilla de corte

⚠️ PRECAUCIÓN: Tenga cuidado de no lastimarse con la cuchilla de corte instalada en el protector.

NOTA: La cuchilla de corte en el protector hace que el cordón de nailon mantenga su mejor longitud para el corte.

Para los modelos EM403MP y EM404MP

Para instalar la extensión protectora, insértela en el protector y luego cierre las horquillas. Asegúrese de que las lengüetas en la extensión protectora encajen en las ranuras en el protector.

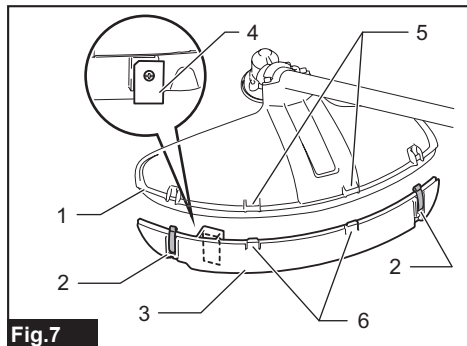


Fig.7

► 1. Protector (tipo universal) 2. Horquilla
3. Extensión protectora 4. Cuchilla de corte (en el interior) 5. Ranura 6. Lengüeta

Para extraer la extensión protectora del protector, desabroche las horquillas y jale hacia afuera la extensión protectora.

⚠️ PRECAUCIÓN: Asegúrese de empujar la extensión protectora hasta que se haya insertado por completo. De lo contrario, la extensión protectora podría salirse y ocasionar alguna lesión personal.

⚠️ PRECAUCIÓN: Tenga cuidado de no lastimarse con la cuchilla de corte instalada en la extensión protectora.

NOTA: La cuchilla de corte en la extensión protectora hace que el cordón de nailon mantenga su mejor longitud para el corte.

Instalación de la herramienta de corte

⚠️ PRECAUCIÓN: Asegúrese de utilizar herramientas de corte originales de MAKITA.

⚠️ PRECAUCIÓN: Asegúrese de retirar la llave hexagonal después de la instalación.

NOTA: Cuando instale la herramienta de corte, voltee de cabeza la herramienta para facilitar el procedimiento.

Instalación de la cuchilla metálica

Para el EM403MP y EM404MP (accesorio opcional para los EE. UU. y para Canadá)

⚠️ PRECAUCIÓN: Cuando vaya a manipular la cuchilla metálica, use siempre guantes y coloque la cubierta a la cuchilla.

⚠️ PRECAUCIÓN: El diámetro externo de la cuchilla metálica debe ser de 230 mm (9"). Nunca utilice ninguna cuchilla que tenga un diámetro externo mayor de 230 mm (9").

⚠️ PRECAUCIÓN: La cuchilla metálica deberá estar bien pulida y libre de grietas o roturas. Si durante la operación, la cuchilla metálica golpea contra alguna piedra, detenga el motor y revise la cuchilla de inmediato.

⚠️ PRECAUCIÓN: Pula o reemplace la cuchilla metálica cada tres horas de operación.

⚠️ PRECAUCIÓN: Utilice siempre la(s) llave(s) suministrada(s) para extraer o instalar la cuchilla.

Cuchilla aplicable

Cuchilla metálica (2 dientes)



Cuchilla metálica (3 dientes)



Cuchilla metálica (4 dientes)



Cuchilla metálica (8 dientes)



1. Inserte la arandela receptora en el eje.
2. Inserte la llave hexagonal a través del orificio en la caja de engranajes para bloquear el eje. Gire el eje hasta que la llave hexagonal se haya insertado por completo.
3. Instale la cuchilla metálica en la arandela receptora.
4. Instale la arandela de la abrazadera y el cono, y luego apriete la tuerca firmemente. Torsión de apriete: 16 - 23 N•m
5. Retire la llave hexagonal.

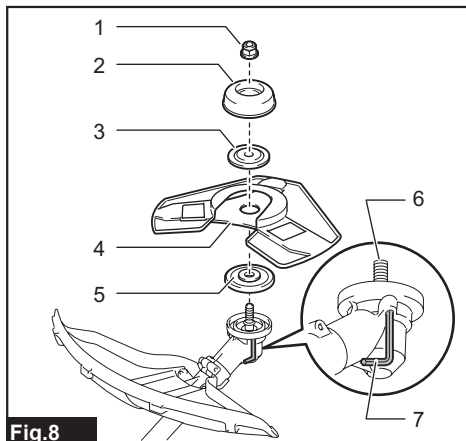


Fig.8

- 1. Tuerca 2. Cono 3. Arandela de la abrazadera 4. Cuchilla metálica 5. Arandela receptora 6. Eje 7. Llave hexagonal

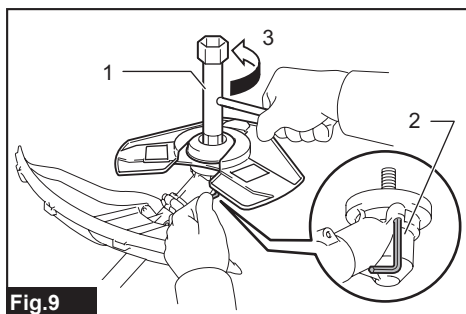


Fig.9

- 1. Llave de tubo 2. Llave hexagonal 3. Apriete

Asegúrese de que tanto las flechas en la cuchilla como en el protector estén orientadas hacia la misma dirección.

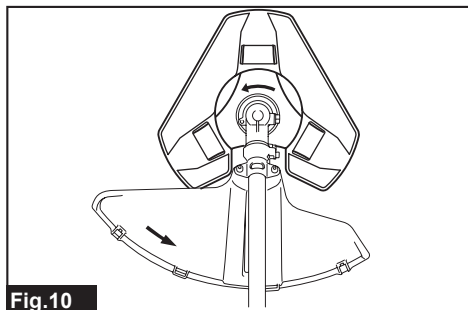


Fig.10

Para extraer la cuchilla metálica, siga el procedimiento de instalación en orden inverso.

NOTA: La parte de resina de la tuerca que asegura la cuchilla que asegura la tuerca se desgasta con el transcurso del tiempo. Reemplace la tuerca si hay algún indicio de desgaste o deformación.

Instalación del cabezal de corte de nailon

PRECAUCIÓN: Si durante la operación, el cabezal de corte de nailon golpea contra alguna piedra, detenga el motor y revise el cabezal de corte de nailon de inmediato.

1. Coloque la arandela receptora en el eje.
2. Inserte la llave hexagonal a través del orificio en la caja de engranajes.
3. Atornille el cabezal de corte de nailon en el eje.
4. Después de instalar el cabezal de corte de nailon, retire la llave hexagonal.

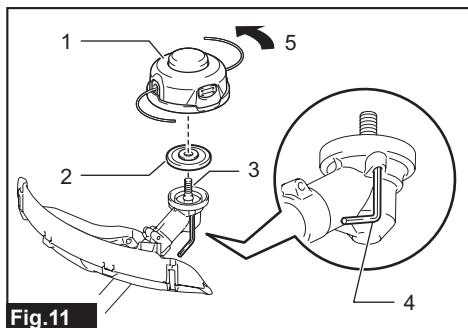


Fig.11

- 1. Cabezal de corte de nailon 2. Arandela receptora 3. Eje 4. Llave hexagonal 5. Apretar

Instalación de la cuchilla de plástico

Para el EM403MP y EM404MP (accesorio opcional)

PRECAUCIÓN: Si durante la operación la cuchilla de plástico se impacta accidentalmente contra alguna piedra u objeto duro, detenga la herramienta y revise que no haya daños. Si la cuchilla de plástico está dañada, reemplácela de inmediato. El uso de una herramienta de corte dañada podría ocasionar lesiones personales graves.

PRECAUCIÓN: Asegúrese de retirar la llave hexagonal después de la instalación.

AVISO: Asegúrese de utilizar una cuchilla de plástico original de Makita.

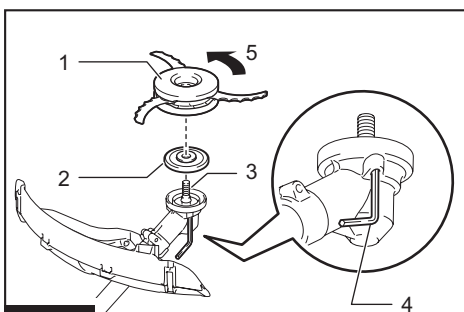


Fig.12

- 1. Cuchilla de plástico 2. Arandela receptora 3. Eje 4. Llave hexagonal 5. Apretar

1. Coloque la arandela receptora en el eje.
2. Inserte la llave hexagonal a través del orificio en la caja de engranajes y gire el eje hasta que éste quede asegurado.
3. Coloque la cuchilla de plástico directamente en el eje con rosca y apriete.
4. Retire la llave hexagonal.

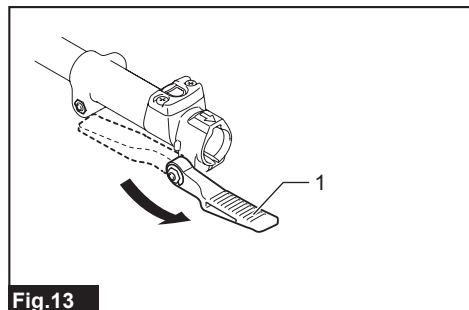
Para extraer la cuchilla de plástico, gírela en el sentido de las manecillas del reloj mientras sujeta la arandela receptora con la llave hexagonal.

Ensamble del aditamento del tubo

⚠️ PRECAUCIÓN: Verifique siempre que el aditamento del tubo quede asegurado después de la instalación. Una instalación incorrecta podría causar que el aditamento se desprendiera de la unidad motorizada ocasionando alguna lesión personal.

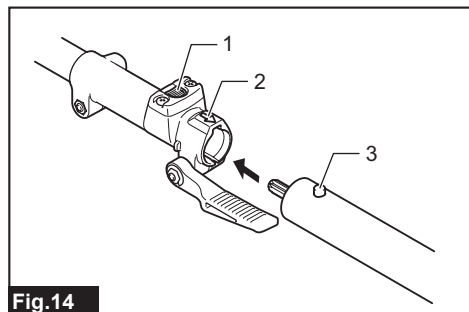
Ensamble el aditamento del tubo en la unidad motorizada.

1. Gire la palanca de la unidad motorizada hacia el lado del accesorio.



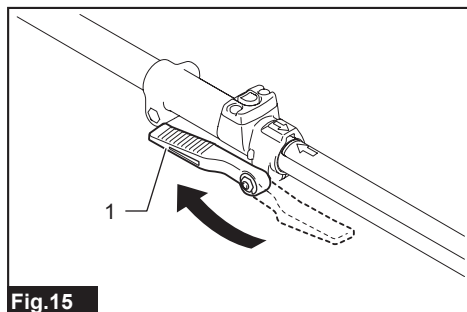
- 1. Palanca

2. Retire la tapa del accesorio. Alinee el pasador con la marca de flecha e inserte el aditamento del tubo hasta que el botón de liberación aparezca.



- 1. Botón de liberación 2. Marca de flecha
3. Pasador

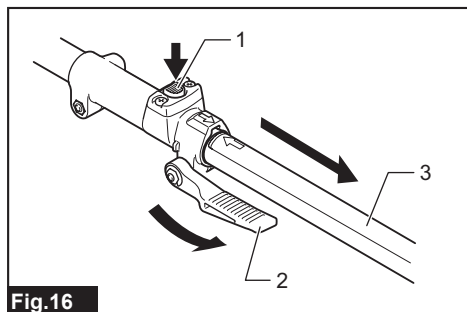
3. Gire la palanca hacia el lado de la unidad motorizada.



- 1. Palanca

Asegúrese de que la superficie de la palanca se encuentre paralela al tubo.

Para extraer el tubo, gire la palanca hacia el lado del accesorio y jale el tubo hacia afuera mientras presiona hacia abajo el botón de liberación.



- 1. Botón de liberación 2. Palanca 3. Tubo

OPERACIÓN

⚠️ ADVERTENCIA: Siga las advertencias y precauciones contenidas en el capítulo “ADVERTENCIAS DE SEGURIDAD” y el manual de instrucciones de la unidad motorizada.

⚠️ ADVERTENCIA: Si la herramienta de corte se mueve al ralenti, reduzca la velocidad de ralenti del motor. De lo contrario, no podrá detener la herramienta de corte con el acelerador apagado y esto podría causar lesiones graves.

Ajuste de la posición del colgador y del arnés para hombro

⚠️ ADVERTENCIA: No utilice la herramienta si no puede ajustar la posición del colgador y la longitud del arnés para hombro dentro del rango que se muestra en la ilustración. El usar la herramienta con un equilibrio inadecuado debido al peso podría hacer que la herramienta de corte se desplazara hacia arriba y ocasionar una lesión personal.

Al reemplazar un accesorio por otro, el equilibrio podría cambiar debido al peso. En este caso, ajuste la posición del colgador y la longitud del arnés para hombro tal como se indica a continuación.

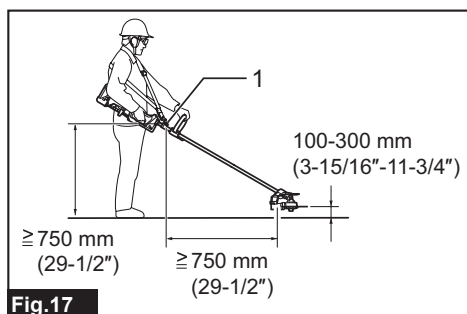


Fig.17

► 1. Colgador

Para cambiar la posición del colgador, afloje el tornillo de fijación en el colgador y luego mueva el colgador (A).

Ajuste la posición del colgador y la longitud del arnés para hombro de manera que:

- el colgador esté a una altura de 750 mm (29-1/2") o más con respecto al suelo,
- la herramienta de corte esté a una altura de 100 mm (3-15/16") a 300 mm (11-3/4") con respecto al suelo, y
- la parte expuesta de la herramienta de corte esté a una distancia horizontal de 750 mm (29-1/2") o más con respecto al colgador.

Después de ajustar la posición del colgador, apriete firmemente el tornillo con una llave o atornillador (dependiendo de la unidad motorizada).

Uso de un cabezal de corte de nailon

Durante la operación, use la punta del cordón cortador de nailon para cortar. Debido a que el cordón cortador de nailon se desgastará y acortará durante la operación de corte, el operador necesitará irlo alimentando manualmente. Para alimentar el cordón cortador de nailon, golpee ligeramente el cabezal de corte de nailon contra el suelo mientras esté girando a aproximadamente 6 000 /min.

NOTA: En caso de no poder alimentar el cordón cortador de nailon, rebobínelo. Consulte el capítulo "MANTENIMIENTO".

MANTENIMIENTO

⚠️ ADVERTENCIA: Antes de inspeccionar o dar mantenimiento al equipo, apague el motor y retire el capuchón de la bujía o el cartucho de batería. De lo contrario, la herramienta de corte u otras piezas podrían moverse y ocasionar lesiones graves.

⚠️ ADVERTENCIA: Cuando inspeccione o dé mantenimiento al equipo, déjelo siempre en el suelo. El ensamble o ajuste del equipo en una posición vertical podría ocasionar lesiones graves.

⚠️ ADVERTENCIA: Siga las advertencias y precauciones contenidas en el capítulo "ADVERTENCIAS DE SEGURIDAD" y el manual de instrucciones de la unidad motorizada.

AVISO: Nunca use gasolina, bencina, diluyente (tíner), alcohol o sustancias similares. Puede que esto ocasione grietas o descoloramiento.

Inspección general

- Apriete los pernos, tuercas y tornillos flojos.
- Verifique que no haya piezas o cuchillas dañadas. Solicite su reemplazo a nuestro centro de servicio autorizado en caso necesario.

Reafilamiento de la herramienta de corte

⚠️ ADVERTENCIA: No reafile las cuchillas de corte por su cuenta. El volver a afilarlas manualmente podría ocasionar que la cuchilla de corte se desbalanceara, causando vibraciones y daños al equipo.

En vez de esto, póngase en contacto con un centro de servicio autorizado Makita para solicitar que reafilen y vuelvan a balancear las cuchillas de corte desafiladas.

Lubricación de las piezas móviles

AVISO: Siga la instrucción sobre la frecuencia y cantidad de grasa suministrada. De lo contrario, una lubricación insuficiente podría dañar las piezas móviles.

Caja de engranajes:

⚠️ PRECAUCIÓN: No aplique la grasa cuando la caja de engranajes esté caliente. Una caja de engranajes caliente puede provocar lesiones por quemaduras.

Aplique grasa (Shell Alvania 2 o equivalente) a la caja de engranajes a través del orificio para el engrasado aproximadamente cada 30 horas de trabajo.

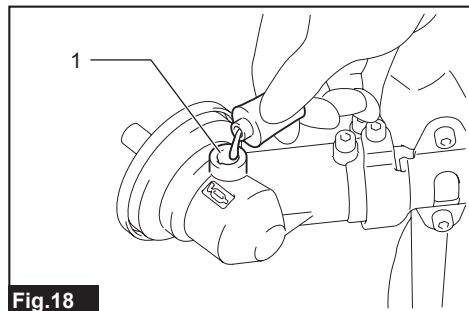


Fig.18

► 1. Orificio para el engrasado

Reemplazo del cordón de nailon

⚠️ ADVERTENCIA: Para el cabezal de corte de nailon de tipo golpe y alimentación, asegúrese de que la cubierta del cabezal de corte de nailon esté debidamente asegurada en la carcasa tal como se describe a continuación. El no asegurar debidamente la cubierta podría causar que el cabezal de corte de nailon saliera volando ocasionando lesiones personales graves.

La manera de reemplazar el cordón de nailon varía en función del tipo de herramienta de corte. Reemplace el cordón de nailon si su alimentación ya no es posible.

Eje de transmisión:

Aplique grasa (Shell Alvania 2 o equivalente) al eje de transmisión aproximadamente cada 30 horas de trabajo.

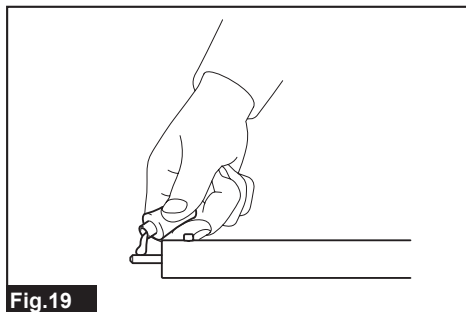
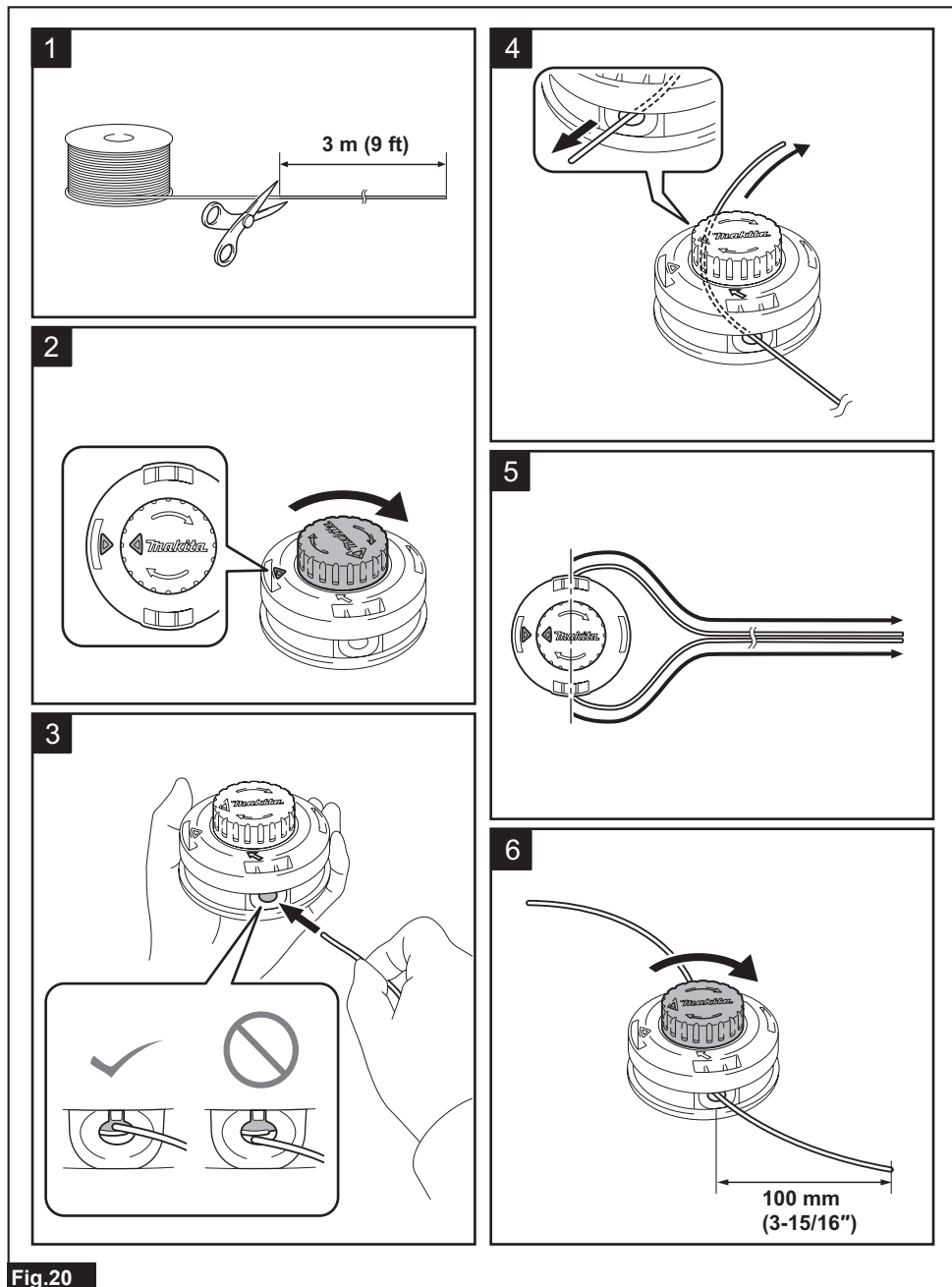


Fig.19

NOTA: Usted puede adquirir grasa original de Makita con el distribuidor Makita de su localidad.



Reemplazo de la cuchilla de plástico

Para los modelos EM403MP y EM404MP

Reemplace la cuchilla en caso de estar desgastada o rota.

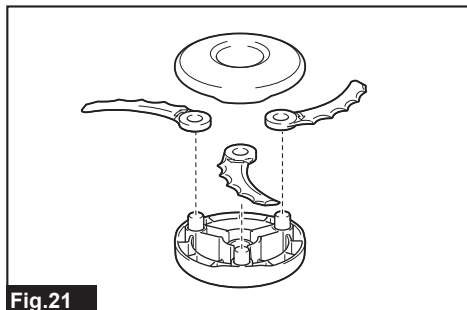


Fig.21

Cuando instale la cuchilla de plástico, alinee la dirección de la flecha en la cuchilla con la del protector.

Almacenamiento

⚠️ ADVERTENCIA: Siga las advertencias y precauciones contenidas en el capítulo “ADVERTENCIAS DE SEGURIDAD” y el manual de instrucciones de la unidad motorizada.

Cuando almacene el accesorio para desbrozadora separado de la unidad motorizada, coloque la tapa en el extremo del eje.

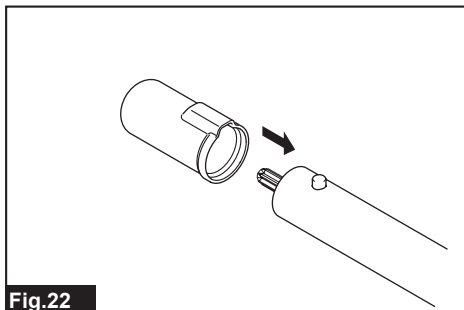


Fig.22

Intervalo de inspección y mantenimiento

Hora de operación		Antes de la operación	Diariamente (10 h)	30 h
Toda la unidad	Inspeccionar visualmente en busca de piezas dañadas	✓	-	-
Todos los tornillos y tuercas de fijación	Apretar	✓	-	-
Caja de engranajes	Suministrar grasa	-	-	✓
Eje de transmisión	Suministrar grasa	-	-	✓
Cuchilla de corte	Inspeccionar visualmente en busca de daños	✓	✓	-
Unidad motorizada	Consultar el manual de instrucciones de la unidad motorizada			

Para mantener la SEGURIDAD y FIABILIDAD del producto, las reparaciones, y cualquier otra tarea de mantenimiento o ajuste deberán ser realizadas en centros de servicio autorizados o de fábrica Makita, empleando siempre repuestos Makita.

RESOLUCIÓN DE PROBLEMAS

Antes de solicitar algún servicio de reparación, primero realice su propia inspección. Si detecta algún problema que no está explicado en el manual, no intente desmantelar la máquina. En vez de esto, póngase en contacto con un centro de servicio autorizado Makita, usando siempre piezas de repuesto Makita para la reparación.

Estado de la anomalía	Causa probable (avería)	Remedio
El motor no arranca.	-	Consulte el manual de instrucciones de la unidad motorizada.
El motor se detiene enseguida.	-	Consulte el manual de instrucciones de la unidad motorizada.
La velocidad del motor no se incrementa.	-	Consulte el manual de instrucciones de la unidad motorizada.
La herramienta de corte no gira. ⇒ Detenga el motor de inmediato.	El accesorio de la herramienta de corte está suelto.	Apriételo firmemente.
	En la herramienta de corte se quedó atrapada una rama pequeña.	Retire el objeto extraño.
	Sistema de accionamiento anómalo	Solicite la reparación a un centro de servicio autorizado.
La unidad principal vibra de forma anormal. ⇒ Detenga el motor de inmediato.	La herramienta de corte está rota, doblada o desgastada	Reemplace la herramienta de corte.
	El accesorio de la herramienta de corte está suelto.	Apriételo firmemente.
	Un extremo del cordón cortador de nailon se ha roto y el cabezal de corte de nailon está desbalanceado.	Alimente el cordón cortador de nailon golpeando ligeramente el cabezal de corte de nailon contra el suelo.
	El accesorio de la herramienta de corte es irregular.	Colóquelo adecuadamente.
La cuchilla de corte no se detiene de inmediato. ⇒ Detenga el motor de inmediato.	La unidad motorizada no funciona correctamente.	Consulte el manual de instrucciones de la unidad motorizada.
	No se puede alimentar el cordón cortador de nailon.	El cordón se ha desgastado o está enredado en el carrete.
El cordón cortador de nailon no está cortado en la longitud correcta.	La cuchilla de corte del cordón en el protector está dañada o hace falta.	Solicite la reparación a un centro de servicio autorizado.
	El cordón se extiende más allá del protector.	Rebobine el cordón.

Makita Corporation
3-11-8, Sumiyoshi-cho,
Anjo, Aichi 446-8502 Japan
www.makita.com

885598D943
EM403MP-4
EN, FRCA, ESMX
20211110