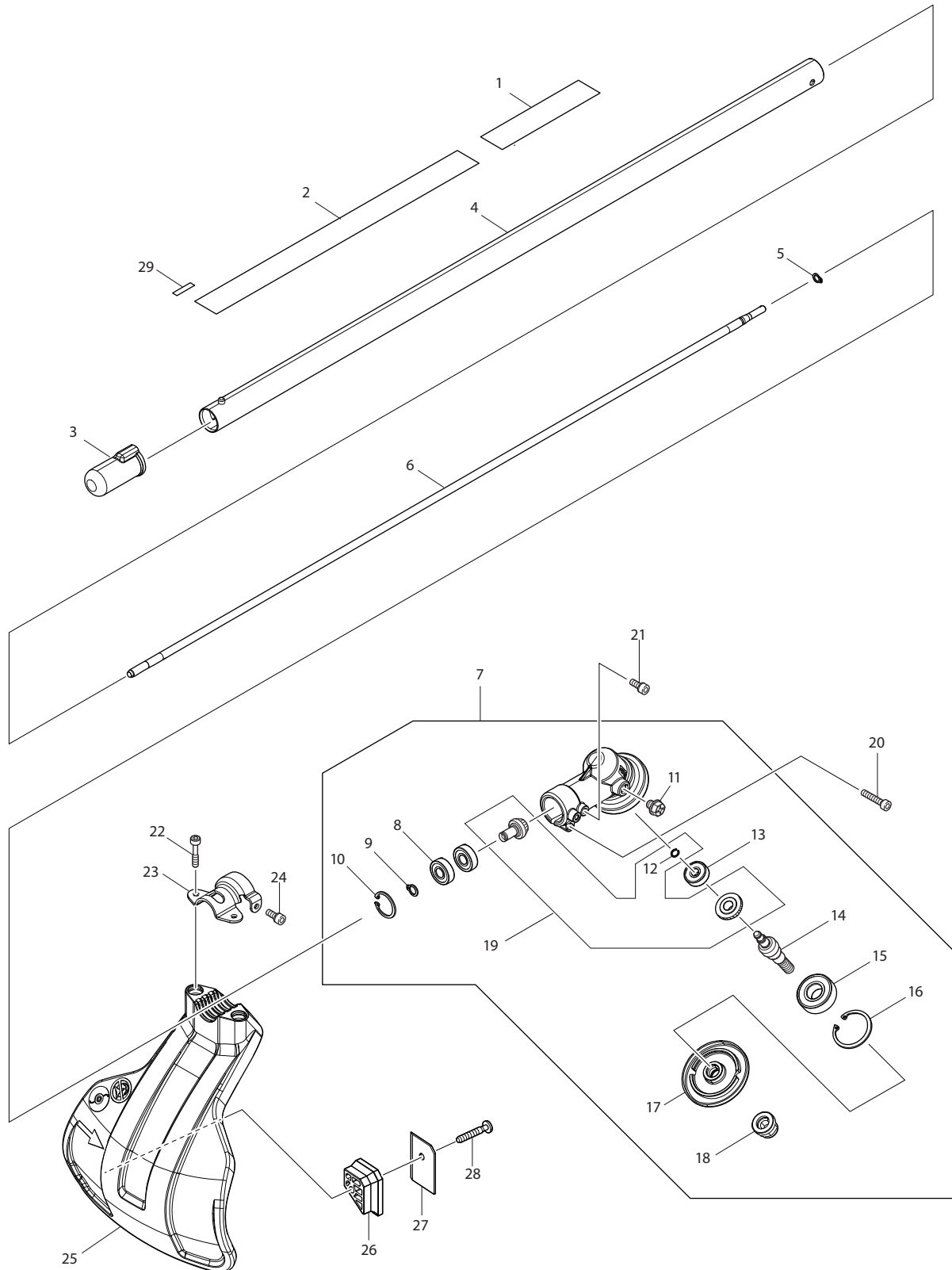




07 - 2017  
EM405MP

# Line Trimmer Attachment, narrow guard



Item No.	Type Sub	Part No.	Description	Qty	Unit
001		819312-8	MAKITA LOGO LABEL	1	PC
002		813M13-8	CAUTION LABEL	1	PC
003		424434-7	CAP 24	1	PC
004		141010-9	SHAFT PIPE A COMPLETE	1	PC
005		961003-8	RETAINING RING S-7	1	PC
006	2	327723-8	SHAFT A	1	PC
007		123975-7	GEAR CASE ASSEMBLY US	1	PC
	INC.		Item No. 8-11,13-19		
008		210049-4	BALL BEARING 609ZZ	2	PC
009		257986-1	RETAINING RING (EXT) S-9	1	PC
010		257987-9	RETAINING RING (INT)R-24	1	PC
011		265590-2	+HEX.BOLT M8X10 WITH R	1	PC
012		232350-7	RING SPRING 6	1	PC
013		210030-5	BALL BEARING 627ZZ	1	PC
014		326853-2	CUTTER SHAFT	1	PC
015		211228-7	BALL BEARING 6202DDW	1	PC
016		257432-4	RETAINING RING R-35	1	PC
017		144312-2	RECEIVE WASHER COMPLETE	1	PC
018		252236-9	HEX. LOCK NUT M10-17	1	PC
019		183J06-4	SPIRAL BEVEL GEAR SET	1	PC
	INC.		Item No. 12		
020		922242-5	HEX. SOCKET HEAD BOLT M5X25	1	PC
021		922216-6	HEX. SOCKET HEAD BOLT M5X14	1	PC
022		251513-6	H.S.H.BOLT M5X25	2	PC
023		347107-4	PROTECTOR CLAMP 24	1	PC
024		922216-6	HEX. SOCKET HEAD BOLT M5X14	1	PC
025		457273-0	PROTECTOR N 420-450	1	PC
026		457794-2	CUTTER EXTENSION	1	PC
027		347115-5	CUTTER	1	PC
028		266553-1	TAPPING SCREW 5X30	1	PC
029		814A82-0	DATE CODE LABEL	1	PC
<b><u>ACCESSORIES</u></b>		<b>- Visit <a href="http://www.makita.ca">www.makita.ca</a> for more accessories information -</b>			
A01		782238-6	BOX WRENCH 17	1	PC