



<b>EN</b>	Cordless Job Site Speaker	Instruction manual
<b>FRCA</b>	Enceinte de chantier sans fil	Manuel d'utilisation
<b>ES</b>	Altavoz Inalámbrico de Trabajo	Manual de instrucciones
<b>PT</b>	Alto-Falante Portátil a Bateria para Ambientes de Trabalho	Manual de instruções

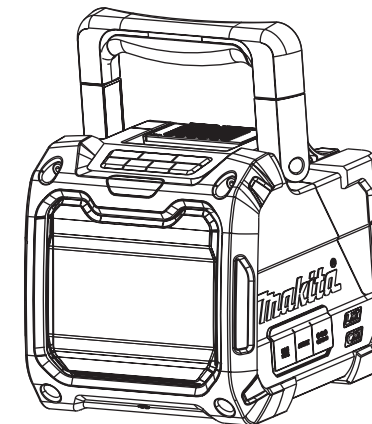
Makita Corporation  
3-11-8, Sumiyoshi-cho,  
Anjo, Aichi 446-8502 Japan

3A81b35Z3000B  
DMR200(12VMAX)-NA4-1707

[www.makita.com](http://www.makita.com)

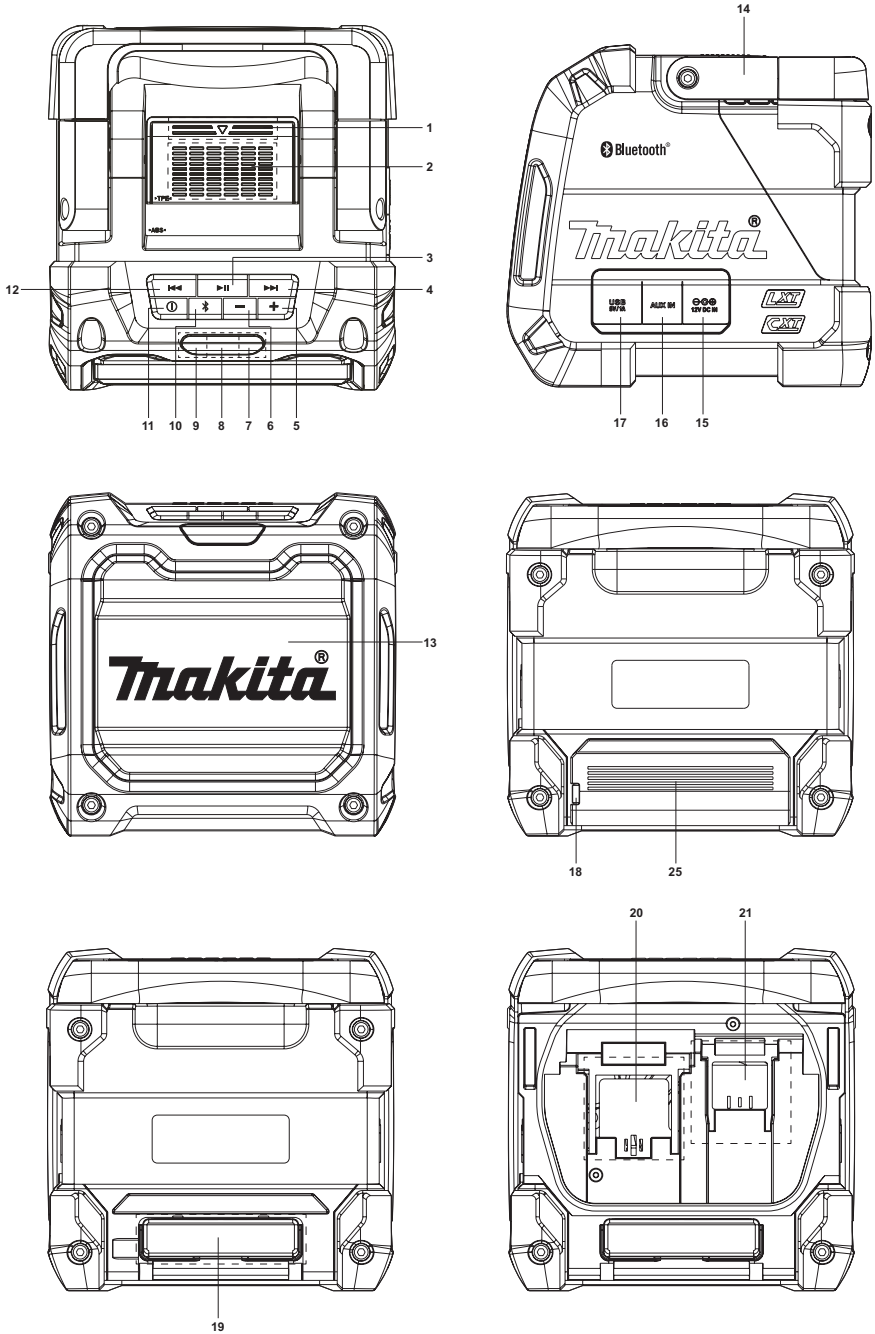
SJN

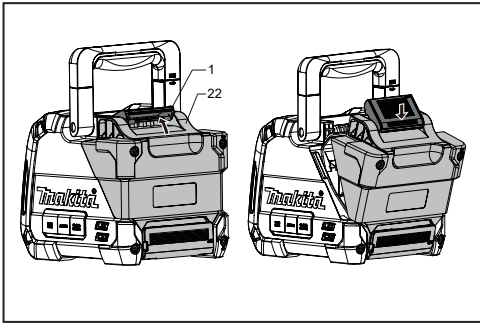
## DMR200 DMR200C



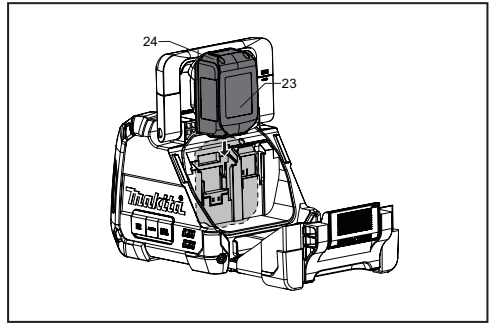
**IMPORTANT:** Read Before Using  
**IMPORTANT:** Lisez les instructions avant l'utilisation.  
**IMPORTANTE:** Leer antes de usar.  
**IMPORTANTE:** Leia antes de usar.

# Explanation of general view

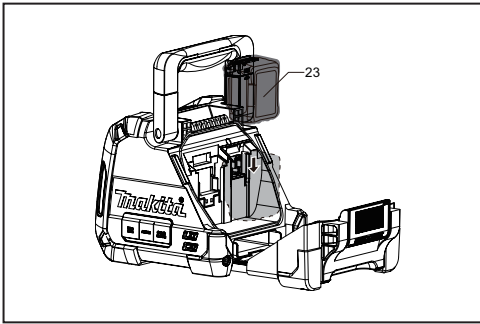




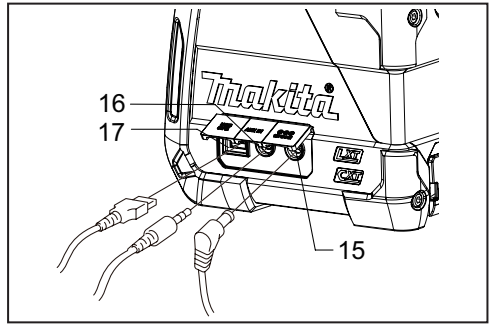
2



3



4



5

## ENGLISH (Original instructions)

### Symbols

The following show the symbols used for the equipment. Be sure that you understand their meaning before use.



Read instruction manual.

## IMPORTANT SAFETY INSTRUCTIONS

### ⚠WARNING:

When using electric tools, basic safety precautions should always be followed to reduce the risk of fire, electric shock, and personal injury, including the following:

1. Read this instruction manual and the charger instruction manual carefully before use.
2. Clean only with dry cloth.
3. Do not install near any heat sources such as radiators, heat registers, stoves, or other apparatus (including amplifiers) that produce heat.
4. Only use attachments/accessories specified by the manufacturer.
5. Unplug this apparatus during lightning storms or when unused for long periods of time.
6. A battery operated speaker with integral batteries or a separate battery pack must be recharged only with the specified charger for the battery. A charger that may be suitable for one type of battery may create a risk of fire when used with another battery.
7. Use battery operated speaker only with specifically designated battery packs. Use of any other batteries may create a risk of fire.
8. When battery pack is not in use, keep it away from other metal objects like: paper clips, coins, keys, nails, screws, or other small metal objects that can make a connection from one terminal to another. Shorting the battery terminals together may cause sparks, burns, or a fire.
9. Avoid body contact with grounded surfaces such as pipes, radiators, ranges and refrigerators. There is an increased risk of electric shock if your body is grounded.
10. Under abusive conditions, liquid may be ejected from the battery; avoid contact. If contact accidentally occurs, flush with water. If liquid contacts eyes, additionally seek medical help. Liquid ejected from the battery may cause irritation or burns.
11. The MAINS plug is used as the disconnect device, and it shall remain readily operable.

## SAVE THESE INSTRUCTIONS

### SPECIFIC SAFETY RULES

#### FOR BATTERY CARTRIDGE

1. Before using battery cartridge, read all instructions and cautionary markings on (1) battery charger, (2) battery, and (3) product using battery.
2. Do not disassemble battery cartridge.
3. If operating time has become excessively shorter, stop operating immediately. It may result in a risk of overheating, possible burns and even an explosion.

4. If electrolyte gets into your eyes, rinse them out with clear water and seek medical attention right away. It may result in loss of your eyesight.
5. Do not short the battery cartridge:
  - (1) Do not touch the terminals with any conductive material.
  - (2) Avoid storing battery cartridge in a container with other metal objects such as nails, coins, etc.
  - (3) Do not expose battery cartridge to water or rain. A battery short can cause a large current flow, overheating, possible burns and even a breakdown.
6. Do not store the tool and battery cartridge in locations where the temperature may reach or exceed 50 °C(122°F)
7. Do not incinerate the battery cartridge even if it is severely damaged or is completely worn out. The battery cartridge can explode in a fire.
8. Be careful not to drop or strike battery.
9. Do not use a damaged battery.

Tips for maintaining maximum battery life

1. Charge the battery cartridge before completely discharged. Always stop tool operation and charge the battery cartridge when you notice less tool power.
2. Never recharge a fully charged battery cartridge. Overcharging shortens the battery service life.
3. Charge the battery cartridge with room temperature at 10 °C - 40 °C (50 °F - 104 °F). Let a hot battery cartridge cool down before charging it.
4. Charge the battery cartridge if you do not use it for a long period (more than six months).

#### For Canada:

##### Cautions to the user

The changes or modifications not expressly approved by the party responsible for compliance could void the user's authority to operate the equipment.

##### RF exposure statements

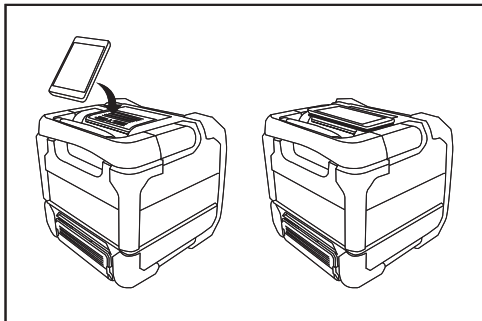
To comply with the IC RF exposure compliance requirements, the antenna(s) used for this transmitter must be installed to provide a separation distance of at least 20 cm from all persons and must not be co-located or operating in conjunction with any other antenna or transmitter. No change to the antenna or the device is permitted. Any change to the antenna or the device could result in the device exceeding the RF exposure requirements and void user's authority to operate the device.

This device complies with Industry Canada licence-exempt RSS standard(s).

Operation is subject to the following two conditions: (1) this device may not cause interference, and (2) this device must accept any interference, including interference that may cause undesired operation of the device.

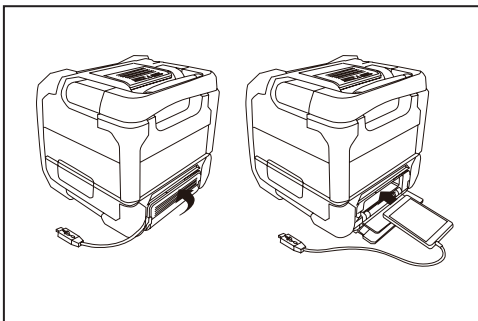
## Explanation of general view (Fig.1)

1. Battery compartment locker
2. Mobile (Cell phone) placing panel



3. Play/Pause button
4. Next track button/Fast-forward button
5. Volume up button
6. Volume down button
7. Aux in indicator
8. Volume max. or min. indicator/ Low battery indicator
9. Bluetooth indicator
10. Bluetooth pairing button
11. Power button
12. Previous track button/ Rewind button
13. Speaker
14. Handle
15. DC in socket
16. Auxiliary input socket
17. USB charging socket

18. Cable hole
19. Mobile (Cell phone) storage cabinet



20. 14.4 V/18V battery terminal
21. 10.8 V battery terminal
22. Battery cover
23. Battery cartridge
24. Button
25. Mobile storage cabinet cover

## Power

The speaker can be powered by Makita battery packs or a standard wall outlet.

## Power by battery

The following table indicates the operating time on a single charge.

Battery capacity	Battery Cartridge Voltage			AT SPEAKER OUTPUT = 100mW (unit: Hour) (Approximately)			
	10.8V -12Vmax	14.4V	18V	AUX IN	Bluetooth	AUX IN +USB(2.1A)	Bluetooth +USB(2.1A)
1.3Ah		BL1415	BL1815	7.5	7.0		1.0
1.5Ah	BL1016			12	11		1.0
		BL1415N		10	9.0		1.0
2.0Ah			BL1815N	9.5	9.0		1.5
	BL1021B			15	14		1.0
3.0Ah		BL1430/ BL1430B		16	15		2.0
			BL1830/ BL1830B	18	17		3.0
4.0Ah	BL1041B			31	28		2.5
		BL1440		26	24		3.0
5.0Ah			BL1840/ BL1840B	25	24		4.0
		BL1450		31	29		3.5
6.0Ah			BL1850/ BL1850B	32	31		5.5
		BL1460B		34	32		4.0
		BL1860B		39	37		6.5

## Installing or removing slide battery cartridge (Fig. 3 and 4)

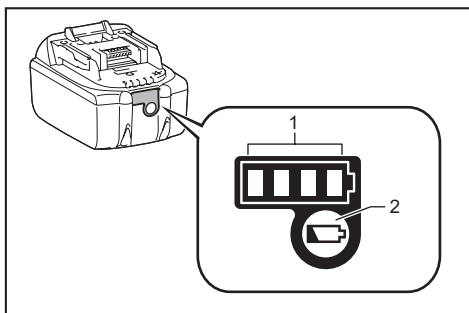
- To install the battery cartridge, align the tongue on the battery cartridge with the groove in the housing and slip it into place. Always insert it all the way until it locks in place with a little click.
- If you can see the red indicator on the upper side of the button, it is not locked completely. Install it fully until the red indicator cannot be seen. If not, it may accidentally fall out of the tool, causing injury to you or someone around you.
- Do not use force when inserting the battery cartridge. If the cartridge does not slide in easily, it is not being inserted correctly.
- To remove the battery cartridge, sliding it from the tool while pressing the button on the front of the cartridge.

### Note:

When the speaker is in low battery, the middle LED will flash in red.

## Indicating the remaining battery capacity

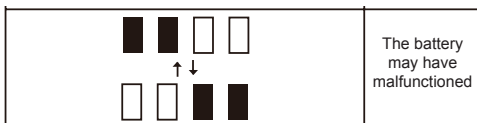
Only for battery cartridges with "B" at the end of the model number



- 1. Indicator lamps 2. Check button

Press the check button on the battery cartridge to indicate the remaining battery capacity. The indicator lamps light up for few seconds.

Indicator lamps			Remaining capacity
Lighted	Off	Blinking	
■	□	▩	75% to 100%
■	■	■	
■	■	□	50% to 75%
■	□	□	25% to 50%
■	□	□	0% to 25%
▩	□	□	Charge the battery



**NOTE:** Depending on the conditions of use and the ambient temperature, the indication may differ slightly from the actual capacity.

## Using Supplied AC power adaptor (Fig. 5)

Remove the rubber protector and insert the adaptor plug into the DC socket on the right side of the speaker. Plug the adaptor into a standard mains socket outlet. Whenever the adaptor is used, the battery pack is automatically disconnected. The AC adaptor should be disconnected from the main supply when not in use.

### IMPORTANT:

The mains adaptor is used as the means of connecting the speaker to the mains supply. The mains socket used for the speaker must remain accessible during normal use. In order to disconnect the speaker from the mains completely, the mains adaptor should be removed from the mains outlet completely.

## USB power supply socket

This jack can be used to charge a mobile phone or any other device that uses less than 2.1A of DC current. Charging will only occur when the speaker is switched on. **Note:** Ensure the specification of your external device such as mobile phone, mp3 player or iPod is compatible with the speaker. Please read instruction manual of your external device before charging.

### IMPORTANT:

- Before connecting USB device to the charger, always backup your data of USB device. Otherwise your data may lose by any possibility.
- The charger may not supply power to some USB devices.
- When not using or after charging, remove the USB cable and close the cover.
- Do not connect power source to USB port. Otherwise there is risk of fire. The USB port is only intended for charging lower voltage device. Always place the cover onto the USB port when not charging the lower voltage device.
- Do not insert a nail, wire, etc. into USB power supply port. Otherwise a circuit short may cause smoke and fire.
- Do not connect this USB socket with your PC USB port, as it is highly possible that it may cause breakdown of the units.


## Pairing and connecting a device to the speaker

You need to pair your Bluetooth device with the speaker before you can auto-link to play/stream Bluetooth music through the speaker. Pairing creates a 'bond' so two

devices can recognize each other.

To have the better sound quality, we recommend setting the volume to more than two-thirds level on your Bluetooth device and then adjust the volume on the speaker as required.

## Pairing and playing your Bluetooth device for the first time

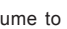
1. Press the Power button  to turn on the speaker and the Bluetooth indicator will flash in blue. The indicator flashes fast flashing blue indicating the speaker is discoverable.
2. Activate Bluetooth on your device according to the device's user manual to link to the speaker. Locate the Bluetooth device list and select the device named 'DMR200.' With some mobiles (which are equipped with earlier versions than BT2.1 Bluetooth device), you may need to input the pass code "0000".
3. Once connected, there will be a beep sound and the Bluetooth indicator will remain in solid blue. You can simply select and play any music from your source device. Volume control can be adjusted from your source device, or directly from the speaker.
4. Use the controls on your Bluetooth-enabled device or on the speaker to play/pause and navigate tracks.

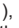


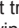

### Note:

1. If 2 Bluetooth devices, pairing for the first time, both search for the speaker, it will show its availability on both devices. However, if one device links with this unit first, then the other Bluetooth device won't find it on the list.
2. If your Bluetooth device is temporarily disconnected to the speaker, then you need to manually reconnect your device again to the speaker.
3. If 'DMR200' shows in your Bluetooth device list but your device cannot connect with it, please delete the item from your list and pair the device with the speaker again following the steps described previously.
4. The effective operation range between the system and the paired device is approximately 10 meters (30 feet). Any obstacle between the system and the device can reduce the operational range.
5. Bluetooth connectivity performance may vary depending on the connected Bluetooth devices. Please refer to the Bluetooth capabilities of your device before connecting to the speaker. All features may not be supported on some paired Bluetooth devices.

## Playing audio files in Bluetooth mode

When you have successfully connected the speaker with the chosen Bluetooth device you can start to play your music using the controls on your connected Bluetooth device.

1. Once playing has started adjust the volume to the required setting using the Volume buttons  on the speaker or on your enabled Bluetooth device. When you press the Volume up/down button, the volume indicator will flash in fast flashing red. If the indicator light in solid red, it indicates the volume is in maximum volume or minimum volume.

2. Use the controls on your device to play/pause and navigate tracks. Alternatively, control the playback using Play/Pause () , Next track () , Previous track buttons () on the speaker.
3. Press and hold the Next track  or Previous button  to fast-forward/Rewind the current track. Release the button when the desired point in the track is reached.


### Note:

1. That not all player applications or devices may respond to all of these controls.
2. Some mobile phones may temporarily disconnect from the speaker when you make or receive calls. Some devices may temporarily mute their Bluetooth audio streaming when they receive text messages, emails or for other reasons unrelated to audio streaming. Such behaviour is a function of the connected device and does not indicate a fault with the speaker.

## Speaker memory and reconnecting a device

The speaker can memorize up to 8 sets of paired device, when the memory exceed this amount, the oldest pairing history will be over written. If your Bluetooth device already paired with the speaker previously, the unit will memorize your Bluetooth device and it attempts to reconnect with a device in memory which is last connected. If the last connected device is not available, the speaker will be discoverable.

## Disconnecting your Bluetooth device

Press and hold the Bluetooth pairing button  for 2-3 seconds to disconnect with your Bluetooth device. The Bluetooth indicator flashes in blue indicating the speaker is discoverable again for pairing.

## Playing music via auxiliary input socket

A 3.5mm Auxiliary input socket is provided on the right side of the unit to permit an audio signal to be fed into the unit from any devices that features a headphone or audio output, such as an iPod, MP3 or CD player.

1. Connect a stereo or mono audio source (for example, iPod, MP3 or CD player) to the Auxiliary input socket (marked 'AUX') and the Aux in indicator turns green indicating the speaker is in auxiliary input mode.
2. Adjust the Volume control on your iPod, MP3 or CD player to ensure an adequate signal and then adjust the volume on the speaker for comfortable listening.
3. To have the better sound quality, we recommend setting the volume to more than two-thirds level on your audio device and then adjust the volume on the speaker as required.

### Note:

When Aux in socket is connected an audio device, Bluetooth function will be disabled to minimize power consumption.

## MAINTENANCE

### CAUTION:

- Never use gasoline, benzene, thinner, alcohol or the like. Discoloration, deformation or cracks may result.

## Specification

### Amplifier

Output power	10.8V:3.5W 14.4V:6W 18V:10W
Frequency response	50Hz~20kHz

### Aux In

Input sensitivity	250mVrms @100Hz
-------------------	-----------------

### Speaker

Main speaker	101.6mm 8 ohm 10W
Tweeter speaker	36mm 8ohm 10W

## Bluetooth

Bluetooth version	4.0
Bluetooth profiles	A2DP/ SCMS-T/ AVRCP
Transmission power	Bluetooth specification power Class 2
Transmission range	Max. 10m (varies according to usage conditions)
Supported codec	SBC
Compatible Bluetooth profile	A2DP

## General

AC power adaptor	DC in 12V 1.5A, center pin positive
Battery	Slide battery: 10.8V-12Vmax / 14.4 V/ 18 V
Weight	2.7KG (without battery)

The company reserves the right to amend the specification without notice.



## FRANCAIS (Instructions d'origine)

### Symboles

Les symboles utilisés pour l'équipement sont affichés ci-dessous. Soyez sûr de tout comprendre avant toute utilisation.



Lisez le manuel d'utilisation.

## INSTRUCTIONS IMPORTANTES DE SECURITE

### ⚠ AVERTISSEMENT :

Lorsque vous utilisez des outils électriques, des précautions de base devraient toujours être suivies pour réduire le risque d'incendie, d'électrocution et de blessures, notamment les précautions suivantes :

1. Lisez ce manuel d'utilisation attentivement ainsi que le manuel d'utilisation du chargeur avant de l'utiliser.
2. Nettoyez avec un chiffon sec.
3. N'installez pas à proximité de sources de chaleur telles que radiateurs, registre de chaleur, poêle ou autres appareils (y compris les amplificateurs) qui produisent de la chaleur.
4. N'utilisez que les extensions/accessoires spécifiés par le fabricant.
5. Débranchez cet appareil lors des orages ou lorsqu'il est inutilisé pendant une longue période.
6. Un haut-parleur commandé par une batterie avec batteries intégrées ou par une batterie externe doit être rechargé qu'avec le chargeur spécifié pour la batterie. Un chargeur qui est adaptée pour un type de batterie peut provoquer un risque d'incendie lorsqu'il est utilisé avec une autre batterie.
7. Utilisez le haut-parleur commandé par la batterie uniquement avec des batteries externes spécifiquement désignées. L'utilisation d'autres batteries peut provoquer un risque d'incendie.
8. Lorsque la batterie externe n'est pas utilisée, veuillez le tenir éloigné des autres objets métalliques tels que : les trombones, les pièces de monnaie, les clés, les clous, les vis ou les autres petits objets métalliques qui peuvent établir une connexion d'une borne à un autre. Court-circuiter les bornes de la batterie peut provoquer des étincelles, des brûlures ou un incendie.
9. Évitez tout contact corporel avec des surfaces reliées à la terre telles que les tuyaux, les radiateurs, les cuisinières et les réfrigérateurs. Il y a un risque accru de choc électrique si votre corps est relié à la terre.
10. Dans des conditions extrêmes, du liquide peut être éjecté depuis la batterie; évitez tout contact avec le liquide. En cas de contact accidentel, rincez avec de l'eau. Si le liquide rentre en contacte avec les yeux, consultez un médecin. Le liquide éjecté depuis la batterie peut causer des irritations ou des brûlures.
11. Les prises SECTEUR sont utilisées comme dispositif de déconnexion, et elles doivent rester facilement accessible.

## ENREGISTRER SES INSTRUCTIONS

### REGLES SPECIFIQUES DE SECURITE

#### POUR LA CARTOUCHE DE BATTERIEE

1. Avant d'utiliser la cartouche de batterie, lire toutes les instructions et les avertissements concernant (1) le chargeur de batterie, (2) la batterie, et (3) l'équipement utilisant la batterie.

2. Ne démontez pas la cartouche de batterie
3. Si le temps de fonctionnement devient excessivement court, cessez immédiatement l'utilisation. Il peut en résulter un risque de surchauffe, de brûlures et même d'explosion.
4. Ne l'électrolyte pénètre dans vos yeux, rincez-les à l'eau claire et consultez un médecin immédiatement. Cela peut entraîner une perte de la vue.
5. Ne court-circuitez pas la cartouche de la batterie :
  - (1) Ne touchez pas les bornes avec un matériau conducteur.
  - (2) Évitez de ranger la cartouche de la batterie dans un conteneur avec d'autres objets métalliques tels que des clous, des pièces de monnaie, etc.
  - (3) N'exposez pas la cartouche de la batterie à l'eau ou à la pluie. Un court-circuit de la batterie peut provoquer un fort courant, une surchauffe, des brûlures et même une panne.
6. Ne rangez pas l'outil ou la cartouche de la batterie dans des endroits où la température peut atteindre ou dépasser 50 °C (122 °F)
7. N'incinerez pas la cartouche de la batterie même si elle est sérieusement endommagée ou complètement usée. La cartouche de la batterie peut exploser dans un feu.
8. Veillez ne pas laisser tomber ou heurter la batterie.
9. N'utilisez pas de batterie endommagée.

Conseils pour maintenir la durée de vie de la batterie au maximum

1. Chargez la cartouche de la batterie avant qu'elle ne soit complètement déchargée. Arrêtez toujours le fonctionnement de l'équipement et rechargez la cartouche de la batterie lorsque vous remarquez que la puissance de l'équipement est faible.
2. Rechargez jamais une cartouche de batterie qui est déjà complètement chargée. La surcharge réduit la durée de vie de la batterie.
3. Rechargez la cartouche de batterie à une température ambiante de 10 °C - 40 °C (50 °F - 104 °F) Laissez la cartouche de batterie chaude se refroidir avant de la charger.
4. Rechargez la cartouche de batterie si vous ne l'utilisez pas pendant une longue période (plus de six mois).

#### Pour le Canada :

##### Attention à l'intention de l'utilisateur

Tout changement ou modification non expressément approuvés par la partie responsable de la conformité peut entraîner l'annulation du droit de l'utilisateur à utiliser cet appareil.

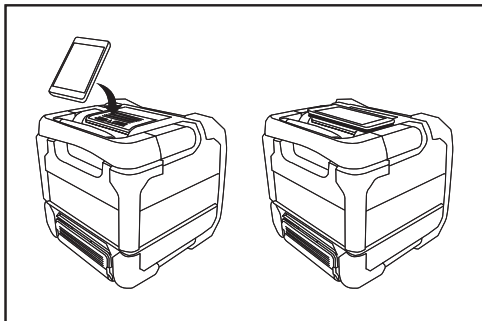
##### Énoncé sur l'exposition aux RF

Pour répondre aux exigences de conformité à l'exposition RF IC, l'antenne utilisée avec l'émetteur doit être installée pour permettre une distance de séparation d'au moins 20 cm de toute personne et ne doit pas être placée à côté ou fonctionner conjointement avec une autre antenne ou un autre émetteur. Aucun changement sur l'antenne ou sur l'appareil n'est autorisé. Tout changement sur l'antenne ou l'appareil pourrait amener l'appareil à dépasser les exigences d'exposition RF et annuler le droit de l'utilisateur d'utiliser l'appareil.

Le présent dispositif est conforme aux CNR d'Industrie Canada applicables aux appareils exempts de licence. L'exploitation est autorisée aux deux conditions suivantes : (1) le dispositif ne doit pas produire de brouillage, et (2) le dispositif doit accepter tout brouillage radioélectrique subi, même si le brouillage est susceptible de compromettre le fonctionnement du dispositif.

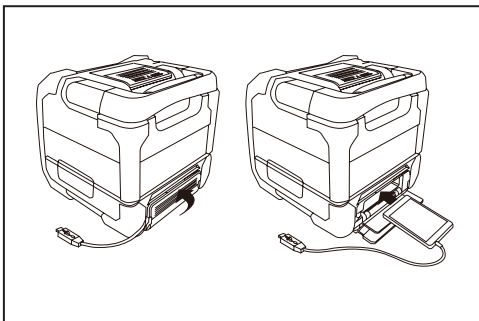
## Interprétation de la vue générale (Fig.1)

1. Casier du compartiment pour batterie
2. Panneau pour placer le portable (téléphone cellulaire)



3. Bouton Lecture/Pause
4. Bouton piste suivante/Bouton avance rapide
5. Bouton Augmenter le volume
6. Bouton Diminuer le volume
7. Voyant d'entrée auxiliaire
8. Voyant max. et min. du volume/ Voyant de batterie faible
9. Voyant de Bluetooth
10. Bouton de couplage du Bluetooth
11. Bouton d'alimentation
12. Bouton piste précédente/ Bouton reculer
13. Haut-parleur
14. Poignée
15. Prise en DC
16. Prise d'entrée auxiliaire
17. Prise de recharge USB

18. Trou du câble
19. Armoire de rangement pour portable (téléphone cellulaire)



20. Borne de batterie 14.4 V/18V
21. Borne de batterie 10.8 V
22. Couvercle de la batterie
23. Cartouche de batterie
24. Bouton
25. Couvercle de l'armoire de stockage du portable

## Alimentation

Le haut-parleur peut être alimenté par des blocs batteries Makita ou par une prise murale standard.

## Alimentation par batterie

Le tableau suivant indique le temps de fonctionnement sur une seule charge.

Capacité de la batterie	Tension de la cartouche de batterie			A la sortie du Haut-Parleur = 100 mW (unité: Heure) (Approximativement)			
	10.8V -12Vmax	14.4V	18V	AUX IN	Bluetooth	AUX IN +USB(2.1A)	Bluetooth +USB(2.1A)
1.3Ah		BL1415	BL1815	7.5	7.0		1.0
		BL1016		12	11		1.0
1.5Ah		BL1415N		10	9.0		1.0
			BL1815N	9.5	9.0		1.5
2.0Ah	BL1021B			15	14		1.0
			BL1820/ BL1820B	13	12		2.0
3.0Ah		BL1430/ BL1430B		16	15		2.0
			BL1830/ BL1830B	18	17		3.0
4.0Ah	BL1041B			31	28		2.5
		BL1440		26	24		3.0
			BL1840/ BL1840B	25	24		4.0
5.0Ah		BL1450		31	29		3.5
			BL1850/ BL1850B	32	31		5.5
6.0Ah		BL1460B		34	32		4.0
			BL1860B	39	37		6.5

## Installation ou retrait de la cartouche de batterie amovible (fig. 3 et 4)

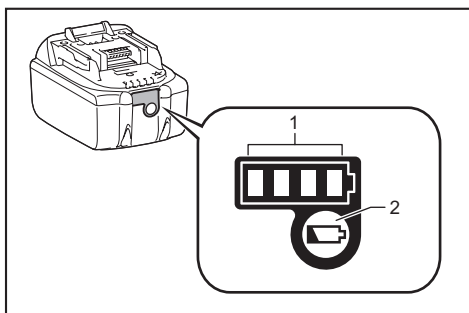
- Pour installer la cartouche de batterie, alignez la languette de la cartouche de batterie avec la rainure dans le boîtier et faites le glisser en place. Insérez-la toujours complètement jusqu'à ce qu'elle se verrouille en place avec un petit clic.
- Si vous pouvez voir le voyant rouge sur la face supérieure du bouton, cela signifie qu'elle n'est pas parfaitement verrouillée. Installez-la entièrement jusqu'à ce que le voyant rouge ne soit plus visible.
- Sinon, elle risque de tomber accidentellement de l'équipement, causant un préjudice à vous ou à quelqu'un d'autre autour de vous.
- N'utilisez pas la force lors de l'insertion de la cartouche de batterie. Si la batterie ne glisse pas facilement, elle n'est pas insérée correctement. Pour retirer la batterie, faites-la glisser de l'équipement tout en appuyant sur le bouton sur la face avant de la cartouche.

### Remarque :

Lorsque le haut-parleur a un niveau de batterie faible, la LED centrale clignotera en rouge.

## Indiquant la capacité restante de la batterie

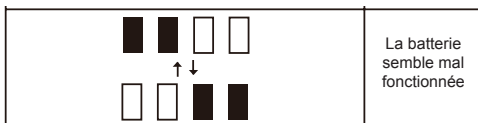
Uniquement pour les cartouches de batterie avec "B" à la fin du numéro de modèle



► 1. Voyant des Lampes 2. Bouton de vérification

Appuyez sur le bouton de vérification sur la cartouche de batterie pour indiquer la capacité restante de la batterie. Les voyants sont allumés pendant quelques secondes.

Voyant des lampes			Capacité restante
Allumé	Eteintes	Clignotant	
■	□	◐	75% to 100%
■ ■ ■ ■	□ □ □ □	◐ ◐ ◐ ◐	
■	□	◐	50% to 75%
■ ■ ■ ■	□ □ □ □	◐ ◐ ◐ ◐	
■	□	◐	25% to 50%
■ ■ ■ ■	□ □ □ □	◐ ◐ ◐ ◐	
■	□	◐	0% to 25%
■ ■ ■ ■	□ □ □ □	◐ ◐ ◐ ◐	
◐	□	◐	Rechargez la batterie



La batterie semble mal fonctionnée

**REMARQUE :** Selon les conditions d'utilisation et la température ambiante, le voyant peut différer légèrement de la capacité réelle.

## En utilisant l'adaptateur secteur fourni (fig. 5)

Retirez la protection en caoutchouc et insérez l'adaptateur dans la prise DC sur le côté droit de haut-parleur. Branchez l'adaptateur dans une prise secteur standard. Chaque fois que l'adaptateur est utilisé, la batterie est automatiquement déconnectée. L'adaptateur secteur doit être déconnecté de l'alimentation principale en cas de non utilisation.

### IMPORTANT :

La prise secteur est utilisée comme moyen de connecter la radio à l'alimentation secteur. La prise secteur utilisée pour la radio doit rester accessible durant l'utilisation normale. Afin de déconnecter la radio du secteur, la prise secteur doit être enlevée complètement de la prise d'alimentation secteur.

## Prise d'alimentation USB fournie

Cette prise peut être utilisée pour charger un téléphone mobile ou tout autre appareil qui utilise moins de 2,1 A de courant continu. La recharge ne se fera que lorsque le haut-parleur est allumé.

**Remarque :** Vérifiez la spécification de votre périphérique externe tel que le téléphone portable, le lecteur mp3 ou iPod est compatible avec le haut-parleur. Veuillez lire le manuel d'utilisation de votre appareil externe avant de le charger.

### IMPORTANT :


- Avant de connecter un périphérique USB au chargeur, toujours sauvegarder vos données du périphérique USB. Sinon, vous pourriez perdre tout vos données.
- Le chargeur peut ne pas alimenter certains périphériques USB.
- En cas de non utilisation ou après la charge, retirez le câble USB et fermez le couvercle.
- Ne branchez pas la source d'alimentation au port USB. Sinon, il y a risque d'incendie. Le port USB est destiné uniquement à la charge de dispositif à faible tension.
- Placez toujours le couvercle sur le port USB lorsque vous ne rechargez pas un l'appareil de faible tension.
- N'insérez pas de clou, de fil de fer, etc., dans le port d'alimentation USB. Sinon, un court-circuit peut provoquer de la fumée et du feu.
- Ne branchez pas cette prise USB avec votre port USB du PC, car il est très possible que cela peut provoquer une panne des unités.

## Coupler et connecter un appareil avec l'enceinte

Vous devez coupler votre appareil Bluetooth avec votre DMR200 avant de pouvoir relier et lire / diffuser de la musique en Bluetooth sur votre enceinte portable. Le couplage crée un lien permettant aux deux appareils de se reconnaître mutuellement.

Pour avoir une meilleure qualité sonore, nous recommandons de régler le volume à un niveau supérieur au deux tiers de la puissance maximale sur votre appareil Bluetooth, puis réglez le volume sur l'enceinte comme nécessaire.

## Coupler et utiliser votre appareil Bluetooth pour la première fois




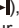



1. Appuyez sur le bouton d'alimentation  pour allumer le haut-parleur et le voyant Bluetooth clignotera bleu. L'indicateur clignote rapidement en bleu pour indiquer que l'enceinte peut être détectée.
2. Activez le Bluetooth sur votre appareil conformément au manuel d'instruction pour le relier à votre enceinte. Situez la liste des appareils Bluetooth et choisissez l'appareil nommé 'DMR200.'. Avec certains portables (équipés de versions antérieures aux appareils Bluetooth BT.2.1), vous devrez saisir un mot de passe « 0000 ».
3. Une fois connecté, il y'aura un bip sonore et l'icône Bluetooth restera allumée en bleu. Vous pouvez simplement sélectionner et jouer une musique depuis votre appareil source. Le contrôle de volume peut être réglé depuis votre appareil source ou directement depuis l'enceinte.
4. Utilisez les commandes de l'appareil avec la fonction Bluetooth ou de votre enceinte pour lire / mettre en pause et naviguer entre les pistes.

### Remarque :

1. Si 2 appareils Bluetooth, effectuent le couplage pour la première fois, les deux à la fois recherchent DMR200, il sera affiché la disponibilité sur les deux appareils. Toutefois, si l'un des d'appareils se lie avec cet appareil d'abord, l'autre appareil Bluetooth ne la trouvera pas sur la liste.
2. Si votre périphérique Bluetooth est temporairement déconnecté de votre haut-parleur, alors vous devez reconnecter manuellement votre appareil à nouveau avec le haut-parleur.
3. Si « DMR200 » est affiché dans votre liste d'appareils Bluetooth, mais que votre appareil ne peut pas se connecter avec elle, veuillez supprimer l'élément de votre liste et coupez de nouveau l'appareil avec le haut-parleur en suivant les étapes décrites précédemment.
4. La portée de fonctionnement effective entre le système et l'appareil couplé est d'environ 10 mètres (30 pieds). Tout obstacle entre le système et l'appareil risque de réduire la portée de fonctionnement.
5. La performance de connectivité Bluetooth peut varier en fonction des appareils Bluetooth connectés. Référez-vous aux fonctionnalités Bluetooth de votre appareil avant de connecter votre radio. Toutes les fonctions ne seront peut-être pas compatibles sur certains appareils Bluetooth.

## Lire des fichiers audio en mode Bluetooth

Lorsque vous avez correctement connecté votre radio avec l'appareil Bluetooth de votre choix, vous pouvez commencer à lire votre musique en utilisant les contrôles sur votre appareil Bluetooth connecté.

1. Une fois que la lecture a commencé, réglez le volume sur la valeur souhaitée en utilisant les boutons   de volume de votre haut-parleur ou sur votre appareil avec Bluetooth activé. Lorsque vous appuyez sur le bouton Volume haut / bas, le voyant de volume clignote rouge. Si le voyant est rouge permanent, il indique que le volume est au maximum ou minimum.
2. Utilisez les commandes de votre appareil pour la lecture / pause et naviguez parmi les pistes. Alternativement, contrôlez la lecture en utilisant Lecture / Pause , le bouton Piste suivante , le bouton Piste précédente  sur le haut-parleur.
3. Appuyez et maintenez le bouton Piste Suivante  ou  Piste précédente pour avancer rapidement / reculer la piste actuelle. Relâchez le bouton lorsque le point souhaité dans la piste est atteint.

### Remarque :

1. Toutes les applications de lecture ou périphériques peuvent répondre à l'ensemble de ces contrôles.
2. Certains téléphones mobiles peuvent se déconnecter temporairement de votre haut-parleur lorsque vous donnez ou recevez des appels. Certains appareils peuvent couper temporairement leur streaming audio Bluetooth quand ils reçoivent des messages texte, e-mails ou pour d'autres raisons non liées au comportement du streaming audio. Ce comportement est une fonction de l'appareil connecté et ne constitue pas un défaut de votre haut-parleur.

## Mémoire du haut-parleur et reconnexion d'un appareil

Votre haut-parleur peut mémoriser jusqu'à 8 appareils couplés, lorsque la mémoire dépasse ce nombre, le premier appareil couplé sera remplacé. Si votre appareil Bluetooth a déjà été couplé avec le haut-parleur précédemment, l'unité mémorisera votre appareil Bluetooth et essaiera de se reconnecter avec l'appareil qui a été le dernier connecté enregistré en mémoire. Si le dernier appareil connecté n'est pas disponible, le haut-parleur ne sera pas détectable.

## Déconnecter votre appareil Bluetooth

Tenez la touche Bluetooth  2-3 secondes pour déconnecter votre appareil Bluetooth. L'indicateur Bluetooth clignote en bleu pour indiquer que l'enceinte est détectable de nouveau pour le couplage.

## Lire de la musique par l'intermédiaire de la prise d'entrée auxiliaire

La société se réserve le droit de modifier les spécifications sans préavis.

Une prise d'entrée auxiliaire de 3,5 mm est prévu sur le côté droit de l'appareil pour permettre l'entrée d'un signal audio dans l'appareil de tous les périphériques qui dispose d'une sortie casque ou audio, comme un iPod, lecteur MP3 ou CD.

1. Connectez une source audio stéréo ou mono (par exemple, iPod, MP3 ou lecteur de CD) à la prise auxiliaire d'entrée (marqué «AUX») et l'indicateur AUX IN devient vert, indiquant que le haut-parleur est en mode d'entrée auxiliaire.
2. Réglez le volume de votre iPod, lecteur MP3 ou lecteur CD pour assurer un niveau de volume suffisant, utilisez ensuite la commande de réglage Volume de l'unité pour régler le volume sur un niveau d'écoute confortable.
3. Pour avoir une meilleure qualité sonore, nous recommandons de régler le volume à un niveau supérieur au deux tiers de la puissance maximale sur votre appareil audio, puis réglez le volume sur l'enceinte comme nécessaire.

### Remarque :

Afin de réduire la consommation d'énergie, la fonction Bluetooth est automatiquement désactivée lors de la connexion d'un appareil audio au connecteur audio Aux in.

## ENTRETIEN

### ⚠ AVERTISSEMENT :

- N'utilisez jamais d'essence, de benzène, de diluant, d'alcool ou produits similaires. Des décolorations, déformations ou des fissures peuvent en résulter.

## Spécification

### Amplificateur

Puissance de sortie	18V:10W
	14,4V:6W
	10,8V:3,5W
Fréquence de réponse	50 Hz ~ 20kHz

### Aux In

Sensibilité d'entrée	250 mVrms @ 100Hz
----------------------	-------------------

### Haut-parleur

Haut-parleur principal	101,6 mm 8 ohms 10W
Haut-parleur tweeter	36mm 8ohm 10W

### Bluetooth

Version Bluetooth	4.0
Profils du Bluetooth	A2DP/ SCMS-T/ AVRCP
Puissance de Transmission	Bluetooth de spécification de puissance de Classe 2
Porté de transmission	10m max. (varie selon les conditions d'utilisation)
Codec pris en charge	SBC
Profil Bluetooth Compatible	A2DP

### Général

Adaptateur secteur	DC 12V 1.5A, broche de centrale positif
Batterie de type amovible	10,8V-12Vmax / 14,4 V / 18 V
Poids	2.7KG(sans batterie)

## ESPAÑOL (Instrucciones originales)

### Simbolos

Lo siguiente muestra los símbolos usados por el equipo. Asegúrese de que entiende su significado, antes de usar el equipo.



Lea el manual de instrucciones.

## INSTRUCCIONES IMPORTANTES DE SEGURIDAD

### ⚠ ADVERTENCIA:

Cuando utilice herramientas eléctricas, para reducir el riesgo de incendio, descarga eléctrica y lesiones personales, siga siempre las precauciones básicas de seguridad, incluyendo lo siguiente:

1. Lea el manual de instrucciones y el manual de instrucciones del cargador detenidamente antes de usarlos.
2. Limpie el equipo solo con un paño seco.
3. No instale cerca de fuentes de calor, como radiadores, estufas, fuegos de cocina u otros aparatos (incluyendo amplificadores) que produzcan calor.
4. Utilice únicamente accesorios especificados por el fabricante.
5. Desenchufe este aparato durante las tormentas o cuando no vaya a usarlo por un período prolongado.
6. Un altavoz que funcione por medio de baterías bien integradas o bien independientes, solo debe cargarse con el cargador específico para la batería. Un cargador adecuado para un tipo de batería, puede crear riesgo de incendio cuando se usa con otra batería.
7. Use un altavoz que funcione por medio de baterías solo con baterías específicamente diseñadas. El uso de otras baterías podría crear riesgo de incendio.
8. Cuando la batería no esté en uso, manténgala alejada de otros objetos metálicos como: clips, monedas, llaves, clavos, tornillos u otros objetos metálicos pequeños que pudieran crear conexiones de un terminal a otro. El contacto entre sí de los terminales de las baterías puede provocar chispas, quemaduras o fuego.
9. Evite contacto corporal con superficies conectadas a tierra como tuberías, radiadores, estufas y refrigeradores. Hay un incremento del riesgo de descarga eléctrica si su cuerpo está conectado a tierra.
10. En condiciones abusivas, puede que de la batería se expulse líquido, evite el contacto. Si de forma accidental entra en contacto con el líquido, enjuague con agua. Si el líquido entrase en contacto con los ojos, busque ayuda médica. El líquido expulsado de la batería puede causar irritación o quemaduras.
11. El enchufe principal de la red eléctrica se utiliza como dispositivo de desconexión, y debe estar siempre disponible

## GUARDE ESTAS INSTRUCCIONES

### REGLAS ESPECÍFICAS DE SEGURIDAD

#### PARA EL CARTUCHO DE BATERÍA

1. Antes de utilizar el cartucho de batería, lea todas las instrucciones y advertencias en (1) el cargador de la batería, (2) la baterías, (3) el producto que usa la batería.

2. No desmonte el cartucho de batería.
3. Si el tiempo de funcionamiento se ha vuelto excesivamente corto, pare inmediatamente. Puede haber riesgo de sobrecalentamiento, posibles quemaduras o incluso una explosión.
4. Si el electrolito entra en contacto con los ojos, lávelos con agua limpia y busque atención médica de inmediato. Podría dar como resultado la pérdida de visión.
5. No haga un cortocircuito con el cartucho de batería.
  - (1) No toque los terminales con un material conductor.
  - (2) Evite almacenar el cartucho de batería en recipientes con otros objetos metálicos como clavos, monedas, etc.
  - (3) No exponga la batería al agua o lluvia. Un cortocircuito en la batería puede producir un gran flujo, sobrecalentamiento, posibles quemaduras e incluso una avería.
6. No guarde la herramienta ni el cartucho de batería en lugares donde la temperatura pueda llegar a o superar los 50 °C (122 °F).
7. No incinere el cartucho de batería incluso si está muy dañado o completamente desgastado. El cartucho de batería podría explotar en el fuego.
8. Tenga cuidado de no dejar caer o golpear la batería.
9. No use una batería dañada.

Consejos para mantener al máximo la vida útil de la batería

1. Cargue el cartucho de batería antes de que se descargue completamente. Deje de usar la herramienta y cargue la batería cuando note que la batería tiene menos potencia. Nunca cargue un cartucho de batería que esté totalmente cargado. La sobrecarga reduce la vida útil de la batería. Cargue el cartucho de batería con una temperatura ambiente de entre 10 y 40 grados centígrados (50 °F-104 °F). Antes de cargarla, deje que una batería que esté caliente se enfríe.
2. Cargue el cartucho de batería si no lo usa durante un largo periodo de tiempo (más de seis meses).

#### Para Canadá:

##### Precauciones para el usuario

Los cambios o modificaciones que no hayan sido expresamente autorizados por la entidad responsable por el cumplimiento de las regulaciones podrían anular la autoridad del usuario de utilizar este equipo. Declaraciones sobre la exposición de

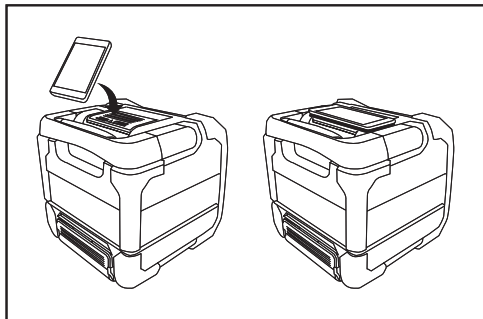
##### radiofrecuencia (RF)

Para cumplir con los requisitos de exposición humana a los campos de radiofrecuencia (RF) de la IC, la o las antenas usadas para este transmisor deben instalarse a una distancia mínima de 20 centímetros de cualquier persona y no deben ser colocadas ni funcionar junto a otras antenas o transmisores. No se permite ningún cambio en la antena o dispositivo. Cualquier cambio en la antena o dispositivo podría resultar en el dispositivo excediendo los requisitos de exposición humana a los campos de radiofrecuencia y anular la autoridad del usuario para operar el dispositivo.

Este dispositivo cumple con el/los estándar(es) RSS para estar exento de licencia para la industria canadiense. La operación queda sujeta a las siguientes dos condiciones: (1) este dispositivo no deberá causar interferencia y (2) este dispositivo debe aceptar cualquier interferencia recibida, incluyendo la que pueda originar un desempeño indeseable del dispositivo.

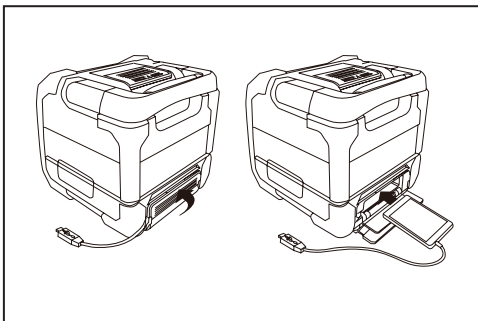
## Explicación de la vista general (Fig. 1)

1. Compartimento de la batería
2. Panel para colocar el teléfono móvil (celular)



3. Botón Reproducción/pausa
4. Botón pista siguiente/avance rápido
5. Botón subir volumen
6. Botón bajar volumen
7. Indicador de entrada auxiliar
8. Indicador de volumen máximo o mínimo/indicador batería baja
9. Indicador de Bluetooth
10. Botón de vinculación Bluetooth
11. Botón de encendido
12. Botón pista anterior/rebobinar
13. Altavoz
14. Asa
15. Toma de entrada CC
16. Toma de entrada auxiliar
17. Toma de carga USB

18. Agujero para cable
19. Compartimento para guardar el teléfono móvil (celular)



20. Terminal de la batería 14.4 V/18 V
21. Terminal de la batería 10.8 V
22. Cubierta de la batería
23. Cartucho de batería
24. Botón
25. Cubierta del compartimento donde se guarda el móvil

## Alimentación

El altavoz puede funcionar por medio de baterías Makita o por medio de una toma de corriente estándar.

## Alimentación por batería

La siguiente tabla indica el tiempo de uso con una sola carga.

Capacidad de la batería	Voltaje del cartucho de batería			CON SALIDA DE ALTAVOZ = 100 mW (unidad: Hora) (aproximadamente)			
	10.8V -12Vmax	14.4V	18V	Entrada auxiliar	Bluetooth	Entrada auxiliar +USB(2.1A)	Bluetooth +USB(2.1A)
1.3Ah		BL1415	BL1815	7.5	7.0		1.0
1.5Ah	BL1016			12	11		1.0
		BL1415N		10	9.0		1.0
2.0Ah			BL1815N	9.5	9.0		1.5
	BL1021B			15	14		1.0
3.0Ah			BL1820/ BL1820B	13	12		2.0
		BL1430/ BL1430B		16	15		2.0
4.0Ah			BL1830/ BL1830B	18	17		3.0
	BL1041B			31	28		2.5
5.0Ah		BL1440		26	24		3.0
			BL1840/ BL1840B	25	24		4.0
6.0Ah		BL1450		31	29		3.5
			BL1850/ BL1850B	32	31		5.5
6.0Ah		BL1460B		34	32		4.0
			BL1860B	39	37		6.5

## Instalación o retirada del cartucho de batería (fig. 3 y 4)

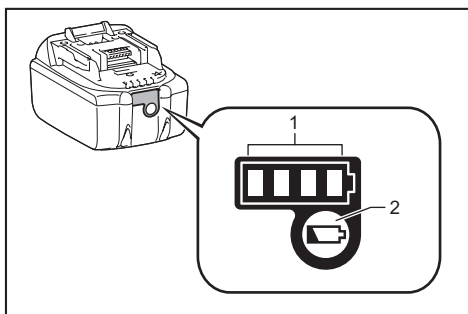
- Para instalar el cartucho de batería, alinee la lengüeta en el cartucho de batería con la ranura en la carcasa y deslícela a su lugar. Siempre insértela hasta que encaje en su sitio con un pequeño clic.
- Si puede ver el indicador rojo en la parte superior del botón, no está ajustada completamente. Instálela completamente hasta que el indicador rojo no se pueda ver. De lo contrario, podría caerse accidentalmente de la herramienta, lesionándole a usted o a alguien a su alrededor.
- No use la fuerza al insertar el cartucho de batería. Si el cartucho no se desliza fácilmente es que no se está insertando correctamente.
- Para retirar el cartucho de batería, deslícelo de la herramienta mientras presiona el botón en la parte frontal del cartucho.

### Nota:

Cuando el altavoz está en batería baja, el LED central parpadeará en rojo.

## Indicaciones de la batería restante

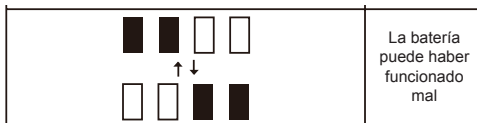
*Solo para cartuchos de batería que tengan una "B" al final del número de modelo*



- 1. Luces indicadoras 2. Botón de comprobación

Presione el botón en el cartucho de batería para mostrar la batería restante. Las luces indicadoras se encenderán por unos segundos.

Luces indicadoras			Capacidad restante
Iluminado	Apagado	Parpadearo	
			del 75% al 100%
			del 50% al 75%
			del 25% al 50%
			del 0% al 25%
			Cargue la batería



La batería puede haber funcionado mal

**NOTA:** Dependiendo de las condiciones de uso y de la temperatura ambiente, la indicación puede diferir ligeramente de la capacidad real.

## Usando el adaptador de CA suministrado (Fig. 5)

Retire el protector de goma e inserte la clavija del adaptador en la toma de CC en la parte derecha del altavoz. Enchufe el adaptador a una toma de corriente estándar. Cuando el adaptador se usa, la batería se desconecta automáticamente. Cuando no lo use, el adaptador de CA debe ser desconectado de la alimentación principal.

### IMPORTANTE:

El adaptador de corriente se emplea como medio de desconexión de la radio de la toma de alimentación. La toma de alimentación usada con la radio deberá permanecer accesible durante su uso. Para desconectar completamente la radio de la red de suministro, el adaptador deberá ser desenchufado.

## Toma de corriente USB

Esta toma puede usarse para cargar un teléfono móvil o cualquier otro dispositivo que use menos de 2.1 A de CC. Solo se cargará cuando el altavoz esté encendido.

**Nota:** Asegúrese de que la especificación de su dispositivo externo como un teléfono móvil, reproductor de mp3 o iPod es compatible con el altavoz. Lea el manual de instrucciones de su dispositivo externo antes de cargar.

### IMPORTANTE:

- Antes de conectar el dispositivo USB al cargador, haga siempre una copia de seguridad de los datos del dispositivo USB. De lo contrario, su información podría perderse.
- El cargador puede que no suministre energía a algunos dispositivos USB.
- Cuando no lo use, o tras cargar, retire el cable USB y cierre la cubierta.
- No conecte la fuente de alimentación al puerto USB. De lo contrario puede haber riesgo de fuego. El puerto USB es solo para cargar dispositivos de bajo voltaje. Cuando no esté cargando el dispositivo de bajo voltaje, coloque siempre la cubierta en el puerto USB.
- No inserte un clavo, cable, etc. en el puerto de alimentación USB. De lo contrario, un cortocircuito podría causar humo y fuego.
- No conecte esta toma USB al puerto USB del PC, ya que es muy probable que esto pueda causar daños en las unidades.




## Emparejamiento y conexión de un dispositivo al altavoz

Tendrá que emparejar su dispositivo Bluetooth con su DMR200 antes de poder autoenlazar para reproducir / transmitir música de Bluetooth mediante su altavoz con Bluetooth. El emparejamiento creará un 'vínculo' de modo que ambos dispositivos se reconozcan entre ellos.

Para tener la mejor calidad de sonido, se recomienda ajustar el volumen a un nivel mayor de dos tercios del nivel máximo del dispositivo Bluetooth y a continuación, ajustar el volumen en el altavoz como desee.

## Emparejamiento y reproducción de su dispositivo Bluetooth por vez primera

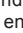


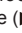



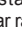





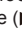



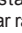




1. Presione el Botón de encendido  para encender el altavoz y el Indicador de Bluetooth parpadeará en azul. El indicador parpadeará rápido en azul para indicar que el altavoz es reconocible.
2. Active el Bluetooth de su dispositivo según su manual del usuario para enlazar con el altavoz. Localice la lista de dispositivos Bluetooth y seleccione el que lleve por nombre 'DMR200.' Algunos dispositivos móviles (equipados con versiones de Bluetooth anteriores a la BT2.1), puede que sea necesario introducir la contraseña "0000".
3. Una vez conectado, se oirá un pitido y el indicador de Bluetooth permanecerá encendido en azul. Podrá seleccionar y reproducir música desde su dispositivo fuente. El volumen podrá ser ajustado desde su dispositivo fuente o directamente desde el altavoz. Use los controles de su dispositivo con función de Bluetooth o los del altavoz para reproducir / dejar en pausa y navegar por las pistas.
4. Bluetooth o los del altavoz para reproducir / dejar en pausa y navegar por las pistas.

### Nota:

1. Si dos dispositivos Bluetooth, vinculándose por primera vez, buscan el DMR200, este se mostrará disponible para ambos dispositivos. Sin embargo, si un dispositivo se enlaza con esta unidad primero, entonces el otro dispositivo Bluetooth no lo encontrará en la lista.
2. Si su dispositivo Bluetooth se desconecta temporalmente de su altavoz, entonces, deberá reconectar su dispositivo al altavoz de forma manual.
3. Si "DMR200" aparece en la lista de su dispositivo Bluetooth, pero no puede conectarse a él, borre el elemento de la lista y vincule de nuevo el dispositivo con el altavoz, siguiendo los pasos descritos anteriormente.
4. El alcance efectivo de uso entre el sistema y el dispositivo emparejado es de aproximadamente 10 metros (30 pies). Cualquier obstáculo interpuesto entre el sistema y el dispositivo podrá reducir el alcance operativo.
5. La capacidad de la conectividad Bluetooth podría variar dependiendo del dispositivo Bluetooth que se haya conectado. Por favor, consulte las especificaciones Bluetooth de su dispositivo antes de conectarlo a su radio. Puede que no todas las funciones estuvieran disponibles en algunos dispositivos Bluetooth.

## Reproducción de archivos de audio en el modo Bluetooth

Cuando haya conectado su altavoz con el dispositivo Bluetooth que haya elegido, ya podrá comenzar a reproducir su música usando los controles del dispositivo Bluetooth al que se haya conectado.

1. Una vez que la reproducción haya comenzado, ajuste el volumen al nivel deseado usando los botones de volumen (, ) en su altavoz o en su dispositivo Bluetooth. Cuando presione el botón de subir o bajar volumen, el indicador de volumen parpadeará rápidamente en rojo de forma intermitente. Si el indicador de luz muestra una luz roja continua, esto indica que el volumen está al máximo o al mínimo. Use los controles en su dispositivo para reproducir, pausar y navegar por las pistas. De forma alternativa, controle la reproducción usando los botones Reprod./pausar (, ), Pista siguiente (, ), Pista anterior (, ) en el altavoz. Mantenga presionado el botón de Pista siguiente (, ) o (, ) Pista anterior para avanzar rápidamente
2. pausar y navegar por las pistas. De forma alternativa, controle la reproducción usando los botones Reprod./pausar (, ), Pista siguiente (, ), Pista anterior (, ) en el altavoz. Mantenga presionado el botón de Pista siguiente (, ) o (, ) Pista anterior para avanzar rápidamente
3. o rebobinar la pista actual. Suelte el botón cuando llegue al punto de la pista deseado.

### Nota:


1. Que puede que no todos los reproductores o dispositivos respondan a todos los controles.
2. Algunos teléfonos móviles puede que se desconecten temporalmente de su altavoz al realizar o recibir llamadas. Algunos dispositivos puede que silencien temporalmente su transmisión de audio por Bluetooth cuando reciben mensajes de texto, correos electrónicos o por otros motivos ajenos a la transmisión de audio. Ese comportamiento es una función del dispositivo conectado y no indica un fallo en su altavoz.

## Memoria del altavoz y reconexión de un dispositivo

DMR200 puede memorizar hasta 8 dispositivos emparejados. Cuando la memoria exceda esta cantidad, el primero de los dispositivos emparejados será sobrescrito.

Si su dispositivo Bluetooth hubiera sido emparejado con el altavoz anteriormente, la unidad memorizará su dispositivo Bluetooth e intentará reconectarse con el dispositivo de la memoria con el que se conectó por última vez. Si el último dispositivo con el que se conectó no estuviera disponible, el altavoz será reconocible.

## Desconexión de su dispositivo Bluetooth

Mantenga pulsado el botón de Bluetooth  2-3 segundos para desconectarse de su dispositivo Bluetooth. El indicador Bluetooth parpadeará en azul indicando que el altavoz es reconocible de nuevo para el emparejamiento.

## Reproducción de música por medio de la toma de entrada auxiliar

Para permitir que la unidad reciba una señal de audio de cualquier dispositivo que cuente con auriculares o salida

de audio como un iPod, MP3 o reproductor de CD, el lateral derecho de la unidad está provisto con una toma de entrada auxiliar de 3,5 mm.

1. Conecte una fuente de audio estéreo o mono (por ejemplo, un iPod, MP3 o reproductor de CD) a la toma de audio auxiliar (marcada como "AUX") y el indicador de entrada de audio se volverá verde, indicando que el altavoz está en modo de entrada auxiliar.
2. Ajuste el volumen de su iPod, reproductor de MP3 o CD para garantizar una buena señal y después ajuste el volumen del altavoz a su gusto.
3. Para tener la mejor calidad de sonido, se recomienda ajustar el volumen a un nivel mayor de dos tercios del nivel máximo del dispositivo audio y a continuación, ajustar el volumen en el altavoz como desee.

#### **Nota:**

Cuando la toma Aux in esté conectada a un dispositivo de audio, la función de Bluetooth estará desactivada para minimizar el consumo de batería.

## **MANTENIMIENTO**

#### **⚠ PRECAUCIÓN:**

- Nunca use gasolina, bencina, diluyentes, alcohol o similares. Podría dar como resultado decoloración, deformaciones o roturas.

## **Especificaciones**

#### **Amplificador**

Potencia de salida	18V:10W 14,4V:6W 10,8V:3,5W
Frecuencia de respuesta	50 Hz~20 kHz

#### **Entrada auxiliar**

Sensibilidad de entrada	250 mVrms a 100 Hz
-------------------------	--------------------

#### **Altavoz**

Altavoz principal	101,6 mm 8 ohm 10 W
Tweeter	36 mm 8 ohm 10 W

#### **Bluetooth**

Versión Bluetooth	4.0
Perfiles Bluetooth	A2DP/SCMS-T/AVRCP
Potencia de transmisión	Bluetooth de clase 2
Alcance de transmisión	Máximo 10 m (varía en función de las condiciones de uso)
Codec compatible	SBC
Perfil Bluetooth compatible	A2DP

#### **General**

Adaptador de corriente CA	CC en 12V 1.5 A, pin central positivo
Batería	10,8V-12Vmax/ 14,4 V/18 V
Peso	2,7KG(sin batería)

La compañía se reserva el derecho para modificar las especificaciones sin previo aviso.

## PORTUGUÊS (Instruções de origem)

### Símbolos

O seguinte mostra os símbolos usados para o equipamento. Certifique-se que compreende o seu significado antes de usar.



Leia o manual de instruções

## SEGURANÇA IMPORTANTE INSTRUÇÕES

### ⚠ ADVERTÊNCIA:

Quando utiliza ferramentas elétricas, deve seguir sempre as precauções de segurança básicas para reduzir o risco de incêndio, choque elétrico e danos pessoais, incluindo o seguinte:

1. Leia cuidadosamente o manual de instruções e o manual de instruções do carregador antes de usar.
2. Limpe apenas com um pano seco.
3. Não instale o aparelho junto de fontes de calor como radiadores, registos de calor, fogões ou outros aparelhos (incluindo amplificadores) que produzam calor.
4. Utilize apenas as ligações/acessórios especificados pelo fabricante.
5. Desligue este aparelho quando houver trovoadas ou quando não seja usado por um longo período de tempo.
6. Um altifalante que funciona a bateria com baterias integrais ou um conjunto de baterias separado só pode ser recarregado com o carregador especificado para a bateria. Um carregador adequado para um tipo de bateria pode criar um risco de incêndio quando usado com outra bateria.
7. Utilize o altifalante operado por bateria apenas com os conjuntos de baterias especificamente designados. O uso de quaisquer outras baterias pode criar um risco de incêndio.
8. Quando o conjunto da bateria não se encontra a uso, mantenha-o afastado de outros objetos de metal como: clips de papel, moedas, chaves, pregos, parafusos, ou outros objectos pequenos de metal que possam fazer a ligação entre dois terminais. Colocar em curto-circuito os terminais da bateria pode causar faíscas, queimaduras ou um incêndio.
9. Evitar contacto do corpo com superfícies ligadas à terra como tubos, radiadores, fogões e frigoríficos. Há um risco acrescido de choque elétrico se o corpo estiver ligado à terra.
10. Em condições de mau uso, poderá ser ejetado líquido da bateria, evite o contacto. Se ocorrer um contacto accidental, lave abundantemente com água. Se o líquido entrar em contacto com os olhos, procure também ajuda médica. O líquido ejetado da bateria pode causar irritação ou queimaduras.
11. A ficha do CABO PRINCIPAL é usada para desligar o aparelho e permanecerá pronta a operar.

## GUARDE ESTAS INSTRUÇÕES

## NORMAS DE SEGURANÇA ESPECÍFICAS

### PARA O CARTUCHO DA BATERIA

1. Antes de usar o cartucho da bateria, leia todas as instruções e marcas de advertência no (1) carregador da bateria, (2) bateria e (3) produto que usa a bateria.

2. Não desmonte o cartucho da bateria.
3. Se o período de funcionamento se tornar excessivamente curto, pare imediatamente o funcionamento. Pode provocar um risco de sobreaquecimento, possíveis queimaduras ou mesmo explosão.
4. Se o eletrólito entrar para os olhos, lave-os com água limpa e procure um médico imediatamente. Pode originar perda de visão.
5. Não faça curto circuito com a bateria:
  - (1) Não toque nos terminais com qualquer material condutor.
  - (2) Evite guardar o cartucho da bateria num recipiente com outros objetos de metal como pregos, moedas, etc.
  - (3) Não exponha o cartucho de bateria à água ou à chuva. Um curto circuito na bateria pode causar um grande fluxo de corrente, sobreaquecimento, possíveis queimaduras e mesmo avaria.
6. Não guarde a ferramenta e o cartucho da bateria em locais em que a temperatura possa chegar ou ultrapassar os 50 °C (122°F)
7. Não incinere o cartucho da bateria mesmo que se encontre muito danificado ou esteja completamente gasto. O cartucho da bateria pode explodir num incêndio.
8. Tenha cuidado para não deixar cair a bateria ou bater com a bateria.
9. Não use uma bateria danificada.

### Conselhos para a manutenção prolongada da bateria

1. Carregue o cartucho da bateria antes de estar completamente descarregado. Pare sempre o funcionamento da ferramenta e carregue o cartucho da bateria quando notar uma menor potência da ferramenta.
2. Nunca recarregue um cartucho de bateria completamente carregado. O sobrecarregamento diminui a duração da bateria.
3. Carregue o cartucho da bateria à temperatura ambiente entre 10 °C e 40 °C (50 °F e 104 °F). Deixe que o cartucho da bateria quente arrefeça antes de o carregar.
4. Carregue o cartucho da bateria se não o usar por um longo período de tempo (mais de seis meses).

### Para o Canadá:

#### Cuidados do Usuário

Mudanças e modificações que não tenham sido expressamente aprovadas pelas partes responsáveis pela conformidade poderão anular a autoridade do usuário de operar o equipamento.

#### Declarações sobre Exposição à Radiofrequência

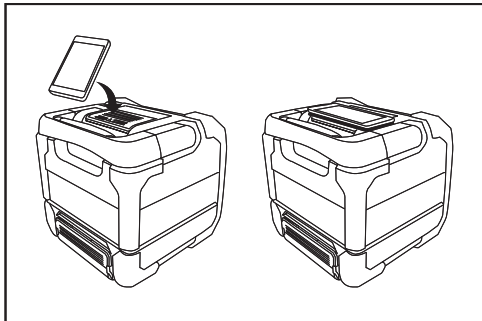
Para estar em conformidade com os requisitos de exposição à radiofrequência da IC, a(s) antena(s) utilizada(s) por esse transmissor deverá(ão) ser instalada(s) a uma distância mínima de 20 cm de todas as pessoas e não deverá(ão) ser colocada(s) ou utilizada(s) em conjunto com quaisquer outras antenas ou transmissores. Mudanças na antena ou no aparelho não são permitidas. Quaisquer mudanças na antena ou no aparelho farão com que o aparelho exceda os requisitos máximos de exposição à radiofrequência, e anularão a autoridade do usuário de operar o dispositivo.

Este dispositivo está em conformidade com a(s) norma(s) RSS de isenção de licença da Indústria do Canadá.

A operação está sujeita às duas condições a seguir: (1) este dispositivo não pode causar interferência e (2) este dispositivo deve aceitar qualquer interferência, inclusive interferência que pode causar operação indesejada do dispositivo.

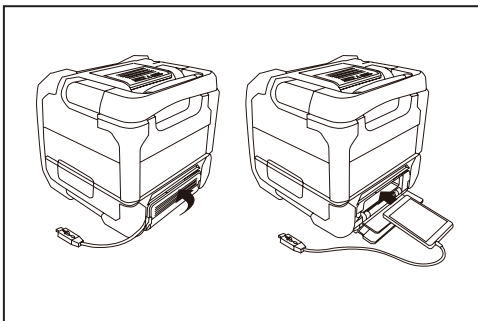
## Explicação da vista geral (Fig. 1)

1. Compartimento fechado da bateria
2. Painel para colocação do telemóvel



3. Botão Tocar/Pausa
4. Botão da faixa seguinte/botão para avanço rápido
5. Botão para aumentar o volume
6. Botão para baixar o volume
7. Indicador Aux in
8. Indicador de Volume máx. ou mín. / Indicador de bateria fraca
9. Indicador de Bluetooth
10. Botão de emparelhamento do Bluetooth
11. Botão Ligar
12. Botão da faixa anterior/botão para Rebobinar
13. Altifalante
14. Pega
15. DC na tomada
16. Tomada de entrada auxiliar
17. Tomada de carregamento USB

18. Entrada do cabo
19. Compartimento para armazenamento do telemóvel



20. terminal de bateria 14,4 V/18V
21. terminal de bateria 10,8 V
22. Tapa da bateria
23. Cartucho da bateria
24. Botão
25. Tapa do compartimento para guardar o telemóvel

## Energia

O altifalante pode ser alimentado por conjuntos de baterias Makita ou através de uma tomada de parede normal.

## Alimentação por bateria

A tabela seguinte indica o tempo de funcionamento com um único carregamento.

Capacidade da Bateria	Voltagem do Cartucho da bateria			Na SAÍDA DO ALTIFALANTE = 100mW (unidade:Hora) (Aproximadamente)			
	10.8V -12Vmax	14.4V	18V	AUX IN	Bluetooth	AUX IN+ +USB(2.1A)	Bluetooth +USB(2.1A)
1.3Ah		BL1415	BL1815	7.5	7.0		1.0
1.5Ah	BL1016			12	11		1.0
		BL1415N		10	9.0		1.0
2.0Ah			BL1815N	9.5	9.0		1.5
	BL1021B			15	14		1.0
3.0Ah		BL1430/ BL1430B		16	15		2.0
			BL1830/ BL1830B	18	17		3.0
4.0Ah	BL1041B			31	28		2.5
		BL1440		26	24		3.0
5.0Ah			BL1840/ BL1840B	25	24		4.0
		BL1450		31	29		3.5
6.0Ah			BL1850/ BL1850B	32	31		5.5
		BL1460B		34	32		4.0
		BL1860B		39	37		6.5

## Instalar ou remover o catucho deslizante da bateria (fig. 3 e 4)

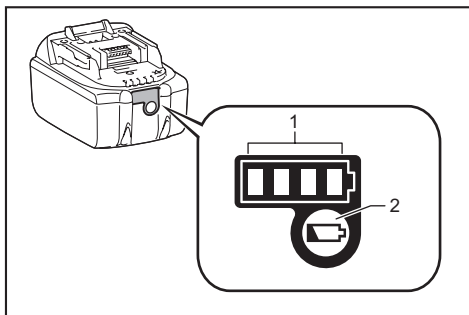
- Para instalar o cartucho da bateria, alinhar a ponta do carucho da bateria com a ranhura do cartucho da bateria no compartimento e colocá-la no sítio. Insira sempre a totalidade para que fique no lugar e faça um clique
- Se conseguir ver o indicador vermelho no lado superior do botão, não está completamente bloqueado. Instale-o completamente até deixar de ver o indicador vermelho. Se não, pode cair acidentalmente da ferramenta, causando-lhe ferimentos ou a qualquer pessoa perto de si.
- Não force quando inserir o cartucho da bateria. Se o cartucho não deslizar facilmente, não foi inserido corretamente.
- Para retirar o cartucho da bateria, faça-o deslizar da ferramenta ao mesmo tempo que pressiona o botão na parte da frente do cartucho.

### Nota:

Quando o altifalante estiver com a bateria fraca, o LED do meio piscará a vermelho.

## Indicando a capacidade restante da bateria

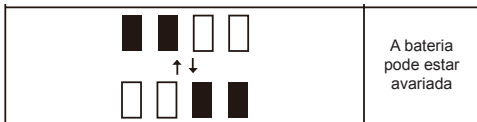
Apenas os cartuchos de bateria com um "B" no final do número do modelo



- 1. Lâmpadas do indicador 2. Botão de verificação

Pressione o botão de verificação do cartucho da bateria para indicar a capacidade remanescente da bateria. As lâmpadas indicadoras acendem durante uns segundos.

Lâmpadas indicadoras			Lâmpadas indicadoras
Aceso	Desligado	A Piscar	
■ ■ ■ ■			75% a 100%
■ ■ ■ □			50% a 75%
■ ■ □ □			25% a 50%
■ □ □ □			0% a 25%
▬ □ □ □			Carregue a bateria



**NOTA:** Dependendo das condições de utilização e da temperatura ambiente, a indicação pode diferir ligeiramente da capacidade efetiva.

## Usar o adaptador de corrente AC fornecido (Fig. 5)

Retire o protetor de borracha e insira a ficha do adaptador na tomada DC no lado direito do altifalante. Ligue o adaptador numa tomada normal. Sempre que é usado o adaptador, o conjunto da bateria é automaticamente desligado. O adaptador AC deve ser desligado da corrente quando não estiver a ser utilizado.

### IMPORTANTE:

O adaptador de corrente é usado como meio de ligação do altifalante à corrente. A tomada de corrente usada para o altifalante tem de estar acessível durante o uso normal. Para desligar completamente o altifalante da corrente, o adaptador de corrente deve ser retirado completamente da tomada de corrente.

## Tomada de abastecimento de energia USB

Esta entrada pode ser usada para carregar um telemóvel ou qualquer outro dispositivo que use corrente de DC inferior a 2.1A. O carregamento só ocorre quando o altifalante está ligado.

**Nota:** Assegure-se que a especificação do seu dispositivo externo, telemóvel, mp3 player ou iPod, é compatível com o altifalante. Leia o manual de instruções do seu dispositivo externo antes de o carregar.

### IMPORTANTE:


- Antes de ligar o dispositivo USB ao carregador, faça sempre uma cópia de segurança dos dados do dispositivo USB. Caso contrário poderá perder os seus dados.
- O carregador não carrega alguns dispositivos USB.
- Quando não estiver a usar ou depois de carregar, retire o cabo USB e feche a tampa.
- Não ligue uma fonte de energia a uma porta USB. Caso contrário pode haver risco de incêndio. A porta USB destina-se apenas a carregar dispositivos de voltagem mais baixa. Coloque sempre a tampa da porta USB quando não estiver a carregar dispositivos de voltagem mais baixa.
- Não insira pregos, fios, etc. na porta de abastecimento de energia USB. Caso contrário poderá ocorrer um curto circuito causando fumo e incêndio.
- Não ligue esta tomada USB à porta USB do PC, pois há uma forte possibilidade de poder causar a avaria das unidades.

## Emparelhamento e ligação de um dispositivo ao altifalante

Precisa de emparelhar o seu dispositivo com Bluetooth ao seu DMR200 antes de poder fazer a autoligação para tocar/stream a música do Bluetooth através do seu altifalante com Bluetooth. O emparelhamento cria uma "ligação" para que os dois dispositivos se possam reconhecer um ao outro.

Para obter uma melhor qualidade de som, recomendamos que defina o volume para mais de dois terços do nível no seu dispositivo Bluetooth ajustando depois o volume desejado no altifalante.

## Emparelhar e usar o seu dispositivo Bluetooth pela primeira vez

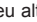





1. Prima o botão Ligar  para ligar o altifalante e o indicador do Bluetooth pisca a azul. O indicador pisca rapidamente uma luz azul indicando que o altifalante está descoberto.
2. Ative o Bluetooth no seu dispositivo de acordo com o manual do utilizador do dispositivo para fazer a ligação ao altifalante. Localize a lista de dispositivos Bluetooth e selecione o dispositivo designado "DMR200". Com alguns telemóveis (que estão equipados com versões anteriores ao dispositivo Bluetooth BT2.1), pode necessitar de introduzir a palavra-passe "0000".
3. Depois de ligado, ouvirá um som de bésouro e o indicador Bluetooth permanecerá azul. Pode simplesmente selecionar e tocar qualquer música do seu dispositivo original. O controlo de volume pode ser ajustado a partir do seu dispositivo de origem ou diretamente no altifalante.
4. Use os controlos do seu dispositivo com Bluetooth ou do altifalante para tocar/pausar e procurar faixas.

### Nota:

1. Se 2 dispositivos Bluetooth, forem emparelhados pela primeira vez, ambos procuram o seu DMR200, mostrando a sua disponibilidade em ambos os dispositivos. Porém, se um dispositivo se ligar a esta unidade primeiro, o outro dispositivo de Bluetooth não o encontrará na lista.
2. Se o dispositivo Bluetooth estiver temporariamente desligado do altifalante, então necessita de religar manualmente o seu dispositivo de novo ao altifalante.
3. Se aparecer "DMR200" na sua lista de dispositivos Bluetooth mas o seu dispositivo não puder ligar-se ao mesmo, apague o item da sua lista e emparelhe, de novo, o dispositivo com o altifalante seguindo os passos descritos previamente.
4. O raio de funcionamento real entre o sistema e o dispositivo emparelhado é de aproximadamente 10 metros (30 pés). Qualquer obstáculo entre o sistema e o dispositivo pode reduzir o raio operacional.
5. O desempenho da conectividade do Bluetooth pode variar dependendo dos dispositivos Bluetooth ligados. Consulte as capacidades de Bluetooth do seu dispositivo antes de o ligar ao altifalante. Nem todas as funcionalidades são suportadas nalguns dispositivos Bluetooth emparelhados.

## Tocar ficheiros áudio em Modo Bluetooth

Depois de ter ligado com sucesso o seu altifalante ao dispositivo Bluetooth escolhido pode começar a tocar a sua música usando os controlos do dispositivo Bluetooth ligado.

1. Depois de começar a tocar ajuste o volume de acordo com o desejado, usando os botões de volume  do seu altifalante, ou os do dispositivo com capacidade Bluetooth. Quando pressiona o botão de Volume para cima/para baixo, o indicador de volume pisca rapidamente em vermelho. Se a luz do indicador ficar fixa em vermelho, indica que o volume está no volume máximo ou no volume mínimo. Use os controlos do seu dispositivo para tocar/pausar e procurar faixas. Em alternativa, controle a reprodução usando os Botões Play/Pausa () Faixa Seguinte () Faixa anterior () no altifalante. Prima e mantenha premido o botão de Faixa seguinte () ou () Faixa Anterior para avançar
2. rapidamente /Rebobinar a faixa atual. Solte o botão quando chegar ao ponto desejado da faixa.


### Nota:

1. Nem todas as aplicações do aparelho ou dispositivo respondem a estes controlos.
2. Alguns telemóveis podem ficar temporariamente desligados do altifalante quando faz ou recebe chamadas. Alguns dispositivos podem silenciar temporariamente o streaming áudio do Bluetooth quando recebem mensagens de texto, emails, ou por outras razões não relacionadas com o streaming áudio. Esse comportamento é uma função do dispositivo ligado e não indica uma avaria no seu altifalante.

## Memória do altifalante e reconhecimento de um dispositivo

O seu altifalante pode memorizar até 8 conjuntos de dispositivos emparelhados, quando a memória excede este valor, o histórico do emparelhamento mais antigo será substituído. Se o seu dispositivo Bluetooth já tiver sido emparelhado anteriormente com o altifalante, a unidade memorizará o seu dispositivo Bluetooth e este tenta restabelecer a ligação com um dispositivo na memória que tenha sido ligado da última vez. Se o último dispositivo ligado não estiver disponível, o altifalante fica disponível.

## Desligar o Dispositivo Bluetooth

Prima e mantenha premido o botão  de emparelhamento Bluetooth durante 2 a 3 segundos para o desligar do seu dispositivo Bluetooth. O indicador do Bluetooth pisca a azul indicando que o altifalante está de novo disponível para emparelhamento.

## Tocar música através da tomada de entrada auxiliar

A empresa reserva-se o direito de alterar as especificações sem aviso prévio.

É fornecida uma tomada de entrada auxiliar de 3,5mm, do lado direito da unidade, para permitir a alimentação de um sinal áudio na unidade a partir de quaisquer dispositivos que tenham auscultadores ou saída de áudio, como um iPod, MP3 ou reproduzidor de CDs.

1. Ligue a uma fonte áudio estéreo ou mono (por exemplo, iPod, MP3 ou reproduzidor de CDs) à tomada de entrada Auxiliar (marcada 'AUX') e o indicador Aux in fica verde indicando que o altifalante está em modo de saída auxiliar.
2. Ajuste o controlo do Volume no seu iPod, MP3 ou reproduzidor de CDs para assegurar um sinal adequado e ajuste depois o volume no altifalante para obter um nível de som confortável.
3. Para obter uma melhor qualidade de som, recomendamos que defina o volume para mais de dois terços do nível no seu dispositivo Áudio ajustando depois o volume desejado no altifalante.

### Nota:

Quando a tomada Aux in é ligada a um dispositivo áudio, a função Bluetooth fica desativada para minimizar o consumo de energia.

## MANUTENÇÃO

### ⚠ ATENÇÃO:

- Nunca use gasolina, benzina, diluente, álcool ou similares. Podem originar descoloração, deformação ou rachas.

## Especificações

### Amplificador

Energia de Saída	18V:10W 14,4V:6W 10,8V:3,5W
Resposta de Frequência	50Hz~20kHz

### Aux In

Sensibilidade de entrada	250mVrms @100Hz
--------------------------	-----------------

### Altifalante

Altifalante Principal	101,6mm 8 ohm 10W
Altifalante tweeter	36mm 8ohm 10W

### Bluetooth

Versão Bluetooth	4.0
Perfis de Bluetooth	A2DP/ SCMS-T/ AVRCP
Energia de Transmissão	Especificação de energia Bluetooth Classe 2
Raio de Transmissão	Máx. 10m (varia de acordo com as condições de uso)
Codec suportado	SBC
Perfil Bluetooth compatível	A2DP

### Geral

Adaptador de energia AC	DC in 12V 1.5A, pino central positivo
Bateria deslizante da Bateria	10,8V-12Vmax/ 14,4 V/ 18 V
Peso	2,7KG (sem bateria)