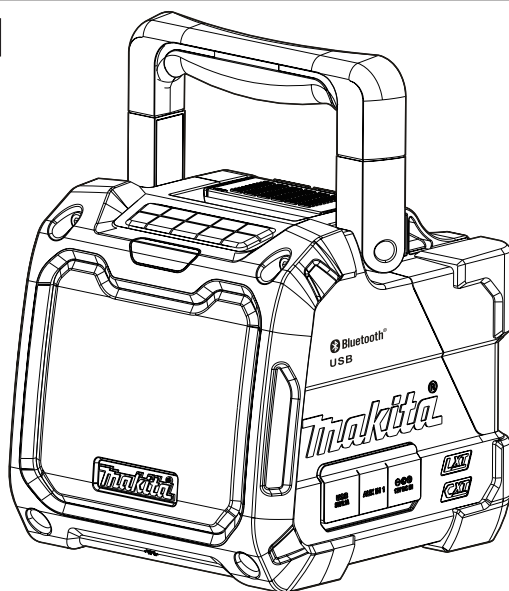


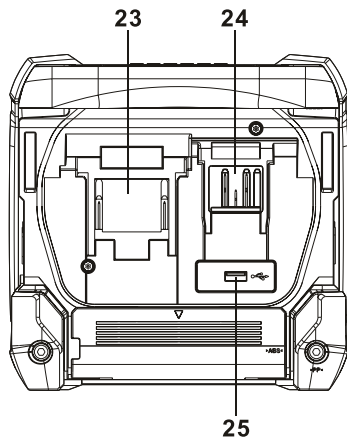
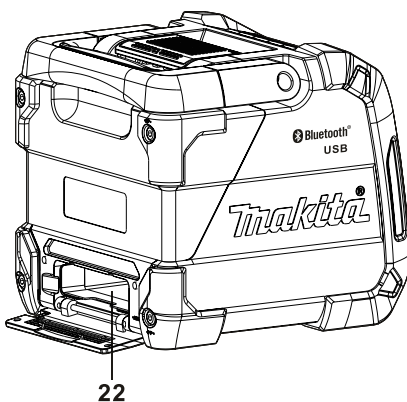
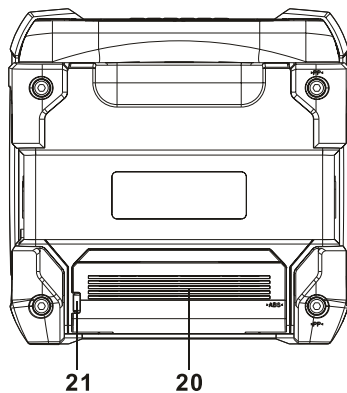
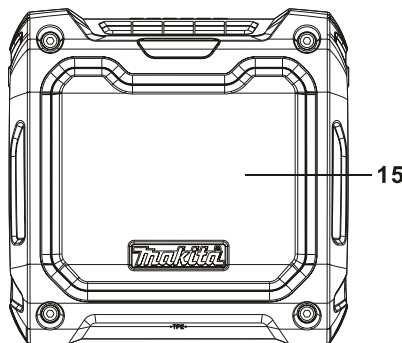
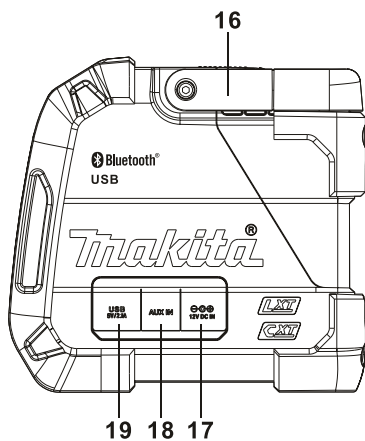
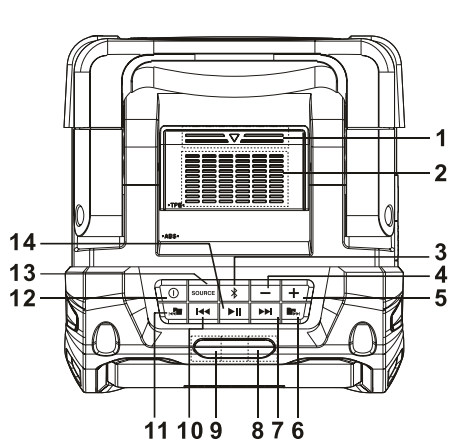


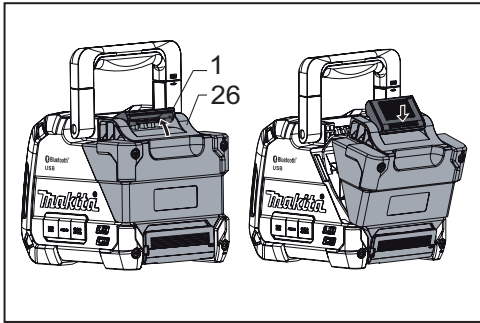
EN	Cordless Job Site Speaker	Instruction manual	3
FRCA	Enceinte de chantier sans fil	Manuel d'utilisation	10
ES	Altavoz Inalámbrico de Trabajo	Manual de instrucciones	18
PT	Alto-Falante Portátil a Bateria para Ambientes de Trabalho	Manual de instruções	26

DMR201

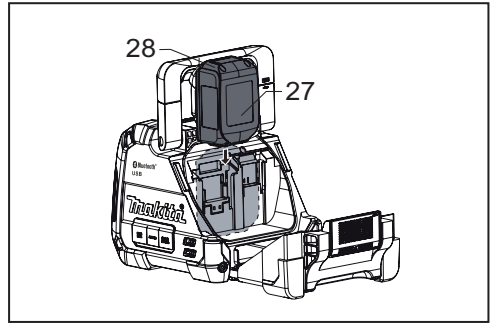


Explanation of general view

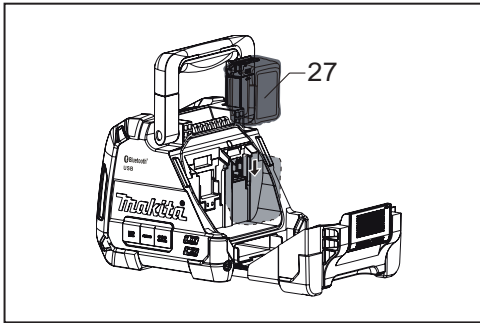




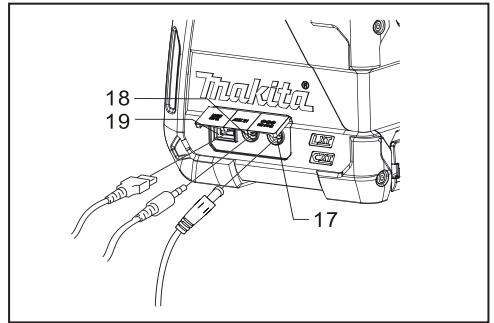
2



3



4



5

ENGLISH (Original instructions)

Symbols

The following show the symbols used for the equipment. Be sure that you understand their meaning before use.



Read instruction manual.

IMPORTANT SAFETY INSTRUCTIONS

⚠ WARNING:

When using electric tools, basic safety precautions should always be followed to reduce the risk of fire, electric shock, and personal injury, including the following:

1. Read this instruction manual and the charger instruction manual carefully before use.
2. Clean only with dry cloth.
3. Do not install near any heat sources such as radiators, heat registers, stoves, or other apparatus (including amplifiers) that produce heat.
4. Only use attachments/accessories specified by the manufacturer.
5. Unplug this apparatus during lightning storms or when unused for long periods of time.
6. A battery operated speaker with integral batteries or a separate battery pack must be recharged only with the specified charger for the battery. A charger that may be suitable for one type of battery may create a risk of fire when used with another battery.
7. Use battery operated speaker only with specifically designated battery packs. Use of any other batteries may create a risk of fire.
8. When battery pack is not in use, keep it away from other metal objects like: paper clips, coins, keys, nails, screws, or other small metal objects that can make a connection from one terminal to another. Shorting the battery terminals together may cause sparks, burns, or a fire.
9. Avoid body contact with grounded surfaces such as pipes, radiators, ranges and refrigerators. There is an increased risk of electric shock if your body is grounded.
10. Under abusive conditions, liquid may be ejected from the battery; avoid contact. If contact accidentally occurs, flush with water. If liquid contacts eyes, additionally seek medical help. Liquid ejected from the battery may cause irritation or burns.
11. Do not use a battery pack or tool that is damaged or modified. Damaged or modified batteries may exhibit unpredictable behaviour resulting in fire, explosion or risk of injury.
12. Do not expose a battery pack or tool to fire or excessive temperature. Exposure to fire or temperature above 130 °C may cause explosion.
13. Follow all charging instructions and do not charge the battery pack or tool outside the temperature range specified in the instructions. Charging improperly or at temperatures outside the specified range may damage the battery and increase the risk of fire.
14. The MAINS plug is used as the disconnect device, and it shall remain readily operable.
15. Do not use the product at a high volume for any extended period. To avoid hearing damage, use the product at moderate volume level.
16. (For products with LCD display only) LCD displays include liquid which may cause irritation and poisoning. If the liquid enters the eyes, mouth or skin, rinse it with water and call a doctor.
17. Do not expose the product to rain or wet conditions. Water entering the product will increase the risk of electric shock.
18. This product is not intended for use by persons (including children) with reduced physical, sensory or mental capabilities, or lack of experience and

knowledge, unless they have been given supervision or instruction concerning use of the product by a person responsible for their safety. Children should be supervised to ensure that they do not play with the product. Store the product out of the reach of children.

SAVE THESE INSTRUCTIONS

SPECIFIC SAFETY RULES

FOR BATTERY CARTRIDGE

1. Before using battery cartridge, read all instructions and cautionary markings on (1) battery charger, (2) battery, and (3) product using battery.
2. Do not disassemble battery cartridge.
3. If operating time has become excessively shorter, stop operating immediately. It may result in a risk of overheating, possible burns and even an explosion.
4. If electrolyte gets into your eyes, rinse them out with clear water and seek medical attention right away. It may result in loss of your eyesight.
5. Do not short the battery cartridge:
 - (1) Do not touch the terminals with any conductive material.
 - (2) Avoid storing battery cartridge in a container with other metal objects such as nails, coins, etc.
 - (3) Do not expose battery cartridge to water or rain. A battery short can cause a large current flow, overheating, possible burns and even a breakdown.
6. Do not store the tool and battery cartridge in locations where the temperature may reach or exceed 50 °C(122°F).
7. Do not incinerate the battery cartridge even if it is severely damaged or is completely worn out. The battery cartridge can explode in a fire.
8. Be careful not to drop or strike battery.
9. Do not use a damaged battery.
10. To avoid risk, the manual of replaceable the battery should be read before use. And the max discharging current of the battery should be greater than or equal to 8A.
11. The contained lithium-ion batteries are subject to the Dangerous Goods Legislation requirements. For commercial transports e.g. by third parties, forwarding agents, special requirement on packaging and labeling must be observed.
For preparation of the item being shipped, consulting an expert for hazardous material is required. Please also observe possibly more detailed national regulations.
Tape or mask off open contacts and pack up the battery in such a manner that it cannot move around in the packaging.
12. Follow your local regulations relating to disposal of battery.
13. Use the batteries only with the products specified by Makita. Installing the batteries to non-compliant products may result in a fire, excessive heat, explosion, or leak of electrolyte.

⚠ CAUTION:

- Danger of explosion if battery is incorrectly replaced.
- Replace only with the same or equivalent type.
- Only use genuine Makita batteries. Use of non-genuine Makita batteries, or batteries that have been altered, may result in the battery bursting causing fires, personal injury and damage. It will also void the Makita warranty for the Makita tool and charger.

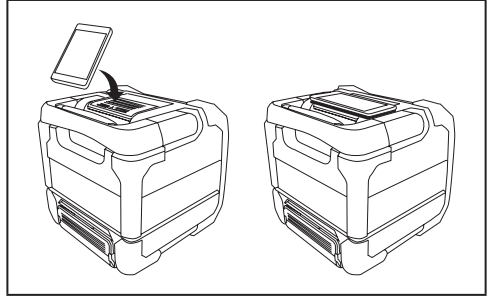
Tips for maintaining maximum battery life

1. Charge the battery cartridge before completely discharged. Always stop tool operation and charge the battery cartridge when you notice less tool power.
2. Never recharge a fully charged battery cartridge. Overcharging shortens the battery service life.

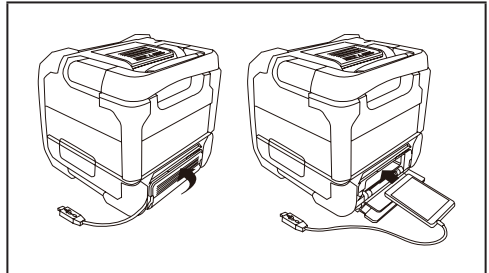
- Charge the battery cartridge with room temperature at 10 °C - 40 °C (50 °F - 104 °F). Let a hot battery cartridge cool down before charging it.
- Charge the battery cartridge if you do not use it for a long period (more than six months).

Explanation of general view (Fig.1)

- Battery compartment locker
- Mobile (Cell phone) placing panel



- Bluetooth pairing button
- Volume down button
- Volume up button
- Next folder button
- Next track button/Fast-forward button
- Volume max. or min. indicator/ Low battery indicator
- Bluetooth indicator/Aux in indicator/USB indicator
- Previous track button/ Rewind button
- Previous folder button
- Power button
- Source button
- Play/Pause button
- Speaker
- Handle
- DC in socket
- Auxiliary input socket
- USB charging socket
- Mobile storage cabinet cover
- Cable hole
- Mobile (Cell phone) storage cabinet



- 14.4 V/18V battery terminal
- 10.8 V-12V/max battery terminal
- USB playback socket
- Battery cover
- Battery cartridge
- Button



Cautions to the user

The changes or modifications not expressly approved by the party responsible for compliance could void the user's authority to operate the equipment.

RF exposure statements

IMPORTANT NOTE: To comply with the FCC RF exposure compliance requirements, the antenna(s) used for this transmitter must be installed to provide a separation distance of at least 20 cm from all persons and must not be co-located or operating in conjunction with any other antenna or transmitter. No change to the antenna or the device is permitted. Any change to the antenna or the device could result in the device exceeding the RF exposure requirements and void user's authority to operate the device.

Note: This equipment has been tested and found to comply with the limits for a Class B digital device, pursuant to part 15 of the FCC Rules. These limits are designed to provide reasonable protection against harmful interference in a residential installation. This equipment generates, uses and can radiate radio frequency energy and, if not installed and used in accordance with the instructions, may cause harmful interference to radio communications. However, there is no guarantee that interference will not occur in a particular installation. If this equipment does cause harmful interference to radio or television reception, which can be determined by turning the equipment off and on, the user is encouraged to try to correct the interference by one or more of the following measures:

- Reorient or relocate the receiving antenna.
- Increase the separation between the equipment and receiver.
- Connect the equipment into an outlet on a circuit different from that to which the receiver is connected.
- Consult the dealer or an experienced radio/TV technician for help.

For Canada:

Cautions to the user

The changes or modifications not expressly approved by the party responsible for compliance could void the user's authority to operate the equipment.

RF exposure statements

To comply with the IC RF exposure compliance requirements, the antenna(s) used for this transmitter must be installed to provide a separation distance of at least 20 cm from all persons and must not be collocated or operating in conjunction with any other antenna or transmitter. No change to the antenna or the device is permitted. Any change to the antenna or the device could result in the device exceeding the RF exposure requirements and void user's authority to operate the device.

This device complies with Industry Canada licence exempt RSS standard(s). Operation is subject to the following two conditions: (1) this device may not cause interference, and (2) this device must accept any interference, including interference that may cause undesired operation of the device.

Power

The speaker can be powered by Makita battery packs or a standard wall outlet.

Power by battery

The following table indicates the operating time on a single charge.

Battery Capacity	Battery Cartridge Voltage			AT SPEAKER OUTPUT = 100mW Unit: Hour (Approximately)			
	10.8V-12Vmax	14.4V	18V	USB Playback	Bluetooth	AUX IN	USB Playback + USB Charge (2.1A)
1.3Ah		BL1415*		4.5	5.5	5.5	1.0
			BL1815*	5.0	6.0	6.0	1.2
1.5Ah	BL1016			6.0	9.0	9.0	0.9
		BL1415N*		5.5	7.0	7.0	1.3
			BL1815N	6.0	7.5	7.5	1.4
2.0Ah	BL1021B			8.0	12	12	1.1
			BL1820* BL1820B	8.5	10	10	1.9
3.0Ah		BL1430* BL1430B		9.5	12	12	2.2
			BL1830 BL1830B	11	14	14	2.7
4.0Ah	BL1041B			16	24	24	2.2
		BL1440*		15	19	19	3.5
			BL1840* BL1840B	16	20	20	3.5
5.0Ah		BL1450*		18	23	23	4.0
			BL1850* BL1850B	21	26	26	4.5
6.0Ah		BL1460B*		20	25	25	4.5
			BL1860B	25	32	32	5.5

* Country specific

⚠ WARNING: Only use the battery cartridges listed above. Use of any other battery cartridges may cause injury and/or fire.
Note: Table regarding to the battery operating time above is for reference. The actual operating time may differ with the type of the battery, charging condition, or usage environment.

Installing or removing slide battery cartridge (Fig. 3 and 4)

- To install the battery cartridge, align the tongue on the battery cartridge with the groove in the housing and slip it into place. Always insert it all the way until it locks in place with a little click.
- If you can see the red indicator on the upper side of the button, it is not locked completely. Install it fully until the red indicator cannot be seen. If not, it may accidentally fall out of the tool, causing injury to you or someone

around you.

- Do not use force when inserting the battery cartridge. If the cartridge does not slide in easily, it is not being inserted correctly.
- To remove the battery cartridge, sliding it from the tool while pressing the button on the front of the cartridge.

IMPORTANT:

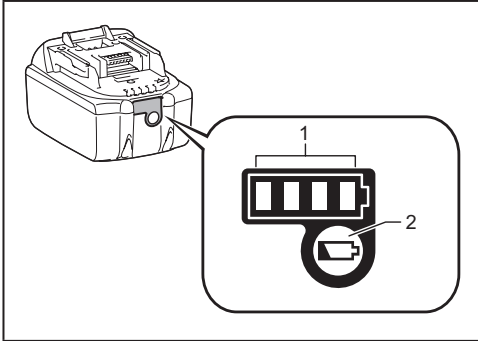
- Be careful not to pinch your fingers when closing the battery cover.

Note:

When the speaker is in low battery, the right LED will flash in red.

Indicating the remaining battery capacity

Only for battery cartridges with "B" at the end of the model number



► 1. Indicator lamps 2. Check button
Press the check button on the battery cartridge to indicate the remaining battery capacity. The indicator lamps light up for few seconds.

• 14.4V/18V batteries

Indicator or lamps			Remaining Capacity
Lighted	Off	Blinking	
■ ■ ■ ■			75% ~ 100%
■ ■ ■ □			50% ~ 75%
■ ■ □ □			25% ~ 50%
■ □ □ □			0% ~ 25%
▣ □ □ □			Charge the battery
■ ■ □ □			The battery may have malfunctioned
□ □ ■ ■			

• 10.8V-12V max batteries

Indicator or lamps			Remaining Capacity
Lighted	Off	Blinking	
■ ■ ■ ■			75% ~ 100%
■ ■ ■ □			50% ~ 75%

■ ■ □ □	25% ~ 50%
■ □ □ □	0% ~ 25%

NOTE: Depending on the conditions of use and the ambient temperature, the indication may differ slightly from the actual capacity.

Using Supplied AC power adaptor (Fig. 5)

Remove the rubber protector and insert the adaptor plug into the DC socket on the right side of the speaker. Plug the adaptor into a standard mains socket outlet. Whenever the adaptor is used, the battery pack is automatically disconnected. The AC adaptor should be disconnected from the main supply when not in use.

IMPORTANT:

- The mains adaptor is used as the means of connecting the speaker to the mains supply. The mains socket used for the speaker must remain accessible during normal use. In order to disconnect the speaker from the mains completely, the mains adaptor should be removed from the mains outlet completely.
- Use the AC power adaptor supplied with the product or specified by Makita only.
- Do not hold the power supply cable and plug by your mouth. Doing so might cause an electric shock.
- Do not touch the power plug with wet or greasy hands.
- If the cord is damaged, have it replaced by our authorized service center in order to avoid a safety hazard. Do not use it before repair.
- After use, always store AC power adaptor out of the reach of children. If children play with the cord, they may suffer injury.

USB power supply socket

This jack can be used to charge a mobile phone or any other device that uses less than 2.1A of DC current. Charging will only occur when the speaker is switched on.

Note: Ensure the specification of your external device such as mobile phone, mp3 player or iPod is compatible with the speaker. Please read instruction manual of your external device before charging.

IMPORTANT:


- Before connecting USB device to the charger, always backup your data of USB device. Otherwise your data may lose by any possibility.
- The charger may not supply power to some USB devices.
- When not using or after charging, remove the USB cable and close the cover.
- Do not connect power source to USB port. Otherwise there is risk of fire. The USB port is only intended for charging lower voltage device. Always place the cover onto the USB port when not charging the lower voltage device.
- Do not insert a nail, wire, etc. into USB power supply port. Otherwise a circuit short may cause smoke and fire.

- Do not connect this USB socket with your PC USB port, as it is highly possible that it may cause breakdown of the units.

Pairing and connecting a device to the speaker

You need to pair your Bluetooth device with the speaker before you can auto-link to play/stream Bluetooth music through the speaker. Pairing creates a 'bond' so two devices can recognize each other. To have the better sound quality, we recommend setting the volume to more than two-thirds level on your Bluetooth device and then adjust the volume on the speaker as required.

Pairing and playing your Bluetooth device for the first time

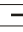

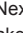

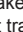


1. Press the Power button  to turn on the speaker and the Bluetooth indicator will flash in blue. The indicator flashes fast flashing blue indicating the speaker is discoverable.
2. Activate Bluetooth on your device according to the device's user manual to link to the speaker. Locate the Bluetooth device list and select the device named 'DMR201' with some mobiles (which are equipped with earlier versions than BT2.1 Bluetooth device), you may need to input the pass code "0000".
3. Once connected, there will be a beep sound and the Bluetooth indicator will remain in solid blue. You can simply select and play any music from your source device. Volume control can be adjusted from your source device, or directly from the speaker.
4. Use the controls on your Bluetooth-enabled device or on the speaker to play/pause and navigate tracks.

Note:

1. If 2 Bluetooth devices, pairing for the first time, both search for the speaker, it will show its availability on both devices. However, if one device links with this unit first, then the other Bluetooth device won't find it on the list.
2. If your Bluetooth device is temporarily disconnected to the speaker, then you need to manually reconnect your device again to the speaker.
3. If 'DMR201' shows in your Bluetooth device list but your device cannot connect with it, please delete the item from your list and pair the device with the speaker again following the steps described previously.
4. The effective operation range between the system and the paired device is approximately 10 meters (30 feet). Any obstacle between the system and the device can reduce the operational range.
5. Bluetooth connectivity performance may vary depending on the connected Bluetooth devices. Please refer to the Bluetooth capabilities of your device before connecting to the speaker. All features may not be supported on some paired Bluetooth devices.

Playing audio files in Bluetooth mode

When you have successfully connected the speaker with the chosen Bluetooth device you can start to play your music using the controls on your connected Bluetooth device.

1. Once playing has started adjust the volume to the required setting using the Volume buttons   on the speaker or on your enabled Bluetooth device. When you press the Volume up/down button, the volume indicator will flash in fast flashing red. If the indicator light in solid red, it indicates the volume is in maximum volume or minimum volume.
2. Use the controls on your device to play/pause and navigate tracks. Alternatively, control the playback using Play/Pause , Next track , Previous track buttons  on the speaker.
3. Press and hold the Next track  or Previous button  to fast-forward/Rewind the current track. Release the button when the desired point in the track is reached.


Note:

1. That not all player applications or devices may respond to all of these controls.
2. Some mobile phones may temporarily disconnect from the speaker when you make or receive calls. Some devices may temporarily mute their Bluetooth audio streaming when they receive text messages, emails or for other reasons unrelated to audio streaming. Such behaviour is a function of the connected device and does not indicate a fault with the speaker.

Speaker memory and reconnecting a device

The speaker can memorize up to 8 sets of paired device, when the memory exceed this amount, the oldest pairing history will be over written. If your Bluetooth device already paired with the speaker previously, the unit will memorize your Bluetooth device and it attempts to reconnect with a device in memory which is last connected. If the last connected device is not available, the speaker will be discoverable.

Disconnecting your Bluetooth device

Press and hold the Bluetooth pairing button  for 2-3 seconds to disconnect with your Bluetooth device. The Bluetooth indicator flashes in blue indicating the speaker is discoverable again for pairing.

Playing music via auxiliary input socket

A 3.5mm Auxiliary input socket is provided on the right side of the unit to permit an audio signal to be fed into the unit from any devices that features a headphone or audio output, such as an iPod, MP3 or CD player.

1. Connect a stereo or mono audio source (for example, iPod, MP3 or CD player) to the Auxiliary input socket (marked 'AUX') and the Aux in indicator turns green indicating the speaker is in auxiliary input mode.

- Adjust the Volume control on your iPod, MP3 or CD player to ensure an adequate signal and then adjust the volume on the speaker for comfortable listening.
- To have the better sound quality, we recommend setting the volume to more than two-thirds level on your audio device and then adjust the volume on the speaker as required.

Note:

When Aux in socket is connected an audio device, the speaker will be switched from Bluetooth to auxiliary input mode. You can also press the source button to select your desired mode.

Using USB memory devices


Important:

- Your speaker is only designed to work with USB flash memory devices. It is not intended to be connected to hard disk drives or any other type of USB device.
- It is possible to use SD or SDHC cards for media playback when held in a suitable USB adaptor. However, due to the wide variation of such adaptors, it is not possible to guarantee that all adaptor/card combinations will work with the speaker.
- The speaker has been tested with a range of USB memory devices of up to 32GB capacity. It supports USB 2.0 full speed and USB 3.0. (**Note:** when using USB 3.0, please allow the speaker to detect the device for a longer period of time.)
- USB memory must use the FAT or FAT 32 filing system in order to operate with the speaker, it does not support NTFS.
- Audio formats supported for playback are MP3,WMA and AAC. Playback does not support files encoded using WMA lossless, WMA Voice, WMA 10 professional, nor files of any format which have DRM protection.



⚠ Cautions:

- In order to minimize the risk of damage to your speaker, your USB Memory, please place the speaker such that the device cannot easily be knocked while it is inserted in the socket.
- Remove the USB before carrying the speaker or if not using the USB feature for a prolonged period.
- Turn off the speaker before removing your USB memory device.
- The USB connection is intended only for flash memory devices. The use of hard disk storage media is not supported.
- Playback via USB files stored on MP3 players is not guarantee.
- Large file size or high memory USB device takes longer time to read.

Playing files from USB memory devices

- Open the battery cover and insert the USB memory device into the USB slot which is located in the battery compartment. Close the battery cover.
- Press the Power button  to turn on the speaker and USB indicator turns amber indicating the speaker is in USB mode. The speaker will then start playing from the USB memory device.



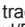
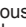
Note: Once the USB memory device is plugged in, the speaker will automatically enter in USB mode. You can also press the source button to select your desired mode if needed.

- To pause playing, press the Play/Pause button . To resume playing, press the Play/Pause button  again.



Note:

- If you turn off the speaker, the next time the speaker is turned on, it will resume to the last played track.
- If you switch to other mode when playing from the USB memory device, playback will be paused. When you switch to the USB mode again, playback will resume from the point where it was paused.
- It is recommended to store only music files (MP3/WMA/AAC) in your USB memory device. If there is one folder contains file(s) other than music files, your speaker will skip this file/folder.

Selecting a file

- While the USB memory device is playing, press either the Next track button  or Previous track button  to change to the desired file. If there's more than one folder, all files in the current folder should have been played and the next folder will be played.
- Press and hold the Next track button  or Previous track button  to fast-forward/Rewind the current track. Release the button when the desired point in the track is reached.

To skip to another folder

With the USB memory device is in pause or play mode, press and release the Next folder button  or Previous folder button . The first file of the next or previous folder will be played.

Note:

If your USB contains a folder without files, the device will skip the folder and play the files in the next folder.

MAINTENANCE

⚠ CAUTION:

- Never use gasoline, benzine, thinner, alcohol or the like. Discoloration, deformation or cracks may result

SPECIFICATION

Amplifier

Output power	10.8V-12Vmax:3W 14.4V:6W 18V:10W
--------------	--

Frequency response	50Hz~20kHz
--------------------	------------

Aux In

Input sensitivity	250mVrms @100Hz
-------------------	-----------------

Speaker

Main speaker	101.6mm 8ohm 10W
--------------	------------------

Tweeter speaker	36mm 8ohm 10W
-----------------	---------------

Bluetooth

(The Bluetooth® word mark and logos are registered trademarks owned by Bluetooth SIG, Inc.)

Bluetooth version	4.0
-------------------	-----

Bluetooth Profiles	A2DP SCMS-T AVRCP
--------------------	-------------------------

Transmission Power	Power Class2
--------------------	--------------

Transmission Range	Max.10m (varies according to usage conditions)
--------------------	--

Supported codec	SBC
-----------------	-----

Compatible Bluetooth profile	A2DP
------------------------------	------

Maximum radio-frequency power	BT EDR: 3.68dBm BT LE: 3.12dBm
-------------------------------	-----------------------------------

Operating Frequency	2402MHz~2480MHz
---------------------	-----------------

USB Playback Section

USB Standards	USB3.0 / USB2.0
---------------	-----------------

Compatible File System	FAT 32/16/12
------------------------	--------------

Playable Audio format	MP3 / WMA / AAC
-----------------------	-----------------

Max. Current	500 mA (Max)
--------------	--------------

General

AC power adaptor	DC in 12V 1.5A, center pin positive
------------------	-------------------------------------

Battery	Slide battery: 10.8 V-12Vmax 14.4 V 18 V
---------	---

Dimensions(W x H x D)	211 mm × 206 mm × 199 mm
-----------------------	--------------------------

Weight	2.7KG (without battery)
--------	-------------------------

The company reserves the rights to amend the specification without notice.

Symboles

Les symboles utilisés pour l'équipement sont affichés ci-dessous. Soyez sûr de tout comprendre avant toute utilisation.



Lisez le manuel d'utilisation.

INSTRUCTIONS IMPORTANTES DE SECURITE

⚠ AVERTISSEMENT :

Lorsque vous utilisez des outils électriques, des précautions de base devraient toujours être suivies pour réduire le risque d'incendie, d'électrocution et de blessures, notamment les précautions suivantes :

1. Lisez ce manuel d'utilisation attentivement ainsi que le manuel d'utilisation du chargeur avant de l'utiliser.
2. Nettoyez avec un chiffon sec.
3. N'installez pas à proximité de sources de chaleur telles que radiateurs, registre de chaleur, poêle ou autres appareils (y compris les amplificateurs) qui produisent de la chaleur.
4. N'utilisez que les extensions/accessoires spécifiés par le fabricant.
5. Débranchez cet appareil lors des orages ou lorsqu'il est inutilisé pendant une longue période.
6. Un haut-parleur commandé par une batterie avec batteries intégrées ou par une batterie externe doit être rechargé qu'avec le chargeur spécifié pour la batterie. Un chargeur qui est adaptée pour un type de batterie peut provoquer un risque d'incendie lorsqu'il est utilisé avec une autre batterie.
7. Utilisez le haut-parleur commandé par la batterie uniquement avec des batteries externes spécifiquement désignées. L'utilisation d'autres batteries peut provoquer un risque d'incendie.
8. Lorsque la batterie externe n'est pas utilisée, veuillez le tenir éloigné des autres objets métalliques tels que : les trombones, les pièces de monnaie, les clés, les clous, les vis ou les autres petits objets métalliques qui peuvent établir une connexion d'une borne à un autre. Court-circuiter les bornes de la batterie peut provoquer des étincelles, des brûlures ou un incendie.
9. Évitez tout contact corporel avec des surfaces reliées à la terre telles que les tuyaux, les radiateurs, les cuisinières et les réfrigérateurs. Il y a un risque accru de choc électrique si votre corps est relié à la terre.
10. Dans des conditions extrêmes, du liquide peut être éjecté depuis la batterie; évitez tout contact avec le liquide. En cas de contact accidentel, rincez avec de l'eau. Si le liquide rentre en contact avec les yeux, consultez un médecin. Le liquide éjecté depuis la batterie peut causer des irritations ou des brûlures.
11. N'utilisez pas le regroupement de batteries d'accumulateurs ou un outil qui a été endommagé voire même modifié. Les batteries endommagées ou modifiées peuvent présenter un comportement imprévisible entraînant un incendie, une explosion ou un risque de blessure.
12. N'exposez pas une batterie ou un outil au feu ou à une température excessive. L'exposition au feu ou à

une température supérieure à 130 °C peut provoquer une explosion.

13. Suivez toutes les instructions de charge et ne chargez pas la batterie ou l'outil en dehors de la plage de température spécifiée dans les instructions. La charge incorrecte ou à des températures en dehors de la plage spécifiée peut endommager la batterie et augmenter le risque d'incendie.
14. Les prises SECTEUR sont utilisées comme dispositif de déconnexion, et elles doivent rester facilement accessible.
15. N'utilisez pas le produit à un volume élevé durant une période prolongée. Pour éviter les dommages auditifs, utilisez le produit à un niveau de volume modéré.
16. (pour les produits avec affichage à cristaux liquides seulement) les affichages à cristaux liquides incluent le liquide qui peut causer de l'irritation et un empoisonnement. Si le liquide pénètre dans les yeux, la bouche ou la peau, rincez avec de l'eau et appelez un médecin.
17. N'exposez pas le produit à la pluie ou à des environnements humides. L'eau pénétrant dans le produit augmente le risque de choc électrique.
18. Ce produit n'est pas destiné à être utilisé par des personnes (y compris des enfants) ayant des capacités physiques, sensorielles ou mentales réduites, ou un manque d'expérience et de connaissances, à moins qu'elles aient reçu une supervision ou une formation concernant l'utilisation du produit par une personne responsables pour leur sécurité. Les enfants doivent être surveillés pour s'assurer qu'ils ne jouent pas avec le produit. Entreposez le produit hors de la portée des enfants.

ENREGISTRER SES INSTRUCTIONS

REGLES SPECIFIQUES DE SECURITE

POUR LA CARTOUCHE DE BATTERIE

1. Avant d'utiliser la cartouche de batterie, lire toutes les instructions et les avertissements concernant (1) le chargeur de batterie, (2) la batterie, et (3) l'équipement utilisant la batterie.
2. Ne démontez pas la cartouche de batterie.
3. Si le temps de fonctionnement devient excessivement court, cessez immédiatement l'utilisation. Il peut en résulter un risque de surchauffe, de brûlures et même d'explosion.
4. Si l'électrolyte pénètre dans vos yeux, rincez-les à l'eau claire et consultez un médecin immédiatement. Cela peut entraîner une perte de la vue.
5. Ne court-circuitez pas la cartouche de la batterie :
 - (1) Ne touchez pas les bornes avec un matériau conducteur.
 - (2) Évitez de ranger la cartouche de la batterie dans un conteneur avec d'autres objets métalliques tels que des clous, des pièces de monnaie, etc.
 - (3) N'exposez pas la cartouche de la batterie à l'eau ou à la pluie. Un court-circuit de la batterie peut provoquer un fort courant, une surchauffe, des brûlures et même une panne.
6. Ne rangez pas l'outil ou la cartouche de la batterie dans des endroits où la température peut atteindre ou

dépasser 50 ° C (122 ° F)

7. N'incinerez pas la cartouche de la batterie même si elle est sérieusement endommagée ou complètement usée. La cartouche de la batterie peut exploser dans un feu.
8. Veillez ne pas laisser tomber ou heurter la batterie.
9. N'utilisez pas de batterie endommagée.
10. Pour éviter tout risque, le manuel de la batterie de remplacement de la batterie doit être lu avant utilisation. Le courant de décharge maximal de la batterie doit être supérieur ou égal à 8A
11. Les batteries lithium-ion sont soumises aux exigences de la législation sur les marchandises dangereuses. Pour les transports commerciaux, par ex. par des tiers, des agents de livraison, des exigences particulières en matière de conditionnement et d'étiquetage doivent être respectées.
Pour la préparation de l'article à expédier, il est nécessaire de consulter un expert pour les matières dangereuses. Veuillez également observer des réglementations nationales éventuellement plus détaillées.
Recouvrez par du scotch ou masquez les contacts ouverts et emballez la batterie de telle manière qu'elle ne puisse pas bouger dans l'emballage.
12. Utilisez les réglementations locales relatives à l'élimination des batteries.
13. Utilisez les batteries uniquement avec les produits spécifiés par Makita. L'installation des batteries dans des produits non conformes peut entraîner un incendie, une chaleur excessive, une explosion ou une fuite d'électrolyte.

⚠ MISE EN GARDE :

- Risque d'explosion si la batterie est incorrectement remplacée.
- Remplacez uniquement avec le même type ou équivalent.
- n'utilisez que des batteries Makita authentiques. L'utilisation de batteries Makita non authentiques, ou des batteries qui ont été modifiées, peut provoquer une explosion de la batterie provoquant des incendies, des blessures et des dégâts. Cela annulera également la garantie Makita pour l'outil Makita et le chargeur.

Conseils pour maintenir la durée de vie de la batterie au maximum

1. Chargez la cartouche de la batterie avant qu'elle ne soit complètement déchargée. Arrêtez toujours le fonctionnement de l'équipement et rechargez la cartouche de la batterie lorsque vous remarquez que la puissance de l'équipement est faible.
2. Rechargez jamais une cartouche de batterie qui est déjà complètement chargée. La surcharge réduit la durée de vie de la batterie.
3. Rechargez la cartouche de batterie à une température ambiante de 10 ° C à 40 ° C (50 ° F - 104 ° F). Laissez la cartouche de batterie chaude se refroidir avant de la charger.
4. Rechargez la cartouche de batterie si vous ne l'utilisez pas pendant une longue période (plus de six mois)



Attention à l'intention de l'utilisateur

Tout changement ou modification non expressément approuvés par la partie responsable de la conformité peut entraîner l'annulation du droit de l'utilisateur à utiliser cet appareil.

Énoncé sur l'exposition aux RF

NOTE IMPORTANTE : Pour répondre aux exigences de conformité à l'exposition RF FCC, l'antenne utilisée avec l'émetteur doit être installée pour permettre une distance de séparation d'au moins 20cm de toute personne et ne doit pas être placée à côté ou fonctionner conjointement avec une autre antenne ou un autre émetteur. Aucun changement sur l'antenne ou sur l'appareil n'est autorisé. Tout changement sur l'antenne ou l'appareil pourrait amener l'appareil à dépasser les exigences d'exposition RF et annuler le droit de l'utilisateur d'utiliser l'appareil.

REMARQUE : cet équipement a été testé et déclaré conforme aux limites des appareils numériques de Classe B ; en accord avec le chapitre 15 du règlement de la FCC. Ces limites ont pour objectif de fournir une protection raisonnable contre les interférences nuisibles dans une installation résidentielle.

Cet équipement génère, utilise et rayonne de l'énergie de fréquence radio et peut nuire aux communications radio s'il n'est pas installé et utilisé en accord avec les instructions du mode d'emploi. Cependant, il n'est pas garanti que des interférences surviennent dans une installation particulière. Si l'équipement cause des interférences nuisibles à la réception radio ou télévision, qui peuvent être localisées en allumant ou en éteignant l'équipement, l'utilisateur est encouragé à corriger les interférences en employant une ou plusieurs des mesures suivantes :

- Réorienter ou déplacer l'antenne de réception.
- Séparer davantage l'équipement et le récepteur.
- Connecter l'équipement à une prise de courant située sur un circuit différent de celui du récepteur.
- Demandez assistance à un revendeur ou un technicien expérimenté dans le domaine radio/TV.

Pour le Canada :

Attention à l'intention de l'utilisateur

Tout changement ou modification non expressément approuvés par la partie responsable de la conformité peut entraîner l'annulation du droit de l'utilisateur à utiliser cet appareil.

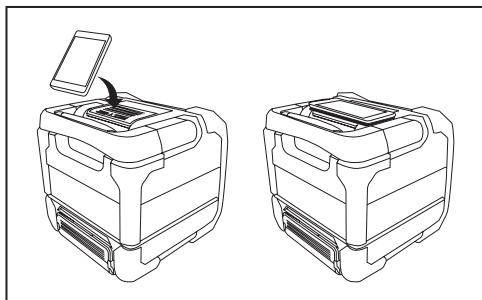
Énoncé sur l'exposition aux RF

Pour répondre aux exigences de conformité à l'exposition RF IC, l'antenne utilisée avec l'émetteur doit être installée pour permettre une distance de séparation d'au moins 20 cm de toute personne et ne doit pas être placée à côté ou fonctionner conjointement avec une autre antenne ou un autre émetteur. Aucun changement sur l'antenne ou sur l'appareil n'est autorisé. Tout changement sur l'antenne ou l'appareil pourrait amener l'appareil à dépasser les exigences d'exposition RF et annuler le droit de l'utilisateur d'utiliser l'appareil.

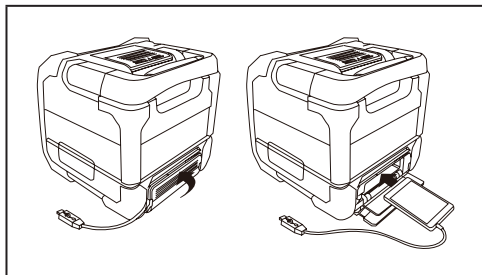
Le présent dispositif est conforme aux CNR d'Industrie Canada applicables aux appareils exempts de licence. L'exploitation est autorisée aux deux conditions suivantes : (1) le dispositif ne doit pas produire de brouillage, et (2) le dispositif doit accepter tout brouillage radioélectrique subi, même si le brouillage est susceptible de compromettre le fonctionnement du dispositif.

Interprétation de la vue générale (Fig.1)

1. Casier du compartiment pour batterie
2. Panneau pour placer le portable (téléphone cellulaire)



3. Bouton de couplage Bluetooth
4. Bouton volume bas
5. Bouton volume haut
6. Bouton Dossier suivant
7. Bouton Piste suivante/bouton avance rapide
8. Indicateur de volume max. ou min./ Indicateur batterie faible
9. Indicateur Bluetooth/indicateur Aux in/Indicateur USB
10. Bouton Piste précédent/ bouton rembobinage
11. Bouton Dossier précédent
12. Bouton d'alimentation
13. Bouton source
14. Bouton Lecture/Pause
15. Haut-parleur
16. Poignée
17. Prise DC in
18. Prise d'entrée auxiliaire
19. Prise de charge USB
20. Couvrete du tiroir de rangement du mobile
21. Trou du câble
22. Tiroir de rangement du mobile (téléphone portable)



23. Terminal de la batterie de 14,4 V/18 V
24. Terminal de la batterie de 10,8 V-12 Vmax
25. Prise de lecture USB
26. Couvrete de la batterie
27. Batterie
28. Bouton

Alimentation

Le haut-parleur peut être alimenté par des blocs batteries Makita ou par une prise murale standard.

Alimentation par batterie

Le tableau suivant indique le temps de fonctionnement sur une seule charge.

Capacité de la batterie	Tension de la batterie			SORTIE DU HAUT-PARLEUR = 100 mW Unité : Heures (Approximative)			
	10,8V-12 Vmax	14,4 V	18 V	Lecture USB	Bluetooth	AUX IN	Lecture USB + Charge USB (2,1 A)
1.3Ah		BL1415*		4.5	5.5	5.5	1.0
			BL1815*	5.0	6.0	6.0	1.2
1.5Ah	BL1016			6.0	9.0	9.0	0.9
		BL1415N*		5.5	7.0	7.0	1.3
			BL1815N	6.0	7.5	7.5	1.4
2.0Ah	BL1021B			8.0	12	12	1.1
			BL1820* BL1820B	8.5	10	10	1.9
3.0Ah		BL1430* BL1430B		9.5	12	12	2.2
			BL1830 BL1830B	11	14	14	2.7
4.0Ah	BL1041B			16	24	24	2.2
		BL1440*		15	19	19	3.5
			BL1840* BL1840B	16	20	20	3.5
5.0Ah		BL1450*		18	23	23	4.0
			BL1850* BL1850B	21	26	26	4.5
6.0Ah		BL1460B*		20	25	25	4.5
			BL1860B	25	32	32	5.5

* varie selon le pays

⚠ AVERTISSEMENT : n'utilisez que les cartouches de batterie énumérées ci-dessus. L'utilisation de toute autre cartouche de batterie peut causer des blessures et/ou des incendies.

Remarque : le tableau concernant la durée de fonctionnement de la batterie ci-dessus est présenté comme référence. Le temps de fonctionnement réel peut différer du type de la batterie, de la condition de la charge ou de l'environnement d'utilisation.

de batterie amovible (fig. 3 et 4)

- Pour installer la cartouche de batterie, alignez la languette de la cartouche de batterie avec la rainure dans le boîtier et faites le glisser en place. Insérez-la toujours complètement jusqu'à ce qu'elle se verrouille en place avec un petit clic.
- Si vous pouvez voir le voyant rouge sur la face supérieure du bouton, cela signifie qu'elle n'est pas parfaitement verrouillée. Installez-la entièrement jusqu'à ce que le voyant rouge ne soit plus visible. Sinon, elle

risque de tomber accidentellement de l'équipement, causant un préjudice à vous ou à quelqu'un d'autre autour de vous.

- N'utilisez pas la force lors de l'insertion de la cartouche de batterie. Si la batterie ne glisse pas facilement, elle n'est pas insérée correctement.
- Pour retirer la batterie, faites-la glisser de l'équipement tout en appuyant sur le bouton sur la face avant de la cartouche.

IMPORTANT :

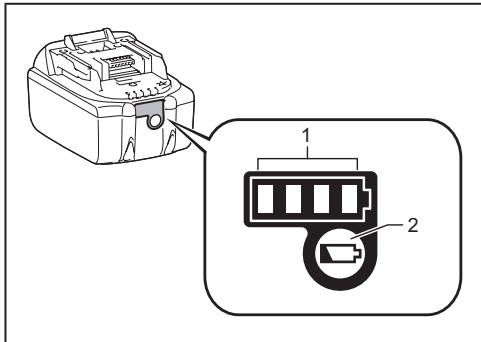
- Soyez prudent en fermant le couvercle de la batterie pour éviter d'avoir vos doigts pincés par le système.

Remarque :

Lorsque la charge de la batterie du haut-parleur est faible, la LED droite clignotera en rouge.

Indiquant la capacité restante de la batterie

Uniquement pour les cartouches de batterie avec "B" à la fin du numéro de modèle



► 1. Voyant des Lampes 2. Bouton de vérification
Appuyez sur le bouton de vérification sur la cartouche de batterie pour indiquer la capacité restante de la batterie. Les voyants sont allumés pendant quelques secondes.

• Batteries de 14,4 V / 18 V

Voyant des lampes			Capacité restante
Allumés	Eteintes	Clignotant	
■ ■ ■ ■			75% ~ 100%
■ ■ ■ □			50% ~ 75%
■ ■ □ □			25% ~ 50%
■ □ □ □			0% ~ 25%
◻ □ □ □		◻	Rechargez la batterie
■ ■ □ □		◻	La batterie semble mal fonctionnée
◻ □ ■ ■		◻	

• Batteries de 10,8 V-12 V max

Voyant des lampes			Capacité restante
Allumés	Eteintes	Clignotant	
■	□	◻	

■ ■ ■ ■	75% ~ 100%
■ ■ ■ □	50% ~ 75%
■ ■ □ □	25% ~ 50%
■ □ □ □	0% ~ 25%

REMARQUE : Selon les conditions d'utilisation et la température ambiante, le voyant peut différer légèrement de la capacité réelle.

En utilisant l'adaptateur secteur fourni (fig. 5)

Retirez la protection en caoutchouc et insérez l'adaptateur dans la prise DC sur le côté droit de haut-parleur. Branchez l'adaptateur dans une prise secteur standard. Chaque fois que l'adaptateur est utilisé, la batterie est automatiquement déconnectée. L'adaptateur secteur doit être déconnecté de l'alimentation principale en cas de non utilisation.

IMPORTANT:

- La prise secteur est utilisée comme moyen de connecter la radio à l'alimentation secteur. La prise secteur utilisée pour la radio doit rester accessible durant l'utilisation normale. Afin de déconnecter la radio du secteur, la prise secteur doit être enlevée complètement de la prise d'alimentation secteur.
- Utilisez l'adaptateur secteur fourni avec le produit ou uniquement celui spécifié par MAKITA.
- Ne tenez pas le câble d'alimentation et ne le mettez pas dans votre bouche. Cela peut provoquer un choc électrique.
- Ne touchez pas le câble d'alimentation avec les mains mouillées ou grasses.
- Si le cordon est endommagé, faites-le remplacer par notre centre de service autorisé afin d'éviter tout risque de sécurité. Ne l'utilisez surtout pas avant la réparation.
- Après utilisation, rangez toujours l'adaptateur secteur hors de la portée des enfants. Si les enfants jouent avec le cordon d'alimentation, ils encourent des risques de blessures.

Prise d'alimentation USB fournie

Cette prise peut être utilisée pour charger un téléphone mobile ou tout autre appareil qui utilise moins de 2,1 A de courant continu. La recharge ne se fera que lorsque le haut-parleur est allumé.

Remarque : Vérifiez la spécification de votre périphérique externe tel que le téléphone portable, le lecteur mp3 ou iPod est compatible avec le haut-parleur. Veuillez lire le manuel d'utilisation de votre appareil externe avant de le charger.

IMPORTANT :

- Avant de connecter un périphérique USB au chargeur, toujours sauvegarder vos données du périphérique USB. Sinon, vous pourriez perdre tout vos données.
- Le chargeur peut ne pas alimenter certains

- périphériques USB.
- En cas de non utilisation ou après la charge, retirez le câble USB et fermez le couvercle.
- Ne branchez pas la source d'alimentation au port USB. Sinon, il y a risque d'incendie. Le port USB est destiné uniquement à la charge de dispositif à faible tension. Placez toujours le couvercle sur le port USB lorsque vous ne rechargez pas un l'appareil de faible tension.
- N'insérez pas de clou, de fil de fer, etc., dans le port d'alimentation USB. Sinon, un court-circuit peut provoquer de la fumée et du feu.
- Ne branchez pas cette prise USB avec votre port USB du PC, car il est très possible que cela peut provoquer une panne des unités.

Coupler et connecter un appareil avec l'enceinte

Vous devez coupler votre appareil Bluetooth avec le haut-parleur avant que vous puissiez le relier automatiquement pour lire/diffuser de la musique Bluetooth via le haut-parleur. Le couplage crée un « lien » afin que deux appareils puissent se reconnaître mutuellement. Pour avoir une meilleure qualité sonore, nous vous conseillons de régler le volume à plus des deux tiers sur votre appareil Bluetooth, puis ajustez le volume sur le haut-parleur au besoin.

Coupler et utiliser votre appareil Bluetooth pour la première fois

- Appuyez sur le bouton d'alimentation **(I)** pour allumer le haut-parleur et l'indicateur Bluetooth clignotera en bleu. L'indicateur clignotera en bleu rapidement indiquant que le haut-parleur est détectable.
- Activez le Bluetooth sur votre appareil conformément au manuel d'instruction pour le relier à votre enceinte. Situez la liste des appareils Bluetooth et choisissez l'appareil nommé ' DMR201.'. Avec certains portables (équipés de versions antérieures aux appareils Bluetooth BT.2.1), vous devrez saisir un mot de passe « 0000 ».
- Une fois connecté, il se fera entendre un bip sonore et l'indicateur de Bluetooth restera en bleu fixe. Vous pouvez maintenant simplement sélectionner et lire n'importe quelle musique de votre périphérique source. La commande de volume peut être réglée à partir de votre appareil source, ou directement à partir du haut-parleur.
- Utilisez les commandes de l'appareil avec la fonction Bluetooth ou de votre enceinte pour lire / mettre en pause et naviguer entre les pistes.

Remarque :

- Si 2 appareils Bluetooth, effectuent le couplage pour la première fois, les deux à la fois recherchent haut-parleur, il sera affiché la disponibilité sur les deux appareils. Toutefois, si l'un des appareils se lie avec cet appareil d'abord, l'autre appareil Bluetooth ne la trouvera pas sur la liste.
- Si votre périphérique Bluetooth est temporairement déconnecté de votre haut-parleur, alors vous devez reconnecter manuellement votre appareil à nouveau

avec le haut-parleur.

- Si « DMR201 » est affiché dans votre liste d'appareils Bluetooth, mais que votre appareil ne peut pas se connecter avec elle, veuillez supprimer l'élément de votre liste et coupez de nouveau l'appareil avec le haut-parleur en suivant les étapes décrites précédemment.
- La portée de fonctionnement effective entre le système et l'appareil couplé est d'environ 10 mètres (30 pieds). Tout obstacle entre le système et l'appareil risque de réduire la portée de fonctionnement.
- La performance de connectivité Bluetooth peut varier en fonction des appareils Bluetooth connectés. Référez-vous aux fonctionnalités Bluetooth de votre appareil avant de connecter votre radio. Toutes les fonctions ne seront peut-être pas compatibles sur certains appareils Bluetooth.

Lire des fichiers audio en mode Bluetooth

Lorsque vous avez correctement connecté votre radio avec l'appareil Bluetooth de votre choix, vous pouvez commencer à lire votre musique en utilisant les contrôles sur votre appareil Bluetooth connecté.

- Une fois que la lecture a commencé, réglez le volume sur la valeur souhaitée en utilisant les boutons de volume **[-]** **[+]** de votre haut-parleur ou sur votre appareil avec Bluetooth activé.
- Lorsque vous appuyez sur le bouton Volume haut / bas, le voyant de volume clignote rouge. Si le voyant est rouge permanent, il indique que le volume est au maximum ou minimum. Utilisez les commandes de votre appareil pour la lecture / pause et naviguez parmi les pistes. Alternativement, contrôlez la lecture en utilisant Lecture / Pause **||**, le bouton Piste suivante **▶▶**, le bouton Piste précédente **◀◀** sur le haut-parleur.
- Appuyez et maintenez le bouton Piste Suivante **▶▶** ou **◀◀** Piste précédente pour avancer rapidement / reculer la piste actuelle. Relâchez le bouton lorsque le point souhaité dans la piste est atteint.

Remarque :

- Toutes les applications de lecture ou périphériques peuvent répondre à l'ensemble de ces contrôles.
- Certains téléphones mobiles peuvent se déconnecter temporairement de votre haut-parleur lorsque vous donnez ou recevez des appels. Certains appareils peuvent couper temporairement leur streaming audio Bluetooth quand ils reçoivent des messages texte, e-mails ou pour d'autres raisons non liées au comportement du streaming audio. Ce comportement est une fonction de l'appareil connecté et ne constitue pas un défaut de votre haut-parleur.

Mémoire du haut-parleur et reconnexion d'un appareil

Votre haut-parleur peut mémoriser jusqu'à 8 appareils couplés, lorsque la mémoire dépasse ce nombre, le premier appareil couplé sera remplacé. Si votre appareil Bluetooth a déjà été couplé avec le haut-parleur précédemment, l'unité mémorisera votre appareil

Bluetooth et essaiera de se reconnecter avec l'appareil qui a été le dernier connecté enregistré en mémoire. Si le dernier appareil connecté n'est pas disponible, le haut-parleur ne sera pas détectable.

Déconnecter votre appareil Bluetooth

Tenez la touche Bluetooth  2-3 secondes pour déconnecter votre appareil Bluetooth. L'indicateur Bluetooth clignote en bleu pour indiquer que l'enceinte est détectable de nouveau pour le couplage.

Lire de la musique par l'intermédiaire de la prise d'entrée auxiliaire

Une prise d'entrée auxiliaire de 3,5 mm est prévu sur le côté droit de l'appareil pour permettre l'entrée d'un signal audio dans l'appareil de tous les périphériques qui dispose d'une sortie casque ou audio, comme un iPod, lecteur MP3 ou CD.

1. Connectez une source audio stéréo ou mono (par exemple, iPod, MP3 ou lecteur de CD) à la prise auxiliaire d'entrée (marqué «AUX») et l'indicateur AUX IN devient vert, indiquant que le haut-parleur est en mode d'entrée auxiliaire.
2. Réglez le volume de votre iPod, lecteur MP3 ou lecteur CD pour assurer un niveau de volume suffisant, utilisez ensuite la commande de réglage Volume de l'unité pour régler le volume sur un niveau d'écoute confortable.
3. Pour avoir une meilleure qualité sonore, nous vous conseillons de régler le volume au plus des deux tiers sur votre appareil audio, puis d'ajuster le volume sur le haut-parleur au besoin.

Remarque :

Lorsque la prise Aux in est connectée à un périphérique audio, le haut-parleur sera basculé du mode Bluetooth à l'entrée auxiliaire. Vous pouvez également appuyer sur le bouton source pour sélectionner le mode désiré.

Utilisation des périphériques de mémoire USB

Important :




1. Votre haut-parleur est seulement conçu pour fonctionner avec les dispositifs de mémoire flash USB. Il n'est pas destiné à être connecté à des lecteurs de disque dur ou tout autre type de périphérique USB.
2. Il est possible d'utiliser des cartes SD ou SDHC pour la lecture des médias lorsqu'elles sont conservées dans un adaptateur USB approprié. Toutefois, en raison de la grande variété de ces adaptateurs, il n'est pas possible de garantir que toutes les combinaisons adaptateur/ carte fonctionneront avec le haut-parleur.
3. Le haut-parleur a été testé avec une gamme de périphériques mémoire USB allant jusqu'à 32 Go de capacité. Il supporte le format USB 2.0 full speed et USB 3.0. (Remarque : lors de l'utilisation de l'USB 3.0, veuillez permettre au haut-parleur de détecter l'appareil pendant une période de temps assez longue.)
4. La mémoire USB doit utiliser le système de classement FAT ou FAT 32 afin de fonctionner avec le haut-parleur, il ne prend pas en charge le NTFS.

5. Les formats audio pris en charge pour la lecture sont mp3, WMA et AAC. La lecture ne prend pas en charge les fichiers encodés à l'aide du WMA Lossless, WMA voice, WMA 10 Professional, ni de tout type de format de fichiers ayant une protection DRM.

⚠ Mises en garde :

1. Afin de minimiser le risque de dommages de votre haut-parleur, et de votre mémoire USB, veuillez placer le haut-parleur de telle sorte que l'appareil ne subisse aucun choc pendant qu'il est branché.
2. Retirez l'USB avant de déplacer le haut-parleur ou si vous n'utilisez pas la fonction USB pendant une période de temps prolongée.
3. Éteignez le haut-parleur avant de retirer votre périphérique de mémoire USB.
4. La connexion USB est destinée uniquement aux dispositifs de mémoire flash. L'utilisation de supports de stockage sur disque dur n'est pas prise en charge.
5. La lecture via les fichiers USB stockés sur les lecteurs MP3 n'est pas garantie.
6. Les dossiers volumineux ou les dispositifs de mémoire USB ayant une capacité de stockage élevée prendra beaucoup plus de temps à être lu.

Lecture de fichiers à partir de périphériques de mémoire USB

1. Ouvrez le couvercle des piles et insérez le dispositif de mémoire USB dans la fente USB qui se trouve dans le compartiment des piles. Fermez le couvercle des piles.
2. Appuyez sur le bouton d'alimentation  pour allumer le haut-parleur et l'indicateur USB s'allumera en couleur sombre indiquant que le haut-parleur est en mode USB. Le haut-parleur va alors commencer à jouer à partir du périphérique de mémoire USB.
Remarque : une fois le périphérique de mémoire USB branché, le haut-parleur entrera automatiquement en mode USB. Vous pouvez également appuyer sur le bouton source pour sélectionner le mode désiré si nécessaire.
3. pour mettre en pause la lecture, appuyez sur le bouton Lecture/Pause . Pour reprendre la lecture, appuyez de nouveau sur le bouton Lecture/Pause .

Remarque :

- a) si vous éteignez le haut-parleur, la prochaine fois que le haut-parleur sera mise en marche, il reprendra à la dernière piste qui était en lecture.
- b) si vous passez à un autre mode lorsque vous jouez à partir du périphérique de mémoire USB, la lecture sera suspendue. Lorsque vous passez à nouveau en mode USB, la lecture reprendra à partir du point où elle a été mise en pause.
- c) il est recommandé de stocker uniquement des fichiers musicaux (MP3/WMA/AAC) sur votre périphérique de mémoire USB. Si un dossier contient un ou des fichiers autres que des fichiers musicaux, votre haut-parleur ignorera ce fichier/dossier.

Sélection d'un fichier

1. Pendant que le périphérique de mémoire USB est en cours de lecture, appuyez sur le bouton Piste suivant **▶▶** ou sur le bouton Piste précédente **◀◀** pour passer au fichier désiré. S'il y a plus d'un dossier, tous les fichiers du dossier en cours doivent avoir été lus et le dossier suivant sera alors lu.
2. Appuyez et maintenez le bouton Piste suivante **▶▶** ou le bouton Piste précédente **◀◀** pour avancer/rembobiner la piste en cours. Relâchez le bouton lorsque le point désiré de la piste est atteint.

Pour passer à un autre dossier

Le périphérique de mémoire USB doit être en mode pause ou lecture, appuyez et relâchez alors le bouton Dossier suivant **▶▶** ou le bouton Dossier précédent **◀◀**. Le premier fichier du dossier suivant ou précédent sera alors lu.

Note :

Si votre clé USB contient un dossier sans fichier, l'appareil ignorera le dossier et jouera les fichiers dans le dossier suivant.

ENTRETIEN

⚠ AVERTISSEMENT :

- N'utilisez jamais d'essence, de diluant, d'alcool ou produits similaires. Des décolorations, déformations ou des fissures peuvent en résulter.

Spécification

Amplificateur	
Puissance de sortie	10,8 V-12 Vmax : 3 W 14.4V:6W 18V:10W
Fréquence de réponse	50Hz~20kHz
Aux In	
Sensibilité d'entrée	250mVrms @100Hz
Haut-parleur	
Haut-parleur principal	101.6mm 8ohm 10W
Haut-parleur tweeter	36mm 8ohm 10W

Bluetooth (Le mot, la marque et le logo Bluetooth® sont des marques déposées de Bluetooth SIG, Inc.)	
Version Bluetooth	4.0
Profil Bluetooth	A2DP SCMS-T AVRCP
Puissance de Transmission	Puissance de Classe 2
Porté de transmission	10m max. (varie selon les conditions d'utilisation)
Codec pris en charge	SBC
Profil Bluetooth Compatible	A2DP
Puissance des radio fréquences max.	BT EDR : 3.68dBm BT LE : 3.12dBm
Fréquence de fonctionnement	2402MHz~2480MHz

Prise de lecture USB	
Normes USB	USB 3.0 / USB 2.0
Système de fichier compatible	FAT 32/16/12
Format audio prise en charge	MP3 / WMA / AAC
Intensité max.	500 mA (Max)

Général	
Adaptateur secteur	DC in 12V 1,5 A, broche centrale positive
Batterie	Batterie coulissante : 10,8 V-12 Vmax 14,4 V 18 V
Dimensions (L x H x P)	211 mm × 206 mm × 199 mm
Poids	2,7 kg (sans batterie)

La société se réserve le droit de modifier les spécifications sans préavis.

Símbolos

Lo siguiente muestra los símbolos usados por el equipo. Asegúrese de que entienda su significado, antes de usar el equipo.



Lea el manual de instrucciones.

INSTRUCCIONES IMPORTANTES DE SEGURIDAD

⚠ ADVERTENCIA:

Cuando utilice herramientas eléctricas, para reducir el riesgo de incendio, descarga eléctrica y lesiones personales, siga siempre las precauciones básicas de seguridad, incluyendo lo siguiente:

1. Lea el manual de instrucciones y el manual de instrucciones del cargador detenidamente antes de usarlos.
2. Limpie el equipo solo con un paño seco.
3. No instale cerca de fuentes de calor, como radiadores, estufas, fuegos de cocina u otros aparatos (incluyendo amplificadores) que produzcan calor.
4. Utilice únicamente accesorios especificados por el fabricante.
5. Desenchufe este aparato durante las tormentas o cuando no vaya a usarlo por un periodo prolongado.
6. Un altavoz que funcione por medio de baterías bien integradas o bien independientes, solo debe cargarse con el cargador específico para la batería. Un cargador adecuado para un tipo de batería, puede crear riesgo de incendio cuando se usa con otra batería.
7. Use un altavoz que funcione por medio de baterías solo con baterías específicamente diseñadas. El uso de otras baterías podría crear riesgo de incendio.
8. Cuando la batería no esté en uso, manténgala alejada de otros objetos metálicos como: clips, monedas, llaves, clavos, tornillos u otros objetos metálicos pequeños que pudieran crear conexiones de un terminal a otro. El contacto entre sí de los terminales de las baterías puede provocar chispas, quemaduras o fuego.
9. Evite contacto corporal con superficies conectadas a tierra como tuberías, radiadores, estufas y refrigeradores. Hay un incremento del riesgo de descarga eléctrica si su cuerpo está conectado a tierra.
10. En condiciones abusivas, puede que de la batería se expulse líquido, evite el contacto. Si de forma accidental entra en contacto con el líquido, enjuague con agua. Si el líquido entrase en contacto con los ojos, busque ayuda médica. El líquido expulsado de la batería puede causar irritación o quemaduras.
11. No use una batería o una herramienta dañada o modificada. Las baterías dañadas o modificadas puede presentar un comportamiento impredecible causando incendios, explosiones y riesgos de lesiones.
12. No exponga la batería o herramienta al fuego o a temperaturas excesivas. La exposición al fuego o a temperaturas mayores que 130 °C podrían causar una explosión.

13. Siga todas las instrucciones de carga y no cargue la batería o la herramienta fuera del rango de temperatura especificado en las instrucciones. Cargar incorrectamente o a temperaturas fuera del rango especificado podrían dañar la batería e incrementar el riesgo de fuego.
14. El enchufe principal de la red eléctrica se utiliza como dispositivo de desconexión, y debe estar siempre disponible.
15. No use este producto a volumen alto durante un periodo prolongado. Para evitar daños auditivos, use este producto a un nivel de volumen moderado.
16. (Solo para productos con pantalla LCD) Las pantallas LCD incluyen líquidos que pueden causar irritación y envenenamiento. Si el líquido entrase en contacto con los ojos, boca o piel, enjuague con agua y llame a un médico.
17. No exponga el producto a condiciones de lluvia o humedad. El agua que entre al producto incrementará el riesgo de descarga eléctrica.
18. Este aparato no es apto para su uso por personas (niños incluidos) con las capacidades físicas, sensoriales o mentales disminuidas, o por personas que carezcan de experiencia y conocimiento, a no ser que alguien que sea responsable de su seguridad, les esté supervisando o les explique cómo deben usar el aparato. Los niños deben ser supervisados para asegurarse de que no jueguen con el producto. Guarde el producto lejos del alcance de los niños.

GUARDE ESTAS INSTRUCCIONES**REGLAS ESPECÍFICAS DE SEGURIDAD****PARA EL CARTUCHO DE BATERÍA**

1. Antes de utilizar el cartucho de batería, lea todas las instrucciones y advertencias en (1) el cargador de la batería, (2) la baterías, (3) el producto que usa la batería.
2. No desmonte el cartucho de batería.
3. Si el tiempo de funcionamiento se ha vuelto excesivamente corto, pare inmediatamente. Puede haber riesgo de sobrecalentamiento, posibles quemaduras o incluso una explosión.
4. Si el electrolito entra en contacto con los ojos, lávelos con agua limpia y busque atención médica de inmediato. Podría dar como resultado la pérdida de visión.
5. No haga un cortocircuito con el cartucho de batería.
 - (1) No toque los terminales con un material conductor.
 - (2) Evite almacenar el cartucho de batería en recipientes con otros objetos metálicos como clavos, monedas, etc.
 - (3) No exponga la batería al agua o lluvia. Un cortocircuito en la batería puede producir un gran flujo, sobrecalentamiento, posibles quemaduras e incluso una avería.
6. No guarde la herramienta ni el cartucho de batería en lugares donde la temperatura pueda llegar a o superar los 50 °C (122 °F).
7. No incinere el cartucho de batería incluso si está muy dañado o completamente desgastado. El cartucho de batería podría explotar en el fuego.

8. Tenga cuidado de no dejar caer o golpear la batería.
 9. No use una batería dañada.
 10. Para evitar riesgos, lea antes de su uso el manual de la batería reemplazable. Y la corriente máxima de descarga de la batería debe ser igual o mayor a 8 A..
 11. Las baterías de iones de litio están sujetas a los requisitos de la Legislación de mercancías peligrosas. Para su transporte comercial, como por ejemplo por terceros o transportistas, deben respetarse los requisitos especiales del embalaje y etiquetado. Para la preparación del artículo para su envío, se requiere consultar a un experto en materiales peligrosos. Acate también las, posiblemente más detalladas, regulaciones nacionales. Cubra los contactos abiertos y empaquete la batería de tal manera que no se pueda mover en el embalaje.
 12. Siga las regulaciones locales en lo relacionado a la eliminación de baterías.
 13. Use las baterías solo con los productos especificados por Makita. La instalación de las baterías con productos no conformes podría resultar en un incendio, calor excesivo, explosión o fuga de electrolitos.
- ⚠ PRECAUCIÓN:**
- Peligro de explosión si la batería se coloca incorrectamente.
 - Reemplace solo con una del mismo tipo o uno equivalente.
 - Use solo baterías originales Makita. El uso de baterías Makita no originales o de baterías que hayan sido alteradas podría provocar la explosión de la batería causando incendios, lesiones personales y daños. También anulará la garantía de Makita para la herramienta de Makita y el cargador.

Consejos para mantener al máximo la vida útil de la batería

1. Cargue el cartucho de batería antes de que se descargue completamente. Deje de usar la herramienta y cargue la batería cuando note que la batería tiene menos potencia.
2. Nunca cargue un cartucho de batería que esté totalmente cargado. La sobrecarga reduce la vida útil de la batería.
3. Cargue el cartucho de batería con una temperatura ambiente de entre 10 y 40 grados centígrados (50 °F-104 °F). Antes de cargarla, deje que una batería que esté caliente se enfríe.
4. Cargue el cartucho de batería si no lo usa durante un largo periodo de tiempo (más de seis meses).



Precauciones para el usuario

Los cambios o modificaciones que no hayan sido expresamente autorizados por la entidad responsable por el cumplimiento de las regulaciones podrían anular la autoridad del usuario de utilizar este equipo.

Declaraciones sobre la exposición de radiofrecuencia (RF)

NOTA IMPORTANTE: Para cumplir con los requisitos de exposición humana a los campos de radiofrecuencia (RF) de la FCC, la o las antenas usadas para este transmisor deben instalarse a una distancia mínima de 20 centímetros de cualquier persona y no deben ser colocadas ni funcionar junto a otras antenas o transmisores. No se permite ningún cambio en la antena o dispositivo. Cualquier cambio en la antena o dispositivo podría resultar en el dispositivo excediendo los requisitos de exposición humana a los campos de radiofrecuencia y anular la autoridad del usuario para operar el dispositivo.

NOTA: Este equipo ha sido probado y cumple con los límites correspondientes a un equipo digital de Clase B, según lo señalado en la Parte 15 de las Normas FCC (la Comisión Federal de Comunicaciones de EE. UU.). Estos límites están diseñados para proporcionar protección razonable contra interferencias perjudiciales en una instalación residencial. Este equipo genera, utiliza y puede emitir energía de frecuencias de radio y, si no es instalado y usado de acuerdo a las instrucciones, puede causar interferencias perjudiciales en las comunicaciones de radio. Sin embargo, no hay garantía de que no ocurrirán las interferencias en una instalación determinada. Si este equipo causa interferencias perjudiciales en la recepción de radio o televisión, que se pueden identificar encendiendo y apagando el equipo, recomendamos al usuario que intente solucionar las interferencias tomando una o más de las siguientes medidas:

- Cambiar la orientación o posición de la antena receptora.
- Aumentar la separación entre el equipo y el receptor.
- Conectar el equipo a una toma de un circuito diferente del conectado con el receptor.
- Consultar al proveedor o a un técnico de radio/TV con experiencia para recibir ayuda.

Para Canadá:

Precauciones para el usuario

Los cambios o modificaciones que no hayan sido expresamente autorizados por la entidad responsable por el cumplimiento de las regulaciones podrían anular la autoridad del usuario de utilizar este equipo. Declaraciones sobre la exposición de utilizar este equipo.

Declaraciones sobre la exposición de radiofrecuencia (RF)

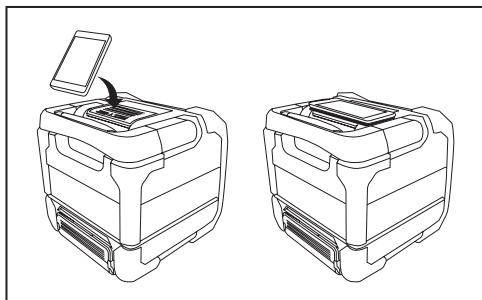
Para cumplir con los requisitos de exposición humana a los campos de radiofrecuencia (RF) de la IC, la o las antenas usadas para este transmisor deben instalarse a una distancia mínima de 20 centímetros de cualquier persona y no deben ser colocadas ni funcionar junto a otras antenas o transmisores. No se permite ningún cambio en la antena o dispositivo. Cualquier cambio en la antena o dispositivo podría resultar en el dispositivo excediendo los requisitos de exposición humana a los campos de radiofrecuencia y anular la autoridad del usuario para operar el dispositivo.

Este dispositivo cumple con el/los estándar(es) RSS para estar exento de licencia para la industria canadiense.

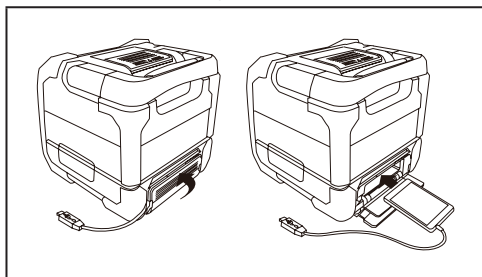
La operación queda sujeta a las siguientes dos condiciones: (1) este dispositivo no deberá causar interferencia y (2) este dispositivo debe aceptar cualquier interferencia recibida, incluyendo la que pueda originar un desempeño indeseable del dispositivo.

Explicación de la vista general (Fig. 1)

1. Compartimento de la batería
2. Panel para colocar el teléfono móvil (celular)



3. Botón de vinculación Bluetooth
4. Botón de bajar volumen
5. Botón de subir volumen
6. Botón de carpeta siguiente
7. Botón de pista siguiente/avance rápido
8. Indicador de volumen máximo o mínimo o de batería baja
9. Indicador de Bluetooth/Entrada auxiliar/USB
10. Botón de pista anterior/rebobinar
11. Botón de carpeta anterior
12. Botón de encendido
13. Botón de fuente
14. Botón de reproducir/pausar
15. Altavoz
16. Asa
17. Toma de entrada de CC
18. Toma de Entrada auxiliar
19. Toma de carga USB
20. Cubierta del compartimiento para guardar el teléfono móvil
21. Agujero para el cable
22. Compartimiento para guardar el teléfono móvil



23. Terminal de la batería 14,4 V/18 V
24. Terminal de la batería 10,8 V-12 V máx.
25. Toma de reproducción USB
26. Cubierta de la batería
27. Batería
28. Botón

Alimentación

El altavoz puede funcionar por medio de baterías Makita o por medio de una toma de corriente estándar.

Alimentación por batería

La siguiente tabla indica el tiempo de uso con una sola carga.

Capacidad de la batería	Voltaje de la batería			CON LA SALIDA DEL ALTAVOZ = 100 mW Unidad: hora (aproximadamente)			
	10,8 V-12 V máx.	14,4 V	18V	Reproducción USB	Bluetooth	Entrada auxiliar	Reproducción USB y carga USB (2,1 A)
1.3Ah		BL1415*		4.5	5.5	5.5	1.0
			BL1815*	5.0	6.0	6.0	1.2
1.5Ah	BL1016			6.0	9.0	9.0	0.9
		BL1415N*		5.5	7.0	7.0	1.3
			BL1815N	6.0	7.5	7.5	1.4
2.0Ah	BL1021B			8.0	12	12	1.1
			BL1820* BL1820B	8.5	10	10	1.9
3.0Ah		BL1430* BL1430B		9.5	12	12	2.2
			BL1830 BL1830B	11	14	14	2.7
4.0Ah	BL1041B			16	24	24	2.2
		BL1440*		15	19	19	3.5
			BL1840* BL1840B	16	20	20	3.5
5.0Ah		BL1450*		18	23	23	4.0
			BL1850* BL1850B	21	26	26	4.5
6.0Ah		BL1460B*		20	25	25	4.5
			BL1860B	25	32	32	5.5

* específico del país

⚠ ADVERTENCIA: Solo use las baterías indicadas anteriormente. El uso de cualquier otra batería podría causar lesiones o fuego.

Nota: La tabla sobre el tiempo de funcionamiento de la batería es para referencia. El tiempo de funcionamiento real puede diferir según el tipo de batería, condiciones de carga o entorno de uso.

Instalación o retirada del cartucho de batería (fig. 3 y 4)

- Para instalar el cartucho de batería, alinee la lengüeta en el cartucho de batería con la ranura en la carcasa y deslícela a su lugar. Siempre insértela hasta que encaje en su sitio con un pequeño clic.
- Si puede ver el indicador rojo en la parte superior del botón, no está ajustada completamente. Instálela completamente hasta que el indicador rojo no se pueda ver. De lo contrario, podría caerse accidentalmente de la herramienta, lesionándole a usted o a alguien a su

alrededor.

- No use la fuerza al insertar el cartucho de batería. Si el cartucho no se desliza fácilmente es que no se está insertando correctamente.
- Para retirar el cartucho de batería, deslícelo de la herramienta mientras presiona el botón en la parte frontal del cartucho.

IMPORTANTE:

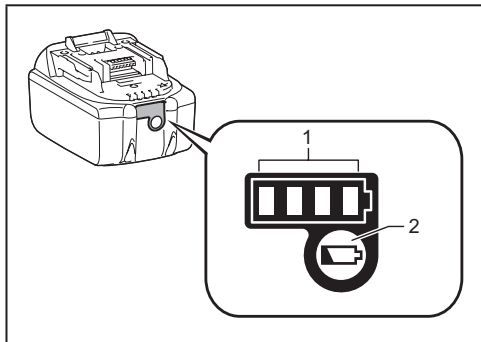
- Tenga cuidado de no pellizcarse los dedos al cerrar la cubierta de la batería.

Nota:

Cuando el altavoz tenga la batería baja, el LED derecho parpadeará en color rojo.

Indicaciones de la batería restante

Solo para cartuchos de batería que tengan una "B" al final del número de modelo



► 1. Luces indicadoras 2. Botón de comprobación
Presione el botón en el cartucho de batería para mostrar la batería restante. Las luces indicadoras se encenderán por unos segundos.

• Baterías 14,4 V/18 V

Luces indicadoras			Capacidad restante
Iluminado	Apagado	Parpadeando	
■	□	◻	75% ~ 100%
■	■	□	50% ~ 75%
■	■	□	25% ~ 50%
■	□	□	0% ~ 25%
◻	□	□	Cargue la batería
■	■	□	La batería puede haber funcionado mal
□	□	■	

• Baterías 10,8 V-12 V máx

Luces indicadoras			Capacidad restante
Iluminado	Apagado	Parpadeando	
■	□	◻	75% ~ 100%
■	■	□	50% ~ 75%
■	■	□	25% ~ 50%

■ □ □ □	0% ~ 25%
---------	----------

NOTA: Dependiendo de las condiciones de uso y de la temperatura ambiente, la indicación puede diferir ligeramente de la capacidad real.

Usando el adaptador de CA suministrado (Fig. 5)

Retire el protector de goma e inserte la clavija del adaptador en la toma de CC en la parte derecha del altavoz. Enchufe el adaptador a una toma de corriente estándar. Cuando el adaptador se usa, la batería se desconecta automáticamente. Cuando no lo use, el adaptador de CA debe ser desconectado de la alimentación principal.

IMPORTANTE:

- El adaptador de corriente se emplea como medio de desconexión de la radio de la toma de alimentación. La toma de alimentación usada con la radio deberá permanecer accesible durante su uso. Para desconectar completamente la radio de la red de suministro, el adaptador deberá ser desenchufado.
- Use solo el adaptador de alimentación de CA suministrado con el producto o especificado por Makita.
- No sujete el cable de alimentación y enchufe con la boca. Hacerlo podría causar una descarga eléctrica.
- No toque el enchufe de corriente con las manos mojadas o grasosas.
- Si el cable está dañado, haga que su centro de servicio autorizado lo reemplace para evitar riesgos para la seguridad. No lo use antes de la reparación.
- Tras el uso, guarde siempre el adaptador de alimentación de CA fuera del alcance de los niños. Si los niños jugasen con el cable, podrían sufrir lesiones.

Toma de corriente USB

Esta toma puede usarse para cargar un teléfono móvil o cualquier otro dispositivo que use menos de 2.1 A de CC. Solo se cargará cuando el altavoz esté encendido.

Nota: Asegúrese de que la especificación de su dispositivo externo como un teléfono móvil, reproductor de mp3 o iPod es compatible con el altavoz. Lea el manual de instrucciones de su dispositivo externo antes de cargar.

IMPORTANTE:

- Antes de conectar el dispositivo USB al cargador, haga siempre una copia de seguridad de los datos del dispositivo USB. De lo contrario, su información podría perderse.
- El cargador puede que no suministre energía a algunos dispositivos USB.
- Cuando no lo use, o tras cargar, retire el cable USB y cierre la cubierta.
- No conecte la fuente de alimentación al puerto USB. De lo contrario puede haber riesgo de fuego. El puerto USB es solo para cargar dispositivos de bajo voltaje. Cuando no esté cargando el dispositivo de bajo voltaje, coloque siempre la cubierta en el puerto USB.


- No inserte un clavo, cable, etc. en el puerto de alimentación USB. De lo contrario, un cortocircuito podría causar humo y fuego.
- No conecte esta toma USB al puerto USB del PC, ya que es muy probable que esto pueda causar daños en las unidades.

Emparejamiento y conexión de un dispositivo al altavoz

Antes de poder enlazarse automáticamente para reproducir/transmitir música Bluetooth a través del altavoz, necesita vincular su dispositivo Bluetooth con el altavoz. La vinculación crea un "vínculo" para que dos dispositivos se reconozcan mutuamente.

Para tener una mejor calidad de sonido, recomendamos que ajuste el volumen en su dispositivo Bluetooth a más de dos tercios y a continuación, ajuste el volumen en el altavoz como necesite.

Emparejamiento y reproducción de su dispositivo Bluetooth por vez primera

1. Presione el botón de encendido  para encender el altavoz y el indicador de Bluetooth parpadeará en color azul. Cuando el indicador parpadea rápidamente en color azul indica que el altavoz es detectable.
2. Active el Bluetooth de su dispositivo según su manual del usuario para enlazar con el altavoz. Localice la lista de dispositivos Bluetooth y seleccione el que lleve por nombre 'DMR201'. Algunos dispositivos móviles (equipados con versiones de Bluetooth anteriores a la BT2.1), puede que sea necesario introducir las contraseñas "0000".
3. Una vez conectado, habrá un pitido y el indicador de Bluetooth permanecerá encendido en color azul. Seleccione y reproduzca cualquier música desde su dispositivo fuente. El control de volumen se puede ajustar desde su dispositivo fuente o directamente desde el altavoz.
4. Use los controles de su dispositivo con función de Bluetooth o los del altavoz para reproducir / dejar en pausa y navegar por las pistas.







Nota:

1. Si dos dispositivos Bluetooth, vinculándose por primera vez, buscan el altavoz, este se mostrará disponible para ambos dispositivos. Sin embargo, si un dispositivo se enlaza con esta unidad primero, entonces el otro dispositivo Bluetooth no lo encontrará en la lista.
2. Si su dispositivo Bluetooth se desconecta temporalmente de su altavoz, entonces, deberá reconectar su dispositivo al altavoz de forma manual.
3. Si "DMR201" aparece en la lista de su dispositivo Bluetooth, pero no puede conectarse a él, borre el elemento de la lista y vincule de nuevo el dispositivo con el altavoz, siguiendo los pasos descritos anteriormente.
4. El alcance efectivo de uso entre el sistema y el dispositivo emparejado es de aproximadamente 10 metros (30 pies). Cualquier obstáculo interpuesto entre el sistema y el dispositivo podrá reducir el alcance operativo.

5. La capacidad de la conectividad Bluetooth podría variar dependiendo del dispositivo Bluetooth que se haya conectado. Por favor, consulte las especificaciones Bluetooth de su dispositivo antes de conectarlo a su radio. Puede que no todas las funciones estuvieran disponibles en algunos dispositivos Bluetooth.

Reproducción de archivos de audio en el modo Bluetooth

Cuando haya conectado su altavoz con el dispositivo Bluetooth que haya elegido, ya podrá comenzar a reproducir su música usando los controles del dispositivo Bluetooth al que se haya conectado.

1. Una vez que la reproducción haya comenzado, ajuste el volumen al nivel deseado usando los botones de volumen   en su altavoz o en su dispositivo Bluetooth. Cuando presione el botón de subir o bajar volumen, el indicador de volumen parpadeará rápidamente en rojo de forma intermitente. Si el indicador de luz muestra una luz roja continua, esto indica que el volumen está al máximo o al mínimo.
2. Use los controles en su dispositivo para reproducir, pausar y navegar por las pistas. De forma alternativa, controle la reproducción usando los botones Reproducir/pausar , Pista siguiente , Pista anterior  en el altavoz..
3. Mantenga presionado el botón de Pista siguiente  o Pista anterior para avanzar rápidamente o rebobinar la pista actual. Suelte el botón cuando llegue al punto de la pista deseado.


Tenga en cuenta:

1. Que puede que no todos los reproductores o dispositivos respondan a todos los controles.
2. Algunos teléfonos móviles puede que se desconecten temporalmente de su altavoz al realizar o recibir llamadas. Algunos dispositivos puede que silencien temporalmente su transmisión de audio por Bluetooth cuando reciben mensajes de texto, correos electrónicos o por otros motivos ajenos a la transmisión de audio. Ese comportamiento es una función del dispositivo conectado y no indica un fallo en su altavoz.

Memoria del altavoz y reconexión de un dispositivo

DMR201 puede memorizar hasta 8 dispositivos emparejados. Cuando la memoria exceda esta cantidad, el primero de los dispositivos emparejados será sobrescrito. Si su dispositivo Bluetooth hubiera sido emparejado con el altavoz anteriormente, la unidad memorizará su dispositivo Bluetooth e intentará reconectarse con el dispositivo de la memoria con el que se conectó por última vez. Si el último dispositivo con el que se conectó no estuviera disponible, el altavoz será reconocible.

Desconexión de su dispositivo Bluetooth

Mantenga pulsado el botón de Bluetooth  2-3 segundos para desconectarse de su dispositivo Bluetooth. El indicador Bluetooth parpadeará en azul indicando que el altavoz es reconocible de nuevo para el emparejamiento.

Reproducción de música por medio de la toma de entrada auxiliar

Para permitir que la unidad reciba una señal de audio de cualquier dispositivo que cuente con auriculares o salida de audio como un iPod, MP3 o reproductor de CD, el lateral derecho de la unidad está provisto con una toma de entrada auxiliar de 3,5 mm.

1. Conecte una fuente de audio estéreo o mono (por ejemplo, un iPod, MP3 o reproductor de CD) a la toma de audio auxiliar (marcada como "AUX") y el indicador de entrada de audio se volverá verde, indicando que el altavoz está en modo de entrada auxiliar.
2. Ajuste el volumen de su iPod, reproductor de MP3 o CD para garantizar una buena señal y después ajuste el volumen del altavoz a su gusto.
3. Para tener una mejor calidad de sonido, recomendamos que ajuste el volumen en su dispositivo de audio a más de dos tercios y a continuación, ajuste el volumen en el altavoz como necesite.

Nota:

Cuando en la toma de entrada auxiliar se conecta un dispositivo de audio, el altavoz cambiará del modo Bluetooth al modo de entrada auxiliar. También puede presionar el botón de fuente para seleccionar el modo deseado.

Uso de dispositivos de memoria USB


Importante:

1. El altavoz está diseñado para funcionar únicamente con dispositivos de memoria flash USB. No está pensado para que se conecte a unidades de discos duros o cualquier otro tipo de dispositivo USB.
2. Es posible usar tarjetas SD o SDHC para la reproducción de contenido multimedia cuando se encuentran en un adaptador USB adecuado. Sin embargo, debido a la amplia variación de dichos adaptadores, no es posible garantizar que todas las combinaciones de adaptador/tarjeta funcionarán con el altavoz.
3. El altavoz ha sido probado con una amplia gama de dispositivos de memoria de hasta 32 GB de capacidad. Soporta USB 2.0 a velocidad máxima y USB 3.0. (Nota: Al usar USB 3.0, permita que el altavoz detecte el dispositivo durante un periodo mayor de tiempo).
4. La memoria USB debe usar el sistema de archivos FAT o FAT32 para poder funcionar con el altavoz, no es compatible con NTFS.
5. Los formatos de audio compactibles para la reproducción son: MP3, WMA y AAC. La reproducción no admite archivos codificados usando WMA sin pérdida, WMA Voice, WMA 10 profesional, ni archivos en cualquier formato que tengan protección DRM.

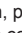

⚠ Precauciones:

1. Para minimizar el riesgo de daño de su altavoz y memoria USB, coloque el altavoz de forma que el dispositivo no pueda ser golpeado fácilmente mientras está insertado en la toma.
2. Retire el USB antes de llevarse el altavoz o si no usa la función USB durante un periodo largo de tiempo.
3. Antes de retirar el dispositivo de memoria USB, apague el altavoz.
4. La conexión USB está pensada para ser usada solo por dispositivos de memoria flash. El uso de almacenamiento de contenido multimedia en discos duros no es compatible.
5. La reproducción a través de archivos USB guardados en reproductores de MP3 no está garantizada.
6. Los archivos o memorias USB grandes necesitan más tiempo para ser leídos.

Reproducir archivos desde dispositivos de memoria USB

1. Abra la cubierta de la batería e inserte el dispositivo de memoria USB en la ranura USB ubicada en el compartimiento de la batería. Cierre la cubierta de la batería.
2. Presione el botón de encendido  para encender el altavoz y el indicador de USB se encenderá en color ámbar indicando que el altavoz está en modo USB. El altavoz comenzará la reproducción desde el dispositivo de memoria USB.




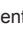
Nota: Una vez que se conecta la memoria USB, el altavoz entrará automáticamente al modo USB. También puede presionar el botón de fuente para seleccionar el modo deseado si fuera necesario.

3. Para pausar la reproducción, presione el botón de reproducir/pausar . Para continuar la reproducción, presione de nuevo el botón de reproducir/pausar .



Nota:

- a) Si apaga el altavoz, la próxima vez que el altavoz se encienda, continuará la última pista reproducida.
- b) Si durante la reproducción desde un dispositivo de memoria USB cambia a otro modo, la reproducción se pausará. Cuando cambie de nuevo al modo USB, la reproducción continuará desde el punto en el que fue pausada.
- c) Se recomienda almacenar en su dispositivo de memoria USB solo archivos de música (MP3/WMA/AAC). Si hubiese una carpeta con otros archivos además de los archivos de música, el altavoz omitirá este archivo/carpeta.

Seleccionar un archivo

1. Durante la reproducción del dispositivo de memoria USB, presione el botón de pista siguiente  o pista anterior  para cambiar al archivo deseado. Si hay más de una carpeta y todos los archivos de la carpeta actual han sido reproducidos, se reproducirá la siguiente carpeta.
2. Mantenga presionado el botón de pista siguiente  o de pista anterior  para avanzar rápidamente/ rebobinar la pista actual. Suelte el botón cuando haya llegado al punto deseado de la pista.

Para saltar a otra carpeta

Cuando el dispositivo de memoria USB está en modo pausa o reproducción, presione y suelte el botón de carpeta siguiente  o carpeta anterior . Se reproducirá el primer archivo de la carpeta siguiente o anterior.

Nota:

Si el USB contiene una carpeta sin archivos, el dispositivo omitirá la carpeta y reproducirá los archivos en la siguiente carpeta.

MANTENIMIENTO

⚠ PRECAUCIÓN:

- Nunca use gasolina, bencina, diluyentes, alcohol o similares. Podría dar como resultado decoloración, deformaciones o roturas.

Especificaciones

Amplificador	
Potencia de salida	10,8 V-12 V máx.: 3 W 14.4V:6W 18V:10W
Frecuencia de respuesta	50Hz~20kHz
Entrada auxiliar	
Sensibilidad de entrada	250mVrms @100Hz
Altavoz	
Altavoz principal	101.6mm 8ohm 10W
Tweeter	36mm 8ohm 10W

Bluetooth (La marca de la palabra Bluetooth® y sus logotipos son marcas comerciales registradas bajo propiedad de Bluetooth SIG, Inc.)	
Versión Bluetooth	4.0
Perfil Bluetooth	A2DP SCMS-T AVRCP
Potencia de transmisión	Potencia de clase 2
Alcance de transmisión	Máximo 10 m (varía en función de las condiciones de uso)
Codec compatible	SBC
Perfil Bluetooth compatible	A2DP
Máxima potencia de radiofrecuencia	BT EDR: 3.68dBm BT LE: 3.12dBm
Frecuencia de operación	2402MHz~2480MHz

Toma de reproducción USB	
Estándares USB	USB 3.0 / USB 2.0
Sistema de archivos compatible	FAT32/16/12
Formatos de audio reproducibles	MP3 / WMA / AAC
Corriente máxima	500 mA (Máx.)

General	
Adaptador de alimentación de CA	Entrada CC 12 V 1,5 A, pin central positivo
Batería	Batería deslizante: 10,8 V-12 V máx. 14,4 V 18 V
Dimensiones (ancho x alto x largo)	211 mm × 206 mm × 199 mm
Peso	2,7 kg (sin la batería)

La compañía se reserva el derecho para modificar las especificaciones sin previo aviso.

Símbolos

O seguinte mostra os símbolos usados para o equipamento. Certifique-se que compreende o seu significado antes de usar.



Leia o manual de instruções

SEGURANÇA IMPORTANTE INSTRUÇÕES

⚠️ ADVERTÊNCIA:

Quando utiliza ferramentas elétricas, deve seguir sempre as precauções de segurança básicas para reduzir o risco de incêndio, choque elétrico e danos pessoais, incluindo o seguinte:

1. Leia cuidadosamente o manual de instruções e o manual de instruções do carregador antes de usar.
2. Limpe apenas com um pano seco.
3. Não instale o aparelho junto de fontes de calor como radiadores, registos de calor, fogões ou outros aparelhos (incluindo amplificadores) que produzam calor.
4. Utilize apenas as ligações/acessórios especificados pelo fabricante.
5. Desligue este aparelho quando houver trovoada ou quando não seja usado por um longo período de tempo.
6. Um altifalante que funciona a bateria com baterias integrais ou um conjunto de baterias separado só pode ser recarregado com o carregador especificado para a bateria. Um carregador adequado para um tipo de bateria pode criar um risco de incêndio quando usado com outra bateria.
7. Utilize o altifalante operado por bateria apenas com os conjuntos de baterias especificamente designados. O uso de quaisquer outras baterias pode criar um risco de incêndio.
8. Quando o conjunto da bateria não se encontra a uso, mantenha-o afastado de outros objetos de metal como: clips de papel, moedas, chaves, pregos, parafusos, ou outros objectos pequenos de metal que possam fazer a ligação entre dois terminais. Colocar em curto-circuito os terminais da bateria pode causar faíscas, queimaduras ou um incêndio.
9. Evitar contacto do corpo com superfícies ligadas à terra como tubos, radiadores, fogões e frigoríficos. Há um risco acrescido de choque elétrico se o corpo estiver ligado à terra.
10. Em condições de mau uso, poderá ser ejetado líquido da bateria, evite o contacto. Se ocorrer um contacto accidental, lave abundantemente com água. Se o líquido entrar em contacto com os olhos, procure também ajuda médica. O líquido ejetado da bateria pode causar irritação ou queimaduras.
11. Não utilize uma bateria ou ferramenta danificada ou modificada. Baterias danificadas ou modificadas podem exibir comportamentos imprevisíveis que resultam em incêndio, explosão ou risco de ferimentos.
12. Não exponha uma bateria ou ferramenta ao fogo ou temperatura excessiva. A exposição ao fogo ou a temperatura acima de 130°C pode provocar uma explosão.
13. Siga todas as instruções de carregamento e não

carregue a bateria ou a ferramenta fora do intervalo de temperatura especificado nas instruções. Carregar incorretamente ou em temperaturas fora do intervalo especificado pode danificar a bateria e aumentar o risco de incêndio.

14. A ficha do CABO PRINCIPAL é usada para desligar o aparelho e permanecerá pronta a operar.
15. Não utilize o produto com o volume alto em nenhuma circunstância. Para evitar danos auditivos, utilize o produto com um nível de volume moderado.
16. (Apenas para produtos com visor LCD) Os visores LCD incluem líquidos que podem causar irritação e envenenamento. Se o líquido entrar nos olhos, na boca ou na pele, enxaguar com água e chamar um médico.
17. Não exponha o produto à chuva ou em condições húmidas. A entrada de água no produto aumentará o risco de choque elétrico.
18. Este produto não está destinado a ser utilizado por pessoas (incluindo crianças) com capacidades físicas, sensoriais ou mentais reduzidas, ou falta de experiência e conhecimento, a menos que tenham sido supervisionadas ou instruídas sobre o uso do produto por uma pessoa responsável pela sua segurança. As crianças devem ser supervisionadas para garantir que elas não brincam com o produto. Armazene o produto fora do alcance das crianças.

GUARDE ESTAS INSTRUÇÕES

NORMAS DE SEGURANÇA ESPECÍFICAS

PARA O CARTUCHO DA BATERIA

1. Antes de usar o cartucho da bateria, leia todas as instruções e marcas de advertência no (1) carregador da bateria, (2) bateria e (3) produto que usa a bateria.
2. Não desmonte o cartucho da bateria.
3. Se o período de funcionamento se tornar excessivamente curto, pare imediatamente o funcionamento. Pode provocar um risco de sobreaquecimento, possíveis queimaduras ou mesmo explosão.
4. Se o eletrólito entrar para os olhos, lave-os com água limpa e procure um médico imediatamente. Pode originar perda de visão.
5. Não faça curto circuito com a bateria:
 - (1) Não toque nos terminais com qualquer material condutor.
 - (2) Evite guardar o cartucho da bateria num recipiente com outros objetos de metal como pregos, moedas, etc.
 - (3) Não exponha o cartucho de bateria à água ou à chuva. Um curto circuito na bateria pode causar um grande fluxo de corrente, sobreaquecimento, possíveis queimaduras e mesmo avaria.
6. Não guarde a ferramenta e o cartucho da bateria em locais em que a temperatura possa chegar ou ultrapassar os 50 °C (122°F)
7. Não incinere o cartucho da bateria mesmo que se encontre muito danificado ou esteja completamente gasto. O cartucho da bateria pode explodir num incêndio.

8. Tenha cuidado para não deixar cair a bateria ou bater com a bateria.
9. Não use uma bateria danificada.
10. Para evitar riscos, o manual de substituição da bateria deve ser lido antes de usar. E a corrente de descarga máxima da bateria deve ser maior ou igual a 8A.
11. As baterias que contêm íons de lítio estão sujeitas aos requisitos da Legislação de Mercadorias Perigosas. Para transportes Comerciais, por exemplo, por terceiros, agentes de encaminhamento, requisitos especiais de embalagem e rotulagem devem ser observados.
Para a preparação do item que está a ser enviado, é necessário consultar um especialista em materiais perigosos. Observe também as regulamentações nacionais mais detalhadamente.
Fita ou cubrir os contatos abertos e arrumar a bateria de tal maneira que não pode se mover na embalagem.
12. Siga as regulamentações locais relativas à eliminação da bateria.
13. Use as baterias apenas com os produtos especificados pela Makita. A instalação das baterias em produtos não conformes pode resultar em incêndio, superaquecimento, explosão ou vazamento de eletrólito.

⚠ CUIDADO:

- Perigo de explosão se a bateria for substituída incorretamente.
- Substitua apenas pelo mesmo tipo ou equivalente.
- utilize apenas baterias Makita genuínas. O uso de baterias Makita não genuínas, ou baterias que tenham sido alteradas, pode resultar na explosão da bateria causando incêndios, danos pessoais e materiais. Também anulará a garantia da Makita para a ferramenta Makita e o carregador.

Conselhos para a manutenção prolongada da bateria

1. Carregue o cartucho da bateria antes de estar completamente descarregado. Pare sempre o funcionamento da ferramenta e carregue o cartucho da bateria quando notar uma menor potência da ferramenta.
2. Nunca recarregue um cartucho de bateria completamente carregado. O sobrecarregamento diminui a duração da bateria.
3. Carregue o cartucho da bateria à temperatura ambiente entre 10 °C e 40 °C (50 °F e 104 °F). Deixe que o cartucho da bateria quente arrefeça antes de o carregar.
4. Carregue o cartucho da bateria se não o usar por um longo período de tempo (mais de seis meses).



Cuidados para o utilizador

As alterações ou modificações não expressamente aprovadas pelo responsável pela conformidade podem anular a autoridade do utilizador de operar o equipamento.

Declarações de exposição RF

NOTA IMPORTANTE: Para cumprir os requisitos de conformidade da exposição RF da FCC, a(s) antena(s) utilizada(s) para este transmissor devem ser instaladas de modo a fornecer uma distância de separação de pelo menos 20 cm de todas as pessoas e não devem ser localizadas ou operadas em conjunto com qualquer outra antena ou transmissor. Nenhuma alteração na antena ou no dispositivo é permitida. Qualquer alteração na antena ou no dispositivo pode resultar que o dispositivo exceda os requisitos de exposição RF e anular a autoridade do utilizador de operar o dispositivo.

Nota: Este equipamento foi testado e está em conformidade com os limites para um dispositivo digital Classe B, de acordo com a parte 15 das Regras da FCC. Estes limites são projetados para fornecer uma proteção razoável contra as interferências prejudiciais numa instalação residencial. Este equipamento gera, usa e pode irradiar energia de radiofrequência e, se não for instalado e usado de acordo com as instruções, pode causar interferência que é prejudicial às comunicações de rádio. No entanto, não há garantia de que a interferência não ocorrerá numa instalação específica. Se este equipamento causar interferência prejudicial à recepção de rádio ou televisão, o que pode ser determinado desligando e ligando o equipamento, o utilizador é encorajado a tentar corrigir a interferência com uma ou mais das seguintes medidas:

- Reorientar ou reposicione a antena rectora.
- Aumente a separação entre o equipamento e o receptor.
- Conecte o equipamento a uma tomada num circuito diferente daquele ao qual o recetor está conectado.
- Consulte o revendedor ou um técnico de rádio / TV experiente para obter ajuda.

Para o Canadá:

Cuidados do Usuário

Mudanças e modificações que não tenham sido expressamente aprovadas pelas partes responsáveis pela conformidade poderão anular a autoridade do usuário de operar o equipamento.

Declarações sobre Exposição à Radiofrequência

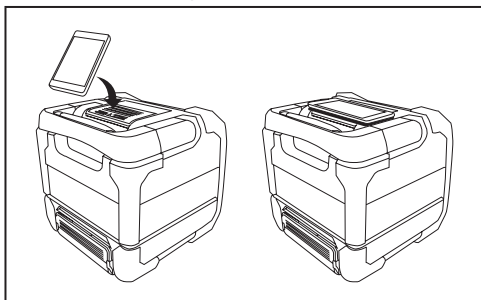
Para estar em conformidade com os requisitos de exposição à radiofrequência da IC, a(s) antena(s) utilizada(s) por esse transmissor deverá(ão) ser instalada(s) a uma distância mínima de 20 cm de todas as pessoas e não deverá(ão) ser colocada(s) ou utilizada(s) em conjunto com quaisquer outras antenas ou transmissores. Mudanças na antena ou no aparelho não são permitidas. Quaisquer mudanças na antena ou no aparelho farão com que o aparelho exceda os requisitos máximos de exposição à radiofrequência, e anularão a autoridade do usuário de operar o dispositivo.

Este dispositivo está em conformidade com a(s) norma(s) RSS de isenção de licença da Indústria do Canadá.

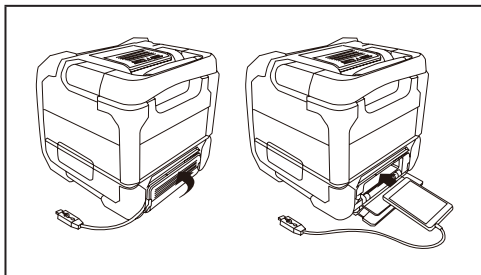
A operação está sujeita às duas condições a seguir: (1) este dispositivo não pode causar interferência e (2) este dispositivo deve aceitar qualquer interferência, inclusive interferência que pode causar operação indesejada do dispositivo.

Explicação do aspeto geral (Fig. 1)

1. Compartimento fechado da bateria
2. Painel para colocação do telemóvel



3. Emparelhamento Bluetooth
4. Diminuir o volume
5. Aumentar o volume
6. Pasta seguinte
7. Faixa seguinte / Avançar rápido
8. Indicador de volume máximo. ou min./ Indicador de bateria fraca
9. Indicador Bluetooth / Indicador AUX in / Indicador USB
10. Faixa anterior / Rebobinar
11. Pasta anterior
12. Ligar/Desligar
13. Modo
14. Reproduzir/Pausar
15. Altifalante
16. Pega
17. DC in
18. Entrada Auxiliar
19. Carregamento USB
20. Tampa do compartimento para o telemóvel
21. Orifício para cabo
22. Compartimento para o telemóvel



23. Terminal de bateria 14,4 V / 18V
24. Terminal da bateria 10.8 V-12Vmáx
25. Entrada USB
26. Tampa da bateria
27. Bateria
28. Fundo

Energia

O altifalante pode ser alimentado por conjuntos de baterias Makita ou através de uma tomada de parede normal.

Alimentação por bateria

A tabela seguinte indica o tempo de funcionamento com um único carregamento.

Capacidade da bateria	Voltagem da bateria			SAÍDA ALTIFALANTE = 100mW Unidade: Hora (Aproximadamente)			
	10.8V-12Vmáx	14.4V	18V	Reprodução USB	Bluetooth	Entrada AUX	Reprodução USB + Carregamento USB (2.1A)
1.3Ah		BL1415*		4.5	5.5	5.5	1.0
			BL1815*	5.0	6.0	6.0	1.2
1.5Ah	BL1016			6.0	9.0	9.0	0.9
		BL1415N*		5.5	7.0	7.0	1.3
			BL1815N	6.0	7.5	7.5	1.4
2.0Ah	BL1021B			8.0	12	12	1.1
			BL1820* BL1820B	8.5	10	10	1.9
3.0Ah		BL1430* BL1430B		9.5	12	12	2.2
			BL1830 BL1830B	11	14	14	2.7
4.0Ah	BL1041B			16	24	24	2.2
		BL1440*		15	19	19	3.5
			BL1840* BL1840B	16	20	20	3.5
5.0Ah		BL1450*		18	23	23	4.0
			BL1850* BL1850B	21	26	26	4.5
6.0Ah		BL1460B*		20	25	25	4.5
			BL1860B	25	32	32	5.5

* específica do país

⚠ AVISO: Utilize apenas as baterias listadas acima. O uso de qualquer outra bateria pode causar ferimentos e / ou incendiar.
Nota: A tabela relativa ao tempo de operação da bateria acima é para referência. O tempo de operação real pode diferir com o tipo de bateria, condição de carregamento ou ambiente de utilização.

Instalar ou remover o catucho deslizante da bateria (fig. 3 e 4)

- Para instalar o cartucho da bateria, alinhar a ponta do carucho da bateria com a ranhura do cartucho da bateria no compartimento e colocá-la no sítio. Insira sempre a totalidade para que fique no lugar e faça um clique
- Se conseguir ver o indicador vermelho no lado superior do botão, não está completamente bloqueado. Instale-o completamente até deixar de ver o indicador vermelho. Se não, pode cair acidentalmente da ferramenta, causando-lhe ferimentos ou a qualquer pessoa perto

de si.

- Não force quando inserir o cartucho da bateria. Se o cartucho não deslizar facilmente, não foi inserido corretamente.
- Para retirar o cartucho da bateria, faça-o deslizar da ferramenta ao mesmo tempo que pressiona o botão na parte da frente do cartucho.

IMPORTANTE:

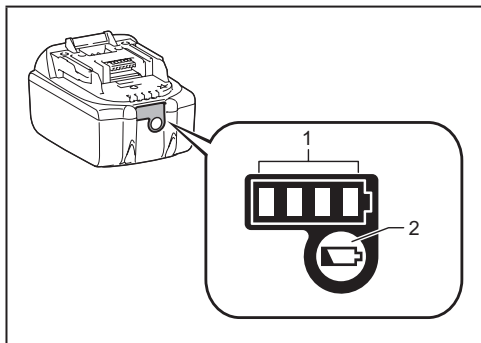
- Tenha cuidado para não trilhar os dedos ao fechar a tampa da bateria.

Nota:

Quando o altifalante estiver com pouca bateria, o LED direito irá piscar em vermelho.

Indicando a capacidade restante da bateria

Apenas os cartuchos de bateria com um "B" no final do número do modelo



► 1. Lâmpadas do indicador 2. Botão de verificação
Pressione o botão de verificação do cartucho da bateria para indicar a capacidade remanescente da bateria. As lâmpadas indicadoras acendem durante uns segundos.

Baterias de 14.4V/18V

Lâmpadas indicadoras			Capacidade restante
Aceso	Desligado	A Piscar	
■	■	■	75% ~ 100%
■	■	□	50% ~ 75%
■	■	□	25% ~ 50%
■	□	□	0% ~ 25%
◐	□	□	Carregue a bateria
■	□	□	A bateria pode estar avariada
□	□	■	

Baterias de 10.8V-12V máx

Lâmpadas indicadoras			Capacidade restante
Aceso	Desligado	A Piscar	
■	■	■	75% ~ 100%
■	■	□	50% ~ 75%

■ ■ □ □	25% ~ 50%
■ □ □ □	0% ~ 25%

NOTA: Dependendo das condições de utilização e da temperatura ambiente, a indicação pode diferir ligeiramente da capacidade efetiva

Usar o adaptador de corrente AC fornecido (Fig. 5)

Retire o protetor de borracha e insira a ficha do adaptador na tomada DC no lado direito do altifalante. Ligue o adaptador numa tomada normal. Sempre que é usado o adaptador, o conjunto da bateria é automaticamente desligado. O adaptador AC deve ser desligado da corrente quando não estiver a ser utilizado.

IMPORTANTE:

- O adaptador de corrente é usado como meio de ligação do altifalante à corrente. A tomada de corrente usada para o altifalante tem de estar acessível durante o uso normal. Para desligar completamente o altifalante da corrente, o adaptador de corrente deve ser retirado completamente da tomada de corrente.
- Utilizar o adaptador de alimentação CA fornecido com o produto ou especificado apenas pela Makita.
- Não segure o cabo de alimentação na boca. Pode causar choque elétrico.
- Não toque na ficha de alimentação com as mãos molhadas ou gordurosas.
- Se o cabo estiver danificado, substitua-o no nosso centro de assistência autorizado por questões de segurança. Não utilize antes de o reparar.
- Após a utilização, armazene sempre o adaptador de alimentação CA fora do alcance das crianças. Se as crianças brincarem com o cabo, podem sofrer lesões.

Tomada de abastecimento de energia USB

Esta entrada pode ser usada para carregar um telemóvel ou qualquer outro dispositivo que use corrente DC inferior a 2.1A. O carregamento só ocorre quando o altifalante está ligado.

Nota: Assegure-se que a especificação do seu dispositivo externo, telemóvel, mp3 player ou iPod, é compatível com o altifalante. Leia o manual de instruções do seu dispositivo externo antes de o carregar.

IMPORTANTE:

- Antes de ligar o dispositivo USB ao carregador, faça sempre uma cópia de segurança dos dados do dispositivo USB. Caso contrário poderá perder os seus dados.
- O carregador não carrega alguns dispositivos USB.
- Quando não estiver a uso ou depois de carregar, retire o cabo USB e feche a tampa.
- Não ligue uma fonte de energia a uma porta USB. Caso contrário pode haver risco de incêndio. A porta USB destina-se apenas a carregar dispositivos de voltagem mais baixa. Coloque sempre a tampa da porta USB


quando não estiver a carregar dispositivos de voltagem mais baixa.

- Não insira pregos, fios, etc. na porta de abastecimento de energia USB. Caso contrário poderá ocorrer um curto circuito causando fumo e incêndio.
- Não ligue esta tomada USB à porta USB do PC, pois há uma forte possibilidade de poder causar a avaria das unidades.

Emparelhamento e ligação de um dispositivo ao altifalante

Precisa emparelhar o seu dispositivo Bluetooth com o altifalante antes de poder se conectar automaticamente para reproduzir / transmitir música Bluetooth através do altifalante. O emparelhamento cria uma "ligação" para que os dois dispositivos possam se reconhecer. Para obter a melhor qualidade de som, recomendamos configurar o volume para mais de dois terços no seu dispositivo Bluetooth e, em seguida, ajuste o volume no altifalante conforme necessário.

Emparelhar e usar o seu dispositivo Bluetooth pela primeira vez

1. Pressione o botão Ligar/Desligar  para ligar o altifalante e o indicador Bluetooth irá piscar em azul. O indicador pisca azul rapidamente indicando que o altifalante é detetável.
2. Ative o Bluetooth no seu dispositivo de acordo com o manual do utilizador do dispositivo para fazer a ligação ao altifalante. Localize a lista de dispositivos Bluetooth e selecione o dispositivo designado 'DMR201.' Com alguns telemóveis (que estão equipados com versões anteriores ao dispositivo Bluetooth BT2.1), pode necessitar de introduzir a palavra-passe "0000".
3. Uma vez conectado, haverá um sinal sonoro e o indicador Bluetooth permanecerá em azul. Pode simplesmente selecionar e tocar qualquer música do seu dispositivo. O controlo de volume pode ser ajustado a partir do seu dispositivo, ou diretamente do altifalante.
4. Use os controlos do seu dispositivo com Bluetooth ou do altifalante para tocar/pausar e procurar faixas

Nota:






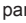

1. Se 2 dispositivos Bluetooth, forem emparelhados pela primeira vez, ambos procuram o seu altifalante, mostrando a sua disponibilidade em ambos os dispositivos. Porém, se um dispositivo se ligar a esta unidade primeiro, o outro dispositivo de Bluetooth não o encontrará na lista.
2. Se o dispositivo Bluetooth estiver temporariamente desligado do altifalante, então necessita de religar manualmente o seu dispositivo de novo ao altifalante.
3. Se aparecer "DMR201" na sua lista de dispositivos Bluetooth mas o seu dispositivo não puder ligar-se ao mesmo, apague o item da sua lista e emparelhe, de novo, o dispositivo com o altifalante seguindo os passos descritos previamente.
4. O raio de funcionamento real entre o sistema e o dispositivo emparelhado é de aproximadamente 10 metros (30 pés). Qualquer obstáculo entre o sistema e

o dispositivo pode reduzir o raio operacional.

5. O desempenho da conectividade do Bluetooth pode variar dependendo dos dispositivos Bluetooth ligados. Consulte as capacidades de Bluetooth do seu dispositivo antes de o ligar ao altifalante. Nem todas as funcionalidades são suportadas nalguns dispositivos Bluetooth emparelhados.

Tocar ficheiros áudio em Modo Bluetooth

Depois de ter ligado com sucesso o seu altifalante ao dispositivo Bluetooth escolhido pode começar a tocar a sua música usando os controlos do dispositivo Bluetooth ligado

1. Depois de começar a tocar ajuste o volume de acordo com o desejado, usando os botões de volume   do seu altifalante, ou os do dispositivo com capacidade Bluetooth. Quando pressiona o botão de Volume para cima/para baixo, o indicador de volume pisca rapidamente em vermelho. Se a luz do indicador ficar fixa em vermelho, indica que o volume está no volume máximo ou no volume mínimo.
2. Use os controlos do seu dispositivo para tocar/pausar e procurar faixas. Em alternativa, controle a reprodução usando os Botões Play/Pausa , Faixa Seguinte , Faixa anterior  no altifalante.
3. Prima e mantenha premido o botão de Faixa seguinte  ou  Faixa Anterior para avançar rapidamente /Rebobinar a faixa atual. Solte o botão quando chegar ao ponto desejado da faixa.


Nota:

1. Nem todas as aplicações do aparelho ou dispositivo respondem a estes controlos.
2. Alguns telemóveis podem ficar temporariamente desligados do altifalante quando faz ou recebe chamadas. Alguns dispositivos podem silenciar temporariamente o streaming áudio do Bluetooth quando recebem mensagens de texto, emails, ou por outras razões não relacionadas com o streaming áudio. Esse comportamento é uma função do dispositivo ligado e não indica uma avaria no seu altifalante.

Memória do altifalante e reconhecimento de um dispositivo

O seu altifalante pode memorizar até 8 conjuntos de dispositivos emparelhados, quando a memória excede este valor, o histórico do emparelhamento mais antigo será substituído. Se o seu dispositivo Bluetooth já tiver sido emparelhado anteriormente com o altifalante, a unidade memorizará o seu dispositivo Bluetooth e este tenta restabelecer a ligação com um dispositivo na memória que tenha sido ligado da última vez. Se o último dispositivo ligado não estiver disponível, o altifalante fica disponível.

Desligar o Dispositivo Bluetooth

Prima e mantenha premido o botão de emparelhamento Bluetooth  durante 2 a 3 segundos para o desligar do seu dispositivo Bluetooth. O indicador do Bluetooth pisca a azul indicando que o altifalante está de novo disponível para emparelhamento.

Tocar música através da tomada de entrada auxiliar

É fornecida uma tomada de entrada auxiliar de 3,5mm, do lado direito da unidade, para permitir a alimentação de um sinal áudio na unidade a partir de quaisquer dispositivos que tenham auscultadores ou saída de áudio, como um iPod, MP3 ou reproduzidor de CDs.

1. Ligue a uma fonte áudio estéreo ou mono (por exemplo, iPod, MP3 ou reproduzidor de CDs) à tomada de entrada Auxiliar (marcada 'AUX') e o indicador Aux in fica verde indicando que o altifalante está em modo de saída auxiliar.
2. Ajuste o controlo do Volume no seu iPod, MP3 ou reproduzidor de CDs para assegurar um sinal adequado e ajuste depois o volume no altifalante para obter um nível de som confortável.
3. Para obter a melhor qualidade de som, recomendamos configurar o volume para mais de dois terços no seu dispositivo de áudio e, em seguida, ajuste o volume no altifalante conforme necessário.

Nota:

Quando o Aux está conectado a um dispositivo de áudio, o altifalante irá trocar de Bluetooth para o modo de entrada auxiliar. Também pode pressionar o botão Modo para selecionar o modo desejado.

Utilizar dispositivos de memória USB


Importante:

1. O altifalante foi projetado apenas para trabalhar com dispositivos de memória flash USB. Não se destina a ser conectado a unidades de disco rígido ou a qualquer outro tipo de dispositivo USB.
2. É possível utilizar cartões SD ou SDHC para reprodução de mídia quando colocados num adaptador USB adequado. No entanto, devido à ampla variação de tais adaptadores, não é possível garantir que todas as combinações de adaptadores / cartões funcionem com o altifalante.
3. O altifalante foi testado com uma variedade de dispositivos de memória USB de até 32 GB de capacidade. Ele suporta a velocidade máxima USB 2.0 e o USB 3.0. (**Nota:** ao usar o USB 3.0, por favor, permitir que o altifalante detecte o dispositivo por um longo período de tempo).
4. A memória USB deve utilizar o sistema de arquivamento FAT ou FAT 32 para operar com o altifalante, não suporta NTFS.
5. Os formatos de áudio suportados para reprodução são MP3, WMA e AAC. A reprodução não suporta ficheiros codificados usando WMA sem perdas, WMA Voice, WMA 10 profissional, nem ficheiros de qualquer formato que tenham proteção DRM.



⚠ Cuidados:

1. Para minimizar o risco de danos ao seu altifalante e à memória USB, coloque o altifalante de modo que o dispositivo não possa ser facilmente derrubado enquanto ele é inserido na entrada.
2. USB antes de transportar o altifalante ou se não estiver a utilizar o recurso USB por um período prolongado.
3. Desligue o altifalante antes de remover o seu dispositivo de memória USB.
4. A conexão USB destina-se apenas a dispositivos de memória flash. O uso de armazenamento no disco rígido não é suportado.
5. A reprodução através de ficheiros USB armazenados em leitores MP3 não é garantido.
6. Arquivo de grande tamanho ou dispositivo USB de grande memória leva mais tempo para ler.

Reproduzir ficheiros a partir de dispositivos de memória USB

1. Abra a tampa da bateria e insira o dispositivo de memória USB na entrada USB que está localizado no compartimento da bateria. Feche a tampa da bateria
2. Pressione o botão Ligar/Desligar  para ligar o altifalante e o indicador USB fica amarelo, indicando que o altifalante está no modo USB. O altifalante começará a tocar a partir do dispositivo de memória USB.





Nota: Uma vez que o dispositivo de memória USB está conectado, o altifalante entrará automaticamente no modo USB. Também pode pressionar o botão Modo para selecionar o modo desejado, se necessário.

3. Para colocar em pausa a reprodução, pressione o botão Reproduzir/Pausar . Para continuar a reproduzir, pressione o botão Reproduzir / Pausar  novamente.



Nota:

- a) Se desligar o altifalante, a próxima vez que o altifalante é for ligado, ele irá continuar reproduzir a última faixa d e reprodução.
- b) Se trocar para outro modo quando estiver a reproduzir a partir do dispositivo de memória USB, a reprodução entrará em pausa. Quando trocar novamente para o modo USB, a reprodução será retomada a partir do ponto em que foi colocada em pausa.
- c) Recomenda-se armazenar apenas ficheiros de música (MP3 / WMA / AAC) no seu dispositivo de memória USB. Se uma pasta contiver ficheiro(s) diferentes de arquivos de música, o altifalante ignorará esse ficheiro/ pasta.

Selecionar um ficheiro

1. Enquanto o dispositivo de memória USB estiver sendo reproduzido, pressione o botão Faixa Seguinte  ou o botão Faixa Anterior  para mudar para o ficheiro desejado. Se houver mais de que uma pasta, todos os ficheiros da pasta atual devem ter sido reproduzidos e a próxima pasta será reproduzida.
2. Pressione e segure o botão Faixa Seguinte  ou o botão Faixa Anterior  para avançar rapidamente / rebobinar a faixa atual. Solte o botão quando chegar ao ponto desejado na faixa

Saltar para a pasta seguinte

Com o dispositivo de memória USB estiver em modo de pausa ou de reprodução, pressione e solte o botão Pasta Seguinte  ou o botão Pasta Anterior . O primeiro ficheiro da próxima ou anterior pasta será reproduzido.

Nota:

Se o seu USB contiver uma pasta sem ficheiros, o dispositivo ignorará a pasta e reproduzirá os ficheiros da próxima pasta.

MANUTENÇÃO

⚠ ATENÇÃO:

- Nunca use gasolina, benzina, diluente, álcool ou similares. Podem originar descoloração, deformação ou rachas.

Especificações

Amplificador	
Energia de Saída	10.8V-12Vmáx:3W 14.4V:6W 18V:10W
Resposta de Frequência	50Hz~20kHz
Aux In	
Sensibilidade de entrada	250mVrms @100Hz
Altifalante	
Altifalante Principal	101.6mm 8ohm 10W
Atifalante tweeter	36mm 8ohm 10W

Bluetooth (A marca e os logotipos Bluetooth® word são marcas registradas de propriedade da Bluetooth SIG, Inc.)	
Versão Bluetooth	4.0
Perfil Bluetooth	A2DP SCMS-T AVRCP
Energia de Transmissão	Energia de Classe 2
Raio de Transmissão	Máx. 10m (varia de acordo com as condições de uso)
Codec suportado	SBC
Perfil Bluetooth compatível	A2DP
Potência máxima de rádio-frequência	BT EDR: 3.68dBm BT LE: 3.12dBm
Frequência de operação	2402MHz~2480MHz

Entrada USB	
USB padrão	USB3.0 / USB2.0
Sistema de arquivos compatível	FAT 32/16/12
Formato de áudio compatível	MP3 / WMA / AAC
Corrente Máxima	500 mA (Máx)

Geral	
Adaptador de alimentação CA	DC in 12V 1.5A, pino central positivo
Bateria	Bateria de deslize: 10.8 V-12Vmáx 14.4 V 18 V
Dimensões (L x A x P)	211 mm × 206 mm × 199 mm
Peso	2.7KG (sem bateria)

A empresa reserva-se o direito de alterar as especificações sem aviso prévio.

Makita Corporation
3-11-8, Sumiyoshi-cho,
Anjo, Aichi 446-8502 Japan

www.makita.com

3A81cA5Z20000
DMR201-NA3-BR-1712

SJN