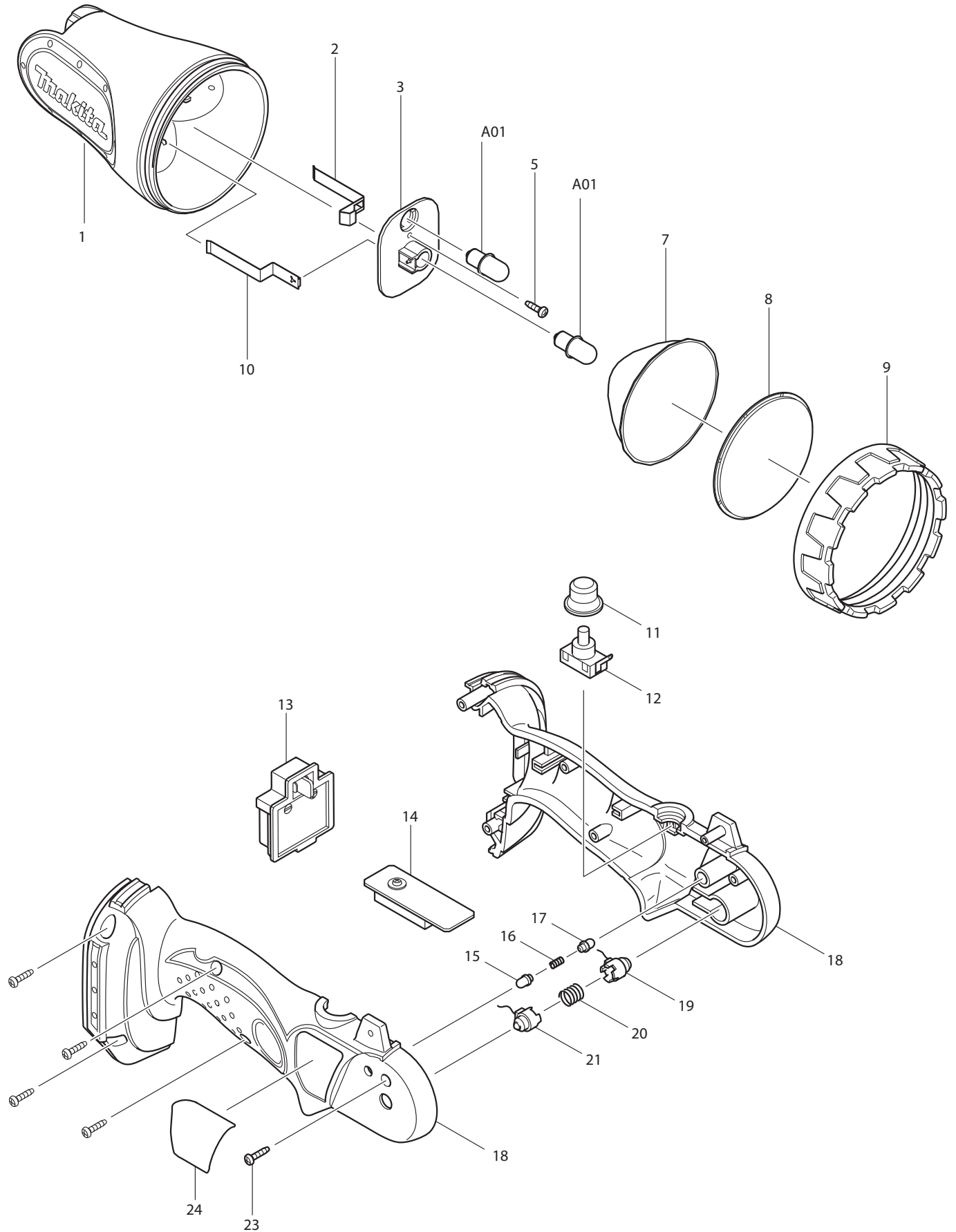




12 - 2015

DML185

18V Flashlight (Li-ion)



Item No	Type	Ref	Ref Part No	Description	Qty	Unit
1			GM00001003	CASE HEAD 30105185104	1	PC.
2			GM00001010	BULB CONTACT PLATE (-)	1	PC.
3			GM00001002	PROTECTOR FOR CONTACT	1	PC.
5			GM00001012	SCREW 3X12 PB BLACK ZN	1	PC.
7			GM00000130	REFLECTOR	1	PC.
8			GM00000070	LENS	1	PC.
9			GM00001001	REFLECTOR RETAINER	1	PC.
10			GM00001009	BULB CONTACT PLATE (+)	1	PC.
11			GM00001006	RUBBER COVER	1	PC.
12			GM00000200	SWITCH	1	PC.
13			GM00001116	BATTERY HOLDER	1	PC.
14			GM00001029	CIRCUIT BOARD	1	PC.
15			GM00001005	KNOCK SHAFT	1	PC.
16			GM00000090	COMPRESSION SPRING 4	1	PC.
17			GM00001005	KNOCK SHAFT	1	PC.
18			GM00001000	HOUSING SET	1	SET
19			GM00001004	LEFT CASE SHAFT	1	PC.
20			233144-3	COMPRESSION SPRING 7	1	PC.
21			632524-4	PIVOT TERMINAL UNIT R	1	PC.
23			GM00001013	SCREW 3X14 PB BLACK ZN	5	PC.
24			GM00001008	NAME PLATE	1	PC.
E01			810320-2	CAUTION LABEL	1	PC.

ACCESSORIES

- See Catalogue or visit www.makita.ca for more accessories -

A01			A-90261	BULB SET (2PC/SET)	1	SET
A02			-----	18V LI-ION BATTERY		
A03			-----	BATTERY CHARGER		
A04			-----	LI-ION BATTERY ACCESSORIES		