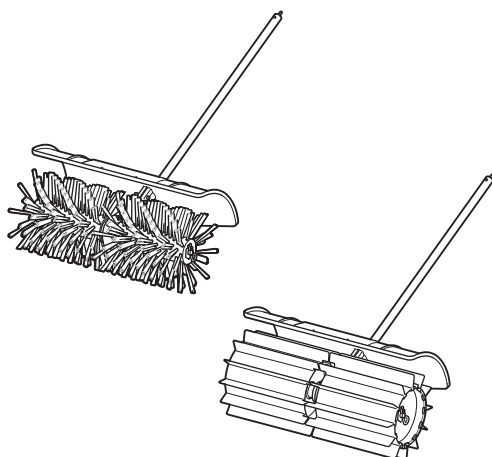


ORIGINAL INSTRUCTION MANUAL
MANUEL D'INSTRUCTIONS
ORIGINAL
MANUAL DE INSTRUCCIONES
ORIGINALES



**Power Brush Attachment /
Power Sweep Attachment
Outil Balai Brosse / Outil Balai Racleur
Accesorio de Cepillado Motorizado /
Accesorio Barredor Motorizado**

**BR400MP
SW400MP**



IMPORTANT: Read Before Using.

IMPORTANT : Lire avant usage.

IMPORTANTE: Lea antes de usar.

SPECIFICATIONS

Model:	BR400MP
Dimensions: length x width x height (with brushes)	1,145 mm x 600 mm x 362 mm (45" x 23-5/8" x 14-1/4")
Net weight	6.3 kg (13.9 lbs)
Brush width	600 mm (23-5/8")
Outer diameter of the brush	250 mm (9-7/8")

Model:	SW400MP
Dimensions: length x width x height (with sweep drums)	1,159 mm x 600 mm x 362 mm (45-1/2" x 23-5/8" x 14-1/4")
Net weight	7.2 kg (15.8 lbs)
Sweep drum width	590 mm (23-1/4")
Outer diameter of the sweep drum	265 mm (10-3/8")

- Due to our continuing program of research and development, the specifications herein are subject to change without notice.
- Specifications may differ from country to country.

Approved power unit


This attachment is approved to use only with the following power unit(s):

- EX2650LH Multi Function Power Head
- DUX60, XUX01 Cordless Multi Function Power Head

⚠ WARNING: Never use the attachment with non-approved power unit. Non-approved combination may cause serious injury.

Symbols

The following symbols are used on the attachment and this instruction manual. Understand these definitions.

	Take Particular care and attention!
	Read instruction manual.
	Wear protective helmet, eye and ear protection!
	Wear sturdy boots with nonslip soles. Steeltoed safety boots are recommended!
	Keep bystanders at least 5 m (17 ft) away.
	The brushes or sweep drums rotate in the direction of the arrow.
	Hot surfaces - Burns to fingers or hands.



When attaching the brushes or sweep drums, make sure that the gear case is facing upward.

Intended use

BR400MP

This attachment is designed for only the purpose of sweeping ground and paths in conjunction with an approved power unit. Never use the attachment for other purposes. Abusing the attachment may cause serious injury. This attachment is intended for commercial use.

SW400MP

This attachment is designed for only the purpose of clearing wet materials, such as leaves, dirt, and removing water from solid surfaces in conjunction with an approved power unit. Never use the attachment for other purposes. Abusing the attachment may cause serious injury. This attachment is intended for commercial use.

SAFETY WARNINGS

Power brush / power sweep safety warnings

⚠ WARNING: Read all safety warnings, instructions, illustrations and specifications provided with this machine as well as the instruction manual of the power unit before using. Failure to follow all instructions listed below may result in fire and/or serious injury to the operator and/or bystanders.

Save all warnings and instructions for future reference.

The term "power brush / power sweep" and "machine" in the warnings and precautions refer to the combination of the attachment and the power unit.

The term "motor" in the warnings and precautions refers to the engine or electric motor of the power unit.

General safety

1. **First-time or inexperienced operator should ask the dealer for training in all operation of the machine. Never allow children, persons with reduced physical, sensory or mental capabilities or lack of experience and knowledge or people unfamiliar with the instructions to use the machine. Children should be supervised to ensure that they do not play with the machine.**
2. **It is recommended only to lend the machine to people who have proven to be experienced. Always hand over the instruction manual.**
3. **Stay alert, watch what you are doing and use common sense when operating the machine. Do not use the machine while you are tired, ill, or under the influence of drugs, alcohol or medication. A moment of inattention while operating the machine may result in serious personal injury.**
4. **Avoid using the machine in bad weather conditions especially when there is a risk of lightning.**
5. **Follow your national and local regulation for use of outdoor power machines.**
6. **Never attempt to modify the machine.**
7. **Keep in mind that the operator or user is responsible for accidents or hazards occurring to other people or their property.**

Work area safety

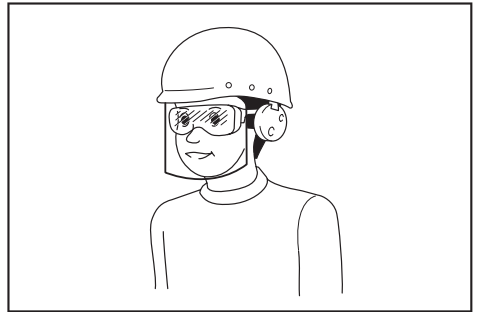
⚠️ WARNING: Keep the power brush / power sweep away from electric lines and communication cables. Touching or approaching high-voltage lines with power brush / power sweep can result in death or serious injury. Watch power lines and electrical fences around the work area before starting operation.

1. **Operate the machine under good visibility and daylight conditions only. Do not operate the machine in darkness or fog.**
2. **Start and operate the engine only outdoors in a well ventilated area.** Operation in a confined or poorly ventilated area can result in death due to suffocation or carbon monoxide poisoning.
3. **Before operation, examine the work area for wire fences, stones, or other solid objects.** They can damage the brushes or sweep drums.
4. **During operation, never stand on an unstable or slippery surface or a steep slope. During the cold season, beware of ice and snow and always ensure secure footing.**
5. **Avoid working close to fences, stumps or root of trees.** They can damage the brushes or sweep drums.

6. **Avoid working close to buildings, cars and other properties.** Stones and debris hit by the power brush / power sweep may damage them.
7. **Cleaning the synthetic floor may generate static electricity, and there is a risk of electric shock or accidents.**

Personal protective equipment

1. **Always wear heavy, long pants, sturdy boots, gloves, and a long-sleeve shirt. Do not wear loose clothing, jewelry, short pants, sandals, or go barefoot. Secure hair so it is above shoulder level.**
2. **Always wear protective goggles to protect your eyes from injury when using the machine. The goggles must comply with ANSI Z87.1 in the USA, EN 166 in Europe, or AS/NZS 1336 in Australia/New Zealand. In Australia/New Zealand, it is legally required to wear a face shield to protect your face, too.**



It is an employer's responsibility to enforce the use of appropriate safety protective equipments by the tool operators and by other persons in the immediate working area.

3. **Wear ear protection, such as ear muffs.** Exposure to noise can cause hearing loss.
4. **Always wear sturdy shoes with a non-slip sole.** This protects your feet against injuries and ensures a good footing.
5. **Wear a dust mask as necessary.**

Refueling

1. **Stop the engine before refueling. Keep away from open flames and sparks. Never smoke during refueling.** Otherwise fire and/or explosion may result.
2. **Refuel outdoors.** Refueling in a closed room can cause explosion of fuel vapor.
3. **Avoid contact with fuel or engine oil. Do not inhale fuel vapor. If fuel or oil spills, wipe it off of the machine and/or ground immediately. If fuel spills on your clothes, change it immediately to prevent it from catching fire.**
4. **After refueling, carefully tighten the fuel tank cap and check for fuel leak. Move at least 3 m (10 feet) away from the fueling source and site before starting engine.**
5. **Only transport and store fuel in approved containers. Keep children away from the stored fuel.**

Starting up the power brush / power sweep

1. Before assembling or adjusting the machine, switch off the motor and remove the spark plug cap or the battery cartridge.
2. Before handling the brushes or sweep drums, wear protective gloves.
3. Wear the personal protective equipments before starting the motor.
4. Before starting the motor, inspect the machine for damages, loose screws/nuts or improper assembly. Check all control levers and switches for easy action. Clean and dry the handles.
5. Never attempt to start the motor if the machine is damaged or not fully assembled with proper guards, plates, or other safety protective devices. Otherwise serious injury may result.
6. Before starting the motor, carefully check that the brushes or sweep drums are not touching your body and other objects. Starting the motor with the brushes or sweep drums contacting with foreign object can cause serious accident.
7. Before starting the motor, make sure that there is no person or animal in the work area.
8. Adjust the shoulder harness and hand grip to suit the operator's body size.
9. Replace the brushes or sweep drums if they are cracked, bent, or damaged. Damaged brushes or sweep drums may shatter during operation and cause serious injury.
10. Start and operate the machine only outdoors in a well ventilated area. Operation in a confined or poorly ventilated area can result in death due to suffocation or carbon monoxide poisoning.
11. When starting the engine, place the machine on firm ground and then maintain good balance and secure footing.
12. When pulling the starter knob of the engine, hold the power unit firmly against the ground by your left hand. Never step on the drive shaft of the power unit.
13. If the brushes or sweep drums rotate at idle, stop the engine and adjust the idle speed down. Otherwise unintentional contact with moving brushes or sweep drums may result in serious injury.
14. Stop the motor immediately if you notice any trouble.
15. Follow the instruction manual of the power unit for starting the motor.

Transportation

1. Stop the motor during transportation. Otherwise unintentional start-up may cause injury.
2. Ensure safe position of the machine during car transportation to avoid fuel leakage.
3. Lift the entire machine from the ground when carrying the machine. Dragging the machine causes fuel tank damage and fuel leakage, resulting in fire.
4. When transporting the equipment, carry it in a horizontal position by holding the shaft. Keep the hot muffler away from your body.

Operation

1. During operation, keep bystanders or animals at least 5 m (17 ft) away from the power brush / power sweep. Stop the motor as soon as someone approaches.
2. In the event of an emergency, switch off the motor immediately.
3. If you feel any unusual condition (e.g. noise, vibration) during operation, switch off the motor. Do not use the machine until the cause is recognized and solved.
4. With the engine running only at idle, attach the shoulder harness.
5. During operation, use the shoulder harness. Keep the machine on your right side firmly.



6. Hold the front handle with the left hand and the rear grip with the right hand, no matter you are right-hander or left-hander. Wrap your fingers and thumbs around the handles.
7. Never attempt to operate the machine with one hand. Loss of control may result in serious or fatal injury. To reduce the risk of injuries, keep your hands and feet away from the brushes or sweep drums.
8. When operating, do not raise the brushes or sweep drums above waist height.
9. The brushes or sweep drums continue to move for a short period after releasing the throttle trigger or switching off the motor. Don't rush to contact the brushes or sweep drums.
10. Do not overreach. Keep proper footing and balance at all times. Watch for hidden obstacles such as tree stumps, roots and ditches to avoid stumbling.
11. Use extreme caution when reversing the brush or sweep drum rotation or pulling the machine toward you. If the power unit has reverse rotation function, do not use it more than necessary. When operated in reverse rotation, the power brush / power sweep will pull you if the brushes or sweep drums are on the ground.
12. Do not overload the machine capacity by attempting to push too hard at too fast a rate. The machine will do better work when used with proper load and there is less likelihood of a risk of injury.

13. **Do not accelerate the motor with the brushes or sweep drums blocked.** It increases the load and will damage the machine.
14. **If the machine gets heavy impact or fall, check the condition before continuing work. Check the fuel system for fuel leakage and the controls and safety devices for malfunction. If there is any damage or doubt, ask our authorized service center for the inspection and repair.**
15. **Do not touch the gear case. The gear case becomes hot during operation.**
16. **Take a rest to prevent loss of control caused by fatigue.** We recommend to take a 10 to 20-minute rest every hour.
17. **When you leave the machine, even if it is a short time, always switch off the engine or remove the battery cartridge.** The machine unattended with the engine running may be used by unauthorized person and cause serious accident.
18. **Follow the instruction manual of the power unit for proper use of the control lever and switch.**
19. **During or after operation, do not put the hot machine onto dry grass or combustible materials.**
20. **If the brushes or sweep drums catch foreign objects, switch off the motor and remove the spark plug cap or battery cartridge, and then remove the obstructions.**
21. **Keep your hands and feet clear of the brushes or sweep drums. Contacting the brushes or sweep drums can result in serious injury. When handling the brushes or sweep drums, stop the motor and remove the spark plug cap or battery cartridge.**
22. **Check the brushes or sweep drums frequently during operation for cracks or damages.**
23. **Always switch off the engine or remove the battery cartridge when removing debris or foreign objects from the brushes or sweep drums.**
24. **Refer to the instruction manual of the power unit for how to start and control the machine.**
3. **Always wear protective gloves when handling the brushes or sweep drums.**
4. **Always clean dust and dirt off the equipment. Never use gasoline, benzene, thinner, alcohol or the like for the purpose.** Discoloration, deformation or cracks of the plastic components may result.
5. **After each use, tighten all screws and nuts, except for the carburetor adjustment screws.**
6. **Replace the brushes or sweep drums if they are damaged.**
7. **Do not attempt any maintenance or repair not described in this booklet or the instruction manual of the power unit. Ask our authorized service center for such work.**
8. **Follow instructions for lubricating and changing accessories.**
9. **Always use the genuine spare parts and accessories only.** Using parts or accessories supplied by a third party may result in the equipment breakdown, property damage and/or serious injury.
10. **Request our authorized service center to inspect and maintain the machine at regular interval.**

Storage

1. **Before storing the machine, perform full cleaning and maintenance. Remove the spark plug cap or the battery cartridge. Drain the fuel after the engine gets cold.**
2. **Store the equipment in a dry and high or locked location out of reach of children.**
3. **Do not prop the equipment against something, such as a wall. Otherwise it may fall suddenly and cause an injury.**

First Aid

1. **In case of accident make sure that a first-aid box is available in the vicinity of the operations. Immediately replace any item taken from the first aid box.**
2. **When asking for help, give the following information:**
 - Place of accident
 - What happened
 - Number of injured persons
 - Kind of injuries
 - Your name

Vibration

Exposing to excessive vibration injures blood vessels or nervous system of the operator and causes the following symptoms in the fingers, hands or wrists: "Falling asleep" (numbness), tingling, pain, stabbing sensation, alteration of skin color or of the skin. If any of these symptoms occur, see a physician.

To reduce the risk of "white finger disease", keep your hands warm during operation and well maintain the machine and accessories.

Maintenance

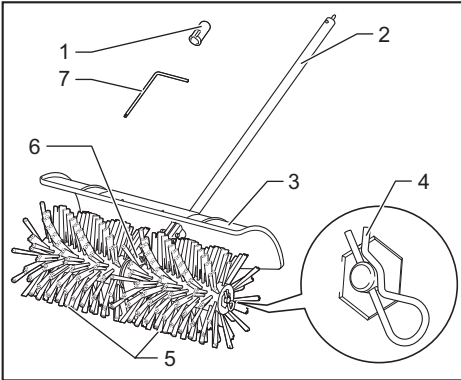
1. **Before doing any maintenance or repair work or cleaning the machine, always switch off the motor and remove the spark plug cap or the battery cartridge. Wait until the motor gets cold.**
2. **To reduce the risk of fire, never service the equipment in the vicinity of fire.**

SAVE THESE INSTRUCTIONS.

⚠WARNING: Use of this product can create dust containing chemicals which may cause respiratory or other illnesses. Some examples of these chemicals are compounds found in pesticides, insecticides, fertilizers and herbicides. Your risk from these exposures varies, depending on how often you do this type of work. To reduce your exposure to these chemicals: work in a well ventilated area, and work with approved safety equipment, such as those dust masks that are specially designed to filter out microscopic particles.

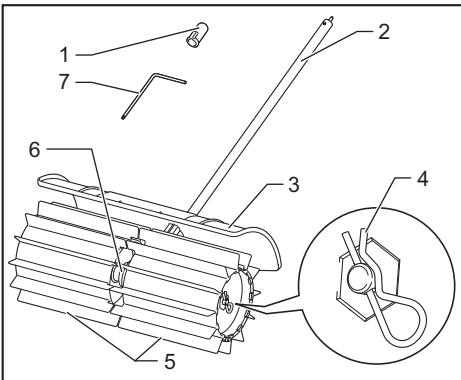
PARTS DESCRIPTION

Power brush attachment



- 1. Cap 2. Pipe 3. Protector 4. Clip 5. Brush 6. Gear case 7. Hexalobular wrench

Power sweep attachment



- 1. Cap 2. Pipe 3. Protector 4. Clip 5. Sweep drum 6. Gear case 7. Hexalobular wrench

ASSEMBLY

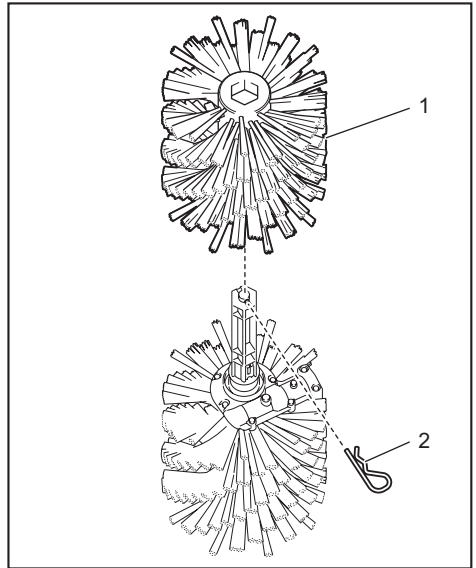
⚠WARNING: Before assembling or adjusting the equipment, switch off the motor or engine and remove the spark plug cap or battery cartridge. Otherwise the brushes, drums, or other parts may move and result in serious injury.

⚠WARNING: When assembling or adjusting the equipment, always put it down. Assembling or adjusting the equipment in an upright position may result in serious injury.

⚠WARNING: Follow the warnings and precautions in the chapter "SAFETY WARNINGS" and the instruction manual of the power unit.

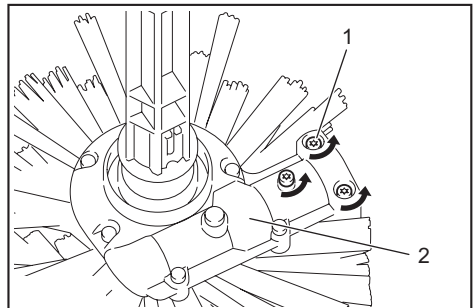
Assembling the attachment

1. Remove the clip from the brush or sweep drum on the left side of the brush unit or sweep drum unit, and then remove the brush or sweep drum.



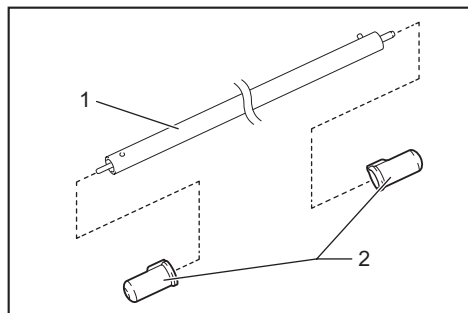
- 1. Brush 2. Clip

2. Loosen 3 screws on the gear case.



- 1. Screw 2. Gear case

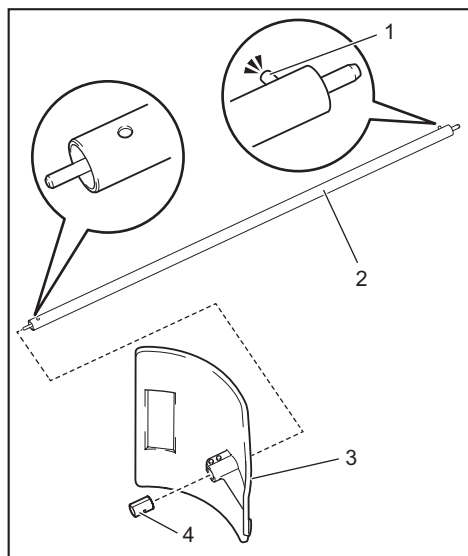
3. Remove 2 caps from both ends of the pipe.



► 1. Pipe 2. Cap

NOTICE: Do not dispose of the caps since the cap is necessary for storing the attachment.

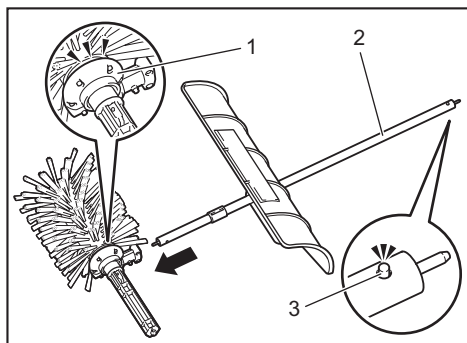
4. Attach the protector and the sleeve to the pipe.



► 1. Pin 2. Pipe 3. Protector 4. Sleeve

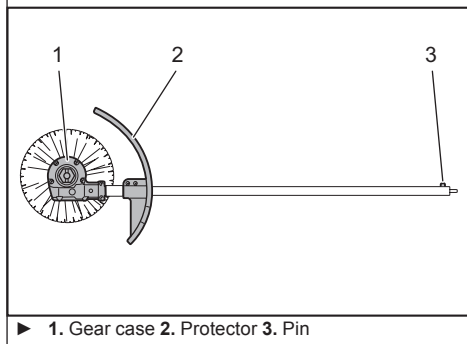
NOTICE: Be sure to insert the end of the pipe without the pin into the protector and the sleeve.

5. Make sure that the gear case and the pin on the pipe are facing up, and then insert the pipe into the gear case.



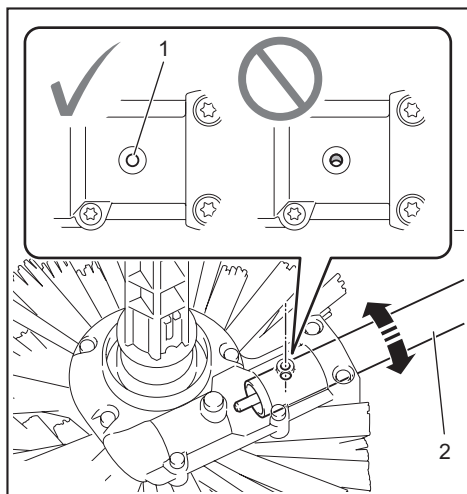
► 1. Gear case 2. Pipe 3. Pin

NOTICE: Make sure that the gear case and the pin on the pipe are facing up, and the protector is attached in the direction shown in the figure.



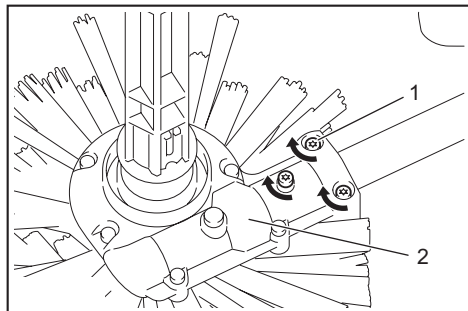
► 1. Gear case 2. Protector 3. Pin

6. Align the screw hole on the pipe with the hole on the gear case by rotating the pipe.



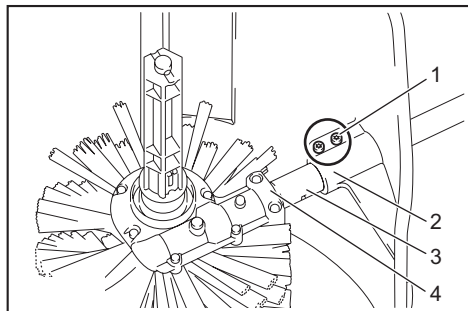
► 1. Hole 2. Pipe

7. Tighten 3 screws on the gear case.



► 1. Screw 2. Gear case

8. Tighten 2 screws on the protector.



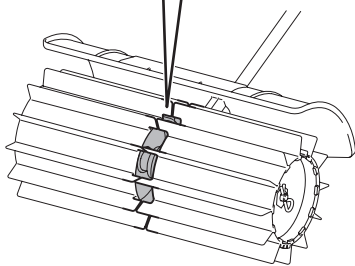
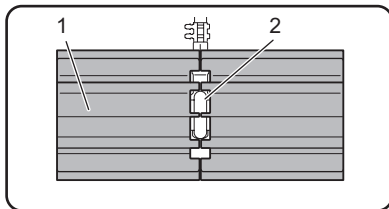
► 1. Screw 2. Protector 3. Sleeve 4. Gear case

NOTICE: Make sure that there is no gap between the gear case and the sleeve, and the sleeve and the protector.

9. Attach the brush or sweep drum to the brush unit or sweep drum unit, and then attach the clip to the brush or sweep drum.

NOTICE: When attaching the brushes, be sure to attach them with the Makita logo facing outside.

NOTICE: When attaching the sweep drums, be sure to attach them in the direction shown in the figure, so that the sweep drums and the gear case mesh with each other.



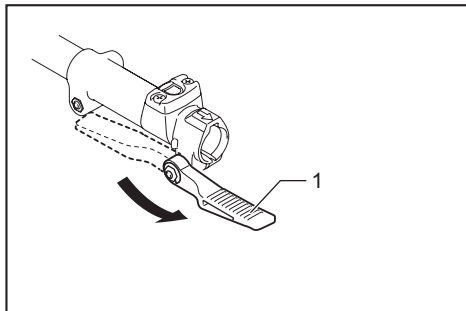
► 1. Sweep drum 2. Gear case

Mounting the attachment pipe

CAUTION: Always check that the attachment pipe is secured after installation. Improper installation may cause the attachment falling off from the power unit and cause personal injury.

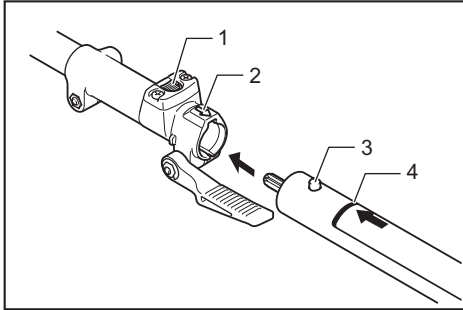
Mount the attachment pipe to the power unit.

1. Turn the lever toward the attachment.



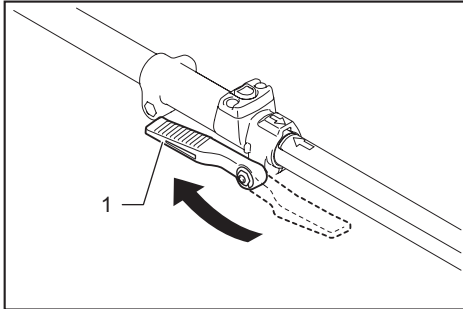
► 1. Lever

2. Align the pin with the arrow mark. Insert the attachment pipe until the release button pops up. Make sure that the position line is on the tip of the arrow mark.



- 1. Release button 2. Arrow mark 3. Pin 4. Position line

3. Turn the lever toward the power unit.

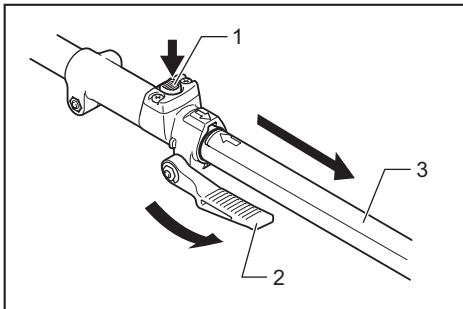


- 1. Lever

Make sure that the surface of the lever is parallel to the pipe.

NOTICE: Do not tighten the lever without the attachment pipe inserted. Otherwise the lever may tighten the entrance of the drive shaft too much and damage it.

To remove the pipe, turn the lever toward the attachment and pull the pipe out while pressing down the release button.



- 1. Release button 2. Lever 3. Pipe

OPERATION

⚠WARNING: Follow the warnings and precautions in the chapter “SAFETY WARNINGS” and the instruction manual of the power unit.

⚠WARNING: Adjust the hanger position and shoulder harness to your comfortable position before operating.

⚠WARNING: Wear dust mask and well ventilate the work area. Some material contains chemicals which may be toxic. Take caution to prevent dust inhalation and skin contact.

⚠CAUTION: Before operation, remove hard and/or long objects such as stones, cans, and ropes from the working area. They may damage the brushes or sweep drums or hinder the rotation of the brushes or sweep drums.

If the surface to be cleaned is dry, spray it with water to reduce the dust. Hold the power brush / power sweep at a shallow angle, and push the power brush / power sweep at walking speed.



⚠CAUTION: The steeper the angle becomes, the more difficult it is to control the power brush / power sweep, and the more likely you are pushed back by the power brush / power sweep.

MAINTENANCE

⚠ WARNING: Before inspecting or maintaining the equipment, switch off the motor and remove the spark plug cap or battery cartridge. Otherwise the brush, sweep drum, or other parts may move and result in serious injury.

⚠ WARNING: When inspecting or maintaining the equipment, always put it down. Assembling or adjusting the equipment in an upright position may result in serious injury.

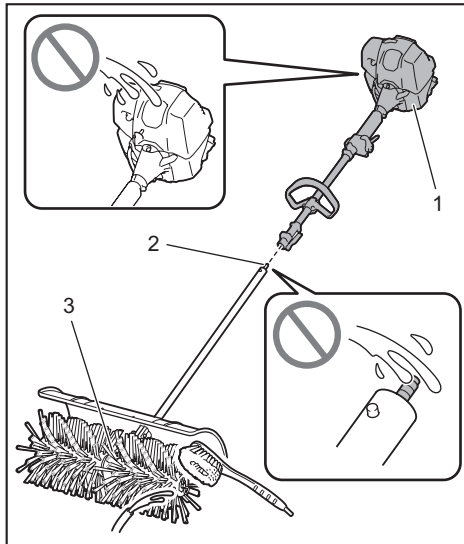
⚠ WARNING: Follow the warnings and precautions in the chapter “SAFETY WARNINGS” and the instruction manual of the power unit.

NOTICE: Never use gasoline, benzine, thinner, alcohol or the like. Discoloration, deformation or cracks may result.

To maintain product SAFETY and RELIABILITY, repairs, any other maintenance or adjustment should be performed by Makita Authorized or Factory Service Centers, always using Makita replacement parts.

Cleaning the attachment

The attachment can be washed with water. Use a nylon brush or the similar to wash off dirt.



► 1. Power unit 2. Pipe end 3. Gear case

NOTICE: Do not pour water over the power unit and pipe end. It may cause a malfunction of the attachment.

For ease of cleaning, you can remove the brush or sweep drum from the brush unit or sweep drum unit. Refer to the instructions for replacing the brushes or sweep drums in this manual.

Overall inspection

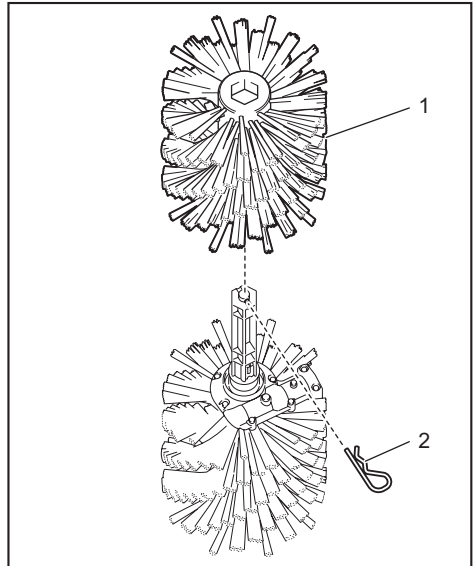
- Tighten loose bolts, nuts and screws.
- Check for damaged parts, brushes, or sweep drums. Ask our authorized service center to replace them if necessary.

Inspecting the brushes, sweep drums, and protector

Check and clean the brushes, sweep drums, and protector daily. If they are worn, bent and cracked, replace them.

Replacing the brushes or sweep drums

1. Remove the clips from the brushes or sweep drums, and then remove the brushes or sweep drums.

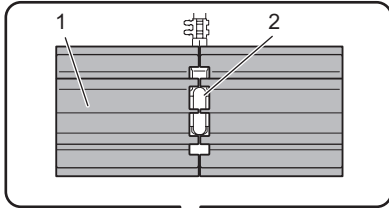


► 1. Brush 2. Clip

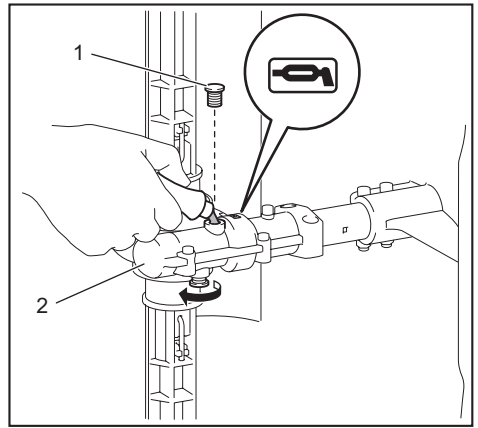
2. Attach the brushes or sweep drums to the brush unit or sweep drum unit, and then attach the clips.

NOTICE: When attaching the brushes, be sure to attach them with the Makita logo facing outside.

NOTICE: When attaching the sweep drums, be sure to attach them in the direction shown in the figure, so that the sweep drums and the gear case mesh with each other.



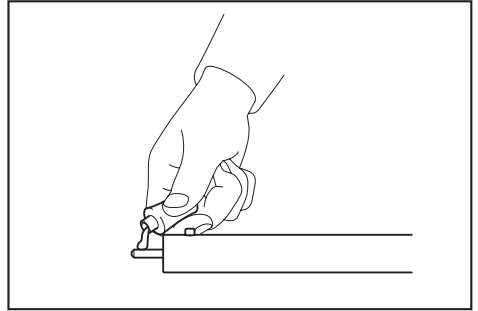
► 1. Sweep drum 2. Gear case



► 1. Bolt 2. Gear case

Drive axle:

Apply grease (Shell Alvania No.2 or equivalent) every 25 hours of operation.



NOTE: Genuine Makita grease may be purchased from your local Makita dealer.

Lubricating moving parts

NOTICE: Follow the instruction of the frequency and amount of grease supplied. Otherwise insufficient lubrication may damage moving parts.

Gear case:

CAUTION: Do not apply grease when the gear case is hot. Hot gear case can cause burn injury.

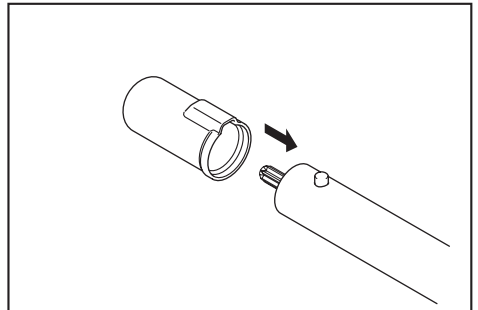
Fill approx. 30 ml of grease (Shell Alvania 2 or equivalent) through the grease port evenly every 25 hours of operation.

With the supplied hexalobular wrench, remove the bolt near the lubrication marking on the gear case. Loosen the bolt on the other side so that the air in the gear case can be released when applying the grease. After applying the grease, be sure to tighten the bolts.

Storage

WARNING: Follow the warnings and precautions in the chapter "SAFETY WARNINGS" and the instruction manual of the power unit.

When storing the attachment separated from the power unit, put the cap onto the end of the shaft.



Interval of inspection and maintenance

Operating hour		Before Operation	Daily (10h)	25h
Whole unit	Visually inspect for damaged parts	✓	-	-
All fixing screws and nuts	Tighten	✓	-	-
Brushes, sweep drums, and protector	Clean and visually inspect for damaged parts	-	✓	-
Gear case	Supply grease	-	-	✓
Drive axle	Supply grease	-	-	✓
Power unit	Refer to the instruction manual of the power unit			

TROUBLESHOOTING

Before asking for repairs, conduct your own inspection first. If you find a problem that is not explained in the manual, do not attempt to dismantle the machine. Instead, ask Makita Authorized Service Centers, always using Makita replacement parts for repairs.

State of abnormality	Probable cause (malfunction)	Remedy
Motor or engine does not start.	-	Refer to the instruction manual of the power unit.
Motor or engine stops soon.	-	Refer to the instruction manual of the power unit.
Motor or engine speed does not increase.	-	Refer to the instruction manual of the power unit.
Brushes or sweep drums do not rotate. ⇒ Stop the motor or engine immediately.	The pipes of the power unit and the attachment are not connected properly.	Connect the pipes in the correct way.
	Brushes or sweep drums caught a foreign matter.	Remove the foreign matter.
	Abnormal drive system	Contact an authorized service center for repairs.
Power unit vibrates abnormally. ⇒ Stop the motor or engine immediately.	Brushes or sweep drums are bent or broken.	Replace the brushes or sweep drums.
	Loose attachment of the brushes or sweep drums	Attach the clips for the brushes or sweep drums securely.
	Irregular attachment of the brushes or sweep drums	Install the brushes or sweep drums in the correct way.
	Abnormal drive system	Contact an authorized service center for repairs.
Brushes or sweep drums continue to rotate even if the switch trigger/lever is released. ⇒ Stop the motor or engine immediately.	The power unit does not work properly.	Adjust the idle speed if the power unit is engine-operated. Contact an authorized service center for repairs.

SPÉCIFICATIONS

Modèle :	BR400MP
Dimensions : longueur x largeur x hauteur (avec brosses)	1 145 mm x 600 mm x 362 mm (45" x 23-5/8" x 14-1/4")
Poids net	6,3 kg (13,9 lbs)
Largeur de brosse	600 mm (23-5/8")
Diamètre extérieur de la brosse	250 mm (9-7/8")

Modèle :	SW400MP
Dimensions : longueur x largeur x hauteur (avec tambours de raclage)	1 159 mm x 600 mm x 362 mm (45-1/2" x 23-5/8" x 14-1/4")
Poids net	7,2 kg (15,8 lbs)
Largeur de tambour de raclage	590 mm (23-1/4")
Diamètre extérieur du tambour de raclage	265 mm (10-3/8")

- Étant donné l'évolution constante de notre programme de recherche et de développement, les spécifications contenues dans ce manuel sont sujettes à modification sans préavis.
- Les spécifications peuvent varier suivant les pays.

Unité d'alimentation approuvée

Cette fixation est approuvée uniquement pour l'utilisation avec les unités d'alimentation suivantes :

- Moteur Multi-Fonctions EX2650LH
- Moteur Multi-Fonctions Sans Fil DUX60, XUX01

⚠ MISE EN GARDE : N'utilisez jamais la fixation avec une unité d'alimentation non approuvée. Une combinaison non approuvée peut entraîner une grave blessure.

Symboles

Les symboles suivants sont utilisés sur la fixation et dans ce manuel d'instructions. Vous devez comprendre ces définitions.

	Soyez tout particulièrement prudent et attentif !
	Lisez le manuel d'instructions.
	Portez un casque de protection et des protections pour les yeux et pour les oreilles !
	Portez des chaussures robustes à semelle antidérapante. Les bottes de sécurité à embout d'acier sont recommandées !
	Ne laissez pas approcher les personnes présentes à moins de 5 m (17 ft).
	Les brosses ou les tambours de raclage tournent dans le sens de la flèche.
	Surfaces chaudes - Brûlures aux doigts ou aux mains.



En fixant les brosses ou les tambours de raclage, assurez-vous que la boîte d'engrenage est orientée vers le haut.

Utilisation prévue

BR400MP

Cette fixation est conçue uniquement pour le raclage du sol et des allées, en combinaison avec une unité d'alimentation approuvée. N'utilisez jamais la fixation à d'autres fins. Maltraiter la fixation peut entraîner une grave blessure. Cette fixation est conçue pour un usage commercial.

SW400MP

Cette fixation est conçue uniquement pour le retrait des matières mouillées telles que feuilles et saletés, et pour le retrait de l'eau sur les surfaces solides, en combinaison avec une unité d'alimentation approuvée. N'utilisez jamais la fixation à d'autres fins. Maltraiter la fixation peut entraîner une grave blessure. Cette fixation est conçue pour un usage commercial.

CONSIGNES DE SÉCURITÉ

Consignes de sécurité pour balai brosse / balai racleur

⚠ MISE EN GARDE : Avant l'utilisation, veuillez lire toutes les mises en garde, instructions, illustrations et spécifications qui accompagnent cette machine, ainsi que le manuel d'instructions de l'unité d'alimentation. Ne pas suivre toutes les instructions ci-dessous peut entraîner un incendie et/ou une blessure grave à l'utilisateur et/ou aux personnes présentes.

Conservez toutes les mises en garde et instructions pour référence future.

Les termes « balai brosse / balai racleur » et « machine », dans les mises en garde et précautions, font référence à la combinaison de la fixation et de l'unité d'alimentation.

Le terme « moteur », dans les mises en garde et précautions, fait référence au moteur ou au moteur électrique de l'unité d'alimentation.

Sécurité générale

1. **Les nouveaux utilisateurs et les utilisateurs inexpérimentés doivent demander au détaillant de les initier à toutes les commandes de cette machine. Ne laissez jamais les enfants, les personnes aux facultés physiques, sensorielles ou mentales réduites, les personnes dont l'expérience ou les connaissances sont insuffisantes ou les personnes non familiarisées avec les instructions utiliser cette machine. Les enfants doivent être surveillés pour s'assurer qu'ils ne jouent pas avec la machine.**
2. **Il est recommandé de ne prêter la machine qu'à des personnes ayant démontré leur expérience. Remettez-leur toujours le manuel d'instructions.**
3. **Restez alerte, attentif à vos mouvements et faites preuve de bon sens lorsque vous utilisez la machine. N'utilisez pas la machine si vous êtes fatigué, malade ou avez pris une drogue, de l'alcool ou un médicament. Un moment d'inattention pendant l'utilisation de la machine peut entraîner une grave blessure.**
4. **Éviter d'utiliser la machine sous de mauvaises conditions météo, et tout spécialement lorsqu'il y a un risque de foudre.**
5. **Respectez la réglementation nationale et locale sur l'utilisation des machines électriques pour l'extérieur.**
6. **Ne tentez jamais de modifier la machine.**
7. **Gardez à l'esprit que l'opérateur ou l'utilisateur est responsable des accidents ou des dangers qui surviennent à d'autres personnes ou à leurs biens.**

Sécurité de la zone de travail

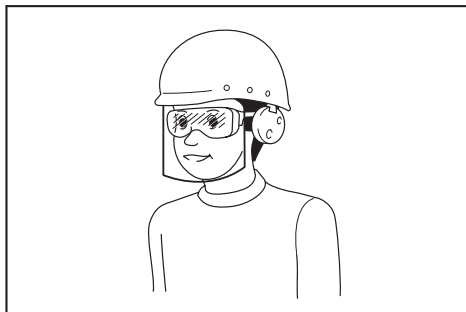
⚠ MISE EN GARDE : Gardez le balai brosse / balai racleur à l'écart des lignes électriques et câbles de communication. Toucher ou s'approcher des lignes haute tension avec le balai brosse / balai racleur peut entraîner le décès ou une blessure grave. Avant de commencer le travail, vérifiez s'il y a des lignes électriques ou des clôtures électriques aux environs de la zone de travail.

1. **N'utilisez la machine que dans des conditions de bonne visibilité et à la lumière du jour. N'utilisez pas la machine dans l'obscurité ou le brouillard.**
2. **Ne démarrez et n'utilisez le moteur qu'à l'extérieur, dans une zone bien aérée. L'utilisation dans un espace étroit ou mal aéré peut entraîner le décès par asphyxie ou par empoisonnement au monoxyde de carbone.**

3. **Avant l'exécution du travail, vérifiez l'absence de clôtures grillagées et de pierres ou autres objets solides dans la zone de travail. Ils peuvent endommager les brosses ou les tambours de raclage.**
4. **Pendant l'exécution du travail, ne vous tenez jamais sur une surface instable ou glissante, ou dans une pente abrupte. Pendant la saison froide, prenez garde à la glace et à la neige, et assurez-vous toujours d'une bonne prise au sol.**
5. **Évitez de travailler près des clôtures, des souches ou des racines d'arbres. Elles peuvent endommager les brosses ou les tambours de raclage.**
6. **Évitez de travailler près des bâtiments, des voitures et autres propriétés. Les pierres et débris heurtés par le balai brosse / balai racleur peuvent les endommager.**
7. **Le nettoyage d'un plancher synthétique peut générer de l'électricité statique et entraîner un risque de décharge électrique ou d'accident.**

Équipement de protection personnel

1. **Portez toujours un pantalon épais et long, des chaussures robustes, des gants et une chemise à manches longues. Ne portez pas de vêtements amples, bijoux, culotte courte ou sandales, et ne travaillez pas pieds nus. Rassemblez les cheveux au-dessus de la hauteur des épaules.**
2. **Portez toujours des lunettes à coques de protection pour protéger vos yeux contre les blessures lorsque vous utilisez la machine. Les lunettes à coques de protection doivent être conformes à ANSI Z87.1 aux États-Unis, à EN 166 en Europe, ou à AS/NZS 1336 en Australie/Nouvelle-Zélande. En Australie/Nouvelle-Zélande, la loi exige également de porter un écran facial pour se protéger le visage.**



L'employeur a la responsabilité d'imposer l'utilisation d'équipements de protection de sécurité adéquats aux utilisateurs des outils et à toute autre personne se trouvant dans la zone de travail immédiate.

3. **Portez un protège-oreilles ou autres protections pour les oreilles. L'exposition au bruit peut entraîner des lésions de l'ouïe.**
4. **Portez toujours des chaussures robustes à semelle antidérapante. Cela protégera vos pieds contre les blessures et vous assurera une bonne stabilité.**
5. **Portez un masque antipoussières si nécessaire.**

Ravitaillement en carburant

1. **Coupez le moteur avant d'effectuer le ravitaillement en carburant. Restez à l'écart des flammes nues et des étincelles. Ne fumez jamais en effectuant le ravitaillement en carburant.** Autrement, cela peut entraîner un incendie et/ou une explosion.
2. **Effectuez le ravitaillement en carburant à l'extérieur.** Le ravitaillement en carburant dans une pièce fermée peut entraîner l'explosion des vapeurs de carburant.
3. **Évitez de toucher le carburant ou l'huile à moteur. Ne respirez pas les vapeurs de carburant. Si vous renversez du carburant ou de l'huile, essuyez immédiatement la machine et/ou le sol. Si du carburant est renversé sur vos vêtements, changez-vous immédiatement pour éviter qu'ils ne prennent feu.**
4. **Après le ravitaillement en carburant, serrez soigneusement le bouchon du réservoir à carburant et vérifiez s'il y a des fuites de carburant. Avant de faire démarrer le moteur, déplacez-vous à au moins 3 m (10 pieds) de la source et du lieu de ravitaillement.**
5. **Ne transportez et ne rangez le carburant que dans des contenants approuvés. Gardez les enfants à l'écart du carburant rangé.**

Démarrage du balai brosse / balai racleur

1. **Avant d'assembler ou de régler la machine, coupez le moteur et retirez le capuchon de bougie d'allumage ou la batterie.**
2. **Enfilez des gants protecteurs avant de manipuler les brosses ou les tambours de raclage.**
3. **Portez les équipements de protection personnelle avant de démarrer le moteur.**
4. **Avant de démarrer le moteur, inspectez la machine pour vous assurer de l'absence de dommages, de vis/écrous desserrés ou de pièces mal assemblées. Vérifiez le fonctionnement fluide des leviers de commande et des commutateurs. Nettoyez et essuyez les poignées.**
5. **N'essayez jamais de démarrer le moteur si la machine est endommagée ou si elle n'est pas complètement assemblée avec les protecteurs, plaques ou autres dispositifs protecteurs de sécurité appropriés. Autrement, il y a risque de grave blessure.**
6. **Avant de faire démarrer le moteur, vérifiez soigneusement que les brosses ou les tambours de raclage ne touchent ni votre corps ni aucun objet. Le démarrage du moteur avec les brosses ou les tambours de raclage en contact avec un corps étranger peut entraîner un grave accident.**
7. **Avant de démarrer le moteur, assurez-vous qu'il n'y a pas de personne ou d'animal dans la zone de travail.**
8. **Ajustez la sangle d'épaule et la poignée en fonction de votre taille.**
9. **Remplacez les brosses ou les tambours de raclage s'ils sont fissurés, pliés ou endommagés. Les brosses ou tambours de raclage endommagés peuvent voler en éclats pendant l'utilisation et entraîner une grave blessure.**

10. **Ne démarrez et n'utilisez la machine qu'à l'extérieur, dans un emplacement bien aéré.** L'utilisation dans un emplacement confiné ou mal aéré peut entraîner le décès par asphyxie ou l'intoxication par le monoxyde de carbone.
11. **Lors du démarrage du moteur, placez la machine sur un sol ferme, puis maintenez un bon équilibre et une bonne assise.**
12. **Lorsque vous tirez sur la poignée de démarreur du moteur, maintenez fermement l'unité d'alimentation contre le sol avec la main gauche. Ne marchez jamais sur l'arbre d'entraînement de l'unité d'alimentation.**
13. **Si les brosses ou les tambours de raclage tournent pendant que le moteur est au ralenti, coupez le moteur et réduisez la vitesse de ralenti.** Autrement, le contact accidentel avec les brosses ou tambours de raclage en mouvement peut entraîner une grave blessure.
14. **Coupez immédiatement le moteur si vous constatez toute défectuosité.**
15. **Pour démarrer le moteur, reportez-vous au manuel d'instructions de l'unité d'alimentation.**

Transport

1. **Coupez le moteur pendant le transport.** Autrement, un démarrage accidentel pourrait entraîner une blessure.
2. **Assurez-vous que la machine est placée de manière sécuritaire lors de son transport par véhicule, pour éviter les fuites de carburant.**
3. **Lorsque vous transportez la machine, soulevez-la complètement du sol.** Traîner la machine peut endommager le réservoir à carburant et provoquer une fuite de carburant qui risque d'entraîner un incendie.
4. **Lors du transport de l'équipement, transportez-le à l'horizontale et en tenant l'arbre. Gardez le silencieux chaud à l'écart de votre corps.**

Exécution du travail

1. **Pendant l'utilisation, gardez les personnes présentes et animaux à au moins 5 m (17 ft) du balai brosse ou du balai racleur. Arrêtez le moteur dès que quelqu'un approche.**
2. **En cas d'urgence, éteignez immédiatement le moteur.**
3. **Si vous soupçonnez une anomalie (bruit, vibration, etc.) pendant l'exécution du travail, éteignez le moteur. N'utilisez la machine qu'une fois la cause de l'anomalie identifiée et corrigée.**
4. **Fixez la sangle d'épaule pendant que le moteur ne tourne qu'au ralenti.**
5. **Pendant l'exécution du travail, utilisez la sangle d'épaule. Maintenez fermement la machine sur votre droite.**



6. **Que vous soyez droitier ou gaucher, tenez la poignée avant de la main gauche et la poignée arrière de la main droite. Enveloppez les poignées de vos doigts et pouces.**
7. **N'essayez jamais d'utiliser la machine d'une seule main. La perte de contrôle peut entraîner une blessure grave, voire fatale. Pour réduire le risque de blessures, gardez les mains et pieds à l'écart des brosses ou des tambours de raclage.**
8. **Pendant l'utilisation, ne soulevez pas les brosses ou les tambours de raclage plus haut que la hauteur de la taille.**
9. **Les brosses ou les tambours de raclage contiennent de bouger un court moment après la libération de la gâchette d'accélérateur ou l'arrêt du moteur. Attendez un peu avant de toucher les brosses ou les tambours de raclage.**
10. **Ne vous étirez pas. Gardez une bonne prise au sol et un bon équilibre en tout temps. Vérifiez l'absence d'obstacles non visibles, tels que souches, racines et fossés, pour éviter de perdre pied.**
11. **Soyez extrêmement prudent lorsque vous inversez le sens de rotation de la brosse ou du tambour de raclage, ou lorsque vous tirez la machine vers vous. Si l'unité d'alimentation est dotée d'une fonction de rotation inverse, ne l'utilisez pas plus que nécessaire. Lors de l'utilisation en mode de rotation inverse, le balai brosse / balai racleur vous tirera si les brosses ou les tambours de raclage sont sur le sol.**
12. **Ne surchargez pas la machine en essayant de la pousser trop fort et trop vite. La machine effectuera mieux le travail si elle est utilisée avec une charge adéquate, et il y aura moins de risques de blessures.**
13. **Ne faites pas accélérer le moteur avec les brosses ou les tambours de raclage bloqués. Cela augmenterait la charge et endommagerait la machine.**
14. **Si la machine subit un choc violent ou tombe, vérifiez son état avant de poursuivre le travail. Vérifiez l'absence de fuite de carburant sur le circuit de carburant, et l'absence de dysfonctionnements sur les commandes et les dispositifs de sécurité. Si vous constatez ou soupçonnez tout dommage, demandez à un centre de service après-vente agréé d'effectuer l'inspection et la réparation.**

15. **Ne touchez pas la boîte d'engrenage. La boîte d'engrenage devient chaude pendant l'exécution du travail.**
16. **En cas de fatigue, faites une pause pour éviter de perdre le contrôle de l'outil. Il est recommandé de prendre une pause de 10 à 20 minutes toutes les heures.**
17. **Lorsque vous quittez la machine, même pour un court moment, coupez toujours le moteur ou retirez la batterie. La machine laissée sans surveillance avec le moteur en marche peut être utilisée par une personne non autorisée et entraîner un accident grave.**
18. **Suivez les instructions du mode d'emploi de l'unité d'alimentation pour utiliser adéquatement le levier de commande et le commutateur.**
19. **Pendant ou après l'utilisation, ne mettez pas la machine chaude sur de l'herbe sèche ou des matériaux combustibles.**
20. **Si les brosses ou les tambours de raclage attrapent des corps étrangers, coupez le moteur et retirez le capuchon de bougie d'allumage ou la batterie, puis retirez les corps étrangers.**
21. **Gardez vos mains et pieds à l'écart des brosses ou des tambours de raclage. Le contact avec les brosses ou les tambours de raclage peut entraîner une grave blessure. Avant de manipuler les brosses ou les tambours de raclage, coupez le moteur et retirez le capuchon de bougie d'allumage ou la batterie.**
22. **Vérifiez régulièrement l'absence de fissures ou dommages sur les brosses ou les tambours de raclage pendant l'utilisation.**
23. **Coupez toujours le moteur ou retirez la batterie avant de retirer les débris ou corps étrangers sur les brosses ou les tambours de raclage.**
24. **Reportez-vous au manuel d'instructions de l'unité d'alimentation au sujet de la façon de démarrer et de commander la machine.**

Vibrations

L'exposition à des vibrations excessives peut affecter les vaisseaux sanguins ou le système nerveux de l'utilisateur, et entraîner les symptômes suivants aux doigts, aux mains ou aux poignets : Somnolence (engourdissement), picotement, douleur, douleur lancinante, altération de la couleur de la peau ou de la peau elle-même. Si l'un ou l'autre de ces symptômes se manifeste, consultez un médecin.

Pour réduire le risque de « maladie du doigt mort », gardez les mains au chaud pendant l'utilisation et entretenez bien la machine et les accessoires.

Entretien

1. **Avant d'effectuer tout travail d'entretien, de réparation ou de nettoyage sur la machine, coupez toujours le moteur et retirez le capuchon de bougie d'allumage ou la batterie. Attendez que le moteur ait refroidi.**
2. **Pour réduire le risque d'incendie, ne faites jamais l'entretien de l'équipement près d'un feu.**

3. Portez toujours des gants protecteurs pour manipuler les brosses ou les tambours de raclage.
4. Enlevez toujours les poussières et saletés sur l'équipement. Pour cela, n'utilisez jamais d'essence, de benzine, de diluant, d'alcool, etc. Cela risquerait de causer la décoloration, la déformation ou la fissuration des composants de plastique.
5. Après chaque utilisation, serrez toutes les vis et tous les écrous, à l'exception des vis de réglage du carburateur.
6. Remplacez les brosses ou les tambours de raclage s'ils sont endommagés.
7. Ne tentez aucun travail d'entretien ou de réparation non décrit dans cette brochure ou dans le mode d'emploi de l'unité d'alimentation. Demandez à un centre de service après-vente agréé d'effectuer ce travail.
8. Suivez les instructions concernant le graissage et le remplacement des accessoires.
9. Utilisez toujours exclusivement des pièces de rechange et accessoires d'origine. L'utilisation de pièces ou d'accessoires d'un autre fabricant peut entraîner une panne d'équipement, des dommages matériels et/ou une grave blessure.
10. Demandez régulièrement à notre service après-vente agréé d'effectuer l'inspection et l'entretien de la machine.

Rangement

1. Avant de ranger la machine, effectuez son nettoyage et son entretien complets. Retirez le capuchon de bougie d'allumage ou la batterie. Vidangez le carburant après le refroidissement du moteur.
2. Rangez l'équipement dans un emplacement sec et élevé ou verrouillé, hors de portée des enfants.
3. N'appuyez pas l'équipement contre un mur ou un objet. Autrement il risque de tomber soudainement et d'entraîner une blessure.

Premiers soins

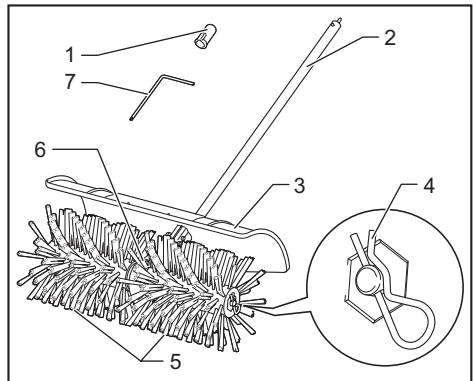
1. Veillez à toujours disposer d'une trousse de premiers soins à portée de la main, en cas d'accident. Remplacez immédiatement tout élément utilisé de la trousse de premiers soins.
2. Lorsque vous demandez de l'aide, donnez les renseignements suivants :
 - Lieu de l'accident
 - Ce qui s'est produit
 - Nombre de blessés
 - Types de blessure
 - Votre nom

CONSERVEZ CES INSTRUCTIONS.

▲ MISE EN GARDE : L'utilisation de ce produit peut générer des poussières contenant des produits chimiques qui peuvent causer des maladies respiratoires ou autres. Parmi ces produits chimiques figurent les composés que l'on trouve dans les pesticides, les insecticides, les fertilisants et les herbicides. Le risque lié à ces expositions varie suivant la fréquence d'exécution du type de travail en question. Pour réduire votre exposition à ces produits chimiques : travaillez dans une zone bien aérée et avec des dispositifs de sécurité approuvés, tels que des masques antipoussières spécialement conçus pour filtrer les particules microscopiques.

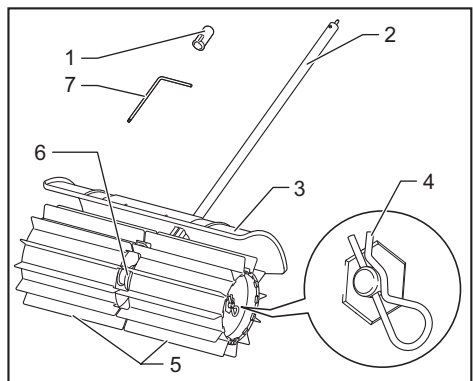
DESCRIPTION DES PIÈCES

Outil Balai Brosse



- 1. Capuchon 2. Tube 3. Protecteur 4. Attache
5. Brosse 6. Boîte d'engrenage 7. Clé hexalobulaire

Outil Balai Racleur



- 1. Capuchon 2. Tube 3. Protecteur 4. Attache
5. Tambour de raclage 6. Boîte d'engrenage 7. Clé hexalobulaire

ASSEMBLAGE

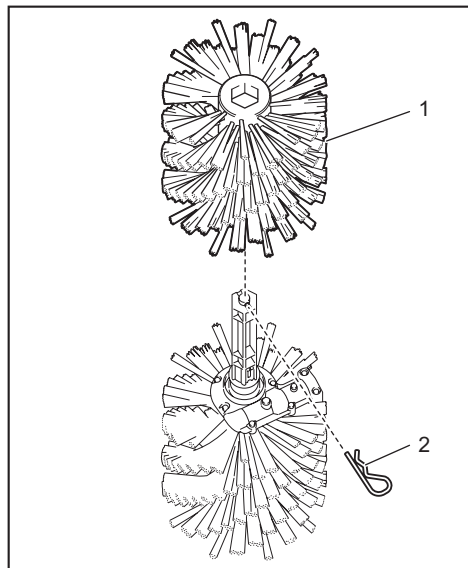
⚠ MISE EN GARDE : Avant d'assembler ou de régler l'équipement, coupez le moteur et retirez le capuchon de bougie d'allumage ou la batterie. Autrement, les brosses, tambours de raclage ou autres pièces pourraient bouger et entraîner une grave blessure.

⚠ MISE EN GARDE : Déposez toujours l'équipement avant de l'assembler ou de le régler. Assembler ou régler l'équipement en le laissant debout peut entraîner une grave blessure.

⚠ MISE EN GARDE : Respectez les mises en garde et prenez les précautions du chapitre « CONSIGNES DE SÉCURITÉ » et du manuel d'instructions de l'unité d'alimentation.

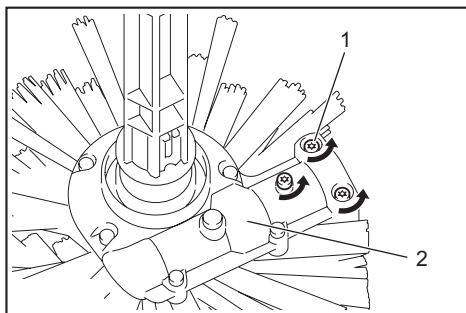
Assemblage de la fixation

1. Retirez l'attache de la brosse ou du tambour de raclage du côté gauche de l'unité de brosse ou de l'unité de tambour de raclage, puis retirez la brosse ou le tambour de raclage.



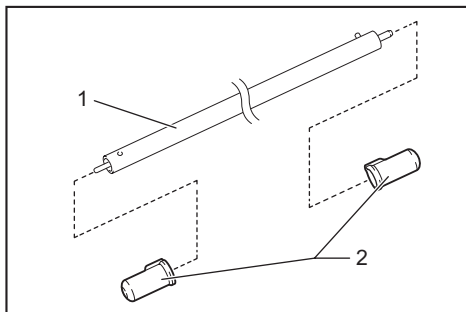
► 1. Brosse 2. Attache

2. Desserrez les trois vis sur la boîte d'engrenage.



► 1. Vis 2. Boîte d'engrenage

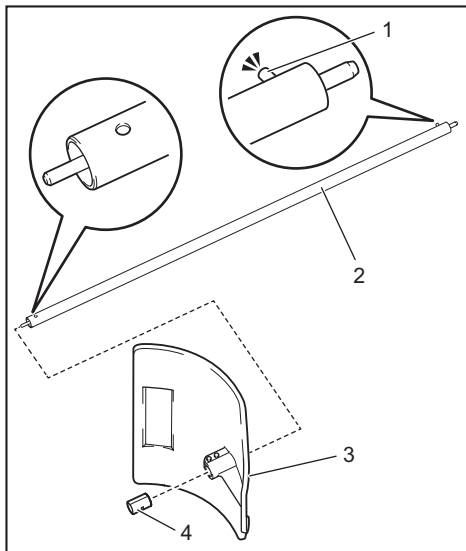
3. Retirez les deux capuchons, aux deux extrémités du tube.



► 1. Tube 2. Capuchon

AVIS : Ne jetez pas les capchons, car ils sont nécessaires pour ranger la fixation.

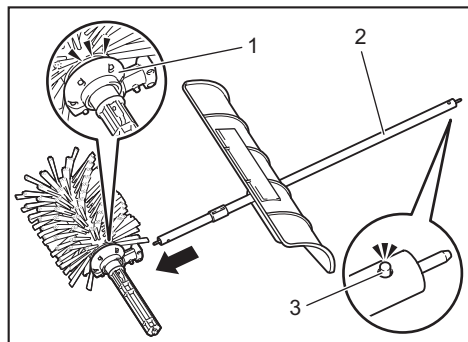
4. Fixez le protecteur et la manchon au tube.



► 1. Broche 2. Tube 3. Protecteur 4. Manchon

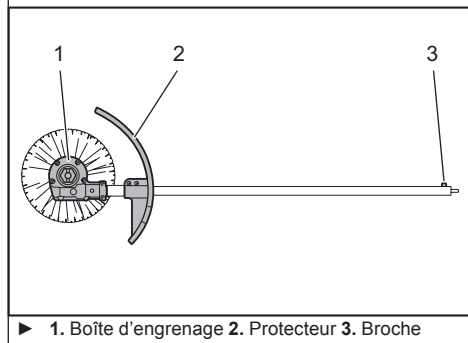
AVIS : Veillez à insérer l'extrémité du tube sans la broche, dans le protecteur et le manchon.

5. Veillez à ce que la boîte d'engrenage et la broche du tube soient orientées vers le haut, puis insérez le tube dans la boîte d'engrenage.



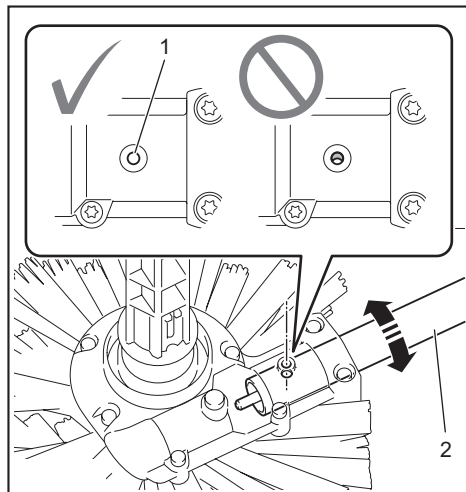
► 1. Boîte d'engrenage 2. Tube 3. Broche

AVIS : Veillez à ce que la boîte d'engrenage et la broche du tube soient orientées vers le haut, et à ce que le protecteur soit fixé dans le sens indiqué sur la figure.



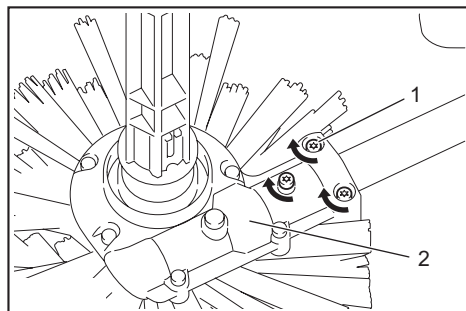
► 1. Boîte d'engrenage 2. Protecteur 3. Broche

6. En tournant le tube, alignez le trou de vis du tube sur le trou de la boîte d'engrenage.



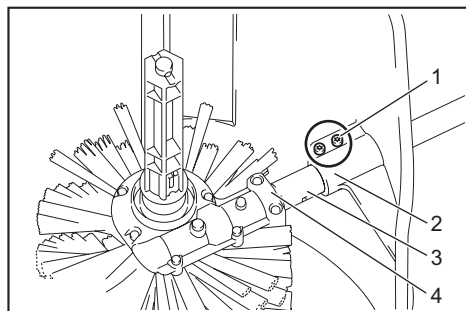
► 1. Trou 2. Tube

7. Serrez les trois vis sur la boîte d'engrenage.



► 1. Vis 2. Boîte d'engrenage

8. Serrez les deux vis sur le protecteur.



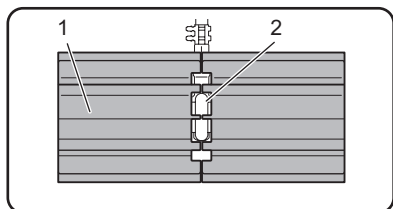
► 1. Vis 2. Protecteur 3. Manchon 4. Boîte d'engrenage

AVIS : Assurez-vous qu'il n'y a pas d'espace libre entre la boîte d'engrenage et le manchon, ainsi qu'entre le manchon et le protecteur.

9. Fixez la brosse ou le tambour de raclage à l'unité de brosse ou l'unité de tambour de raclage, puis fixez l'attache à la brosse ou au tambour de raclage.

AVIS : En fixant les brosses, veillez à le faire avec le logo Makita orienté vers l'extérieur.

AVIS : En fixant les tambours de raclage, veillez à le faire dans le sens indiqué sur la figure, de sorte que les tambours de raclage et la boîte d'engrenage s'engagent l'un dans l'autre.



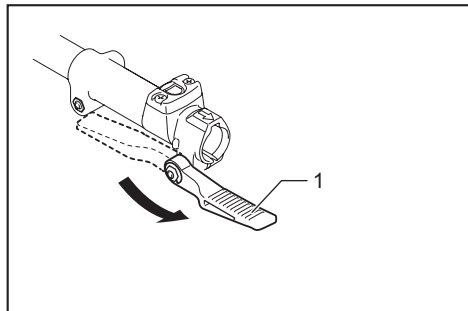
► 1. Tambour de raclage 2. Boîte d'engrenage

Montage du tube de fixation

ATTENTION : Après la pose, assurez-vous toujours que le tube de fixation est bien fixé. En cas de pose incorrecte, la fixation risque de se détacher de l'unité d'alimentation et d'entraîner une blessure.

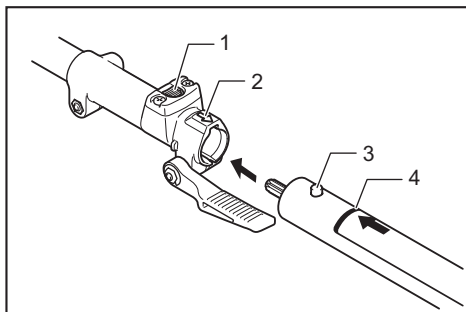
Montez le tube de fixation sur le groupe moteur.

1. Tournez le levier vers la fixation.



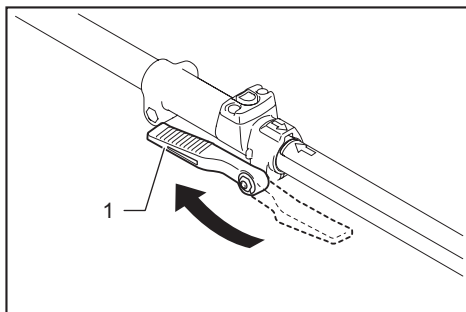
► 1. Levier

2. Alignez la broche sur la marque de flèche. Insérez le tube de fixation jusqu'à ce que le bouton de libération surgisse. Assurez-vous que la ligne de position est à l'extrémité de la marque de flèche.



► 1. Bouton de libération 2. Marque de flèche
3. Broche 4. Ligne de positionnement

3. Tournez le levier vers l'unité d'alimentation.

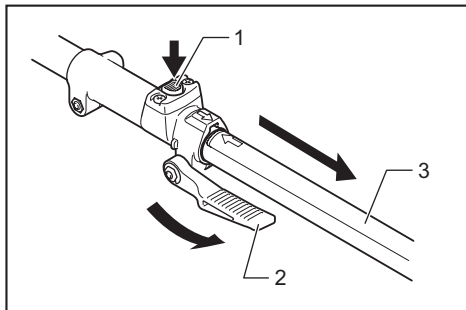


► 1. Levier

Assurez-vous que la surface du levier est parallèle au tube.

AVIS : Ne serrez pas le levier sans avoir inséré le tube de fixation. Autrement, le levier risque de trop serrer l'entrée de l'arbre d'entraînement et de l'endommager.

Pour retirer le tube, tournez le levier vers la fixation et tirez sur le tube tout en enfonçant le bouton de libération.



► 1. Bouton de libération 2. Levier 3. Tube

UTILISATION

⚠ MISE EN GARDE : Respectez les mises en garde et prenez les précautions du chapitre « CONSIGNES DE SÉCURITÉ » et du manuel d'instructions de l'unité d'alimentation.

⚠ MISE EN GARDE : Avant l'utilisation, ajustez l'attache et la sangle d'épaule sur une position confortable.

⚠ MISE EN GARDE : Portez un masque antipoussières et aérez bien la zone de travail. Certains matériaux contiennent des produits chimiques qui peuvent être toxiques. Prenez les précautions nécessaires pour éviter l'inhalation de ces poussières ou leur contact avec la peau.

⚠ ATTENTION : Avant l'utilisation, retirez les objets durs et/ou longs tels que pierres, canettes et cordes de la zone de travail. Ils peuvent endommager les brosses ou les tambours de raclage, ou gêner la rotation des brosses ou des tambours de raclage.

Si la surface à nettoyer est sèche, vaporisez de l'eau dessus pour réduire les poussières. Tenez le balai brosse / balai racleur avec un angle faible, et poussez-le à la vitesse à laquelle vous marchez.



⚠ ATTENTION : Plus l'angle est prononcé, plus il est difficile de maîtriser le balai brosse / balai racleur, et plus vous risquez d'être repoussé par ce dernier.

ENTRETIEN

⚠ MISE EN GARDE : Avant de procéder à l'inspection ou à l'entretien de l'équipement, coupez le moteur et retirez le capuchon de bougie d'allumage ou la batterie. Autrement, la brosse, le tambour de raclage ou d'autres pièces pourraient bouger et entraîner une grave blessure.

⚠ MISE EN GARDE : Déposez toujours l'équipement avant de procéder à l'inspection ou l'entretien. Assembler ou régler l'équipement en le laissant debout peut entraîner une grave blessure.

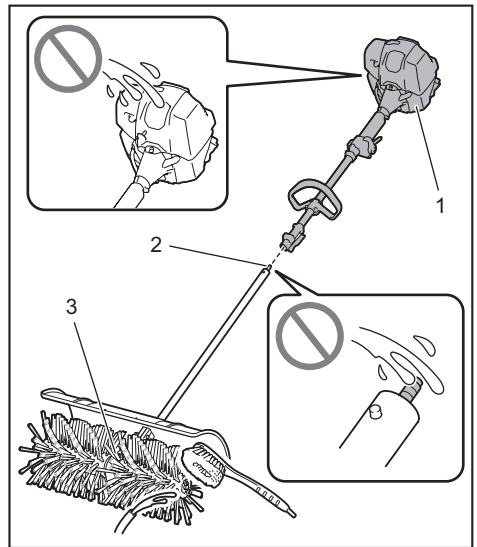
⚠ MISE EN GARDE : Respectez les mises en garde et prenez les précautions du chapitre « CONSIGNES DE SÉCURITÉ » et du manuel d'instructions de l'unité d'alimentation.

AVIS : N'utilisez jamais d'essence, de benzine, de solvant, d'alcool ou autres produits similaires. Une décoloration, une déformation ou la formation de fissures peuvent en découler.

Pour maintenir la SÉCURITÉ et la FIABILITÉ du produit, les réparations et tout autre travail d'entretien ou de réglage doivent être effectués dans un centre de service après-vente autorisé ou une usine Makita, exclusivement avec des pièces de rechange Makita.

Nettoyage de la fixation

La fixation peut être lavée avec de l'eau. Utilisez une brosse en nylon ou similaire pour enlever les saletés.



► 1. Unité d'alimentation 2. Extrémité du tube 3. Boîte d'engrenage

AVIS : Ne versez pas d'eau sur l'unité d'alimentation et sur l'extrémité du tube. Cela pourrait causer un dysfonctionnement de la fixation.

Pour faciliter le nettoyage, vous pouvez retirer la brosse ou le tambour de raclage de l'unité de brosse ou de l'unité de tambour de raclage. Reportez-vous aux instructions de remplacement des brosses ou des tambours de raclage dans ce manuel.

Inspection générale

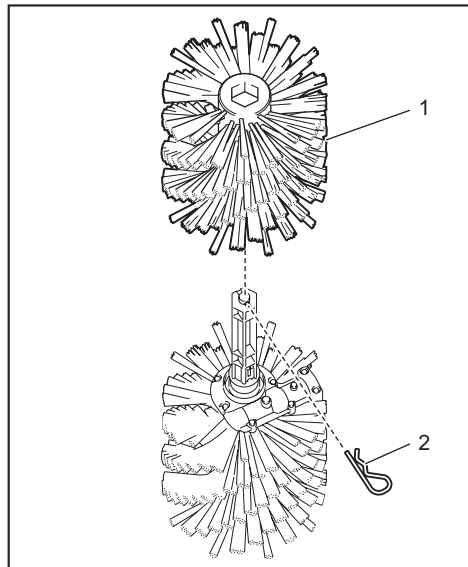
- Serrez les boulons, écrous et vis desserrés.
- Vérifiez l'absence de pièces, brosses ou tambours de raclage endommagés. Si nécessaire, demandez à un centre de service après-vente agréé de les remplacer.

Inspection des brosses, des tambours de raclage et du protecteur

Vérifiez et nettoyez les brosses, les tambours de raclage et le protecteur quotidiennement. Remplacez-les s'ils sont usés, pliés ou fissurés.

Remplacement des brosses ou des tambours de raclage

1. Retirez les attaches des brosses ou des tambours de raclage, puis retirez les brosses ou les tambours de raclage.

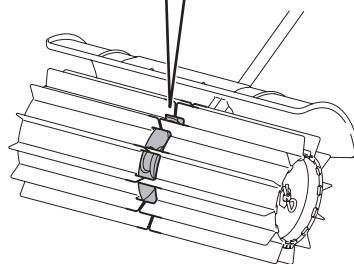
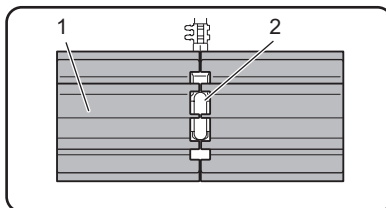


► 1. Brosse 2. Attache

2. Fixez les brosses ou les tambours de raclage à l'unité de brosse ou à l'unité de tambour de raclage, puis fixez les attaches.

AVIS : En fixant les brosses, veillez à le faire avec le logo Makita orienté vers l'extérieur.

AVIS : En fixant les tambours de raclage, veillez à le faire dans le sens indiqué sur la figure, de sorte que les tambours de raclage et la boîte d'engrenage s'engagent l'un dans l'autre.



► 1. Tambour de raclage 2. Boîte d'engrenage

Lubrification des pièces mobiles

AVIS : Suivez les instructions relatives à la fréquence et à la quantité de graisse fournie. Sinon, une lubrification insuffisante peut endommager les pièces mobiles.

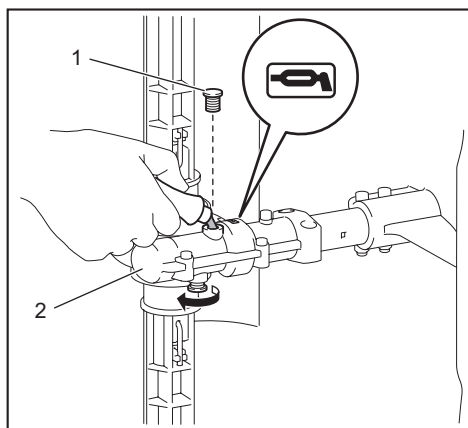
Boîte d'engrenage :

ATTENTION : N'appliquez pas de graisse lorsque la boîte d'engrenage est chaude. Une boîte d'engrenage chaude peut provoquer des blessures.

Mettez environ 30 ml de graisse (Shell Alvania 2 ou équivalente) uniformément dans le port de graissage toutes les 25 heures d'utilisation.

À l'aide de la clé hexabulbulaire fournie, retirez le boulon près de la marque de lubrification sur la boîte d'engrenage. Desserrez le boulon de l'autre côté, de sorte que l'air présent dans la boîte d'engrenage puisse être libéré lors de l'application de la graisse.

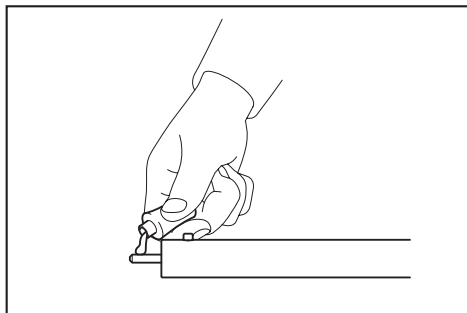
Après avoir appliqué la graisse, pensez à serrer les boulons.



► 1. Boulon 2. Boîte d'engrenage

Axe d'entraînement :

Appliquez de la graisse (Shell Alvania N° 2 ou équivalente) toutes les 25 heures d'utilisation.

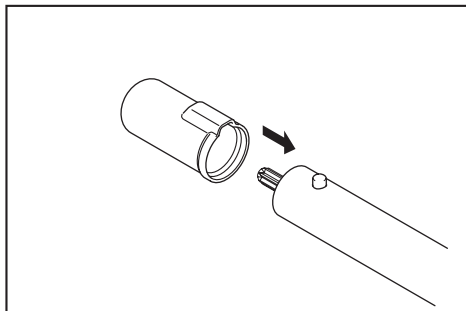


NOTE : Vous pouvez vous procurer de la graisse Makita authentique chez votre détaillant Makita local.

Rangement

⚠ MISE EN GARDE : Respectez les mises en garde et prenez les précautions du chapitre « CONSIGNES DE SÉCURITÉ » et du manuel d'instructions de l'unité d'alimentation.

Lorsque vous rangez la fixation séparément de l'unité d'alimentation, mettez le capuchon sur l'extrémité de l'arbre.



Intervalle d'inspection et de maintenance

Heures d'utilisation		Avant l'utilisation	Quotidiennement (10 h)	25 h
Toute l'unité	Inspectez visuellement les pièces endommagées.	✓	-	-
Toutes les vis de fixation et tous les écrous	Serrer	✓	-	-
Brosses, tambours de raclage et protecteur	Nettoyez les pièces et vérifiez visuellement l'absence de dommages.	-	✓	-
Boîte d'engrenage	Graissez.	-	-	✓
Axe d'entraînement	Graissez.	-	-	✓
Unité d'alimentation	Reportez-vous au manuel d'instructions de l'unité d'alimentation.			

DÉPANNAGE

Avant de faire une demande de réparation, faites d'abord votre propre inspection. Si vous rencontrez un problème non recensé dans ce manuel, n'essayez pas de démonter la machine. Demandez plutôt à un centre de service après-vente Makita agréé de faire la réparation avec des pièces de rechange Makita.

État anormal	Cause probable (dysfonctionnement)	Solution
Le moteur ne démarre pas.	-	Reportez-vous au manuel d'instructions de l'unité d'alimentation.
Le moteur s'arrête peu après le démarrage.	-	Reportez-vous au manuel d'instructions de l'unité d'alimentation.
Le moteur n'accélère pas.	-	Reportez-vous au manuel d'instructions de l'unité d'alimentation.
Les brosses ou les tambours de raclage ne tournent pas. ⇒ Coupez immédiatement le moteur.	Les tubes de l'unité d'alimentation et de la fixation ne sont pas bien connectés.	Connectez les tubes correctement.
	Les brosses ou les tambours de raclage ont attrapé un corps étranger.	Retirez le corps étranger.
	Système d'entraînement anormal	Contactez un centre de service après-vente agréé pour faire réparer.
L'unité d'alimentation vibre de manière anormale. ⇒ Coupez immédiatement le moteur.	Les brosses ou les tambours de raclage sont pliés ou cassés.	Remplacez les brosses ou les tambours de raclage.
	Fixation lâche des brosses ou des tambours de raclage	Fixez fermement les attaches des brosses ou des tambours de raclage.
	Fixation irrégulière des brosses ou des tambours de raclage	Installez les brosses ou les tambours de raclage de la bonne façon.
	Système d'entraînement anormal	Contactez un centre de service après-vente agréé pour faire réparer.
Les brosses ou les tambours de raclage continuent de tourner même après la libération de la gâchette ou du levier. ⇒ Coupez immédiatement le moteur.	L'unité d'alimentation ne fonctionne pas bien.	Ajustez la vitesse de ralenti si l'unité d'alimentation est actionnée par un moteur à essence. Contactez un centre de service après-vente agréé pour faire réparer.

ESPECIFICACIONES

Modelo:	BR400MP
Dimensiones: largo x ancho x alto (con cepillos)	1 145 mm x 600 mm x 362 mm (45" x 23-5/8" x 14-1/4")
Peso neto	6,3 kg (13,9 lbs)
Ancho del cepillo	600 mm (23-5/8")
Diámetro externo del cepillo	250 mm (9-7/8")

Modelo:	SW400MP
Dimensiones: largo x ancho x alto (con rodillos de barrido)	1 159 mm x 600 mm x 362 mm (45-1/2" x 23-5/8" x 14-1/4")
Peso neto	7,2 kg (15,8 lbs)
Ancho del rodillo de barrido	590 mm (23-1/4")
Diámetro externo del rodillo de barrido	265 mm (10-3/8")

- Debido a nuestro programa continuo de investigación y desarrollo, las especificaciones aquí dadas están sujetas a cambios sin previo aviso.
- Las especificaciones pueden variar de país a país.

Unidad motorizada aprobada

Este accesorio está aprobado para usarse únicamente con la(s) siguiente(s) unidad(es) motorizada(s):

- Herramienta Multifuncional EX2650LH
- Herramienta Multifuncional Inalámbrica DUX60, XUX01

⚠ADVERTENCIA: Nunca utilice el accesorio con una unidad motorizada no aprobada. Una combinación no aprobada podría causar lesiones graves.

Símbolos

Los siguientes símbolos son utilizados en el accesorio y en este manual de instrucciones. Usted deberá entender estas definiciones.

	¡Ponga especial cuidado y atención!
	Lea el manual de instrucciones.
	¡Lleve puesto un casco protector así como protección en ojos y oídos!
	Use botas resistentes con suelas antide-rrapantes. ¡Se recomienda el uso de botas de seguridad con puntas de acero!
	Mantenga alejadas a las personas alrededor a por lo menos 5 m (17 ft) de distancia.
	Los cepillos o los rodillos de barrido giran en la dirección de la flecha.
	Superficies calientes - Quemaduras de los dedos o las manos.



Al acoplar los cepillos o los rodillos de barrido, asegúrese de que la caja de engranajes queda orientada hacia arriba.

Uso pretendido

BR400MP

Este accesorio se ha diseñado exclusivamente con la finalidad de barrer el suelo y los caminos en conjunción con una unidad motorizada aprobada. Nunca use el accesorio para ningún otro propósito. Hacer un mal uso del accesorio puede causar lesiones graves. Este accesorio está destinado al uso comercial.

SW400MP

Este accesorio se ha diseñado exclusivamente con la finalidad de limpiar materiales mojados, tales como hojas y tierra, así como de eliminar agua de superficies sólidas en conjunción con una unidad motorizada aprobada. Nunca use el accesorio para ningún otro propósito. Hacer un mal uso del accesorio puede causar lesiones graves. Este accesorio está destinado al uso comercial.

ADVERTENCIAS DE SEGURIDAD

Advertencias de seguridad para el cepillo motorizado / barredor motorizado

⚠ADVERTENCIA: Antes de usarlo, lea todas las advertencias de seguridad, instrucciones, ilustraciones y especificaciones proporcionadas con esta máquina así como el manual de instrucciones de la unidad motorizada. El no seguir todas las instrucciones indicadas abajo podría ocasionar un incendio y/o lesiones graves tanto al operador como a las personas alrededor.

Guarde todas las advertencias e instrucciones para su futura referencia.

Los términos "cepillo motorizado / barredor motorizado" y "máquina" en las advertencias y precauciones hacen referencia a la combinación del accesorio y la unidad motorizada. El término "motor" en las advertencias y precauciones hace referencia al motor o al motor eléctrico de la unidad motorizada.

Seguridad general

1. **Los operadores primerizos o sin experiencia deberán solicitar capacitación al distribuidor para familiarizarse con la operación de esta máquina. Nunca permita que los niños ni las personas con capacidades físicas, sensoriales o mentales reducidas, o que no cuenten con experiencia ni conocimientos o no estén familiarizadas con las instrucciones utilicen la máquina. Debe tenerse cuidado de que los niños no jueguen con la máquina.**
2. **Se recomienda prestar la máquina únicamente a personas que demuestren tener la experiencia necesaria. Siempre que preste la desbrozadora entregue también el manual de instrucciones.**
3. **Manténgase alerta, preste atención a lo que está haciendo y utilice su sentido común cuando opere la máquina. Nunca utilice la máquina si está cansado, se siente enfermo o está bajo la influencia de drogas, alcohol o medicamentos. Un momento de distracción mientras opera la máquina podría ocasionar lesiones personales graves.**
4. **Evite usar la máquina en condiciones de mal clima, especialmente cuando exista riesgo de rayos.**
5. **Tome en cuenta los reglamentos nacionales y locales relativos al uso de máquinas motorizadas en exteriores.**
6. **Nunca intente modificar la máquina.**
7. **Tenga presente que el operador o usuario es responsable de los accidentes o peligros que le ocurran a otras personas o a su propiedad.**

Seguridad en el área de trabajo

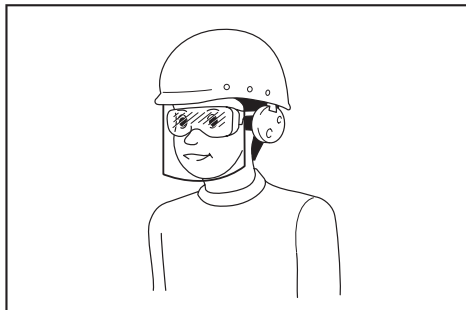
⚠️ ADVERTENCIA: Mantenga el cepillo motorizado / barredor motorizado alejado de las líneas eléctricas y los cables de comunicación. Tocar o acercarse a las líneas de alta tensión con el cepillo motorizado / barredor motorizado puede provocar la muerte o lesiones graves. Tenga cuidado con los cables eléctricos y las cercas eléctricas alrededor del área de trabajo antes de comenzar la operación.

1. **Opere la máquina únicamente en condiciones de buena visibilidad y a la luz del día. No opere la máquina en la oscuridad o la niebla.**
2. **Ponga en marcha y opere el motor únicamente en exteriores en un área bien ventilada. La operación en un área cerrada o con poca ventilación puede causar la muerte por asfixia o envenenamiento por monóxido de carbono.**

3. **Antes de la operación, examine el área de trabajo para ver si hay alambrados, piedras u otros objetos sólidos. Estos elementos pueden dañar los cepillos o los rodillos de barrido.**
4. **Durante la operación, nunca se coloque sobre una superficie inestable o resbalosa o una pendiente inclinada. Durante las estaciones de frío, tenga cuidado con el hielo y la nieve y siempre asegúrese de pisar sobre suelo firme.**
5. **Evite trabajar cerca de rejas y cepas o raíces de árboles. Estos elementos pueden dañar los cepillos o los rodillos de barrido.**
6. **Evite trabajar cerca de edificios, vehículos y otro tipo de bienes. Podrían sufrir daños por los impactos de piedras y desechos que podrían salir despedidos al ser golpeados por el cepillo motorizado / barredor motorizado.**
7. **Al limpiar superficies de materiales sintéticos podría generarse electricidad estática, y por tanto existe el riesgo de descargas eléctricas o de accidentes.**

Equipo de protección personal

1. **Use siempre pantalones largos pesados, botas resistentes, guantes y camisas de manga larga. Evite llevar ropa holgada, alhajas, shorts, sandalias o estar descalzo. Amarre su cabello de manera que éste quede sobre el nivel de los hombros.**
2. **Utilice siempre gafas protectoras para proteger sus ojos de lesiones al usar la máquina. Las gafas deben cumplir con las normas ANSI Z87.1 en EUA, EN 166 en Europa, o AS/NZS 1336 en Australia y Nueva Zelanda. En Australia y Nueva Zelanda es requerido por ley usar máscara protectora para proteger su cara también.**



Es responsabilidad del empleador obligar a los operadores de la herramienta y demás personas en el área de trabajo inmediata a usar equipos de protección adecuados.

3. **Utilice protección para los oídos tal como orejeras. La exposición al ruido puede producir pérdida auditiva.**
4. **Lleve siempre un calzado resistente con suela antiderrapante. Esto protegerá a sus pies de lesiones y asegurará que pise firmemente.**
5. **Utilice una máscara contra polvo si es necesario.**

Reabastecimiento

1. **Detenga el motor antes de efectuar el reabastecimiento. Manténgase alejado de las llamas expuestas y chispas. Nunca fume durante el reabastecimiento.** De lo contrario podría existir riesgo de incendio y/o explosión.
2. **Efectúe el reabastecimiento en exteriores.** Realizar el reabastecimiento en una habitación cerrada podría causar una explosión a causa del vapor de combustible.
3. **Evite el contacto con el combustible o el aceite del motor. No inhale el vapor de combustible. Si llegara a derramarse combustible o aceite, limpie la máquina y/o el suelo de inmediato. Si el combustible se derramara sobre su ropa, cámbiese inmediatamente para evitar que su ropa prenda fuego.**
4. **Después de efectuar el reabastecimiento, apriete con cuidado la tapa del tanque de combustible y verifique que no haya fugas de combustible. Aléjese a por lo menos 3 m (10 ft) de distancia tanto de la fuente como del sitio de abastecimiento antes de poner en marcha el motor.**
5. **Únicamente transporte y almacene combustible en contenedores aprobados. Matenga a los niños alejados del lugar donde el combustible está almacenado.**

Arranque del cepillo motorizado / barredor motorizado

1. **Antes de ensamblar o ajustar la máquina, apague el motor y retire la tapa de la bujía o el cartucho de batería.**
2. **Antes de manipular los cepillos o los rodillos de barrido, póngase guantes protectores.**
3. **Póngase el equipo de protección personal antes de arrancar el motor.**
4. **Antes de arrancar el motor, inspeccione la máquina para ver que no haya daños, tornillos/ tuercas flojas o un ensamblado incorrecto. Verifique que todas las palancas de control e interruptores se accionen fácilmente. Limpie y seque los mangos.**
5. **Nunca intente arrancar el motor si la máquina está dañada o no se ha ensamblado completamente con los protectores, placas y demás dispositivos protectores de seguridad adecuados. De lo contrario, esto podría ocasionar lesiones graves.**
6. **Antes de arrancar el motor, tenga cuidado de que los cepillos o los rodillos de barrido no estén en contacto con su cuerpo ni con otros objetos. Arrancar el motor con los cepillos o los rodillos de barrido haciendo contacto con algún objeto puede causar un accidente grave.**
7. **Antes de arrancar el motor, asegúrese de que no haya ninguna persona o animal en el área de trabajo.**
8. **Ajuste el arnés para hombro y la empuñadura de mano para adaptarlos al tamaño del cuerpo del operador.**

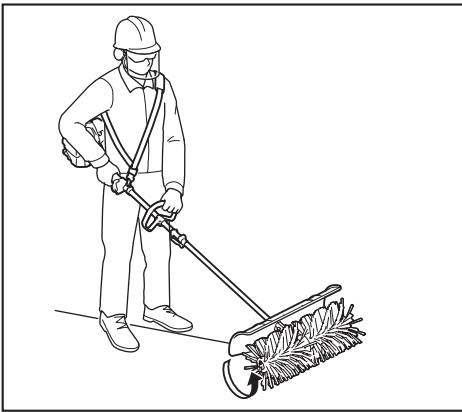
9. **Reemplace los cepillos o los rodillos de barrido si están agrietados, doblados o dañados.** Si los cepillos o los rodillos de barrido están dañados, podrían romperse durante la operación y ocasionar lesiones graves.
10. **Sólo ponga en marcha y opere la máquina en exteriores en un área bien ventilada.** La operación en un área cerrada o con poca ventilación puede causar la muerte por asfixia o envenenamiento por monóxido de carbono.
11. **Cuando vaya a arrancar el motor, coloque la máquina sobre suelo firme y luego mantenga el equilibrio pisando firmemente.**
12. **Al jalar la perilla del arrancador del motor, sostenga la unidad motorizada firmemente contra el suelo con su mano izquierda. Nunca se pare sobre el eje de transmisión de la unidad motorizada.**
13. **Si los cepillos o los rodillos de barrido giran al ralentí, detenga el motor y reduzca la velocidad de ralentí del motor.** De lo contrario, un contacto accidental con los cepillos o los rodillos de barrido en movimiento podría ocasionar lesiones graves.
14. **Detenga el motor de inmediato si observa cualquier problema con el mismo.**
15. **Siga el manual de instrucciones de la unidad motorizada para arrancar el motor.**

Transporte

1. **Apague el motor durante el transporte.** De lo contrario, un arranque accidental podría causar alguna lesión.
2. **Asegúrese de que la máquina esté en una posición segura cuando la transporte en un vehículo a fin de evitar fugas de combustible.**
3. **Levante la máquina por completo del suelo cuando vaya a transportarla.** Arrastrar la máquina podría provocar daños al tanque de combustible así como fugas de combustible ocasionando un incendio.
4. **Cuando transporte el equipo, cárguelo en posición horizontal sujetando el eje. Mantenga el silenciador caliente alejado de su cuerpo.**

Operación

1. **Durante la operación, mantenga a las personas o animales alrededor a por lo menos 5 m (17 ft) de distancia del cepillo motorizado / barredor motorizado. Detenga el motor en cuanto alguien se acerque.**
2. **En caso de emergencia, apague el motor de inmediato.**
3. **Si percibe cualquier condición inusual (p. ej., ruido o vibración) durante la operación, apague el motor. No utilice la máquina hasta que la causa haya sido reconocida y resuelta.**
4. **Con el motor funcionando únicamente al ralentí, coloque el arnés para hombro.**
5. **Durante la operación, utilice el arnés para hombro. Mantenga la máquina de su lado derecho con firmeza.**



6. Sujete el mango delantero con la mano izquierda y la empuñadura trasera con la mano derecha, sin importar si es derecho o zurdo. Rodee los mangos con sus dedos y pulgares.
7. Nunca intente operar la máquina con una mano. La pérdida de control podría ocasionar lesiones graves o fatales. Para reducir el riesgo de lesiones, mantenga manos y pies alejados de los cepillos o los rodillos de barrido.
8. Durante la operación, no levante los cepillos o los rodillos de barrido por encima de su cintura.
9. Los cepillos o los rodillos de barrido continuarán moviéndose durante un corto período después de soltar el gatillo del acelerador o de apagar el motor. No se apresure a tocar los cepillos o rodillos de barrido.
10. No utilice la herramienta donde no alcance. Mantenga los pies sobre suelo firme y el equilibrio en todo momento. Observe si hay obstáculos ocultos tales como cepas de árboles, raíces y zanjas para evitar tropezar.
11. Tenga extrema precaución al invertir la rotación del cepillo o el rodillo de barrido o al jalar la máquina hacia usted. Si la unidad motorizada cuenta con función de rotación inversa, evite usarla más de lo necesario. Si se opera con rotación inversa, el cepillo motorizado / barredor motorizado jalará del operador si los cepillos o los rodillos de barrido están sobre el suelo.
12. No sobrecargue la máquina ni rebase su capacidad intentando empujarla con demasiada fuerza o a una velocidad demasiado rápida. La máquina trabajará mejor si es utilizada con una carga adecuada y existe menos probabilidad de un riesgo de lesión.
13. No acelere el motor con los cepillos o los rodillos de barrido atorados. Esto incrementará la carga y dañará la máquina.
14. Si la máquina recibe un golpe fuerte o se cae, revise su estado antes de continuar el trabajo. Verifique que el sistema de combustible no presente fugas y que los controles y dispositivos de seguridad funcionen correctamente. En caso de daños o dudas, solicite la inspección y reparación a nuestro centro de servicio autorizado.

15. No toque la caja de engranajes. La caja de engranajes se calienta durante la operación.
16. Tome un descanso para evitar la pérdida de control a causa de la fatiga. Recomendamos tomar de 10 a 20 minutos de descanso cada hora.
17. Cuando vaya a dejar la máquina desatendida, aunque sea por poco tiempo, apague siempre el motor o retire el cartucho de batería. Si la máquina se deja desatendida con el motor funcionando, alguna persona no autorizada podría utilizarla y provocar un accidente grave.
18. Siga el manual de instrucciones de la unidad motorizada para el uso correcto de la palanca de control y el interruptor.
19. Durante o después de la operación, evite colocar la máquina caliente sobre césped seco o materiales combustibles.
20. Si los cepillos o los rodillos de barrido se obstruyen con algún objeto, apague el motor y retire el capuchón de la bujía o el cartucho de batería, y luego elimine las obstrucciones.
21. Mantenga las manos y los pies alejados de los cepillos o de los rodillos de barrido. El contacto con los cepillos o los rodillos de barrido puede ocasionar lesiones graves. Cuando vaya a manipular los cepillos o los rodillos de barrido, detenga el motor y retire el capuchón de la bujía o el cartucho de batería.
22. Durante la operación, inspeccione con frecuencia los cepillos o los rodillos de barrido para comprobar si están agrietados o dañados.
23. Siempre apague el motor o retire el cartucho de batería cuando vaya a retirar desechos u objetos de los cepillos o los rodillos de barrido.
24. Consulte el manual de instrucciones de la unidad motorizada para ver cómo arrancar el motor y controlar la máquina.

Vibración

La exposición a una vibración excesiva podría dañar los vasos sanguíneos o el sistema nervioso del operador y causar los siguientes síntomas en dedos, manos o muñecas: "Adormecimiento" (entumecimiento), hormigueo, dolor, sensaciones de punzadas, alteraciones en la piel o en el color de ésta. Si cualquiera de estos síntomas se presenta, consulte a un médico.

Para reducir el riesgo de la "enfermedad del dedo blanco", conserve sus manos calientes durante la operación y mantenga el equipo y accesorios en buenas condiciones.

Mantenimiento

1. Antes de realizar cualquier trabajo de mantenimiento, reparación o limpieza de la máquina, apague siempre el motor y retire la tapa de la bujía o el cartucho de batería. Espere hasta que el motor se enfríe.
2. Para reducir el riesgo de incendio, nunca dé servicio al equipo cerca del fuego.
3. Use siempre guantes protectores cuando manipule los cepillos o los rodillos de barrido.

4. Limpie siempre el polvo y la suciedad del equipo. Nunca utilice gasolina, bencina, disolvente, alcohol o sustancias similares para ese propósito. Esto podría ocasionar decoloración, deformación o grietas en los componentes de plástico.
5. Después de cada uso, apriete todos los tornillos y tuercas, excepto los tornillos de ajuste del carburador.
6. Reemplace los cepillos o los rodillos de barrido si están dañados.
7. No intente realizar ningún tipo de mantenimiento o reparación que no esté descrito en este folleto o en el manual de instrucciones de la unidad motorizada. Solicite este tipo de trabajo a nuestro centro de servicio autorizado.
8. Siga las instrucciones para la lubricación y el cambio de los accesorios.
9. Siempre utilice únicamente piezas de repuesto y accesorios originales. El uso de piezas o accesorios suministrados por un tercero podría provocar fallas en el equipo, daños materiales y/o lesiones graves.
10. Solicite a nuestro centro de servicio autorizado que inspeccione y dé mantenimiento a la máquina de manera periódica.

Almacenamiento

1. Antes de almacenar la máquina, realice una limpieza completa y déle mantenimiento. Retire la tapa de la bujía o el cartucho de batería. Drene el combustible una vez que el motor se haya enfriado.
2. Almacene el equipo en un lugar seco, en alto y bajo llave fuera del alcance de los niños.
3. No apoye el equipo contra algún objeto, tal como una pared. De lo contrario, podría caer repentinamente y causar una lesión.

Primeros auxilios

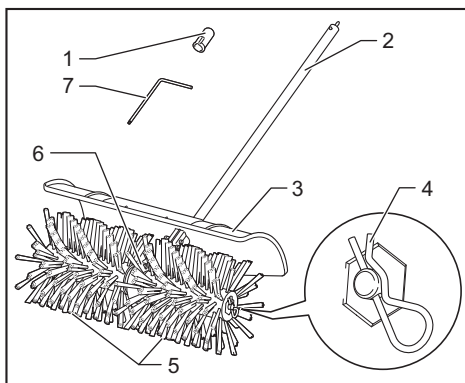
1. En caso de accidente, asegúrese de contar con un botiquín de primeros auxilios bien abastecido cerca del lugar donde se realicen las operaciones. Reemplace de inmediato cualquier artículo que se utilice del botiquín.
2. Cuando solicite ayuda, proporcione la siguiente información:
 - Lugar del accidente
 - Qué fue lo que ocurrió
 - Número de personas lesionadas
 - Tipo de lesiones
 - Su nombre

GUARDE ESTAS INSTRUCCIONES.

⚠ADVERTENCIA: El uso de este producto puede producir polvo que contenga sustancias químicas que podrían causar enfermedades respiratorias o de otro tipo. Algunos ejemplos de estas sustancias químicas son los compuestos encontrados en pesticidas, insecticidas, fertilizantes y herbicidas. El riesgo al que se expone varía, dependiendo de la frecuencia con la que realice este tipo de trabajo. Para reducir la exposición a estas sustancias químicas: trabaje en un área bien ventilada y use un equipo de seguridad aprobado, tal como las máscaras contra polvo que están especialmente diseñadas para filtrar partículas microscópicas.

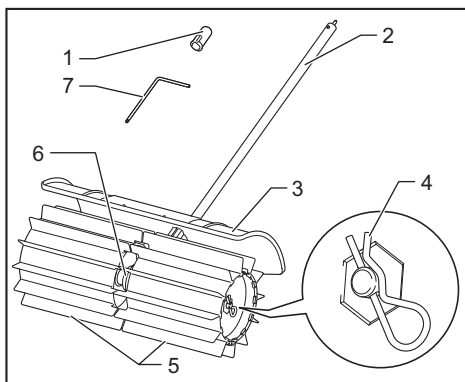
DESCRIPCIÓN DE LAS PIEZAS

Accesorio de Cepillado Motorizado



- 1. Tapa 2. Tubo 3. Protector 4. Horquilla 5. Cepillo 6. Caja de engranajes 7. Llave hexabulbar

Accesorio Barredor Motorizado



- 1. Tapa 2. Tubo 3. Protector 4. Horquilla 5. Rodillo de barrido 6. Caja de engranajes 7. Llave hexabulbar

MONTAJE

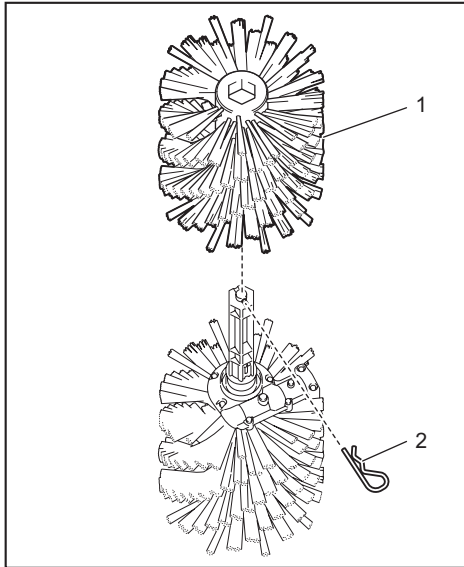
⚠ADVERTENCIA: Antes de ensamblar o ajustar el equipo, apague el motor y retire el capuchón de la bujía o el cartucho de batería. De lo contrario, los cepillos, los rodillos u otras piezas podrían moverse y ocasionar lesiones graves.

⚠ADVERTENCIA: Cuando ensamble o ajuste el equipo, déjelo siempre en el suelo. El ensamble o ajuste del equipo en una posición vertical podría ocasionar lesiones graves.

⚠ADVERTENCIA: Siga las advertencias y precauciones contenidas en el capítulo "ADVERTENCIAS DE SEGURIDAD" y el manual de instrucciones de la unidad motorizada.

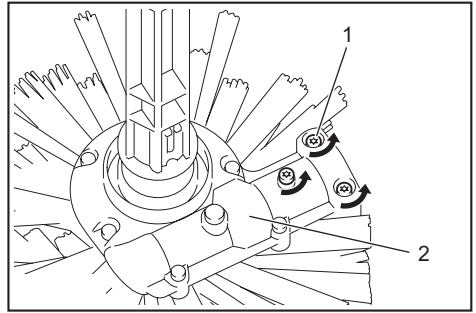
Ensamble del accesorio

1. Retire la horquilla del cepillo o del rodillo de barrido en el lado izquierdo de la unidad de cepillado o de barrido, y a continuación retire el cepillo o el rodillo de barrido.



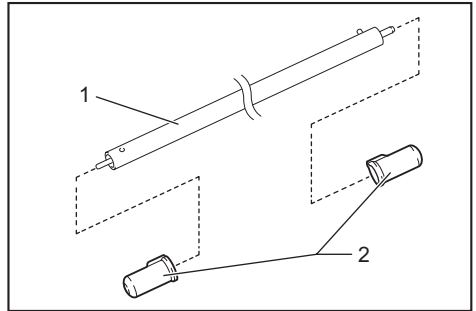
► 1. Cepillo 2. Horquilla

2. Afloje los 3 tornillos en la caja de engranajes.



► 1. Tornillo 2. Caja de engranajes

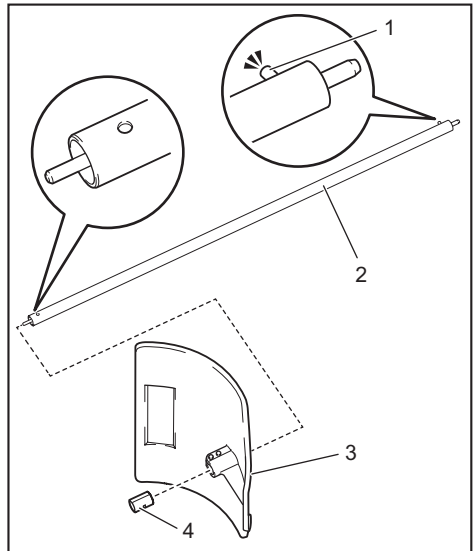
3. Retire las 2 tapas a ambos lados del tubo.



► 1. Tubo 2. Tapa

AVISO: No deseche las tapas, ya que hacen falta para guardar el accesorio.

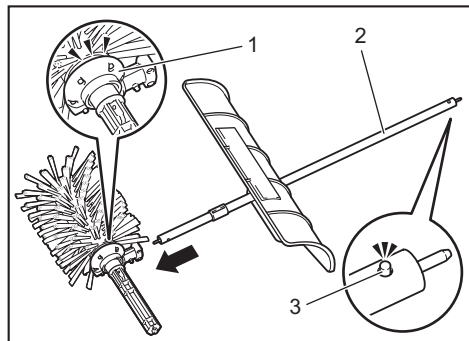
4. Acople el protector y el manguito al tubo.



► 1. Pasador 2. Tubo 3. Protector 4. Manguito

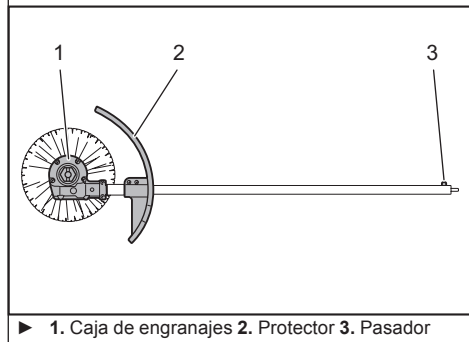
AVISO: Asegúrese de insertar el extremo del tubo sin el pasador en el protector y el manguito.

5. Asegúrese de que la caja de engranajes y el pasador del tubo estén orientados hacia arriba, y a continuación inserte el tubo en la caja de engranajes.



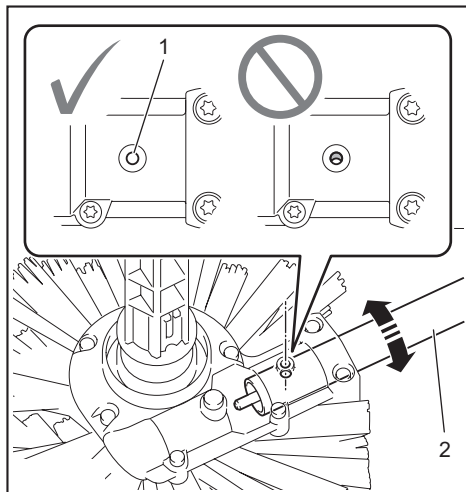
► 1. Caja de engranajes 2. Tubo 3. Pasador

AVISO: Asegúrese de que la caja de engranajes y el pasador del tubo estén orientados hacia arriba, y que el protector esté acoplado en la dirección mostrada en la figura.



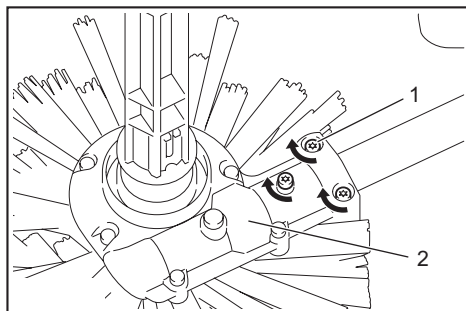
► 1. Caja de engranajes 2. Protector 3. Pasador

6. Girando el tubo, alinee el orificio del tornillo en el tubo con el orificio en la caja de engranajes.



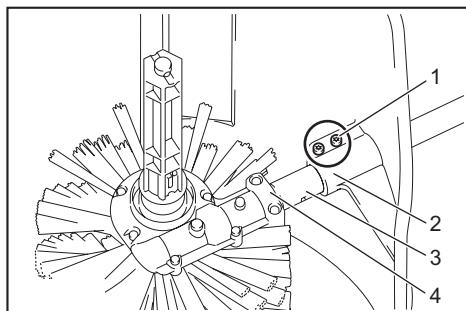
► 1. Orificio 2. Tubo

7. Apriete los 3 tornillos en la caja de engranajes.



► 1. Tornillo 2. Caja de engranajes

8. Apriete los 2 tornillos en el protector.



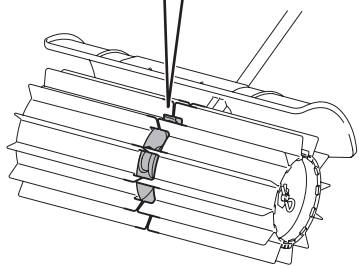
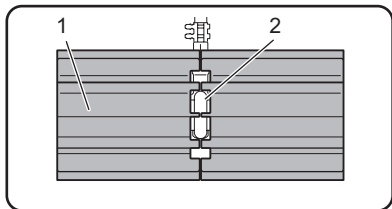
► 1. Tornillo 2. Protector 3. Manguito 4. Caja de engranajes

AVISO: Asegúrese de que no quede ningún espacio entre la caja de engranajes y el manguito, y entre el manguito y el protector.

9. Acople el cepillo o el rodillo de barrido a la unidad de cepillado o de barrido, y a continuación acople la horquilla al cepillo o al rodillo de barrido.

AVISO: Al acoplar los cepillos, asegúrese de que el logotipo de Makita quede orientado hacia afuera.

AVISO: Al acoplar los rodillos de barrido, asegúrese de hacerlo en la dirección mostrada en la figura, de modo que los rodillos de barrido y la caja de engranajes queden engranados.



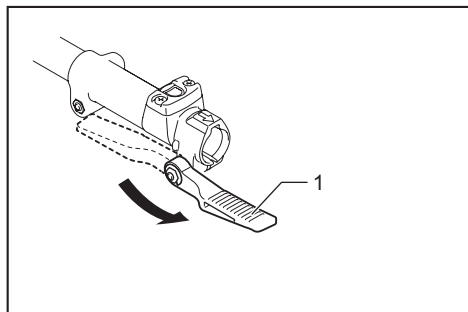
► 1. Rodillo de barrido 2. Caja de engranajes

Ensamble del aditamento del tubo

⚠PRECAUCIÓN: Verifique siempre que el aditamento del tubo quede asegurado después de la instalación. Una instalación incorrecta podría causar que el aditamento se desprendiera de la unidad motorizada ocasionando alguna lesión personal.

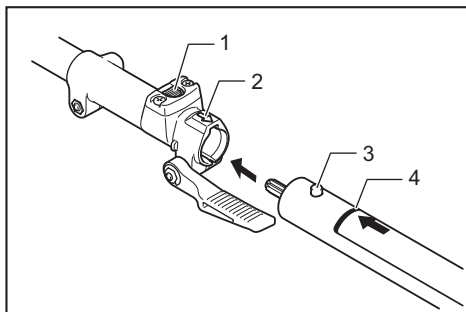
Ensamble el aditamento del tubo en la unidad motorizada.

1. Gire la palanca hacia el aditamento.



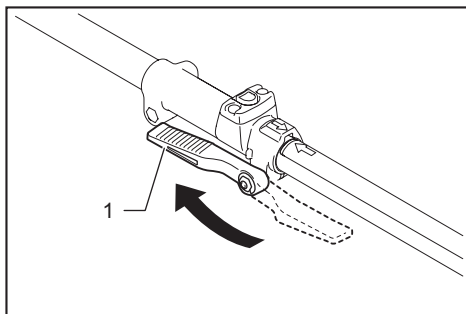
► 1. Palanca

2. Alinee el pasador con la marca de flecha. Inserte el aditamento del tubo hasta que el botón de liberación aparezca. Asegúrese de que la línea de posición esté en la punta de la marca de flecha.



► 1. Botón de liberación 2. Marca de flecha
3. Pasador 4. Línea de posición

3. Gire la palanca hacia la unidad motorizada.

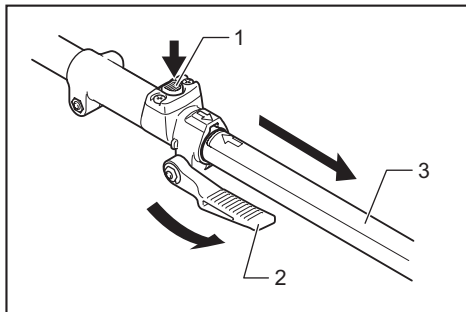


► 1. Palanca

Asegúrese de que la superficie de la palanca se encuentre paralela al tubo.

AVISO: No apriete la palanca sin que el aditamento del tubo esté insertado. De lo contrario, la palanca podría apretar demasiado la entrada del eje de transmisión y dañarla.

Para extraer el tubo, gire la palanca hacia el aditamento y jale el tubo hacia afuera mientras presiona hacia abajo el botón de liberación.



► 1. Botón de liberación 2. Palanca 3. Tubo

OPERACIÓN

⚠ADVERTENCIA: Siga las advertencias y precauciones contenidas en el capítulo “ADVERTENCIAS DE SEGURIDAD” y el manual de instrucciones de la unidad motorizada.

⚠ADVERTENCIA: Ajuste el colgador y el arnés para hombro en la posición que le resulte cómoda antes de la operación.

⚠ADVERTENCIA: Utilice una máscara contra el polvo y ventile bien el área de trabajo. Algunos materiales contienen sustancias químicas que pueden ser tóxicas. Tenga cuidado de evitar la inhalación de polvo y el contacto de los materiales con la piel.

⚠PRECAUCIÓN: Antes de la operación, retire los objetos duros y/o largos tales como piedras, latas y cuerdas del área de trabajo. Estos objetos pueden dañar los cepillos o los rodillos de barrido o dificultar su rotación.

Si la superficie que se desea limpiar está seca, rocíela con agua para reducir la emisión de polvo. Sujete el cepillo motorizado / barredor motorizado a un ángulo poco pronunciado, y empujelo a la velocidad a la que se camina.



⚠PRECAUCIÓN: Cuanto más pronunciado sea el ángulo, tanto más difícil será controlar el cepillo motorizado / barredor motorizado, y tanto más probable será que la unidad ofrezca resistencia al avance.

MANTENIMIENTO

⚠ADVERTENCIA: Antes de inspeccionar o dar mantenimiento al equipo, apague el motor y retire el capuchón de la bujía o el cartucho de batería. De lo contrario, el cepillo, el rodillo de barrido u otras piezas podrían moverse y ocasionar lesiones graves.

⚠ADVERTENCIA: Cuando inspeccione o dé mantenimiento al equipo, déjelo siempre en el suelo. El ensamble o ajuste del equipo en una posición vertical podría ocasionar lesiones graves.

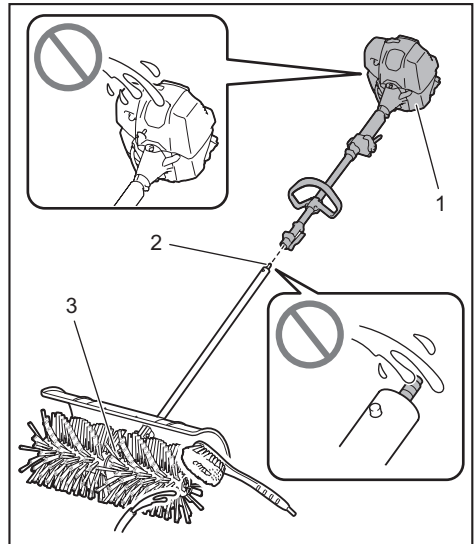
⚠ADVERTENCIA: Siga las advertencias y precauciones contenidas en el capítulo “ADVERTENCIAS DE SEGURIDAD” y el manual de instrucciones de la unidad motorizada.

AVISO: Nunca use gasolina, bencina, diluyente (tíner), alcohol o sustancias similares. Puede que esto ocasione grietas o descoloramiento.

Para mantener la SEGURIDAD y FIABILIDAD del producto, las reparaciones, y cualquier otra tarea de mantenimiento o ajuste deberán ser realizadas en centros de servicio autorizados o de fábrica Makita, empleando siempre repuestos Makita.

Limpieza del accesorio

El accesorio puede lavarse con agua. Utilice un cepillo de nailon u objeto similar para limpiar la suciedad.



► 1. Unidad motorizada 2. Extremo del tubo 3. Caja de engranajes

AVISO: No vierta agua sobre la unidad motorizada y el extremo del tubo. Esto podría causar una avería en el accesorio.

Para facilitar la limpieza, puede retirar el cepillo o el rodillo de barrido de la unidad de cepillado o de barrido. Consulte las instrucciones de este manual para reemplazar los cepillos o los rodillos de barrido.

Inspección general

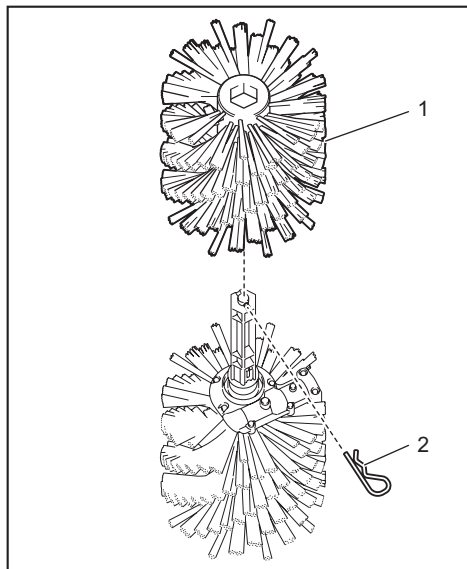
- Apriete los pernos, tuercas y tornillos flojos.
- Revise que las piezas, los cepillos o los rodillos de barrido no estén dañados. Solicite su reemplazo a nuestro centro de servicio autorizado en caso necesario.

Inspección de los cepillos, los rodillos de barrido y el protector

Revise y limpie los cepillos, los rodillos de barrido y el protector diariamente. En caso de estar desgastados, doblados y agrietados, reemplácelos.

Reemplazo de los cepillos o los rodillos de barrido

1. Retire las horquillas de los cepillos o los rodillos de barrido y a continuación retire los cepillos o los rodillos de barrido.

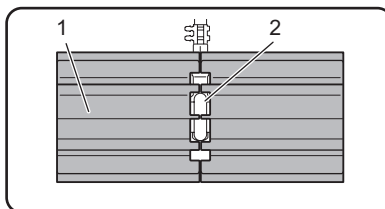


► 1. Cepillo 2. Horquilla

2. Acople los cepillos o los rodillos de barrido a la unidad de cepillado o de barrido, y a continuación acople las horquillas.

AVISO: Al acoplar los cepillos, asegúrese de que el logotipo de Makita quede orientado hacia afuera.

AVISO: Al acoplar los rodillos de barrido, asegúrese de hacerlo en la dirección mostrada en la figura, de modo que los rodillos de barrido y la caja de engranajes queden engranados.



► 1. Rodillo de barrido 2. Caja de engranajes

Lubricación de las piezas móviles

AVISO: Siga la instrucción sobre la frecuencia y cantidad de grasa suministrada. De lo contrario, una lubricación insuficiente podría dañar las piezas móviles.

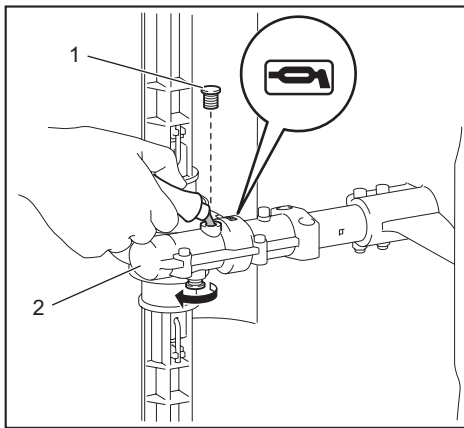
Caja de engranajes:

⚠PRECAUCIÓN: No aplique la grasa cuando la caja de engranajes esté caliente. Una caja de engranajes caliente puede provocar lesiones por quemaduras.

Vierta aprox. 30 ml de grasa (Shell Alvania 2 o equivalente) de manera uniforme a través del puerto de suministro de grasa cada 25 horas de operación.

Con la llave hexalobular suministrada, retire el perno cerca de la marca de lubricación en la caja de engranajes. Afloje el perno del otro lado a fin de que el aire en la caja de engranajes pueda ser liberado al aplicar la grasa.

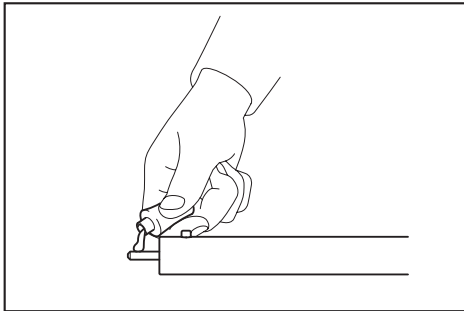
Después de aplicar la grasa, asegúrese de apretar los pernos.



► 1. Perno 2. Caja de engranajes

Eje de transmisión:

Aplique grasa (Shell Alvania No. 2 o equivalente) cada 25 horas de operación.

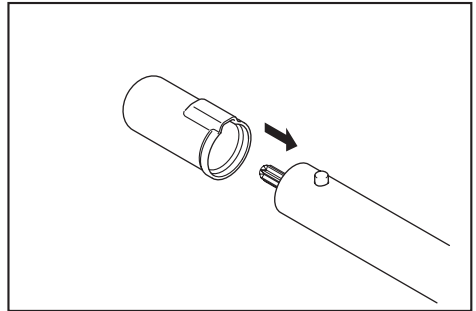


NOTA: Usted puede adquirir grasa original de Makita con el distribuidor Makita de su localidad.

Almacenamiento

⚠ADVERTENCIA: Siga las advertencias y precauciones contenidas en el capítulo “ADVERTENCIAS DE SEGURIDAD” y el manual de instrucciones de la unidad motorizada.

Cuando almacene el accesorio separado de la unidad motorizada, coloque la tapa en el extremo del eje.



Intervalo de inspección y mantenimiento

Hora de operación		Antes de la operación	Diariamente (10 h)	25 hras
Toda la unidad	Inspeccionar visualmente en busca de piezas dañadas	✓	-	-
Todos los tornillos y tuercas de fijación	Apretar	✓	-	-
Cepillos, rodillos de barrido y protector	Limpiar e inspeccionar visualmente en busca de piezas dañadas	-	✓	-
Caja de engranajes	Suministrar grasa	-	-	✓
Eje de transmisión	Suministrar grasa	-	-	✓
Unidad motorizada	Consultar el manual de instrucciones de la unidad motorizada			

RESOLUCIÓN DE PROBLEMAS

Antes de solicitar algún servicio de reparación, primero realice su propia inspección. Si detecta algún problema que no está explicado en el manual, no intente desmantelar la máquina. En vez de esto, póngase en contacto con un centro de servicio autorizado Makita, usando siempre piezas de repuesto Makita para la reparación.

Estado de la anomalía	Causa probable (avería)	Remedio
El motor no arranca.	-	Consulte el manual de instrucciones de la unidad motorizada.
El motor se detiene enseguida.	-	Consulte el manual de instrucciones de la unidad motorizada.
La velocidad del motor no se incrementa.	-	Consulte el manual de instrucciones de la unidad motorizada.
Los cepillos o los rodillos de barrido no giran. ⇒ Detenga el motor de inmediato.	Los tubos de la unidad motorizada y el accesorio no están conectados correctamente.	Conecte los tubos de manera correcta.
	Los cepillos o los rodillos de barrido se han atorado con algún objeto.	Retire el objeto extraño.
	Sistema de accionamiento anómalo	Solicite la reparación a un centro de servicio autorizado.
La unidad motorizada vibra de forma anormal. ⇒ Detenga el motor de inmediato.	Los cepillos o los rodillos de barrido están doblados o rotos.	Reemplace los cepillos o los rodillos de barrido.
	Acoplamiento flojo de los cepillos o los rodillos de barrido.	Acople firmemente las horquillas de los cepillos o los rodillos de barrido.
	Acoplamiento incorrecto de los cepillos o los rodillos de barrido	Instale correctamente los cepillos o los rodillos de barrido.
	Sistema de accionamiento anómalo	Solicite la reparación a un centro de servicio autorizado.
Los cepillos o los rodillos de barrido continúan girando aun después de haber soltado el gatillo interruptor/palanca. ⇒ Detenga el motor de inmediato.	La unidad motorizada no funciona correctamente.	Ajuste la velocidad de ralentí si la unidad motorizada es operada mediante un motor de gasolina. Solicite la reparación a un centro de servicio autorizado.

Makita Corporation
3-11-8, Sumiyoshi-cho,
Anjo, Aichi 446-8502 Japan
www.makita.com

885649-942
BR400MP-1
EN, FRCA, ESMX
20180227