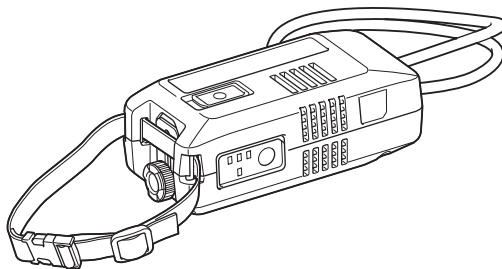




EN	Wireless Unit Adaptor	INSTRUCTION MANUAL	2
FRCA	Adaptateur Sans Fil	MANUEL D'INSTRUCTION	10
ESMX	Adaptador de Transmisión Inalámbrica	MANUAL DE INSTRUCCIONES	19
PTBR	Adaptador para Unidade de Comunicação sem Fio (Wireless)	MANUAL DE INSTRUÇÕES	28

WUT02



SPECIFICATIONS

Model:	WUT02
Dimensions (L x W x H)	154 mm x 71 mm x 57 mm (6-1/16" x 2-3/4" x 2-1/4")
Net weight	0.41 kg (0.90 lbs)

- Due to our continuing program of research and development, the specifications herein are subject to change without notice.
- Specifications may differ from country to country.

FCC statement

This device complies with part 15 of the FCC Rules. Operation is subject to the following two conditions: (1) This device may not cause harmful interference, and (2) this device must accept any interference received, including interference that may cause undesired operation.

NOTE: This equipment has been tested and found to comply with the limits for a Class B digital device, pursuant to part 15 of the FCC Rules. These limits are designed to provide reasonable protection against harmful interference in a residential installation. This equipment generates, uses and can radiate radio frequency energy and, if not installed and used in accordance with the instructions, may cause harmful interference to radio communications. However, there is no guarantee that interference will not occur in a particular installation. If this equipment does cause harmful interference to radio or television reception, which can be determined by turning the equipment off and on, the user is encouraged to try to correct the interference by one or more of the following measures:

- Reorient or relocate the receiving antenna.
- Increase the separation between the equipment and receiver.
- Connect the equipment into an outlet on a circuit different from that to which the receiver is connected.
- Consult the dealer or an experienced radio/TV technician for help.

FCC CAUTION





Changes or modifications not expressly approved by the party responsible for compliance could void the user's authority to operate the equipment.

Makita U.S.A. Inc.
14930 Northam Street, La Mirada, CA 90638-5753, USA
+1-(714) 522-8088

CAN ICES-3 (B)/NMB-3(B)

Symbols

The followings show the symbols used for the equipment. Be sure that you understand their meaning before use.

	Take particular care and attention.
	Read the instruction manual.
	DOUBLE INSULATION
	Do not expose to moisture.

SAFETY WARNINGS

NOTE: The wireless unit adaptor is hereinafter referred to as "adaptor" in this instruction manual.

⚠WARNING: Be sure to thoroughly read and understand this instruction manual as well as the instruction manuals of the vacuum cleaner, tool, and wireless unit to be used with this product. Failure to follow the warnings and instructions may result in electric shock, fire and/or serious injury.

Important safety instructions for the adaptor and wireless unit

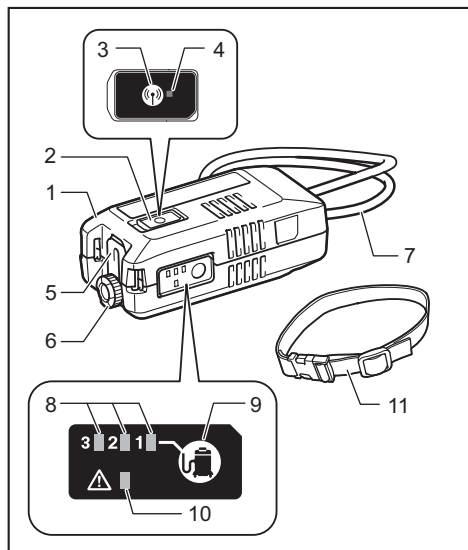
1. **Do not disassemble or tamper with the wireless unit and the adaptor.**
2. **Keep the wireless unit and adaptor away from young children.** If the wireless unit is accidentally swallowed, seek medical attention immediately.
3. **Use the wireless unit only with Makita tools.**
4. **Never handle the adaptor with wet hands.** Doing so may cause electric shock.
5. **Do not block the vents on the adaptor.**
6. **Do not use the adaptor's cord for carrying and unplugging.**
7. **Do not expose the wireless unit and the adaptor to rain or wet conditions.** Liquid come inside the appliance may cause malfunction and/or electric shock.
8. **Do not use the wireless unit in places where the temperature exceeds 50°C (122°F).**
9. **Do not operate the wireless unit in places where medical instruments, such as heart pace makers are near by.**
10. **Do not operate the wireless unit in places where automated devices are near by.** If operated, automated devices may develop malfunction or error.
11. **Do not operate the wireless unit in places under high temperature or places where static electricity or electrical noise could be generated.**
12. **The wireless unit can produce electromagnetic fields (EMF) but they are not harmful to the user.**
13. **The wireless unit is an accurate instrument. Be careful not to drop or strike the wireless unit.**
14. **Avoid touching the terminal of the wireless unit with bare hands or metallic materials.**

15. Always remove the battery on the product when installing the wireless unit into it.
16. When opening the lid of the slot, avoid the place where dust and water may come into the slot. Always keep the inlet of the slot clean.
17. Always insert the wireless unit in the correct direction.
18. Do not press the wireless activation button on the wireless unit too hard and/or press the button with an object with a sharp edge.
19. Always close the lid of the slot when operating.
20. Do not remove the wireless unit from the slot while the power is being supplied. Doing so may cause a malfunction of the wireless unit.
21. Do not remove the sticker on the wireless unit.
22. Do not put any sticker on the wireless unit.
23. Do not leave the wireless unit in a place where static electricity or electrical noise could be generated.
24. Do not leave the wireless unit and the adaptor in a place subject to high heat, such as a car sitting in the sun.
25. Do not leave the wireless unit and the adaptor in a dusty or powdery place or in a place corrosive gas could be generated.
26. Sudden change of the temperature may bedew the wireless unit. Do not use the wireless unit until the dew is completely dried.
27. When cleaning the wireless unit, gently wipe with a dry soft cloth. Do not use benzine, thinner, conductive grease or the like.
28. When storing the wireless unit, keep it in the supplied case or a static-free container.
29. Do not insert any devices other than Makita wireless unit into the slot on the adaptor and the tool.
30. Do not use the tool and/or adaptor with the lid of the slot damaged. Water, dust, and dirt come into the slot may cause malfunction.
31. Do not pull and/or twist the lid of the slot more than necessary. Restore the lid if it comes off.
32. Replace the lid of the slot if it is lost or damaged.

SAVE THESE INSTRUCTIONS.

INTRODUCTION

Parts description



1	Adaptor	2	Lid
3	Wireless activation button	4	Wireless activation lamp
5	Hook	6	Clamping screw
7	Cord	8	Channel number indicator
9	Channel setting button	10	Caution lamp
11	Band	-	-

Intended use

This adaptor enables to use supported Makita battery-powered tools when using the auto start/stop function of a mains-operated vacuum cleaner. The adaptor connected to a Makita vacuum cleaner receives the signal from the tool wirelessly and transmit it to the vacuum cleaner to support to determine the starting or stopping of the vacuum cleaner. (wireless activation function)

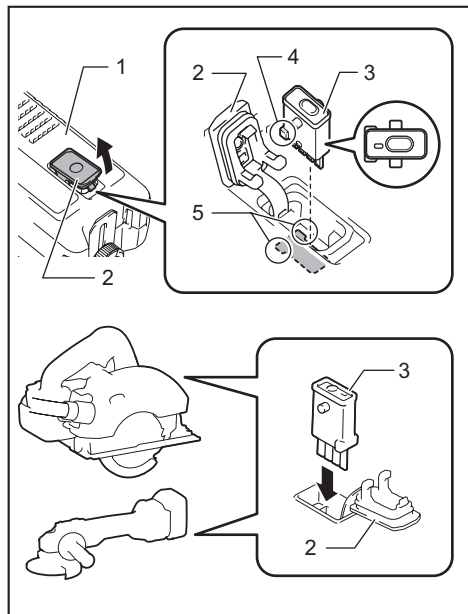
INITIAL SETUP

Installing the wireless unit

NOTE: The wireless unit is supplied as an optional accessory in some countries.

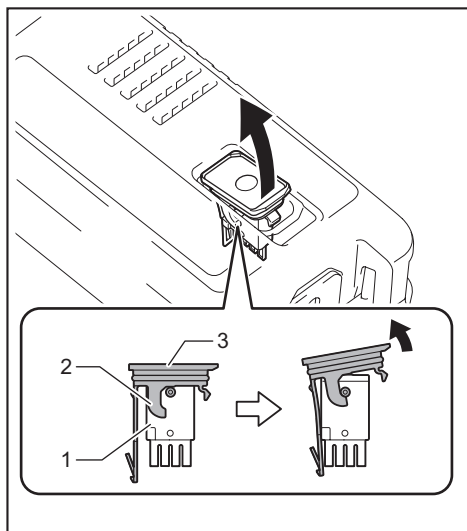
NOTICE: For the precautions for handling the wireless unit, refer to the instruction manual of the tool to be used with this adaptor.

Install the wireless units into the adaptor and tool as illustrated. When inserting the wireless unit, align the projections with the recessed portions on the slot.



- 1. Adaptor 2. Lid 3. Wireless unit 4. Projection 5. Recessed portion

To remove the wireless unit, open the lid slowly. The hooks on the back of the lid will lift the wireless unit as you pull up the lid.



- 1. Wireless unit 2. Hook 3. Lid

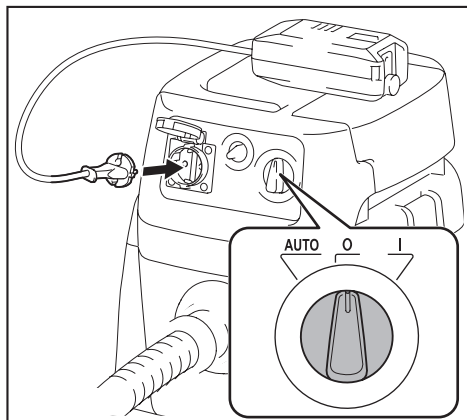
After removing the wireless unit, keep it in the supplied case or a static-free container.

NOTICE: Always use the hooks on the back of the lid when removing the wireless unit. If the hooks do not catch the wireless unit, close the lid completely and open it slowly again.

Installing the adaptor

NOTICE: Do not insert the adaptor's plug into the outlet of other appliances than the outlet of the vacuum cleaner for auto start/stop function.

Make sure that the stand-by switch on the vacuum cleaner is set to "O (OFF)". Plug the vacuum cleaner's power cord into the mains and then plug the adaptor's cord into the cleaner's outlet.



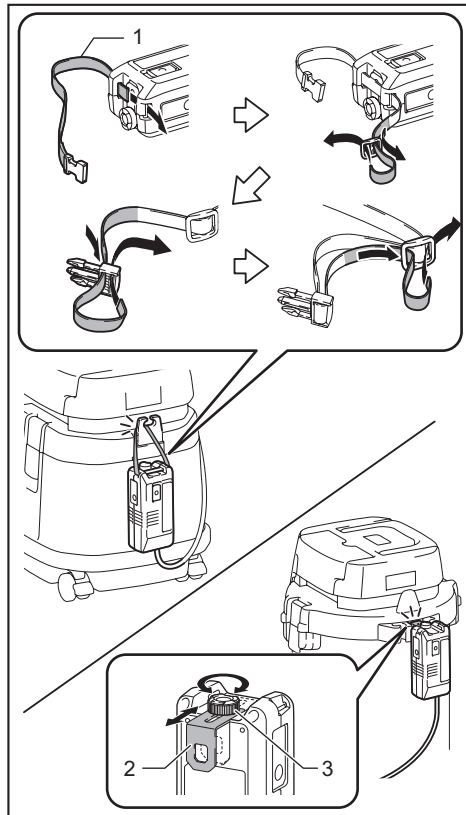
NOTE: Due to the detecting method of vacuum cleaner's auto start/stop function, some vacuum cleaner may automatically run for a few seconds when;

- Plugging the adaptor's cord when the stand-by switch on the vacuum cleaner is set to "AUTO" or equivalent or;
- Changing the stand-by switch on the vacuum cleaner to "AUTO" or equivalent with the adaptor's plug connected to the outlet of the vacuum cleaner.

This is not a malfunction.

To prevent the adaptor from falling off, always secure it with the band or hook, or place it on a stable surface. Use the band or hook for securing the adaptor onto the vacuum cleaner. To use the hook, loosen the clamping screw and extend the hook and then tighten the clamping screw.

When not using the adaptor, disconnect the adaptor's cord from the vacuum cleaner.



► 1. Band 2. Hook 3. Clamping screw

Tool registration for the adaptor

To register a tool to the adaptor (wireless unit), follow the instructions in the instruction manual of the tool to be used with this adaptor. Refer to the section about "tool registration".

NOTE: In the tool's instruction manual, follow the instructions by substituting the wireless activation button/lamp "on the vacuum cleaner" with "on the adaptor".

NOTE: Make sure that the wireless unit is installed to the adaptor and the adaptor is plugged into the outlet of the vacuum cleaner before starting tool registration.

NOTE: The tool registration information is saved to the wireless unit inserted to the adaptor. You can use a pair of wireless units, of which the tool registration has been finished, with another tool and vacuum cleaner.

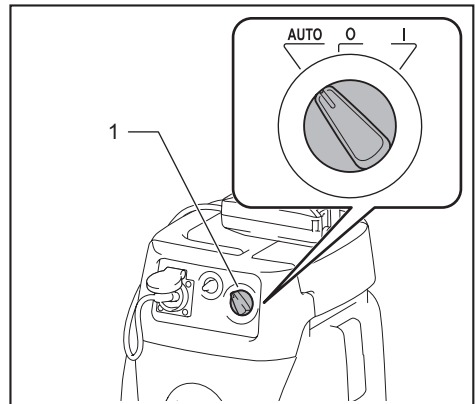
Channel setting

The suitable communication channel varies depending on the vacuum cleaner to be used with the adaptor. Perform the channel setting when;

- Using the adaptor for the first time or;
- Using another vacuum cleaner which have not been used with the adaptor.

NOTE: The last channel that you set will be saved even after you unplug the adaptor.

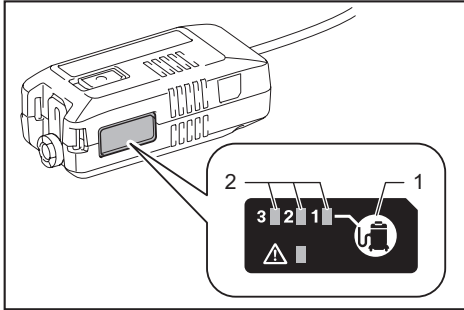
1. Set the stand-by switch on the vacuum cleaner to "AUTO".



► 1. Stand-by switch

NOTE: On some cleaners, the stand-by switch "AUTO" is described as an icon or different word. In this case, set the vacuum cleaner to auto start/stop function.

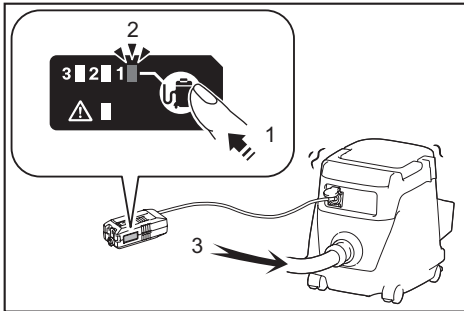
- Confirm the number beside the lighted channel number indicator. It is the channel number currently being selected.



- 1. Channel setting button 2. Channel number indicator

- Push and hold the channel setting button for longer than 2 seconds for testing.

The channel number indicator will blink in green for 15 seconds.



- 1. Holding the channel setting button (2 seconds or longer) 2. Channel number indicator blinks (for 15 seconds) 3. Vacuum cleaner runs while the channel number indicator is blinking

- Check if the vacuum cleaner automatically runs correctly while the channel number indicator is blinking. If so, the channel setting is completed.

If the vacuum cleaner does not run or run incorrectly, go on to the next step.

NOTE: For example, when the vacuum cleaner runs incorrectly; the vacuum cleaner runs but stops soon or; the level of the suction power is different from the setting on the vacuum cleaner.

- Push the channel setting button briefly to select another channel number.
- Hold the channel setting button for longer than 2 seconds for testing and check if the vacuum cleaner runs correctly.

If not, repeat the step 5 to 6 again.

If the vacuum cleaner does not run in any of the channel number, the vacuum cleaner may not be supported or there may be a problem in the configuration.

OPERATION

For the following operations, refer to the instruction manual of the tool to be used with this adaptor:

- Starting the wireless activation function
- Cancelling tool registration

NOTE: In the tool's instruction manual, follow the instructions by substituting the wireless activation button/lamp "on the vacuum cleaner" with "on the adaptor".

NOTE: Before performing the above operations, be sure to;

- Install the wireless unit to the adaptor and;
- Plug the adaptor into the outlet of the vacuum cleaner with the stand-by switch on the vacuum cleaner "O (OFF)".

NOTE: The wireless transmission distance varies depending on the vacuum cleaner model to be used.

Erasing all tool registrations

You can erase all tool registrations from the adaptor (wireless unit) as follows.

- Make sure that the stand-by switch on the vacuum cleaner is set to "O (OFF)" and then plug the vacuum cleaner's power cord into the mains.
- Install the wireless units to the adaptor.
- Plug the adaptor's cord into the cleaner's outlet.
- Set the stand-by switch on the vacuum cleaner to "AUTO".

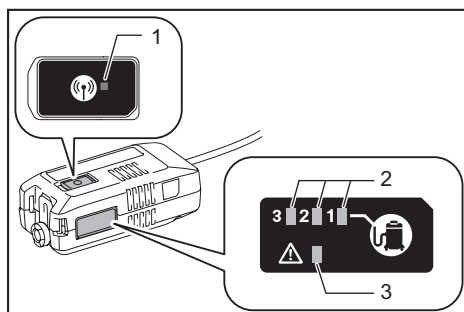
NOTE: On some cleaners, the stand-by switch "AUTO" is described as an icon or different word. In this case, set the vacuum cleaner to auto start/stop function.

- Hold down the wireless activation button on the adaptor for about 6 seconds until the wireless activation lamp blinks in red (about twice per one second).
- When the wireless activation lamp starts blinking in red, release your finger from the wireless activation button. Thereafter, hold down the wireless activation button again for about 6 seconds.
- When the wireless activation lamp starts blinking fast (about 5 times per one second) in red, release your finger from the wireless activation button. When the wireless activation lamp lights up in red and later lights off, all tool registrations are erased.

NOTE: If the wireless activation lamp does not blink in red, press the wireless activation button briefly and try again.

Description of the lamp status

Refer to the below table for the meaning of the lamp status.



► 1. Wireless activation lamp 2. Channel number indicator 3. Caution lamp

Lamp	Status	Color	■	▣	Duration	Description
			On	Blinking		
Wireless activation lamp	Standby	Blue	■	▣	Adaptor: continuing Tool: 2 hours	Waiting for the tool registration or the wireless activation function is available. The lamp on the adaptor blinks when the stand-by switch on the vacuum cleaner is set to "AUTO" or equivalent. The lamp on the tool blinks when the wireless activation button is pushed. The lamp on the tool will automatically turn off when no operation is performed for 2 hours.
			■		When the tool is running.	The wireless activation of the vacuum cleaner is available and the tool is running.
	Tool registration	Green	▣		20 seconds	Ready for the tool registration. Searching the tool to be registered.
			■		2 seconds	The tool registration has been finished. The wireless activation lamp will start blinking in blue.
	Cancelling/erasing tool registration	Red	▣		20 seconds	Ready for the cancellation of the tool registration. Searching the tool to be cancelled.
			▣		(slow: 2 times/sec.)	When the wireless activation button is pressed down.
			■		2 seconds	The tool registration has been cancelled/erased. The wireless activation lamp will start blinking in blue.
	Others	Red	■		3 seconds	The power is supplied to the wireless unit and the wireless activation function is starting up.
Off		-	-	-	The stand-by switch on the vacuum cleaner is not set to "AUTO" or equivalent.	
Channel number indicator	Channel number selection	Green	■		Continuing	The lighted channel number is selected.
	Testing	Green	▣		15 seconds	The adaptor is testing the communication to the vacuum cleaner through the selected channel number.
Caution lamp	Overheated or other trouble	Red	▣		Continuing	The adaptor is overheated or in other trouble. Unplug the adaptor from the vacuum cleaner. Clean the vents on the adaptor and cool it down for a while and then check if it works properly. If the adaptor does not work properly, contact our authorized service center for repairs.

Troubleshooting for wireless activation function

Before starting the troubleshooting, check following:

- The wireless unit is installed into the adaptor.
- The adaptor is plugged into the outlet of the vacuum cleaner.

Conduct your own inspection first before asking for repairs. Also refer to the troubleshooting section of tool's instruction manual.

If you find a problem that is not explained in the manual, do not attempt to dismantle the tool. Instead, ask Makita Authorized Service Centers, always using Makita replacement parts for repairs.

State of abnormality	Probable cause (malfunction)	Remedy
Cannot finish tool registration / cancelling tool registration successfully.	The tool registration procedures for the tool or adaptor has not been finished.	Perform the tool registration procedures for both the tool and the adaptor at the same timing.
The vacuum cleaner does not run along with the switch operation of the tool.	The wireless activation button on the tool has not been pushed.	Push the wireless activation button briefly and make sure that the wireless activation lamp is blinking in blue.
	The stand-by switch on the vacuum cleaner is not set to "AUTO".	Set the stand-by switch on the vacuum cleaner to "AUTO".
	The tool and adaptor is away from each other (out of the transmission range).	Get the tool and adaptor closer each other. The maximum transmission distance is approximately 10 m however it may vary according to the circumstances.
	Incorrect channel setting	The current channel setting is not appropriate for the vacuum cleaner being used. Refer to "Channel setting" for how to configure.
	Using a vacuum cleaner which is not supported.	Use a Makita cleaner with auto start/stop function.
	More than 10 tools are registered to the adaptor.	Perform the tool registration again. If more than 10 tools are registered to the adaptor, the tool registered earliest will be cancelled automatically.
	The adaptor erased all tool registrations.	Perform the tool registration again.
Cannot erase all tool registrations	Pressing the wireless activation button on the tool.	Press the wireless activation button on the adaptor for erasing all tool registrations.
	The stand-by switch on the vacuum cleaner is not set to "AUTO".	Set the stand-by switch on the vacuum cleaner to "AUTO".
	The wireless activation button is not held down correctly.	Hold down the wireless activation button for more than 6 seconds and then release it when the wireless activation lamp blinks in red. Hold down the wireless activation button for more than 6 seconds again until the wireless activation button rapidly blinks in red and then release the button.
The vacuum cleaner automatically runs when; - Plugging the adaptor to the vacuum cleaner or; - Changing the stand-by switch on the vacuum cleaner to "AUTO".	The detecting method of vacuum cleaner's auto start/stop function.	If the vacuum cleaner stops running in a few seconds, you can use the wireless activation function as usual. If the vacuum cleaner continues to run for 20 seconds or longer, and you can stop it by unplugging the adaptor, the malfunction of the adaptor can be thought. Contact our authorized service center.

NOTE: On some cleaners, the stand-by switch "AUTO" is described as an icon or different word. In this case, set the vacuum cleaner to auto start/stop function.

MAINTENANCE

⚠ CAUTION: Always be sure that the adaptor is unplugged before attempting to perform inspection or maintenance.

NOTICE: Never use gasoline, benzine, thinner, alcohol or the like. Discoloration, deformation or cracks may result.

To maintain product SAFETY and RELIABILITY, repairs, any other maintenance or adjustment should be performed by Makita Authorized or Factory Service Centers, always using Makita replacement parts.

OPTIONAL ACCESSORIES

⚠ CAUTION: These accessories or attachments are recommended for use with your Makita tool specified in this manual. The use of any other accessories or attachments might present a risk of injury to persons. Only use accessory or attachment for its stated purpose.

If you need any assistance for more details regarding these accessories, ask your local Makita Service Center.

- Wireless unit

NOTE: Some items in the list may be included in the tool package as standard accessories. They may differ from country to country.

MAKITA LIMITED WARRANTY

Please refer to the annexed warranty sheet for the most current warranty terms applicable to this product. If annexed warranty sheet is not available, refer to the warranty details set forth at below website for your respective country.

United States of America: www.makitatools.com

Canada: www.makita.ca

Other countries: www.makita.com

SPÉCIFICATIONS

Modèle :	WUT02
Dimensions (L x P x H)	154 mm x 71 mm x 57 mm (6-1/16" x 2-3/4" x 2-1/4")
Poids net	0,41 kg (0,90 lbs)

- Étant donné l'évolution constante de notre programme de recherche et développement, les spécifications contenues dans ce manuel sont sujettes à modification sans préavis.
- Les spécifications peuvent varier suivant les pays.

Déclaration de la FCC

Cet appareil est conforme à la Section 15 des Règlements de la FCC. L'utilisation est sujette aux deux conditions suivantes : (1) cet appareil ne peut pas causer de brouillage nuisible, et (2) cet appareil doit accepter tout brouillage subi, y compris le brouillage pouvant causer un fonctionnement indésirable.

NOTE : Cet équipement a fait l'objet d'essais et a été jugé conforme aux limites pour appareil numérique de classe B, en conformité à la Section 15 des Règlements de la FCC. Ces limites sont conçues pour assurer une protection raisonnable contre le brouillage préjudiciable dans une installation résidentielle. Cet équipement génère, utilise et peut rayonner de l'énergie de fréquence radio et, s'il n'est pas installé et utilisé conformément aux instructions, peut causer du brouillage préjudiciable sur les communications radio. Rien ne garantit toutefois qu'il n'y aura pas de brouillage dans une installation particulière. Si cet équipement cause du brouillage préjudiciable sur la réception de la radio ou du téléviseur, ce qui peut être vérifié en éteignant et rallumant l'équipement, l'utilisateur est invité à essayer d'annuler le brouillage par l'une ou plusieurs des mesures suivantes :

- Réorienter ou déplacer l'antenne de réception.
- Augmenter la distance qui sépare l'équipement du récepteur.
- Brancher l'équipement sur la prise d'un circuit différent de celui sur lequel le récepteur est branché.
- Demander l'aide du détaillant ou d'un technicien radio/TV expérimenté.

MISE EN GARDE DE LA FCC

Les changements et modifications non explicitement approuvés par la partie responsable de la conformité peuvent annuler le droit de l'utilisateur à utiliser l'équipement.

Makita U.S.A. Inc.
14930 Northam Street, La Mirada, CA 90638-5753,
États-Unis
+1-(714) 522-8088

CAN ICES-3 (B)/NMB-3(B)

Symboles

Les symboles utilisés pour l'équipement sont indiqués ci-après. Vous devez avoir compris leur signification avant l'utilisation.



Soyez tout particulièrement prudent et attentif.



Lisez le manuel d'instructions.



DOUBLE ISOLATION



N'exposez pas à l'humidité.

CONSIGNES DE SÉCURITÉ

NOTE : L'adaptateur sans fil est dénommé « adaptateur » dans la suite de ce manuel d'instruction.

⚠ MISE EN GARDE : Assurez-vous de lire entièrement et de comprendre ce manuel d'instruction, ainsi que ceux de l'aspirateur, de l'outil et de l'unité sans fil à utiliser avec ce produit. L'ignorance des mises en garde et des instructions comporte un risque de décharge électrique, d'incendie et/ou de blessure grave.

Importantes consignes de sécurité pour l'adaptateur et l'unité sans fil

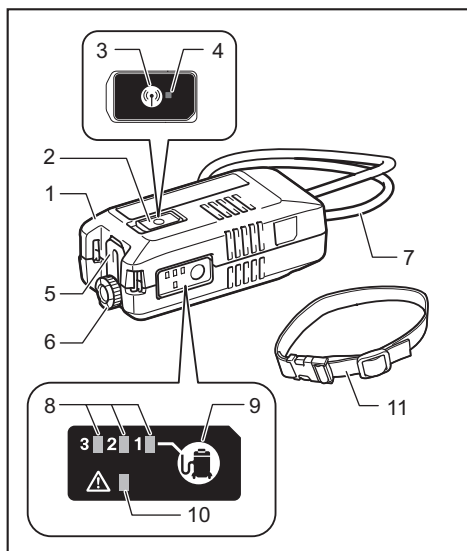
1. **Ne démontez pas et ne modifiez pas l'unité sans fil et l'adaptateur.**
2. **Gardez l'unité sans fil et l'adaptateur hors de la portée des jeunes enfants. En cas d'absorption accidentelle de l'unité sans fil, consultez immédiatement un médecin.**
3. **N'utilisez l'unité sans fil qu'avec les outils Makita.**

4. **Ne manipulez jamais l'adaptateur avec les mains mouillées.** Cela peut provoquer une décharge électrique.
5. **N'obstruez pas les orifices d'aération de l'adaptateur.**
6. **N'utilisez pas le cordon d'alimentation de l'adaptateur pour le transporter ou le débrancher.**
7. **N'exposez pas l'unité sans fil et l'adaptateur à la pluie ou à des surfaces mouillées.** La pénétration de liquide dans l'appareil peut provoquer un dysfonctionnement et/ou une décharge électrique.
8. **N'utilisez pas l'unité sans fil dans les emplacements où la température dépasse 50 °C (122 °F).**
9. **N'utilisez pas l'unité sans fil dans les emplacements où des instruments médicaux, tels que stimulateurs cardiaques, se trouvent à proximité.**
10. **N'utilisez pas l'unité sans fil dans les emplacements où des dispositifs automatiques se trouvent à proximité.** L'utilisation peut provoquer des dysfonctionnements ou des erreurs sur les dispositifs automatiques.
11. **N'utilisez pas l'unité sans fil dans un emplacement à température élevée ou un emplacement où de l'électricité statique ou du bruit électrique peuvent être générés.**
12. **L'unité sans fil peut générer des champs électromagnétiques (CEM), mais ils sont sans danger pour l'utilisateur.**
13. **L'unité sans fil est un instrument de précision. Évitez d'échapper ou de heurter l'unité sans fil.**
14. **Évitez de toucher la borne de l'unité sans fil à mains nues ou avec des objets métalliques.**
15. **Retirez toujours la batterie de l'outil avant d'y installer l'unité sans fil.**
16. **Lorsque vous ouvrez le couvercle de la fente, évitez de le faire dans un emplacement où la poussière et l'eau peuvent pénétrer dans la fente. Gardez toujours l'entrée de la fente propre.**
17. **Insérez toujours l'unité sans fil dans le bon sens.**
18. **N'appuyez pas trop fort sur le bouton d'activation sans fil de l'unité sans fil, et/ou n'appuyez pas sur le bouton avec un objet tranchant.**
19. **Pendant l'utilisation, fermez toujours le couvercle de la fente.**
20. **Ne retirez pas l'unité sans fil de la fente pendant qu'elle est alimentée en courant.** Cela peut causer un dysfonctionnement de l'unité sans fil.
21. **Ne retirez pas l'autocollant sur l'unité sans fil.**
22. **Ne mettez aucun autocollant sur l'unité sans fil.**
23. **Ne laissez pas l'unité sans fil dans un emplacement où de l'électricité statique ou du bruit électrique peuvent être générés.**
24. **Ne laissez pas l'unité sans fil et l'adaptateur dans un emplacement susceptible de chaleur intense, comme dans une voiture exposée au soleil.**
25. **Ne laissez pas l'unité sans fil et l'adaptateur dans un emplacement poussiéreux ou poudreux, ni dans un emplacement où des gaz corrosifs peuvent être générés.**
26. **Les variations soudaines de température peuvent humecter l'unité sans fil. N'utilisez l'unité sans fil qu'une fois qu'elle est bien sèche.**
27. **Pour nettoyer l'unité sans fil, essayez-la doucement avec un linge doux et sec. N'utilisez pas de benzine, diluant, graisse conductrice ou produit similaire.**
28. **Lorsque vous rangez l'unité sans fil, gardez-la dans le boîtier fourni ou dans un contenant antistatique.**
29. **N'insérez aucun autre dispositif que l'unité sans fil Makita dans la fente de l'adaptateur et de l'outil.**
30. **N'utilisez pas l'outil et/ou l'adaptateur si le couvercle de la fente est endommagé.** La pénétration d'eau, de poussières ou de saletés dans la fente peut entraîner un dysfonctionnement.
31. **Évitez de tirer et/ou tordre le couvercle de la fente plus que nécessaire.** Remettez le couvercle en place s'il se détache.
32. **Remplacez le couvercle de la fente si vous l'égarez ou s'il est endommagé.**

CONSERVEZ CE MODE D'EMPLOI.

INTRODUCTION

Description des pièces



1	Adaptateur	2	Couvercle
3	Bouton d'activation sans fil	4	Témoin d'activation sans fil
5	Crochet	6	Vis de serrage
7	Cordon	8	Indicateur de numéro de canal
9	Bouton de réglage de canal	10	Témoin d'avertissement
11	Bande	-	-

Usage prévu

Cet adaptateur permet d'utiliser les outils Makita pris en charge et alimentés par batterie lors de l'utilisation de la fonction de démarrage/arrêt automatique de l'aspirateur branché sur une prise de courant.

L'adaptateur connecté à un aspirateur Makita reçoit le signal sans fil de l'outil et le transmet à l'aspirateur à prendre en charge pour déterminer s'il doit démarrer ou s'arrêter. (fonction d'activation sans fil)

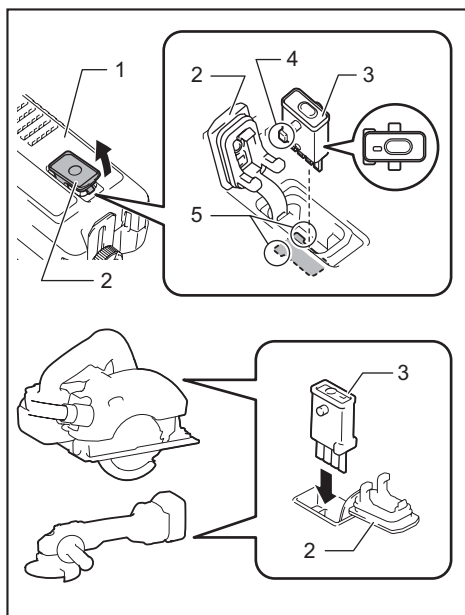
INSTALLATION INITIALE

Pose de l'unité sans fil

NOTE : Dans certains pays, l'unité sans fil est disponible en accessoire en option.

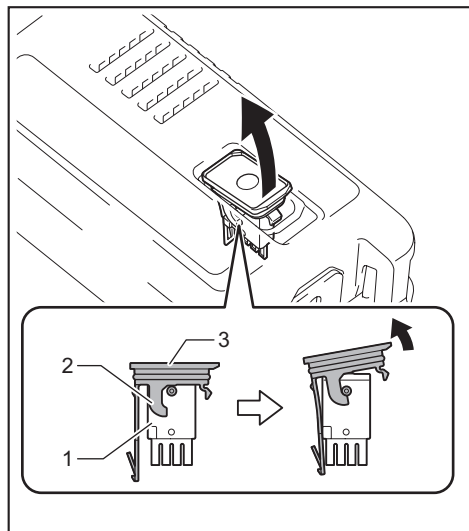
AVIS : Au sujet des précautions à prendre lors de la manipulation de l'unité sans fil, reportez-vous au manuel d'instruction de l'outil à utiliser avec cet adaptateur.

Installez les unités sans fil dans l'adaptateur et l'outil, tel qu'illustré. Lors de l'insertion de l'unité sans fil, alignez les parties saillantes sur les parties creuses de la fente.



► 1. Adaptateur 2. Couverture 3. Unité sans fil 4. Partie saillante 5. Partie creuse

Pour retirer l'unité sans fil, ouvrez lentement le couvercle. Les crochets à l'arrière du couvercle soulèveront l'unité sans fil à mesure que vous soulèverez le couvercle.



► 1. Unité sans fil 2. Crochet 3. Couvercle

Après avoir retiré l'unité sans fil, gardez-la dans le boîtier fourni ou dans un contenant antistatique.

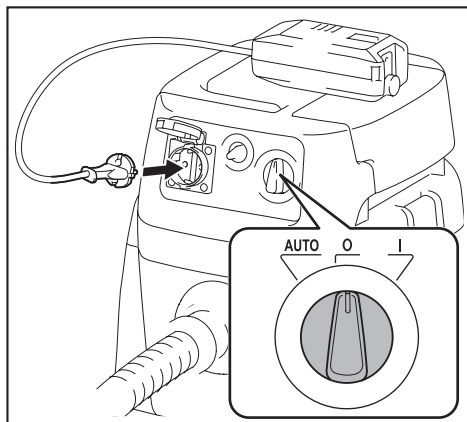
AVIS : Utilisez toujours les crochets à l'arrière du couvercle lorsque vous retirez l'unité sans fil. Si les crochets ne saisissent pas l'unité sans fil, fermez complètement le couvercle et rouvrez-le lentement.

Pose de l'adaptateur

AVIS : N'insérez pas la fiche de l'adaptateur dans la prise d'autres appareils que l'aspirateur pour la fonction de démarrage/arrêt automatique.

Assurez-vous que l'interrupteur d'attente de l'aspirateur est sur « O (OFF) ».

Branchez le cordon d'alimentation de l'aspirateur dans la prise de courant, puis branchez le cordon de l'adaptateur dans la prise de sortie de l'aspirateur.

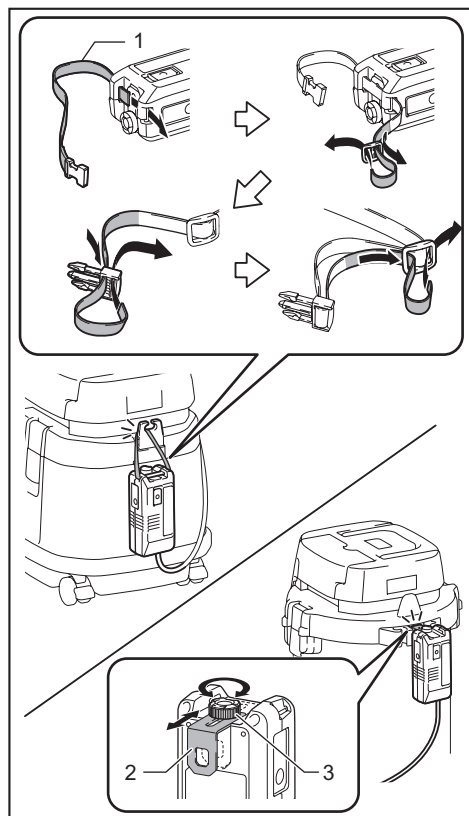


NOTE : En raison de la méthode de détection de la fonction de démarrage/arrêt automatique de l'aspirateur, il se peut que certains aspirateurs s'activent automatiquement pendant quelques secondes dans les cas suivants :

- branchement du cordon de l'adaptateur lorsque l'interrupteur d'attente de l'aspirateur est sur « AUTO » ou une position équivalente;
- permutation de l'interrupteur d'attente de l'aspirateur sur « AUTO » ou une position équivalente alors que la fiche de l'adaptateur est connectée à la prise de sortie de l'aspirateur.

Il ne s'agit pas d'un dysfonctionnement.

Pour éviter que l'adaptateur ne se détache, fixez-le toujours avec la bande ou le crochet, ou mettez-le sur une surface stable. Utilisez la bande ou le crochet pour fixer l'adaptateur à l'aspirateur. Pour utiliser le crochet, desserrez la vis de serrage, déployez le crochet, puis serrez la vis de serrage. Lorsque vous n'utilisez pas l'adaptateur, déconnectez son cordon sur l'aspirateur.



► 1. Bande 2. Crochet 3. Vis de serrage

Enregistrement d'outil pour l'adaptateur

Pour enregistrer un outil sur l'adaptateur (l'unité sans fil), suivez les instructions du manuel d'instruction de l'outil à utiliser avec cet adaptateur. Reportez-vous à la section « Enregistrement d'outil ».

NOTE : Dans le manuel d'instruction de l'outil, suivez les instructions en remplaçant le bouton/témoin d'activation sans fil « de l'aspirateur » par « de l'adaptateur ».

NOTE : Avant de commencer l'enregistrement d'outil, assurez-vous que l'unité sans fil est installée sur l'adaptateur et que l'adaptateur est branché dans la prise de sortie de l'aspirateur.

NOTE : Les informations d'enregistrement d'outil sont sauvegardées sur l'unité sans fil insérée dans l'adaptateur. Vous pouvez utiliser, sur un autre outil et un autre aspirateur, une paire d'unités sans fil dont l'enregistrement d'outil a été achevé.

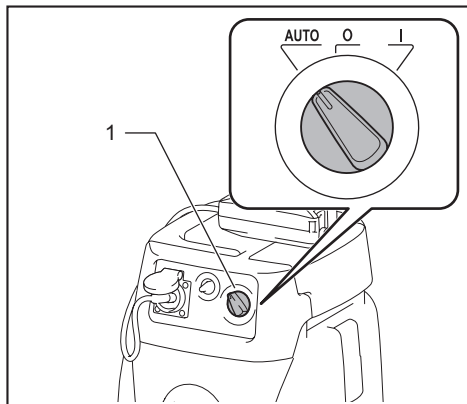
Réglage de canal

Le canal de communication adéquat varie suivant l'aspirateur à utiliser avec l'adaptateur. Effectuez le réglage de canal dans les cas suivants :

- utilisation de l'adaptateur pour la première fois;
- utilisation d'un aspirateur qui n'a pas encore été utilisé avec l'adaptateur.

NOTE : Le dernier canal réglé restera en mémoire même si vous débranchez l'adaptateur.

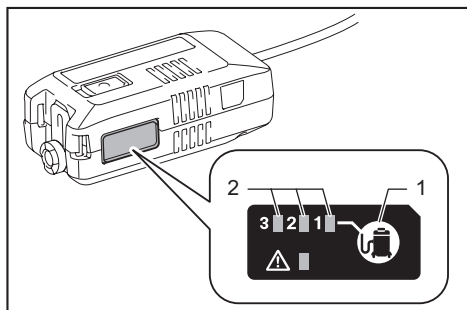
1. Mettez l'interrupteur d'attente de l'aspirateur sur « AUTO ».



► 1. Interrupteur d'attente

NOTE : Sur certains aspirateurs, l'interrupteur d'attente « AUTO » est indiqué par une icône ou par un mot différent. Le cas échéant, réglez l'aspirateur sur la fonction de démarrage/arrêt automatique.

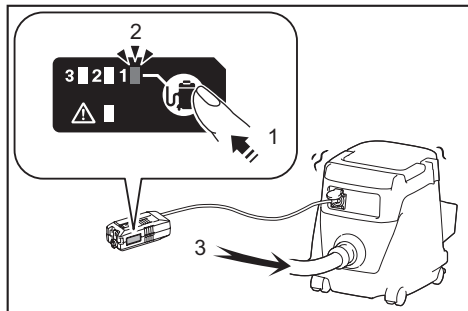
2. Vérifiez le numéro à côté de l'indicateur de numéro de canal allumé. Il s'agit du numéro de canal actuellement sélectionné.



► 1. Bouton de réglage de canal 2. Indicateur de numéro de canal

3. Pour faire un essai, maintenez le bouton de réglage de canal enfoncé pendant plus de deux secondes.

L'indicateur de numéro de canal clignotera en vert pendant 15 secondes.



1. Maintenir enfoncé le bouton de réglage de canal (deux secondes ou plus)
2. L'indicateur de numéro de canal clignote (pendant 15 secondes)
3. L'aspirateur est en marche pendant que l'indicateur de numéro de canal clignote

4. Assurez-vous que l'aspirateur se met correctement en marche automatiquement pendant que l'indicateur de numéro de canal clignote. Le cas échéant, le réglage de canal est terminé.

Si l'aspirateur ne se met pas en marche ou s'il ne se met pas correctement en marche, allez à l'étape suivante.

NOTE : Par exemple, l'aspirateur ne se met pas correctement en marche, il se met en marche mais s'arrête aussitôt, ou le niveau de puissance d'aspiration est différent du réglage effectué sur l'aspirateur.

5. Appuyez brièvement sur le bouton de réglage de canal pour sélectionner un autre numéro de canal.
6. Maintenez le bouton de réglage de canal enfoncé pendant plus de deux secondes pour vérifier que l'aspirateur se met correctement en marche.

Dans le cas contraire, répétez les étapes 5 et 6.

Si l'aspirateur ne se met en marche sur aucun numéro de canal, il se peut qu'il ne soit pas pris en charge ou qu'il y ait un problème de configuration.

UTILISATION

Pour les opérations suivantes, reportez-vous au manuel d'instruction de l'outil à utiliser avec cet adaptateur.

- Démarrage de la fonction d'activation sans fil
- Annulation de l'enregistrement d'outil

NOTE : Dans le manuel d'instruction de l'outil, suivez les instructions en remplaçant le bouton/témoin d'activation sans fil « de l'aspirateur » par « de l'adaptateur ».

NOTE : Avant d'effectuer les opérations ci-dessus, veillez à :

- installer l'unité sans fil sur l'adaptateur; et
- brancher l'adaptateur dans la prise de sortie de l'aspirateur avec l'interrupteur d'attente de l'aspirateur sur « O (OFF) ».

NOTE : La distance de transmission sans fil varie suivant le modèle d'aspirateur à utiliser.

Effacement de tous les enregistrements d'outil

Vous pouvez effacer tous les enregistrements d'outil sur l'adaptateur (l'unité sans fil), en procédant comme suit.

1. Assurez-vous que l'interrupteur d'attente de l'aspirateur est sur « O (OFF) », puis branchez le cordon d'alimentation de l'aspirateur dans une prise de courant.
2. Installez les unités sans fil sur l'adaptateur.
3. Branchez le cordon de l'adaptateur dans la prise de sortie de l'aspirateur.
4. Mettez l'interrupteur d'attente de l'aspirateur sur « AUTO ».

NOTE : Sur certains aspirateurs, l'interrupteur d'attente « AUTO » est indiqué par une icône ou par un mot différent. Le cas échéant, réglez l'aspirateur sur la fonction de démarrage/arrêt automatique.

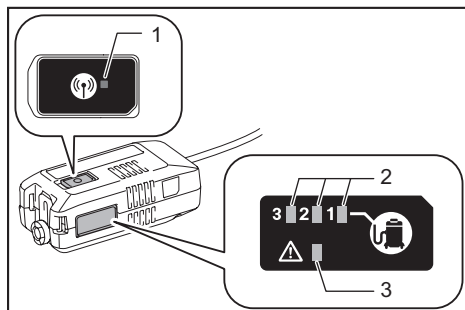
5. Maintenez enfoncé le bouton d'activation sans fil de l'adaptateur pendant environ 6 secondes, jusqu'à ce que le témoin d'activation sans fil clignote en rouge (environ deux fois par seconde).
6. Lorsque le témoin d'activation sans fil se met à clignoter en rouge, retirez votre doigt du bouton d'activation sans fil. Ensuite, maintenez enfoncé le bouton d'activation sans fil encore une fois pendant environ 6 secondes.

7. Lorsque le témoin d'activation sans fil se met à clignoter rapidement (environ 5 fois par seconde) en rouge, retirez votre doigt du bouton d'activation sans fil. Tous les enregistrements d'outil sont effacés lorsque le témoin d'activation sans fil s'allume en rouge puis s'éteint.

NOTE : Si le témoin d'activation sans fil ne clignote pas en rouge, appuyez un court instant sur le bouton d'activation sans fil et réessayez.

Description de l'état du témoin

Reportez-vous au tableau ci-dessous pour connaître la signification de l'état du témoin.



► 1. Témoin d'activation sans fil 2. Indicateur de numéro de canal 3. Témoin d'avertissement

Témoin	État	Couleur	État		Durée	Description
			Allumé	Clignotant		
Témoin d'activation sans fil	Attente	Bleu		☑	Adaptateur continu Outil : 2 heures	En attente de la disponibilité de l'enregistrement d'outil ou de la fonction d'activation sans fil. Le témoin de l'adaptateur clignote lorsque l'interrupteur d'attente de l'aspirateur est sur « AUTO » ou une position équivalente. Le témoin de l'outil clignote lorsque le bouton d'activation sans fil est enfoncé. Le témoin de l'outil s'éteindra automatiquement après 2 heures de non-utilisation.
				■	Lorsque l'outil est en marche.	L'activation sans fil de l'aspirateur est disponible et l'outil est en marche.
	Enregistrement d'outil	Vert		☑	20 secondes	Prêt pour l'enregistrement d'outil. Recherche de l'outil à enregistrer en cours.
				■	2 secondes	L'enregistrement d'outil est terminé. Le témoin d'activation sans fil se mettra à clignoter en bleu.
	Annulation/ Effacement de l'enregistrement d'outil	Rouge		☑ (lent : 2 fois/sec.)	20 secondes	Prêt pour l'annulation de l'enregistrement d'outil. Recherche de l'outil à annuler en cours.
				☑ (rapide : 5 fois/sec.)	Lorsque le bouton d'activation sans fil est enfoncé.	Prêt à effacer tous les enregistrements d'outil.
				■	2 secondes	L'enregistrement d'outil a été annulé/effacé. Le témoin d'activation sans fil se mettra à clignoter en bleu.
	Autres	Rouge		■	3 secondes	L'alimentation est fournie à l'unité sans fil et la fonction d'activation sans fil démarre.
Éteint		-	-	-	L'interrupteur d'attente de l'aspirateur n'est pas sur « AUTO » ou une position équivalente.	
Indicateur de numéro de canal	Sélection du numéro de canal	Vert		■	Continu	Le numéro de canal allumé est sélectionné.
	Essai en cours	Vert		☑	15 secondes	L'adaptateur vérifie la communication avec l'aspirateur par le numéro de canal sélectionné.
Témoin d'avertissement	Surchauffé ou autre problème	Rouge		☑	Continu	L'adaptateur est surchauffé ou a un autre problème. Débranchez l'adaptateur sur l'aspirateur. Nettoyez les orifices d'aération de l'adaptateur et laissez-le refroidir un moment, puis vérifiez s'il fonctionne bien. Si l'adaptateur ne fonctionne pas bien, contactez notre centre de service après-vente agréé pour le faire réparer.

Dépannage de la fonction d'activation sans fil

Avant de commencer le dépannage, vérifiez ce qui suit :

- L'unité sans fil est installée dans l'adaptateur.
- L'adaptateur est branché dans la prise de sortie de l'aspirateur.

Faites votre propre inspection avant de faire une demande de réparation. Reportez-vous également à la section de dépannage du manuel d'instruction de l'outil.

Si vous rencontrez un problème non indiqué dans ce manuel, n'essayez pas de démonter l'outil. Demandez plutôt à un centre de service après-vente Makita agréé de faire la réparation avec des pièces de rechange Makita.

État anormal	Cause probable (dysfonctionnement)	Solution
L'enregistrement d'outil ou l'annulation de l'enregistrement d'outil échoue.	La procédure d'enregistrement d'outil n'a pas été achevée pour l'outil ou pour l'adaptateur.	Effectuez la procédure d'enregistrement d'outil pour l'outil et pour l'adaptateur au même moment.
L'aspirateur n'est pas activé par l'utilisation de l'interrupteur de l'outil.	Vous n'avez pas appuyé sur le bouton d'activation sans fil sur l'outil.	Appuyez un court instant sur le bouton d'activation sans fil et assurez-vous que le témoin d'activation sans fil clignote en bleu.
	L'interrupteur d'attente de l'aspirateur n'est pas sur « AUTO ».	Mettez l'interrupteur d'attente de l'aspirateur sur « AUTO ».
	L'outil et l'adaptateur sont trop éloignés l'un de l'autre (hors de portée de transmission).	Rapprochez l'outil et l'adaptateur l'un de l'autre. La distance maximale de transmission est d'environ 10 m, mais elle peut varier selon les circonstances.
	Réglage de canal incorrect	Le réglage de canal actuel est inadéquat pour l'aspirateur en cours d'utilisation. Reportez-vous à « Réglage de canal » au sujet de la façon de le configurer.
	Utilisation d'un aspirateur non pris en charge.	Utilisez un aspirateur Makita avec fonction de démarrage/arrêt automatique.
	Plus de 10 outils sont enregistrés sur l'adaptateur.	Reprenez l'enregistrement d'outil. Si plus de 10 outils sont enregistrés sur l'adaptateur, l'outil enregistré le plus tôt sera automatiquement annulé.
	L'adaptateur a effacé tous les enregistrements d'outil.	Reprenez l'enregistrement d'outil.
Impossible d'effacer tous les enregistrements d'outil	Pression du bouton d'activation sans fil sur l'outil.	Appuyez sur le bouton d'activation sans fil de l'adaptateur pour effacer tous les enregistrements d'outil.
	L'interrupteur d'attente de l'aspirateur n'est pas sur « AUTO ».	Mettez l'interrupteur d'attente de l'aspirateur sur « AUTO ».
	Le bouton d'activation sans fil n'est pas maintenu enfoncé correctement.	Maintenez enfoncé le bouton d'activation sans fil pendant plus de 6 secondes, puis libérez-le lorsque le témoin d'activation sans fil clignote en rouge. Maintenez enfoncé le bouton d'activation sans fil pendant plus de 6 secondes encore une fois, jusqu'à ce que le bouton d'activation sans fil clignote rapidement en rouge, puis libérez le bouton.
L'aspirateur se met en marche automatiquement dans les cas suivants : - branchement de l'adaptateur sur l'aspirateur; ou - permutation de l'interrupteur d'attente de l'aspirateur sur « AUTO ».	La méthode de détection de la fonction de démarrage/arrêt automatique de l'aspirateur	Si l'aspirateur s'arrête au bout de quelques secondes, vous pouvez utiliser la fonction d'activation sans fil comme d'ordinaire. Si l'aspirateur reste en marche pendant 20 secondes ou plus et peut être arrêté en débranchant l'adaptateur, il se peut que l'adaptateur soit défectueux. Contactez notre centre de service après-vente agréé.

NOTE : Sur certains aspirateurs, l'interrupteur d'attente « AUTO » est indiqué par une icône ou par un mot différent. Le cas échéant, réglez l'aspirateur sur la fonction de démarrage/arrêt automatique.

ENTRETIEN

⚠ ATTENTION : Assurez-vous toujours que l'adaptateur est débranché avant d'effectuer l'inspection ou l'entretien.

AVIS : N'utilisez jamais d'essence, de benzine, de solvant, d'alcool ou autres produits similaires. Une décoloration, une déformation ou la formation de fissures peuvent en découler.

Pour maintenir la SÉCURITÉ et la FIABILITÉ du produit, les réparations et tout autre travail d'entretien ou de réglage doivent être effectués dans un centre de service après-vente autorisé ou une usine Makita, exclusivement avec des pièces de rechange Makita.

ACCESSOIRES EN OPTION

⚠ ATTENTION : Ces accessoires ou pièces complémentaires sont recommandés pour l'utilisation avec l'outil Makita spécifié dans ce manuel. L'utilisation de tout autre accessoire ou pièce complémentaire peut comporter un risque de blessure. N'utilisez les accessoires ou pièces complémentaires qu'aux fins auxquelles ils ont été conçus.

Si vous désirez obtenir plus de détails sur ces accessoires, veuillez contacter le centre de service après-vente Makita le plus près.

- Unité sans fil

NOTE : Certains éléments de la liste peuvent être inclus avec l'outil comme accessoires standards. Ils peuvent varier suivant les pays.

GARANTIE LIMITÉE MAKITA

Pour les conditions de garantie en vigueur qui s'appliquent à ce produit, veuillez vous reporter à la feuille de garantie en annexe. Si la feuille de garantie en annexe n'est pas disponible, reportez-vous aux détails de la garantie présentés sur le site Web de votre pays, ci-dessous.

États-Unis d'Amérique: www.makitatools.com

Canada: www.makita.ca

Autres pays: www.makita.com

ESPECIFICACIONES

Modelo:	WUT02
Dimensiones (La x An x Al)	154 mm x 71 mm x 57 mm (6-1/16" x 2-3/4" x 2-1/4")
Peso neto	0,41 kg (0,90 lbs)

- Debido a nuestro continuo programa de investigación y desarrollo, las especificaciones aquí incluidas están sujetas a cambio sin previo aviso.
- Las especificaciones pueden variar de país a país.

Declaración de la FCC

Este dispositivo cumple con lo dispuesto en la Parte 15 de las Normas de la FCC. La operación está sujeta a las siguientes dos condiciones: (1) Este dispositivo no debe causar una interferencia dañina, y (2) este dispositivo debe aceptar cualquier interferencia recibida, incluida la interferencia que pueda ocasionar una operación no deseada.

NOTA: Este equipo fue sometido a pruebas y se ha comprobado que cumple con los límites para un dispositivo digital Clase B, conforme a lo dispuesto en la Parte 15 de las Normas de la FCC. Estos límites están diseñados para proporcionar una protección razonable contra una interferencia dañina en una instalación residencial. Este equipo genera, usa y puede irradiar energía de radiofrecuencia y, si no se instala y se usa de acuerdo con las instrucciones, puede causar una interferencia dañina a las radiocomunicaciones. Sin embargo, no hay ninguna garantía de que la interferencia no ocurrirá en una instalación en particular. Si este equipo llega a causar una interferencia dañina a la recepción de radio o televisión, lo cual puede determinarse encendiendo y apagando el equipo, el usuario deberá intentar corregir la interferencia tomando una o varias de las siguientes medidas:

- Reorientar o reubicar la antena receptora.
- Aumentar la separación entre el equipo y el receptor.
- Conectar el equipo a una toma de corriente en un circuito distinto al cual esté conectado el receptor.
- Consultar al distribuidor o a un técnico experto en radio/TV para solicitar asistencia.

PRECAUCIÓN DE LA FCC

Cualquier cambio o modificación que no haya sido expresamente aprobada por la parte responsable del cumplimiento podría anular la autoridad del usuario para operar el equipo.

Makita U.S.A. Inc.
14930 Northam Street, La Mirada, CA 90638-5753, EUA
+1-(714) 522-8088

CAN ICES-3 (B)/NMB-3(B)

Símbolos

A continuación se muestran los símbolos utilizados para el equipo. Asegúrese de entender su significado antes de usarlo.



Ponga especial atención y tenga cuidado.



Lea el manual de instrucciones.



DOBLE AISLAMIENTO



No se exponga a la humedad.

ADVERTENCIAS DE SEGURIDAD

NOTA: El adaptador de transmisión inalámbrica es denominado en lo sucesivo "adaptador" en este manual de instrucciones.

ADVERTENCIA: Asegúrese de leer detenidamente y entender este manual de instrucciones, así como los manuales de instrucciones de la aspiradora, la herramienta y la unidad inalámbrica que se utilizarán con este producto. El no seguir las advertencias e instrucciones podría ocasionar descargas eléctricas, incendios y/o lesiones graves.

Instrucciones importantes de seguridad para el adaptador y la unidad inalámbrica

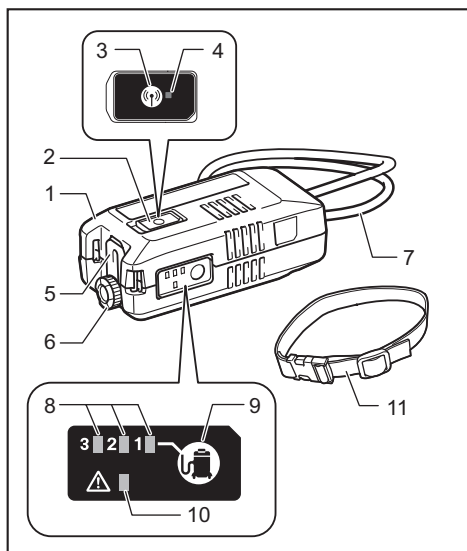
1. No desarme ni manipule indebidamente la unidad inalámbrica y el adaptador.
2. Mantenga la unidad inalámbrica y el adaptador alejados de los niños pequeños. En caso de ingerir accidentalmente la unidad inalámbrica, solicite atención médica de inmediato.
3. Utilice la unidad inalámbrica solamente con herramientas de Makita.

4. **Nunca manipule el adaptador con las manos mojadas.** El hacerlo podría ocasionar una descarga eléctrica.
5. **No obstruya las rejillas de ventilación en el adaptador.**
6. **No utilice el cable del adaptador para transportarlo ni para desconectarlo.**
7. **No exponga la unidad inalámbrica o el adaptador a la lluvia ni a condiciones de humedad.** La entrada de líquido al aparato podría causar una avería y/o descarga eléctrica.
8. **No utilice la unidad inalámbrica en lugares donde la temperatura exceda los 50°C (122°F).**
9. **No utilice la unidad inalámbrica en lugares donde haya instrumentos médicos tales como marcapasos cerca.**
10. **No utilice la unidad inalámbrica en lugares donde haya dispositivos automáticos cerca.** Si se utiliza, los dispositivos automáticos podrían causar alguna avería o error.
11. **No opere la unidad inalámbrica en lugares con alta temperatura o donde pueda generarse electricidad estática o ruido eléctrico.**
12. **La unidad inalámbrica puede producir campos electromagnéticos (CEM), sin embargo éstos no son dañinos para el usuario.**
13. **La unidad inalámbrica es un instrumento de precisión.** Tenga cuidado de no dejar caer ni golpear la unidad inalámbrica.
14. **Evite tocar la terminal de la unidad inalámbrica con las manos descubiertas o con materiales metálicos.**
15. **Retire siempre la batería del producto al instalar en él la unidad inalámbrica.**
16. **Cuando abra la tapa de la ranura, evite el lugar donde el polvo y el agua puedan introducirse en la ranura.** Mantenga siempre la entrada de la ranura limpia.
17. **Inserte siempre la unidad inalámbrica en la dirección correcta.**
18. **No oprima el botón de activación inalámbrica en la unidad inalámbrica demasiado fuerte, ni lo haga con ningún objeto que tenga un borde filoso.**
19. **Cierre siempre la tapa de la ranura durante la operación.**
20. **No retire la unidad inalámbrica de la ranura mientras se esté suministrando energía.** El hacerlo podría causar una avería de la unidad inalámbrica.
21. **No retire la etiqueta en la unidad inalámbrica.**
22. **No coloque ninguna etiqueta en la unidad inalámbrica.**
23. **No deje la unidad inalámbrica en un lugar donde pueda generarse electricidad estática o ruido eléctrico.**
24. **No deje la unidad inalámbrica ni el adaptador en un lugar sujeto a temperaturas altas, tal como un vehículo estacionado bajo el sol.**
25. **No deje la unidad inalámbrica ni el adaptador en un lugar donde haya polvo o suciedad ni en un lugar donde pueda generarse gas corrosivo.**
26. **Los cambios repentinos de temperatura podrían humedecer la unidad inalámbrica.** No utilice la unidad inalámbrica hasta que la condensación se haya secado por completo.
27. **Cuando vaya a limpiar la unidad inalámbrica, hágalo cuidadosamente usando un paño suave seco.** No utilice bencina, disolvente, grasa conductora o sustancias similares.
28. **Cuando vaya a almacenar la unidad inalámbrica, guárdela en el estuche suministrado o en un contenedor libre de electricidad estática.**
29. **No inserte ningún otro dispositivo que no sea la unidad inalámbrica de Makita en la ranura del adaptador y la herramienta.**
30. **No utilice la herramienta ni el adaptador si la tapa de la ranura está dañada.** La entrada de agua, polvo o suciedad en la ranura podría causar una avería.
31. **No jale ni fuerza la tapa de la ranura más de lo necesario.** Vuelva a colocar la tapa si esta llega a salirse.
32. **Reemplace la tapa de la ranura si llega a perderse o dañarse.**

GUARDE ESTAS INSTRUCCIONES.

INTRODUCCIÓN

Descripción de las piezas



1	Adaptador	2	Tapa
3	Botón de activación inalámbrica	4	Luz indicadora de activación inalámbrica
5	Gancho	6	Tornillo de fijación
7	Cable	8	Indicador de número de canal
9	Botón de ajuste de canal	10	Luz indicadora de precaución
11	Banda	-	-

Uso pretendido

Este adaptador permite utilizar herramientas eléctricas Makita compatibles de baterías cuando se utiliza la función automática de encendido/apagado de una aspiradora con conexión a la red eléctrica. El adaptador conectado a una aspiradora Makita recibe la señal de la herramienta de forma inalámbrica y la transmite a la aspiradora para poder determinar el momento en que la aspiradora se enciende o se apaga. (función de activación inalámbrica)

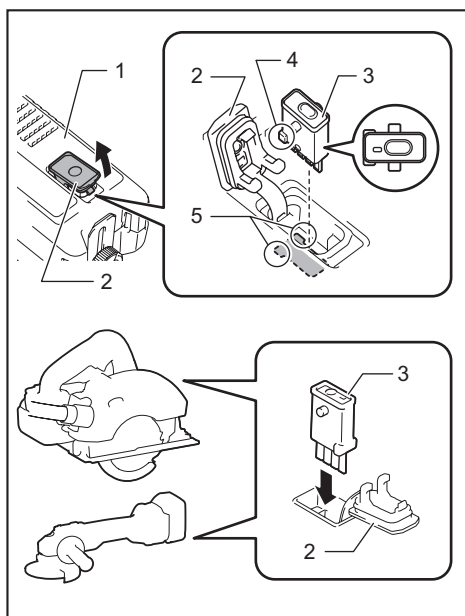
AJUSTE INICIAL

Instalación de la unidad inalámbrica

NOTA: La unidad inalámbrica se suministra como accesorio opcional en algunos países.

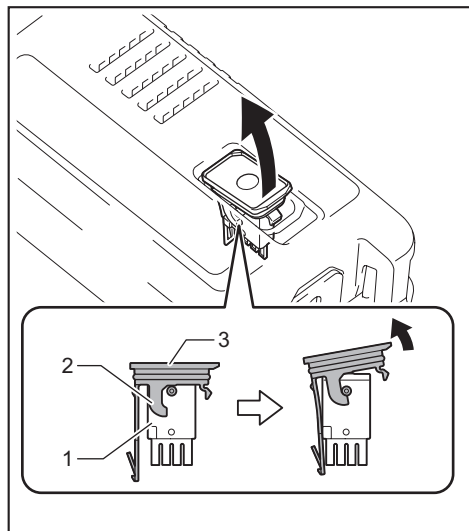
AVISO: Para conocer las precauciones para manipular la unidad inalámbrica, consulte el manual de instrucciones de la herramienta que se utilizará con este adaptador.

Instale las unidades inalámbricas en el adaptador y en la herramienta tal como se muestra en la ilustración. Cuando inserte la unidad inalámbrica, alinee las partes salientes con las partes cóncavas en la ranura.



► 1. Adaptador 2. Tapa 3. Unidad inalámbrica 4. Parte saliente 5. Parte cóncava

Para retirar la unidad inalámbrica, abra la tapa lentamente. Los ganchos en la parte posterior de la tapa levantarán la unidad inalámbrica mientras usted jala hacia arriba la tapa.



► 1. Unidad inalámbrica 2. Gancho 3. Tapa

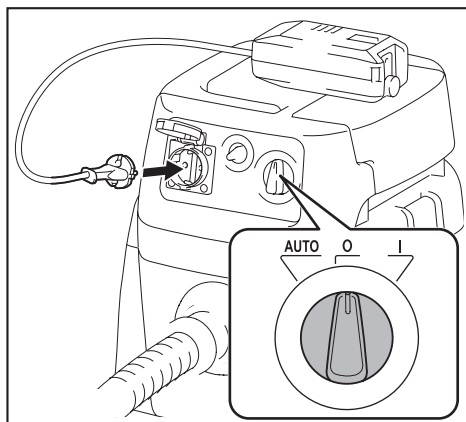
Una vez extraída la unidad inalámbrica, guárdela en el estuche suministrado o en un contenedor libre de electricidad estática.

AVISO: Use siempre los ganchos en la parte posterior de la tapa cuando extraiga la unidad inalámbrica. Si los ganchos no sujetan la unidad inalámbrica, cierre la tapa por completo y vuelva a abrirla lentamente.

Instalación del adaptador

AVISO: No inserte el enchufe del adaptador en la toma de corriente de otros aparatos que no sean la toma de corriente de la aspiradora para la función automática de encendido/apagado.

Asegúrese de que el interruptor de modo en espera en la aspiradora esté ajustado en "O" (apagado). Enchufe el cable de alimentación de la aspiradora a la red eléctrica y luego enchufe el cable del adaptador a la toma de corriente de la aspiradora.

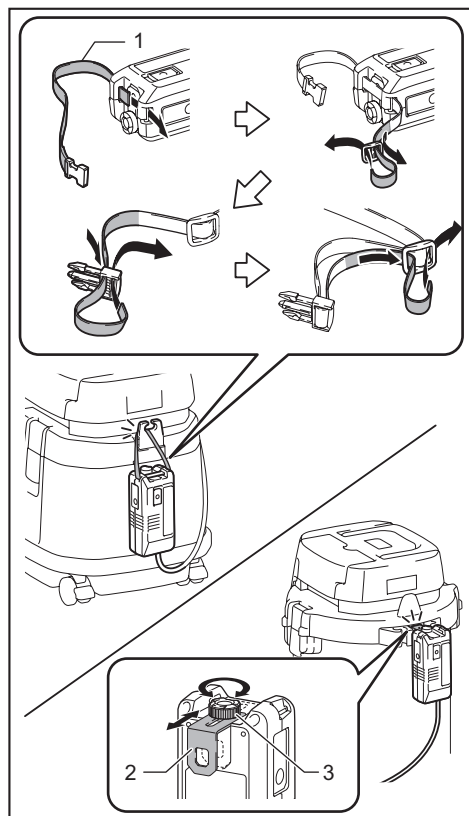


NOTA: Debido al método de detección de la función automática de encendido/apagado de la aspiradora, algunas aspiradoras pueden funcionar automáticamente durante unos segundos al:

- Enchufar el cable del adaptador cuando el interruptor de modo en espera en la aspiradora esté ajustado en "AUTO" (automático) o equivalente; o
- Cambiar el interruptor de modo en espera en la aspiradora a "AUTO" (automático) o equivalente, con el enchufe del adaptador conectado a la toma de corriente de la aspiradora.

Esto no es una falla en el funcionamiento.

Para evitar que el adaptador se caiga, asegúrelo siempre con la banda o el gancho, o colóquelo en una superficie estable. Use la banda o el gancho para asegurar el adaptador en la aspiradora. Para usar el gancho, afloje el tornillo de fijación, extienda el gancho y luego apriete el tornillo de fijación. Cuando no use el adaptador, desconecte el cable del adaptador de la aspiradora.



► 1. Banda 2. Gancho 3. Tornillo de fijación

Registro de la herramienta para el adaptador

Para registrar una herramienta en el adaptador (unidad inalámbrica), siga el manual de instrucciones de la herramienta que se utilizará con este adaptador. Consulte la sección referente al "registro de la herramienta".

NOTA: En el manual de instrucciones de la herramienta, siga las instrucciones sustituyendo el botón o luz indicadora de activación inalámbrica "en la aspiradora" por "en el adaptador".

NOTA: Asegúrese de que la unidad inalámbrica esté instalada en el adaptador y que el adaptador esté enchufado a la toma de corriente de la aspiradora antes de iniciar el registro de la herramienta.

NOTA: La información de registro de la herramienta se guarda en la unidad inalámbrica insertada en el adaptador. Puede usar un par de unidades inalámbricas, de las cuales se ha terminado el registro de la herramienta, con otra herramienta y aspiradora.

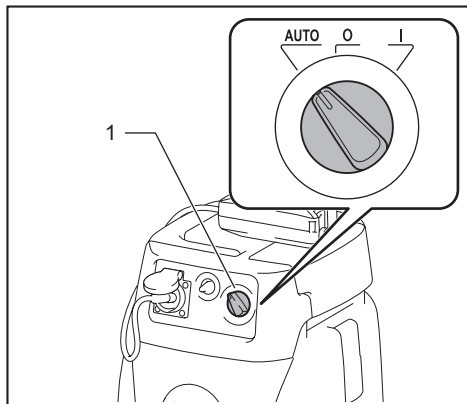
Ajuste de canal

El canal de comunicación adecuado varía según la aspiradora que se utilizará con el adaptador. Realice el ajuste de canal cuando:

- Use el adaptador por primera vez, o;
- Use otra aspiradora que no se haya usado con el adaptador.

NOTA: El último canal que ajuste se guardará incluso después de desconectar el adaptador.

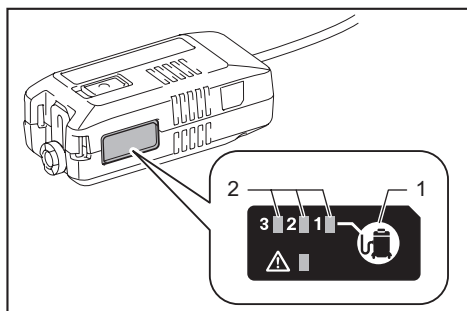
1. Ajuste el interruptor de modo en espera en la aspiradora en "AUTO" (automático).



► 1. Interruptor de modo en espera

NOTA: En algunas aspiradoras, el interruptor de modo en espera "AUTO" (automático) se describe con un icono o una palabra diferente. En este caso, ajuste la aspiradora en la función automática de encendido/apagado.

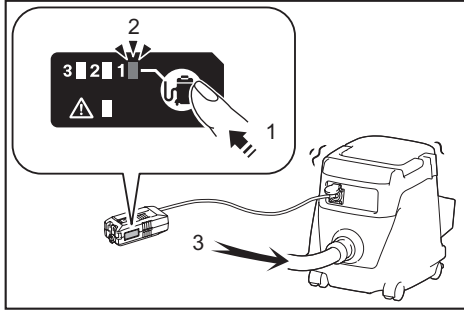
2. Confirme el número junto al indicador de número de canal iluminado. Este es el número de canal que se está seleccionando en ese momento.



► 1. Botón de ajuste de canal 2. Indicador de número de canal

3. Mantenga presionado el botón de ajuste de canal durante más de 2 segundos para realizar una prueba.

El indicador de número de canal parpadeará en verde durante 15 segundos.



► 1. Mantenga presionado el botón de ajuste de canal (2 segundos o más) 2. El indicador de número de canal parpadeará (durante 15 segundos) 3. La aspiradora funcionará mientras el indicador de número de canal esté parpadeando

4. Verifique que la aspiradora funcione correctamente de manera automática mientras el indicador de número de canal esté parpadeando. Si es así, el ajuste de canal se ha completado.

Si la aspiradora no funciona o funciona incorrectamente, continúe con el siguiente paso.

NOTA: Por ejemplo, cuando la aspiradora funciona incorrectamente; la aspiradora funciona pero se detiene pronto; o el nivel de la potencia de succión es diferente del ajuste en la aspiradora.

5. Oprima brevemente el botón de ajuste de canal para seleccionar otro número de canal.

6. Mantenga oprimido el botón de ajuste de canal durante más de 2 segundos para realizar una prueba y verifique que la aspiradora funcione correctamente.

Si no es así, repita los pasos 5 y 6.

Si la aspiradora no funciona con ninguno de los números de canal, es posible que esta no sea compatible o que haya un problema en la configuración.

OPERACIÓN

Para las siguientes operaciones, consulte el manual de instrucciones de la herramienta que se utilizará con este adaptador:

- Inicio de la función de activación inalámbrica
- Cancelación del registro de la herramienta

NOTA: En el manual de instrucciones de la herramienta, siga las instrucciones sustituyendo el botón o luz indicadora de activación inalámbrica "en la aspiradora" por "en el adaptador".

NOTA: Antes de realizar las operaciones anteriores, asegúrese de:

- Instalar la unidad inalámbrica en el adaptador, y
- Conectar el adaptador a la toma de corriente de la aspiradora con el interruptor de modo en espera en la aspiradora en "O" (apagado).

NOTA: La distancia de transmisión inalámbrica varía según el modelo de aspiradora que se va a utilizar.

Borrado de todos los registros de herramientas

Usted puede borrar todos los registros de herramientas del adaptador (unidad inalámbrica) como se indica a continuación.

1. Asegúrese de que el interruptor de modo en espera en la aspiradora esté ajustado en "O" (apagado) y luego conecte el cable de alimentación de la aspiradora a la red eléctrica.
2. Instale las unidades inalámbricas en el adaptador.
3. Conecte el cable del adaptador en la toma de corriente de la aspiradora.
4. Ajuste el interruptor de modo en espera en la aspiradora en "AUTO" (automático).

NOTA: En algunas aspiradoras, el interruptor de modo en espera "AUTO" (automático) se describe con un icono o una palabra diferente. En este caso, ajuste la aspiradora en la función automática de encendido/apagado.

5. Mantenga oprimido el botón de activación inalámbrica en el adaptador durante aproximadamente 6 segundos hasta que la luz indicadora de activación inalámbrica parpadee en rojo (cerca de dos veces durante un segundo).

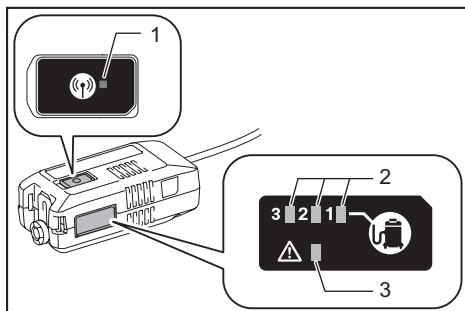
6. Cuando la luz indicadora de activación inalámbrica comience a parpadear en rojo, suelte el botón de activación inalámbrica. Posteriormente, vuelva a mantener oprimido el botón de activación inalámbrica alrededor de 6 segundos.

7. Cuando la luz indicadora de activación inalámbrica comience a parpadear rápidamente en rojo (cerca de 5 veces durante un segundo), suelte el botón de activación inalámbrica. Cuando la luz indicadora de activación inalámbrica se encienda en rojo y luego se apague, todos los registros de herramientas se habrán borrado.

NOTA: Si la luz indicadora de activación inalámbrica no parpadea en rojo, oprima el botón de activación inalámbrica durante un lapso breve e inténtelo nuevamente.

Descripción del estado de la luz indicadora

Consulte la tabla a continuación para ver qué significa el estado de la luz indicadora.



► 1. Luz indicadora de activación inalámbrica 2. Indicador de número de canal 3. Luz indicadora de precaución

Luz indicadora	Estado	Color	■	▣	Duración	Descripción
			Encendida	Parpadeando		
Luz indicadora de activación inalámbrica	En espera	Azul	▣		Adaptador: continuo Herramienta: 2 horas	Se está esperando el registro de la herramienta, o la función de activación inalámbrica está disponible. La luz indicadora en el adaptador parpadea cuando el interruptor de modo en espera en la aspiradora está ajustado en "AUTO" (automático) o equivalente. La luz indicadora en la herramienta parpadea cuando se presiona el botón de activación inalámbrica. La luz indicadora en la herramienta se apaga automáticamente cuando no se realiza ninguna operación durante 2 horas.
			■		Cuando la herramienta está funcionando.	La activación inalámbrica de la aspiradora está disponible y la herramienta está funcionando.
	Registro de la herramienta	Verde	▣		20 segundos	Ya se puede realizar el registro de la herramienta. Se está buscando la herramienta que se va a registrar.
			■		2 segundos	El registro de la herramienta ha terminado. La luz indicadora de activación inalámbrica comenzará a parpadear en azul.
	Cancelación/borrado del registro de la herramienta	Rojo	▣ (lento: 2 veces/s)		20 segundos	Ya se puede cancelar el registro de la herramienta. Se está buscando la herramienta que se va a cancelar.
			▣ (rápido: 5 veces/s)		Cuando el botón de activación inalámbrica es presionado.	Ya se pueden borrar todos los registros de herramientas.
			■		2 segundos	El registro de la herramienta ha sido cancelado/borrado. La luz indicadora de activación inalámbrica comenzará a parpadear en azul.
	Otros	Rojo	■		3 segundos	La energía es suministrada a la unidad inalámbrica y la función de activación inalámbrica está arrancando.
		Apagada	-		-	El interruptor de modo en espera en la aspiradora no está ajustado en "AUTO" (automático) o equivalente.
	Indicador de número de canal	Selección de número de canal	Verde	■		Continuo
Prueba		Verde	▣		15 segundos	El adaptador está probando la comunicación a la aspiradora a través del número de canal seleccionado.
Luz indicadora de precaución	Sobrecalentamiento u otro problema	Rojo	▣		Continuo	El adaptador se sobrecalentó o tiene otro problema. Desconecte el adaptador de la aspiradora. Limpie las rejillas de ventilación en el adaptador, deje que se enfríe durante un rato y luego verifique que funcione correctamente. Si el adaptador no funciona correctamente, póngase en contacto con nuestro centro de servicio autorizado para solicitar la reparación.

DetECCIÓN Y SOLUCIÓN DE PROBLEMAS PARA LA FUNCIÓN DE ACTIVACIÓN INALÁMBRICA

Antes de comenzar con la detección y solución de problemas, verifique lo siguiente:

- La unidad inalámbrica está instalada en el adaptador.
- El adaptador está conectado a la toma de corriente de la aspiradora.

Antes de solicitar alguna reparación, primero realice una inspección por su cuenta. Asimismo, consulte la sección Detección y solución de problemas del manual de instrucciones de la herramienta.

Si detecta algún problema que no esté explicado en el manual, no intente desensamblar la herramienta. En vez de esto, solicite la reparación a un centro de servicio autorizado de Makita, usando siempre piezas de repuesto Makita.

Estado de la anomalía	Causa probable (avería)	Remedio
No se puede terminar/cancelar el registro de la herramienta exitosamente.	Los procedimientos de registro para la herramienta o el adaptador no se han terminado.	Realice los procedimientos de registro tanto para la herramienta como para el adaptador al mismo tiempo.
La aspiradora no funciona junto con el interruptor de la herramienta.	El botón de activación inalámbrica en la herramienta no se ha oprimido.	Oprima el botón de activación inalámbrica durante un lapso breve y asegúrese de que la luz indicadora de activación inalámbrica esté parpadeando en azul.
	El interruptor de modo en espera en la aspiradora no está ajustado en "AUTO" (automático).	Ajuste el interruptor de modo en espera en la aspiradora en "AUTO" (automático).
	La herramienta y el adaptador están lejos uno del otro (fuera del rango de transmisión).	Acerque más la herramienta al adaptador. La distancia máxima de transmisión es de aproximadamente 10 m, pero puede variar en función de las circunstancias.
	Ajuste de canal incorrecto	El ajuste de canal actual no es adecuado para la aspiradora que se está usando. Consulte la sección "Ajuste de canal" para ver cómo realizar la configuración.
	Se está usando una aspiradora no compatible.	Use una aspiradora Makita con función automática de encendido/apagado.
	Más de 10 herramientas están registradas en el adaptador.	Vuelva a realizar el registro de la herramienta. Si más de 10 herramientas están registradas en el adaptador, la herramienta registrada al principio se cancelará automáticamente.
No se pueden borrar todos los registros de herramientas	El adaptador borró todos los registros de herramientas.	Vuelva a realizar el registro de la herramienta.
	El botón de activación inalámbrica en la herramienta está oprimido.	Oprima el botón de activación inalámbrica en el adaptador para borrar todos los registros de herramientas.
	El interruptor de modo en espera en la aspiradora no está ajustado en "AUTO" (automático).	Ajuste el interruptor de modo en espera en la aspiradora en "AUTO" (automático).
La aspiradora funciona automáticamente al: - Conectar el adaptador a la aspiradora, o - Cambiar el interruptor de modo en espera en la aspiradora a "AUTO" (automático).	El botón de activación inalámbrica no se está manteniendo oprimido de forma correcta.	Mantenga oprimido el botón de activación inalámbrica durante más de 6 segundos y luego suéltelo cuando la luz indicadora de activación inalámbrica parpadee en rojo. Mantenga oprimido el botón de activación inalámbrica durante más de 6 segundos nuevamente hasta que el botón de activación inalámbrica parpadee rápidamente en rojo y luego suelte el botón.
	El método de detección de la función automática de encendido/apagado de la aspiradora.	Si la aspiradora deja de funcionar a los pocos segundos, usted puede usar la función de activación inalámbrica de manera normal. Si la aspiradora continúa funcionando durante 20 segundos o más, y puede detenerla desconectando el adaptador, es posible que el adaptador tenga una avería. Póngase en contacto con nuestro centro de servicio autorizado.

NOTA: En algunas aspiradoras, el interruptor de modo en espera "AUTO" (automático) se describe con un icono o una palabra diferente. En este caso, ajuste la aspiradora en la función automática de encendido/apagado.

MANTENIMIENTO

⚠PRECAUCIÓN: Asegúrese siempre de que el adaptador se haya desconectado antes de intentar realizar un trabajo de inspección o mantenimiento.

AVISO: Nunca use gasolina, bencina, diluyente (tíner), alcohol o sustancias similares. Puede que esto ocasione grietas o descoloramiento.

Para mantener la SEGURIDAD y FIABILIDAD del producto, las reparaciones, y cualquier otra tarea de mantenimiento o ajuste deberán ser realizadas en centros de servicio autorizados o de fábrica Makita, empleando siempre repuestos Makita.

ACCESORIOS OPCIONALES

⚠PRECAUCIÓN: Estos accesorios o aditamentos están recomendados para utilizarse con su herramienta Makita especificada en este manual. El empleo de cualquier otro accesorio o aditamento puede conllevar el riesgo de lesiones personales. Utilice los accesorios o aditamentos solamente para su fin establecido.

Si necesita cualquier ayuda para más detalles en relación con estos accesorios, pregunte a su centro de servicio local Makita.

- Unidad inalámbrica

NOTA: Algunos de los artículos en la lista pueden incluirse en el paquete de la herramienta como accesorios estándar. Éstos pueden variar de país a país.

GARANTÍA LIMITADA DE MAKITA

Ésta Garantía no aplica para México

Consulte la hoja de la garantía anexa para ver los términos más vigentes de la garantía aplicable a este producto. En caso de no disponer de esta hoja de garantía anexa, consulte los detalles sobre la garantía descritos en el sitio web de su país respectivo indicado a continuación.

Estados Unidos de América: www.makitatools.com

Canadá: www.makita.ca

Otros países: www.makita.com

ESPECIFICAÇÕES

Modelo:	WUT02
Dimensões (C x L x A)	154 mm x 71 mm x 57 mm (6-1/16" x 2-3/4" x 2-1/4")
Peso líquido	0,41 kg (0,90 lbs)

- Devido ao nosso contínuo programa de pesquisa e desenvolvimento, reservamo-nos o direito de alterar especificações de partes e acessórios que constam neste manual, sem aviso prévio.
- As especificações podem diferir de país para país.

Declaração da FCC

Este dispositivo atende à parte 15 das Normas da FCC. A operação está sujeita às duas condições a seguir: (1) este dispositivo não pode provocar interferência prejudicial, e (2) este dispositivo deve aceitar todas as interferências recebidas, incluindo interferências que possam causar a operação indesejada.

NOTA: Este equipamento foi testado, tendo-se determinado que ele atende aos limites estabelecidos para um dispositivo digital Classe B, de acordo com a parte 15 das Normas da FCC. Esses limites têm por finalidade proporcionar proteção razoável contra interferência prejudicial em uma instalação residencial. Este equipamento gera, utiliza e pode irradiar energia de radiofrequência e, se não instalado e utilizado de acordo com as instruções, pode causar interferência prejudicial com comunicações de rádio. Todavia, não há garantias de que tal interferência não ocorrerá em determinadas instalações. Se este equipamento causar interferência prejudicial em recepções de rádio ou televisão, o que pode ser determinado ligando-se e desligando-se o equipamento, recomenda-se que o usuário tente corrigir essa interferência adotando uma ou mais das medidas a seguir:

- Reorientar ou reposicionar a antena de recepção.
- Aumentar a distância entre o equipamento e o receptor.
- Conectar o equipamento a uma tomada de um circuito diferente daquele ao qual o receptor está conectado.
- Consultar o revendedor ou um técnico de rádio/TV qualificado para obter ajuda.

ADVERTÊNCIA DA FCC

As mudanças ou modificações não aprovadas expressamente pela parte responsável por conformidade poderão invalidar a autoridade do usuário para operar o equipamento.

Makita U.S.A. Inc.
14930 Northam Street, La Mirada, CA 90638-5753,
USA
+1-(714) 522-8088

CAN ICES-3 (B)/NMB-3(B)

Símbolos

A seguir, estão os símbolos usados para esta ferramenta. Certifique-se de que compreende o seu significado antes da utilização.



Tenha muito cuidado e atenção.



Leia o manual de instruções.



DUPLA ISOLAÇÃO



Não exponha à umidade.

AVISOS DE SEGURANÇA

NOTA: O adaptador para unidade de comunicação sem fio (wireless) será doravante designado como "adaptador" neste manual de instruções.

AVISO: Certifique-se de ler e entender completamente este manual de instruções, bem como os manuais de instruções do aspirador, da ferramenta e da unidade de comunicação sem fio a serem usados com este produto. O descumprimento dos avisos e instruções pode resultar em choques elétricos, incêndio e/ou ferimentos graves.

Instruções de segurança importantes para o adaptador e a unidade de comunicação sem fio

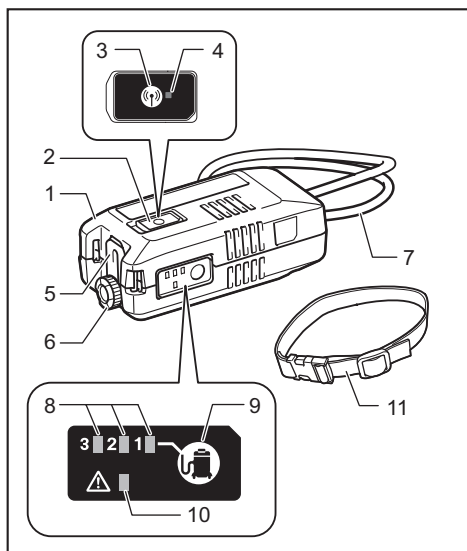
1. Não desmonte ou adultere a unidade de comunicação sem fio nem o adaptador.
2. Mantenha a unidade de comunicação sem fio e o adaptador fora do alcance de crianças. Em caso de ingestão acidental da unidade de comunicação sem fio, consulte um médico imediatamente.

3. **Utilize a unidade de comunicação sem fio somente com ferramentas Makita.**
4. **Nunca manuseie o adaptador com as mãos molhadas.** Fazer isso pode resultar em choque elétrico.
5. **Não bloqueie as aberturas de ventilação do adaptador.**
6. **Não transporte o adaptador nem o desconecte da tomada pelo cabo.**
7. **Não exponha a unidade de comunicação sem fio nem o adaptador à chuva ou a condições de umidade.** Pode ocorrer o ingresso de líquido no aparelho, o que pode provocar defeitos e/ou choques elétricos.
8. **Não use a unidade de comunicação sem fio em locais onde a temperatura ultrapassar 50°C.**
9. **Não opere a unidade de comunicação sem fio nas proximidades de instrumentos médicos, tais como marca-passos cardíacos.**
10. **Não opere a unidade de comunicação sem fio nas proximidades de dispositivos automáticos.** Se operada, os dispositivos automáticos poderão apresentar mau funcionamento ou erro.
11. **Não deixe a unidade de comunicação sem fio em locais a altas temperaturas, ou em locais onde possa haver geração de eletricidade estática ou de ruído elétrico.**
12. **A unidade de comunicação sem fio pode produzir campos eletromagnéticos (EMF), mas eles não são nocivos aos usuários.**
13. **A unidade de comunicação sem fio é um instrumento preciso. Tome cuidado para não derrubar nem bater a unidade de comunicação sem fio.**
14. **Evite tocar no terminal da unidade de comunicação sem fio com as mãos desprotegidas ou com materiais metálicos.**
15. **Remova sempre a bateria do produto quando instalar a unidade de comunicação sem fio nele.**
16. **Evite abrir a tampa do encaixe em locais onde poeira e água possam entrar no encaixe. Mantenha a entrada do encaixe sempre limpa.**
17. **Insira sempre a unidade de comunicação sem fio na direção correta.**
18. **Não pressione com muita força o botão da ativação sem fio na unidade de comunicação sem fio, nem pressione o botão com um objeto pontiagudo.**
19. **Feche sempre a tampa do encaixe durante a operação.**
20. **Não remova a unidade de comunicação sem fio do encaixe enquanto a energia elétrica estiver sendo alimentada.** Fazer isso poderá causar defeitos na unidade de comunicação sem fio.
21. **Não retire o adesivo da unidade de comunicação sem fio.**
22. **Não coloque adesivos na unidade de comunicação sem fio.**
23. **Não deixe a unidade de comunicação sem fio em um local onde possa haver geração de eletricidade estática ou de ruído elétrico.**
24. **Não deixe a unidade de comunicação sem fio nem o adaptador em um local sujeito a altas temperaturas, como por exemplo, em um veículo estacionado ao sol.**
25. **Não deixe a unidade de comunicação sem fio nem o adaptador em um local empoeirado ou onde possa haver geração de gases corrosivos.**
26. **Mudanças súbitas na temperatura podem causar condensação na unidade de comunicação sem fio. Não use a unidade de comunicação sem fio até que a condensação tenha secado completamente.**
27. **Para limpar a unidade de comunicação sem fio, passe cuidadosamente um pano macio seco. Não utilize benzina, tiner, graxa condutora ou produtos semelhantes.**
28. **Ao guardar a unidade de comunicação sem fio, mantenha-a no estojo fornecido ou em um recipiente antiestática.**
29. **Não insira nenhum outro dispositivo além da unidade de comunicação sem fio da Makita no encaixe do adaptador e da ferramenta.**
30. **Não use a ferramenta nem o adaptador se a tampa do encaixe estiver danificada.** A entrada de água, poeira ou sujeira no encaixe pode provocar defeitos.
31. **Não puxe nem torça a tampa do encaixe mais do que o necessário.** Se a tampa se soltar, recoloque-a.
32. **Substitua a tampa do encaixe se ela for perdida ou estiver danificada.**

GUARDE ESTAS INSTRUÇÕES.

INTRODUÇÃO

Descrição das peças



1	Adaptador	2	Tampa
3	Botão da ativação sem fio	4	Lâmpada da ativação sem fio
5	Gancho	6	Parafuso de fixação
7	Cabo	8	Indicador do número do canal
9	Botão seletor de canal	10	Lâmpada de advertência
11	Cinta	-	-

Indicação de uso

Este adaptador permite o uso de ferramentas Makita acionadas por bateria compatíveis quando se utiliza a função de partida/parada automática de um aspirador operado a partir da rede elétrica.

O adaptador conectado a um aspirador Makita recebe o sinal da ferramenta via conexão sem fio e o transmite para o aspirador para determinar a partida/parada deste. (função de ativação sem fio)

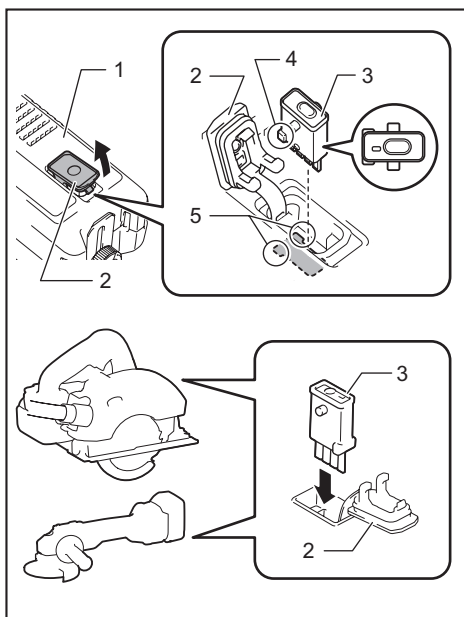
PREPARAÇÃO INICIAL

Instalação da unidade de comunicação sem fio

NOTA: A unidade de comunicação sem fio é fornecida como um acessório opcional em alguns países.

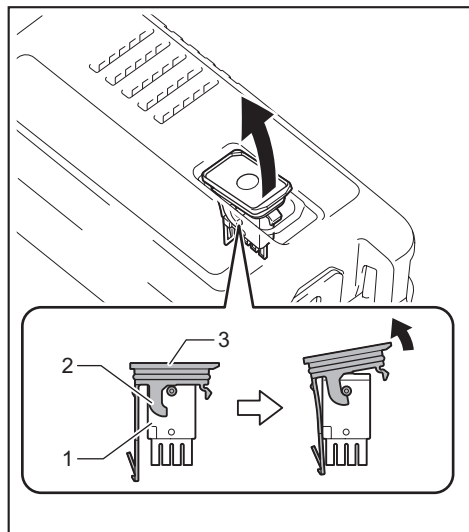
OBSERVAÇÃO: Para verificar as precauções de manuseio da unidade de comunicação sem fio, consulte o manual de instruções da ferramenta a ser usada com este adaptador.

Instale as unidades de comunicação sem fio no adaptador e na ferramenta conforme ilustrado. Ao colocar a unidade de comunicação sem fio, alinhe as projeções aos recessos no encaixe.



- 1. Adaptador 2. Tampa 3. Unidade de comunicação sem fio 4. Projeção 5. Recesso

Para remover a unidade de comunicação sem fio, abra a tampa lentamente. Os ganchos no verso da tampa levantarão a unidade de comunicação sem fio conforme a tampa for puxada para cima.



- 1. Unidade de comunicação sem fio 2. Gancho
3. Tampa

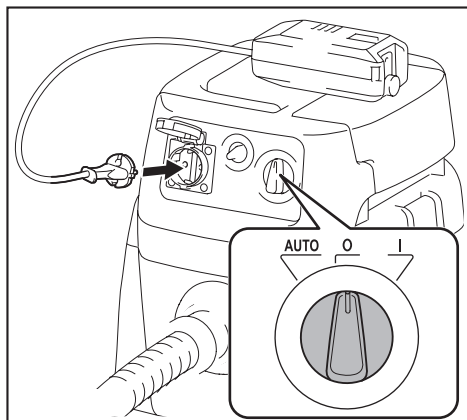
Depois de remover a unidade de comunicação sem fio, guarde-a no estojo fornecido ou em um recipiente antiestática.

OBSERVAÇÃO: Use sempre os ganchos no verso da tampa ao remover a unidade de comunicação sem fio. Se os ganchos não agarrarem a unidade de comunicação sem fio, feche a tampa completamente e torne a abri-la devagar.

Instalação do adaptador

OBSERVAÇÃO: Não insira o plugue do adaptador na tomada de outros aparelhos além do aspirador para a função de partida/parada automática.

Certifique-se de que o interruptor do modo de espera do aspirador está colocado na posição “O (DESL.)”. Conecte o cabo de alimentação do aspirador na rede elétrica e o cabo do adaptador na tomada do aspirador.

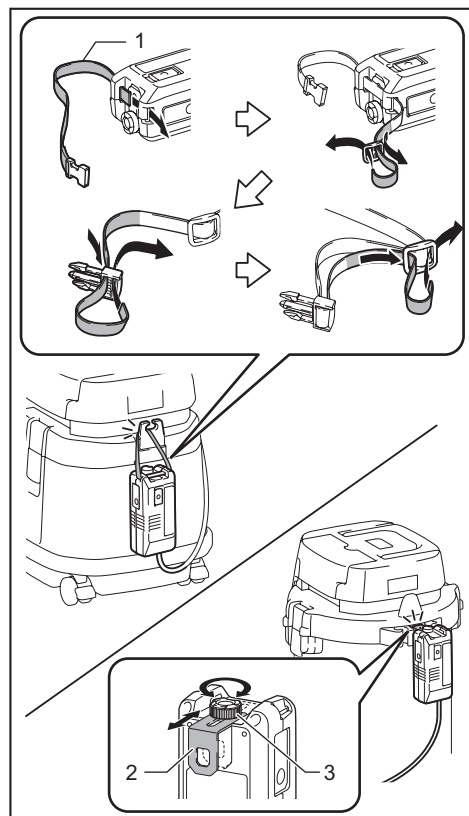


NOTA: Devido ao método de detecção da função de partida/parada automática do aspirador, alguns aspiradores podem começar a operar automaticamente por alguns poucos segundos quando:

- O cabo do adaptador é conectado e o interruptor do modo de espera do aspirador está colocado na posição “AUTO” ou equivalente.
- O interruptor do modo de espera do aspirador é passado para a posição “AUTO” ou equivalente e o plugue do adaptador está conectado à tomada do aspirador.

Isso não é um defeito.

Para evitar que o adaptador se solte e caia, prenda-o com a cinta ou o gancho, ou coloque-o sobre uma superfície estável. Use a cinta ou o gancho para prender o adaptador no aspirador. Para usar o gancho, solte o parafuso de fixação, estenda o gancho e aperte o parafuso de fixação. Quando não estiver usando o adaptador, desconecte o cabo do adaptador do aspirador.



► 1. Cinta 2. Gancho 3. Parafuso de fixação

Registro da ferramenta para o adaptador

Para registrar a ferramenta para o adaptador (unidade de comunicação sem fio), siga as orientações do manual de instruções da ferramenta a ser usada com este adaptador. Consulte a seção sobre o "registro da ferramenta".

NOTA: Siga as orientações do manual de instruções da ferramenta, substituindo o botão/lâmpada da ativação sem fio "do aspirador" por "do adaptador".

NOTA: Antes de iniciar o registro da ferramenta, certifique-se de que a unidade de comunicação sem fio está instalada no adaptador e que o adaptador está conectado à tomada do aspirador.

NOTA: As informações de registro da ferramenta são salvas na unidade de comunicação sem fio que está inserida no adaptador. Você pode usar um par de unidades de comunicação sem fio depois de terminado o registro das duas unidades de comunicação, com outra ferramenta e aspirador.

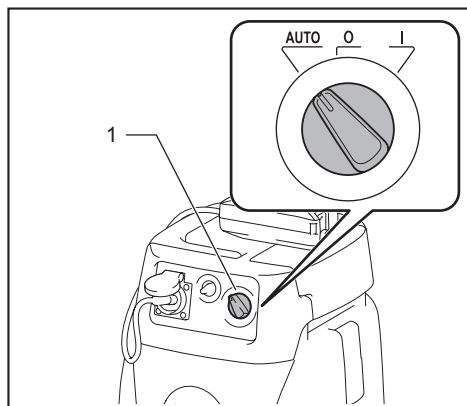
Seleção de canal

O canal de comunicação adequado varia de acordo com o aspirador a ser usado com o adaptador. Execute a seleção de canal quando:

- Estiver usando o adaptador pela primeira vez.
- Estiver usando outro aspirador, que ainda não tenha sido usado com o adaptador.

NOTA: O último canal que você selecionou será salvo depois que você desconectar o adaptador.

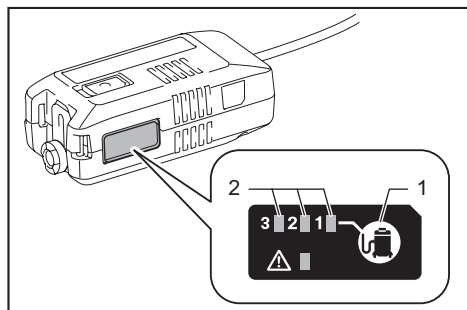
1. Coloque o interruptor do modo de espera do aspirador na posição "AUTO".



► 1. Interruptor do modo de espera

NOTA: Em alguns aspiradores, a posição "AUTO" do interruptor do modo de espera é descrita com um ícone ou palavra diferente. Nesse caso, coloque o aspirador na função de partida/parada automática.

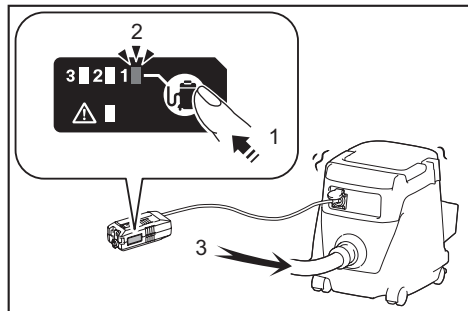
2. Confirme o número junto ao indicador do número do canal aceso. Esse é o número do canal que está sendo selecionado.



► 1. Botão seletor de canal 2. Indicador do número do canal

3. Pressione e mantenha pressionado o botão seletor de canal por mais de 2 segundos, para testar.

O indicador do número do canal irá piscar em verde por 15 segundos.



- ▶ 1. Botão seletor de canal sendo mantido pressionado (por 2 segundos ou mais) 2. O indicador do número do canal pisca (por 15 segundos) 3. O aspirador funciona quando o indicador do número do canal está piscando

4. Verifique se o aspirador funciona automática e corretamente enquanto o indicador do número do canal está piscando. Caso esteja, a seleção de canal está concluída.

Se o aspirador não estiver funcionando, ou se estiver funcionando incorretamente, passe para a próxima etapa.

NOTA: O funcionamento incorreto do aspirador, por exemplo, inclui quando ele funciona mas para logo em seguida ou quando a potência de aspiração é diferente daquela selecionada no aspirador.

5. Pressione o botão seletor de canal brevemente para selecionar outro número de canal.

6. Mantenha o botão seletor de canal pressionado por mais de 2 segundos, para testar e verificar se o aspirador está funcionando corretamente.

Se não estiver, repita as etapas 5 e 6 novamente.

Se o aspirador não funcionar em nenhum dos números de canal, pode ser que ele seja incompatível ou que haja algum problema com a configuração.

OPERAÇÃO

Para as operações a seguir, consulte o manual de instruções da ferramenta a ser usada com este adaptador:

- Inicialização da função de ativação sem fio
- Cancelamento do registro da ferramenta

NOTA: Siga as orientações do manual de instruções da ferramenta, substituindo o botão/lâmpada da ativação sem fio “do aspirador” por “do adaptador”.

NOTA: Antes de executar as operações acima, certifique-se de:

- Instalar a unidade de comunicação sem fio no aspirador.
- Conectar o adaptador à tomada do aspirador com o interruptor do modo de espera do aspirador na posição “O (DESL.)”.

NOTA: A distância da transmissão sem fio varia de acordo com o modelo do aspirador que está sendo usado.

Como apagar todos os registros das ferramentas

Você pode apagar todos os registros das ferramentas do adaptador (unidade de comunicação sem fio) como se segue.

1. Certifique-se de que o interruptor do modo de espera do aspirador está colocado na posição “O (DESL.)” e conecte o cabo de alimentação do aspirador na rede elétrica.
2. Instale as unidades de comunicação sem fio no aspirador.
3. Conecte o cabo do adaptador na tomada do aspirador.
4. Coloque o interruptor do modo de espera do aspirador na função de partida/parada automática.

NOTA: Em alguns aspiradores, a posição “AUTO” do interruptor do modo de espera é descrita com um ícone ou palavra diferente. Nesse caso, coloque o aspirador na função de partida/parada automática.

5. Mantenha o botão da ativação sem fio pressionado no adaptador por cerca de 6 segundos, até que a lâmpada da ativação sem fio pisque em vermelho (cerca de duas vezes por segundo).

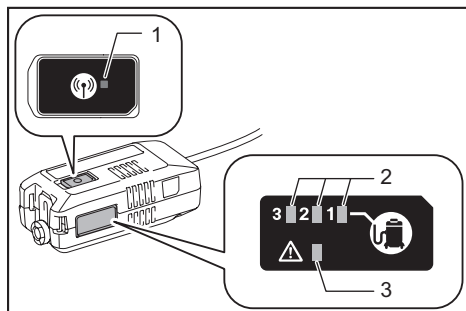
6. Quando a lâmpada da ativação sem fio começar a piscar em vermelho, solte o dedo do botão da ativação sem fio. Em seguida, pressione novamente o botão da ativação sem fio por cerca de 6 segundos.

7. Quando a lâmpada da ativação sem fio começar a piscar em vermelho rapidamente (cerca de 5 vezes por segundo), solte o dedo do botão da ativação sem fio. Quando a lâmpada da ativação sem fio acender em vermelho e depois apagar, todos os registros das ferramentas terão sido apagados.

NOTA: Se a lâmpada da ativação sem fio não piscar em vermelho, pressione o botão da ativação sem fio brevemente e tente novamente.

Descrição do status da lâmpada

Consulte a tabela abaixo para obter o significado do status da lâmpada.



► 1. Lâmpada da ativação sem fio 2. Indicador do número do canal 3. Lâmpada de advertência

Lâmpada	Status	Cor	Acesa	Piscando	Duração	Descrição
			<input type="checkbox"/>	<input type="checkbox"/>		
Lâmpada da ativação sem fio	Em espera	Azul	<input checked="" type="checkbox"/>		Adaptador: continuamente Ferramenta: 2 horas	Aguardando o registro da ferramenta ou a função de ativação sem fio está disponível. A lâmpada do adaptador pisca quando o interruptor do modo de espera do aspirador está colocado na posição "AUTO" ou equivalente. A lâmpada da ferramenta pisca quando o botão da ativação sem fio é pressionado. A lâmpada da ferramenta apaga automaticamente quando nenhuma operação é realizada por 2 horas.
			<input type="checkbox"/>		Quando a ferramenta está funcionando.	A ativação sem fio do aspirador está disponível e a ferramenta está funcionando.
	Registro da ferramenta	Verde	<input checked="" type="checkbox"/>		20 segundos	Pronto para o registro da ferramenta. Procurando a ferramenta a ser registrada.
			<input type="checkbox"/>		2 segundos	O registro da ferramenta foi concluído. A lâmpada da ativação sem fio começará a piscar em azul.
	Cancelando/apagando o registro da ferramenta	Vermelho	<input checked="" type="checkbox"/>		20 segundos (lentamente: 2 vezes/segundo)	Pronto para o cancelamento do registro da ferramenta. Procurando a ferramenta a ser cancelada.
			<input checked="" type="checkbox"/>		Quando o botão da ativação sem fio é pressionado. (rapidamente: 5 vezes/segundo)	Pronto para apagar todos os registros das ferramentas.
			<input type="checkbox"/>		2 segundos	O registro da ferramenta foi cancelado/apagado. A lâmpada da ativação sem fio começará a piscar em azul.
	Outros	Vermelho	<input type="checkbox"/>		3 segundos	A energia elétrica está sendo alimentada na unidade de comunicação sem fio e a função de ativação sem fio está sendo inicializada.
Apagada		-	-	-	O interruptor do modo de espera do aspirador não está colocado na posição "AUTO" ou equivalente.	
Indicador do número do canal	Seleção do número do canal	Verde	<input type="checkbox"/>		Continuamente	O número do canal aceso é selecionado.
	Teste	Verde	<input checked="" type="checkbox"/>		15 segundos	O adaptador está testando a comunicação com o aspirador através do número do canal selecionado.
Lâmpada de advertência	Aquecimento excessivo ou outro problema	Vermelho	<input checked="" type="checkbox"/>		Continuamente	O adaptador está quente demais ou tem outro problema. Desconecte o adaptador do aspirador. Limpe as aberturas de ventilação do adaptador, deixe-o resfriar por algum tempo e verifique se está funcionando corretamente. Se o adaptador não estiver funcionando corretamente, entre em contato com nosso centro de assistência técnica autorizado para providenciar reparos.

Diagnóstico e resolução de problemas da função de ativação sem fio

Antes de iniciar o diagnóstico e resolução de problemas, verifique o seguinte:

- Se a unidade de comunicação sem fio está instalada no adaptador.
- Se o adaptador está conectado à tomada do aspirador.

Antes de solicitar reparos, realize a sua própria inspeção. Consulte também a seção de diagnóstico e resolução de problemas deste manual de instruções.

Se você encontrar um problema que não esteja explicado no manual, não tente desmontar a ferramenta. Em vez disso, solicite serviço a um centro de assistência técnica autorizado da Makita, usando sempre peças de reposição originais Makita.

Estado de anormalidade	Causa provável (funcionamento incorreto)	Reparação
Não é possível realizar/cancelar o registro da ferramenta com sucesso.	Os procedimentos de registro da ferramenta para a ferramenta ou o adaptador não foram concluídos.	Execute os procedimentos de registro da ferramenta para a ferramenta e o adaptador ao mesmo tempo.
O aspirador não funciona com a operação do interruptor da ferramenta.	O botão da ativação sem fio da ferramenta não foi pressionado.	Pressione brevemente o botão da ativação sem fio e certifique-se de que a lâmpada da ativação sem fio está piscando em azul.
	O interruptor do modo de espera do aspirador não está colocado na posição "AUTO".	Coloque o interruptor do modo de espera do aspirador na posição "AUTO".
	A ferramenta e o adaptador estão afastados demais um do outro (fora do alcance da transmissão).	Aproxime mais a ferramenta e o adaptador. A distância máxima de transmissão é de cerca de 10 m, mas isso pode variar de acordo com as circunstâncias.
	Seleção incorreta de canal	O canal selecionado não é apropriado para o aspirador que está sendo usado. Consulte "Seleção de canal" para verificar como configurar.
	Um aspirador não compatível está sendo usado.	Use um aspirador Makita com a função de partida/parada automática.
	Existem mais de 10 ferramentas registradas para o adaptador.	Execute o registro da ferramenta novamente. Se mais de 10 ferramentas forem registradas para o adaptador, a ferramenta registrada há mais tempo será automaticamente cancelada.
	O adaptador apagou todos os registros das ferramentas.	Execute o registro da ferramenta novamente.
Não é possível apagar todos os registros das ferramentas	O botão da ativação sem fio da ferramenta está sendo pressionado.	Pressione o botão da ativação sem fio do adaptador para apagar todos os registros das ferramentas.
	O interruptor do modo de espera do aspirador não está colocado na posição "AUTO".	Coloque o interruptor do modo de espera do aspirador na posição "AUTO".
	O botão da ativação sem fio não foi mantido pressionado corretamente.	Mantenha o botão da ativação sem fio pressionado por mais de 6 segundos e solte-o quando a lâmpada da ativação sem fio piscar em vermelho. Mantenha o botão da ativação sem fio pressionado por mais de 6 segundos novamente, até que a lâmpada da ativação sem fio pisque rapidamente em vermelho, e então solte-o.
O aspirador funciona automaticamente quando: - O adaptador é conectado ao aspirador. - O interruptor do modo de espera do aspirador é passado para a posição "AUTO".	O método de detecção da função de partida/parada automática do aspirador.	Se o aspirador para de funcionar por alguns poucos segundos, você pode usar a função de ativação sem fio da maneira usual. Se o aspirador continua a funcionar por 20 segundos ou mais e você pode pará-lo desconectando o adaptador, pode-se presumir um defeito do adaptador. Entre em contato com nosso centro de assistência técnica autorizado.

NOTA: Em alguns aspiradores, a posição "AUTO" do interruptor do modo de espera é descrita com um ícone ou palavra diferente. Nesse caso, coloque o aspirador na função de partida/parada automática.

MANUTENÇÃO

⚠️ PRECAUÇÃO: Certifique-se sempre de que o adaptador está desconectado da tomada antes de tentar executar inspeções ou manutenção.

⚠️ OBSERVAÇÃO: Nunca use gasolina, benzina, diluente, álcool ou produtos semelhantes. Pode ocorrer descoloração, deformação ou rachaduras.

Para manter a SEGURANÇA e a CONFIABILIDADE do produto, os reparos e qualquer outra manutenção ou ajustes devem ser feitos pelos centros autorizados de assistência técnica da Makita ou na própria fábrica da Makita, utilizando sempre peças originais Makita.

ACESSÓRIOS OPCIONAIS

⚠️ PRECAUÇÃO: Os acessórios ou extensões especificados neste manual são recomendados para utilização com a sua ferramenta Makita. A utilização de quaisquer outros acessórios ou extensões pode causar risco de ferimentos. Utilize o acessório ou extensão apenas para o fim a que se destina.

Se necessitar de informações adicionais relativas a estes acessórios, solicite-as ao centro de assistência técnica Makita em sua região.

- Unidade de comunicação sem fio

NOTA: Alguns itens da lista podem estar incluídos na embalagem da ferramenta como acessórios padrão. Eles podem variar de país para país.

GARANTIA LIMITADA DA MAKITA

Consulte a folha de garantia anexa para verificar os termos de garantia mais atuais aplicáveis a este produto. Se a folha de garantia anexa não estiver disponível, consulte os detalhes de garantia definidos no website abaixo para o seu país.

Estados Unidos: www.makitatools.com

Canadá: www.makita.ca

Outros países: www.makita.com

Makita Corporation
3-11-8, Sumiyoshi-cho,
Anjo, Aichi 446-8502 Japan
www.makita.com

885690A933
WUT02-1
EN, FRCA, ESMX,
PTBR
20180927