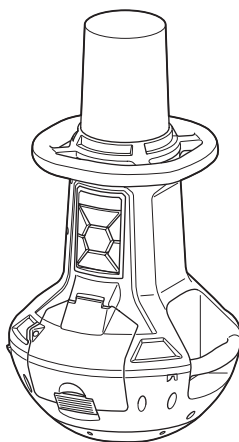


INSTRUCTION MANUAL
MANUEL D'INSTRUCTION
MANUAL DE INSTRUCCIONES



Cordless Area Worklight Lampe de Zone Chantier Luz Inalámbrica para Área de Trabajo

DML810



IMPORTANT: Read Before Using.

IMPORTANT : Lire avant usage.

IMPORTANTE: Lea antes de usar.

SPECIFICATIONS

Model:	DML810
LED	0.2 W x 202
Rated voltage	A.C. 100V - 240V, 50/60Hz D.C. 14.4V / 18V
Luminous flux	5,500lm / 3,000lm / 1,500lm
Operating time (with BL1860B x2, all LEDs light up)	4 hours (5,500lm) / 18 hours (1,500lm)
Maximum number of interconnectable appliances	8
Operating temperature	0 °C ~ 40 °C
Storage temperature	-20 °C ~ 60 °C
Dimensions (L x W x H)	420 mm x 420 mm x 787 mm (16-1/2" x 16-1/2" x 31")
Net weight (without battery cartridge and power cord)	13.9kg (30.6lbs)
Protection degree	DC: IP54 (only powered by battery pack) AC: IP20

- Due to our continuing program of research and development, the specifications herein are subject to change without notice.
- Specifications may differ from country to country.
- Operating times are approximate and may differ depending on battery type, charging status, and usage condition.

Applicable battery cartridge and charger







Battery cartridge	D.C.14.4 V Model	BL1430B
	D.C.18 V Model	BL1815N / BL1820B / BL1830 / BL1830B / BL1840B / BL1850B / BL1860B
Charger		DC18RC / DC18RD / DC18RE / DC18SD / DC18SE / DC18SF / DC18SH

- Some of the battery cartridges and chargers listed above may not be available depending on your region of residence.

⚠ WARNING: Only use the battery cartridges and chargers listed above. Use of any other battery cartridges and chargers may cause injury and/or fire.

Symbols

The followings show the symbols used for the equipment. Be sure that you understand their meaning before use.

	Take particular care and attention.
	Optical Radiation (UV and IR). Minimize exposure to eyes or skin.
	Do not stare at operating lamp.
	Use appropriate shielding or eyes protection.
	Do not use the appliance in the rain or snow when using with AC power.
	Breaker restart button.

SAFETY WARNINGS

IMPORTANT SAFETY INSTRUCTIONS

WARNING – When using flashlights or lanterns, additional precautions should always be followed, including the following:

1. **When the appliance is not in use, always switch off, and unplug / remove the battery cartridge from the appliance.**
2. **Do not cover the lamp, or clog the vent of the appliance with cloth or carton, etc.** Otherwise it may cause a flame.
3. **When using the appliance with AC power, do not use the appliance in damp or wet locations.**

4. **Do not expose the appliance to rain or snow. Never wash it in water.**
5. **Do not use the appliance in explosive atmospheres, such as in the presence of flammable liquids, gases or dust.**
6. **Appliance plugs must match the outlet. Never modify the plugs in any way.** Use of unmodified plugs and matching outlet will reduce risk of electric shock.
7. **When operating the appliance, avoid body contact with earthed or grounded surfaces such as pipes, radiators, microwave ovens, or refrigerators.** There is an increased risk of electric shock if your body is earthed or grounded.
8. **Do not abuse the cord. Never use the cord for carrying, pulling or unplugging the appliance. Keep cord away from heat, oil, sharp edges or moving parts.** Damaged or entangled cords increase the risk of electric shock.
9. **When operating the appliance outdoors, use an extension cord suitable for outdoor use. Use of a cord suitable for outdoor use reduces the risk of electric shock.**
10. **If the external flexible cable or cord of this luminaire is damaged, it shall be replaced by a special cord or cord exclusively available from the manufacturer or his service agent.**
11. **Do not stare at the source of light directly.**
12. **Do not handle the plug with wet or greasy hand.**
13. **Always place the appliance on a level and stable place.** Otherwise a falling accident may occur.
14. **Always place the appliance in upright position.**
15. **The light source contained in this luminaire shall only be replaced by the manufacture or his service agent or a similar qualified person.**
16. **Do not leave the power cord disconnected from the appliance while the power is supplied from an outlet.** Doing so might cause an electric shock.
17. **Do not use the carrying handle any other purpose than carrying the appliance, such as hoisting.**
18. **Do not expose the appliance to sparks or corrosive atmosphere, etc.**
19. **To reduce the risk of injury, close supervision is necessary when a product is used near children.**
20. **Do not contact hot parts.**
21. **Unplug from outlet when not in use and before servicing or cleaning.**
22. **Do not operate any product with a damaged (cord or) plug, or after the product malfunctions or is dropped or damaged in any manner. Return product to the nearest authorized service facility for examination, repair, or electrical or mechanical adjustment.**
23. **Connect to a properly grounded outlet only. See Grounding Instructions.**
24. **The outlet is live whenever the product is plugged in. The outlet is not switched on or off by the switch.**
25. **Use only extension cords which have plugs and receptacles which accept the product's plug. Replace damaged extension cords.**
26. **Make sure your extension cord is in good condition. When using an extension cord, be sure to use one heavy enough to carry the current your product will draw. An undersized extension cord will cause a drop in line voltage resulting in loss of power and overheating. Table 1 shows the correct size to use depending on cord length and nameplate ampere rating. If in doubt, use the next heavier gage. The smaller the gage number, the heavier the cord.**
27. **Don't Abuse Cord – Never carry product by cord or yank it to disconnect from receptacle. Keep cord from heat, oil, and sharp edges.**
28. **Do not insert foreign objects into this product.**
29. **Servicing of a product requires extreme care and knowledge of the system, and should be done only by qualified service personnel. Replacement parts for a product must be identical to those parts in the product.**
30. **Store product indoors when not in use.**
31. **Keep out of reach of children.**
32. **Do not clean this product with a water spray or the like. Follow manufacturers cleaning instructions.**

Table 1: Minimum gage for cord

Volts		Total length of cord in feet			
120V		25 ft.	50 ft.	100 ft.	150 ft.
220V - 240V		50 ft.	100 ft.	200 ft.	300 ft.
Ampere rating					
More Than	Not More Than	AWG			
0 A	6 A	18	16	14	12
6 A	10 A				
10 A	12 A	16	16	14	12
12 A	16 A	14	12	Not Recommended	

GROUNDING INSTRUCTIONS

This product must be grounded. In the event of mal-function or breakdown, grounding provides a path of least resistance for electric current to reduce the risk of electric shock. This product is equipped with a cord having an equipment-grounding conductor and a grounding plug. The plug must be plugged into an appropriate outlet that is properly installed and grounded in accordance with all local codes and ordinances.

DANGER – Improper connection of the equipment-grounding conductor can result in a risk of electric shock. The conductor with insulation having an outer surface that is green with or without yellow stripes is the equipment-grounding conductor. If repair or replacement of the cord or plug is necessary, do not connect the equipment-grounding conductor to a live terminal. Check with a qualified electrician or serviceman if the grounding instructions are not completely understood, or if in doubt as to whether the product is properly grounded. Do not modify the plug provided with the product – if it will not fit the outlet, have a proper outlet installed by a qualified electrician.

A qualified electrician should be consulted if there is any doubt as to whether an outlet box is properly grounded.

Battery tool use and care

1. **Prevent unintentional starting.** Ensure the switch is in the off-position before connecting to battery pack, picking up or carrying the appliance. Carrying the appliance with your finger on the switch or energizing appliance that have the switch on invites accidents.
2. **Disconnect the battery pack from the appliance before making any adjustments, changing accessories, or storing appliance.** Such preventive safety measures reduce the risk of starting the appliance accidentally.
3. **Recharge only with the charger specified by the manufacturer.** A charger that is suitable for one type of battery pack may create a risk of fire when used with another battery pack.
4. **Use power tools only with specifically designated battery packs.** Use of any other battery packs may create a risk of injury and fire.
5. **When battery pack is not in use, keep it away from other metal objects, like paper clips, coins, keys, nails, screws or other small metal objects, that can make a connection from one terminal to another.** Shorting the battery terminals together may cause burns or a fire.
6. **Under abusive conditions, liquid may be ejected from the battery; avoid contact. If contact accidentally occurs, flush with water. If liquid contacts eyes, additionally seek medical help.** Liquid ejected from the battery may cause irritation or burns.
7. **Do not use a battery pack or tool that is damaged or modified.** Damaged or modified batteries may exhibit unpredictable behaviour resulting in fire, explosion or risk of injury.
8. **Do not expose a battery pack or tool to fire or excessive temperature.** Exposure to fire or temperature above 130 °C may cause explosion.

9. **Follow all charging instructions and do not charge the battery pack or tool outside the temperature range specified in the instructions.** Charging improperly or at temperatures outside the specified range may damage the battery and increase the risk of fire.
10. **Have servicing performed by a qualified repair person using only identical replacement parts.** This will ensure that the safety of the product is maintained.
11. **Do not modify or attempt to repair the appliance or the battery pack except as indicated in the instructions for use and care.**

SERVICE

1. This appliance service must be performed only by qualified repair personnel. Service or maintenance performed by unqualified personnel could result in a risk of injury.
2. When servicing this appliance, use only identical replacement parts. Use of unauthorized parts or failure to follow maintenance instructions may create a risk of electric shock or injury.
3. Do not incinerate this appliance, even if it is severely damaged. The batteries can explode in a fire. Dispose of the appliance in accordance with the local regulations.

Important safety instructions for battery cartridge

1. **Before using battery cartridge, read all instructions and cautionary markings on (1) battery charger, (2) battery, and (3) product using battery.**
2. **Do not disassemble battery cartridge.**
3. **If operating time has become excessively shorter, stop operating immediately. It may result in a risk of overheating, possible burns and even an explosion.**
4. **If electrolyte gets into your eyes, rinse them out with clear water and seek medical attention right away. It may result in loss of your eyesight.**
5. **Do not short the battery cartridge:**
 - (1) **Do not touch the terminals with any conductive material.**
 - (2) **Avoid storing battery cartridge in a container with other metal objects such as nails, coins, etc.**
 - (3) **Do not expose battery cartridge to water or rain.**

A battery short can cause a large current flow, overheating, possible burns and even a breakdown.
6. **Do not store the tool and battery cartridge in locations where the temperature may reach or exceed 50 °C (122 °F).**
7. **Do not incinerate the battery cartridge even if it is severely damaged or is completely worn out. The battery cartridge can explode in a fire.**
8. **Be careful not to drop or strike battery.**
9. **Do not use a damaged battery.**

10. **The contained lithium-ion batteries are subject to the Dangerous Goods Legislation requirements.**
For commercial transports e.g. by third parties, forwarding agents, special requirement on packaging and labeling must be observed.
For preparation of the item being shipped, consulting an expert for hazardous material is required. Please also observe possibly more detailed national regulations.
Tape or mask off open contacts and pack up the battery in such a manner that it cannot move around in the packaging.
11. **When disposing the battery cartridge, remove it from the tool and dispose of it in a safe place. Follow your local regulations relating to disposal of battery.**
12. **Use the batteries only with the products specified by Makita.** Installing the batteries to non-compliant products may result in a fire, excessive heat, explosion, or leak of electrolyte.
13. **If the tool is not used for a long period of time, the battery must be removed from the tool.**

SAVE THESE INSTRUCTIONS.

⚠ CAUTION: Only use genuine Makita batteries. Use of non-genuine Makita batteries, or batteries that have been altered, may result in the battery bursting causing fires, personal injury and damage. It will also void the Makita warranty for the Makita tool and charger.

Tips for maintaining maximum battery life

1. **Charge the battery cartridge before completely discharged. Always stop tool operation and charge the battery cartridge when you notice less tool power.**
2. **Never recharge a fully charged battery cartridge. Overcharging shortens the battery service life.**
3. **Charge the battery cartridge with room temperature at 10 °C - 40 °C (50 °F - 104 °F). Let a hot battery cartridge cool down before charging it.**
4. **Charge the battery cartridge if you do not use it for a long period (more than six months).**

FCC caution

For United States

This device complies with Part 15 of the FCC Rules. Operation is subject to the following two conditions:
(1) this device may not cause harmful interference, and
(2) this device must accept any interference received, including interference that may cause undesired operation.
Changes or modifications not expressly approved by the party responsible for compliance could void the user's authority to operate the equipment.

Note: This equipment has been tested and found to comply with the limits for a Class B digital device, pursuant to part 15 of the FCC Rules. These limits are designed to provide reasonable protection against harmful interference in a residential installation. This equipment generates, uses and can radiate radio frequency energy and, if not installed and used in accordance with the instructions, may cause harmful interference to radio communications. However, there is no guarantee that interference will not occur in a particular installation. If this equipment does cause harmful interference to radio or television reception, which can be determined by turning the equipment off and on, the user is encouraged to try to correct the interference by one or more of the following measures:

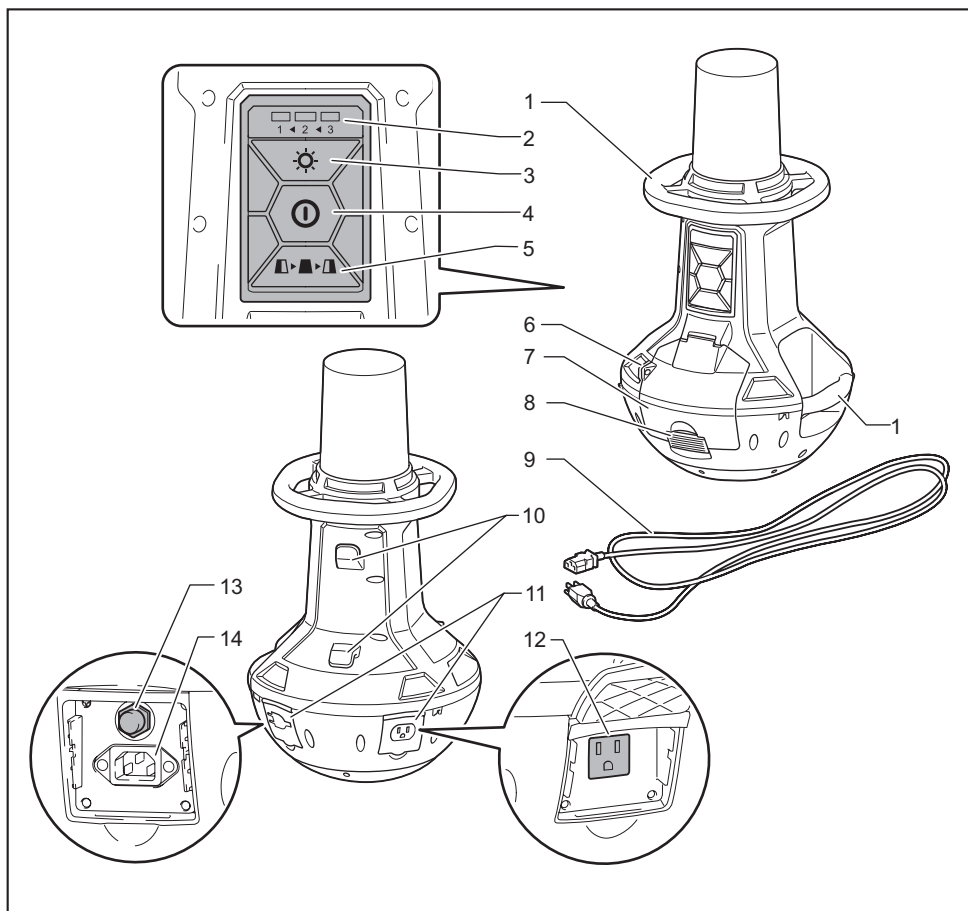
- Reorient or relocate the receiving antenna.
- Increase the separation between the equipment and receiver.
- Connect the equipment into an outlet on a circuit different from that to which the receiver is connected.
- Consult the dealer or an experienced radio/TV technician for help.

ICES-005 standard

For Canada

CAN ICES-005(B)/NMB-005(B)

PARTS DESCRIPTION



1	Carrying handle	2	Brightness indicator	3	Brightness change button
4	Power switch button	5	Lighting area change button	6	Hole for padlock
7	Battery cover	8	Cover lock	9	Power cord
10	Hook for power cord	11	Socket cover	12	AC outlet
13	Breaker restart button	14	AC inlet	-	-

NOTE: The shape of the plug of the power cord varies from country to country.

FUNCTIONAL DESCRIPTION

CAUTION: Always be sure that the appliance is switched off and the battery cartridge is removed before adjusting or checking function on the appliance.

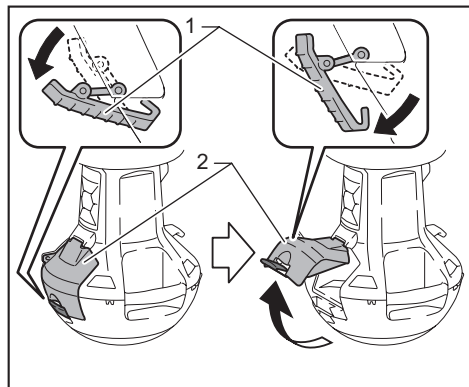
Installing or removing battery cartridge

CAUTION: Always switch off the appliance before installing or removing of the battery cartridge.

CAUTION: Hold the appliance and the battery cartridge firmly when installing or removing battery cartridge. Failure to hold the appliance and the battery cartridge firmly may cause them to slip off your hands and result in damage to the appliance and battery cartridge and a personal injury.

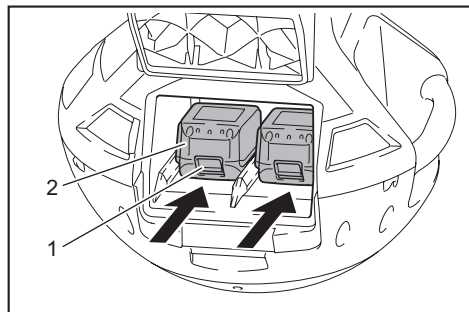
CAUTION: Be careful not to trap finger(s) between the appliance and battery cartridge when loading battery cartridge as well as between the appliance and the battery cover when closing the battery cover.

To install the battery cartridge, release the cover lock, and open the battery cover.



► 1. Cover lock 2. Battery cover

To install the battery cartridge, align the tongue on the battery cartridge with the groove in the housing and slip it into place. Insert it all the way until it locks in place with a little click. Then close the battery cover.



► 1. Button 2. Battery cartridge

To remove the battery cartridge, slide it from the appliance while sliding the button on the front of the cartridge.

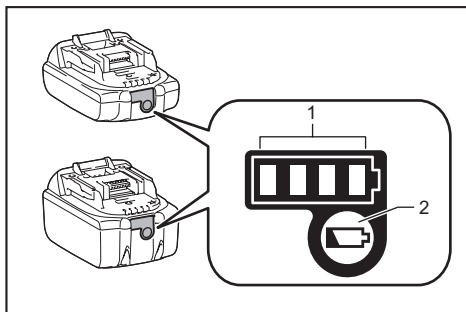
CAUTION: Always install the battery cartridge fully. If not, it may accidentally fall out of the appliance, causing injury to you or someone around you.

CAUTION: Do not install the battery cartridge forcibly. If the cartridge does not slide in easily, it is not being inserted correctly.

NOTE: Up to two battery cartridges can be installed, although the appliance uses one battery cartridge for operation.

Indicating the remaining battery capacity

Only for battery cartridges with the indicator



► 1. Indicator lamps 2. Check button

Press the check button on the battery cartridge to indicate the remaining battery capacity. The indicator lamps light up for a few seconds.

Indicator lamps			Remaining capacity
Lighted	Off	Blinking	
■ ■ ■ ■			75% to 100%
■ ■ ■ □			50% to 75%
■ ■ □ □			25% to 50%
■ □ □ □			0% to 25%
▣ □ □ □			Charge the battery.
■ ■ □ □			The battery may have malfunctioned.
□ □ ■ ■			

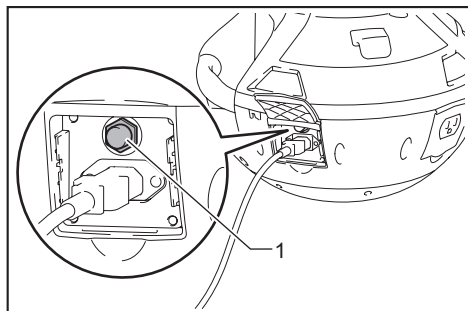
NOTE: Depending on the conditions of use and the ambient temperature, the indication may differ slightly from the actual capacity.

Appliance / battery protection system

The appliance is equipped with the protection system. This system automatically cuts off power to extend appliance and battery life. The appliance will automatically stop during operation if the appliance or battery is placed under one of the following conditions.

Overload protection

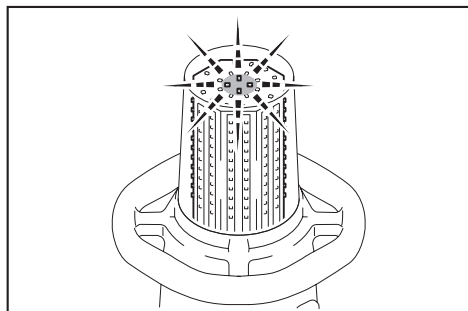
When the appliance is operated in a manner that causes it to draw an abnormally high current, the appliance automatically stops without any indication. In this situation, remove and install the battery cartridge when using with DC power, or push the breaker restart button when using AC power. Then turn the appliance on to restart.



► 1. Breaker restart button

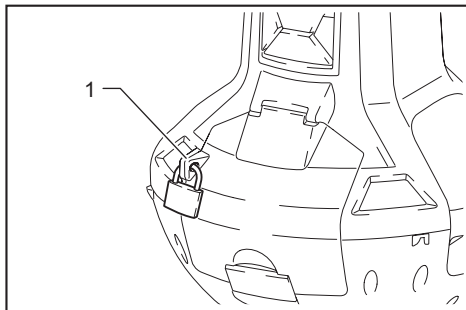
Overdischarge protection

When the battery capacity becomes low, the LED lights go out except a part of LEDs as illustrated. Then approximately five to ten minutes later, the system automatically cuts off power. In this situation, remove the battery cartridge from the appliance and charge it.



Hole for padlock

For anti-theft of battery cartridges, hole for padlock is provided.



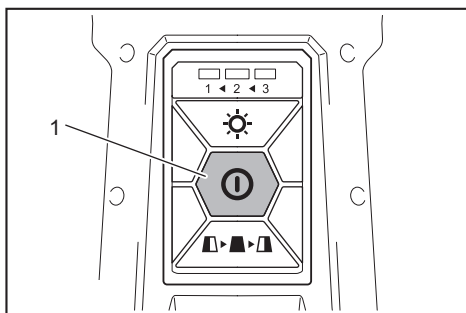
► 1. Hole for padlock

OPERATION

CAUTION: This appliance is intended for commercial use. Do not use the appliance for household purpose.

Turning on / off the appliance

Press the power switch button to turn on the appliance. Press the power switch button again to turn off the appliance.

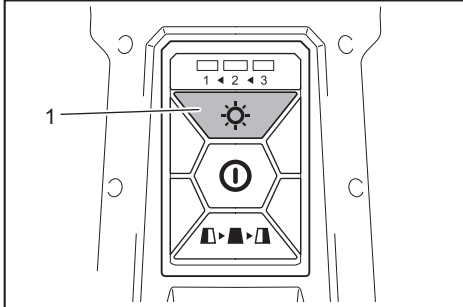


► 1. Power switch button

NOTE: The appliance turns on at the same mode as the last setting.

Changing brightness

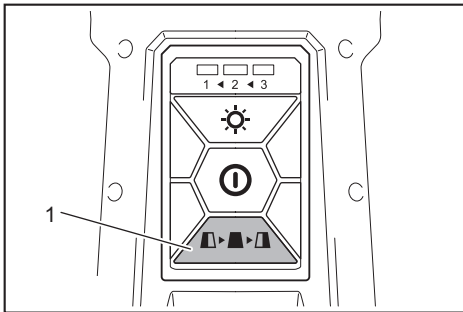
Press the brightness change button while the appliance is operating. The brightness decreases every time you press the brightness change button. The brightness will return to the highest when operating in the lowest brightness.



► 1. Brightness change button

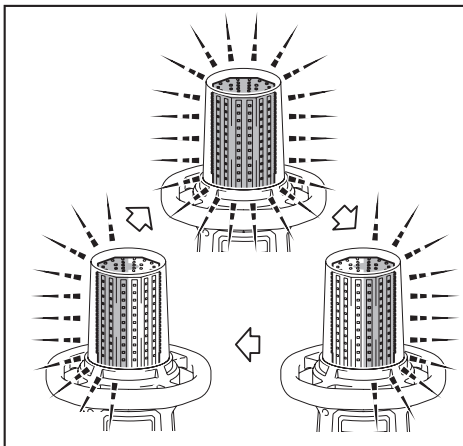
Changing lighting area

Press the lighting area change button while the appliance is operating.



► 1. Lighting area change button

The lighting area changes every time you press the lighting area change button as illustrated.



Using with AC power

⚠ WARNING: Never use the appliance when the cord or plug is damaged.

⚠ WARNING: Do not handle the plug with wet or greasy hand.

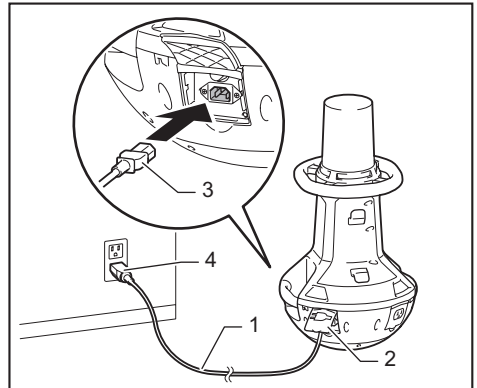
⚠ WARNING: Do not leave the power cord disconnected from the appliance while the power is supplied from the mains. Small children may put the live plug in their mouth and cause injury.

⚠ WARNING: Do not put the live plug or cord into your mouth. Doing so might cause an electric shock.

⚠ WARNING: Make sure that the voltage rating of the main power supply corresponds with that of the appliance.

⚠ WARNING: An outlet that is plugged must be grounded.

When using the appliance with AC power, use the power cord supplied with the appliance. Insert the plug to AC inlet of the appliance and then insert the other end to an outlet.



► 1. Power cord 2. Socket cover (AC inlet) 3. Plug (for the appliance) 4. Plug (for an outlet)

⚠ CAUTION: Be sure to insert the plug into the appliance first, then insert the other end to an outlet.

⚠ CAUTION: Always close the socket cover firmly when the power cord is not plugged.

NOTE: Even operating in DC power, the appliance automatically changes to AC power when the power cord plugged in.

NOTE: The AC power does not charge the battery inserted to the appliance.

NOTE: The shape of the plug of the power cord varies from country to country.

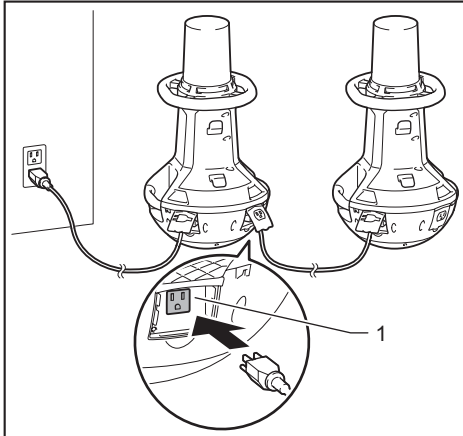
Interconnected use

CAUTION: Do not connect any appliance other than DML810 to AC outlet.

CAUTION: Always use the power cord supplied with the appliance.

CAUTION: Do not interconnect appliances beyond the maximum number of interconnectable appliances specified in the instruction.

When using the appliance interconnected with other appliance, connect them with the power cord. Insert the plug into the AC inlet of the appliance to be powered, and then insert the other end to the AC outlet of the appliance to power.

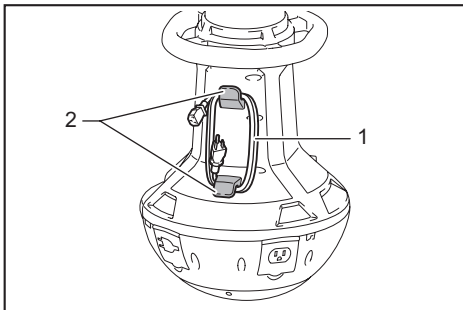


► 1. AC outlet

NOTE: When using the appliances interconnected, operations such as turning on / off, changing brightness, and changing lighting area are not linked. Each appliance needs to be operated.

Organizing the power cord

Coil the power cord on the hook for power cord tightly.



► 1. Power cord 2. Hook for power cord

MAINTENANCE

CAUTION: Always be sure that the appliance is switched off, unplugged, and the battery cartridge is removed before attempting to perform inspection or maintenance.

NOTICE: Never use gasoline, benzine, thinner, alcohol or the like. Discoloration, deformation or cracks may result.

To maintain product SAFETY and RELIABILITY, repairs, any other maintenance or adjustment should be performed by Makita Authorized or Factory Service Centers, always using Makita replacement parts.

OPTIONAL ACCESSORIES

CAUTION: These accessories or attachments are recommended for use with your Makita tool specified in this manual. The use of any other accessories or attachments might present a risk of injury to persons. Only use accessory or attachment for its stated purpose.

If you need any assistance for more details regarding these accessories, ask your local Makita Service Center.

- Makita genuine battery and charger

NOTE: Some items in the list may be included in the tool package as standard accessories. They may differ from country to country.

MAKITA LIMITED WARRANTY

Please refer to the annexed warranty sheet for the most current warranty terms applicable to this product. If annexed warranty sheet is not available, refer to the warranty details set forth at below website for your respective country.

United States of America: www.makitatools.com

Canada: www.makita.ca

Other countries: www.makita.com

SPÉCIFICATIONS

Modèle :	DML810
DEL	0,2 W x 202
Tension nominale	C.A. 100 V - 240 V, 50/60 Hz C.C. 14,4 V / 18 V
Flux lumineux	5 500 lm / 3 000 lm / 1 500 lm
Temps de fonctionnement (avec BL1860B x 2, toutes les DEL allumées)	4 heures (5 500 lm) / 18 heures (1 500 lm)
Nombre maximum d'appareils interconnectables	8
Température de fonctionnement	0 °C à 40 °C
Température de rangement	-20 °C à 60 °C
Dimensions (L x P x H)	420 mm x 420 mm x 787 mm (16-1/2" x 16-1/2" x 31")
Poids net (sans batterie ni cordon d'alimentation)	13,9 kg (30,6 lbs)
Degré de protection	C.C. : IP54 (uniquement alimenté par batterie) C.A. : IP20

- Étant donné l'évolution constante de notre programme de recherche et développement, les spécifications contenues dans ce manuel sont sujettes à modification sans préavis.
- Les spécifications peuvent varier suivant les pays.
- Les temps de fonctionnement sont approximatifs et peuvent varier suivant le type de batterie, l'état de charge et les conditions d'utilisation.

Batteries et chargeurs applicables







Batterie	Modèle C.C. 14,4 V	BL1430B
	Modèle C.C. 18 V	BL1815N / BL1820B / BL1830 / BL1830B / BL1840B / BL1850B / BL1860B
Chargeur		DC18RC / DC18RD / DC18RE / DC18SD / DC18SE / DC18SF / DC18SH

- Suivant la région où vous habitez, il se peut que certaines des batteries et certains des chargeurs énumérés ci-dessus ne soient pas disponibles.

⚠ MISE EN GARDE : Utilisez exclusivement les batteries et chargeurs énumérés ci-dessus. L'utilisation de toute autre batterie ou tout autre chargeur peut entraîner une blessure et/ou un incendie.

Symboles

Les symboles utilisés pour l'équipement sont indiqués ci-après. Vous devez avoir compris leur signification avant l'utilisation.

	Soyez tout particulièrement prudent et attentif.
	Rayonnement optique (UV et IR). Réduisez au maximum l'exposition des yeux ou de la peau.
	Ne regardez pas fixement la lampe allumée.
	Utilisez un écran adéquat ou une protection oculaire adéquate.
	N'utilisez pas l'appareil sous la pluie ou la neige lorsque vous utilisez l'alimentation C.A.
	Bouton de redémarrage du disjoncteur.

CONSIGNES DE SÉCURITÉ

IMPORTANTES CONSIGNES DE SÉCURITÉ

MISE EN GARDE - Lors de l'utilisation de lampes de poche ou de lanternes, des précautions supplémentaires doivent toujours être prises, dont les suivantes :

1. Lorsque l'appareil n'est pas utilisé, éteignez-le toujours et débranchez-le ou retirez la batterie.
2. Ne recouvrez pas la lampe, et ne bouchez pas l'orifice d'aération de l'appareil avec un linge, du carton, etc. Autrement, cela peut provoquer une flamme.
3. Lors de l'utilisation de l'appareil avec l'alimentation C.A., ne l'utilisez pas dans les emplacements humides ou mouillés.

4. **N'exposez pas l'appareil à la pluie ou à la neige. Ne le lavez jamais dans l'eau.**
5. **N'utilisez pas l'appareil dans une atmosphère explosive, par exemple en présence de liquides, gaz ou poussières inflammables.**
6. **Les fiches d'appareil doivent correspondre à la prise de courant. Ne modifiez jamais les fiches, de quelque façon que ce soit.** Des fiches non modifiées et des prises qui leur sont adaptées réduisent le risque de décharge électrique.
7. **Lorsque vous utilisez l'appareil, évitez tout contact du corps avec les surfaces mises à la terre ou à la masse, telles que celles des tuyaux, radiateurs, fours à micro-ondes et réfrigérateurs.** Le risque de décharge électrique augmente si votre corps est mis à la terre ou à la masse.
8. **Ne maltraitez pas le cordon. N'utilisez jamais le cordon pour transporter, tirer ou débrancher l'appareil. Gardez le cordon à l'écart de la chaleur, de l'huile, des bords tranchants ou des pièces en mouvement.** Les cordons endommagés ou enchevêtrés augmentent le risque de décharge électrique.
9. **Lorsque vous utilisez l'appareil à l'extérieur, faites-le avec un cordon prolongateur conçu pour l'usage extérieur. Utiliser un cordon conçu pour l'usage extérieur réduit le risque de décharge électrique.**
10. **Si le câble ou cordon flexible externe de cette lampe est endommagé, il doit être remplacé par un cordon spécial ou un cordon vendu exclusivement par le fabricant ou son représentant de service après-vente.**
11. **Ne regardez pas directement la source de lumière.**
12. **Ne manipulez pas la fiche avec une main mouillée ou graisseuse.**
13. **Placez toujours l'appareil à un emplacement plat et stable.** Autrement, il risque de tomber et de provoquer un accident.
14. **Placez toujours l'appareil en position verticale.**
15. **La source de lumière que contient cette lampe ne doit être remplacée que par le fabricant, son représentant de service après-vente ou une personne similaire qualifiée.**
16. **Ne laissez pas le cordon d'alimentation déconnecté de l'appareil lorsqu'il est alimenté par une prise de courant.** Cela peut provoquer une décharge électrique.
17. **N'utilisez la poignée de transport à aucune autre fin que le transport de l'appareil, par exemple pour le hisser.**
18. **N'exposez pas l'appareil à des étincelles, à une atmosphère corrosive, etc.**
19. **Pour réduire le risque de blessure, une supervision étroite est nécessaire lorsqu'un produit est utilisé près d'enfants.**
20. **Ne touchez pas les pièces chaudes.**
21. **Débranchez le produit de la prise de courant lorsque vous ne l'utilisez pas, ainsi qu'avant la réparation ou le nettoyage.**
22. **N'utilisez jamais un produit dont la fiche ou le cordon est endommagé, ou un produit qui fonctionne mal ou qui a été échappé ou endommagé de quelque façon que ce soit.** Retournez le produit au centre de service après-vente agréé le plus près pour inspection, réparation ou réglage électrique ou mécanique.
23. **Branchez-le uniquement sur une prise de courant adéquatement mise à la terre. Voir les instructions de mise à la terre.**
24. **La prise de courant est sous tension lorsque le produit y est branché. La prise de courant n'est pas activée ou désactivée par l'interrupteur de l'appareil.**
25. **Utilisez uniquement des cordons prolongateurs dont les fiches et prises sont compatibles avec la fiche du produit. Remplacez les cordons prolongateurs endommagés.**
26. **Assurez-vous que le cordon prolongateur est en bon état.** Lors de l'utilisation d'un cordon prolongateur, utilisez sans faute un cordon assez gros pour conduire le courant que le produit consomme. Un cordon prolongateur trop petit provoquera une baisse de tension de secteur, résultant en une perte de puissance et une surchauffe. Le tableau 1 indique la dimension appropriée de cordon selon sa longueur et selon l'intensité nominale indiquée sur la plaque signalétique. En cas de doute, utilisez un cordon plus gros d'une valeur dans l'échelle de grosseur. Plus le numéro de gabarit est petit, plus le cordon est gros.
27. **Ne maltraitez pas le cordon - Ne transportez jamais le produit en le tenant par le cordon, et ne donnez jamais de coup sec sur le cordon pour le débrancher de la prise de courant. Gardez le cordon à l'écart des sources de chaleur, de l'huile et des objets à bords tranchants.**
28. **N'insérez pas de corps étrangers dans ce produit.**
29. **La réparation d'un produit nécessite un soin extrême et une connaissance approfondie du système, et elle ne devrait être effectuée que par un réparateur qualifié. Les pièces de rechange d'un produit doivent être identiques à celles du produit.**
30. **Rangez le produit à l'intérieur lorsque vous ne l'utilisez pas.**
31. **Gardez-le hors de la portée des enfants.**
32. **Ne nettoyez pas ce produit avec de l'eau pulvérisée ou d'une façon similaire. Suivez les instructions de nettoyage du fabricant.**

Tableau 1 : Calibre minimum du cordon

Volts		Longueur totale du cordon en pieds			
120 V		25 ft.	50 ft.	100 ft.	150 ft.
220 V - 240 V		50 ft.	100 ft.	200 ft.	300 ft.
Intensité nominale					
Plus de	Pas plus de	Calibre américain des fils			
0 A	6 A	18	16	14	12
6 A	10 A				
10 A	12 A	16	16	14	12
12 A	16 A	14	12	Non recommandé	

INSTRUCTIONS DE MISE À LA TERRE

Ce produit doit être mis à la terre. En cas de dysfonctionnement ou de panne, la mise à la terre offre un chemin de moindre résistance au courant électrique pour réduire le risque de choc électrique. Ce produit est équipé d'un cordon à conducteur de terre de l'équipement et à fiche de mise à la terre. La fiche doit être branchée dans une prise de courant appropriée qui est correctement installée et mise à la terre conformément à tous les codes et règlements locaux. **DANGER** - Une connexion inadéquate du conducteur de terre de l'équipement peut entraîner un risque de décharge électrique. Le conducteur avec isolation dont la face extérieure est verte avec ou sans bandes jaunes est le conducteur de terre de l'équipement. Si la réparation ou le remplacement du cordon ou de la fiche est nécessaire, ne branchez pas le conducteur de terre de l'équipement à une borne sous tension. Consultez un électricien ou réparateur qualifié si les instructions de mise à la terre ne sont pas entièrement comprises, ou en cas de doute sur la mise à la terre adéquate du produit. Ne modifiez pas la fiche fournie avec le produit - si elle ne s'adapte pas à la prise de courant, faites installer une prise adéquate par un électricien qualifié. Un électricien qualifié doit être consulté en cas de doute sur la mise à la terre adéquate d'une boîte à prises.

Utilisation et entretien des outils alimentés par batterie

1. **Prévenez le démarrage accidentel. Assurez-vous que l'interrupteur est sur la position d'arrêt avant de connecter la batterie, de ramasser l'appareil ou de le transporter.** Transporter l'appareil avec le doigt sur l'interrupteur, ou mettre l'appareil sous tension avec l'interrupteur en position de marche ouvre la porte aux accidents.
2. **Déconnectez la batterie de l'appareil avant d'effectuer tout réglage, de remplacer les accessoires ou de ranger l'appareil.** De telles mesures de prévention réduisent le risque de démarrage accidentel de l'appareil.
3. **Pour recharger, utilisez uniquement le chargeur spécifié par le fabricant.** L'utilisation d'un chargeur conçu pour un type donné de bloc-piles comporte un risque d'incendie lorsqu'il est utilisé avec un autre type de bloc-piles.
4. **N'utilisez un outil électrique qu'avec le bloc-piles conçu spécifiquement pour cet outil.** Il y a un risque de blessure ou d'incendie si un autre bloc-piles est utilisé.
5. **Lorsque vous n'utilisez pas le bloc-piles, rangez-le à l'écart des objets métalliques tels que trombones, pièces de monnaie, clés, clous, vis ou autres petits objets métalliques qui risqueraient d'établir une connexion entre les bornes.** La mise en court-circuit des bornes de batterie peut causer des brûlures ou un incendie.
6. **Dans des conditions d'utilisation inadéquates de la batterie, il peut y avoir fuite d'électrolyte; évitez tout contact avec ce liquide.** En cas de contact accidentel, rincez avec beaucoup d'eau. Si le liquide pénètre dans vos yeux, il faut aussi consulter un médecin. L'électrolyte qui s'échappe de la batterie peut causer des irritations ou des brûlures.

7. **N'utilisez pas une batterie ou un outil s'il est endommagé ou modifié.** Les batteries endommagées ou modifiées peuvent avoir un comportement imprévisible dont peut résulter un incendie, une explosion ou un risque de blessure.
8. **N'exposez pas une batterie ou un outil au feu ou à une température excessive.** L'exposition au feu ou à une température supérieure à 130 °C peut entraîner une explosion.
9. **Suivez toutes les instructions de charge et ne chargez pas la batterie ou l'outil à l'extérieur de la plage de température spécifiée dans les instructions.** Charger de manière inadéquate ou à des températures hors de la plage spécifiée peut endommager la batterie et augmenter le risque d'incendie.
10. **Confiez l'entretien à un réparateur qualifié et n'utilisez que des pièces de rechange identiques aux pièces d'origine.** Cela assurera le maintien du produit dans un état sécuritaire.
11. **Ne modifiez pas, ou n'essayez pas de réparer l'appareil ou la batterie autrement que comme indiqué dans les instructions d'utilisation et d'entretien.**

RÉPARATION

1. La réparation de cet appareil ne doit être effectuée que par le personnel de réparation qualifié. L'exécution des réparations ou de l'entretien par un personnel non qualifié peut entraîner un risque de blessure.
2. Pour réparer cet appareil, utilisez uniquement des pièces de rechange identiques aux pièces originales. L'utilisation de pièces non autorisées ou le non-respect des instructions d'entretien peut présenter un risque de décharge électrique ou de blessure.
3. N'incinerez pas cet appareil, même s'il est gravement endommagé. Les batteries peuvent exploser dans le feu. Éliminez l'appareil conformément à la réglementation locale.

Consignes de sécurité importantes pour la batterie

1. **Avant d'utiliser la batterie, lisez toutes les instructions et les mises en garde apposées sur (1) le chargeur de batterie, (2) la batterie et (3) le produit utilisant la batterie.**
2. **Ne démontez pas la batterie.**
3. **Cessez immédiatement l'utilisation si le temps de fonctionnement devient excessivement court.** Il y a un risque de surchauffe, de brûlures, voire d'explosion.
4. **Si l'électrolyte pénètre dans vos yeux, rincez-les à l'eau claire et consultez immédiatement un médecin.** Il y a un risque de perte de la vue.
5. **Ne court-circuitez pas la batterie :**
 - (1) **Ne touchez les bornes avec aucun matériau conducteur.**
 - (2) **Évitez de ranger la batterie dans un contenant avec d'autres objets métalliques tels que clous, pièces de monnaie, etc.**
 - (3) **Évitez d'exposer la batterie à l'eau ou à la pluie.**

Un court-circuit de la batterie pourrait provoquer un fort courant, une surchauffe, parfois des brûlures et même une panne.

6. Ne rangez pas l'outil ou la batterie dans des emplacements où la température peut atteindre ou dépasser 50 °C (122 °F).
7. Ne jetez pas la batterie au feu même si elle est sérieusement endommagée ou complètement épuisée. La batterie peut exploser au contact du feu.
8. Prenez garde d'échapper ou de heurter la batterie.
9. N'utilisez pas une batterie si elle est endommagée.
10. Les batteries lithium-ion fournies sont soumises aux exigences de la législation sur les marchandises dangereuses.
Des exigences particulières sur l'emballage et l'étiquetage doivent être respectées lors du transport commercial par des tiers, des transitaires, etc. Pour préparer la marchandise à expédier, consultez un expert en matériaux dangereux si nécessaire. Respectez aussi les éventuelles réglementations nationales plus détaillées.
Recouvrez de ruban isolant les contacts exposés, et emballez la batterie de sorte qu'elle ne puisse pas se déplacer à l'intérieur de l'emballage.
11. Lors de l'élimination de la batterie, retirez-la de l'outil et éliminez-la dans un endroit sûr. Respectez la réglementation locale concernant l'élimination de la batterie.
12. N'utilisez les batteries qu'avec les produits spécifiés par Makita. Installer les batteries sur des produits non conformes peut entraîner un incendie, une chaleur excessive, une explosion ou une fuite d'électrolyte.
13. Si l'outil reste inutilisé pour une période prolongée, la batterie doit en être retirée.

CONSERVEZ CES INSTRUCTIONS.

⚠ ATTENTION : Utilisez exclusivement les batteries fabriquées par Makita. Les batteries autres que celles fabriquées par Makita ou les batteries modifiées peuvent exploser et causer un incendie, une blessure ou des dommages. Cela annule aussi la garantie Makita de l'outil et du chargeur Makita.

Conseils pour maintenir la durée de service maximale de la batterie

1. Rechargez la batterie avant qu'elle ne soit complètement déchargée. Arrêtez toujours l'outil et rechargez la batterie quand vous remarquez que la puissance de l'outil diminue.
2. Ne rechargez jamais une batterie complètement chargée. La surcharge réduit la durée de service de la batterie.
3. Chargez la batterie à une température ambiante comprise entre 10 °C et 40 °C (50 °F et 104 °F). Si la batterie est chaude, laissez-la refroidir avant de la charger.
4. Chargez la batterie si elle est restée inutilisée pendant une période prolongée (plus de six mois).

Mise en garde de la FCC

Pour les États-Unis

Cet appareil est conforme à la Section 15 des Règlements de la FCC. L'utilisation est sujette aux deux conditions suivantes :

- (1) cet appareil ne peut pas causer de brouillage préjudiciable; et
- (2) cet appareil doit accepter tout brouillage subi, y compris le brouillage pouvant causer un fonctionnement indésirable.

Les changements et modifications non explicitement approuvés par la partie responsable de la conformité peuvent annuler le droit de l'utilisateur à utiliser l'équipement.

Note : Cet équipement a fait l'objet d'essais et a été jugé conforme aux limites pour appareil numérique de classe B, en conformité à la Section 15 des Règlements de la FCC. Ces limites sont conçues pour assurer une protection raisonnable contre le brouillage préjudiciable dans une installation résidentielle. Cet équipement génère, utilise et peut rayonner de l'énergie de fréquence radio et, s'il n'est pas installé et utilisé conformément aux instructions, peut causer du brouillage préjudiciable sur les communications radio. Rien ne garantit toutefois qu'il n'y aura pas de brouillage dans une installation particulière. Si cet équipement cause du brouillage préjudiciable sur la réception de la radio ou du téléviseur, ce qui peut être vérifié en éteignant et rallumant l'équipement, l'utilisateur est invité à essayer d'annuler le brouillage par l'une ou plusieurs des mesures suivantes :

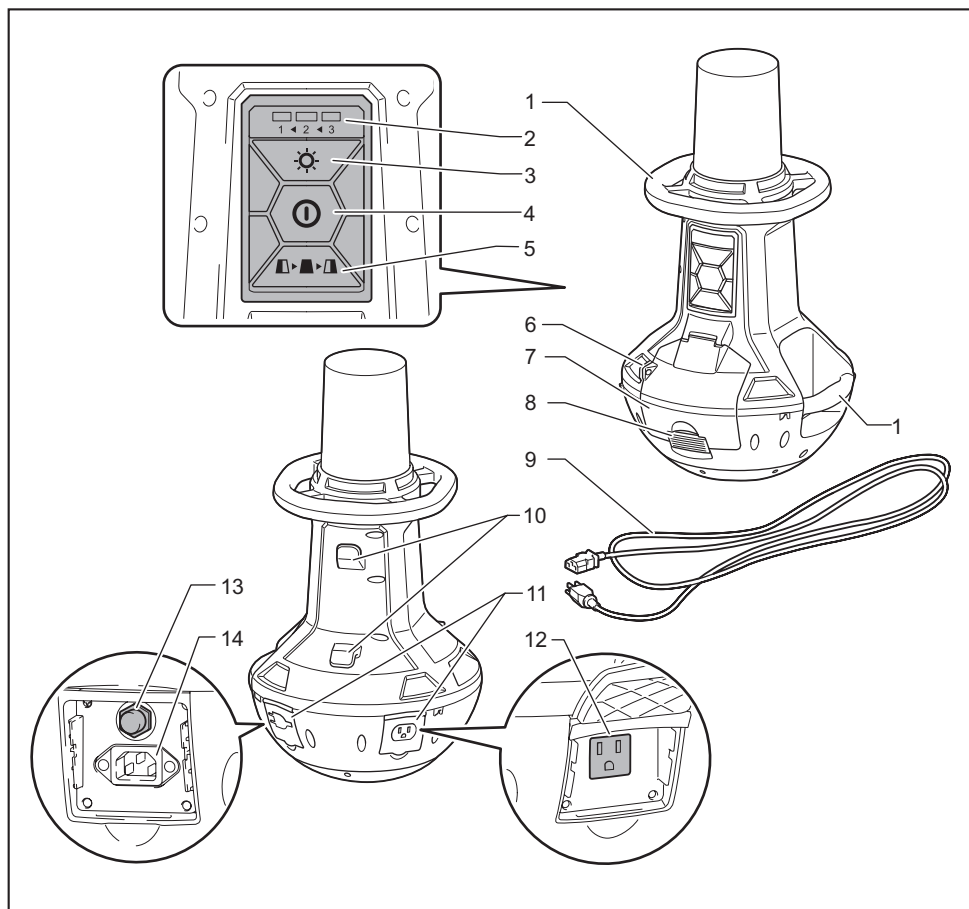
- Réorienter ou déplacer l'antenne de réception.
- Augmenter la distance qui sépare l'équipement du récepteur.
- Brancher l'équipement sur la prise d'un circuit différent de celui sur lequel le récepteur est branché.
- Demander l'aide du détaillant ou d'un technicien radio/TV expérimenté.

Norme ICES-005

Pour le Canada

CAN ICES-005(B)/NMB-005(B)

DESCRIPTION DES PIÈCES



1	Poignée de transport	2	Voyant de luminosité	3	Bouton de changement de luminosité
4	Bouton d'alimentation	5	Bouton de changement de zone d'éclairage	6	Trou pour cadenas
7	Couvercle de batterie	8	Verrou du couvercle	9	Cordon d'alimentation
10	Crochet pour cordon d'alimentation	11	Couvercle de prise	12	Prise C.A.
13	Bouton de redémarrage du disjoncteur	14	Entrée C.A.	-	-

NOTE : La forme de la fiche du cordon d'alimentation varie d'un pays à l'autre.

DESCRIPTION DU FONCTIONNEMENT

⚠ ATTENTION : Assurez-vous toujours que l'appareil est éteint et que sa batterie est retirée avant de l'ajuster ou de vérifier son fonctionnement.

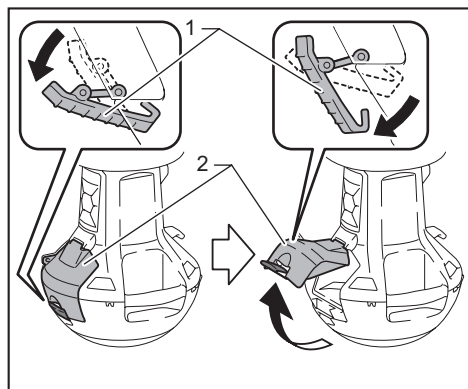
Installation ou retrait de la batterie

⚠ ATTENTION : Éteignez toujours l'appareil avant d'installer ou de retirer la batterie.

⚠ ATTENTION : Tenez fermement l'appareil et la batterie lors de l'installation ou du retrait de cette dernière. Sinon, l'appareil et la batterie pourraient vous glisser des mains, ce qui risque d'endommager l'appareil et la batterie, ou encore de provoquer des blessures.

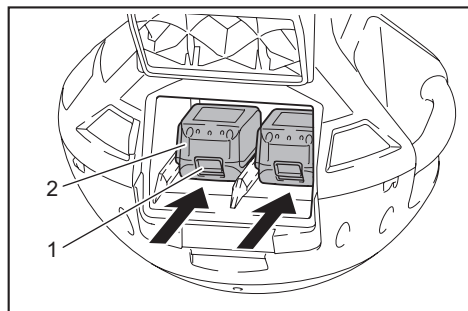
⚠ ATTENTION : Prenez garde de vous coincer les doigts entre l'appareil et la batterie en insérant la batterie, ou entre l'appareil et le couvercle de batterie en fermant ce dernier.

Pour installer la batterie, libérez le verrou du couvercle et ouvrez le couvercle de batterie.



► 1. Verrou du couvercle 2. Couvercle de batterie

Pour installer la batterie, alignez la languette de la batterie sur la rainure du carter et glissez-la en place. Insérez-la à fond, jusqu'à ce qu'elle se verrouille en place avec un léger bruit sec. Fermez ensuite le couvercle de batterie.



► 1. Bouton 2. Batterie

Pour retirer la batterie, faites-la glisser de l'appareil tout en faisant glisser le bouton qui se trouve à l'avant de la batterie.

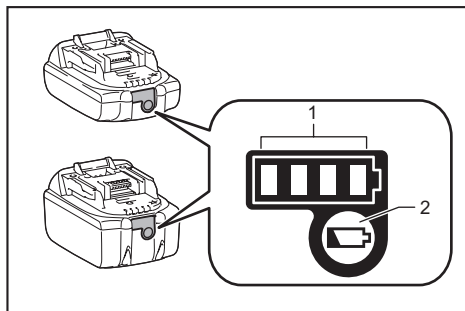
⚠ ATTENTION : Insérez toujours la batterie à fond. Autrement, elle risque de tomber accidentellement de l'appareil et d'entraîner des blessures.

⚠ ATTENTION : Ne forcez pas sur la batterie pour l'installer. Si la batterie ne glisse pas facilement, c'est qu'elle n'est pas insérée correctement.

NOTE : Jusqu'à deux batteries peuvent être installées, même si l'appareil n'en utilise qu'une seule pour son fonctionnement.

Affichage de la charge restante de la batterie

Uniquement pour les batteries avec voyant



► 1. Témoins indicateurs 2. Bouton de vérification

Appuyez sur le bouton de vérification de la batterie pour afficher la charge restante de la batterie. Les témoins indicateurs s'allument pendant quelques secondes.

Témoins indicateurs			Charge restante
Allumé	Éteint	Clignotant	
■ ■ ■ ■			75 % à 100 %
■ ■ ■ □			50 % à 75 %
■ ■ □ □			25 % à 50 %
■ □ □ □			0 % à 25 %
▬ □ □ □			Chargez la batterie.
■ ■ □ □			La batterie a peut-être mal fonctionné.
□ □ ■ ■			

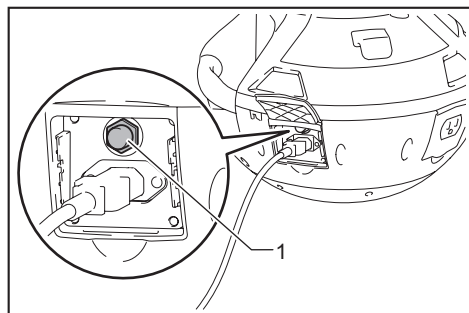
NOTE : Suivant les conditions d'utilisation et la température ambiante, il se peut que l'indication soit légèrement différente de la charge réelle.

Dispositif de protection de l'appareil et de la batterie

L'appareil est équipé d'un dispositif de protection. Ce dispositif coupe automatiquement l'alimentation pour augmenter la durée de service de l'appareil et de la batterie. L'appareil s'arrête automatiquement pendant l'utilisation lorsque l'appareil ou la batterie se trouve dans l'une des situations suivantes.

Protection contre la surcharge

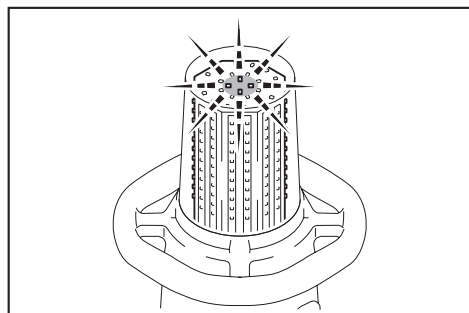
Lorsque l'appareil est utilisé d'une manière entraînant une consommation anormalement élevée de courant, il s'arrête automatiquement sans aucune indication. Le cas échéant, retirez et réinstallez la batterie lors de l'utilisation de l'alimentation C.C., ou appuyez sur le bouton de redémarrage du disjoncteur lors de l'utilisation de l'alimentation C.A. Allumez ensuite l'appareil pour redémarrer.



► 1. Bouton de redémarrage du disjoncteur

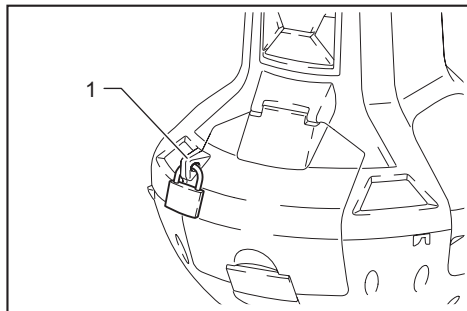
Protection contre la décharge excessive

Lorsque la batterie devient faible, les voyants DEL s'éteignent, sauf une partie d'entre eux, tel qu'illustré. Puis, environ cinq à dix minutes plus tard, le dispositif coupe automatiquement le courant. Le cas échéant, retirez la batterie de l'appareil et chargez-la.



Trou pour cadenas

Un trou pour cadenas est prévu pour prévenir le vol des batteries.



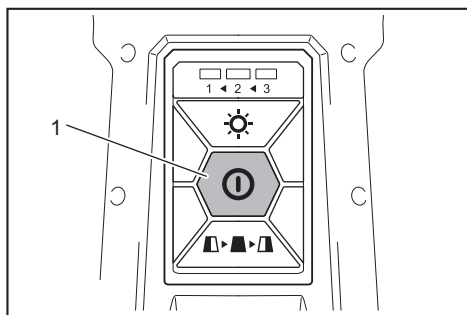
► 1. Trou pour cadenas

UTILISATION

ATTENTION : Cet appareil est conçu pour un usage commercial. N'utilisez pas l'appareil pour un usage domestique.

Mise sous/hors tension de l'appareil

Appuyez sur le bouton d'alimentation pour allumer l'appareil. Appuyez encore une fois sur le bouton d'alimentation pour éteindre l'appareil.

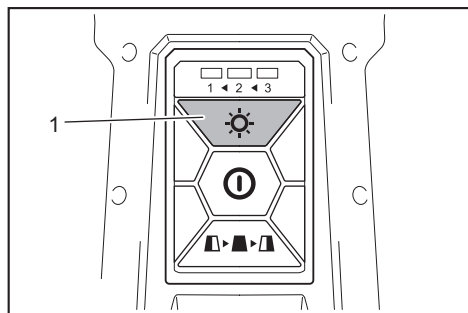


► 1. Bouton d'alimentation

NOTE : L'appareil s'allume dans le même mode que lors du dernier réglage.

Modification de la luminosité

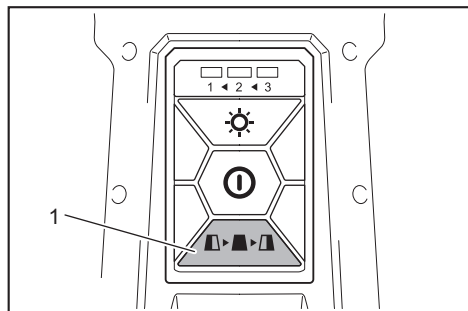
Appuyez sur le bouton de changement de luminosité pendant que l'appareil fonctionne. La luminosité diminue chaque fois que vous appuyez sur le bouton de changement de luminosité. La luminosité revient au niveau le plus élevé si vous appuyez alors qu'elle est au niveau le plus bas.



► 1. Bouton de changement de luminosité

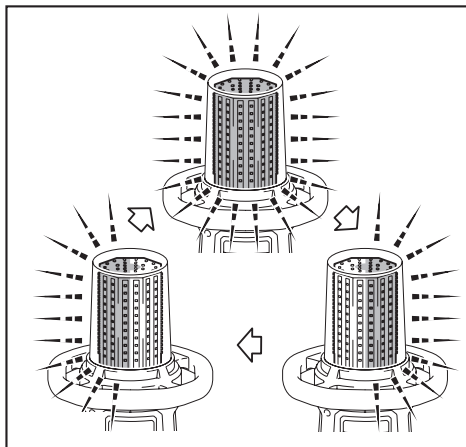
Modification de la zone d'éclairage

Appuyez sur le bouton de changement de zone d'éclairage pendant que l'appareil fonctionne.



► 1. Bouton de changement de zone d'éclairage

La zone d'éclairage change chaque fois que vous appuyez sur le bouton de changement de zone d'éclairage, tel qu'illustré.



Utilisation avec l'alimentation C.A.

⚠ MISE EN GARDE : N'utilisez jamais l'appareil si le cordon ou la fiche est endommagé.

⚠ MISE EN GARDE : Ne manipulez pas la fiche avec une main mouillée ou grasseuse.

⚠ MISE EN GARDE : Ne laissez pas le cordon d'alimentation déconnecté de l'appareil lorsque l'appareil est alimenté par une prise de courant. Les jeunes enfants pourraient se blesser en se mettant la fiche sous tension dans la bouche.

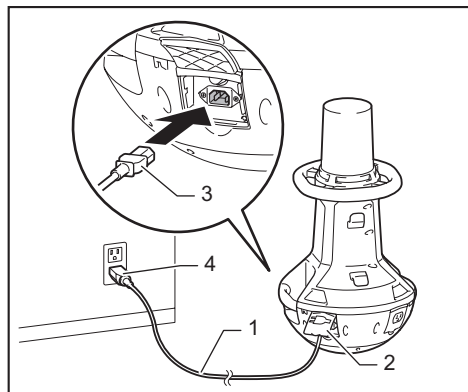
⚠ MISE EN GARDE : Ne mettez pas la fiche ou le cordon sous tension dans votre bouche. Cela peut provoquer une décharge électrique.

⚠ MISE EN GARDE : Assurez-vous que la tension nominale de la prise de courant correspond à celle de l'appareil.

⚠ MISE EN GARDE : Une prise qui est branchée doit être mise à la terre.

Lors de l'utilisation de l'appareil avec l'alimentation C.A., utilisez le cordon d'alimentation qui accompagne l'appareil.

Insérez la fiche dans l'entrée C.A. de l'appareil, puis insérez l'autre extrémité dans une prise de courant.



- 1. Cordon d'alimentation 2. Couvercle de prise (entrée C.A.) 3. Fiche (pour l'appareil) 4. Fiche (pour la prise de courant)

⚠ ATTENTION : Veillez à insérer d'abord la fiche dans l'appareil, puis insérez l'autre extrémité dans une prise de courant.

⚠ ATTENTION : Fermez toujours le couvercle de prise fermement lorsque le cordon d'alimentation n'est pas branché.

NOTE : Même lorsqu'il fonctionne sur l'alimentation C.C., l'appareil permute automatiquement sur l'alimentation C.A. si l'on branche le cordon d'alimentation.

NOTE : L'alimentation C.A. ne charge pas la batterie insérée dans l'appareil.

NOTE : La forme de la fiche du cordon d'alimentation varie d'un pays à l'autre.

Utilisation interconnectée

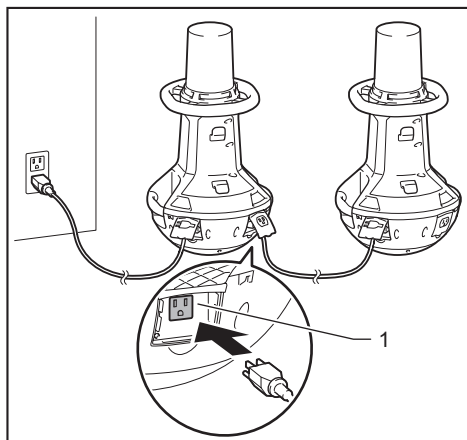
⚠ ATTENTION : Ne branchez aucun autre appareil que le DML810 dans la prise C.A.

⚠ ATTENTION : Utilisez toujours le cordon d'alimentation qui accompagne l'appareil.

⚠ ATTENTION : N'interconnectez pas plus d'appareils que le nombre maximum d'appareils interconnectables spécifié dans les instructions.

Lors de l'utilisation de l'appareil interconnecté à un autre appareil, connectez-les avec le cordon d'alimentation.

Insérez la fiche dans l'entrée C.A. de l'appareil à alimenter, puis insérez l'autre extrémité dans la prise C.A. de l'appareil qui l'alimente.

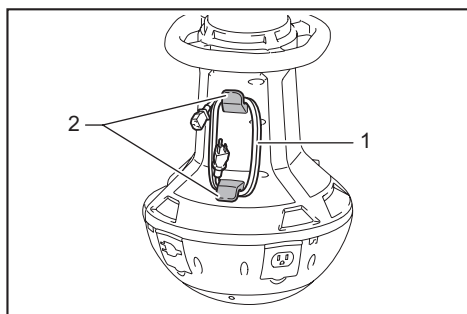


- 1. Prise C.A.

NOTE : Lors de l'utilisation des appareils interconnectés, les opérations telles que la mise sous/hors tension, la modification de la luminosité et la modification de la zone d'éclairage ne sont pas liées. Ces opérations doivent être effectuées séparément sur chaque appareil.

Disposition du cordon d'alimentation

Enroulez fermement le cordon d'alimentation sur le crochet pour cordon d'alimentation.



- 1. Cordon d'alimentation 2. Crochet pour cordon d'alimentation

ENTRETIEN

⚠ ATTENTION : Assurez-vous toujours que l'appareil est éteint et débranché, et que la batterie est retirée avant d'y effectuer tout travail d'inspection ou d'entretien.

AVIS : N'utilisez jamais d'essence, de benzine, de solvant, d'alcool ou autres produits similaires. Une décoloration, une déformation ou la formation de fissures peuvent en découler.

Pour maintenir la SÉCURITÉ et la FIABILITÉ du produit, les réparations et tout autre travail d'entretien ou de réglage doivent être effectués dans un centre de service après-vente autorisé ou une usine Makita, exclusivement avec des pièces de rechange Makita.

ACCESSOIRES EN OPTION

⚠ ATTENTION : Ces accessoires ou pièces complémentaires sont recommandés pour l'utilisation avec l'outil Makita spécifié dans ce manuel. L'utilisation de tout autre accessoire ou pièce complémentaire peut comporter un risque de blessure. N'utilisez les accessoires ou pièces complémentaires qu'aux fins auxquelles ils ont été conçus.

Si vous désirez obtenir plus de détails sur ces accessoires, veuillez contacter le centre de service après-vente Makita le plus près.

- Chargeur et batterie authentiques Makita

NOTE : Certains éléments de la liste peuvent être inclus avec l'outil comme accessoires standards. Ils peuvent varier suivant les pays.

GARANTIE LIMITÉE MAKITA

Pour les conditions de garantie en vigueur qui s'appliquent à ce produit, veuillez vous reporter à la feuille de garantie en annexe. Si la feuille de garantie en annexe n'est pas disponible, reportez-vous aux détails de la garantie présentés sur le site Web de votre pays, ci-dessous.

États-Unis d'Amérique: www.makitatools.com

Canada: www.makita.ca

Autres pays: www.makita.com

ESPECIFICACIONES

Modelo:	DML810
Luz LED	0,2 W x 202
Tensión nominal	CA 100 V - 240 V, 50/60 Hz 14,4 V c.c. / 18 V c.c.
Flujo luminoso	5 500 lm / 3 000 lm / 1 500 lm
Tiempo de operación (con modelo BL1860B x2, todas las luces LED se iluminan)	4 horas (5 500 lm) / 18 horas (1 500 lm)
Número máximo de aparatos interconectables	8
Temperatura de operación	0 °C ~ 40 °C
Temperatura de almacenamiento	-20 °C ~ 60 °C
Dimensiones (La x An x Al)	420 mm x 420 mm x 787 mm (16-1/2" x 16-1/2" x 31")
Peso neto (Sin cartucho de batería y cable de alimentación)	13,9 kg (30,6lbs)
Grado de protección	C.C.: IP54 (solo con alimentación inalámbrica) C.A.: IP20

- Debido a nuestro continuo programa de investigación y desarrollo, las especificaciones aquí incluidas están sujetas a cambio sin previo aviso.
- Las especificaciones pueden variar de país a país.
- Los tiempos de operación son aproximados y pueden variar en función del tipo de batería, el estado de la carga y la condición de uso.

Cartucho de batería y cargador aplicables







Cartucho de batería	Modelo de 14,4 V c.c.	BL1430B
	Modelo de 18 V c.c.	BL1815N / BL1820B / BL1830 / BL1830B / BL1840B / BL1850B / BL1860B
Cargador		DC18RC / DC18RD / DC18RE / DC18SD / DC18SE / DC18SF / DC18SH

- Algunos de los cartuchos de batería y cargadores enumerados arriba podrían no estar disponibles dependiendo de su área de residencia.

⚠ ADVERTENCIA: Use únicamente los cartuchos de batería y los cargadores indicados arriba. El uso de cualquier otro cartucho de batería y cargador podría ocasionar una lesión y/o un incendio.

Símbolos

A continuación se muestran los símbolos utilizados para el equipo. Asegúrese de entender su significado antes de usarlo.

	Ponga especial atención y tenga cuidado.
	Radiación óptica (UV e IR). Reducir la exposición a los ojos o con la piel al mínimo.
	No mire fijamente la lámpara mientras se encuentra en funcionamiento.
	Utilice un escudo o protección apropiada para los ojos.
	No utilice el aparato bajo la lluvia o nieve cuando lo use con alimentación de C.A.
	Botón para reinicio del disyuntor.

ADVERTENCIAS DE SEGURIDAD

INSTRUCCIONES IMPORTANTES DE SEGURIDAD

ADVERTENCIA: Cuando se utilicen linternas o lámparas, siempre deben seguirse las precauciones adicionales, incluyendo las siguientes:

1. Cuando no se utilice el aparato, apáguelo siempre y extraiga / retire el cartucho de batería del aparato.
2. No cubra la lámpara ni obstruya la abertura de ventilación con un paño, cartón o similares. De lo contrario, podría causar una llama.

3. Cuando utilice el aparato con alimentación de C.A., no utilice el aparato en lugares húmedos o mojados.
4. No exponga el aparato a la lluvia ni a la nieve. Nunca lo lave con agua.
5. No utilice el aparato en atmósferas explosivas, tal como en la presencia de líquidos, gases o polvo inflamables.
6. Las clavijas del aparato deben coincidir con la toma de corriente. Nunca modifique las clavijas en ninguna forma. El uso de clavijas no modificadas y que encajen en la toma de corriente reducirá el riesgo de que se produzca una descarga eléctrica.
7. Antes de operar el aparato, evite tocar con el cuerpo superficies conectadas a tierra o puestas a tierra tales como tubos, radiadores, hornos de microondas o refrigeradores. Si su cuerpo es puesto a tierra o conectado a tierra existirá un mayor riesgo de que sufra una descarga eléctrica.
8. No maltrate el cable. Nunca tire del cable para transportar, jalar o desconectar el aparato. Mantenga el cable alejado del calor, el aceite, los bordes filosos o las piezas móviles. Los cables dañados o enredados aumentan el riesgo de que se produzca una descarga eléctrica.
9. Cuando use el aparato en exteriores, utilice un cable de extensión apropiado para uso en exteriores. El uso de un cable apropiado para uso en exteriores reducirá el riesgo de que se produzca una descarga eléctrica.
10. Si el cable o cordón flexible externo de esta luminaria está dañado, deberá reemplazarse por un cable especial o cordón disponible exclusivamente con el fabricante o con su agente de servicio.
11. No mire fijamente a la fuente de luz de forma directa.
12. No manipule la clavija con las manos húmedas o manchadas de grasa.
13. Coloque siempre el aparato sobre un lugar nivelado y estable. De lo contrario, podría ocurrir un accidente por caída.
14. Coloque siempre el aparato en una posición vertical.
15. La fuente de luz contenida en esta luminaria solo deberá ser reemplazada por el fabricante o su agente de servicio o por una persona calificada similar.
16. No deje desconectado el cable de alimentación del aparato mientras se esté suministrando energía desde una toma eléctrica. El hacerlo podría ocasionar una descarga eléctrica.
17. No use el mango portador para otro propósito que no sea el transportar el aparato, como para izarlo.
18. No exponga el aparato a chispas o a una atmósfera corrosiva, etc.
19. Para reducir el riesgo de lesiones, se requiere supervisar de cerca cuando un producto sea utilizado cerca de niños.
20. No toque las partes calientes.
21. Desconecte de la toma de corriente cuando no la vaya a utilizar y antes de dar servicio de mantenimiento o limpiarla.
22. No opere ningún producto con un (cable o) clavija dañada, o después de que el producto no funcione correctamente o se caiga o se dañe de alguna manera. Lleve el producto al centro de servicio autorizado más cercano para verificarlo, para su reparación o para un ajuste eléctrico o mecánico.
23. Conéctelo solamente a una toma de corriente conectada a tierra apropiadamente. Lea las instrucciones para la conexión a tierra.
24. La toma de corriente tiene corriente siempre que el producto esté enchufado. La toma de corriente no se enciende o apaga mediante el interruptor.
25. Utilice únicamente cables de extensión con clavijas y receptáculo compatible con la clavija del producto. Reemplace los cables de extensión dañados.
26. Asegúrese de que el cable de extensión esté en buen estado. Cuando utilice un cable de extensión, asegúrese de usar uno lo suficientemente pesado para conducir la corriente que su producto consumirá. Un cable de extensión de menor calibre causará una caída en la línea de voltaje ocasionando la pérdida de potencia y sobrecalentamiento. La tabla 1 muestra la medida correcta que debe usarse en función de la longitud del cable y el amperaje nominal indicado en la placa de características. En caso de duda, utilice el calibre de diámetro inmediatamente más grueso. Mientras más pequeño sea el número de calibre, más corriente podrá conducir el cable.
27. No maltrate el cable; nunca lleve el producto por el cable o tire del mismo para desconectarlo del receptáculo. Mantenga el cable lejos del calor, aceite y bordes filosos.
28. No inserte objetos extraños dentro de este producto.
29. Dar mantenimiento a un producto requiere un cuidado extremo y conocimiento del sistema, y debe realizarlo únicamente personal de servicio calificado. Las piezas de repuesto para un producto deben ser idénticas a aquellas piezas en el producto.
30. Guarde el producto en interiores cuando no lo vaya a utilizar.
31. Manténgalo fuera del alcance de los niños.
32. No limpie este producto con aspersión de agua o similares. Siga las instrucciones de limpieza de los fabricantes.

Tabla 1: Calibre mínimo para el cable

Voltios		Longitud total del cable en metros			
120 V ~		7 m (25 ft.)	15 m (50 ft.)	30 m (100 ft.)	45,7 m (150 ft.)
220 V ~ - 240 V ~		15 m (50 ft.)	30 m (100 ft.)	60,9 m (200 ft.)	91,4 m (300 ft.)
Amperaje nominal					
Más de	No más de	Calibre del cable (AWG)			
0 A	6 A	18	16	14	12
6 A	10 A				
10 A	12 A	16	16	14	12
12 A	16 A	14	12	No se recomienda	

INSTRUCCIONES PARA LA CONEXIÓN A TIERRA

Este producto debe ser conectado a tierra. En caso de un mal funcionamiento o avería, la conexión a tierra proporciona una ruta de menor resistencia para la corriente eléctrica para reducir el riesgo de descarga eléctrica. Este producto está equipado con un cable que cuenta con un conductor de conexión a tierra del equipo, así como una clavija de conexión a tierra. La clavija debe conectarse a una toma de corriente apropiada que esté instalada y conectada a tierra, de acuerdo con todos los códigos y ordenanzas locales. **PELIGRO:** la conexión incorrecta del conductor de conexión a tierra del equipo puede provocar un riesgo de descarga eléctrica. El conductor con aislamiento que tiene una superficie externa que es verde con o sin rayas amarillas es el conductor de conexión a tierra del equipo. Si es necesario reparar o reemplazar el cable o la clavija, no conecte el conductor de conexión a tierra del equipo a un terminal con corriente. Consulte con un electricista o técnico calificado si las instrucciones para la conexión a tierra no se entienden completamente o si tiene dudas sobre si el producto está correctamente conectado a tierra. No modifique la clavija provista con el producto; si no encaja en la toma de corriente, haga que un electricista calificado instale una toma de corriente adecuada. Se debe consultar a un electricista calificado si tiene alguna duda sobre si una caja de la toma de corriente está correctamente conectada a tierra.

Uso y cuidado de la herramienta a batería

1. Evite un arranque accidental. Asegúrese de que el interruptor esté en la posición apagada antes de conectar el paquete de baterías, levantar el aparato o cargarlo. Cargar el aparato con su dedo en el interruptor o pasar energía al aparato con el interruptor encendido puede propiciar accidentes.
2. **Desconecte el paquete de baterías del aparato antes de hacer cualquier ajuste, cambiar accesorios o almacenar el aparato.** Estas medidas de seguridad preventivas reducen el riesgo de poner en marcha el aparato accidentalmente.
3. **Recargue sólo con el cargador especificado por el fabricante.** Un cargador que es adecuado para un solo tipo de batería puede generar riesgo de incendio al ser utilizado con otra batería.
4. **Utilice las herramientas eléctricas solamente con las baterías designadas específicamente para ellas.** La utilización de cualquier otra batería puede crear un riesgo de lesiones o incendio.
5. **Cuando no se esté usando la batería, manténgala alejada de otros objetos metálicos, como sujetapapeles (clips), monedas, llaves, clavos, tornillos u otros objetos pequeños de metal los cuales pueden actuar creando una conexión entre las terminales de la batería.** Originar un cortocircuito en las terminales puede causar quemaduras o incendios.
6. **En condiciones abusivas, podrá escapar líquido de la batería; evite tocarlo. Si lo toca accidentalmente, enjuague con agua. Si hay contacto del líquido con los ojos, busque asistencia médica.** Puede que el líquido expulsado de la batería cause irritación o quemaduras.

7. **No utilice una herramienta ni una batería que estén dañadas o hayan sido modificadas.** Las baterías dañadas o modificadas podrían ocasionar una situación inesperada provocando un incendio, explosión o riesgo de lesiones.
8. **No exponga la herramienta ni la batería al fuego ni a una temperatura excesiva.** La exposición al fuego o a una temperatura superior a los 130 °C podría causar una explosión.
9. **Siga todas las instrucciones para la carga y evite cargar la herramienta o la batería fuera del rango de temperatura especificado en las instrucciones.** Una carga inadecuada o a una temperatura fuera del rango especificado podría dañar la batería e incrementar el riesgo de incendio.
10. **Pida que el servicio lo realice un técnico en reparaciones calificado y que utilice únicamente piezas de repuesto idénticas a las originales.** Esto garantizará que se mantenga la seguridad del producto.
11. **No modifique ni intente reparar el aparato ni el paquete de baterías salvo como se indique en las instrucciones para el uso y cuidado.**

SERVICIO

1. El servicio a este aparato solamente deberá ser realizado por personal de reparaciones calificado. El servicio o mantenimiento realizados por personal no calificado podría ocasionar un riesgo de lesiones.
2. Cuando se dé servicio a este aparato, utilice únicamente piezas de repuesto idénticas. El uso de piezas no autorizadas o el no seguir las instrucciones de mantenimiento podría crear riesgo de choque eléctrico o lesiones.
3. Nunca incinere este aparato, incluso en el caso de que esté dañado seriamente. Las baterías pueden explotar si se tiran al fuego. Deshágase del aparato de conformidad con las reglamentaciones locales.

Instrucciones importantes de seguridad para el cartucho de batería

1. **Antes de utilizar el cartucho de batería, lea todas las instrucciones e indicaciones de precaución en el (1) el cargador de batería, (2) la batería, y (3) el producto con el que se utiliza la batería.**
2. **No desarme el cartucho de batería.**
3. **Si el tiempo de operación se ha acortado en exceso, deje de operar de inmediato. Podría correrse el riesgo de sobrecalentamiento, posibles quemaduras e incluso explosión.**
4. **En caso de que ingresen electrolitos en sus ojos, enjuáguelos bien con agua limpia y consulte de inmediato a un médico. Esto podría ocasionar pérdida de visión.**
5. **Evite cortocircuitar el cartucho de batería:**
 - (1) **No toque las terminales con ningún material conductor.**
 - (2) **Evite guardar el cartucho de batería en un cajón junto con otros objetos metálicos, tales como clavos, monedas, etc.**
 - (3) **No exponga el cartucho de batería al agua o la lluvia.**

- Un cortocircuito en la batería puede causar un flujo grande de corriente, sobrecalentamiento, posibles quemaduras e incluso una descompostura.
- No guarde la herramienta ni el cartucho de batería en lugares donde la temperatura pueda alcanzar o exceder los 50°C (122°F).
 - Nunca incinere el cartucho de batería incluso en el caso de que esté dañado seriamente o ya no sirva en absoluto. El cartucho de batería puede explotar si se tira al fuego.
 - Tenga cuidado de no dejar caer ni golpear la batería.
 - No use una batería dañada.
 - Las baterías de ión de litio están sujetas a los requisitos reglamentarios en materia de bienes peligrosos.
Para el transporte comercial, por ej., mediante terceros o agentes de transporte, se deben tomar en cuenta los requisitos especiales relativos al empaque y el etiquetado.
Para efectuar los preparativos del artículo que se va a enviar, se requiere consultar a un experto en materiales peligrosos. Si es posible, consulte además otras regulaciones nacionales más detalladas.
Pegue o cubra con cinta adhesiva los contactos abiertos y empaque la batería de manera que ésta no pueda moverse dentro del paquete.
 - Para deshacerse del cartucho de batería, sáquelo de la herramienta y deséchelo en un lugar seguro. Siga las regulaciones locales relacionadas al desecho de las baterías.
 - Utilice las baterías únicamente con los productos especificados por Makita. Instalar las baterías en productos que no cumplan con los requisitos podría ocasionar un incendio, un calentamiento excesivo, una explosión o una fuga de electrolito.
 - Si no se utiliza la herramienta por un período largo, debe extraerse la batería de la herramienta.

GUARDE ESTAS INSTRUCCIONES.

⚠️ PRECAUCIÓN: Utilice únicamente baterías originales de Makita. El uso de baterías no originales de Makita, o de baterías alteradas, puede ocasionar que las baterías exploten causando un incendio, lesiones personales y daños. Asimismo, esto invalidará la garantía de Makita para la herramienta y el cargador Makita.

Consejos para alargar al máximo la vida útil de la batería

- Cargue el cartucho de batería antes de que se descargue completamente. Pare siempre la operación y cargue el cartucho de batería cuando note menos potencia en la herramienta.
- No cargue nunca un cartucho de batería que esté completamente cargado. La sobrecarga acortará la vida de servicio de la batería.

- Cargue el cartucho de batería a una temperatura ambiente de 10 °C - 40 °C (50 °F - 104 °F). Si un cartucho de batería está caliente, déjelo enfriar antes de cargarlo.
- Cargue el cartucho de batería si no va a utilizarlo durante un período prolongado (más de seis meses).

Precaución de la FCC

Para Estados Unidos

Este dispositivo cumple con lo dispuesto en la Parte 15 de las Normas de la FCC. La operación está sujeta a las siguientes dos condiciones:

- este dispositivo no debe causar una interferencia dañina, y
 - este dispositivo debe aceptar cualquier interferencia recibida, incluyendo la interferencia que pueda ocasionar una operación no deseada.
- Cualquier cambio o modificación que no haya sido expresamente aprobada por la parte responsable del cumplimiento podría anular la autoridad del usuario para operar el equipo.

Nota: Este equipo fue sometido a pruebas y se ha comprobado que cumple con los límites para un dispositivo digital Clase B, conforme a lo dispuesto en la Parte 15 de las Normas de la FCC. Estos límites están diseñados para proporcionar una protección razonable contra una interferencia dañina en una instalación residencial. Este equipo genera, usa y puede irradiar energía de radiofrecuencia y, si no se instala y se usa de acuerdo con las instrucciones, puede causar una interferencia dañina a las radiocomunicaciones. Sin embargo, no hay ninguna garantía de que la interferencia no ocurrirá en una instalación en particular. Si este equipo llega a causar una interferencia dañina a la recepción de radio o televisión, lo cual puede determinarse encendiendo y apagando el equipo, el usuario deberá intentar corregir la interferencia tomando una o varias de las siguientes medidas:

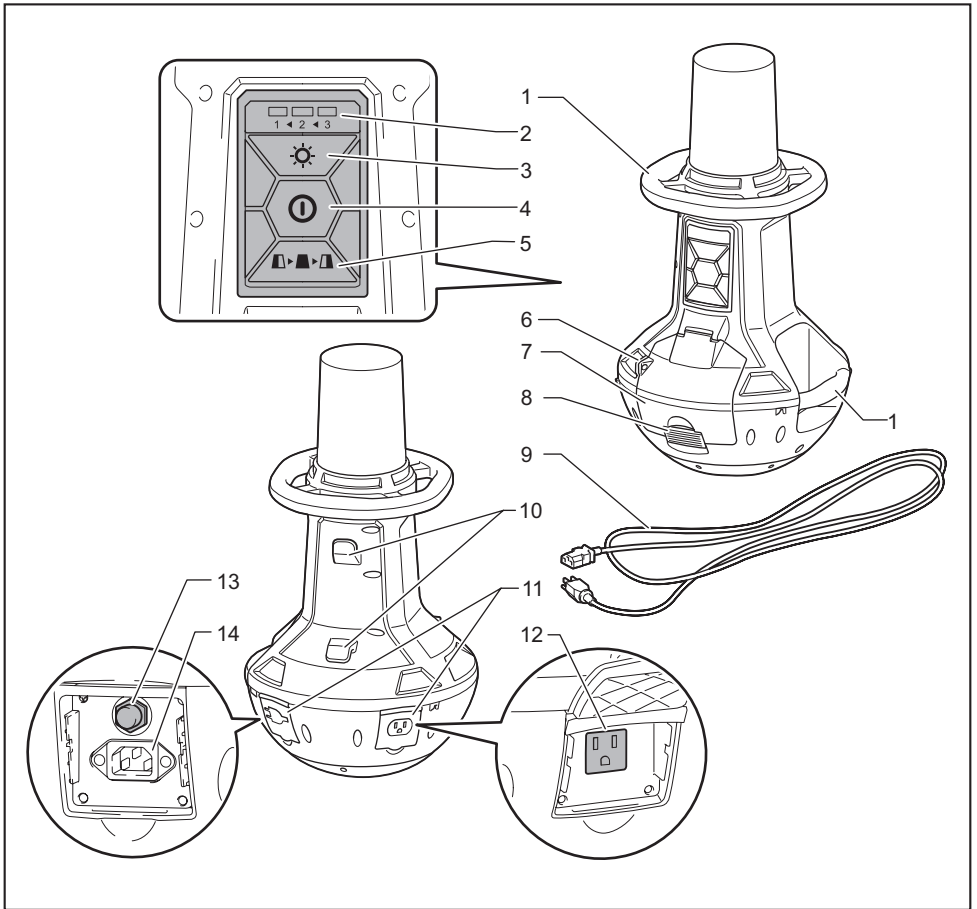
- Reorientar o reubicar la antena receptora.
- Aumentar la separación entre el equipo y el receptor.
- Conectar el equipo a una toma de corriente en un circuito distinto al cual esté conectado el receptor.
- Consultar al distribuidor o a un técnico experto en radio/TV para solicitar asistencia.

Norma ICES-005

Para Canadá

CAN ICES-005(B)/NMB-005(B)

DESCRIPCIÓN DE LAS PIEZAS



1	Mango portador	2	Indicador de brillo	3	Botón para cambio de brillo
4	Botón de interruptor de alimentación	5	Botón para cambio de área de iluminación	6	Orificio para el candado
7	Cubierta de la batería	8	Seguro de la cubierta	9	Cable de alimentación
10	Gancho para cable de alimentación	11	Cubierta del receptáculo	12	Toma de corriente de C.A.
13	Botón para reinicio del disyuntor	14	Entrada de C.A.	-	-

NOTA: La forma de la clavija del cable de alimentación varía de país a país.

DESCRIPCIÓN DEL FUNCIONAMIENTO

⚠PRECAUCIÓN: Asegúrese siempre de que el aparato esté apagado y que el cartucho de la batería haya sido extraído antes de realizar cualquier ajuste o revisión del funcionamiento del aparato.

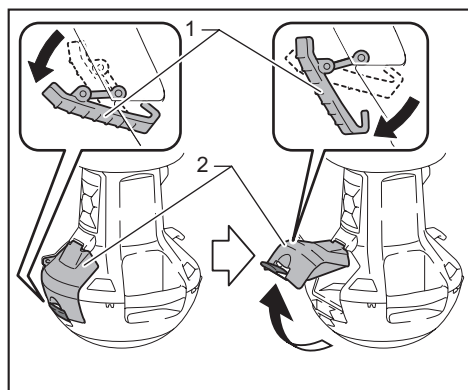
Instalación o extracción del cartucho de batería

⚠PRECAUCIÓN: Apague siempre el aparato antes de instalar o extraer el cartucho de la batería.

⚠PRECAUCIÓN: Sujete el aparato y el cartucho de la batería con firmeza al colocar o quitar el cartucho de la batería. Si no se sujeta con firmeza el aparato y el cartucho de la batería, puede ocasionar que se resbalen de sus manos resultando en daños al aparato y al cartucho de la batería, así como lesiones a la persona.

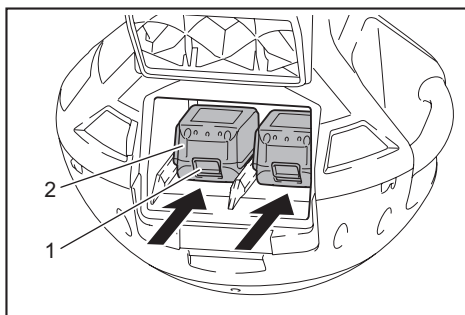
⚠PRECAUCIÓN: Tenga cuidado de que los dedos no queden atrapados entre el dispositivo y el cartucho de la batería cuando cargue el cartucho de la batería, así como entre el aparato y la cubierta de la batería cuando cierre la cubierta de la batería.

Para instalar el cartucho de batería, libere el seguro de la cubierta y abra la cubierta de la batería.



► 1. Seguro de la cubierta 2. Cubierta de la batería

Para instalar el cartucho de batería, alinee la lengüeta sobre el cartucho de batería con la ranura en la carcasa y deslícelo hasta su lugar. Insértelo por completo hasta que se fije en su lugar con un pequeño clic. Luego cierre la cubierta de la batería.



► 1. Botón 2. Cartucho de batería

Para quitar el cartucho de batería, deslícelo del aparato mientras desliza el botón sobre la parte delantera del cartucho.

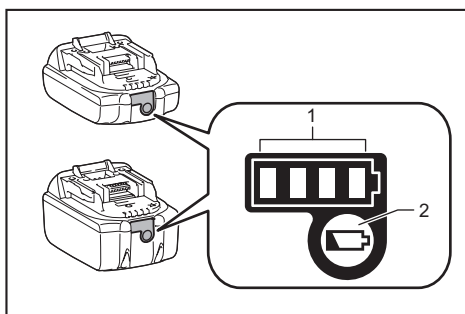
⚠PRECAUCIÓN: Instale siempre el cartucho de batería por completo. De no hacerlo, éste podría caerse accidentalmente del aparato, ocasionándose lesiones a usted o a alguien cerca de usted.

⚠PRECAUCIÓN: No instale el cartucho de batería a la fuerza. Si el cartucho no se desliza al interior fácilmente, se debe a que no está siendo insertado correctamente.

NOTA: Se pueden instalar hasta dos cartuchos de batería, aunque el aparato utiliza solo un cartucho de batería para funcionar.

Indicación de la capacidad restante de la batería

Únicamente para cartuchos de batería con el indicador



► 1. Luces indicadoras 2. Botón de verificación

Oprima el botón de verificación en el cartucho de la batería para que indique la capacidad restante de la batería. Las luces indicadoras se iluminarán por algunos segundos.

Luces indicadoras			Capacidad restante
Iluminadas	Apagadas	Parpadeando	
■	□	▧	75% a 100%
■ ■ ■ ■			
	□		50% a 75%
■ ■ ■ □			
	□		25% a 50%
■ ■ □ □			
	□		0% a 25%
■ □ □ □			
▧	□		Cargar la batería.
▧ □ □ □			
■ ■ □ □			La batería pudo haber funcionado mal.
□ □ ■ ■	↑ ↓		

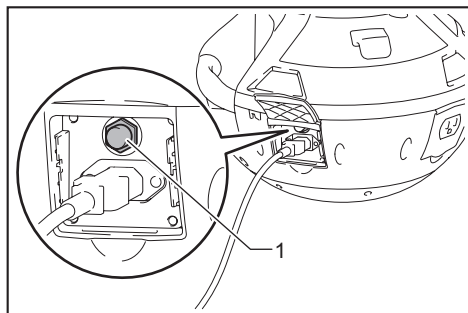
NOTA: Dependiendo de las condiciones de uso y la temperatura ambiente, la indicación podrá diferir ligeramente de la capacidad real.

Sistema de protección del aparato/batería

El aparato está equipado con el sistema de protección. Este sistema corta automáticamente la alimentación para prolongar la vida del aparato y de la batería. El aparato se detendrá automáticamente durante la operación si el aparato o la batería se someten a una de las siguientes condiciones.

Protección contra sobrecarga

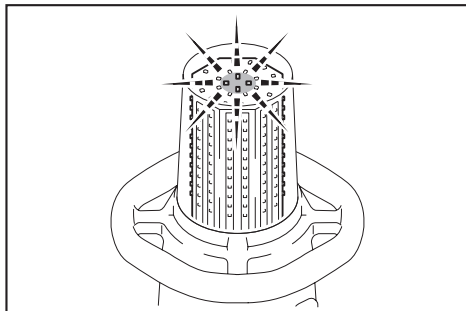
Cuando el aparato se está utilizando de manera que causa que consuma una cantidad de corriente inusualmente alta, el aparato se detiene automáticamente sin que haya indicación alguna. En esta situación, extraiga e instale el cartucho de la batería cuando lo utilice con alimentación de C.C. o presione el botón para reinicio del disyuntor cuando utilice la alimentación de C.A. Luego encienda el aparato para volver a arrancarlo.



► 1. Botón para reinicio del disyuntor

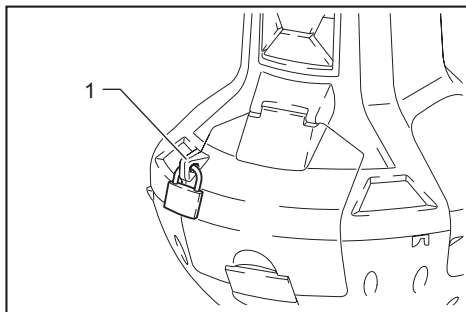
Protección en caso de sobrecarga

Cuando la capacidad de la batería se reduzca, las luces LED se apagarán salvo una parte de las luces LED, según se ilustra. Luego, aproximadamente cinco a diez minutos más tarde, el sistema corta automáticamente la alimentación. En esta situación, retire el cartucho de la batería del aparato y cárguelo.



Orificio para el candado

Se proporciona un orificio para el candado como método antirobo de los cartuchos de batería.



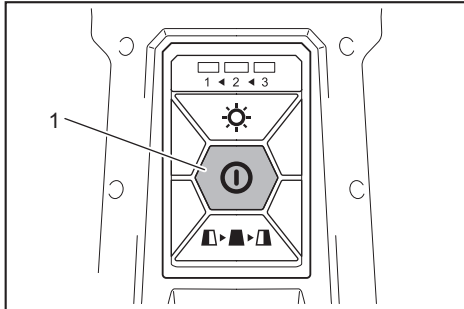
► 1. Orificio para el candado

OPERACIÓN

⚠PRECAUCIÓN: Este aparato está diseñado para uso comercial. No use el aparato en hogares.

Encendido / apagado de la herramienta.

Oprima el botón de interruptor de alimentación para encender el aparato. Oprima el botón de interruptor de alimentación nuevamente para apagar el aparato.

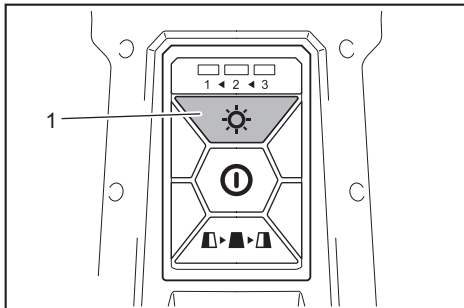


► 1. Botón de interruptor de alimentación

NOTA: El aparato se enciende en el mismo modo que la configuración más reciente.

Cambio del brillo

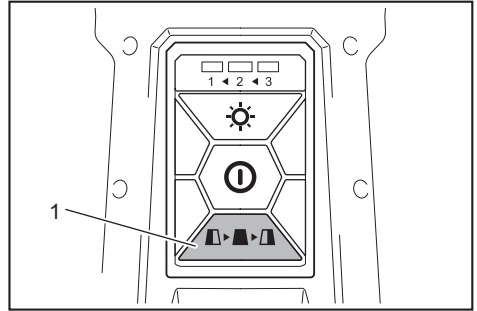
Oprima el botón para cambio de brillo mientras el aparato está en operación. El brillo disminuye cada vez que presiona el botón para cambio de brillo. El brillo volverá al nivel más alto cuando funcione en el brillo más bajo.



► 1. Botón para cambio de brillo

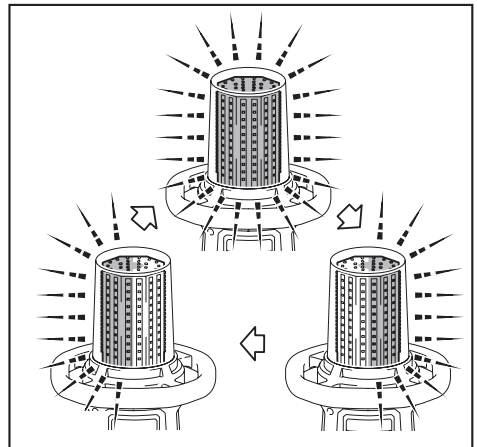
Cambio del área de iluminación

Oprima el botón para cambio de área de iluminación mientras el aparato está en operación.



► 1. Botón para cambio de área de iluminación

El área de iluminación cambia cada vez que presiona el botón para cambio de área de iluminación, según se ilustra.



Uso con energía de C.A.

⚠ADVERTENCIA: Nunca utilice el aparato cuando el cable o la clavija están dañados.

⚠ADVERTENCIA: No manipule la clavija con las manos húmedas o manchadas de grasa.

⚠ADVERTENCIA: No deje desconectado el cable de alimentación del aparato mientras se esté suministrando energía desde una red eléctrica. Los niños pequeños podrían introducir la clavija con corriente en su boca y sufrir alguna lesión.

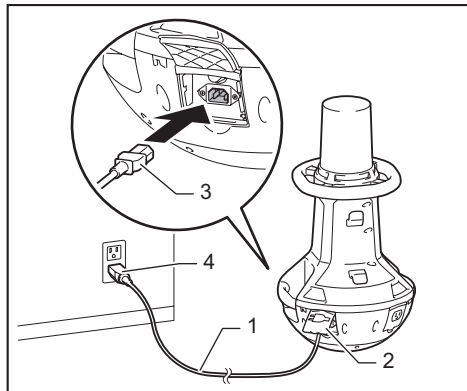
⚠ADVERTENCIA: No se meta a la boca el cable o la clavija cuando tengan aún corriente. El hacerlo podría ocasionar una descarga eléctrica.

⚠ADVERTENCIA: Asegúrese de que la tensión nominal de la fuente de alimentación principal corresponda con la del aparato.

⚠ADVERTENCIA: Una toma de corriente conectada deberá estar conectada a tierra.

Cuando utilice el aparato con alimentación de C.A., utilice el cable de alimentación que se suministra con el aparato.

Inserte la clavija en la entrada de C.A. del aparato, luego inserte el otro extremo a una toma de corriente.



- 1. Cable de alimentación 2. Cubierta del receptáculo (entrada de C.A.) 3. Clavija (para el aparato) 4. Clavija (para una toma de corriente)

⚠PRECAUCIÓN: Asegúrese de insertar primero la clavija en el aparato, luego inserte el otro extremo a una toma de corriente.

⚠PRECAUCIÓN: Siempre cierre la cubierta del receptáculo firmemente cuando el cable de alimentación no esté enchufado.

NOTA: Incluso mientras funciona en alimentación de C.C., el aparato cambia automáticamente a alimentación de C.A. cuando el cable de alimentación está enchufado.

NOTA: La alimentación de C.A. no carga la batería insertada en el aparato.

NOTA: La forma de la clavija del cable de alimentación varía de país a país.

Uso interconectado

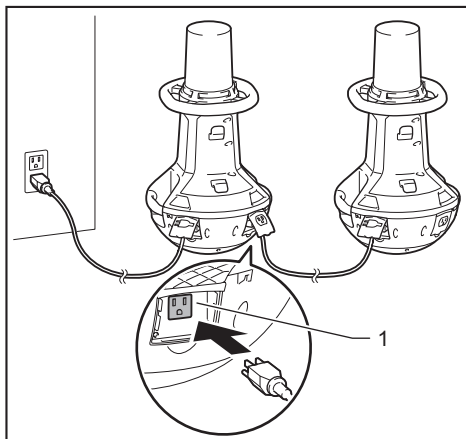
⚠PRECAUCIÓN: No conecte ningún otro aparato que no sea el modelo DML810 en la toma de corriente de C.A.

⚠PRECAUCIÓN: Utilice siempre el cable de alimentación que se suministra con el aparato.

⚠PRECAUCIÓN: No interconecte aparatos más allá del número máximo de aparatos interconectables especificados en las instrucciones.

Cuando utilice el aparato interconectado con otro aparato, conéctelos con el cable de alimentación.

Inserte la clavija en la entrada de C.A. del aparato que se va a alimentar, luego inserte el otro extremo a la toma de corriente de C.A. del aparato que va a alimentar.

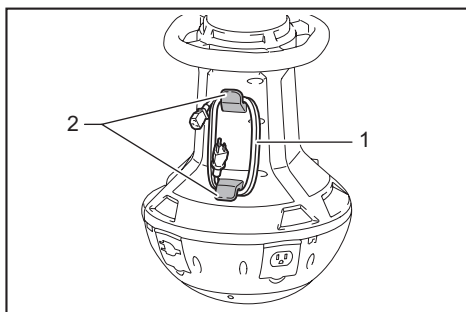


- 1. Toma de corriente de C.A.

NOTA: Cuando se utilizan los aparatos interconectados, las operaciones como encendido / apagado, cambio de brillo y el cambio del área de iluminación no están vinculadas. Cada aparato debe ser operado.

Acomodado del cable de alimentación

Enrolle firmemente el cable de alimentación en el gancho para cable de alimentación.



- 1. Cable de alimentación 2. Gancho para cable de alimentación

MANTENIMIENTO

⚠PRECAUCIÓN: Asegúrese siempre de que el aparato haya sido apagado y desconectado, y que el cartucho de batería haya sido extraído antes de intentar realizar una inspección o tarea de mantenimiento.

AVISO: Nunca use gasolina, bencina, diluyente (tíner), alcohol o sustancias similares. Puede que esto ocasione grietas o descoloramiento.

Para mantener la SEGURIDAD y FIABILIDAD del producto, las reparaciones, y cualquier otra tarea de mantenimiento o ajuste deberán ser realizadas en centros de servicio autorizados o de fábrica Makita, empleando siempre repuestos Makita.

ACCESORIOS OPCIONALES

⚠PRECAUCIÓN: Estos accesorios o aditamentos están recomendados para utilizarse con su herramienta Makita especificada en este manual. El empleo de cualquier otro accesorio o aditamento puede conllevar el riesgo de lesiones personales. Utilice los accesorios o aditamentos solamente para su fin establecido.

Si necesita cualquier ayuda para más detalles en relación con estos accesorios, pregunte a su centro de servicio local Makita.

- Batería y cargador originales de Makita

NOTA: Algunos de los artículos en la lista pueden incluirse en el paquete de la herramienta como accesorios estándar. Éstos pueden variar de país a país.

GARANTÍA LIMITADA DE MAKITA

Ésta Garantía no aplica para México

Consulte la hoja de la garantía anexa para ver los términos más vigentes de la garantía aplicable a este producto. En caso de no disponer de esta hoja de garantía anexa, consulte los detalles sobre la garantía descritos en el sitio web de su país respectivo indicado a continuación.

Estados Unidos de América: www.makitatools.com

Canadá: www.makita.ca

Otros países: www.makita.com

Makita Corporation
3-11-8, Sumiyoshi-cho,
Anjo, Aichi 446-8502 Japan
www.makita.com

DML810-NA3-1910
EN, FRCA, ESMX
20191105