

INSTRUCTION MANUAL
MANUEL D'INSTRUCTION
MANUAL DE INSTRUCCIONES

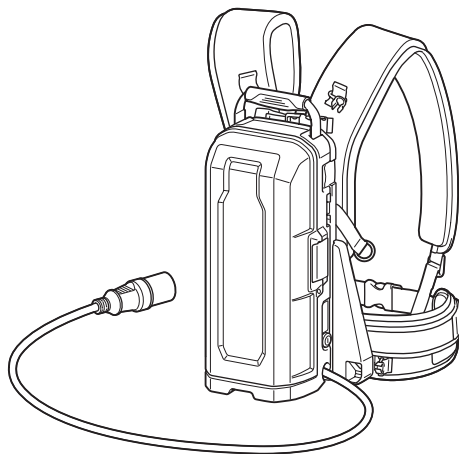


Portable Power Pack

Support d'alimentation portable

Unidad Portátil de Alimentación Eléctrica

PDC01



IMPORTANT: Read Before Using.

IMPORTANT : Lire avant usage.

IMPORTANTE: Lea antes de usar.

SPECIFICATIONS

Intended use

The portable power pack enables the batteries and the tool or machine to be separated, making it suitable for a long time work by switching the installed batteries.

This unit can be used with the following tools or machines.

- 18 V battery-powered tool or machine
- 36 V (18 V x 2) battery-powered tool or machine
- Battery-powered tool or machine (direct connection to portable power pack)

About this instruction manual

The term "unit" in this instruction manual refers to portable power pack.

Compatible tool or machine category

- Cordless Chain Saw, Cordless Pole Saw, Cordless Blower, Cordless Grass Trimmer, Cordless String Trimmer, Cordless Multi Function Power Head, Cordless Hedge Trimmer, Cordless Grass Shear, Cordless Pole Hedge Trimmer, Cordless Angle Grinder, Cordless Rotary Hammer*
- * Except for DHR280 / DHR281 / DHR282 / DHR283 / XRH08 / XRH10 / XRH11

The compatible category of tool or machine is subject to change without notice. Refer to the latest instruction manual for the information on the compatible category of tool or machine.

⚠ WARNING: Never use this unit with tools or machines categorized below. Using this unit with non-compatible tools or machines may cause personal injury or malfunction.

- Cordless Garden Sprayer, Battery Powered Pruning Shears, Battery Powered Wheelbarrow, Motor-Assisted Bicycle, Cordless Backpack Vacuum Cleaner, Robotic Cleaner, Cordless Fan Jacket, Cordless Heated Jacket

Applicable battery cartridge and charger

Battery cartridge	BL1815N / BL1820B / BL1830 / BL1830B / BL1840B / BL1850B / BL1860B
Charger	DC18RC / DC18RD / DC18RE / DC18SD / DC18SE / DC18SF / DC18SH

- Some of the battery cartridges and chargers listed above may not be available depending on your region of residence.

⚠ WARNING: Only use the battery cartridges and chargers listed above. Use of any other battery cartridges and chargers may cause injury and/or fire.

SAFETY WARNINGS

Portable power pack safety warnings

1. Be sure to read the instruction manual of the tool or machine before use.
2. Do not pick up or carry this unit by holding only the cord. Do not pull the cord while you are wearing or using this unit.
3. Before wearing the unit, remove the adapters from the tool or machine.
4. When you leave the tool or machine, be sure to remove the adapters from the tool or machine, or remove the unit from your body.
5. Be careful not to trip over the cord during operation.
6. Do not use this unit on an unstable surface, or unstable high places.
7. Do not use multiple units by connecting one unit to another unit.
8. During operation, keep the cord away from obstacles. The cord caught by obstacles may cause serious injury.
9. Do not insert the adapters into the charger.
10. Do not install the adapters to the battery ports of this unit.
11. This unit is designed exclusively for use with 18 V batteries. Do not use the batteries other than 18 V batteries.
12. Inspect the unit, cords, and harness before use. If they are damaged, ask your local Makita Authorized Service Center for repair.
13. When attaching the cord to the cord holder, be sure to attach it slowly and securely.
14. Always make sure that the tool or machine is switched off and the adapters are removed before attempting to perform inspection or maintenance of the tool or machine.
15. When using this unit with a tool equipped with a blade, be sure to keep the cord away from the blade.
16. Do not use this unit when you are using a safety harness.
17. Do not use this unit while you are climbing up in a tree.
18. Do not use this unit when you are wearing cordless fan jacket or cordless heated jacket.
19. Do not expose this unit to sparks.
20. When using this unit without wearing it, be sure to lay down the unit.
21. Do not let water enter into the cover.
22. Do not disassemble, repair, or modify the unit.
23. Be careful not to entangle the harness or belt by the tool or machine.
24. When using the unit, be careful not to cut the cords with the tool or machine.

Symbols

The followings show the symbols used for tool.

V	volts
— ---	direct current

Important safety instructions for battery cartridge

1. Before using battery cartridge, read all instructions and cautionary markings on (1) battery charger, (2) battery, and (3) product using battery.
2. Do not disassemble or tamper the battery cartridge. It may result in a fire, excessive heat, or explosion.
3. If operating time has become excessively shorter, stop operating immediately. It may result in a risk of overheating, possible burns and even an explosion.
4. If electrolyte gets into your eyes, rinse them out with clear water and seek medical attention right away. It may result in loss of your eyesight.

5. Do not short the battery cartridge:

- (1) Do not touch the terminals with any conductive material.
- (2) Avoid storing battery cartridge in a container with other metal objects such as nails, coins, etc.
- (3) Do not expose battery cartridge to water or rain.

A battery short can cause a large current flow, overheating, possible burns and even a breakdown.

6. Do not store and use the tool and battery cartridge in locations where the temperature may reach or exceed 50 °C (122 °F).
7. Do not incinerate the battery cartridge even if it is severely damaged or is completely worn out. The battery cartridge can explode in a fire.
8. Do not nail, cut, crush, throw, drop the battery cartridge, or hit against a hard object to the battery cartridge. Such conduct may result in a fire, excessive heat, or explosion.
9. Do not use a damaged battery.
10. The contained lithium-ion batteries are subject to the Dangerous Goods Legislation requirements.

For commercial transports e.g. by third parties, forwarding agents, special requirement on packaging and labeling must be observed.

For preparation of the item being shipped, consulting an expert for hazardous material is required. Please also observe possibly more detailed national regulations.

Tape or mask off open contacts and pack up the battery in such a manner that it cannot move around in the packaging.

11. When disposing the battery cartridge, remove it from the tool and dispose of it in a safe place. Follow your local regulations relating to disposal of battery.
12. Use the batteries only with the products specified by Makita. Installing the batteries to non-compliant products may result in a fire, excessive heat, explosion, or leak of electrolyte.
13. If the tool is not used for a long period of time, the battery must be removed from the tool.
14. During and after use, the battery cartridge may take on heat which can cause burns or low temperature burns. Pay attention to the handling of hot battery cartridges.
15. Do not touch the terminal of the tool immediately after use as it may get hot enough to cause burns.
16. Do not allow chips, dust, or soil stuck into the terminals, holes, and grooves of the battery cartridge. It may result in poor performance or breakdown of the tool or battery cartridge.
17. Unless the tool supports the use near high-voltage electrical power lines, do not use the battery cartridge near a high-voltage electrical power lines. It may result in a malfunction or breakdown of the tool or battery cartridge.
18. Keep the battery away from children.

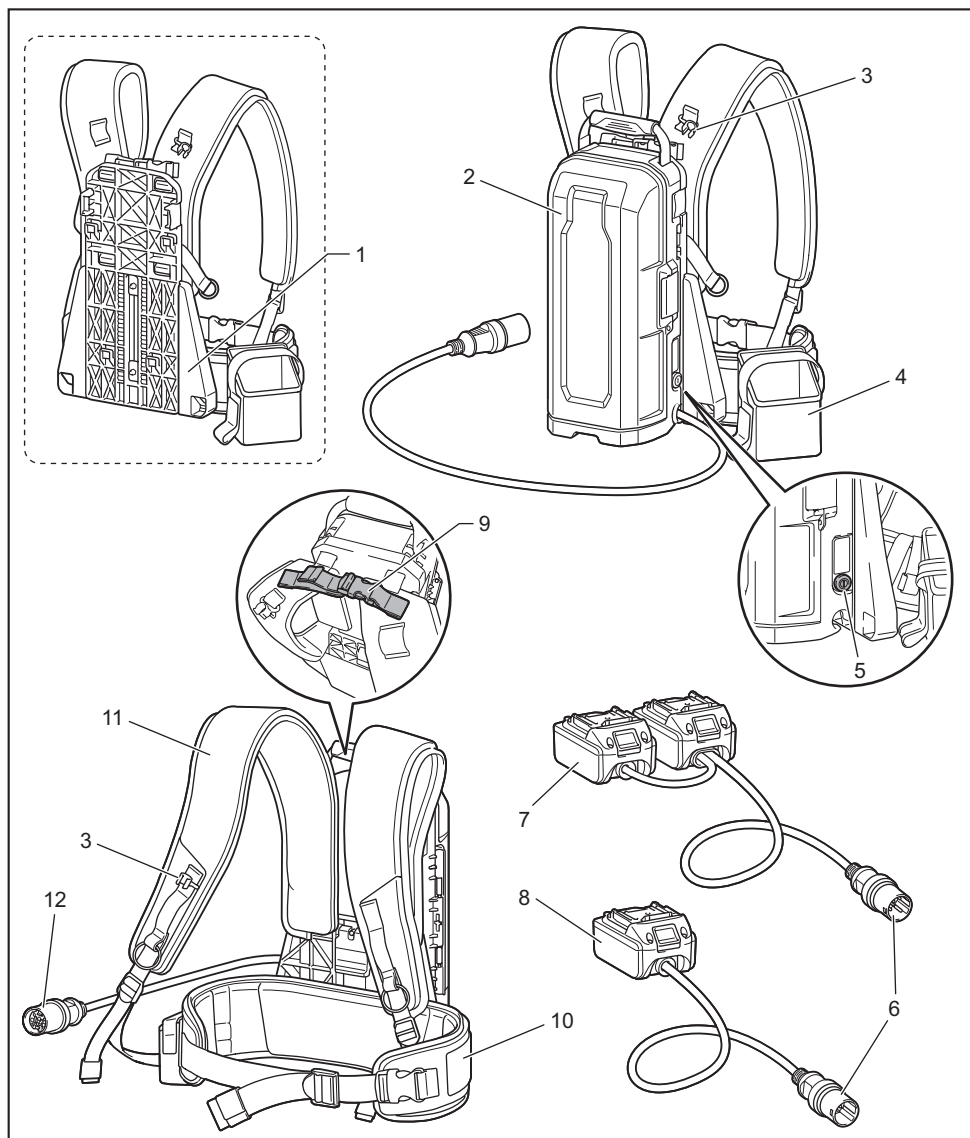
SAVE THESE INSTRUCTIONS.

CAUTION: Only use genuine Makita batteries. Use of non-genuine Makita batteries, or batteries that have been altered, may result in the battery bursting causing fires, personal injury and damage. It will also void the Makita warranty for the Makita tool and charger.

Tips for maintaining maximum battery life

1. Charge the battery cartridge before completely discharged. Always stop tool operation and charge the battery cartridge when you notice less tool power.
2. Never recharge a fully charged battery cartridge. Overcharging shortens the battery service life.
3. Charge the battery cartridge with room temperature at 10 °C - 40 °C (50 °F - 104 °F). Let a hot battery cartridge cool down before charging it.
4. When not using the battery cartridge, remove it from the tool or the charger.
5. Charge the battery cartridge if you do not use it for a long period (more than six months).

PARTS DESCRIPTION



1	Base plate	2	Battery box	3	Cord holder	4	Adapter pocket
5	Power button	6	Plug	7	Adapters for 36 V (18 V x 2) (optional accessory)	8	Adapter for 18 V (optional accessory)
9	Width adjustment belt	10	Waist belt	11	Shoulder harness	12	Socket

FUNCTIONAL DESCRIPTION

CAUTION: Always be sure that the unit is switched off and the battery cartridge is removed before adjusting or checking function on the unit.

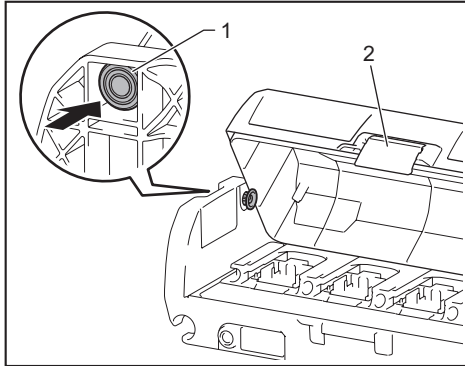
Installing or removing battery cartridge

CAUTION: Always switch off the unit before installing or removing of the battery cartridge.

CAUTION: Hold the unit and the battery cartridge firmly when installing or removing battery cartridge. Failure to hold the unit and the battery cartridge firmly may cause them to slip off your hands and result in damage to the unit and battery cartridge and a personal injury.

CAUTION: When installing or removing the battery cartridge, place the unit on a flat and stable surface. Otherwise, the battery cartridge may fall accidentally and cause an injury.

1. Pull up the lever and open the cover of the battery box.
2. Push the lock button, and then lock the cover with the lock button.



- 1. Lock button 2. Lever

CAUTION: Make sure that the cover is locked with the lock button securely. Otherwise, the cover may close accidentally, and cause an injury.

3. Install the battery cartridges.
4. Raise the cover to release the lock button, and then close the cover and lock the cover with the lever.

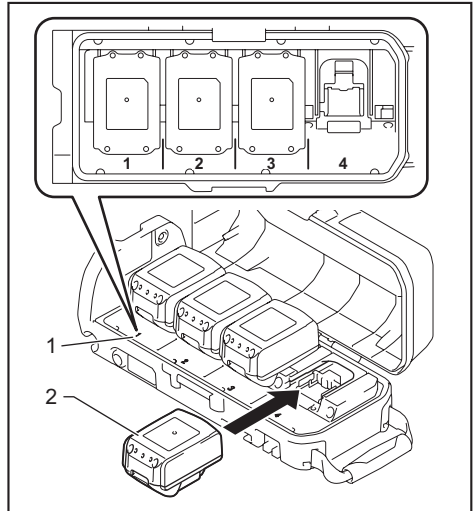
CAUTION: Make sure that the cover is closed securely and locked. Otherwise, water or rain may enter inside the battery box and cause an electric shock or malfunction.

NOTICE: When using this unit with 36 V (18 V x 2) battery-powered tool or machine, install at least one battery to battery port 1 or 2, and at least one battery to battery port 3 or 4.

NOTE: This unit automatically switches the batteries to be used among the installed batteries. The unit selects the appropriate battery every time the tool or machine is turned on.

NOTE: When using this unit with 18 V battery-powered tool or machine, install at least one battery cartridge to one of the battery ports.

To install the battery cartridge, align the tongue on the battery cartridge with the groove in the housing and slip it into place. Insert it all the way until it locks in place with a little click. If you can see the red indicator on the upper side of the button, it is not locked completely.



- 1. Battery port 2. Battery cartridge

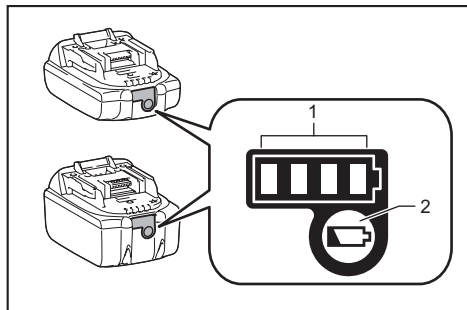
To remove the battery cartridge, slide it from the unit while sliding the button on the front of the cartridge.

CAUTION: Always install the battery cartridge fully until the red indicator cannot be seen. If not, it may accidentally fall out of the unit, causing injury to you or someone around you.

CAUTION: Do not install the battery cartridge forcibly. If the cartridge does not slide in easily, it is not being inserted correctly.

Indicating the remaining battery capacity

Only for battery cartridges with the indicator



► 1. Indicator lamps 2. Check button

Press the check button on the battery cartridge to indicate the remaining battery capacity. The indicator lamps light up for a few seconds.

Indicator lamps			Remaining capacity
Lighted	Off	Blinking	
■ ■ ■ ■	□ □ □ □	□ □ □ □	75% to 100%
■ ■ ■ □	□ □ □ □	□ □ □ □	50% to 75%
■ ■ □ □	□ □ □ □	□ □ □ □	25% to 50%
■ □ □ □	□ □ □ □	□ □ □ □	0% to 25%
▣ □ □ □	□ □ □ □	□ □ □ □	Charge the battery.
■ ■ □ □	□ □ □ □	□ □ □ □	The battery may have malfunctioned.
□ □ ■ ■	□ □ □ □	□ □ □ □	

NOTE: Depending on the conditions of use and the ambient temperature, the indication may differ slightly from the actual capacity.

Tool / battery protection system

The tool is equipped with a tool/battery protection system. This system automatically cuts off power to the motor to extend tool and battery life. The tool will automatically stop during operation if the tool or battery is placed under one of the following conditions:

Overload protection

When the tool or battery is operated in a manner that causes it to draw an abnormally high current, the tool automatically stops without any indication. In this situation, turn the tool off and stop the application that caused the tool to become overloaded. Then turn the tool on to restart.

Overheat protection

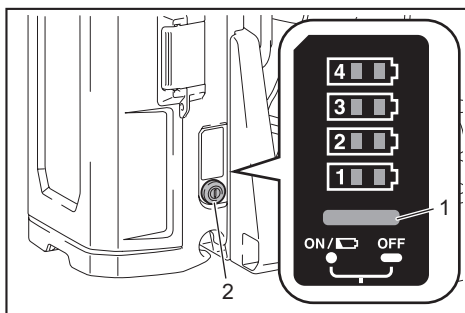
When the tool or battery is overheated, the tool stops automatically. In this case, let the tool and battery cool before turning the tool on again.

Overdischarge protection

When the battery capacity is not enough, the tool stops automatically. In this case, remove the battery from the tool and charge the battery.

Power button and battery indicator

CAUTION: Make sure that the tool or machine is turned off before turning on the unit. Otherwise, the tool or machine may start suddenly and cause an injury.



► 1. Main power lamp 2. Power button

To turn the power on, press the power button. The main power lamp lights up in green. To turn the power off, press the power button for a few seconds.

NOTE: If the unit and connected tool or machine are left unattended for 8 hours, the unit automatically turns off.

If the main power lamp blinks in green, the adapter is not connected to the unit, or the batteries are empty. In this case, connect the adapter to the unit, or charge the batteries. If the lamp keeps blinking in green, refer to the troubleshooting.

If the main power lamp blinks in red and green alternately, turn the power off, and then turn the power on. If the main power lamp keeps blinking in red and green alternately after turning the power on, ask your local Makita Authorized Service Center for repair.

Press the power button to indicate the remaining battery capacity. The indicator lamp that corresponds to each battery port lights up for approximately 5 seconds.

Indicator lamps			Remaining capacity
Lighted	Off	Blinking	
■ ■ ■ ■	□ □ □ □	□ □ □ □	50% to 100%
■ ■ □ □	□ □ □ □	□ □ □ □	0% to 50%
▣ □ □ □	□ □ □ □	□ □ □ □	Charge the battery.

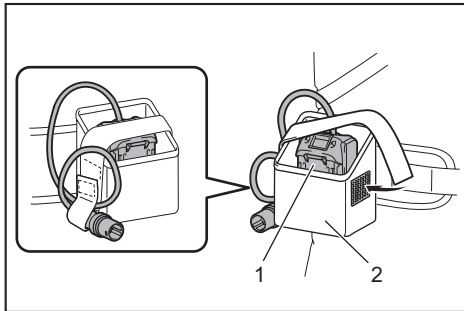
NOTE: The indicator lamps for remaining battery capacity is just for a reference. The actual battery capacity may differ depending on the usage conditions.

NOTE: If the tool or machine has indicator lamps for remaining battery capacity, do not refer to the indicator lamps of the tool or machine but to the indicator lamps of this unit.

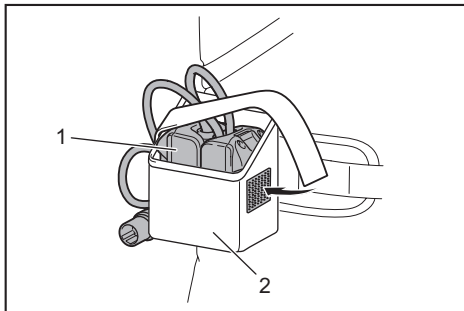
Using the adapter pocket

CAUTION: Do not use this unit with the cord fixed using the hook and loop fastener of the adapter pocket.

You can put the adapters into the adapter pocket as shown in the figure.



► 1. Adapter 2. Adapter pocket



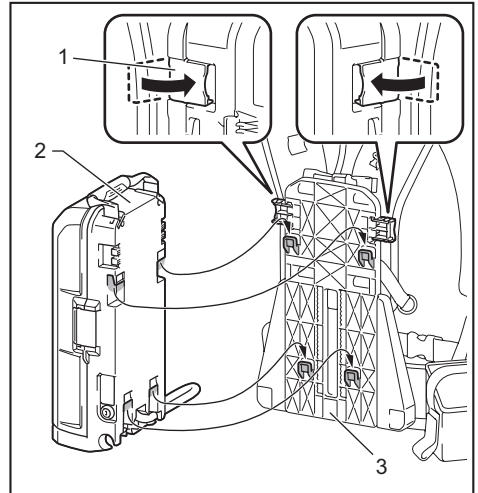
► 1. Adapter 2. Adapter pocket

ASSEMBLY

CAUTION: Always be sure that the unit is switched off and the battery cartridge is removed before carrying out any work on the unit.

Assembling the unit

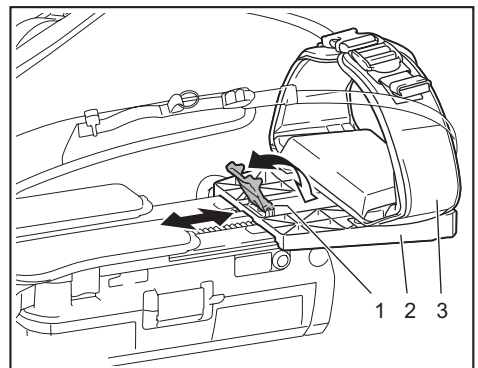
1. Attach the battery box to the base plate as shown in the figure. Be sure to lock the levers on both sides of the base plate after attaching the battery box.



► 1. Lever 2. Battery box 3. Base plate

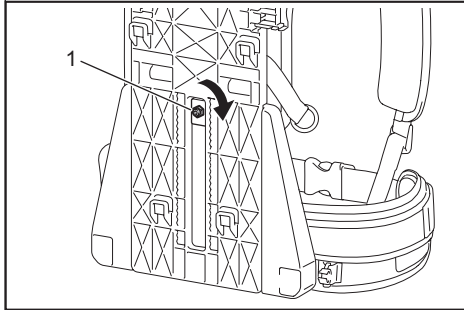
CAUTION: Make sure that the battery box is securely fixed to the base plate, and locked with levers. Otherwise, the battery box may fall when you wear the unit or use the unit, and cause an injury.

2. Adjust the position of the waist belt. Pull up the height adjustment lever, then adjust the position of the waist belt by sliding the base plate, and then return the lever.



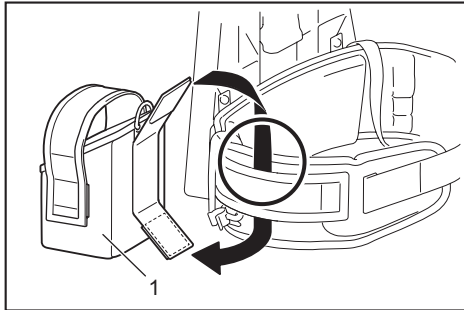
► 1. Height adjustment lever 2. Base plate 3. Waist belt

NOTICE: If the height adjustment lever is loose, tighten the nut of the height adjustment lever. When tightening the nut, do not tighten it excessively. Otherwise, the height adjustment lever will not move.



► 1. Nut

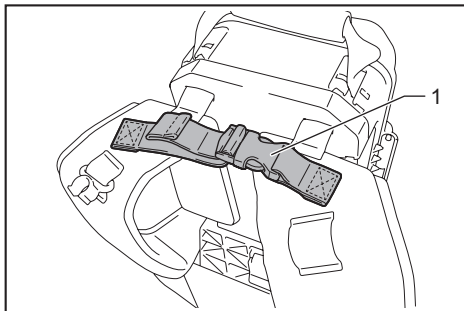
3. Attach the adapter pocket to the waist belt with the hook and loop fastener as shown in the figure.



► 1. Adapter pocket

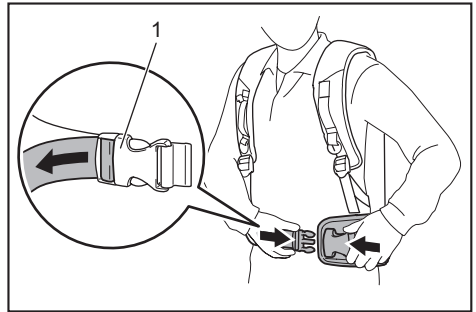
NOTE: The adapter pocket can be attached on either left or right side of the waist belt.

4. Adjust the width of the shoulder harness using the width adjustment belt.



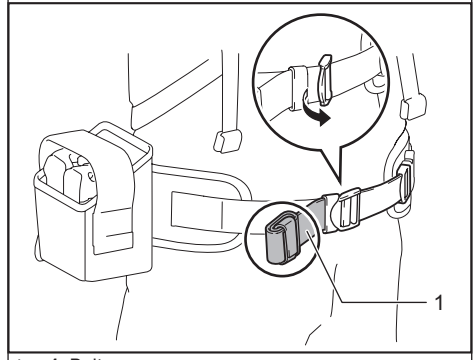
► 1. Width adjustment belt

5. Wear the unit, then lock the buckle of the waist belt, and then adjust the length of the waist belt.



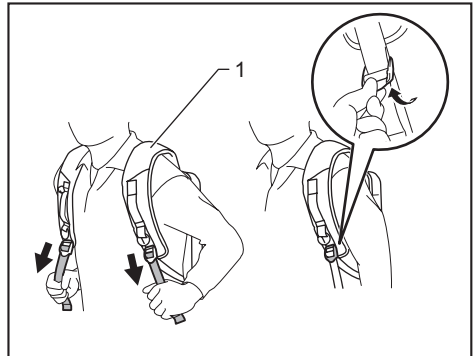
► 1. Buckle

NOTE: You can fold and fix the belt with the hook and loop fastener as shown in the figure.



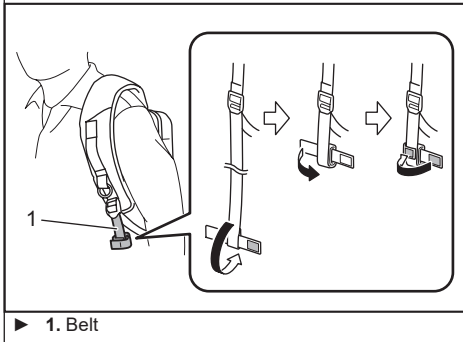
► 1. Belt

6. Adjust the length of the shoulder harness.



► 1. Shoulder harness

NOTE: You can fold and fix the belt with the hook and loop fastener as shown in the figure.



► 1. Belt

OPERATION

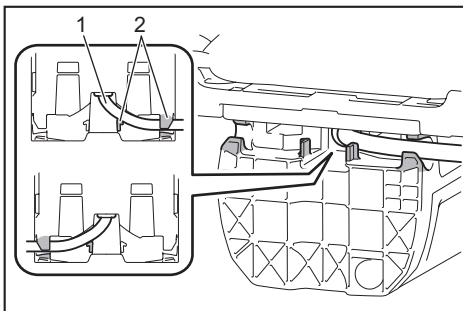
CAUTION: When wearing the unit, be sure to put shoulder harness on your both shoulders. Otherwise, the unit may fall when you wear the unit or use the unit, and cause an injury.

CAUTION: When wearing the unit, be sure to wear the unit on your back. Otherwise, the unit may fall during operation and cause an injury.

CAUTION: Always switch off the tool or machine before turning on the unit, or connecting the plug of the adapter or power tool/machine to the socket of the battery box. Otherwise, the tool or machine may start suddenly and cause an injury.

Connecting the unit to the tool or machine

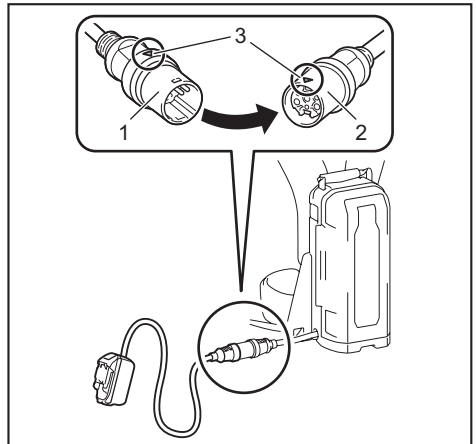
1. Pull out the cord from either left or right side of the battery box. When pulling out the cord, be sure to set the cord in the holders as shown in the figure.



► 1. Cord 2. Holder

2. Wear the unit.

3. Insert the plug of the adapter or power tool/machine into the socket of the battery box all the way so that the arrow mark on the plug is aligned with that on the socket.

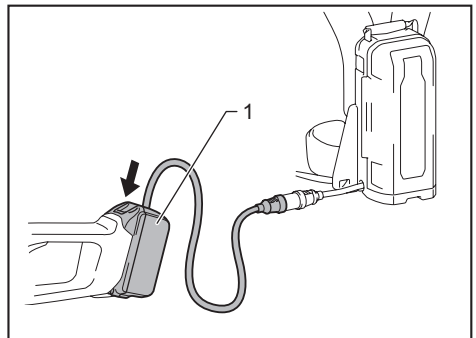


► 1. Plug 2. Socket 3. Arrow mark

NOTICE: When disconnecting the plug and socket, do not hold the cords but hold the plug and socket. Otherwise, the cords may be damaged and cause a malfunction of the unit.

NOTE: The plug and socket are disconnected if a certain load is applied.

4. Install the adapters to the tool or machine in the same way as the battery cartridge.

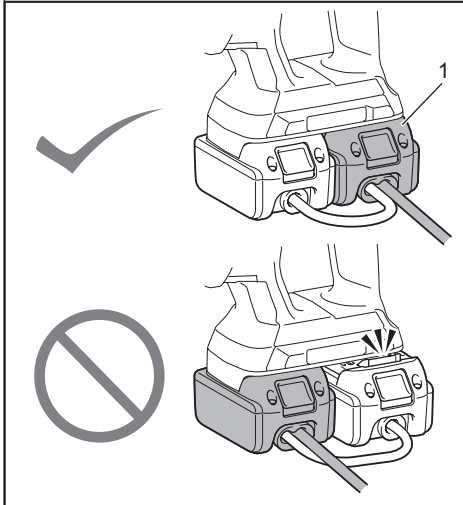


► 1. Adapter

NOTICE: For 18 V battery-powered tool or machine, use the adapter for 18 V. For 36 V (18 V x 2) battery-powered tool or machine, use the adapters for 36 V (18 V x 2).

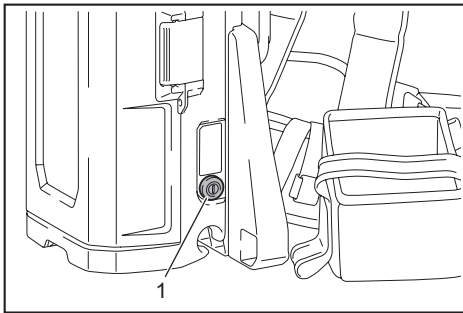
For direct connection type tool or machine, no adapter is required.

NOTICE: If you cannot install the adapters to the tool or machine when installing two adapters, swap one adapter with the other adapter and install them.



NOTE: The direction of the cord of the adapter can be changed in the range of approximately 180 degrees.

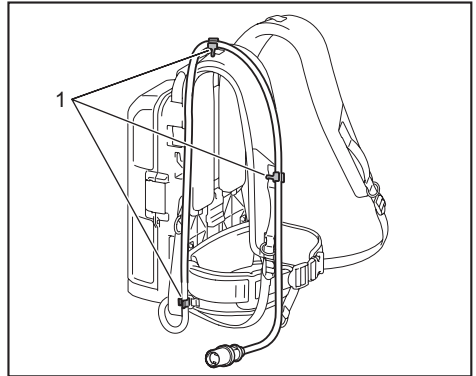
5. Press the power button to turn the power on. To turn the power off, press the power button for a few seconds.



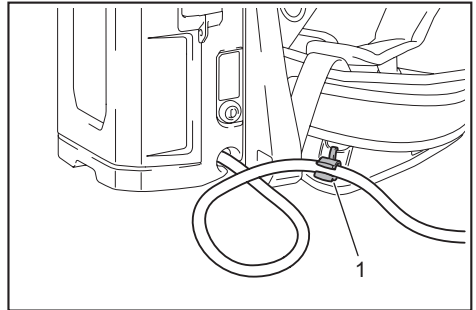
Using the cord holders

CAUTION: Attach only the cord of the battery box to the cord holders. Do not attach the cord of the adapters to the cord holders. Attaching the cord of the adapters may invite accident and cause an injury.

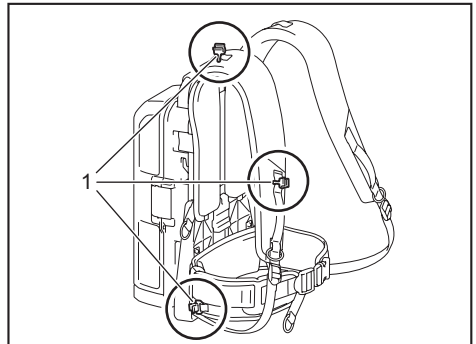
You can attach the cord of the battery box to the cord holders as shown in the figure.



You can also attach the cord using only the cord holder of the waist belt as shown in the figure.



The cord holders can be attached on either left or right side of the shoulder harness and waist belt.



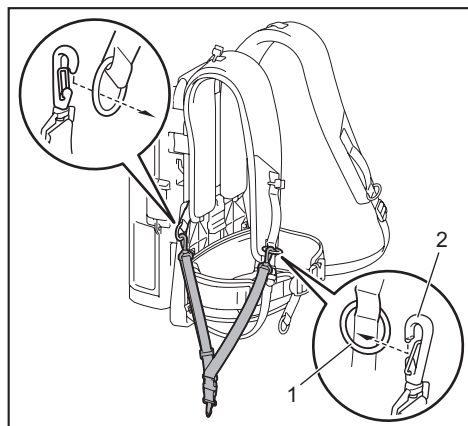
Using the hanging band

Optional accessory

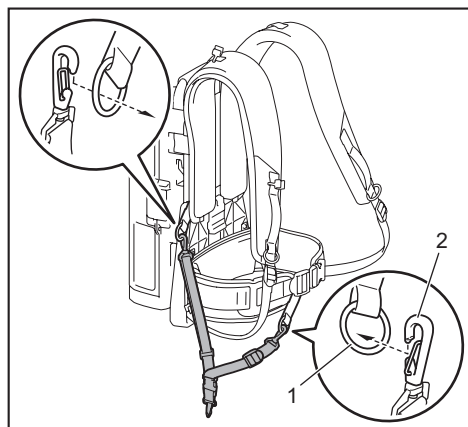
You can use the hanging band for cordless grass trimmer or cordless string trimmer with this unit.

Attaching the hanging band

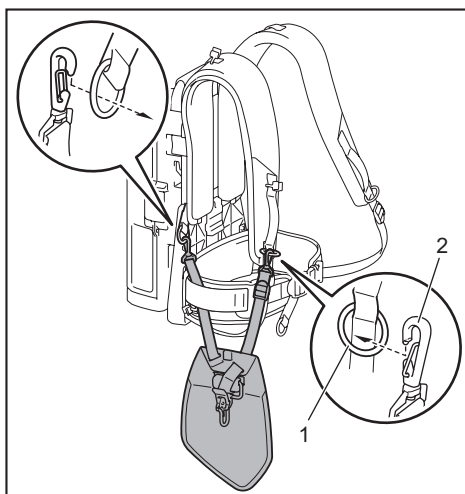
1. Attach the hooks of the hanging band to the rings of the shoulder harness or waist belt as shown in the figure. Select the type of band and the connecting method appropriate for your usage.



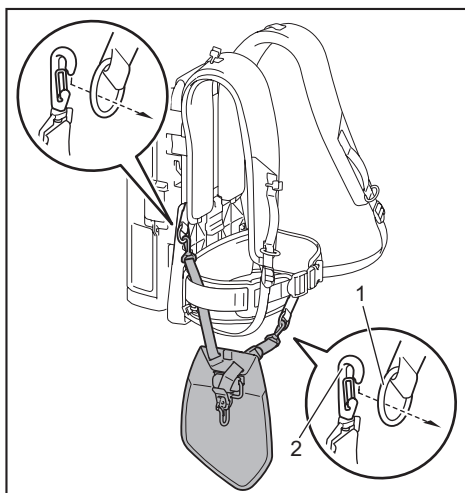
► 1. Ring 2. Hook



► 1. Ring 2. Hook

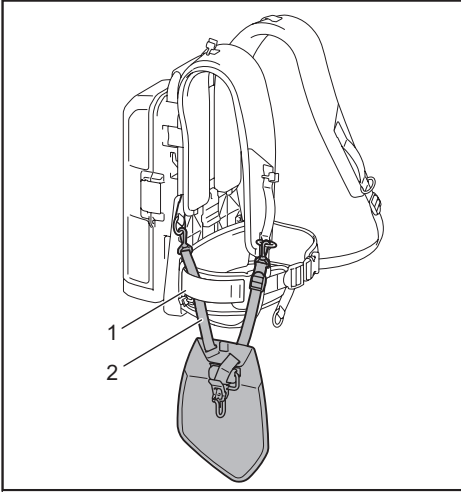


► 1. Ring 2. Hook



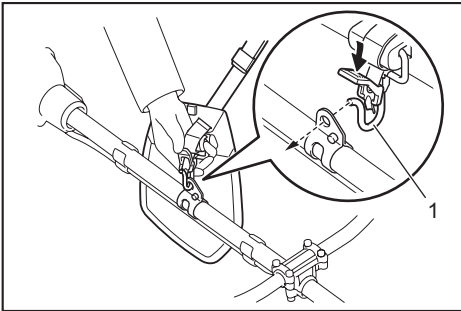
► 1. Ring 2. Hook

NOTE: If the tool is bike handle type, attach the band so that the band passes through inside of the waist belt as shown in the figure.



► 1. Waist belt 2. Band

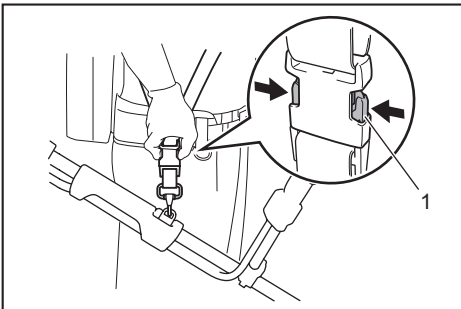
2. Attach the hook to the tool.



► 1. Hook

Detaching the tool

Push the levers on the buckle to unlock the buckle.

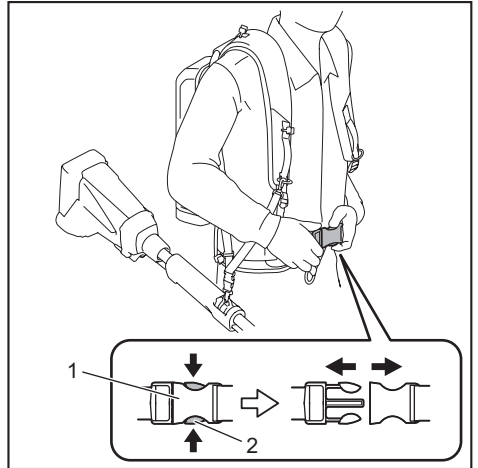


► 1. Lever

NOTE: The buckle is not equipped depending on the type of band.

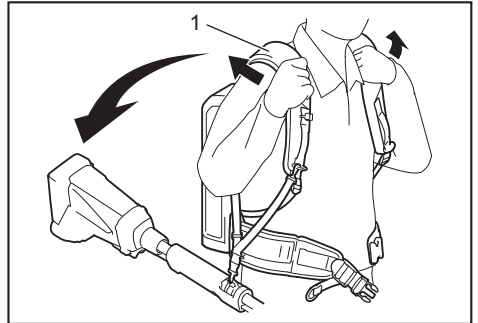
Emergency detachment

1. Push the levers on the buckle of the waist belt to unlock the buckle.



► 1. Buckle 2. Lever

2. Take off the shoulder harness to release the tool and the unit.



► 1. Shoulder harness

MAINTENANCE

CAUTION: Always be sure that the unit is switched off and the battery cartridge is removed before attempting to perform inspection or maintenance.

NOTICE: Never use gasoline, benzine, thinner, alcohol or the like. Discoloration, deformation or cracks may result.

To maintain product SAFETY and RELIABILITY, repairs, any other maintenance or adjustment should be performed by Makita Authorized or Factory Service Centers, always using Makita replacement parts.

TROUBLESHOOTING

Before asking for repairs, conduct your own inspection first. If you find a problem that is not explained in the manual, do not attempt to dismantle the tool, machine, or unit. Instead, ask Makita Authorized Service Centers, always using Makita replacement parts for repairs.

State of abnormality	Main power lamp	Cause	Remedy	
The tool or machine does not start.	The lamp lights up in green.	The adapters are not installed to the tool or machine.	Install the adapters to the tool or machine. Check that the adapters are installed securely.	
		The tool or machine, or the cords of the adapters are overheated.	Cool down the tool or machine, and the unit.	
		The tool or machine, or the unit is broken.	Ask Makita Authorized Service Centers for repair.	
	The lamp blinks in green.		The plug of the adapter or power tool/machine and the socket of the battery box are not connected.	Connect the plug and the socket. Check that the plug and socket are connected securely.
			The remaining battery capacity is not enough.	Charge the batteries, or replace the batteries with charged ones.
			Two batteries are not installed to the unit when using the unit with the battery-powered tool or machine with higher voltage than 18V. The remaining battery capacity of two batteries is not enough.	Install at least one battery to battery port 1 or 2, and at least one battery to battery port 3 or 4. Charge the batteries, or replace the batteries with charged ones.
			The unit needs to switch the battery.	Switch off the tool or machine, and then back on. Press the power button of the unit.
			The cord of the unit is overheated.	Cool down the unit.
	The lamp blinks in red and green alternately.		The unit has detected an abnormality.	Turn off the unit, and then back on.
			The tool or machine, or the unit is broken.	Ask Makita Authorized Service Centers for repair.
	The lamp does not light up.		The unit is not turned on.	Turn on the unit.
			The batteries are not installed to the unit.	Install the batteries to the unit.
The remaining battery capacity is not enough.			Charge the batteries, or replace the batteries with charged ones.	
The unit is broken.			Ask Makita Authorized Service Centers for repair.	

OPTIONAL ACCESSORIES

⚠ CAUTION: These accessories or attachments are recommended for use with your Makita tool specified in this manual. The use of any other accessories or attachments might present a risk of injury to persons. Only use accessory or attachment for its stated purpose.

If you need any assistance for more details regarding these accessories, ask your local Makita Service Center.

- Makita genuine battery and charger
- Adapters for 36 V (18 V x 2)
- Adapter for 18 V

NOTE: Some items in the list may be included in the tool package as standard accessories. They may differ from country to country.

SPÉCIFICATIONS

Utilisation prévue

Le support d'alimentation portable permet de séparer les batteries et l'outil ou la machine, le rendant ainsi adéquat pour un travail de longue durée en permutant entre les batteries installées.

Cet appareil peut être utilisé avec les outils ou machines qui suivent.

- Outil ou machine à batterie 18 V
- Outil ou machine à batterie 36 V (18 V x 2)
- Outil ou machine à batterie (connexion directe à un support d'alimentation portable)

À propos de ce manuel d'instructions

Le terme « appareil » utilisé dans ce manuel d'instructions fait référence au support d'alimentation portable.

Catégorie d'outils ou de machines compatibles

- Tronçonneuse sans fil, Scie à long manche sans fil, Souffleur sans fil, Coupe herbe sans fil, Moteur multi-fonctions sans fil, Taille-haie sans fil, Taille-herbe sans fil, Taille haie sur perche sans-fil, Meuleuse d'angle sans fil, Perforateur sans fil*
* Sauf pour DHR280 / DHR281 / DHR282 / DHR283 / XRH08 / XRH10 / XRH11

La catégorie d'outils ou de machines compatibles est indiquée sous réserve de modification sans préavis. Reportez-vous au plus récent manuel d'instructions pour plus d'informations sur la catégorie d'outils ou de machines compatibles.

⚠ MISE EN GARDE : N'utilisez jamais cet appareil avec des outils ou des machines de la catégorie ci-dessous. Utiliser cet appareil avec des outils ou machines non compatibles peut entraîner une blessure ou un dysfonctionnement.

- Pulvérisateur de jardin sans-fil, Sécateur à batterie, Brouette à batterie, Vélo à assistance électrique, Aspirateur dorsal sans fil, Aspirateur robot, Blouson ventilé sans fil, Veste chauffante

Batteries et chargeurs applicables

Batterie	BL1815N / BL1820B / BL1830 / BL1830B / BL1840B / BL1850B / BL1860B
Chargeur	DC18RC / DC18RD / DC18RE / DC18SD / DC18SE / DC18SF / DC18SH

- Suivant la région où vous habitez, il se peut que certaines des batteries et certains des chargeurs énumérés ci-dessus ne soient pas disponibles.

⚠ MISE EN GARDE : Utilisez exclusivement les batteries et chargeurs énumérés ci-dessus. L'utilisation de toute autre batterie ou tout autre chargeur peut entraîner une blessure et/ou un incendie.

CONSIGNES DE SÉCURITÉ

Consignes de sécurité pour support d'alimentation portable

1. **Veillez à lire le manuel d'instructions de l'outil ou de la machine avant l'utilisation.**
2. **Ne prenez pas ou ne transportez pas cet appareil en le tenant uniquement par le cordon. Ne tirez pas sur le cordon pendant que vous portez ou utilisez cet appareil.**
3. **Avant de porter cet appareil, retirez les adaptateurs de l'outil ou de la machine.**
4. **Lorsque vous quittez l'outil ou la machine, veillez à retirer les adaptateurs de l'outil ou de la machine, ou à retirer l'appareil de votre corps.**
5. **Prenez garde de trébucher sur le cordon pendant l'utilisation.**
6. **N'utilisez pas cet appareil sur une surface instable ou dans des endroits élevés instables.**
7. **N'utilisez pas plusieurs appareils en les connectant les uns aux autres.**
8. **Pendant l'utilisation, gardez le cordon à l'écart des obstacles. Le cordon coincé par des obstacles peut entraîner de graves blessures.**
9. **N'insérez pas les adaptateurs dans le chargeur.**
10. **N'installez pas les adaptateurs sur les ports de batterie de cet appareil.**
11. **Cet appareil est exclusivement conçu pour être utilisé avec des batteries de 18 V. N'utilisez pas d'autres batteries que les batteries 18 V.**
12. **Inspectez l'appareil, les cordons et le harnais avant l'utilisation. S'ils sont endommagés, demandez à votre centre de service après-vente Makita agréé de les réparer.**
13. **Lorsque vous fixez le cordon au support de cordon, veillez à le fixer lentement et solidement.**
14. **Assurez-vous toujours que l'outil ou la machine est éteint et que les adaptateurs sont retirés avant de procéder à l'inspection ou à l'entretien de l'outil ou de la machine.**
15. **Lorsque vous utilisez cet appareil avec un outil muni d'une lame, veillez à garder le cordon à l'écart de la lame.**
16. **N'utilisez pas cet appareil lorsque vous utilisez un harnais de sécurité.**
17. **N'utilisez pas cet appareil lorsque vous grimpez dans un arbre.**
18. **N'utilisez pas cet appareil lorsque vous portez un blouson ventilé sans fil ou une veste chauffante.**
19. **N'exposez pas cet appareil à des étincelles.**
20. **Lorsque vous utilisez cet appareil sans le porter, veillez à le déposer à l'horizontale.**
21. **Ne laissez pas l'eau pénétrer dans le couvercle.**

22. Évitez de démonter, réparer ou modifier l'appareil.
23. Prenez garde d'enchevêtrer le harnais ou la ceinture avec l'outil ou la machine.
24. Lorsque vous utilisez l'appareil, prenez garde de couper les cordons avec l'outil ou la machine.

Symboles

Les symboles utilisés pour l'outil sont indiqués ci-dessous.

V	volts
— — —	courant continu

Consignes de sécurité importantes pour la batterie

1. Avant d'utiliser la batterie, lisez toutes les instructions et les mises en garde apposées sur (1) le chargeur de batterie, (2) la batterie et (3) le produit utilisant la batterie.
2. Ne démontez pas et ne modifiez pas la batterie. Cela peut entraîner un incendie, une chaleur excessive ou une explosion.
3. Cessez immédiatement l'utilisation si le temps de fonctionnement devient excessivement court. Il y a risque de surchauffe, de brûlures, voire d'explosion.
4. Si l'électrolyte pénètre dans vos yeux, rincez-les à l'eau claire et consultez immédiatement un médecin. Il y a risque de perte de la vue.
5. Ne court-circuitez pas la batterie :
 - (1) Ne touchez les bornes avec aucun matériau conducteur.
 - (2) Évitez de ranger la batterie dans un conteneur avec d'autres objets métalliques tels que clous, pièces de monnaie, etc.
 - (3) Évitez d'exposer la batterie à l'eau ou à la pluie.

Un court-circuit de la batterie pourrait provoquer un fort courant, une surchauffe, parfois des brûlures et même une panne.

6. Ne rangez pas et n'utilisez pas l'outil ou la batterie dans des emplacements où la température peut atteindre ou dépasser 50 °C (122 °F).
7. Ne jetez pas la batterie au feu même si elle est sérieusement endommagée ou complètement épuisée. La batterie peut exploser au contact du feu.
8. Évitez de clouer, de couper, d'écraser, de lancer ou d'échapper la batterie, ou de heurter un objet dur contre la batterie. Cela peut entraîner un incendie, une chaleur excessive ou une explosion.
9. N'utilisez pas une batterie si elle est endommagée.

10. Les batteries lithium-ion fournies sont soumises aux exigences de la législation sur les marchandises dangereuses. Des exigences particulières sur l'emballage et l'étiquetage doivent être respectées lors du transport commercial par des tiers, des transitaires, etc. Pour préparer la marchandise à expédier, consultez un expert en matériaux dangereux si nécessaire. Respectez aussi les éventuelles réglementations nationales plus détaillées. Recouvrez de ruban isolant les contacts exposés, et emballez la batterie de sorte qu'elle ne puisse pas se déplacer à l'intérieur de l'emballage.
11. Lors de l'élimination de la batterie, retirez-la de l'outil et éliminez-la dans un endroit sûr. Respectez la réglementation locale concernant l'élimination de la batterie.
12. N'utilisez les batteries qu'avec les produits spécifiés par Makita. Installer les batteries sur des produits non conformes peut entraîner un incendie, une chaleur excessive, une explosion ou une fuite d'électrolyte.
13. Si l'outil reste inutilisé pour une période prolongée, la batterie doit en être retirée.
14. Pendant et après l'utilisation, la batterie peut accumuler de la chaleur, ce qui peut causer des brûlures ou des brûlures à basse température. Faites attention lors de la manipulation des batteries chaudes.
15. Ne touchez pas la borne de l'outil immédiatement après l'utilisation, car elle peut être assez chaude pour causer des brûlures.
16. Ne laissez pas les copeaux, les poussières ou la terre se coincer dans les bornes, les trous et les rainures de la batterie. Cela peut entraîner un fonctionnement médiocre ou une panne de l'outil ou de la batterie.
17. À moins que l'outil ne soit compatible avec l'utilisation à proximité des lignes électriques haute tension, n'utilisez pas la batterie à proximité d'une ligne électrique haute tension. Cela peut entraîner un dysfonctionnement ou une panne de l'outil ou de la batterie.
18. Gardez la batterie à l'écart des enfants.

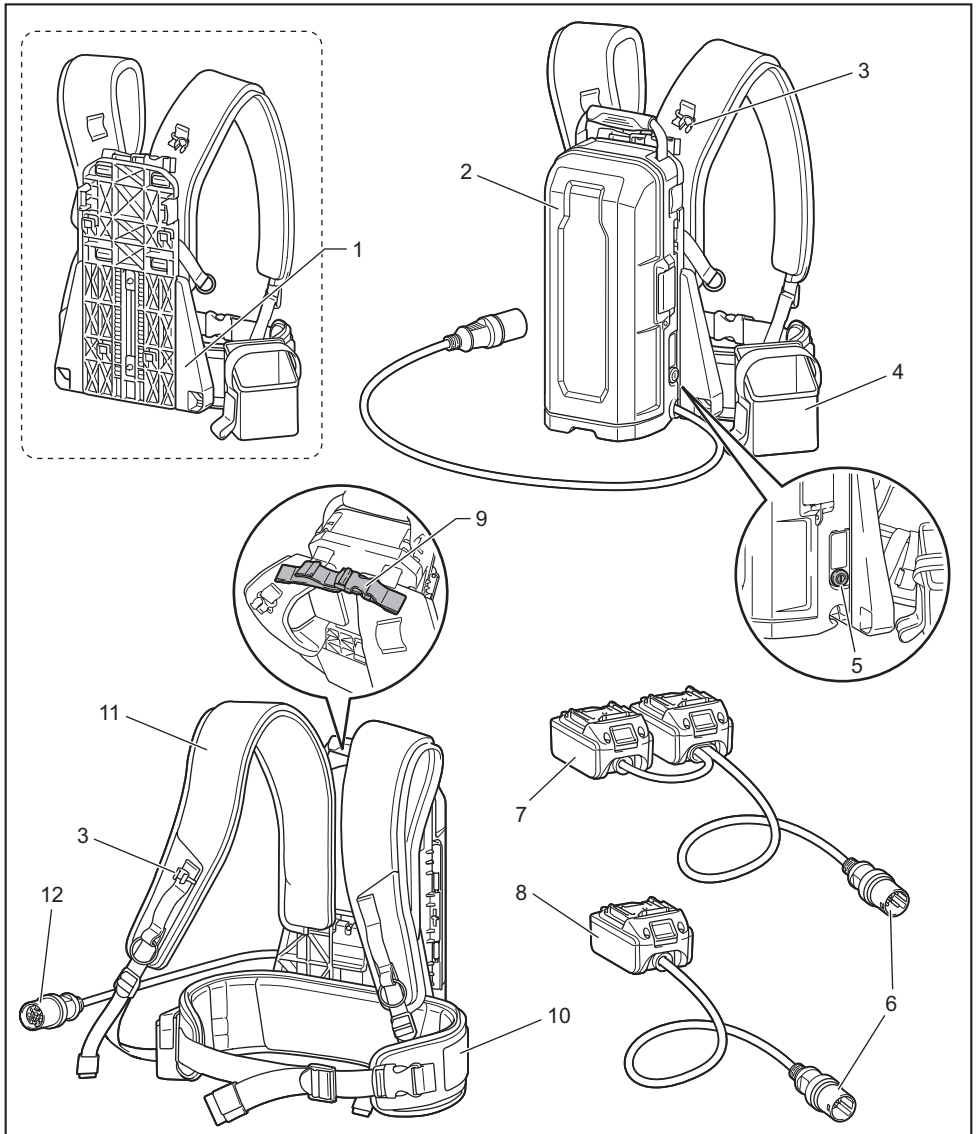
CONSERVEZ CES INSTRUCTIONS.

⚠ ATTENTION : Utilisez exclusivement les batteries fabriquées par Makita. Les batteries autres que celles fabriquées par Makita ou les batteries modifiées peuvent exploser et causer un incendie, une blessure ou des dommages. Cela annule aussi la garantie Makita de l'outil et du chargeur Makita.

Conseils pour maintenir la durée de service maximale de la batterie

1. Rechargez la batterie avant qu'elle ne soit complètement déchargée. Arrêtez toujours l'outil et rechargez la batterie quand vous remarquez que la puissance de l'outil diminue.
2. Ne rechargez jamais une batterie complètement chargée. La surcharge réduit la durée de service de la batterie.
3. Chargez la batterie à une température ambiante comprise entre 10 °C et 40 °C (50 °F et 104 °F). Si la batterie est chaude, laissez-la refroidir avant de la charger.
4. Lorsque vous n'utilisez pas la batterie, retirez-la de l'outil ou du chargeur.
5. Chargez la batterie si elle est restée inutilisée pendant une période prolongée (plus de six mois).

DESCRIPTION DES PIÈCES



1	Plaque de base	2	Boîtier de batterie	3	Support de cordon	4	Pochette pour adaptateur
5	Bouton d'alimentation	6	Fiche	7	Adaptateurs pour 36 V (18 V x 2) (accessoire en option)	8	Adaptateur pour 18 V (accessoire en option)
9	Courroie de réglage de la largeur	10	Ceinture de taille	11	Sangle d'épaule	12	Prise

DESCRIPTION DU FONCTIONNEMENT

⚠ ATTENTION : Assurez-vous toujours que l'appareil est éteint et que sa batterie est retirée avant de l'ajuster ou de vérifier son fonctionnement.

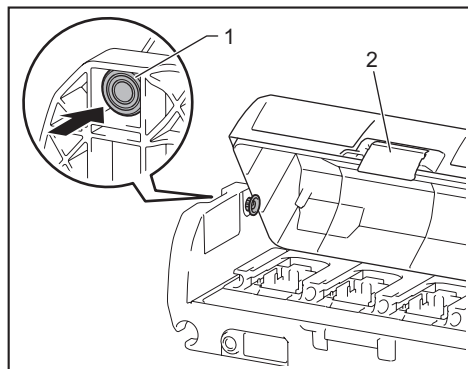
Installation ou retrait de la batterie

⚠ ATTENTION : Éteignez toujours l'appareil avant d'installer ou de retirer la batterie.

⚠ ATTENTION : Tenez fermement l'appareil et la batterie lors de l'installation ou du retrait de cette dernière. Sinon, l'appareil et la batterie pourraient vous glisser des mains, ce qui risque d'endommager l'appareil et la batterie, ou d'entraîner des blessures.

⚠ ATTENTION : Lors de la pose ou du retrait de la batterie, placez l'appareil sur une surface plane et stable. Autrement, la batterie risque de tomber accidentellement et d'entraîner une blessure.

1. Tirez le levier vers le haut et ouvrez le couvercle du boîtier de batterie.
2. Appuyez sur le bouton de sécurité, puis verrouillez le couvercle avec le bouton de sécurité.



► 1. Bouton de sécurité 2. Levier

⚠ ATTENTION : Assurez-vous que le couvercle est verrouillé solidement par le bouton de sécurité. Autrement, le couvercle risque de se fermer accidentellement et d'entraîner une blessure.

3. Installez les batteries.
4. Soulevez le couvercle pour libérer le bouton de sécurité, puis fermez le couvercle et verrouillez-le avec le levier.

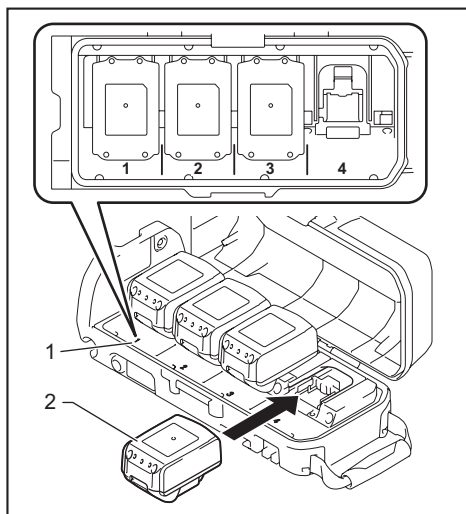
⚠ ATTENTION : Assurez-vous que le couvercle est fermé solidement et verrouillé. Sinon, de l'eau ou de la pluie pourrait pénétrer à l'intérieur du boîtier de batterie et provoquer une décharge électrique ou un dysfonctionnement.

AVIS : Lors de l'utilisation de cet appareil avec un outil ou une machine à batterie 36 V (18 V x 2), installez au moins une batterie sur le port de batterie 1 ou 2, et au moins une batterie sur le port de batterie 3 ou 4.

NOTE : Cet appareil permute automatiquement entre les batteries à utiliser parmi les batteries installées. L'appareil sélectionne la batterie appropriée chaque fois que l'on allume l'outil ou la machine.

NOTE : Lors de l'utilisation de cet appareil avec un outil ou une machine à batterie 18 V, installez au moins une batterie sur un des ports de batterie.

Pour installer la batterie, alignez sa languette sur la rainure pratiquée dans le boîtier, et glissez la batterie en place. Insérez-la à fond jusqu'à ce que vous entendiez un léger dé clic. Si vous pouvez voir le voyant rouge sur le dessus du bouton, la batterie n'est pas complètement verrouillée.



► 1. Port de batterie 2. Batterie

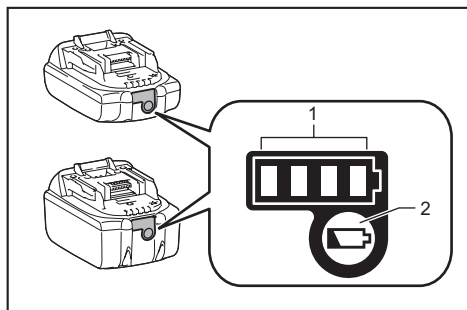
Pour retirer la batterie, faites-la glisser de l'appareil tout en faisant glisser le bouton qui se trouve à l'avant de la batterie.

⚠ ATTENTION : Installez toujours la batterie à fond, jusqu'à ce que l'indicateur rouge ne soit plus visible. Autrement, elle risque de tomber accidentellement de l'appareil, ce qui comporte un risque de blessure pour vous-même et pour les personnes présentes.

⚠ ATTENTION : Ne forcez pas sur la batterie pour l'installer. Si la batterie ne glisse pas facilement, c'est qu'elle n'est pas insérée correctement.

Affichage de la charge restante de la batterie

Uniquement pour les batteries avec voyant



► 1. Témoins indicateurs 2. Bouton de vérification

Appuyez sur le bouton de vérification de la batterie pour afficher la charge restante de la batterie. Les témoins indicateurs s'allument pendant quelques secondes.

Témoins indicateurs			Charge restante
Allumé	Éteint	Clignotant	
■ ■ ■ ■	□ □ □ □		75 % à 100 %
■ ■ ■ □	□ □ □ □		50 % à 75 %
■ ■ □ □	□ □ □ □		25 % à 50 %
■ □ □ □	□ □ □ □		0 % à 25 %
■ □ □ □	□ □ □ □		Chargez la batterie.
■ ■ □ □	□ □ □ □		La batterie a peut-être mal fonctionné.
□ □ ■ ■	□ □ □ □	↑ ↓	

NOTE : Suivant les conditions d'utilisation et la température ambiante, il se peut que l'indication soit légèrement différente de la charge réelle.

Dispositif de protection de l'outil et de la batterie

L'outil est équipé d'un système de protection d'outil/batterie. Ce système coupe automatiquement l'alimentation du moteur pour augmenter la durée de vie de l'outil et de la batterie. L'outil s'arrête automatiquement pendant l'utilisation lorsque l'outil ou la batterie est dans l'une des situations suivantes :

Protection contre la surcharge

Lorsque l'outil ou la batterie est utilisé d'une manière entraînant une consommation anormale de courant, l'outil s'arrête automatiquement sans aucune indication. Le cas échéant, éteignez l'outil et cessez l'application qui a causé sa surcharge. Rallumez ensuite l'outil pour redémarrer.

Protection contre la surchauffe

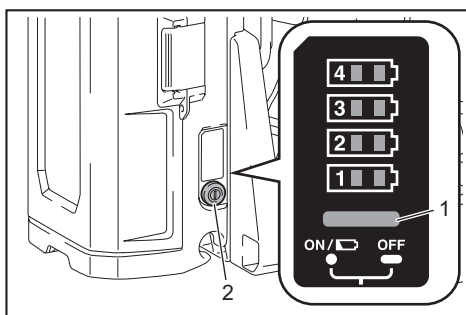
Lorsque l'outil ou la batterie est surchauffé, l'outil s'arrête automatiquement. Le cas échéant, laissez refroidir l'outil et la batterie avant de rallumer l'outil.

Protection contre la décharge excessive

Lorsque la charge de la batterie est insuffisante, l'outil s'arrête automatiquement. Dans ce cas, retirez la batterie de l'outil et chargez la batterie.

Bouton d'alimentation et voyant de batterie

ATTENTION : Assurez-vous que l'outil ou la machine est éteint avant d'allumer l'appareil. Autrement, l'outil ou la machine risque de démarrer soudainement et d'entraîner une blessure.



► 1. Témoin d'alimentation secteur 2. Bouton d'alimentation







Pour mettre le contact, appuyez sur le bouton d'alimentation. Le témoin d'alimentation secteur s'allume en vert. Pour couper le contact, appuyez sur le bouton d'alimentation pendant quelques secondes.

NOTE : Si l'appareil et l'outil ou la machine connecté sont laissés sans surveillance pendant 8 heures, l'appareil s'éteint automatiquement.

Si le témoin d'alimentation secteur clignote en vert, cela signifie que l'adaptateur n'est pas connecté à l'appareil ou que les batteries sont épuisées. Le cas échéant, connectez l'adaptateur à l'appareil ou chargez les batteries. Si le témoin continue de clignoter en vert, consultez la section de dépannage.

Si le témoin d'alimentation secteur clignote alternativement en rouge et en vert, éteignez l'appareil puis rallumez-le. Si le témoin d'alimentation secteur continue de clignoter alternativement en rouge et en vert une fois l'appareil allumé, demandez à votre Centre de service après-vente Makita agréé de le réparer.

Appuyez sur le bouton d'alimentation pour afficher la charge restante de la batterie. La lampe témoin correspondant à chaque port de batterie s'allume pendant environ 5 secondes.

Témoins indicateurs			Charge restante
Allumé	Éteint	Clignotant	
			50 % à 100 %
			0 % à 50 %
			Chargez la batterie.

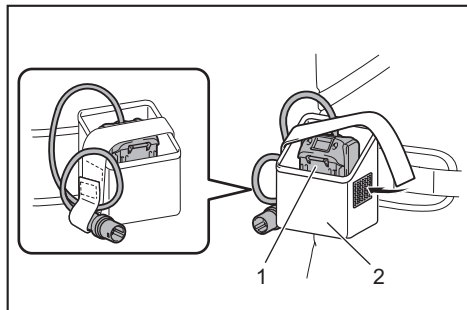
NOTE : Les lampes témoin de la capacité restante de la batterie ne servent qu'à titre indicatif. La capacité réelle de la batterie peut varier en fonction des conditions d'utilisation.

NOTE : Si l'outil ou la machine est équipé de lampes témoin de capacité restante de la batterie, ne vous référez pas aux lampes témoin de l'outil ou de la machine mais à celles de cet appareil.

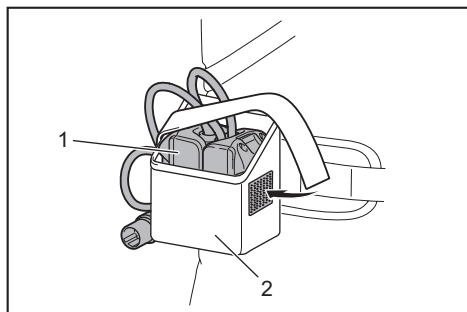
Utilisation de la pochette pour adaptateur

ATTENTION : N'utilisez pas cet appareil avec le cordon fixé à l'aide de la fermeture velcro de la pochette pour adaptateur.

Vous pouvez mettre les adaptateurs dans la pochette pour adaptateur tel qu'indiqué sur la figure.



► 1. Adaptateur 2. Pochette pour adaptateur



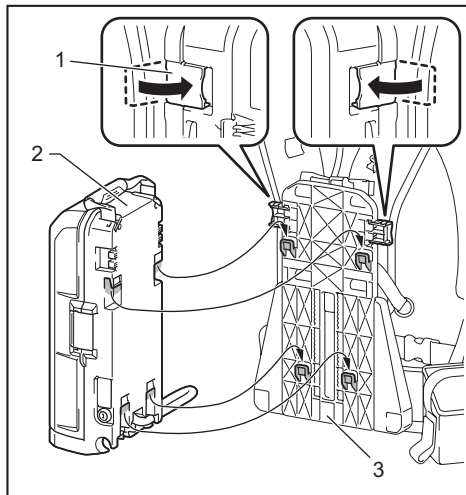
► 1. Adaptateur 2. Pochette pour adaptateur

ASSEMBLAGE

ATTENTION : Assurez-vous toujours que l'appareil est éteint et que sa batterie est retirée avant d'effectuer tout travail sur l'appareil.

Assemblage de l'appareil

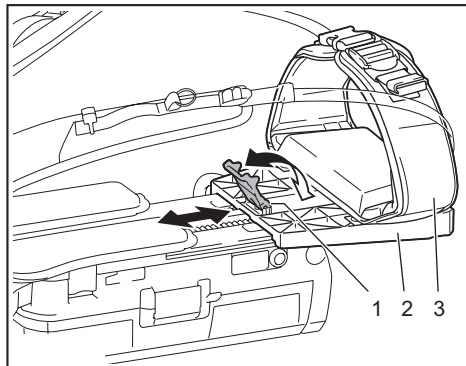
1. Fixez le boîtier de batterie à la plaque de base tel qu'indiqué sur la figure. Veillez à verrouiller les leviers des deux côtés de la plaque de base après avoir fixé le boîtier de batterie.



► 1. Levier 2. Boîtier de batterie 3. Plaque de base

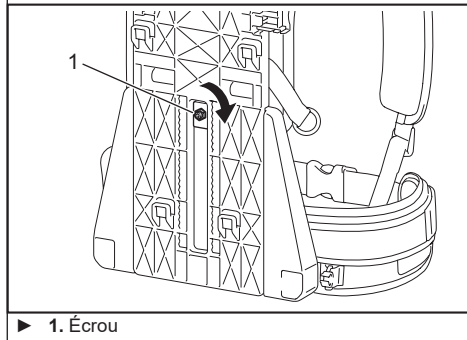
ATTENTION : Assurez-vous que le boîtier de batterie est solidement fixé à la plaque de base et verrouillé par les leviers. Autrement, le boîtier de batterie risque de tomber pendant que vous portez ou utilisez l'appareil et d'entraîner une blessure.

2. Ajustez la position de la ceinture de taille. Tirez le levier de réglage de la hauteur vers le haut, puis ajustez la position de la ceinture de taille en faisant glisser la plaque de base, puis ramenez le levier.



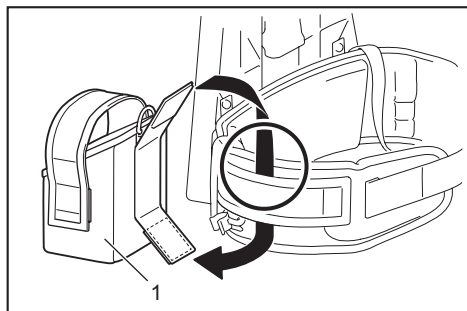
► 1. Levier de réglage de la hauteur 2. Plaque de base 3. Ceinture de taille

AVIS : Si le levier de réglage de la hauteur est lâche, serrez l'écrou du levier de réglage de la hauteur. Ne serrez pas l'écrou excessivement. Autrement, le levier de réglage de la hauteur ne se déplacera pas.



► 1. Écrou

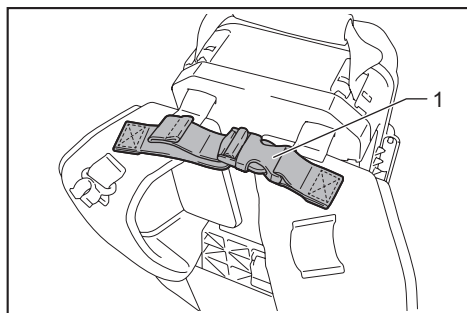
3. Fixez la pochette pour adaptateur à la ceinture de taille avec la fermeture velcro tel qu'indiqué sur la figure.



► 1. Pochette pour adaptateur

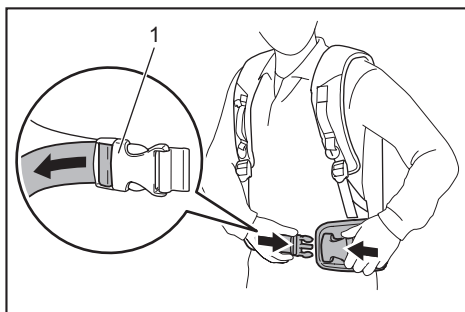
NOTE : La pochette pour adaptateur peut être fixée du côté droit ou gauche de la ceinture de taille.

4. Ajustez la largeur de la sangle d'épaule à l'aide de la courroie de réglage de la largeur.



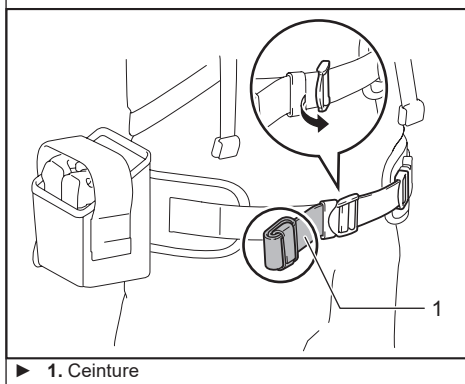
► 1. Courroie de réglage de la largeur

5. Portez l'appareil, verrouillez la boucle de la ceinture de taille, puis ajustez la longueur de la ceinture de taille.



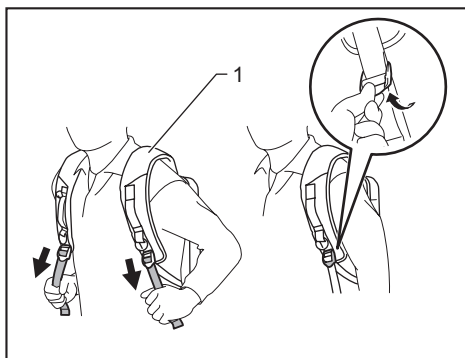
► 1. Boucle

NOTE : Vous pouvez plier et fixer la ceinture à l'aide de la fermeture velcro tel qu'indiqué sur la figure.



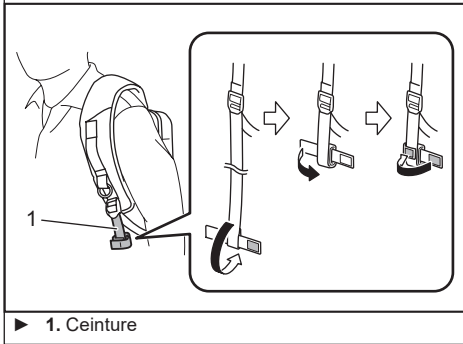
► 1. Ceinture

6. Ajustez la longueur de la sangle d'épaule.



► 1. Sangle d'épaule

NOTE : Vous pouvez plier et fixer la ceinture à l'aide de la fermeture velcro tel qu'indiqué sur la figure.



► 1. Ceinture

UTILISATION

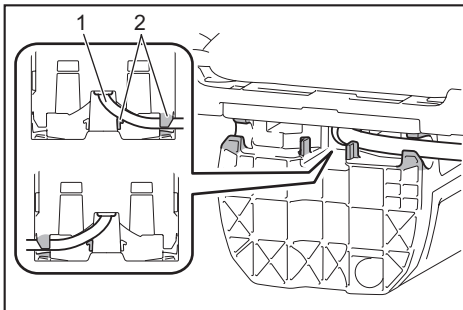
ATTENTION : Lorsque vous portez l'appareil, veillez à mettre la sangle d'épaule sur vos deux épaules. Autrement, l'appareil risque de tomber pendant que vous portez ou utilisez l'appareil et d'entraîner une blessure.

ATTENTION : Lorsque vous portez l'appareil, veillez à le porter sur votre dos. Autrement, l'appareil risque de tomber pendant l'utilisation et d'entraîner une blessure.

ATTENTION : Éteignez toujours l'outil ou la machine avant d'allumer l'appareil ou de connecter la fiche de l'adaptateur, de l'outil électrique ou de la machine dans la prise du boîtier de batterie. Autrement, l'outil ou la machine risque de démarrer soudainement et d'entraîner une blessure.

Connexion de l'appareil à l'outil ou à la machine

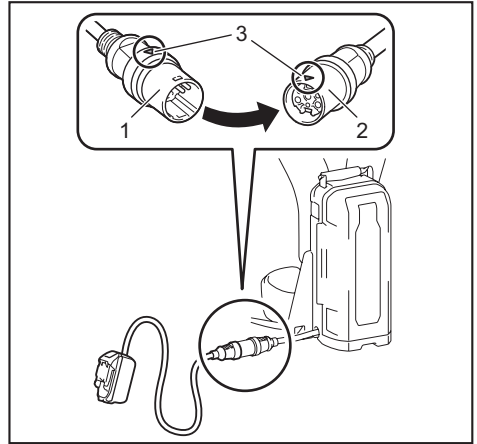
1. Sortez le cordon du côté gauche ou droit du boîtier de batterie. En sortant le cordon, veillez à le placer dans les supports tel qu'indiqué sur la figure.



► 1. Cordon 2. Support

2. Portez l'appareil.

3. Insérez la fiche de l'adaptateur, de l'outil électrique ou de la machine à fond dans la prise du boîtier de batterie, de sorte que la marque de flèche de la fiche soit alignée sur celle de la prise.

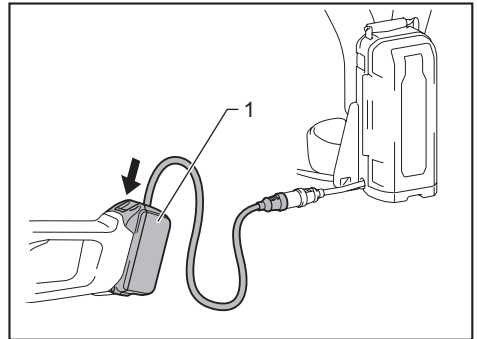


► 1. Fiche 2. Prise 3. Marque de flèche

AVIS : Pour déconnecter la fiche et la prise, ne saisissez pas les cordons mais plutôt la fiche et la prise. Autrement, les cordons risquent d'être endommagés et d'entraîner un dysfonctionnement de l'appareil.

NOTE : La fiche et le prise se déconnectent si une certaine charge est appliquée.

4. Installez les adaptateurs sur l'outil ou la machine de la même façon que la batterie.

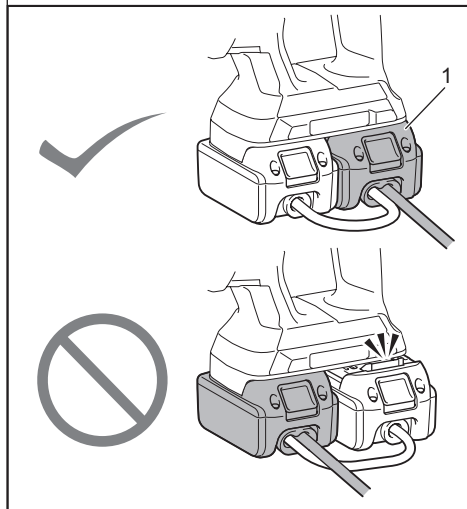


► 1. Adaptateur

AVIS : Pour un outil ou une machine à batterie 18 V, utilisez l'adaptateur pour 18 V. Pour un outil ou une machine à batterie 36 V (18 V x 2), utilisez les adaptateurs pour 36 V (18 V x 2).

Aucun adaptateur n'est requis pour un outil ou une machine à connexion directe.

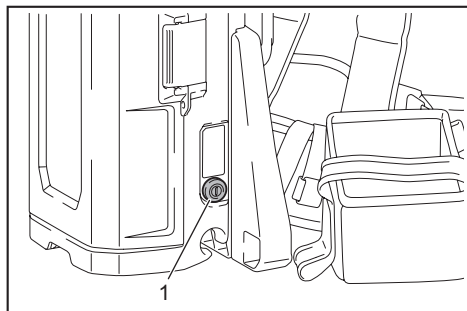
AVIS : Si vous ne pouvez pas installer les adaptateurs sur l'outil ou la machine lors de l'installation de deux adaptateurs, permutez-les et installez-les.



► 1. Adaptateur

NOTE : L'orientation du cordon de l'adaptateur peut être modifiée sur une plage d'environ 180 degrés.

5. Appuyez sur le bouton d'alimentation pour mettre le contact. Pour couper le contact, appuyez sur le bouton d'alimentation pendant quelques secondes.

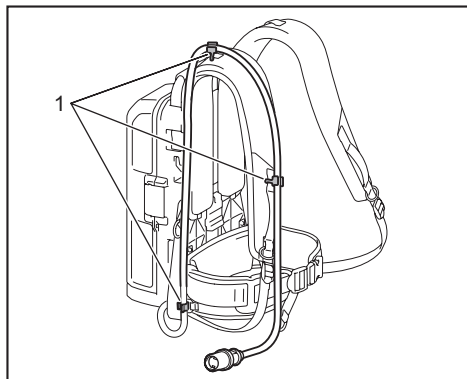


► 1. Bouton d'alimentation

Utilisation des supports de cordon

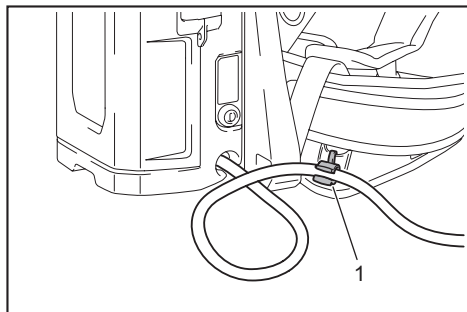
ATTENTION : Ne fixez que le cordon du boîtier de batterie aux supports de cordon. Ne fixez pas le cordon des adaptateurs aux supports de cordon. Fixer le cordon des adaptateurs peut ouvrir la porte aux accidents et entraîner une blessure.

Vous pouvez fixer le cordon du boîtier de batterie aux supports de cordon tel qu'indiqué sur la figure.



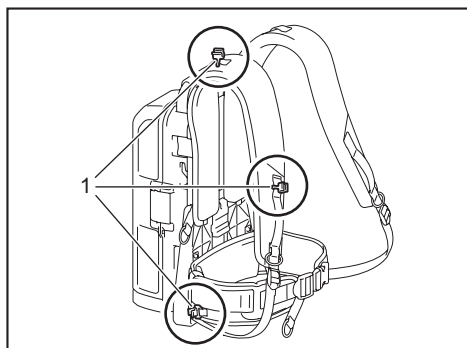
► 1. Support de cordon

Vous pouvez également fixer le cordon uniquement à l'aide du support de cordon de la ceinture de taille tel qu'indiqué sur la figure.



► 1. Support de cordon

Les supports de cordon peuvent être fixés du côté gauche ou droit de la sangle d'épaule et de la ceinture de taille.



► 1. Support de cordon

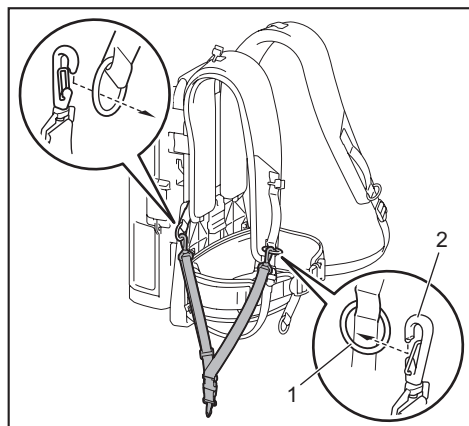
Utilisation de la bande de suspension

Accessoire en option

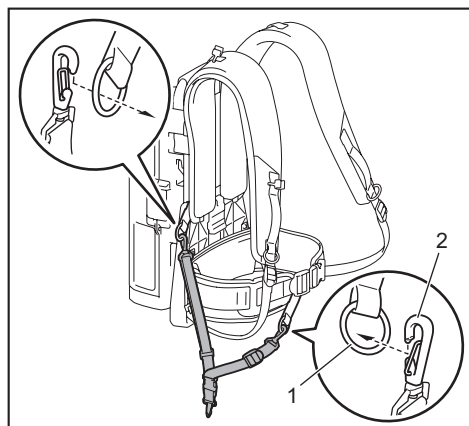
Vous pouvez utiliser la bande de suspension pour coupe herbe sans fil avec cet appareil.

Fixation de la bande de suspension

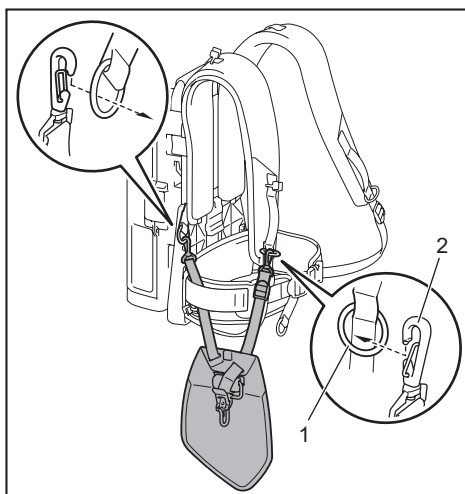
1. Fixez les crochets de la bande de suspension aux anneaux de la sangle d'épaule ou de la ceinture de taille tel qu'indiqué sur la figure. Sélectionnez le type de bande et la méthode de connexion qui conviennent à l'usage prévu.



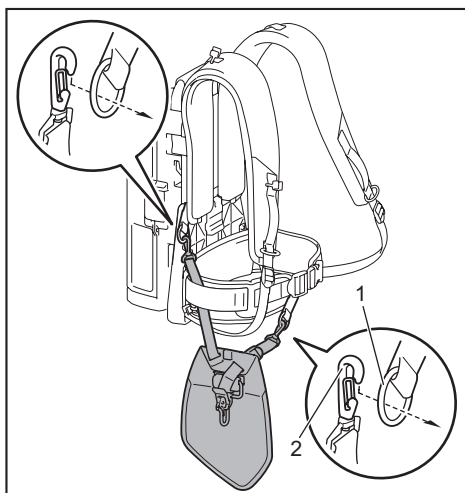
► 1. Anneau 2. Crochet



► 1. Anneau 2. Crochet

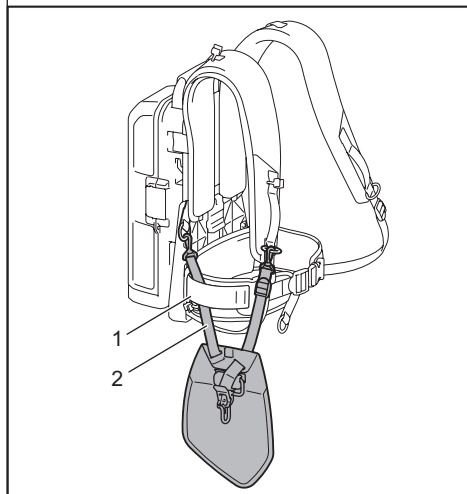


► 1. Anneau 2. Crochet



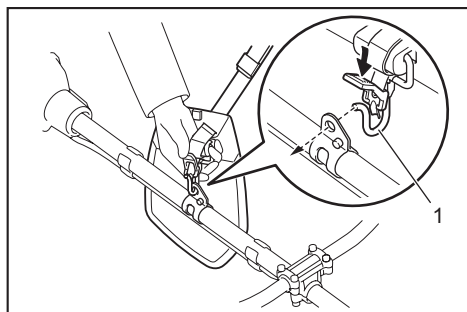
► 1. Anneau 2. Crochet

NOTE : Si l'outil est de type guidon de vélo, fixez la bande de sorte qu'elle passe à travers l'intérieur de la ceinture de taille tel qu'indiqué sur la figure.



► 1. Ceinture de taille 2. Bande

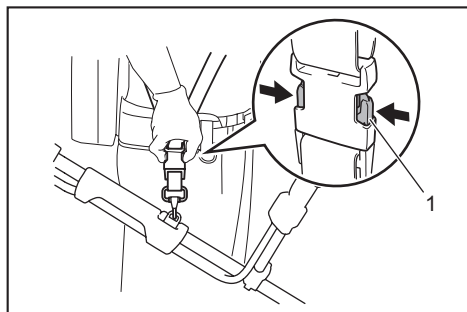
2. Fixez le crochet à l'outil.



► 1. Crochet

Retrait de l'outil

Enfoncez les leviers sur la boucle pour déverrouiller la boucle.

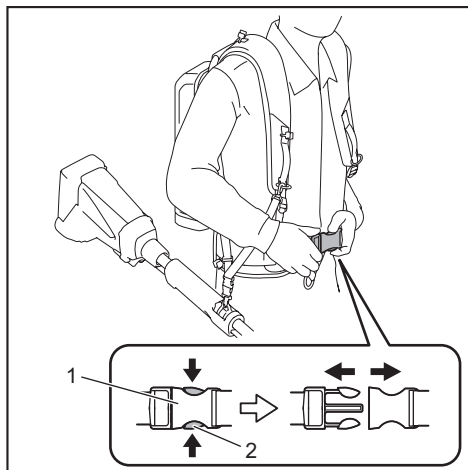


► 1. Levier

NOTE : Il se peut qu'il n'y ait pas de boucle, suivant le type de bande.

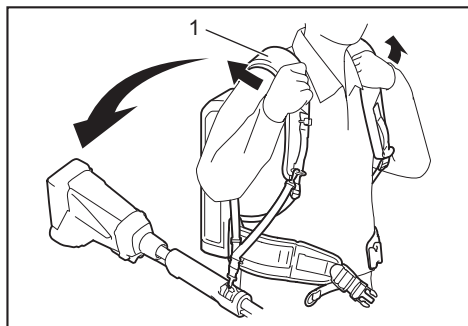
Retrait d'urgence

1. Enfoncez les leviers sur la boucle de la ceinture de taille pour déverrouiller la boucle.



► 1. Boucle 2. Levier

2. Enlevez la sangle d'épaule pour libérer l'outil et l'appareil.



► 1. Sangle d'épaule

ENTRETIEN

ATTENTION : Assurez-vous toujours que l'appareil est éteint et que la batterie est retirée avant de procéder à tout travail d'inspection ou d'entretien.

AVIS : N'utilisez jamais d'essence, de benzine, de solvant, d'alcool ou autres produits similaires. Une décoloration, une déformation ou la formation de fissures peuvent en découler.

Pour maintenir la SÉCURITÉ et la FIABILITÉ du produit, les réparations et tout autre travail d'entretien ou de réglage doivent être effectués dans un centre de service après-vente autorisé ou une usine Makita, exclusivement avec des pièces de rechange Makita.

DÉPANNAGE

Avant de faire une demande de réparation, faites d'abord votre propre inspection. Si vous constatez un problème qui n'est pas expliqué dans le manuel, n'essayez pas de démonter l'outil, la machine ou l'appareil. Demandez plutôt à un centre de service après-vente Makita agréé de faire la réparation avec des pièces de rechange Makita.

État anormal	Témoin d'alimentation secteur	Cause	Solution
L'outil ou la machine ne démarre pas.	Le témoin s'allume en vert.	Les adaptateurs ne sont pas installés sur l'outil ou la machine.	Installez les adaptateurs sur l'outil ou la machine. Assurez-vous que les adaptateurs sont solidement installés.
		L'outil, la machine ou les cordons des adaptateurs surchauffent.	Laissez refroidir l'outil ou la machine, et l'appareil.
		L'outil, la machine ou l'appareil est cassé.	Demandez à votre centre de service après-vente Makita agréé de le réparer.
	Le témoin clignote en vert.	La fiche de l'adaptateur, de l'outil électrique ou de la machine et la prise du boîtier de batterie ne sont pas connectées.	Connectez la fiche et la prise. Assurez-vous que la fiche et la prise sont solidement connectées.
		La charge restante de la batterie est insuffisante.	Chargez les batteries ou remplacez-les par des batteries chargées.
		Il n'y a pas deux batteries installées sur l'appareil lors de l'utilisation de l'appareil avec un outil ou une machine à batterie d'une tension supérieure à 18 V. La charge restante des deux batteries est insuffisante.	Installez au moins une batterie sur le port de batterie 1 ou 2, et au moins une batterie sur le port de batterie 3 ou 4. Chargez les batteries ou remplacez-les par des batteries chargées.
		L'appareil doit permuter la batterie.	Éteignez puis rallumez l'outil ou la machine. Appuyez sur le bouton d'alimentation de l'appareil.
		Le cordon de l'appareil est surchauffé.	Laissez refroidir l'appareil.
	Le témoin clignote alternativement en rouge et en vert.	L'appareil a détecté une anomalie.	Éteignez puis rallumez l'appareil.
		L'outil, la machine ou l'appareil est cassé.	Demandez à votre centre de service après-vente Makita agréé de le réparer.
	Le témoin ne s'allume pas.	L'appareil n'est pas allumé.	Allumez l'appareil.
		Les batteries ne sont pas installées sur l'appareil.	Installez les batteries sur l'appareil.
La charge restante de la batterie est insuffisante.		Chargez les batteries ou remplacez-les par des batteries chargées.	
L'appareil est cassé.		Demandez à votre Centre de service après-vente Makita agréé de le réparer.	

ACCESSOIRES EN OPTION

⚠ ATTENTION : Ces accessoires ou pièces complémentaires sont recommandés pour l'utilisation avec l'outil Makita spécifié dans ce manuel.

L'utilisation de tout autre accessoire ou pièce complémentaire peut comporter un risque de blessure. N'utilisez les accessoires ou pièces complémentaires qu'aux fins auxquelles ils ont été conçus.

- Chargeur et batterie authentiques Makita
- Adaptateurs pour 36 V (18 V x 2)
- Adaptateur pour 18 V

NOTE : Certains éléments de la liste peuvent être inclus avec l'outil comme accessoires standards. Ils peuvent varier suivant les pays.

Si vous désirez obtenir plus de détails sur ces accessoires, veuillez contacter le centre de service après-vente Makita le plus près.

ESPECIFICACIONES

Uso pretendido

La unidad portátil de alimentación eléctrica permite que las baterías y la herramienta o máquina estén separadas, algo idóneo cuando se realiza un trabajo prolongado al cambiar las baterías instaladas.

Esta unidad se puede utilizar con las siguientes herramientas o máquinas.

- Herramienta o máquina inalámbrica de 18 V
- Herramienta o máquina inalámbrica de 36 V (18 V x 2)
- Herramienta o máquina inalámbrica (de conexión directa a una unidad portátil de alimentación eléctrica)

Acerca de este manual de instrucciones

El término "unidad" en este manual de instrucciones se refiere a la unidad portátil de alimentación eléctrica.

Categoría de herramientas o máquinas compatibles

- Electrosierra inalámbrica, Sierra de extensión inalámbrica, Sopladora inalámbrica, Cortador inalámbrico de pasto, Desbrozadora inalámbrica, Herramienta multifuncional inalámbrica, Cortasetos Inalámbrico, Tijeras inalámbricas para hierba, Cortasetos de extensión inalámbrico, Esmeriladora angular inalámbrica, Martillo rotativo inalámbrico*
* Excepto para los modelos DHR280 / DHR281 / DHR282 / DHR283 / XRH08 / XRH10 / XRH11

La categoría de herramientas o máquinas compatibles está sujeta a cambios sin previo aviso. Consulte el manual de instrucciones más reciente para obtener información sobre la categoría de herramientas o máquinas compatibles.

⚠ADVERTENCIA: Nunca utilice esta unidad con las herramientas o máquinas categorizadas a continuación. El uso de esta unidad con herramientas o máquinas no compatibles podría ocasionar lesiones personales o averías.

- Fumigador inalámbrico para jardín, Tijera de podar inalámbrica, Carretilla propulsada a batería, Bicicleta asistida por motor, Aspiradora de mochila a batería, Robot limpiador, Chamarra ventilada inalámbrica, Chamarra electro-térmica a batería

Cartucho de batería y cargador aplicables

Cartucho de batería	BL1815N / BL1820B / BL1830 / BL1830B / BL1840B / BL1850B / BL1860B
Cargador	DC18RC / DC18RD / DC18RE / DC18SD / DC18SE / DC18SF / DC18SH

- Algunos de los cartuchos de batería y cargadores enumerados arriba podrían no estar disponibles dependiendo de su área de residencia.

⚠ADVERTENCIA: Use únicamente los cartuchos de batería y los cargadores indicados arriba. El uso de cualquier otro cartucho de batería y cargador podría ocasionar una lesión y/o un incendio.

ADVERTENCIAS DE SEGURIDAD

Advertencias de seguridad para la unidad portátil de alimentación eléctrica

1. Asegúrese de consultar el manual de instrucciones de la herramienta o máquina antes de usarla.
2. No levante o transporte esta unidad sosteniéndola solamente por el cable. No jale del cable de la unidad mientras la traiga puesta o la esté utilizando.
3. Antes de colocarse la unidad, retire los adaptadores de la herramienta o máquina.
4. Cuando deje la herramienta o la máquina, asegúrese de retirar los adaptadores de la herramienta o la máquina, o retire la unidad de su cuerpo.
5. Tenga cuidado de no tropezarse con el cable durante la operación.
6. No utilice esta unidad sobre una superficie inestable o en lugares altos inestables.
7. No utilice varias unidades a la vez, como conectarlas en serie.
8. Durante la operación, mantenga el cable lejos de los obstáculos. Podrían ocurrir lesiones graves si el cable queda atrapado entre obstáculos.
9. No inserte los adaptadores en el cargador.
10. No instale los adaptadores en los puertos para batería de esta unidad.
11. Esta unidad está diseñada exclusivamente para su uso con baterías de 18 V. No utilice baterías que no sean de 18 V.
12. Inspeccione la unidad, los cables y el arnés antes de utilizarlos. Si están dañados, solicite la reparación a su Centro local de servicio autorizado de Makita.
13. Al acoplar el cable en el sujetador de cable, asegúrese de colocarlo lenta y firmemente.
14. Asegúrese siempre de que la herramienta o máquina estén apagadas y que los adaptadores hayan sido extraídos, antes de intentar realizar una inspección o mantenimiento en la herramienta o máquina.
15. Cuando utilice esta unidad con una herramienta equipada con una cuchilla, asegúrese de mantener el cable alejado de la cuchilla.
16. No utilice esta unidad mientras usa un arnés de seguridad.
17. No utilice esta unidad mientras sube por un árbol.

18. **No utilice esta unidad mientras trae puesta una chamarra ventilada inalámbrica o una chamarra electro-térmica a batería.**
19. **No exponga esta unidad a chispas.**
20. **Cuando utilice esta unidad sin traerla puesta, asegúrese de que esté apoyada en un lugar estable.**
21. **No permita el ingreso de agua por la cubierta.**
22. **No desarme, repare ni modifique la unidad.**
23. **Tenga cuidado de que el armés o la correa no se enreden con la herramienta o con la máquina.**
24. **Cuando utilice la unidad, tenga cuidado de no cortar los cables con la herramienta o con la máquina.**

Símbolos

A continuación se muestran los símbolos utilizados para la herramienta.

V	volts o voltios
— — —	corriente directa o continua

Instrucciones importantes de seguridad para el cartucho de batería

1. **Antes de utilizar el cartucho de batería, lea todas las instrucciones e indicaciones de precaución en el (1) el cargador de batería, (2) la batería, y (3) el producto con el que se utiliza la batería.**
2. **No desarme ni modifique el cartucho de batería.** Podría ocurrir un incendio, calor excesivo o una explosión.
3. **Si el tiempo de operación se ha acortado en exceso, deje de operar de inmediato.** Podría correrse el riesgo de sobrecalentamiento, posibles quemaduras e incluso explosión.
4. **En caso de que ingresen electrolitos en sus ojos, enjuáguelos bien con agua limpia y consulte de inmediato a un médico.** Esto podría ocasionar pérdida de visión.
5. **Evite cortocircuitar el cartucho de batería:**
 - (1) **No toque las terminales con ningún material conductor.**
 - (2) **Evite guardar el cartucho de batería en un cajón junto con otros objetos metálicos, tales como clavos, monedas, etc.**
 - (3) **No exponga el cartucho de batería al agua o la lluvia.**

Un cortocircuito en la batería puede causar un flujo grande de corriente, sobrecalentamiento, posibles quemaduras e incluso una descompostura.

6. **No guarde ni utilice la herramienta y el cartucho de batería en lugares donde la temperatura pueda alcanzar o exceder los 50 °C (122 °F).**
7. **Nunca incinere el cartucho de batería incluso en el caso de que esté dañado seriamente o ya no sirva en absoluto.** El cartucho de batería puede explotar si se tira al fuego.
8. **No clave, corte, aplaste, lance o deje caer el cartucho de batería, ni golpee un objeto sólido contra el cartucho de batería.** Dicha acción podría resultar en un incendio, calor excesivo o en una explosión.
9. **No use una batería dañada.**
10. **Las baterías de ión de litio están sujetas a los requisitos reglamentarios en materia de bienes peligrosos.**

Para el transporte comercial, por ej., mediante terceros o agentes de transporte, se deben tomar en cuenta los requisitos especiales relativos al empaque y el etiquetado. Para efectuar los preparativos del artículo que se va a enviar, se requiere consultar a un experto en materiales peligrosos. Si es posible, consulte además otras regulaciones nacionales más detalladas. Pegue o cubra con cinta adhesiva los contactos abiertos y empaque la batería de manera que ésta no pueda moverse dentro del paquete.

11. **Para deshacerse del cartucho de batería, sáquelo de la herramienta y deséchelo en un lugar seguro.** Siga las regulaciones locales relacionadas al desecho de las baterías.
12. **Utilice las baterías únicamente con los productos especificados por Makita.** Instalar las baterías en productos que no cumplan con los requisitos podría ocasionar un incendio, un calentamiento excesivo, una explosión o una fuga de electrolito.
13. **Si no se utiliza la herramienta por un período largo, debe extraerse la batería de la herramienta.**
14. **El cartucho de batería podría absorber calor durante y después de su uso, lo que ocasionaría quemaduras o quemaduras a baja temperatura.** Tenga cuidado con la manipulación de los cartuchos de batería que estén calientes.
15. **No toque el terminal de la herramienta inmediatamente después de su uso, ya que el mismo podría estar lo suficientemente caliente como para provocar quemaduras.**
16. **No permita que las rebabas, el polvo o la tierra queden atrapados en los terminales, orificios y ranuras del cartucho de batería.** Esto podría ocasionar un desempeño deficiente o descompostura de la herramienta o del cartucho de batería.
17. **No utilice el cartucho de batería cerca de cables eléctricos de alto voltaje, a menos que la herramienta sea compatible con el uso cercano a estos cables eléctricos de alto voltaje.** Esto podría ocasionar una avería o descompostura de la herramienta o del cartucho de batería.
18. **Mantenga la batería alejada de los niños.**

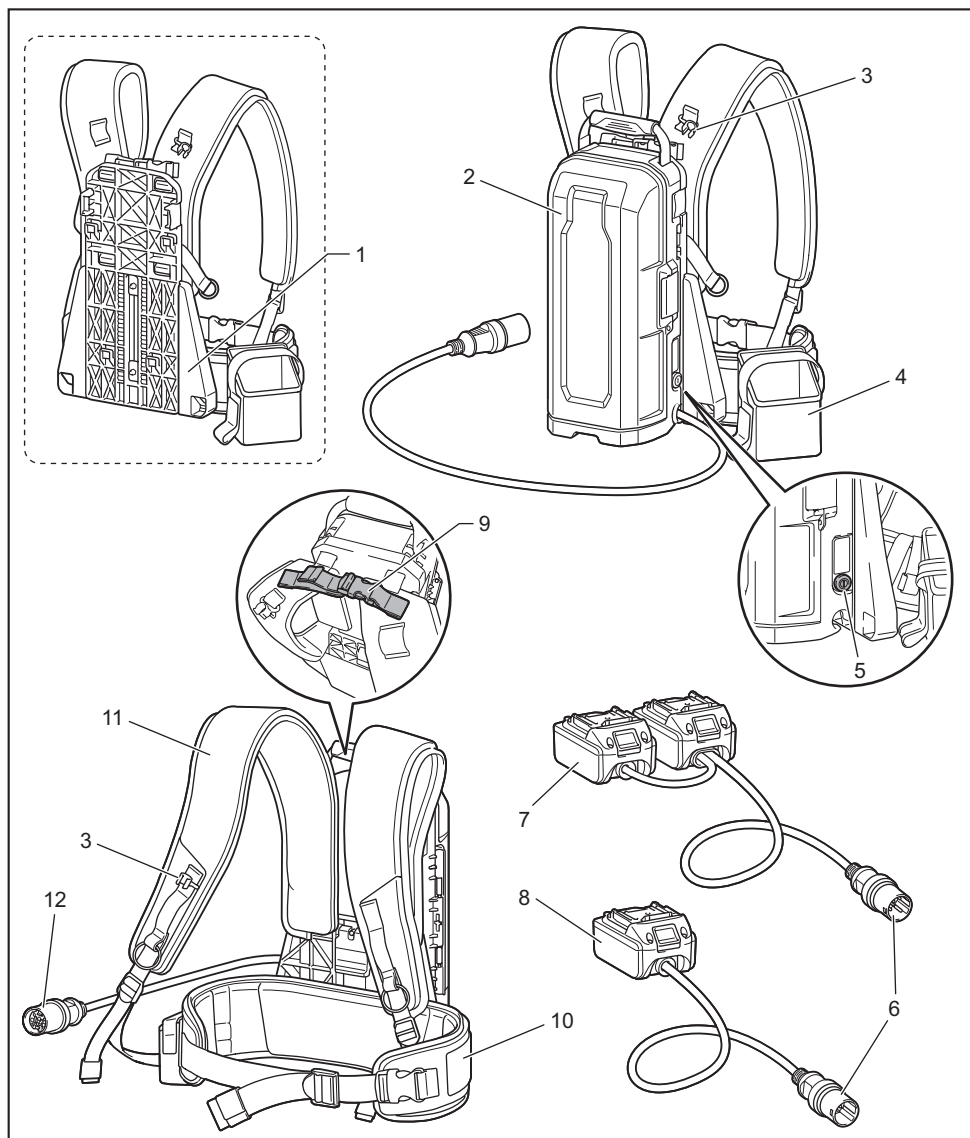
GUARDE ESTAS INSTRUCCIONES.

⚠PRECAUCIÓN: Utilice únicamente baterías originales de Makita. El uso de baterías no originales de Makita, o de baterías alteradas, puede ocasionar que las baterías exploten causando un incendio, lesiones personales y daños. Asimismo, esto invalidará la garantía de Makita para la herramienta y el cargador Makita.

Consejos para alargar al máximo la vida útil de la batería

1. **Cargue el cartucho de batería antes de que se descargue completamente.** Pare siempre la operación y cargue el cartucho de batería cuando note menos potencia en la herramienta.
2. **No cargue nunca un cartucho de batería que esté completamente cargado.** La sobrecarga acortará la vida de servicio de la batería.
3. **Cargue el cartucho de batería a una temperatura ambiente de 10 °C - 40 °C (50 °F - 104 °F).** Si un cartucho de batería está caliente, déjelo enfriar antes de cargarlo.
4. **Cuando no utilice el cartucho de batería, sáquelo de la herramienta o del cargador.**
5. **Cargue el cartucho de batería si no va a utilizarlo durante un período prolongado (más de seis meses).**

DESCRIPCIÓN DE LAS PIEZAS



1	Placa de base	2	Caja para baterías	3	Sujetador de cable	4	Bolsillo para adaptador
5	Botón de encendido/ apagado	6	Enchufe	7	Adaptadores para 36 V (18 V x 2) (accesorio opcional)	8	Adaptador para 18 V (accesorio opcional)
9	Correa para ajuste de anchura	10	Cinturón	11	Arnés para hombros	12	Enchufe hembra

DESCRIPCIÓN DEL FUNCIONAMIENTO

⚠PRECAUCIÓN: Asegúrese siempre de que la unidad esté apagada y que el cartucho de batería haya sido extraído antes de realizar cualquier ajuste o revisión del funcionamiento de la unidad.

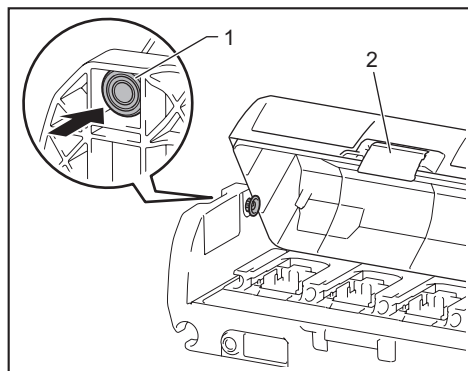
Instalación o extracción del cartucho de batería

⚠PRECAUCIÓN: Apague siempre la unidad antes de instalar o extraer el cartucho de batería.

⚠PRECAUCIÓN: Sujete la unidad y el cartucho de batería con firmeza al colocar o quitar el cartucho de batería. Si no se sujeta con firmeza la unidad y el cartucho de batería, puede ocasionar que se resbalen de sus manos resultando en daños a la unidad y al cartucho de batería, así como lesiones a la persona.

⚠PRECAUCIÓN: Cuando instale o extraiga el cartucho de batería, coloque la unidad sobre una superficie plana y estable. De lo contrario, el cartucho de batería podría caerse accidentalmente y ocasionar una lesión.

1. Levante la lengüeta y abra la cubierta de la caja para baterías.
2. Oprima el botón de bloqueo y luego asegure la cubierta con el botón de bloqueo.



► 1. Botón de bloqueo 2. Lengüeta

⚠PRECAUCIÓN: Asegúrese de que la cubierta esté asegurada con el botón de bloqueo. De lo contrario, la cubierta podría cerrarse accidentalmente y ocasionar una lesión.

3. Instale los cartuchos de batería.

4. Levante la cubierta para liberar el botón de bloqueo, luego cierre la cubierta y asegúrela con la lengüeta.

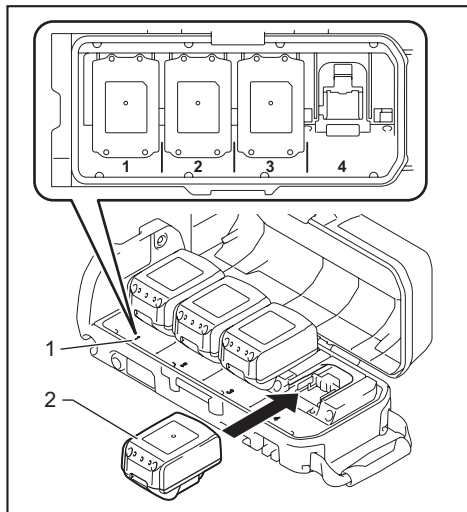
⚠PRECAUCIÓN: Asegúrese de que la cubierta esté asegurada y bloqueada firmemente. De lo contrario, podría entrar agua o lluvia dentro de la caja para baterías y provocar una descarga eléctrica o una avería.

AVISO: Cuando utilice esta unidad con una herramienta o máquina inalámbrica de 36 V (18 V x 2), instale al menos una batería en el puerto para batería 1 o 2, y al menos una batería en el puerto para batería 3 o 4.

NOTA: Esta unidad se cambia automáticamente entre las baterías instaladas que pueden ser utilizadas. La unidad selecciona la batería adecuada cada vez que se enciende la herramienta o máquina.

NOTA: Cuando utilice esta unidad con una herramienta o máquina inalámbrica de 18 V, instale al menos un cartucho de batería en uno de los puertos para batería.

Para colocar el cartucho de batería, alinee la lengüeta sobre el cartucho de batería con la ranura en la carcasa y deslice en su lugar. Inserte por completo hasta que se fije en su lugar con un pequeño clic. Si puede ver el indicador rojo del lado superior del botón, esto indica que no ha quedado fijo por completo.



► 1. Puerto para batería 2. Cartucho de batería

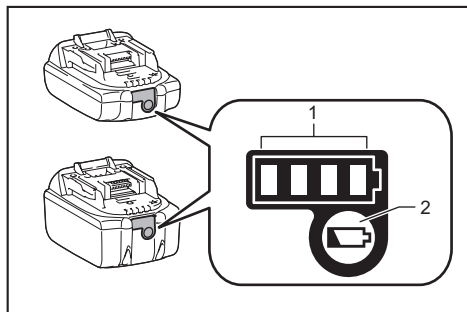
Para quitar el cartucho de batería, deslícelo de la unidad mientras desliza el botón sobre la parte delantera del cartucho.

⚠PRECAUCIÓN: Siempre introduzca completamente el cartucho de batería hasta que el indicador rojo no pueda verse. De no hacerlo, éste podría caer accidentalmente de la unidad, ocasionándole lesiones a usted o a alguien cerca de usted.

⚠PRECAUCIÓN: No instale el cartucho de batería a la fuerza. Si el cartucho no se desliza al interior fácilmente, se debe a que no está siendo insertado correctamente.

Indicación de la capacidad restante de la batería

Únicamente para cartuchos de batería con el indicador



► 1. Luces indicadoras 2. Botón de verificación

Oprija el botón de verificación en el cartucho de la batería para que indique la capacidad restante de la batería. Las luces indicadoras se iluminarán por algunos segundos.

Luces indicadoras			Capacidad restante
Iluminadas	Apagadas	Parpadeando	
■ ■ ■ ■			75% a 100%
■ ■ ■ □			50% a 75%
■ ■ □ □			25% a 50%
■ □ □ □			0% a 25%
▬ □ □ □			Cargar la batería.
■ ■ □ □			La batería pudo haber funcionado mal.
□ □ ■ ■	↑ ↓		

NOTA: Dependiendo de las condiciones de uso y la temperatura ambiente, la indicación podrá diferir ligeramente de la capacidad real.

Sistema de protección para la herramienta/batería

La herramienta está equipada con un sistema de protección de la herramienta/batería. Este sistema corta en forma automática el suministro de energía al motor para prolongar la vida útil de la herramienta y la batería. La herramienta se detendrá automáticamente durante la operación si la herramienta o la batería se someten a una de las siguientes condiciones:

Protección contra sobrecarga

Cuando la herramienta o la batería se estén utilizando de una manera que cause que consuman una cantidad de corriente anormalmente alta, la herramienta se detendrá automáticamente sin indicación alguna. En este caso, apague la herramienta y detenga la aplicación que causó que la herramienta se sobrecargara. Luego encienda la herramienta para reiniciarla.

Protección contra sobrecalentamiento

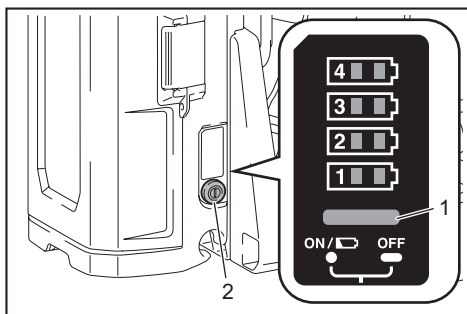
Cuando la herramienta o la batería se sobrecalienten, la herramienta se detendrá automáticamente. En este caso, permita que la herramienta y la batería se enfríen antes de volver a encender la herramienta.

Protección en caso de sobredescarga

Cuando la capacidad de la batería no es suficiente, la herramienta se detiene automáticamente. En este caso, retire la batería de la herramienta y cárguela.

Botón de encendido/apagado e indicador de batería

PRECAUCIÓN: Asegúrese de que la herramienta o máquina esté apagada, antes de encender la unidad. De lo contrario, la herramienta o máquina podría arrancar súbitamente y ocasionar una lesión.



► 1. Luz indicadora de alimentación principal 2. Botón de encendido/apagado

Para el encendido, oprija el botón de encendido/apagado. La luz indicadora de alimentación principal se iluminará en verde. Para apagar la unidad, oprija el botón de encendido/apagado durante unos segundos.

NOTA: Si la unidad y la herramienta o máquina conectada se dejan desatendidas durante 8 horas, la unidad se apaga automáticamente.

Si la luz indicadora de alimentación principal parpadea en color verde, el adaptador no está conectado a la unidad o las baterías están descargadas. En este caso, conecte el adaptador a la unidad o cargue las baterías. Si la luz sigue parpadeando en color verde, consulte la resolución de problemas. Si la luz indicadora de alimentación principal parpadea en color verde y rojo alternadamente, apague la alimentación y enciéndala. Si la luz indicadora de alimentación principal sigue parpadeando en color verde y rojo alternadamente después de encender la alimentación, solicite la reparación a su centro de servicio autorizado de Makita.

Oprima el botón de encendido/apagado para que se muestre la capacidad restante de la batería. La luz indicadora que corresponda a cada puerto para batería se iluminará por aproximadamente 5 segundos.

Luces indicadoras			Capacidad restante
Iluminadas	Apagadas	Parpadeando	
			50% a 100%
			0% a 50%
			Cargar la batería.

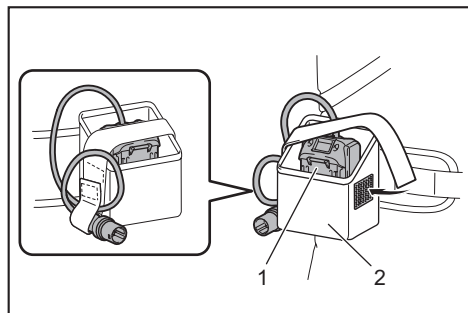
NOTA: Las luces indicadoras que muestran la capacidad restante de la batería solo son para referencia. La capacidad real de la batería puede variar, según las condiciones de uso.

NOTA: Si la herramienta o la máquina tienen luces indicadoras para la capacidad restante de la batería, no eche un vistazo a las luces indicadoras de la herramienta o la máquina, sino a las luces indicadoras de esta unidad.

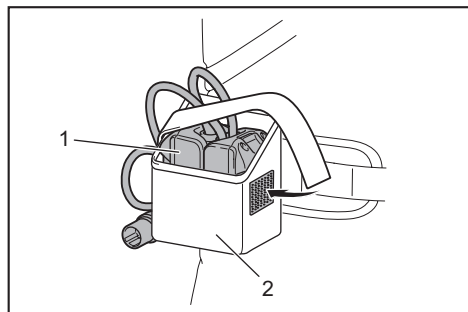
Uso del bolsillo para adaptador

PRECAUCIÓN: No utilice esta unidad con el cable fijo mediante el sujetador de enganche y cierre del bolsillo para adaptador.

Puede poner los adaptadores dentro del bolsillo para adaptador, tal como se muestra en la ilustración.



► 1. Adaptador 2. Bolsillo para adaptador



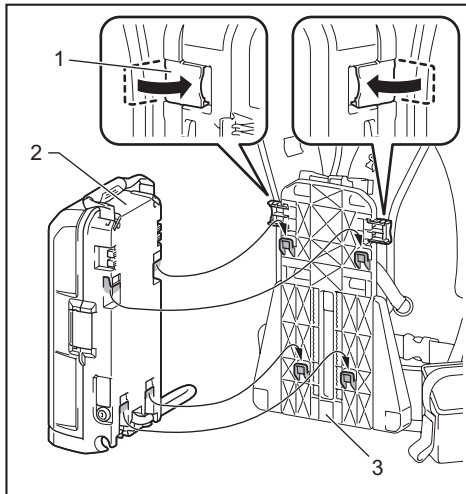
► 1. Adaptador 2. Bolsillo para adaptador

MONTAJE

PRECAUCIÓN: Asegúrese siempre de que la unidad esté apagada y el cartucho de batería haya sido extraído antes de realizar cualquier trabajo en la unidad.

Ensamble de la unidad

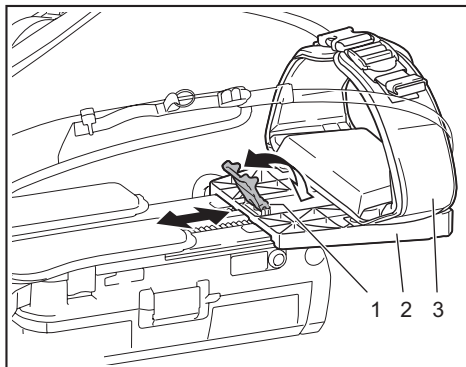
1. Acople la caja para baterías en la placa de base, tal como se muestra en la ilustración. Asegúrese de cerrar las lengüetas por ambos lados de la placa de base después de acoplar la caja para baterías.



► 1. Lengüeta 2. Caja para baterías 3. Placa de base

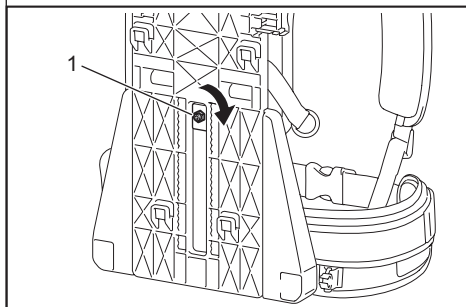
PRECAUCIÓN: Asegúrese de que la caja para baterías esté bien fijada a la placa de base y asegurada con las lengüetas. De lo contrario, la caja para baterías podría caerse cuando porte la unidad o utilice la unidad y ocasionar una lesión.

2. Ajuste la posición del cinturón. Levante la lengüeta para ajuste de altura, luego ajuste la posición del cinturón deslizando la placa de base y luego regrese la lengüeta.



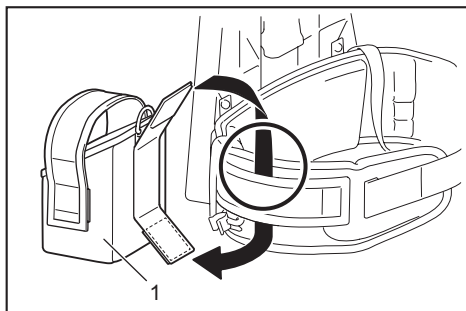
► 1. Lengüeta para ajuste de altura 2. Placa de base 3. Cinturón

AVISO: Si la lengüeta para ajuste de altura está floja, apriete la tuerca de la lengüeta para ajuste de altura. Cuando apriete la tuerca, no la apriete en exceso. De lo contrario, la lengüeta para ajuste de altura no se moverá.



► 1. Tuerca

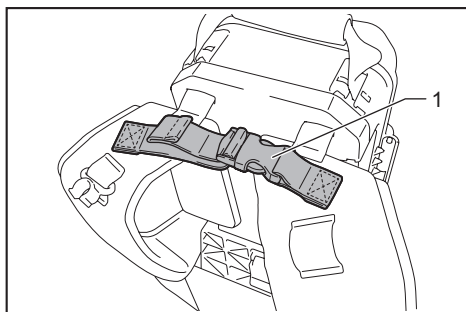
3. Acople el bolsillo para adaptador en el cinturón con el sujetador de enganche y cierre, tal y como se ilustra en la figura.



► 1. Bolsillo para adaptador

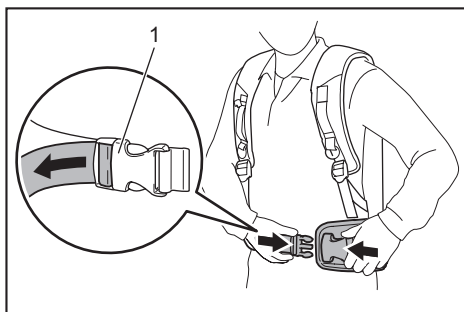
NOTA: El bolsillo para adaptador puede acoplarse ya sea en el lado izquierdo o derecho del cinturón.

4. Ajuste la anchura del arnés para hombros mediante la correa para ajuste de anchura.



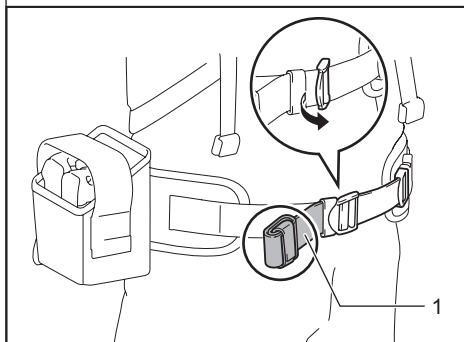
► 1. Correa para ajuste de anchura

5. Colóquese la unidad y luego cierre la hebilla del cinturón, y posteriormente ajuste la longitud del cinturón.



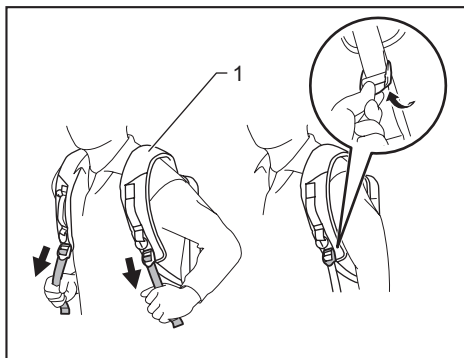
► 1. Hebilla

NOTA: Puede doblar y fijar la correa con el sujetador de enganche y cierre, tal y como se ilustra en la figura.



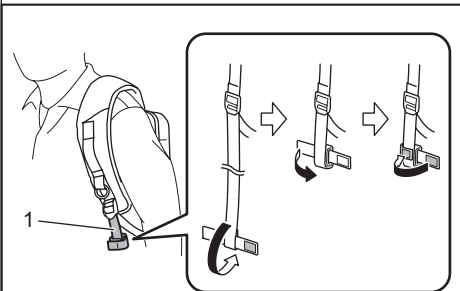
► 1. Correa

6. Ajuste la longitud del arnés para hombros.



► 1. Arnés para hombros

NOTA: Puede doblar y fijar la correa con el sujetador de enganche y cierre, tal y como se ilustra en la figura.



► 1. Correa

OPERACIÓN

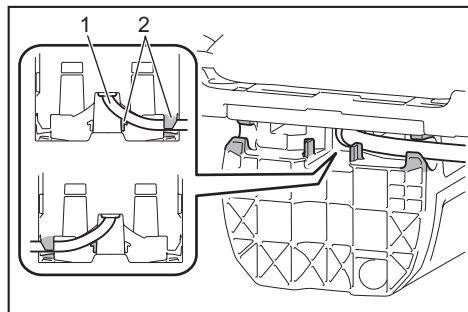
⚠PRECAUCIÓN: Cuando lleve puesta la unidad, asegúrese de colocar el arnés para hombros en ambos hombros. De lo contrario, la unidad podría caerse mientras la lleva puesta o la utiliza, y ocasionar una lesión.

⚠PRECAUCIÓN: Cuando lleve puesta la unidad, asegúrese de colocar la unidad sobre su espalda. De lo contrario, la unidad podría caerse durante la operación y ocasionar una lesión.

⚠PRECAUCIÓN: Apague siempre la herramienta o la máquina antes de encender la unidad o de conectar el enchufe del adaptador o de la herramienta eléctrica/máquina al enchufe hembra de la caja para baterías. De lo contrario, la herramienta o máquina podría arrancar súbitamente y ocasionar una lesión.

Conexión de la unidad a la herramienta o máquina

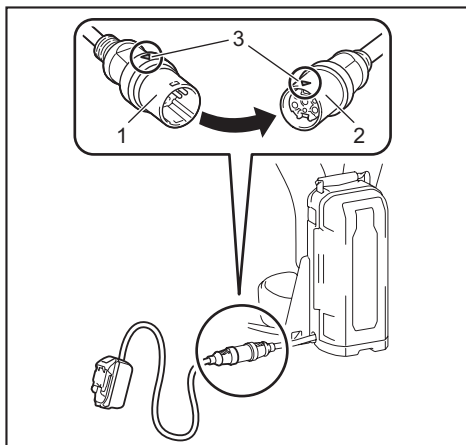
1. Jale hacia afuera el cable ya sea del lado izquierdo o derecho de la caja para baterías. Cuando jale el cable hacia afuera, asegúrese de fijar el cable en los sujetadores tal como se muestra en la figura.



► 1. Cable 2. Sujetador

2. Póngase la unidad.

3. Inserte el enchufe del adaptador o de la herramienta eléctrica/máquina en el enchufe hembra de la caja para baterías completamente, hasta que la marca de flecha del enchufe quede alineada con la del enchufe hembra.

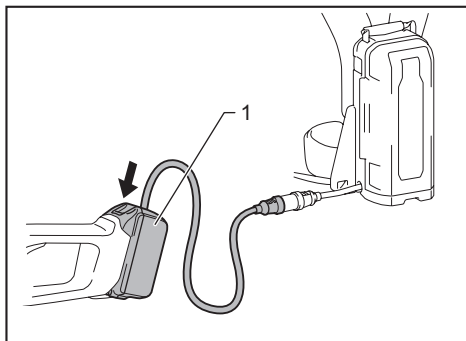


► 1. Enchufe 2. Enchufe hembra 3. Marca de flecha

AVISO: Al desconectar el enchufe y el enchufe hembra, no sujete los cables, sino el enchufe y el enchufe hembra. De lo contrario, los cables podrían dañarse y ocasionar una avería de la unidad.

NOTA: El enchufe y el enchufe hembra se desconectarán si se aplica cierta presión sobre ellos.

4. Instale los adaptadores a la herramienta o máquina, de la misma manera que el cartucho de batería.

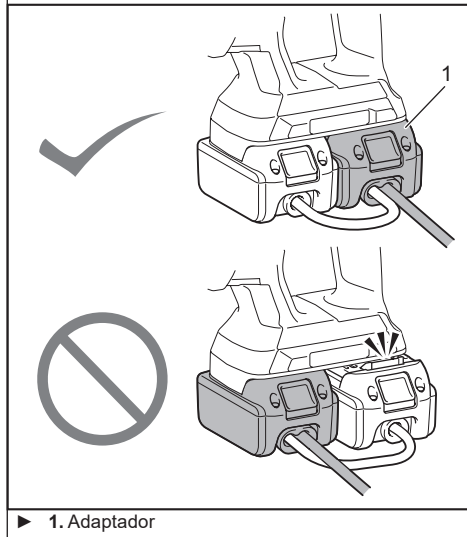


► 1. Adaptador

AVISO: Para una herramienta o máquina inalámbrica de 18 V, use el adaptador para 18 V. Para una herramienta o máquina inalámbrica de 36 V (18 V x 2), use los adaptadores para 36 V (18 V x 2).

Para una herramienta o máquina de tipo conexión directa, no se requiere adaptador.

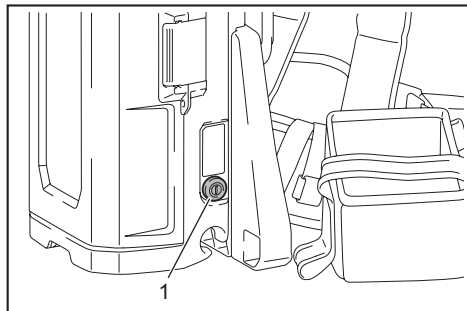
AVISO: Si no puede instalar los adaptadores en la herramienta o máquina cuando instale dos adaptadores, intercambie un adaptador por el otro e instáelos.



► 1. Adaptador

NOTA: La dirección del cable del adaptador se puede cambiar en el rango de aproximadamente 180 grados.

5. Oprima el botón de encendido/apagado para encender la unidad. Para apagar la unidad, oprima el botón de encendido/apagado durante unos segundos.

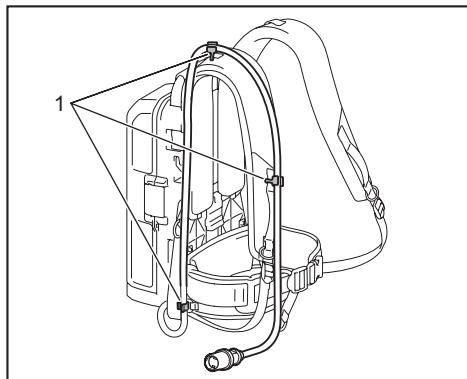


► 1. Botón de encendido/apagado

Uso de los sujetadores de cable

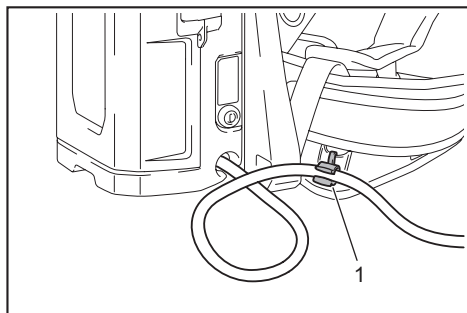
PRECAUCIÓN: Coloque solamente el cable de la caja para baterías en los sujetadores de cable. No coloque el cable de los adaptadores en los sujetadores de cable. Colocar el cable de los adaptadores puede abrir la posibilidad a un accidente y causar una lesión.

Puede colocar el cable de la caja para baterías en los sujetadores de cable, tal y como se muestra en la ilustración.



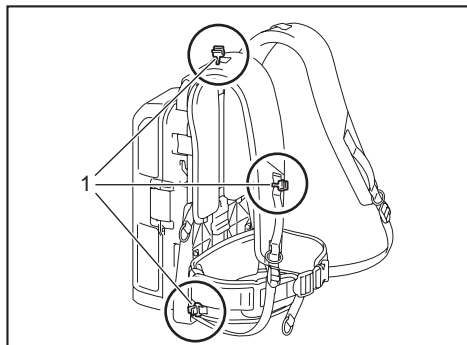
► 1. Sujetador de cable

También puede poner el cable usando solamente el sujetador de cable del cinturón, tal como se muestra en la ilustración.



► 1. Sujetador de cable

Los sujetadores de cable pueden colocarse ya sea en el lado izquierdo o derecho del arnés para hombros y del cinturón.



► 1. Sujetador de cable

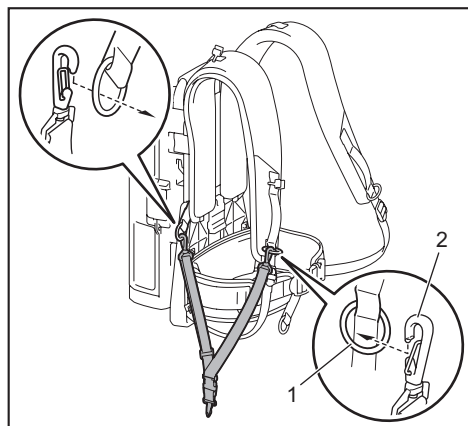
Uso de la banda para colgado

Acesorio opcional

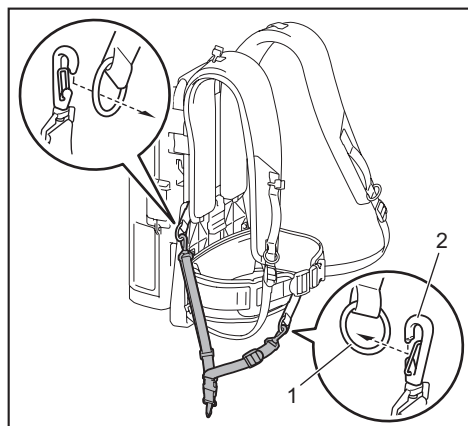
Puede usar la banda para colgado para el cortador inalámbrico de pasto o la desbrozadora inalámbrica con esta unidad.

Acoplamiento de la banda para colgado

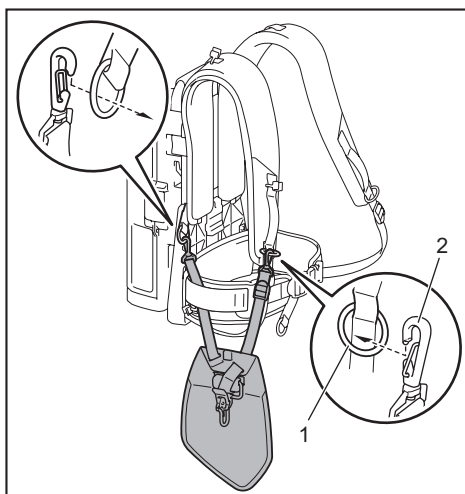
1. Acople los ganchos de la banda para colgado a los anillos del arnés para hombros o del cinturón, tal y como se ilustra en la figura. Seleccione el tipo de banda y el método de conexión apropiado para su uso.



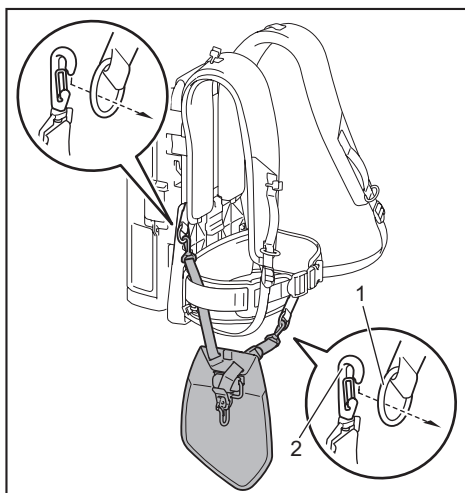
► 1. Anillo 2. Gancho



► 1. Anillo 2. Gancho

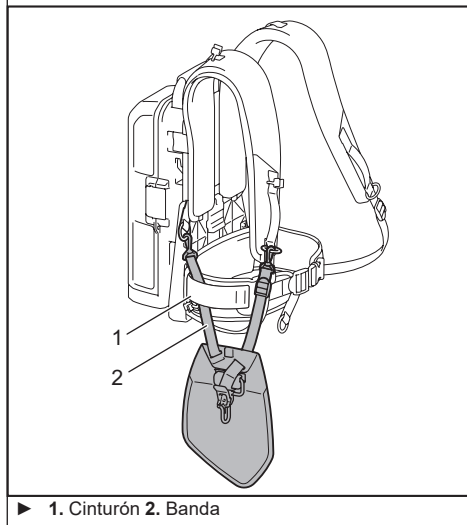


► 1. Anillo 2. Gancho

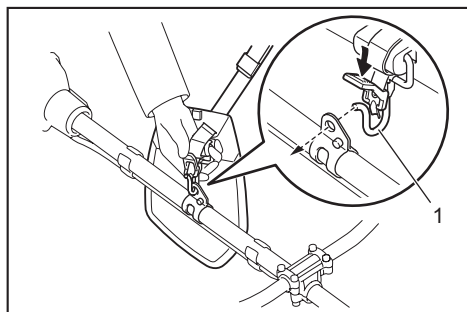


► 1. Anillo 2. Gancho

NOTA: Si la herramienta es del tipo de manija de bicicleta, coloque la banda de manera que ésta pase a través del interior del cinturón, tal como se muestra en la ilustración.

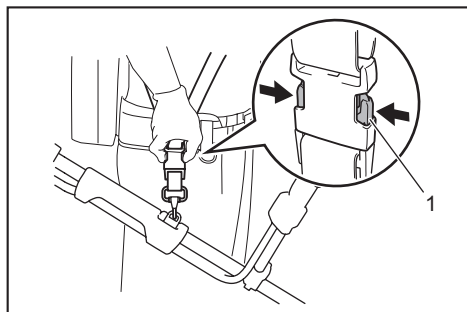


2. Acople el gancho a la herramienta.



Desacople de la herramienta

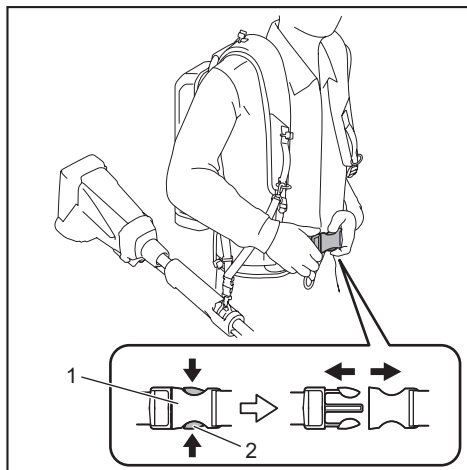
Oprima las lengüetas en la hebilla para desbloquearla.



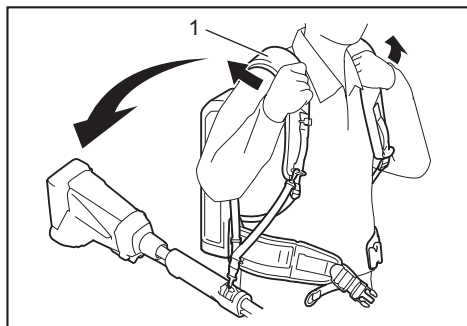
NOTA: La hebilla no se suministra, dependiendo del tipo de banda.

Desacople de emergencia

1. Oprima las lengüetas en la hebilla del cinturón para desbloquearla.



2. Quítese el arnés para hombros para liberar la herramienta y la unidad.



MANTENIMIENTO

PRECAUCIÓN: Asegúrese siempre de que la unidad haya sido apagada y que el cartucho de batería haya sido extraído antes de intentar realizar una inspección o tarea de mantenimiento.

AVISO: Nunca use gasolina, bencina, diluyente (tíner), alcohol o sustancias similares. Puede que esto ocasione grietas o descoloramiento.

Para mantener la SEGURIDAD y FIABILIDAD del producto, las reparaciones, y cualquier otra tarea de mantenimiento o ajuste deberán ser realizadas en centros de servicio autorizados o de fábrica Makita, empleando siempre repuestos Makita.

RESOLUCIÓN DE PROBLEMAS

Antes de solicitar alguna reparación, primero realice una inspección por su cuenta. Si detecta algún problema que no esté explicado en el manual, no intente desensamblar la herramienta, la máquina o la unidad. En vez de esto, solicite la reparación a un centro de servicio autorizado de Makita, usando siempre piezas de repuesto Makita.

Estado de la anomalía	Luz indicadora de alimentación principal	Causa	Solución	
La herramienta o máquina no arranca.	La luz se ilumina en color verde.	Los adaptadores no están instalados a la herramienta o máquina.	Instale los adaptadores a la herramienta o máquina. Verifique que los adaptadores estén instalados firmemente.	
		La herramienta o máquina o los cables de los adaptadores están demasiado calientes.	Permita que la herramienta o máquina y la unidad se enfríen.	
		La herramienta o máquina o la unidad están rotas.	Solicite la reparación a un centro de servicio autorizado de Makita.	
	La luz parpadea en verde.	El enchufe del adaptador o herramienta eléctrica/máquina y el enchufe hembra de la caja para baterías no están conectados.	Conecte el enchufe y el enchufe hembra. Verifique que el enchufe y el enchufe hembra estén conectados firmemente.	
			La capacidad restante de la batería no es suficiente.	Cargue las baterías o reemplácelas con unas que estén totalmente cargadas.
		No se instalan dos baterías en la unidad cuando se usa con la herramienta o máquina inalámbrica con un voltaje superior a 18 V. La capacidad restante de dos baterías no es suficiente.	Instale al menos una batería en el puerto para batería 1 o 2, y al menos una batería en el puerto para batería 3 o 4. Cargue las baterías o reemplácelas con unas que estén totalmente cargadas.	
		La unidad necesita cambiar de batería.	Apague la herramienta o máquina y vuélvala a encender. Oprima el botón de encendido/apagado de la unidad.	
		El cable de la unidad está demasiado caliente.	Enfríe la unidad.	
		La luz parpadea en color rojo y verde alternadamente.	La unidad ha detectado una anomalía.	Apague la unidad y vuélvala a encender.
			La herramienta o máquina o la unidad están rotas.	Solicite la reparación a un centro de servicio autorizado de Makita.
	La luz no se enciende.	La unidad no se enciende.	Encienda la unidad.	
		Las baterías no están instalados en la unidad.	Instale las baterías en la unidad.	
		La capacidad restante de la batería no es suficiente.	Cargue las baterías o reemplácelas con unas que estén totalmente cargadas.	
La unidad está averiada.		Solicite la reparación a un centro de servicio autorizado de Makita.		

ACCESORIOS OPCIONALES

⚠PRECAUCIÓN: Estos accesorios o aditamentos están recomendados para utilizarse con su herramienta Makita especificada en este manual.

El empleo de cualquier otro accesorio o aditamento puede conllevar el riesgo de lesiones personales.

Utilice los accesorios o aditamentos solamente para su fin establecido.

Si necesita cualquier ayuda para más detalles en relación con estos accesorios, pregunte a su centro de servicio local Makita.

- Batería y cargador originales de Makita
- Adaptadores para 36 V (18 V x 2)
- Adaptador para 18 V

NOTA: Algunos de los artículos en la lista pueden incluirse en el paquete de la herramienta como accesorios estándar. Éstos pueden variar de país a país.

Makita Corporation
3-11-8, Sumiyoshi-cho,
Anjo, Aichi 446-8502 Japan
www.makita.com

885727B936
EN, FRCA, ESMX
20200320