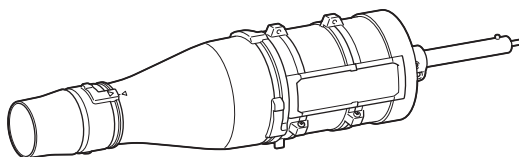


ORIGINAL INSTRUCTION MANUAL
MANUEL D'INSTRUCTIONS
ORIGINAL
MANUAL DE INSTRUCCIONES
ORIGINALES



Blower Attachment Tête Souffleur Accesorio de Soplado

UB400MP



IMPORTANT: Read Before Using.

IMPORTANT : Lire avant usage.

IMPORTANTE: Lea antes de usar.

TABLE OF CONTENTS

SPECIFICATIONS	2	OPERATION	9
SAFETY WARNINGS	3	MAINTENANCE	10
PARTS DESCRIPTION	7	TROUBLESHOOTING	12
ASSEMBLY	8	OPTIONAL ACCESSORIES	12

SPECIFICATIONS

Model:		UB400MP
Capacities *1	Air volume	0 - 14.8 m ³ /min (0 - 523 cu.ft./min)
	Air speed (average)	0 - 49.1 m/s (0 - 110 MPH)
	Air speed (max.)	0 - 59.0 m/s (0 - 132 MPH)
Capacities *2	Air volume	0 - 12.6 m ³ /min (0 - 445 cu.ft./min)
	Air speed (average)	0 - 41.8 m/s (0 - 94 MPH)
	Air speed (max.)	0 - 50.3 m/s (0 - 113 MPH)
Capacities *3	Air volume	0 - 15.8 m ³ /min (0 - 558 cu.ft./min)
	Air speed (average)	0 - 52.4 m/s (0 - 117 MPH)
	Air speed (max.)	0 - 63.0 m/s (0 - 141 MPH)
Capacities *4	Air volume	0 - 14.6 m ³ /min (0 - 516 cu.ft./min)
	Air speed (average)	0 - 50.3 m/s (0 - 113 MPH)
	Air speed (max.)	0 - 60.4 m/s (0 - 135 MPH)
Overall length		810 mm (32")
Net weight		1.7 kg (3.8 lbs)

*1. Capacities of blower attachment in conjunction with DUX60 Cordless Multi Function Power Head

*2. Capacities of blower attachment in conjunction with DUX18 Cordless Multi Function Power Head

*3. Capacities of blower attachment in conjunction with UX01G Cordless Multi Function Power Head (with battery BL4040)

*4. Capacities of blower attachment in conjunction with EX2650LH Multi Function Power Head

- Due to our continuing program of research and development, the specifications herein are subject to change without notice.
- Specifications may differ from country to country.

Approved power unit

This attachment is approved to use only with the following power unit(s):

- DUX60, DUX18, UX01G Cordless Multi Function Power Head
- EX2650LH Multi Function Power Head

⚠ WARNING: Never use the attachment with non-approved power unit. Non-approved combination may cause serious injury.

Symbols

The followings show the symbols which may be used for the equipment. Be sure that you understand their meaning before use.



Take particular care and attention.



Read instruction manual.



Keep hands away from rotating parts.



Keep bystanders away.



Wear eye and ear protection.



Long hair may cause entanglement accident.



Keep distance at least 15 m (50 ft).

Intended use

This attachment is designed for only the purpose of blowing dust in conjunction with an approved power unit. Never use the attachment for other purposes. Abusing the attachment may cause serious injury.

SAFETY WARNINGS

IMPORTANT SAFETY INSTRUCTIONS

When using an electrical appliance, basic precautions should always be followed, including the following:

READ ALL INSTRUCTIONS BEFORE USING THIS APPLIANCE. WARNING - To reduce the risk of fire, electric shock, or injury:

1. Do not leave appliance when battery is installed or spark plug cap is attached. Remove battery or spark plug cap from appliance when not in use and before servicing.
2. Do not expose to rain. Store indoors.
3. Do not allow to be used as a toy. Close attention is necessary when used by or near children.
4. Use only as described in this manual. Use only manufacturer's recommended attachments.
5. Do not use with damaged power unit. If appliance is not working as it should, has been dropped, damaged, left outdoors, or dropped into water, return it to a service center.
6. Do not put any object into openings. Do not use with any opening blocked; keep free of dust, lint, hair, and anything that may reduce air flow.

7. Keep hair, loose clothing, fingers, and all parts of body away from openings and moving parts.
8. Use extra care when cleaning on stairs.
9. Use only the charger supplied by the manufacturer to recharge.

SAVE THESE INSTRUCTIONS.

This appliance is intended for commercial use.

Blower Safety Instructions

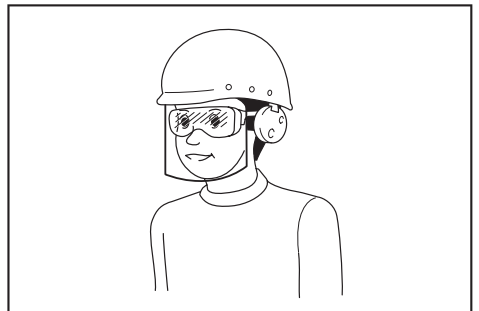
⚠️WARNING: Read all safety warnings, instructions, illustrations and specifications provided with this machine as well as the instruction manual of the power unit before using. Failure to follow all instructions listed below may result in electric shock, fire, and/or serious injury to the operator and/or bystanders.

The term "blower" and "machine" in the warnings and precautions refer to the combination of the attachment and the power unit.

The term "motor" in the warnings and precautions refers to the engine or electric motor of the power unit.

Preparation

1. Always wear substantial footwear and long trousers while operating the blower.
2. Do not wear loose clothing or jewellery that can be drawn into the air inlet. Keep long hair away from the air inlets.
3. Always wear protective goggles to protect your eyes from injury when using the machine. The goggles must comply with ANSI Z87.1 in the USA, EN 166 in Europe, or AS/NZS 1336 in Australia/New Zealand. In Australia/New Zealand, it is legally required to wear a face shield to protect your face, too.

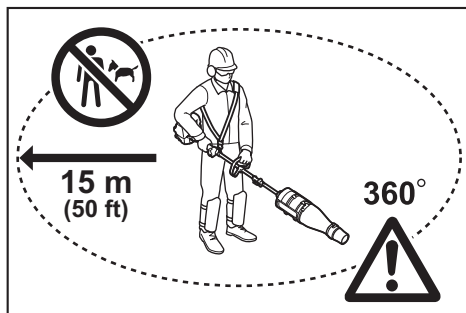


It is an employer's responsibility to enforce the use of appropriate safety protective equipments by the tool operators and by other persons in the immediate working area.

4. Always wear a long-sleeve shirt and a cap when using the blower.
 5. To prevent dust irritation the wearing of a face mask is recommended.
 6. While operating the machine, always wear non-slip and protective footwear. Non-skid, closed-toed safety boots and shoes will reduce the risk of injury.
 7. Stay alert, watch what you are doing and use common sense when operating the machine. Do not use the machine while you are tired, ill, or under the influence of drugs, alcohol or medication. A moment of inattention while operating the machine may result in serious personal injury.
 8. Start and operate the engine only outdoors in a well ventilated area. Operation in a confined or poorly ventilated area can result in death due to suffocation or carbon monoxide poisoning.
 9. Wear ear protection, such as ear muffs. Exposure to noise can cause hearing loss.
 10. Use of gloves when working with the blower is recommended. Wear sturdy shoes with non-slip soles.
3. Operate the blower only in daylight or in good artificial light.
 4. Do not overreach and keep proper balance and footing at all times. Keep all parts of your body away from hot surfaces.
 5. Never blow debris in the direction of bystanders.
 6. Operate the blower in a recommended position and on a firm surface.
 7. Never point the nozzle at anyone in the vicinity when using the blower.
 8. Never block suction inlet and/or blower outlet.
 - Be careful not to block suction inlet or blower outlet with dust or dirt when operating in dusty area.
 - Do not use nozzles other than the nozzles provided by Makita.
 - Do not use the blower to inflate balls, rubber boat or the similar.
 9. Do not operate the blower near open window, etc.
 10. Operating the blower only at reasonable hours is recommended - not early in the morning or late at night when people might be disturbed. Comply with times listed in local ordinances.
 11. Using rakes and brooms to loosen debris before blowing is recommended.
 12. If the blower strikes any foreign objects or should start making any unusual noise or vibration, immediately switch off the blower to stop it. Remove the battery cartridge or the spark plug cap from the blower, and inspect the blower for damage before restarting and operating the blower. If the blower is damaged, ask Makita Authorized Service Centers for repair.
 13. Do not insert fingers or other objects into suction inlet or blower outlet.
 14. Prevent unintentional starting. Ensure the switch is in the off-position before inserting battery cartridge, picking up or carrying the blower. Carrying the blower with your finger on the switch or energizing the blower that has the switch on invites accidents.
 15. Never blow dangerous materials, such as nails, fragments of glass, or blades.
 16. Do not operate the blower near flammable materials.
 17. Avoid operating the blower for a long time in low temperature environment.

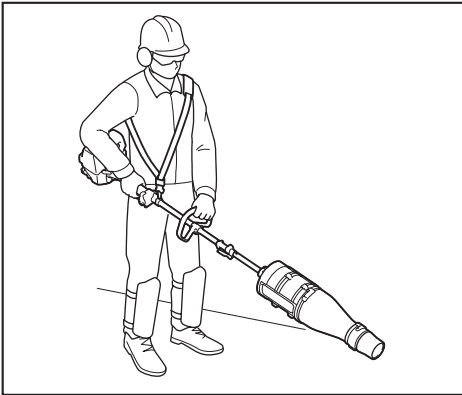
Operation

1. Clear the area of children, bystanders, and pets. At a minimum, keep all children, bystanders, and pets outside a 15 m (50 ft) radius; outside the 15 m (50 ft) zone, there is still a risk of injury from thrown objects. Bystanders should be encouraged to wear eye protection. If you are approached, stop the engine or machine.



2. Switch off the blower and remove the battery cartridge or the spark plug cap, and make sure that all moving parts have come to a complete stop
 - whenever you leave the blower.
 - before clearing blockages.
 - before checking, cleaning or working on the blower.
 - if the blower starts to vibrate abnormally.

18. Before assembling or adjusting the machine, switch off the motor and remove the spark plug cap or the battery cartridge.
19. Wear the personal protective equipments before starting the motor.
20. Before starting the motor, inspect the machine for damages, loose screws/nuts or improper assembly. Check for fuel leaks. Check all control levers and switches for easy action. Clean and dry the handles.
21. Never attempt to start the motor if the machine is damaged or not fully assembled.
22. Adjust the shoulder harness and hand grip to suit the operator's body size.
23. When starting the engine, place the machine on firm ground and then maintain good balance and secure footing.
24. When pulling the starter knob of the engine, hold the power unit firmly against the ground by your left hand. Never step on the drive shaft of the power unit.
25. Stop the motor immediately if you notice any trouble.
26. Follow the instruction manual of the power unit for starting the motor.
27. With the engine running only at idle, attach the shoulder harness.
28. During operation, use the shoulder harness. Keep the machine on your right side firmly.
31. If the machine gets heavy impact or fall, check the condition before continuing work. Check the fuel system for fuel leakage and the controls and safety devices for malfunction. If there is any damage or doubt, ask our authorized service center for the inspection and repair.
32. Follow the instruction manual of the power unit for proper use of the control lever and switch.
33. During or after operation, do not put the hot machine onto dry grass or combustible materials.
34. Refer to the instruction manual of the power unit for how to start and control the machine.
35. Operate the blower at the lowest possible engine speed to do the job.
36. Adjust the length of the blower nozzle so that the air stream can work close to the ground.
37. Do not work from ladders or high places. Otherwise it may result in personal injury.
38. Avoid blowing debris towards people, pets, open windows, or cars when using unit.
39. Before blowing, slightly dampen surfaces in dusty conditions or use water mist sprayer if necessary.
40. Conserve water by using blowers instead of hoses for many lawn and garden applications, including areas such as gutters, screens, patios, grills, porches, and gardens.



29. Hold the front handle with the left hand and the rear grip with the right hand, no matter you are right-hander or left-hander. Wrap your fingers and thumbs around the handles.
30. Never attempt to operate the machine with one hand. Loss of control may result in an injury.
41. To reduce sound levels, limit the number of pieces of equipment used at any one time.
42. After using blowers and other equipment, **CLEAN UP!** Dispose of debris in trash receptacles.

Refueling

1. Stop the engine before refueling. Keep away from open flames and sparks. **Never smoke during refueling.** Otherwise fire and/or explosion may result.
2. **Refuel outdoors.** Refueling in a closed room can cause explosion of fuel vapor.
3. **Avoid contact with fuel or engine oil.** Do not inhale fuel vapor. If fuel or oil spills, wipe it off of the machine and/or ground immediately. If fuel spills on your clothes, change it immediately to prevent it from catching fire.
4. After refueling, carefully tighten the fuel tank cap and check for fuel leak. Move at least 3 m (10 feet) away from the fueling source and site before starting engine.

5. **Only transport and store fuel in approved containers. Keep children away from the stored fuel.**

Transportation

1. **Stop the motor during transportation.** Otherwise unintentional start-up may cause injury.
2. **Ensure safe position of the machine during car transportation to avoid fuel leakage.**
3. **Lift the entire machine from the ground when carrying the machine.** Dragging the machine causes fuel tank damage and fuel leakage, resulting in fire.
4. **When transporting the equipment, carry it in a horizontal position by holding the shaft. Keep the hot muffler away from your body.**

Vibration

1. **Exposing to excessive vibration injures blood vessels or nervous system of the operator and causes the following symptoms in the fingers, hands or wrists: "Falling asleep" (numbness), tingling, pain, stabbing sensation, alteration of skin color or of the skin. If any of these symptoms occur, see a physician. To reduce the risk of "white finger disease", keep your hands warm during operation and well maintain the machine and accessories.**

Maintenance and storage

1. **Keep all nuts, bolts and screws tight to be sure the blower is in safe working condition.**
2. **If the parts are worn or damaged, replace them with parts provided by Makita.**
3. **Store the blower in a dry place out of the reach of children.**
4. **When you stop the blower for inspection, servicing, storage, or changing accessory, switch off the blower and make sure that all moving parts come to a complete stop, and remove the battery cartridge or the spark plug cap. Cool down the blower before making any work on the blower. Maintain the blower with care and keep it clean.**
5. **Always cool down the blower before storing.**
6. **When you lift the blower, be sure to bend your knees and be careful not to hurt your back.**
7. **To reduce the risk of fire, never service the equipment in the vicinity of fire.**

8. **Always clean dust and dirt off the equipment. Never use gasoline, benzine, thinner, alcohol or the like for the purpose.** Discoloration, deformation or cracks of the plastic components may result.
9. **After each use, tighten all screws and nuts, except for the carburetor adjustment screws.**
10. **Do not attempt any maintenance or repair not described in this instruction manual or the instruction manual of the power unit. Ask our authorized service center for such work.**
11. **Follow instructions for lubricating and changing accessories.**
12. **Always use the genuine spare parts and accessories only.** Using parts or accessories supplied by a third party may result in the equipment breakdown, property damage and/or serious injury.
13. **Request our authorized service center to inspect and maintain the machine at regular interval.**
14. **Before storing the machine, perform full cleaning and maintenance. Remove the spark plug cap or the battery cartridge. Drain the fuel after the engine gets cold.**
15. **Do not prop the equipment against something, such as a wall.** Otherwise it may fall suddenly and cause an injury.

Battery tool use and care

1. **Prevent unintentional starting. Ensure the switch is in the off-position before connecting to battery pack, picking up or carrying the machine.** Carrying the machine with your finger on the switch or energizing machine that have the switch on invites accidents.
2. **Disconnect the battery pack from the machine before making any adjustments, changing accessories, or storing machine.** Such preventive safety measures reduce the risk of starting the machine accidentally.
3. **Recharge only with the charger specified by the manufacturer.** A charger that is suitable for one type of battery pack may create a risk of fire when used with another battery pack.
4. **Use machines only with specifically designated battery packs.** Use of any other battery packs may create a risk of injury and fire.
5. **When battery pack is not in use, keep it away from other metal objects, like paper clips, coins, keys, nails, screws or other small metal objects, that can make a connection from one terminal to another.** Shorting the battery terminals together may cause burns or a fire.

6. **Under abusive conditions, liquid may be ejected from the battery; avoid contact. If contact accidentally occurs, flush with water. If liquid contacts eyes, seek medical help.** Liquid ejected from the battery may cause irritation or burns.
7. **Do not use a battery pack or machine that is damaged or modified. Damaged or modified batteries may exhibit unpredictable behaviour resulting in fire, explosion or risk of injury.**
8. **Do not expose a battery pack or machine to fire or excessive temperature. Exposure to fire or temperature above 130°C (265°F) may cause explosion.**
9. **Follow all charging instructions and do not charge the battery pack or machine outside of the temperature range specified in the instructions.** Charging improperly or at temperatures outside of the specified range may damage the battery and increase the risk of fire.
10. **Have servicing performed by a qualified repair person using only identical replacement parts.** This will ensure that the safety of the product is maintained.
11. **Do not modify or attempt to repair the machine or the battery pack except as indicated in the instructions for use and care.**

Electrical and battery safety

1. **Do not dispose of the battery(ies) in a fire.** The cell may explode. Check with local codes for possible special disposal instructions.
2. **Do not open or mutilate the battery(ies).** Released electrolyte is corrosive and may cause damage to the eyes or skin. It may be toxic if swallowed.
3. **Do not charge battery in rain, or in wet locations.**
4. **Do not charge the battery outdoors.**
5. **Do not handle charger, including charger plug, and charger terminals with wet hands.**

Service

1. **Have your power tool serviced by a qualified repair person using only identical replacement parts.** This will ensure that the safety of the power tool is maintained.
2. **Never service damaged battery packs.** Service of battery packs should only be performed by the manufacturer or authorized service providers.

First Aid

1. **In case of accident make sure that a first-aid box is available in the vicinity of the operations. Immediately replace any item taken from the first aid box.**
2. **When asking for help, give the following information:**
 - Place of accident
 - What happened
 - Number of injured persons
 - Kind of injuries
 - Your name

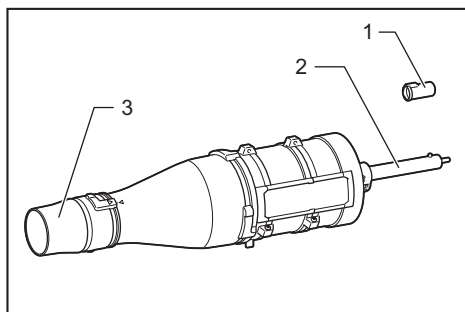
SAVE THESE INSTRUCTIONS.

⚠ WARNING: DO NOT let comfort or familiarity with product (gained from repeated use) replace strict adherence to safety rules for the subject product. MISUSE or failure to follow the safety rules stated in this instruction manual may cause serious personal injury.

⚠ WARNING: Use of this product can create dust containing chemicals which may cause respiratory or other illnesses. Some examples of these chemicals are compounds found in pesticides, insecticides, fertilizers and herbicides.

Your risk from these exposures varies, depending on how often you do this type of work. To reduce your exposure to these chemicals: work in a well ventilated area, and work with approved safety equipment, such as those dust masks that are specially designed to filter out microscopic particles.

PARTS DESCRIPTION



► 1. Cap 2. Pipe 3. Front nozzle

ASSEMBLY

⚠ WARNING: Before assembling or adjusting the equipment, switch off the motor or engine and remove the spark plug cap or battery cartridge. Otherwise, the fans may move and result in an injury.

⚠ WARNING: When assembling or adjusting the equipment, always put it down. Assembling or adjusting the equipment in an upright position may result in serious injury.

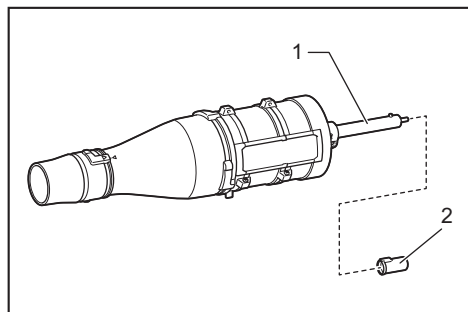
⚠ WARNING: Follow the warnings and precautions in the chapter “SAFETY WARNINGS” and the instruction manual of the power unit.

Mounting the attachment pipe

⚠ CAUTION: Always check that the attachment pipe is secured after installation. Improper installation may cause the attachment falling off from the power unit and cause personal injury.

Mount the attachment pipe to the power unit.

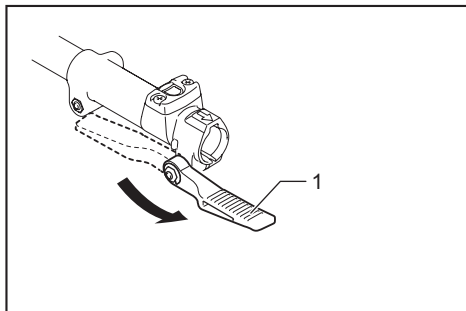
1. Remove the cap from the end of the pipe.



1. Pipe 2. Cap

NOTICE: Do not dispose of the cap since the cap is necessary for storing the attachment.

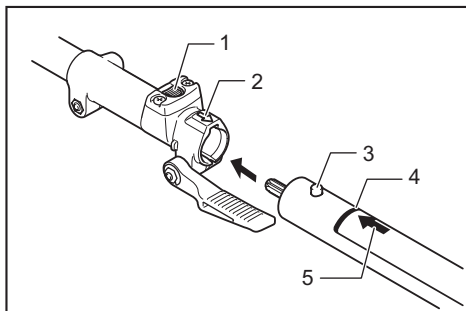
2. Turn the lever toward the attachment.



1. Lever

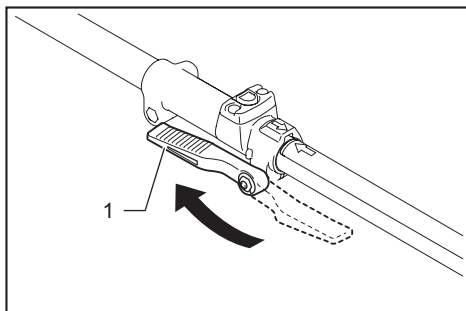
3. Align the pin with the arrow mark on the power unit. Insert the pipe until the release button pops up.

Make sure that the position line is on the tip of the arrow mark on the power unit, and the arrow mark on the power unit and the arrow mark on the pipe are facing each other.



1. Release button 2. Arrow mark on the power unit 3. Pin 4. Position line 5. Arrow mark on the pipe

4. Turn the lever toward the power unit.

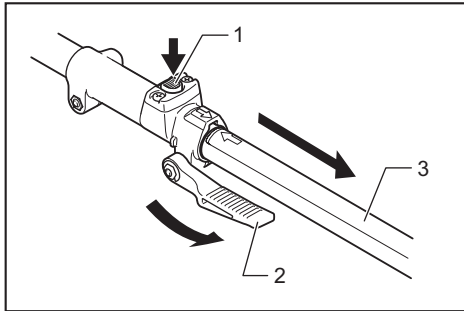


1. Lever

Make sure that the surface of the lever is parallel to the pipe.

NOTICE: Do not tighten the lever without the attachment pipe inserted. Otherwise the lever may tighten the entrance of the drive shaft too much and damage it.

To remove the pipe, turn the lever toward the attachment and pull the pipe out while pressing down the release button.

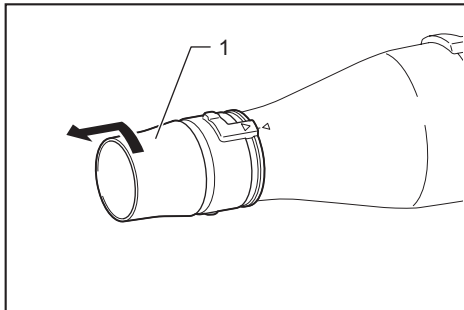


► 1. Release button 2. Lever 3. Pipe

Installing the flat nozzle or extension nozzle

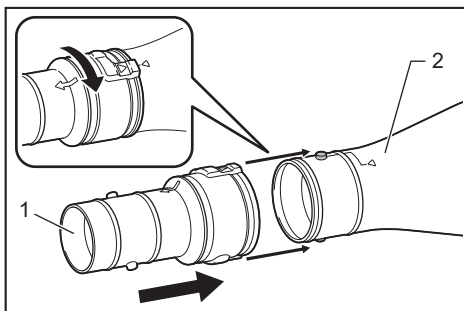
Optional accessory

1. Remove the front nozzle by turning it as shown in the figure.



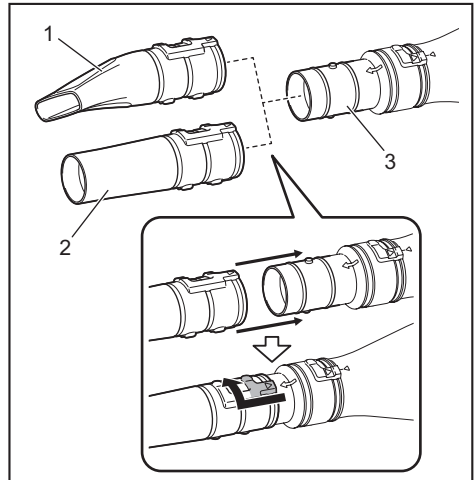
► 1. Front nozzle

2. Attach the adapter pipe to the attachment, and then turn it to lock it into place.



► 1. Adapter pipe 2. Attachment

3. Attach the flat nozzle or extension nozzle to the adapter pipe, and then turn it to lock it into place.



► 1. Flat nozzle 2. Extension nozzle 3. Adapter pipe

NOTICE: The grooves on the deep side of the flat nozzle or extension nozzle are not available. Be sure to use the grooves shown in the figure to attach the flat nozzle or extension nozzle.

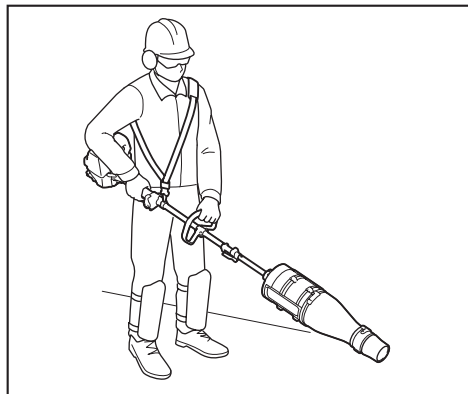
OPERATION

⚠ WARNING: Follow the warnings and precautions in the chapter “SAFETY WARNINGS” and the instruction manual of the power unit.

⚠ WARNING: Adjust the hanger position and shoulder harness to your comfortable position before operating.

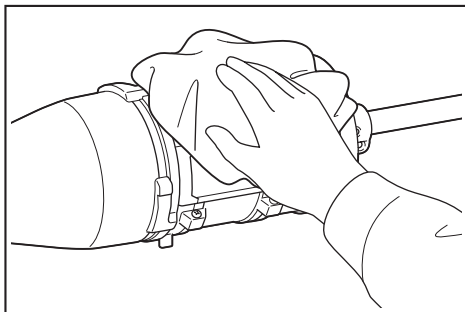
⚠ CAUTION: Do not place the machine on the ground while it is switched on. Sand or dust may enter from suction inlet and cause a malfunction or personal injury.

Hold the machine firmly with both hands and perform the blowing operation by moving it around slowly. When blowing around building, big stone or vehicle, direct the nozzle away from them. When performing an operation in a corner, start from the corner and then move to wide area. Adjust the air speed with the switch trigger or throttle lever of the power unit according to the environment or conditions of your usage.

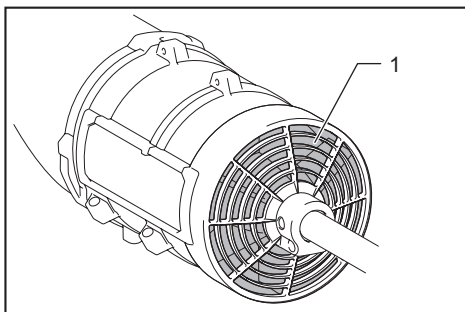


Cleaning the machine

Clean the machine by wiping off dust with a dry cloth or one dipped in soapy water and wrung out.



Remove dust or dirt from the suction inlet at the rear of the attachment.



► 1. Suction inlet

MAINTENANCE

⚠ WARNING: Before inspecting or maintaining the equipment, switch off the motor and remove the battery cartridge, or stop the engine and remove the spark plug cap. Otherwise, the fans may move and result in serious injury.

⚠ WARNING: When inspecting or maintaining the equipment, always put it down. Assembling or adjusting the equipment in an upright position may result in serious injury.

⚠ WARNING: Follow the warnings and precautions in the chapter “SAFETY WARNINGS” and the instruction manual of the power unit.

NOTICE: Never use gasoline, benzene, thinner, alcohol or the like. Discoloration, deformation or cracks may result.

To maintain product SAFETY and RELIABILITY, repairs, any other maintenance or adjustment should be performed by Makita Authorized or Factory Service Centers, always using Makita replacement parts.

Overall inspection

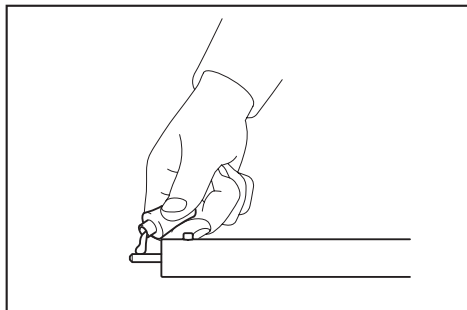
Check for damaged parts. Ask our authorized service center to replace them if necessary.

Lubricating moving parts

NOTICE: Follow the instruction of the frequency and amount of grease supplied. Otherwise insufficient lubrication may damage moving parts.

Drive axle:

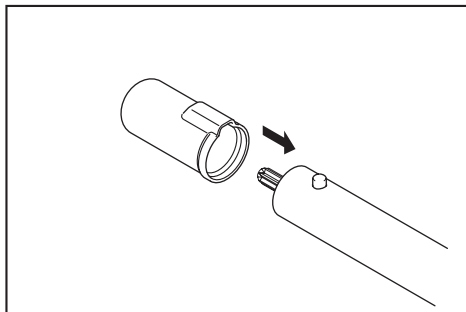
Apply grease (Makita grease N No.2 or equivalent) every 30 hours of operation.



NOTE: Genuine Makita grease may be purchased from your local Makita dealer.

Storage

When storing the attachment separated from the power unit, put the cap onto the end of the pipe.



Interval of inspection and maintenance

Operating hour		Before Operation	Daily (10 hours)	30 hours
Whole unit	Visually inspect for damaged parts	✓	-	-
Drive axle	Supply grease	-	-	✓
Power unit	Refer to the instruction manual of the power unit			

TROUBLESHOOTING

Before asking for repairs, conduct your own inspection first. If you find a problem that is not explained in the manual, do not attempt to disassemble the machine. Instead, ask Makita Authorized Service Centers, always using Makita replacement parts for repairs.

State of abnormality	Probable cause (malfunction)	Remedy
Motor or engine does not start.	-	Refer to the instruction manual of the power unit.
Motor or engine stops soon.	-	Refer to the instruction manual of the power unit.
Motor or engine speed does not increase.	-	Refer to the instruction manual of the power unit.
Fans do not rotate. ⇒ Stop the motor or engine immediately.	The pipes of the power unit and the attachment are not connected properly.	Connect the pipes in the correct way.
	Abnormal drive system	Contact an authorized service center for repairs.
Power unit vibrates abnormally. ⇒ Stop the motor or engine immediately.	Abnormal drive system	Contact an authorized service center for repairs.
Fans continue to rotate even if the switch trigger/lever is released. ⇒ Stop the motor or engine immediately.	The power unit does not work properly.	Adjust the idle speed if the power unit is engine-operated. Contact an authorized service center for repairs.

OPTIONAL ACCESSORIES

⚠ CAUTION: These accessories or attachments are recommended for use with your Makita machine specified in this manual.

The use of any other accessories or attachments might present a risk of injury to persons. Only use accessory or attachment for its stated purpose.

If you need any assistance for more details regarding these accessories, ask your local Makita Service Center.

- Adapter pipe
- Extension nozzle
- Flat nozzle
- Gutter nozzle set
- Makita genuine battery and charger

NOTE: Some items in the list may be included in the product package as standard accessories. They may differ from country to country.

TABLE DES MATIÈRES

SPÉCIFICATIONS	13	UTILISATION	22
CONSIGNES DE SÉCURITÉ	14	ENTRETIEN	22
DESCRIPTION DES PIÈCES	20	DÉPANNAGE	24
ASSEMBLAGE	20	ACCESSOIRES EN OPTION	24

SPÉCIFICATIONS

Modèle :		UB400MP
Capacités *1	Volume d'air	0 - 14,8 m ³ /min (0 - 523 cu.ft./min)
	Vitesse du flux d'air (moyenne)	0 - 49,1 m/s (0 - 110 MPH)
	Vitesse du flux d'air (max.)	0 - 59,0 m/s (0 - 132 MPH)
Capacités *2	Volume d'air	0 - 12,6 m ³ /min (0 - 445 cu.ft./min)
	Vitesse du flux d'air (moyenne)	0 - 41,8 m/s (0 - 94 MPH)
	Vitesse du flux d'air (max.)	0 - 50,3 m/s (0 - 113 MPH)
Capacités *3	Volume d'air	0 - 15,8 m ³ /min (0 - 558 cu.ft./min)
	Vitesse du flux d'air (moyenne)	0 - 52,4 m/s (0 - 117 MPH)
	Vitesse du flux d'air (max.)	0 - 63,0 m/s (0 - 141 MPH)
Capacités *4	Volume d'air	0 - 14,6 m ³ /min (0 - 516 cu.ft./min)
	Vitesse du flux d'air (moyenne)	0 - 50,3 m/s (0 - 113 MPH)
	Vitesse du flux d'air (max.)	0 - 60,4 m/s (0 - 135 MPH)
Longueur totale		810 mm (32")
Poids net		1,7 kg (3,8 lbs)

*1. Capacités de la tête souffleur en combinaison avec le moteur multi-fonctions sans fil DUX60

*2. Capacités de la tête souffleur en combinaison avec le moteur multi-fonctions sans fil DUX18

*3. Capacités de la tête souffleur en combinaison avec le moteur multi-fonctions sans fil UX01G (avec batterie BL4040)

*4. Capacités de la tête souffleur en combinaison avec le moteur multi-fonctions EX2650LH

- Étant donné l'évolution constante de notre programme de recherche et de développement, les spécifications contenues dans ce manuel sont sujettes à modification sans préavis.

- Les spécifications peuvent varier suivant les pays.

Unité d'alimentation approuvée

Cette fixation est approuvée uniquement pour l'utilisation avec les unités d'alimentation suivantes :

- Moteur Multi-Fonctions Sans Fil DUX60, DUX18, UX01G
- Moteur Multi-Fonctions EX2650LH

⚠ MISE EN GARDE : N'utilisez jamais la fixation avec une unité d'alimentation non approuvée. Une combinaison non approuvée peut entraîner une grave blessure.

Symboles

Les symboles qui peuvent être utilisés pour l'équipement sont indiqués ci-dessous. Vous devez avoir compris leur signification avant l'utilisation.

	Soyez tout particulièrement prudent et attentif.
	Lisez le manuel d'instructions.
	Gardez les mains à l'écart des pièces en rotation.
	Gardez les personnes présentes à l'écart.
	Portez une protection pour les yeux et pour les oreilles.
	Les cheveux longs peuvent s'empêtrer et causer un accident.
	Gardez une distance d'au moins 15 m (50 ft).

Utilisation prévue

Cet accessoire est conçu uniquement pour souffler les poussières en combinaison avec une unité d'alimentation approuvée. N'utilisez jamais l'accessoire à d'autres fins. Maltraiter l'accessoire peut entraîner une grave blessure.

CONSIGNES DE SÉCURITÉ

IMPORTANTES CONSIGNES DE SÉCURITÉ

Lors de l'utilisation d'un appareil électrique, vous devez toujours prendre des précautions de base, dont les suivantes :

LISEZ TOUTES LES INSTRUCTIONS AVANT D'UTILISER CET APPAREIL.

MISE EN GARDE : Pour réduire les risques d'incendie, de décharge électrique et de blessure :

1. **Ne quittez pas l'appareil pendant que la batterie est installée ou que le capuchon de bougie d'allumage est fixé. Retirez la batterie ou le capuchon de bougie d'allumage de l'appareil lorsqu'il n'est pas utilisé et avant de le réparer.**
2. **Ne l'exposez pas à la pluie. Rangez-le à l'intérieur.**
3. **Ne laissez pas les enfants l'utiliser comme jouet. Une attention particulière est nécessaire lors de l'utilisation par les enfants ou près d'eux.**
4. **Utilisez-le uniquement de la façon décrite dans ce manuel. Utilisez uniquement les accessoires recommandés par le fabricant.**
5. **Ne l'utilisez pas avec une unité d'alimentation endommagée. Si l'appareil ne fonctionne pas bien, s'il a été échappé, endommagé, laissé à l'extérieur ou échappé dans l'eau, retournez-le à un centre de service après-vente.**
6. **Ne mettez rien dans les ouvertures. Ne l'utilisez jamais si une des ouvertures est bouchée ; gardez ces dernières exemptes de poussières, charpies, cheveux ou tout objet pouvant réduire la circulation de l'air.**
7. **Gardez les cheveux, les vêtements amples, les doigts et toute autre partie du corps à l'écart des ouvertures et des pièces mobiles.**
8. **Soyez tout particulièrement prudent lorsque vous nettoyez sur les marches d'un escalier.**
9. **Utilisez uniquement le chargeur fourni par le fabricant pour recharger la batterie.**

CONSERVEZ CES INSTRUCTIONS.

Cet appareil est conçu pour un usage commercial.

Consignes de sécurité pour souffleur

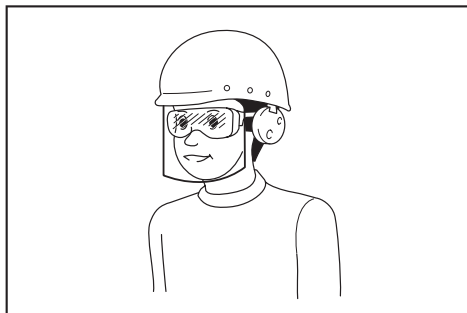
▲ MISE EN GARDE : Avant l'utilisation, veuillez lire toutes les mises en garde, instructions, illustrations et spécifications qui accompagnent cette machine, ainsi que le manuel d'instructions de l'unité d'alimentation. Ne pas suivre toutes les instructions ci-dessous peut entraîner une décharge électrique, un incendie et/ou une blessure grave à l'utilisateur et/ou aux personnes présentes.

Les termes « balai brosse / balai racleur » et « machine », dans les mises en garde et précautions, font référence à la combinaison de la fixation et de l'unité d'alimentation.

Le terme « moteur », dans les mises en garde et précautions, fait référence au moteur ou au moteur électrique de l'unité d'alimentation.

Préparatifs

1. **Portez toujours des chaussures robustes et des pantalons longs lorsque vous utilisez le souffleur.**
2. **Ne portez ni vêtements amples ni bijoux susceptibles d'être entraînés dans l'entrée d'air. Gardez les cheveux longs à l'écart des entrées d'air.**
3. **Portez toujours des lunettes à coques de protection pour protéger vos yeux contre les blessures lorsque vous utilisez la machine. Les lunettes à coques de protection doivent être conformes à ANSI Z87.1 aux États-Unis, à EN 166 en Europe, ou à AS/NZS 1336 en Australie/Nouvelle-Zélande. En Australie/Nouvelle-Zélande, la loi exige également de porter un écran facial pour se protéger le visage.**

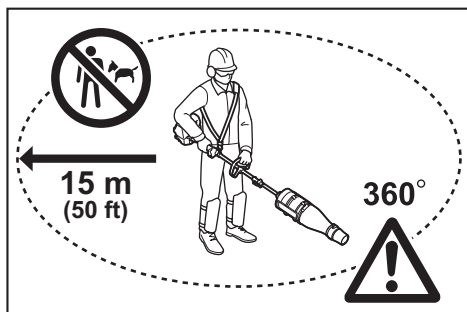


L'employeur a la responsabilité d'imposer l'utilisation d'équipements de protection de sécurité adéquats aux utilisateurs des outils et à toute autre personne se trouvant dans la zone de travail immédiate.

4. **Portez toujours une chemise à manches longues et une casquette lorsque vous utilisez le souffleur.**
5. **Le port d'un masque facial est recommandé pour prévenir l'irritation causée par les poussières.**
6. **Pendant l'utilisation de la machine, portez toujours des chaussures de protection antidérapantes. Des bottes et chaussures de sécurité antidérapantes et fermées réduiront le risque de blessure.**
7. **Restez alerte, attentif à vos mouvements et faites preuve de bon sens lorsque vous utilisez la machine. N'utilisez pas la machine si vous êtes fatigué, malade ou avez pris une drogue, de l'alcool ou un médicament. Un moment d'inattention pendant l'utilisation de la machine peut entraîner une grave blessure.**
8. **Ne démarrez et n'utilisez le moteur qu'à l'extérieur, dans une zone bien aérée.**
L'utilisation dans un espace étroit ou mal aéré peut entraîner le décès par asphyxie ou par empoisonnement au monoxyde de carbone.
9. **Portez un protège-oreilles ou autres protections pour les oreilles.** L'exposition au bruit peut entraîner des lésions de l'ouïe.
10. **Il est recommandé de porter des gants pour travailler avec le souffleur. Portez des chaussures résistantes à semelles antidérapantes.**

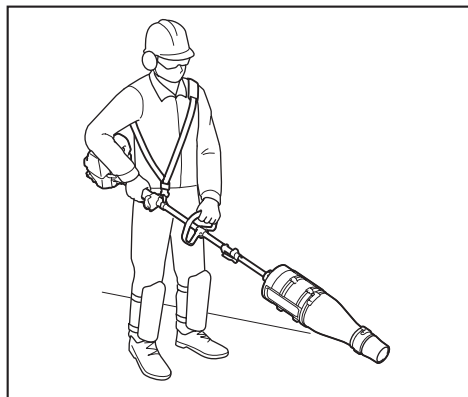
Utilisation

1. **Faites sortir de la zone les enfants, personnes présentes et animaux domestiques. Gardez tous les enfants, personnes présentes et animaux domestiques à l'extérieur d'un rayon minimum de 15 m (50 ft); à l'extérieur de cette zone de 15 m (50 ft), il y a toujours un risque de blessure par projection d'objets. Les personnes présentes devraient être incitées à porter des lunettes de protection. Si on s'approche, coupez le moteur ou arrêtez la machine.**



2. **Éteignez le souffleur, retirez la batterie ou le capuchon de bougie d'allumage, et assurez-vous de l'arrêt complet de toutes les pièces mobiles**
 - chaque fois que vous vous éloignez du souffleur.
 - avant de retirer les objets bloqués;
 - avant d'inspecter le souffleur, de le nettoyer ou de travailler dessus;
 - si le souffleur se met à vibrer de manière anormale.
3. **N'utilisez le souffleur qu'à la lumière du jour ou avec une bonne lumière artificielle.**
4. **Ne tendez pas trop les bras et maintenez en tout temps une bonne prise au sol et un bon équilibre. Gardez toutes les parties de votre corps éloignées des surfaces chaudes.**
5. **Ne soufflez jamais les débris vers les personnes présentes.**
6. **Utilisez le souffleur avec la posture recommandée et sur une surface ferme.**
7. **Pendant l'utilisation du souffleur, ne pointez jamais la buse vers une personne se trouvant à proximité.**
8. **Ne bloquez jamais l'entrée d'aspiration et/ou la sortie de souffleur.**
 - Prenez garde de bloquer l'entrée d'aspiration ou la sortie de souffleur avec des poussières ou saletés lors de l'utilisation dans une zone poussiéreuse.
 - N'utilisez pas d'autres buses que celles fournies par Makita.
 - N'utilisez pas le souffleur pour gonfler des ballons, des canots pneumatiques ou objets similaires.
9. **N'utilisez pas le souffleur près des fenêtres ouvertes, etc.**
10. **Il est recommandé de n'utiliser le souffleur qu'à des heures raisonnables - pas tôt le matin ou tard le soir, lorsque les gens pourraient être dérangés. Respectez les heures indiquées dans les ordonnances locales.**
11. **Il est recommandé d'utiliser des râtaeux et des balais pour dégager les débris avant de souffler.**
12. **Si le souffleur heurte un corps étranger ou commence à émettre des bruits ou vibrations inhabituels, éteignez immédiatement le souffleur pour l'arrêter. Retirez la batterie ou le capuchon de bougie d'allumage du souffleur, et inspectez le souffleur pour vous assurer de l'absence de dommages avant de le redémarrer et de l'utiliser. Si le souffleur est endommagé, demandez à votre centre de service après-vente Makita agréé de le réparer.**
13. **N'insérez ni les doigts ni aucun objet dans l'entrée d'aspiration ou dans la sortie de souffleur.**
14. **Prévenez le démarrage accidentel. Assurez-vous que l'interrupteur est en position d'arrêt avant d'insérer la batterie et avant de saisir ou de transporter le souffleur. Transporter le souffleur avec le doigt sur l'interrupteur ou le mettre sous tension alors que son interrupteur est en position de marche ouvre la porte aux accidents.**
15. **Ne soufflez jamais des matériaux dangereux, tels que des clous, des fragments de verre ou des lames.**
16. **N'utilisez pas le souffleur près de matériaux inflammables.**
17. **Évitez d'utiliser le souffleur pendant une période prolongée dans un environnement à basse température.**
18. **Avant d'assembler ou de régler la machine, coupez le moteur et retirez le capuchon de bougie d'allumage ou la batterie.**
19. **Portez les équipements de protection personnelle avant de démarrer le moteur.**
20. **Avant de démarrer le moteur, inspectez la machine pour vous assurer de l'absence de dommages, de vis/écrous desserrés ou de pièces mal assemblées. Vérifiez s'il y a des fuites de carburant. Vérifiez le fonctionnement fluide des leviers de commande et des commutateurs. Nettoyez et essuyez les poignées.**
21. **N'essayez jamais de démarrer le moteur si la machine est endommagée ou si elle n'est pas complètement assemblée avec les protecteurs, plaques ou autres dispositifs protecteurs de sécurité appropriés. Autrement, il y a risque de grave blessure.**
22. **Ajustez la sangle d'épaule et la poignée en fonction de votre taille.**
23. **Lors du démarrage du moteur, placez la machine sur un sol ferme, puis maintenez un bon équilibre et une bonne assise.**
24. **Lorsque vous tirez sur la poignée de démarreur du moteur, maintenez fermement l'unité d'alimentation contre le sol avec la main gauche. Ne marchez jamais sur l'arbre d'entraînement de l'unité d'alimentation.**
25. **Coupez immédiatement le moteur si vous constatez toute défectuosité.**
26. **Pour démarrer le moteur, reportez-vous au manuel d'instructions de l'unité d'alimentation.**

27. Fixez la sangle d'épaule pendant que le moteur ne tourne qu'au ralenti.
28. Pendant l'exécution du travail, utilisez la sangle d'épaule. Maintenez fermement la machine sur votre droite.



29. Que vous soyez droitier ou gaucher, tenez la poignée avant de la main gauche et la poignée arrière de la main droite. Enveloppez les poignées de vos doigts et pouces.
30. N'essayez jamais d'utiliser la machine d'une seule main. La perte de contrôle peut entraîner une blessure grave, voire fatale. Pour réduire le risque de blessures, gardez les mains et pieds à l'écart des brosses ou des tambours de raclage.
31. Si la machine subit un choc violent ou tombe, vérifiez son état avant de poursuivre le travail. Vérifiez l'absence de fuite de carburant sur le circuit de carburant, et l'absence de dysfonctionnements sur les commandes et les dispositifs de sécurité. Si vous constatez ou soupçonnez tout dommage, demandez à un centre de service après-vente agréé d'effectuer l'inspection et la réparation.
32. Suivez les instructions du mode d'emploi de l'unité d'alimentation pour utiliser adéquatement le levier de commande et le commutateur.
33. Pendant ou après l'utilisation, ne mettez pas la machine chaude sur de l'herbe sèche ou des matériaux combustibles.
34. Reportez-vous au manuel d'instructions de l'unité d'alimentation au sujet de la façon de démarrer et de commander la machine.
35. Utilisez le souffleur au régime moteur le plus bas possible pour effectuer le travail.

36. Réglez la longueur de la buse du souffleur de sorte que le jet d'air puisse agir près du sol.
37. Ne montez pas sur une échelle ou autre emplacement élevé pour faire le travail. Autrement vous risquez de vous blesser.
38. Lors de l'utilisation de l'appareil, évitez de souffler les débris vers des personnes, des animaux domestiques, des fenêtres ouvertes ou des automobiles.
39. Avant d'utiliser le souffleur, humectez les surfaces dans des conditions poussiéreuses ou utilisez un atomiseur d'eau si nécessaire.
40. Économisez l'eau en utilisant le souffleur plutôt qu'un boyau d'eau pour diverses applications de pelouses et jardins, y compris dans les zones de gouttières, moustiquaires, patios, grilles, vérandas et jardins.
41. Pour réduire le niveau sonore, limitez le nombre d'appareils utilisés en même temps.
42. Après l'utilisation des souffleurs et autres appareils, NETTOYEZ-LES ! Jetez les débris dans des contenants à déchets.

Ravitaillement en carburant

1. Coupez le moteur avant d'effectuer le ravitaillement en carburant. Restez à l'écart des flammes nues et des étincelles. Ne fumez jamais en effectuant le ravitaillement en carburant. Autrement, cela peut entraîner un incendie et/ou une explosion.
2. Effectuez le ravitaillement en carburant à l'extérieur. Le ravitaillement en carburant dans une pièce fermée peut entraîner l'explosion des vapeurs de carburant.
3. Évitez de toucher le carburant ou l'huile à moteur. Ne respirez pas les vapeurs de carburant. Si vous renversez du carburant ou de l'huile, essuyez immédiatement la machine et/ou le sol. Si du carburant est renversé sur vos vêtements, changez-vous immédiatement pour éviter qu'ils ne prennent feu.
4. Après le ravitaillement en carburant, serrez soigneusement le bouchon du réservoir à carburant et vérifiez s'il y a des fuites de carburant. Avant de faire démarrer le moteur, déplacez-vous à au moins 3 m (10 pieds) de la source et du lieu de ravitaillement.
5. Ne transportez et ne rangez le carburant que dans des contenants approuvés. Gardez les enfants à l'écart du carburant rangé.

Transport

1. **Coupez le moteur pendant le transport.** Autrement, un démarrage accidentel pourrait entraîner une blessure.
2. **Assurez-vous que la machine est placée de manière sécuritaire lors de son transport par véhicule, pour éviter les fuites de carburant.**
3. **Lorsque vous transportez la machine, soulevez-la complètement du sol.** Traîner la machine peut endommager le réservoir à carburant et provoquer une fuite de carburant qui risque d'entraîner un incendie.
4. **Lors du transport de l'équipement, transportez-le à l'horizontale et en tenant l'arbre. Gardez le silencieux chaud à l'écart de votre corps.**

Vibrations

1. **L'exposition à des vibrations excessives peut affecter les vaisseaux sanguins ou le système nerveux de l'utilisateur, et entraîner les symptômes suivants aux doigts, aux mains ou aux poignets : Somnolence (engourdissement), picotement, douleur, douleur lancinante, altération de la couleur de la peau ou de la peau elle-même.** Si l'un ou l'autre de ces symptômes se manifeste, consultez un médecin. **Pour réduire le risque de « maladie du doigt mort », gardez les mains au chaud pendant l'utilisation et entretenez bien la machine et les accessoires.**

Entretien et remisage

1. **Assurez-vous que tous les écrous, boulons et vis sont bien serrés pour garantir un fonctionnement sécuritaire du souffleur.**
2. **Si des pièces sont usées ou endommagées, remplacez-les avec des pièces fournies par Makita.**
3. **Remisez le souffleur dans un endroit sec, hors de la portée des enfants.**
4. **Lorsque vous arrêtez le souffleur pour inspection, réparation, remisage ou changement d'accessoire, éteignez-le et assurez-vous que toutes les pièces mobiles s'arrêtent complètement, et retirez la batterie ou le capuchon de bougie d'allumage. Laissez refroidir le souffleur avant d'effectuer tout travail dessus. Entretenez soigneusement le souffleur et gardez-le propre.**
5. **Laissez toujours refroidir le souffleur avant de le remiser.**
6. **Lorsque vous soulevez le souffleur, veillez à plier les genoux et prenez garde de vous blesser au dos.**

7. **Pour réduire le risque d'incendie, ne faites jamais l'entretien de l'équipement près d'un feu.**
8. **Enlevez toujours les poussières et saletés sur l'équipement. Pour cela, n'utilisez jamais d'essence, de benzine, de diluant, d'alcool, etc.** Cela risquerait de causer la décoloration, la déformation ou la fissuration des composants de plastique.
9. **Après chaque utilisation, serrez toutes les vis et tous les écrous, à l'exception des vis de réglage du carburateur.**
10. **Ne tentez aucun travail d'entretien ou de réparation non décrit dans cette brochure ou dans le mode d'emploi de l'unité d'alimentation. Demandez à un centre de service après-vente agréé d'effectuer ce travail.**
11. **Suivez les instructions concernant le graissage et le remplacement des accessoires.**
12. **Utilisez toujours exclusivement des pièces de rechange et accessoires d'origine.** L'utilisation de pièces ou d'accessoires d'un autre fabricant peut entraîner une panne d'équipement, des dommages matériels et/ou une grave blessure.
13. **Demandez régulièrement à notre service après-vente agréé d'effectuer l'inspection et l'entretien de la machine.**
14. **Avant de ranger la machine, effectuez son nettoyage et son entretien complets. Retirez le capuchon de bougie d'allumage ou la batterie. Vidangez le carburant après le refroidissement du moteur.**
15. **N'appuyez pas l'équipement contre un mur ou un objet.** Autrement il risque de tomber soudainement et d'entraîner une blessure.

Utilisation et entretien de l'outil à batterie

1. **Prévenez le démarrage accidentel. Assurez-vous que l'interrupteur est en position d'arrêt avant de connecter la machine à la batterie, de la saisir ou de la transporter.** Transporter la machine avec le doigt sur l'interrupteur ou la mettre sous tension alors que son interrupteur est en position de marche ouvre la porte aux accidents.
2. **Retirez la batterie de la machine avant de procéder à des réglages, au remplacement d'accessoires ou au rangement de la machine.** De telles mesures de sécurité préventives réduisent le risque de démarrage accidentel de la machine.
3. **Ne la rechargez qu'avec le chargeur spécifié par le fabricant.** Un chargeur conçu pour un certain type de batterie risque de déclencher un incendie s'il est utilisé avec une autre batterie.

4. **N'utilisez les machines qu'avec leurs batteries spécifiques.** Les autres batteries risqueraient de vous blesser ou de provoquer un incendie.
5. **Lorsque la batterie n'est pas utilisée, tenez-la à distance des objets métalliques tels que trombones, pièces de monnaie, clés, clous, vis ou autres petits objets métalliques, conducteurs potentiels entre une borne et une autre.** Un court-circuit entre les bornes de la batterie peut provoquer des brûlures ou un incendie.
6. **Dans des conditions d'utilisation inadéquates de la batterie, il peut y avoir fuite d'électrolyte; évitez tout contact. En cas de contact accidentel, rincez avec beaucoup d'eau. Si du liquide entre en contact avec les yeux, consultez un médecin.** Le liquide qui gicle de la batterie peut provoquer des irritations ou des brûlures.
7. **N'utilisez pas une batterie ou une machine endommagée ou modifiée. Les batteries endommagées ou modifiées peuvent se comporter de manière imprévisible et entraîner un incendie, une explosion ou un risque de blessure.**
8. **N'exposez pas une batterie ou une machine au feu ou à une température excessive. L'exposition au feu ou à une température supérieure à 130 °C (265 °F) peut provoquer une explosion.**
9. **Suivez toutes les instructions de charge et ne chargez pas la batterie ou la machine à l'extérieur de la plage de température spécifiée dans les instructions.** Effectuer la charge de manière inadéquate ou à une température hors de la plage spécifiée peut endommager la batterie et faire augmenter le risque d'incendie.
10. **L'entretien doit être confié à un réparateur qualifié et n'utilisant que des pièces de rechange identiques aux pièces d'origine.** Cela assurera le maintien du produit dans un état sécuritaire.
11. **Ne modifiez pas et n'essayez pas de réparer la machine ou la batterie autrement que tel qu'indiqué dans les instructions d'utilisation et d'entretien.**

Consignes de sécurité concernant l'alimentation électrique et la batterie

1. **Ne jetez pas la/les batterie(s) au feu.** L'élément pourrait exploser. Vérifiez la réglementation de votre région pour savoir s'il existe des directives particulières sur l'élimination.

2. **N'ouvrez pas et n'endommagez pas la/les batterie(s).** L'électrolyte qui s'échappe est corrosif et peut provoquer des dommages aux yeux ou à la peau. Il peut être toxique s'il est ingéré.
3. **Ne chargez pas la batterie sous la pluie ou dans les emplacements humides.**
4. **Ne chargez pas la batterie à l'extérieur.**
5. **Ne manipulez pas le chargeur, y compris sa fiche et ses bornes, avec les mains mouillées.**

Réparation

1. **Faites réparer votre outil électrique par un réparateur qualifié qui utilise des pièces de rechange identiques aux pièces d'origine.** Le maintien de la sûreté de l'outil électrique sera ainsi assuré.
2. **N'essayez jamais de réparer les batteries endommagées.** La réparation des batteries ne doit être effectuée que par le fabricant ou par un fournisseur de service après-vente agréé.

Premiers soins

1. **Veillez à toujours disposer d'une trousse de premiers soins à portée de la main, en cas d'accident. Remplacez immédiatement tout élément utilisé de la trousse de premiers soins.**
2. **Lorsque vous demandez de l'aide, donnez les renseignements suivants :**
 - Lieu de l'accident
 - Ce qui s'est produit
 - Nombre de blessés
 - Types de blessure
 - Votre nom

CONSERVEZ CES INSTRUCTIONS.

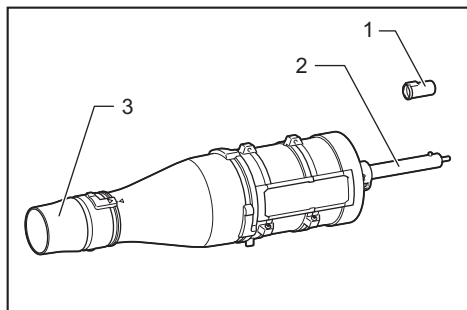
⚠ MISE EN GARDE : NE vous laissez PAS tromper (au fil d'une utilisation répétée) par un sentiment d'aisance ou de familiarité avec le produit en négligeant les consignes de sécurité qui accompagnent le produit.

UNE UTILISATION INCORRECTE ou le non-respect des règles de sécurité énoncées dans le présent manuel d'instructions peut provoquer des blessures graves.

⚠ MISE EN GARDE : L'utilisation de ce produit peut générer des poussières contenant des substances chimiques, lesquelles peuvent causer des problèmes respiratoires ou autres maladies. Parmi ces substances chimiques figurent les composés que l'on retrouve dans les pesticides, insecticides, fertilisants et herbicides.

Les risques liés à l'exposition varient suivant la fréquence d'exécution du type de travail en question. Pour réduire votre exposition à ces substances chimiques : travaillez dans un emplacement bien aéré et avec des dispositifs de sécurité approuvés, tels que les masques antipoussières spécialement conçus pour filtrer les particules microscopiques.

DESCRIPTION DES PIÈCES



► 1. Capuchon 2. Tube 3. Buse avant

ASSEMBLAGE

⚠ MISE EN GARDE : Avant d'assembler ou de régler l'équipement, coupez le moteur et retirez le capuchon de bougie d'allumage ou la batterie. Autrement, les ventilateurs risquent de bouger et d'entraîner une blessure.

⚠ MISE EN GARDE : Déposez toujours l'équipement avant de l'assembler ou de le régler. Assembler ou régler l'équipement en le laissant debout peut entraîner une grave blessure.

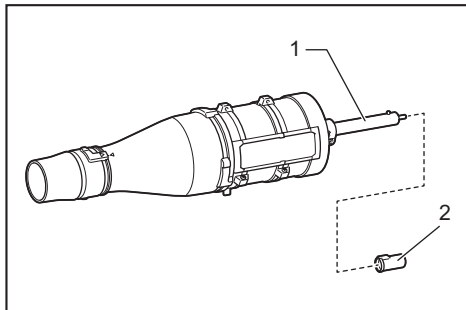
⚠ MISE EN GARDE : Respectez les mises en garde et prenez les précautions du chapitre « CONSIGNES DE SÉCURITÉ » et du manuel d'instructions de l'unité d'alimentation.

Montage du tube de fixation

⚠ ATTENTION : Après la pose, assurez-vous toujours que le tube de fixation est bien fixé. En cas de pose incorrecte, la fixation risque de se détacher de l'unité d'alimentation et d'entraîner une blessure.

Montez le tube de fixation sur le groupe moteur.

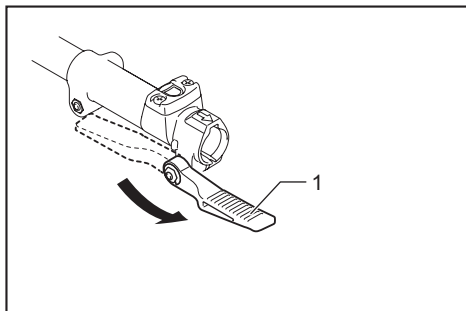
1. Retirez le capuchon, à l'extrémité du tube.



► 1. Tube 2. Capuchon

AVIS : Ne jetez pas le capuchon, car il est nécessaire pour remiser l'accessoire.

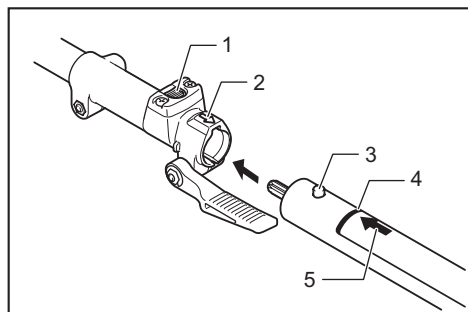
2. Tournez le levier vers la fixation.



► 1. Levier

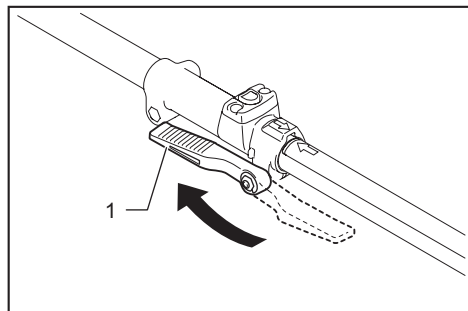
3. Alignez la broche sur la marque de flèche de l'unité d'alimentation. Insérez le tube jusqu'à ce que le bouton de libération surgisse.

Assurez-vous que la ligne de positionnement est à l'extrémité de la marque de flèche de l'unité d'alimentation, et que la marque de flèche de l'unité d'alimentation et la marque de flèche du tube sont face à face.



► 1. Bouton de libération 2. Marque de flèche de l'unité d'alimentation 3. Broche 4. Ligne de positionnement 5. Marque de flèche du tube

4. Tournez le levier vers l'unité d'alimentation.

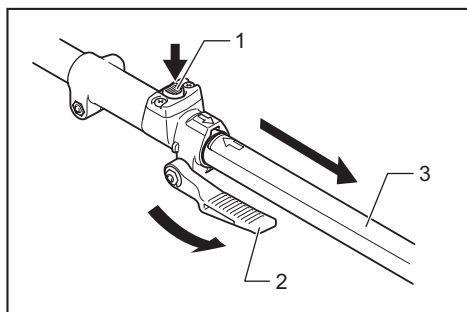


► 1. Levier

Assurez-vous que la surface du levier est parallèle au tube.

AVIS : Ne serrez pas le levier sans avoir inséré le tube de fixation. Autrement, le levier risque de trop serrer l'entrée de l'arbre d'entraînement et de l'endommager.

Pour retirer le tube, tournez le levier vers la fixation et tirez sur le tube tout en enfonçant le bouton de libération.

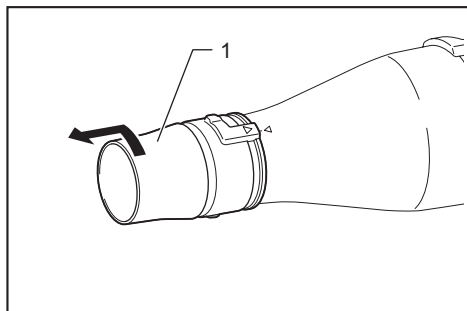


► 1. Bouton de libération 2. Levier 3. Tube

Pose de la buse plate ou de la buse de rallonge

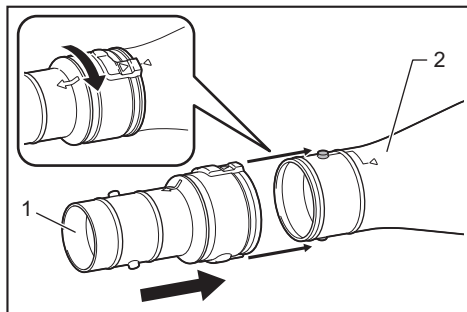
Accessoire en option

1. Retirez la buse avant en la tournant tel qu'indiqué sur la figure.



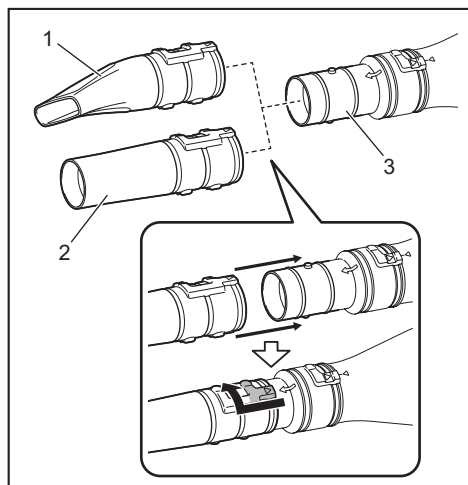
► 1. Buse avant

2. Fixez le tuyau adaptateur à l'accessoire, puis tournez-le pour le verrouiller en place.



► 1. Tuyau adaptateur 2. Accessoire

3. Fixez la buse plate ou la buse de rallonge au tuyau adaptateur, puis tournez-la pour la verrouiller en place.



- 1. Embout plat 2. Rallonge d'embout
3. Tuyau adaptateur

AVIS : Les rainures du côté profond de la buse plate ou de la buse de rallonge ne sont pas disponibles. Veillez à utiliser les rainures indiquées sur la figure pour fixer la buse plate ou la buse de rallonge.

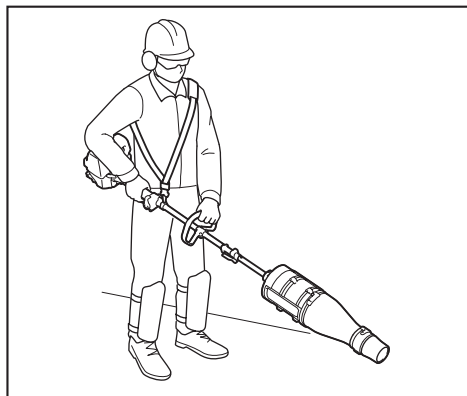
UTILISATION

⚠ MISE EN GARDE : Respectez les mises en garde et prenez les précautions du chapitre « CONSIGNES DE SÉCURITÉ » et du manuel d'instructions de l'unité d'alimentation.

⚠ MISE EN GARDE : Avant l'utilisation, ajustez l'attache et la sangle d'épaule sur une position confortable.

⚠ ATTENTION : Ne mettez pas la machine sur le sol pendant qu'elle est allumée. Du sable ou des poussières peuvent pénétrer par l'entrée d'aspiration et provoquer un dysfonctionnement ou des blessures.

Tenez fermement la machine à deux mains et effectuez le soufflage en la déplaçant lentement. Lorsque vous soufflez autour d'un bâtiment, d'une grosse pierre ou d'un véhicule, ne pointez pas la buse vers ces derniers. Lorsque vous travaillez dans un coin, commencez par le coin puis passez à la zone large. Réglez la vitesse de l'air à l'aide de la gâchette ou du levier d'accélérateur de l'unité d'alimentation en fonction de l'environnement ou des conditions d'utilisation.



ENTRETIEN

⚠ MISE EN GARDE : Avant de procéder à l'inspection ou à l'entretien de l'équipement, coupez le moteur et retirez la batterie, ou coupez le moteur et retirez le capuchon de bougie d'allumage. Autrement, les ventilateurs risquent de bouger et d'entraîner une grave blessure.

⚠ MISE EN GARDE : Déposez toujours l'équipement avant de procéder à l'inspection ou l'entretien. Assembler ou régler l'équipement en le laissant debout peut entraîner une grave blessure.

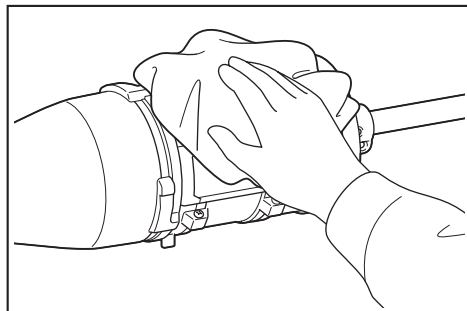
⚠ MISE EN GARDE : Respectez les mises en garde et prenez les précautions du chapitre « CONSIGNES DE SÉCURITÉ » et du manuel d'instructions de l'unité d'alimentation.

AVIS : N'utilisez jamais d'essence, de benzène, de solvant, d'alcool ou autres produits similaires. Une décoloration, une déformation ou la formation de fissures peuvent en découler.

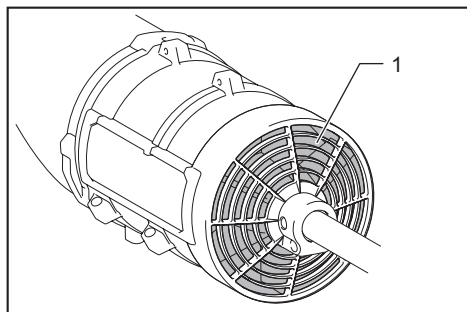
Pour maintenir la SÉCURITÉ et la FIABILITÉ du produit, les réparations et tout autre travail d'entretien ou de réglage doivent être effectués dans un centre de service après-vente autorisé ou une usine Makita, exclusivement avec des pièces de rechange Makita.

Nettoyage de la machine

Nettoyez la machine en essuyant les poussières avec un linge sec ou trempé dans une eau savonneuse et essoré.



Retirez les poussières ou saletés de l'entrée d'aspiration à l'arrière de l'accessoire.



► 1. Entrée d'aspiration

Inspection générale

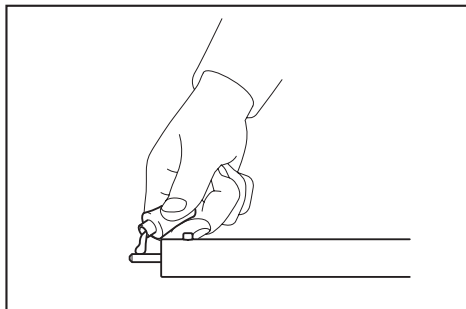
Vérifiez s'il y a des pièces endommagées. Si nécessaire, demandez à un centre de service après-vente agréé de les remplacer.

Lubrification des pièces mobiles

AVIS : Suivez les instructions relatives à la fréquence et à la quantité de graisse fournie. Sinon, une lubrification insuffisante peut endommager les pièces mobiles.

Axe d'entraînement :

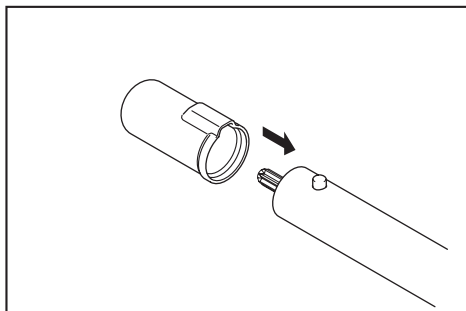
Appliquez de la graisse (graisse Makita N No.2 ou équivalente) toutes les 30 heures d'utilisation.



NOTE : Vous pouvez vous procurer de la graisse Makita authentique chez votre détaillant Makita local.

Rangement

Lorsque vous rangez l'accessoire séparément de l'unité d'alimentation, mettez le capuchon sur l'extrémité du tube.



Intervalle d'inspection et de maintenance

Heures d'utilisation		Avant l'utilisation	Quotidien (10 heures)	30 heures
Toute l'unité	Inspectez visuellement les pièces endommagées.	✓	-	-
Axe d'entraînement	Graissez.	-	-	✓
Unité d'alimentation	Reportez-vous au manuel d'instructions de l'unité d'alimentation.			

DÉPANNAGE

Avant de faire une demande de réparation, faites d'abord votre propre inspection. Si vous rencontrez un problème non indiqué dans ce manuel, n'essayez pas de démonter la machine. Demandez plutôt à un centre de service après-vente Makita agréé de faire la réparation avec des pièces de rechange Makita.

État anormal	Cause probable (dysfonctionnement)	Solution
Le moteur ne démarre pas.	-	Reportez-vous au manuel d'instructions de l'unité d'alimentation.
Le moteur s'arrête peu après le démarrage.	-	Reportez-vous au manuel d'instructions de l'unité d'alimentation.
Le moteur n'accélère pas.	-	Reportez-vous au manuel d'instructions de l'unité d'alimentation.
Les ventilateurs ne tournent pas. ⇒ Coupez immédiatement le moteur.	Les tubes de l'unité d'alimentation et de la fixation ne sont pas bien connectés.	Connectez les tubes correctement.
	Système d'entraînement anormal	Contactez un centre de service après-vente agréé pour faire réparer.
L'unité d'alimentation vibre de manière anormale. ⇒ Coupez immédiatement le moteur.	Système d'entraînement anormal	Contactez un centre de service après-vente agréé pour faire réparer.
Les ventilateurs continuent de tourner même après la libération de la gâchette ou du levier. ⇒ Coupez immédiatement le moteur.	L'unité d'alimentation ne fonctionne pas bien.	Ajustez la vitesse de ralenti si l'unité d'alimentation est actionnée par un moteur à essence. Contactez un centre de service après-vente agréé pour faire réparer.

ACCESSOIRES EN OPTION

⚠ ATTENTION : Ces accessoires ou pièces complémentaires sont recommandés pour l'utilisation avec la machine Makita spécifiée dans ce manuel. L'utilisation de tout autre accessoire ou pièce complémentaire peut comporter un risque de blessure. N'utilisez les accessoires ou pièces complémentaires qu'aux fins auxquelles ils ont été conçus.

Si vous désirez obtenir plus de détails sur ces accessoires, veuillez contacter le centre de service après-vente Makita le plus près.

- Tuyau adaptateur
- Rallonge d'embout
- Embout plat
- Kit de buse pour gouttière
- Chargeur et batterie authentiques Makita

NOTE : Certains éléments de la liste peuvent être inclus dans l'emballage du produit comme accessoires standard. Ils peuvent varier d'un pays à l'autre.

CONTENIDO

ESPECIFICACIONES.....	25	OPERACIÓN	33
ADVERTENCIAS DE SEGURIDAD	26	MANTENIMIENTO.....	34
DESCRIPCIÓN DE LAS PIEZAS	31	RESOLUCIÓN DE PROBLEMAS	36
MONTAJE.....	31	ACCESORIOS OPCIONALES.....	36

ESPECIFICACIONES

Modelo:		UB400MP
Capacidades *1	Volumen de aire	0 m ³ /min - 14,8 m ³ /min (0 cu.ft./min - 523 cu.ft./min)
	Velocidad del aire (promedio)	0 m/s - 49,1 m/s (0 MPH - 110 MPH)
	Velocidad del aire (máx.)	0 m/s - 59,0 m/s (0 MPH - 132 MPH)
Capacidades *2	Volumen de aire	0 m ³ /min - 12,6 m ³ /min (0 cu.ft./min - 445 cu.ft./min)
	Velocidad del aire (promedio)	0 m/s - 41,8 m/s (0 MPH - 94 MPH)
	Velocidad del aire (máx.)	0 m/s - 50,3 m/s (0 MPH - 113 MPH)
Capacidades *3	Volumen de aire	0 m ³ /min - 15,8 m ³ /min (0 cu.ft./min - 558 cu.ft./min)
	Velocidad del aire (promedio)	0 m/s - 52,4 m/s (0 MPH - 117 MPH)
	Velocidad del aire (máx.)	0 m/s - 63,0 m/s (0 MPH - 141 MPH)
Capacidades *4	Volumen de aire	0 m ³ /min - 14,6 m ³ /min (0 cu.ft./min - 516 cu.ft./min)
	Velocidad del aire (promedio)	0 m/s - 50,3 m/s (0 MPH - 113 MPH)
	Velocidad del aire (máx.)	0 m/s - 60,4 m/s (0 MPH - 135 MPH)
Longitud total		810 mm (32")
Peso neto		1,7 kg (3,8 lbs)

*1. Capacidades del aditamento para sopladora junto con la Herramienta Multifuncional Inalámbrica DUX60

*2. Capacidades del aditamento para sopladora junto con la Herramienta Multifuncional Inalámbrica DUX18

*3. Capacidades del aditamento para sopladora junto con la Herramienta Multifuncional Inalámbrica UX01G (con la batería BL4040)

*4. Capacidades del aditamento para sopladora junto con la Herramienta Multifuncional EX2650LH

- Debido a nuestro programa continuo de investigación y desarrollo, las especificaciones aquí dadas están sujetas a cambios sin previo aviso.
- Las especificaciones pueden variar de país a país.

Unidad motorizada aprobada

Este accesorio está aprobado para usarse únicamente con la(s) siguiente(s) unidad(es) motorizada(s):

- Herramienta Multifuncional Inalámbrica DUX60, DUX18, UX01G
- Herramienta Multifuncional EX2650LH

⚠ ADVERTENCIA: Nunca utilice el accesorio con una unidad motorizada no aprobada. Una combinación no aprobada podría causar lesiones graves.

Símbolos

A continuación se muestran los símbolos que pueden ser utilizados para el equipo. Asegúrese de que entiende su significado antes de utilizar.



Ponga especial atención y tenga cuidado.



Lea el manual de instrucciones.



Mantenga las manos alejadas de las piezas giratorias.



Mantenga alejadas a las personas en los alrededores.



Lleve protección en ojos y oídos.



El cabello largo puede enredarse provocando un accidente.



Mantenga por lo menos 15 m (50 ft) de distancia.

Uso pretendido

Este aditamento ha sido diseñado exclusivamente con la finalidad de soplar el polvo junto con una unidad motorizada aprobada. Nunca use el aditamento para ningún otro propósito. Hacer un mal uso del aditamento puede causar lesiones graves.

ADVERTENCIAS DE SEGURIDAD

INSTRUCCIONES IMPORTANTES DE SEGURIDAD

Al usar cualquier aparato eléctrico, siempre deben seguirse las precauciones básicas, incluyendo las siguientes:

LEA TODAS LAS INSTRUCCIONES ANTES DE USAR EL APARATO. ADVERTENCIA: Para reducir el riesgo de incendio, descarga eléctrica o lesión:

1. No deje el aparato con la batería instalada o el capuchón de la bujía colocado. Retire la batería o el capuchón de la bujía del aparato cuando no lo vaya a utilizar y antes de dar servicio de mantenimiento.
2. No lo exponga a la lluvia. Almacénelo en interiores.
3. No permita que sea utilizado como un juguete. Preste mucha atención cuando sea utilizado por niños o cerca de ellos.
4. Utilícelo solamente como se describe en este manual. Sólo use aditamentos recomendados por el fabricante.

5. No lo utilice con la unidad motorizada dañada. Si el aparato no está funcionando como debiera, se ha dejado caer, se ha dañado, se ha dejado a la intemperie o ha caído sobre agua, llévelo a un centro de servicio.
6. No introduzca ningún objeto en las aberturas. No lo utilice con ninguna abertura bloqueada; manténgalo libre de polvo, pelusa, cabello y cualquier objeto que pueda reducir el flujo de aire.
7. Mantenga el cabello, la ropa holgada, los dedos y todas las partes del cuerpo lejos de las aberturas y piezas móviles.
8. Tenga especial cuidado cuando limpie en escaleras.
9. Utilice solamente el cargador suministrado por el fabricante para recargar.

GUARDE ESTAS INSTRUCCIONES.

Este aparato está diseñado para uso comercial.

Instrucciones de seguridad para la sopladora

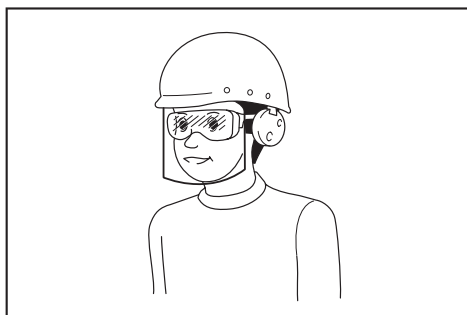
⚠️ ADVERTENCIA: Antes de usarlo, lea todas las advertencias de seguridad, instrucciones, ilustraciones y especificaciones proporcionadas con esta máquina así como el manual de instrucciones de la unidad motorizada. El no seguir todas las instrucciones indicadas abajo podría ocasionar una descarga eléctrica, incendio y/o lesiones graves tanto al operador como a las personas alrededor.

Los términos “cepillo motorizado / barredor motorizado” y “máquina” en las advertencias y precauciones hacen referencia a la combinación del accesorio y la unidad motorizada.

El término “motor” en las advertencias y precauciones hace referencia al motor o al motor eléctrico de la unidad motorizada.

Preparación

1. Siempre use calzado robusto y pantalones largos al operar la sopladora.
2. No use ropa holgada o alhajas que puedan ser jaladas hacia la entrada de aire. Mantenga el cabello largo lejos de las entradas de aire.
3. Utilice siempre gafas protectoras para proteger sus ojos de lesiones al usar la máquina. Las gafas deben cumplir con las normas ANSI Z87.1 en EUA, EN 166 en Europa, o AS/NZS 1336 en Australia y Nueva Zelanda. En Australia y Nueva Zelanda es requerido por ley usar máscara protectora para proteger su cara también.

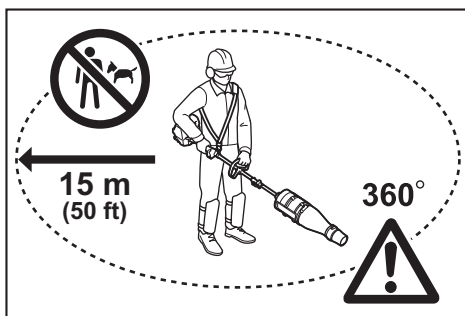


Es responsabilidad del empleador obligar a los operadores de la herramienta y demás personas en el área de trabajo inmediata a usar equipos de protección adecuados.

4. Siempre use una camisa de manga larga y una gorra cuando use la sopladora.
5. Para evitar la irritación por polvo, se recomienda el uso de una mascarilla.
6. Cuando opere la máquina use siempre calzado de protección con suela antideslizante. Los zapatos y botas de seguridad cerrados con suela antideslizante reducen el riesgo de lesiones.
7. Manténgase alerta, preste atención a lo que está haciendo y utilice su sentido común cuando opere la máquina. Nunca utilice la máquina si está cansado, se siente enfermo o está bajo la influencia de drogas, alcohol o medicamentos. Un momento de distracción mientras opera la máquina podría ocasionar lesiones personales graves.
8. Ponga en marcha y opere el motor únicamente en exteriores en un área bien ventilada. La operación en un área cerrada o con poca ventilación puede causar la muerte por asfixia o envenenamiento por monóxido de carbono.
9. Utilice protección para los oídos tal como orejeras. La exposición al ruido puede producir pérdida auditiva.
10. Se recomienda el uso de guantes cuando trabaje con la sopladora. Lleve calzado resistente con suela antideslizante.

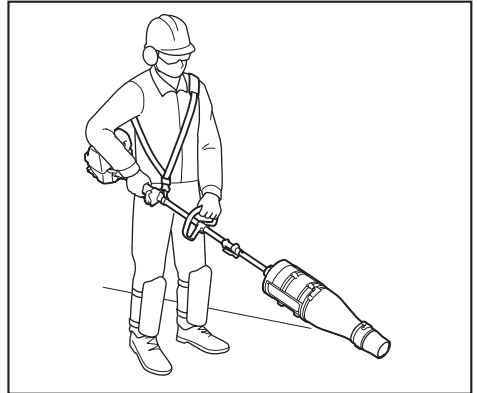
Operación

1. Despeje el área de menores, personas y mascotas alrededor. Como mínimo, mantenga a todos los menores, personas y mascotas cercanas fuera de un radio de 15 m (50 ft); todavía existe el riesgo de lesiones por objetos arrojados fuera de la zona de 15 m (50 ft). Es preferible que las personas alrededor usen protección para los ojos. Si alguien se le acerca, detenga el motor o la máquina.



2. Apague la sopladora y retire el cartucho de batería o el capuchón de la bujía y asegúrese de que todas las partes móviles se hayan detenido por completo
 - cada vez que deje la sopladora.
 - antes de despejar obstrucciones.
 - antes de revisar, limpiar o trabajar en la sopladora.
 - Si la sopladora empieza a vibrar de manera anormal.
3. Utilice la sopladora solamente a la luz del día o en buenas condiciones de iluminación artificial.
4. No use una postura forzada y mantenga el equilibrio y los pies en firme en todo momento. Mantenga todas las partes de su cuerpo alejadas de las superficies calientes.
5. Nunca sople escombros en dirección de las personas cercanas.
6. Utilice la sopladora en una posición recomendada y sobre una superficie firme.
7. Cuando utilice la sopladora, no apunte nunca la boquilla a nadie alrededor.
8. Nunca bloquee la entrada de succión o la salida de la sopladora.
 - Tenga cuidado de no bloquear la entrada de succión o la salida de la sopladora con polvo o suciedad al operar en áreas con polvo.
 - No use boquillas que no sean las proporcionadas por Makita.
 - No utilice la sopladora para inflar pelotas, botes de caucho o similares.
9. No haga funcionar la sopladora cerca de una ventana abierta, etc.
10. Se recomienda operar la sopladora solo a horas razonables, no temprano en la mañana o tarde en la noche para no molestar a las personas. Cumplir con los plazos estipulados en las leyes locales.
11. Se recomienda usar rastrillos y escobas para aflojar los residuos antes de soplar.

12. Si la sopladora golpea algún objeto extraño o comienza a hacer cualquier ruido o vibración inusual, apague la sopladora inmediatamente para detenerlo. Retire el cartucho de batería o el capuchón de la bujía de la sopladora e inspeccione la sopladora antes de volver a encenderla y ponerla en funcionamiento. Si la sopladora se daña, solicite la reparación a los centros de servicio autorizado de Makita.
13. No introduzca los dedos u otros objetos en la entrada de succión o en la salida de la sopladora.
14. Evite un arranque accidental. Asegúrese de que el interruptor esté en la posición apagada antes de insertar el cartucho de batería, levantar la sopladora o cargarla. Cargar la sopladora con su dedo en el interruptor o pasar energía a la sopladora con el interruptor encendido puede propiciar accidentes.
15. Nunca sople sobre materiales peligrosos, como clavos, fragmentos de vidrio o cuchillas.
16. No opere la sopladora cerca de materiales inflamables.
17. Evite hacer funcionar la sopladora durante mucho tiempo en ambientes de temperatura baja.
18. Antes de ensamblar o ajustar la máquina, apague el motor y retire la tapa de la bujía o el cartucho de batería.
19. Póngase el equipo de protección personal antes de arrancar el motor.
20. Antes de arrancar el motor, inspeccione la máquina para ver que no haya daños, tornillos/tuercas flojas o un ensamblado incorrecto. Verifique que no haya fugas de combustible. Verifique que todas las palancas de control e interruptores se accionen fácilmente. Limpie y seque los mangos.
21. Nunca intente arrancar el motor si la máquina está dañada o no se ha ensamblado completamente con los protectores, placas y demás dispositivos protectores de seguridad adecuados. De lo contrario, esto podría ocasionar lesiones graves.
22. Ajuste el arnés para hombro y la empuñadura de mano para adaptarlos al tamaño del cuerpo del operador.
23. Cuando vaya a arrancar el motor, coloque la máquina sobre suelo firme y luego mantenga el equilibrio pisando firmemente.
24. Al jalar la perilla del arrancador del motor, sostenga la unidad motorizada firmemente contra el suelo con su mano izquierda. Nunca se pare sobre el eje de transmisión de la unidad motorizada.
25. Detenga el motor de inmediato si observa cualquier problema con el mismo.
26. Siga el manual de instrucciones de la unidad motorizada para arrancar el motor.
27. Con el motor funcionando únicamente al ralentí, coloque el arnés para hombro.
28. Durante la operación, utilice el arnés para hombro. Mantenga la máquina de su lado derecho con firmeza.



29. Sujete el mango delantero con la mano izquierda y la empuñadura trasera con la mano derecha, sin importar si es derecho o zurdo. Rodee los mangos con sus dedos y pulgares.
30. Nunca intente operar la máquina con una mano. La pérdida de control podría ocasionar lesiones graves o fatales. Para reducir el riesgo de lesiones, mantenga manos y pies alejados de los cepillos o los rodillos de barrido.
31. Si la máquina recibe un golpe fuerte o se cae, revise su estado antes de continuar el trabajo. Verifique que el sistema de combustible no presente fugas y que los controles y dispositivos de seguridad funcionen correctamente. En caso de daños o dudas, solicite la inspección y reparación a nuestro centro de servicio autorizado.
32. Siga el manual de instrucciones de la unidad motorizada para el uso correcto de la palanca de control y el interruptor.
33. Durante o después de la operación, evite colocar la máquina caliente sobre césped seco o materiales combustibles.
34. Consulte el manual de instrucciones de la unidad motorizada para ver cómo arrancar el motor y controlar la máquina.

35. **Opere la sopladora a la velocidad más baja posible del motor para llevar a cabo el trabajo.**
36. **Ajuste la longitud de la boquilla de la sopladora, para que el flujo de aire pueda trabajar cerca del suelo.**
37. **No trabaje desde escaleras o lugares elevados. De lo contrario puede haber riesgo de lesiones personales.**
38. **Evite soplar residuos hacia personas, mascotas, ventanas abiertas o vehículos cuando esté usando la unidad.**
39. **Antes de soplar, humedezca ligeramente las superficies que contengan polvo o utilice un rociador de agua si es necesario.**
40. **Conserve el agua utilizando sopladoras en vez de mangueras para muchas aplicaciones de césped y jardín, incluyendo áreas como canaletas, rejillas, patios, rejas, pórticos y jardines.**
41. **Para reducir los niveles de ruido, procure usar las menos piezas posibles del equipo al mismo tiempo.**
42. **¡LIMPIE el área después de usar sopladoras y otros equipos! Deseche los residuos en contenedores de basura.**

Reabastecimiento

1. **Detenga el motor antes de efectuar el reabastecimiento. Manténgase alejado de las llamas expuestas y chispas. Nunca fume durante el reabastecimiento. De lo contrario podría existir riesgo de incendio y/o explosión.**
2. **Efectúe el reabastecimiento en exteriores.** Realizar el reabastecimiento en una habitación cerrada podría causar una explosión a causa del vapor de combustible.
3. **Evite el contacto con el combustible o el aceite del motor. No inhale el vapor de combustible. Si llegara a derramarse combustible o aceite, limpie la máquina y/o el suelo de inmediato. Si el combustible se derramara sobre su ropa, cámbiese inmediatamente para evitar que su ropa prenda fuego.**
4. **Después de efectuar el reabastecimiento, apriete con cuidado la tapa del tanque de combustible y verifique que no haya fugas de combustible. Aléjese a por lo menos 3 m (10 ft) de distancia tanto de la fuente como del sitio de abastecimiento antes de poner en marcha el motor.**
5. **Únicamente transporte y almacene combustible en contenedores aprobados. Mantenga a los niños alejados del lugar donde el combustible está almacenado.**

Transporte

1. **Apague el motor durante el transporte.** De lo contrario, un arranque accidental podría causar alguna lesión.
2. **Asegúrese de que la máquina esté en una posición segura cuando la transporte en un vehículo a fin de evitar fugas de combustible.**
3. **Levante la máquina por completo del suelo cuando vaya a transportarla.** Arrastrar la máquina podría provocar daños al tanque de combustible así como fugas de combustible ocasionando un incendio.
4. **Cuando transporte el equipo, cárguelo en posición horizontal sujetando el eje. Mantenga el silenciador caliente alejado de su cuerpo.**

Vibración

1. **La exposición a una vibración excesiva podría dañar los vasos sanguíneos o el sistema nervioso del operador y causar los siguientes síntomas en dedos, manos o muñecas: “Adormecimiento” (entumecimiento), hormigueo, dolor, sensaciones de punzadas, alteraciones en la piel o en el color de ésta. Si cualquiera de estos síntomas se presenta, consulte a un médico.**

Para reducir el riesgo de la “enfermedad del dedo blanco”, conserve sus manos calientes durante la operación y mantenga el equipo y accesorios en buenas condiciones.

Mantenimiento y almacenamiento

1. **Mantenga apretados todos los tuercas, pernos y tornillos para asegurar que la sopladora se encuentre en condiciones seguras de operación.**
2. **Si las piezas están desgastadas o dañadas, reemplácelas con piezas proporcionadas por Makita.**
3. **Guarde la sopladora en un lugar seco fuera del alcance de los niños.**
4. **Cuando detenga la sopladora para inspeccionarla, repararla, almacenarla o cambiarle un accesorio, apáguela y asegúrese de que todas las partes en movimiento se detengan por completo y retire el cartucho de batería o el capuchón de la bujía. Enfríe la sopladora antes de realizar cualquier trabajo en la misma. Mantenga la sopladora con cuidado y manténgala limpia.**
5. **Siempre permita que la sopladora se enfríe antes de almacenarla.**
6. **Cuando levante la sopladora, asegúrese de doblar las rodillas y tenga cuidado de no lastimarse la espalda.**

7. **Para reducir el riesgo de incendio, nunca dé servicio al equipo cerca del fuego.**
8. **Limpie siempre el polvo y la suciedad del equipo. Nunca utilice gasolina, bencina, disolvente, alcohol o sustancias similares para ese propósito.** Esto podría ocasionar decoloración, deformación o grietas en los componentes de plástico.
9. **Después de cada uso, apriete todos los tornillos y tuercas, excepto los tornillos de ajuste del carburador.**
10. **No intente realizar ningún tipo de mantenimiento o reparación que no esté descrito en este folleto o en el manual de instrucciones de la unidad motorizada. Solicite este tipo de trabajo a nuestro centro de servicio autorizado.**
11. **Siga las instrucciones para la lubricación y el cambio de los accesorios.**
12. **Siempre utilice únicamente piezas de repuesto y accesorios originales.** El uso de piezas o accesorios suministrados por un tercero podría provocar fallas en el equipo, daños materiales y/o lesiones graves.
13. **Solicite a nuestro centro de servicio autorizado que inspeccione y dé mantenimiento a la máquina de manera periódica.**
14. **Antes de almacenar la máquina, realice una limpieza completa y déle mantenimiento. Retire la tapa de la bujía o el cartucho de batería. Drene el combustible una vez que el motor se haya enfriado.**
15. **No apoye el equipo contra algún objeto, tal como una pared.** De lo contrario, podría caer repentinamente y causar una lesión.

Uso y cuidado de la herramienta a batería

1. **Evite una puesta en marcha accidental. Asegúrese de que el interruptor esté en la posición apagada antes de conectar el paquete de baterías, levantar la herramienta o cargarla.** Cargar la herramienta con su dedo en el interruptor o pasar energía a la herramienta con el interruptor encendido puede propiciar accidentes.
2. **Desconecte el paquete de baterías de la herramienta antes de hacer cualquier ajuste, cambiar accesorios o almacenar la herramienta.** Estas medidas de seguridad preventivas reducen el riesgo de poner en marcha la herramienta accidentalmente.
3. **Recargue sólo con el cargador especificado por el fabricante.** Un cargador que sea adecuado para un tipo específico de paquete de batería puede generar un riesgo de incendio al usarse con un paquete de batería distinto.
4. **Use las herramientas únicamente con los paquetes de baterías designados específicamente para ellas.** El uso de otros paquetes de baterías puede generar riesgo de lesiones e incendio.

5. **Cuando no se esté usando el paquete de batería, manténgalo alejado de otros objetos metálicos, como sujetapapeles (clips), monedas, llaves, clavos, tornillos u otros objetos pequeños de metal que puedan crear una conexión entre una terminal y otra.** Causar un cortocircuito en las terminales de la batería puede provocar quemaduras o incendio.
6. **En condiciones de mal uso, podría escapar líquido de la batería; evite el contacto.** Si toca el líquido accidentalmente, enjuague con agua. Si hay contacto del líquido con los ojos, solicite atención médica. El líquido expulsado de la batería puede causar irritación o quemaduras.
7. **No utilice un paquete de baterías o una herramienta que esté dañado/dañada o haya sido modificado/modificada.** Las baterías dañadas o modificadas podrían comportarse de manera impredecible causando un incendio, explosión o riesgo de lesión.
8. **No exponga un paquete de baterías o una herramienta al fuego o a una temperatura excesiva.** La exposición al fuego a una temperatura superior a 130 °C (265 °F) podría causar una explosión.
9. **Siga todas las instrucciones relativas a la carga y no cargue el paquete de baterías o la herramienta fuera del rango de temperatura especificado en las instrucciones.** Cargar de manera inapropiada o a temperaturas fuera del rango especificado podría dañar la batería e incrementar el riesgo de incendio.
10. **Pida que el servicio lo realice un técnico en reparaciones calificado y que utilice únicamente piezas de repuesto idénticas a las originales.** Esto garantizará que se mantenga la seguridad del producto.
11. **No modifique ni intente reparar la herramienta ni el paquete de baterías salvo como se indique en las instrucciones para el uso y cuidado.**

Seguridad eléctrica y de la batería

1. **No arroje la(s) batería(s) al fuego.** La celda podría explotar. Consulte los códigos locales para ver si hay instrucciones especiales relativas al desecho.
2. **No abra ni dañe la(s) batería(s).** Los electrolitos liberados son corrosivos y pueden ocasionar daños en los ojos o la piel. Pueden ser tóxicos si se llegan a tragar.
3. **No cargue la batería bajo la lluvia ni en lugares mojados.**
4. **No cargue la batería en exteriores.**
5. **No manipule el cargador, incluida la la clavija del cargador, ni los terminales con las manos mojadas.**

Servicio

1. Haga que una persona calificada repare la herramienta eléctrica utilizando sólo piezas de repuesto idénticas. Esto asegura que se mantenga la seguridad de la herramienta eléctrica.
2. Nunca dé servicio a baterías que estén dañadas. El servicio a las baterías solamente deberá ser efectuado por el fabricante o un agente de servicio autorizado.

Primeros auxilios

1. En caso de accidente, asegúrese de contar con un botiquín de primeros auxilios bien abastecido cerca del lugar donde se realicen las operaciones. Reemplace de inmediato cualquier artículo que se utilice del botiquín.
2. Cuando solicite ayuda, proporcione la siguiente información:
 - Lugar del accidente
 - Qué fue lo que ocurrió
 - Número de personas lesionadas
 - Tipo de lesiones
 - Su nombre

CONSERVE ESTAS INSTRUCCIONES.

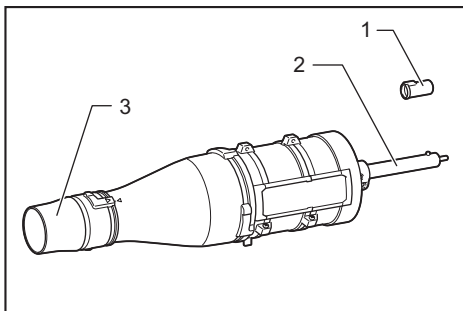
⚠ADVERTENCIA: NO DEJE que la comodidad o familiaridad con el producto (a base de utilizarlo repetidamente) evite que siga estrictamente las normas de seguridad para dicho producto.

El USO INCORRECTO o el no seguir las normas de seguridad indicadas en este manual de instrucciones puede ocasionar lesiones graves.

⚠ADVERTENCIA: El uso de este producto puede producir polvo que contenga sustancias químicas que podrían causar enfermedades respiratorias o de otro tipo. Algunos ejemplos de estas sustancias químicas son los compuestos encontrados en pesticidas, insecticidas, fertilizantes y herbicidas.

El riesgo al que se expone varía, dependiendo de la frecuencia con la que realice este tipo de trabajo. Para reducir la exposición a estas sustancias químicas: trabaje en un área bien ventilada y use un equipo de seguridad aprobado, tal como las máscaras contra polvo que están especialmente diseñadas para filtrar partículas microscópicas.

DESCRIPCIÓN DE LAS PIEZAS



► 1. Tapa 2. Tubo 3. Boquilla delantera

MONTAJE

⚠ADVERTENCIA: Antes de ensamblar o ajustar el equipo, apague el motor y retire el capuchón de la bujía o el cartucho de batería. De lo contrario, los ventiladores podrían moverse y ocasionar una lesión.

⚠ADVERTENCIA: Cuando ensamble o ajuste el equipo, déjelo siempre en el suelo. El ensamble o ajuste del equipo en una posición vertical podría ocasionar lesiones graves.

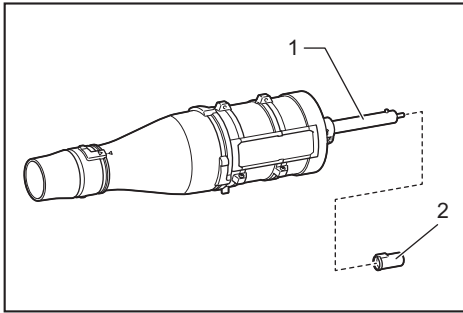
⚠ADVERTENCIA: Siga las advertencias y precauciones contenidas en el capítulo "ADVERTENCIAS DE SEGURIDAD" y el manual de instrucciones de la unidad motorizada.

Ensamble del aditamento del tubo

⚠PRECAUCIÓN: Verifique siempre que el aditamento del tubo quede asegurado después de la instalación. Una instalación incorrecta podría causar que el aditamento se desprendiera de la unidad motorizada ocasionando alguna lesión personal.

Ensamble el aditamento del tubo en la unidad motorizada.

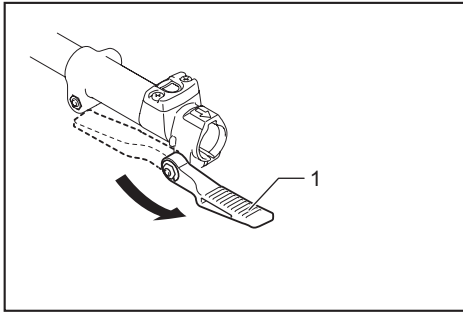
1. Retire la tapa del extremo del tubo.



► 1. Tubo 2. Tapa

AVISO: No deseche la tapa, ya que hace falta para guardar el aditamento.

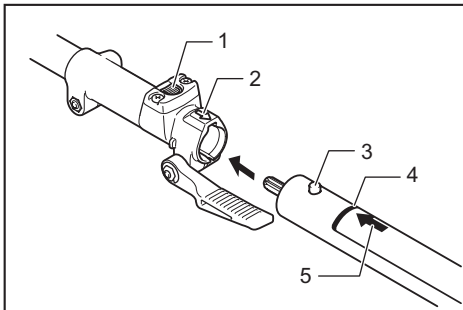
2. Gire la palanca hacia el aditamento.



► 1. Palanca

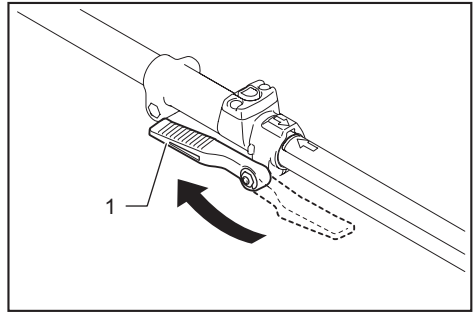
3. Alinee el pasador con la marca de flecha en la unidad motorizada. Inserte el tubo hasta que el botón de liberación aparezca.

Asegúrese de que la línea de posición esté en la punta de la marca de flecha en la unidad motorizada, y que la marca de flecha en la unidad motorizada y la marca de flecha en el tubo estén orientadas entre sí.



► 1. Botón de liberación 2. Marca de flecha en la unidad motorizada 3. Pasador 4. Línea de posición 5. Marca de flecha en el tubo

4. Gire la palanca hacia la unidad motorizada.

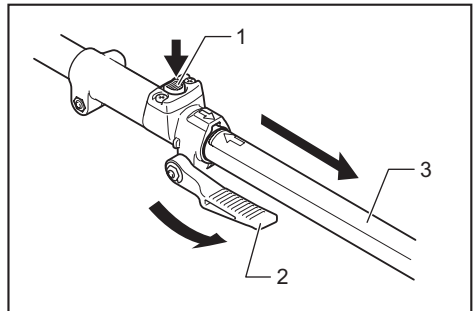


► 1. Palanca

Asegúrese de que la superficie de la palanca se encuentre paralela al tubo.

AVISO: No apriete la palanca sin que el aditamento del tubo esté insertado. De lo contrario, la palanca podría apretar demasiado la entrada del eje de transmisión y dañarla.

Para extraer el tubo, gire la palanca hacia el aditamento y jale el tubo hacia afuera mientras presiona hacia abajo el botón de liberación.

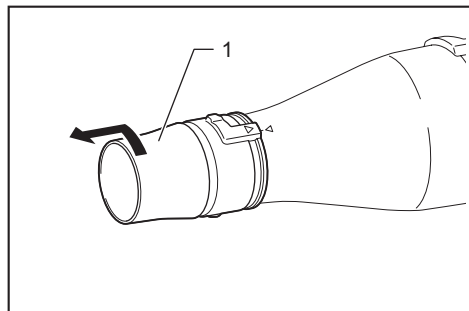


► 1. Botón de liberación 2. Palanca 3. Tubo

Instalación de la boquilla plana o boquilla de extensión

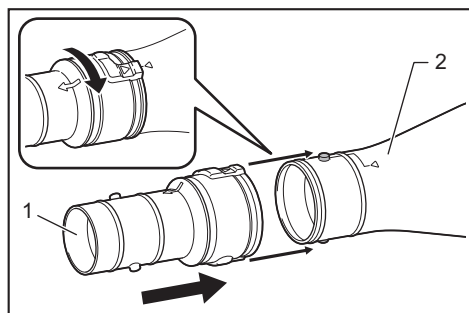
Accesorio opcional

1. Retire la boquilla delantera girándola tal como se muestra en la figura.



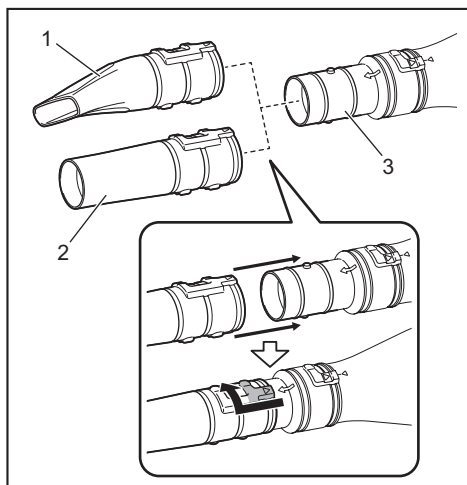
- 1. Boquilla delantera

2. Coloque el tubo adaptador en el aditamento, y luego gírelo hasta asegurarlo en su sitio.



- 1. Tubo adaptador 2. Aditamento

3. Coloque la boquilla plana o la boquilla de extensión al tubo adaptador y luego gírelo hasta asegurarlo en su sitio.



- 1. Boquilla plana 2. Boquilla de extensión
3. Tubo adaptador

AVISO: Las ranuras en el lado profundo de la boquilla plana o la boquilla de extensión no están disponibles. Asegúrese de usar las ranuras que se muestran en la figura para unir la boquilla plana o la boquilla de extensión.

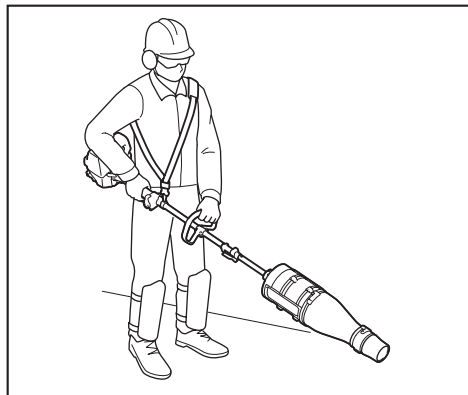
OPERACIÓN

⚠ADVERTENCIA: Siga las advertencias y precauciones contenidas en el capítulo “ADVERTENCIAS DE SEGURIDAD” y el manual de instrucciones de la unidad motorizada.

⚠ADVERTENCIA: Ajuste el colgador y el arnés para hombro en la posición que le resulte cómoda antes de la operación.

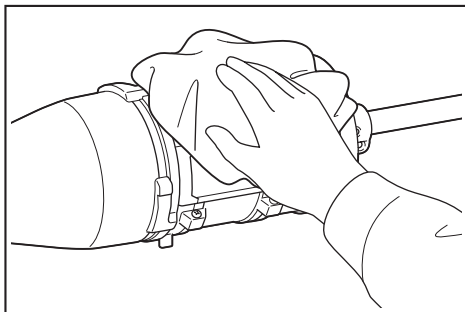
⚠PRECAUCIÓN: No coloque la máquina en el suelo mientras esté encendida. Arena o polvo pueden entrar desde la entrada de succión y ocasionar una falla o una lesión personal.

Sujete la máquina firmemente con ambas manos y realice la operación de soplado moviéndola lentamente. Al soplar alrededor de un edificio, piedras grandes o vehículos, dirija la boquilla lejos de ellos. Cuando realice una operación en una esquina, comience desde la esquina y luego muévase al área más amplia. Ajuste la velocidad del aire con el gatillo interruptor o la palanca del acelerador de la unidad motorizada, de acuerdo con el entorno o las condiciones de su uso.

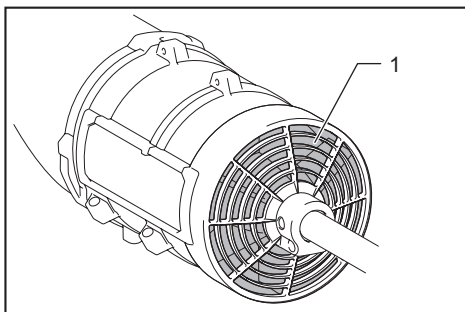


Limpieza de la máquina

Quite el polvo de la máquina con un paño seco o humedezca un paño en agua y jabón y exprímalo para limpiarla.



Retire el polvo o la suciedad de la entrada de succión en la parte posterior del aditamento.



► 1. Entrada de succión

MANTENIMIENTO

⚠ ADVERTENCIA: Antes de inspeccionar o dar mantenimiento al equipo, apague el motor y retire el cartucho de batería, o detenga el motor y retire el capuchón de la bujía. De lo contrario, los ventiladores podrían moverse y ocasionar una lesión grave.

⚠ ADVERTENCIA: Cuando inspeccione o dé mantenimiento al equipo, déjelo siempre en el suelo. El ensamble o ajuste del equipo en una posición vertical podría ocasionar lesiones graves.

⚠ ADVERTENCIA: Siga las advertencias y precauciones contenidas en el capítulo “ADVERTENCIAS DE SEGURIDAD” y el manual de instrucciones de la unidad motorizada.

AVISO: Nunca use gasolina, bencina, diluyente (tíner), alcohol o sustancias similares. Puede que esto ocasione grietas o descoloramiento.

Para mantener la SEGURIDAD y FIABILIDAD del producto, las reparaciones, y cualquier otra tarea de mantenimiento o ajuste deberán ser realizadas en centros de servicio autorizados o de fábrica Makita, empleando siempre repuestos Makita.

Inspección general

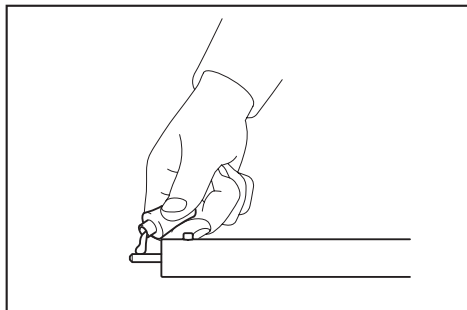
Inspeccione las piezas dañadas. Solicite su reemplazo a nuestro centro de servicio autorizado en caso necesario.

Lubricación de las piezas móviles

AVISO: Siga la instrucción sobre la frecuencia y cantidad de grasa suministrada. De lo contrario, una lubricación insuficiente podría dañar las piezas móviles.

Eje de transmisión:

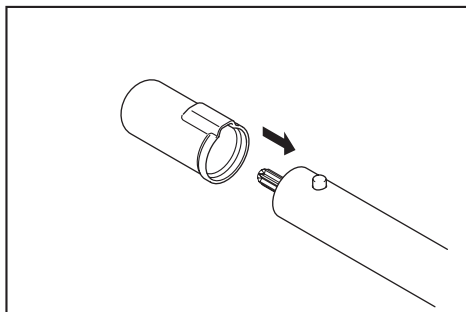
Aplique grasa (grasa Makita N No.2 o equivalente) cada 30 horas de operación.



NOTA: Usted puede adquirir grasa original de Makita con el distribuidor Makita de su localidad.

Almacenamiento

Cuando almacene el aditamento separado de la unidad motorizada, coloque la tapa en el extremo del tubo.



Intervalo de inspección y mantenimiento

Hora de operación		Antes de la operación	Diario (10 horas)	30 horas
Toda la unidad	Inspeccionar visualmente en busca de piezas dañadas	✓	-	-
Eje de transmisión	Suministrar grasa	-	-	✓
Unidad motorizada	Consultar el manual de instrucciones de la unidad motorizada			

RESOLUCIÓN DE PROBLEMAS

Antes de solicitar alguna reparación, primero realice una inspección por su cuenta. Si detecta algún problema que no esté explicado en el manual, no intente desarmar la máquina. En vez de esto, solicite la reparación a un centro de servicio autorizado de Makita, usando siempre piezas de repuesto Makita.

Estado de la anomalía	Causa probable (avería)	Remedio
El motor no arranca.	-	Consulte el manual de instrucciones de la unidad motorizada.
El motor se detiene enseguida.	-	Consulte el manual de instrucciones de la unidad motorizada.
La velocidad del motor no se incrementa.	-	Consulte el manual de instrucciones de la unidad motorizada.
Los ventiladores no giran. ⇒ Detenga el motor de inmediato.	Los tubos de la unidad motorizada y el accesorio no están conectados correctamente.	Conecte los tubos de manera correcta.
	Sistema de accionamiento anómalo	Solicite la reparación a un centro de servicio autorizado.
La unidad motorizada vibra de forma anormal. ⇒ Detenga el motor de inmediato.	Sistema de accionamiento anómalo	Solicite la reparación a un centro de servicio autorizado.
Los ventiladores continúan girando aun después de haber soltado el gatillo interruptor/palanca. ⇒ Detenga el motor de inmediato.	La unidad motorizada no funciona correctamente.	Ajuste la velocidad de ralentí si la unidad motorizada es operada mediante un motor de gasolina. Solicite la reparación a un centro de servicio autorizado.

ACCESORIOS OPCIONALES

⚠ PRECAUCIÓN: Estos accesorios o aditamentos están recomendados para utilizarse con su máquina Makita especificado en este manual. El uso de cualquier otro accesorio o aditamento puede ocasionar riesgo de lesiones personales. Use los accesorios o aditamentos sólo para los propósitos para los que fueron diseñados.

Si necesita cualquier ayuda para más detalles en relación con estos accesorios, pregunte a su centro de servicio local Makita.

- Tubo adaptador
- Boquilla de extensión
- Boquilla plana
- Juego de boquilla para canalones
- Batería y cargador originales de Makita

NOTA: Algunos de los artículos en la lista puede que vengan junto con el paquete del producto como accesorios incluidos. Puede que estos accesorios varíen de país a país.

<USA only>

WARNING

The engine exhaust from this product contains chemicals known to the State of California to cause cancer, birth defects or other reproductive harm.

<USA solamente>

ADVERTENCIA

Los gases de escape del motor de este producto contienen sustancias químicas conocidas en el Estado de California como causantes de cáncer, defectos genéticos y otros problemas relacionados con la reproducción.

Makita Corporation
3-11-8, Sumiyoshi-cho,
Anjo, Aichi 446-8502 Japan

www.makita.com

885768A932
UB400MP-2
EN, FRCA, ESMX
20201215