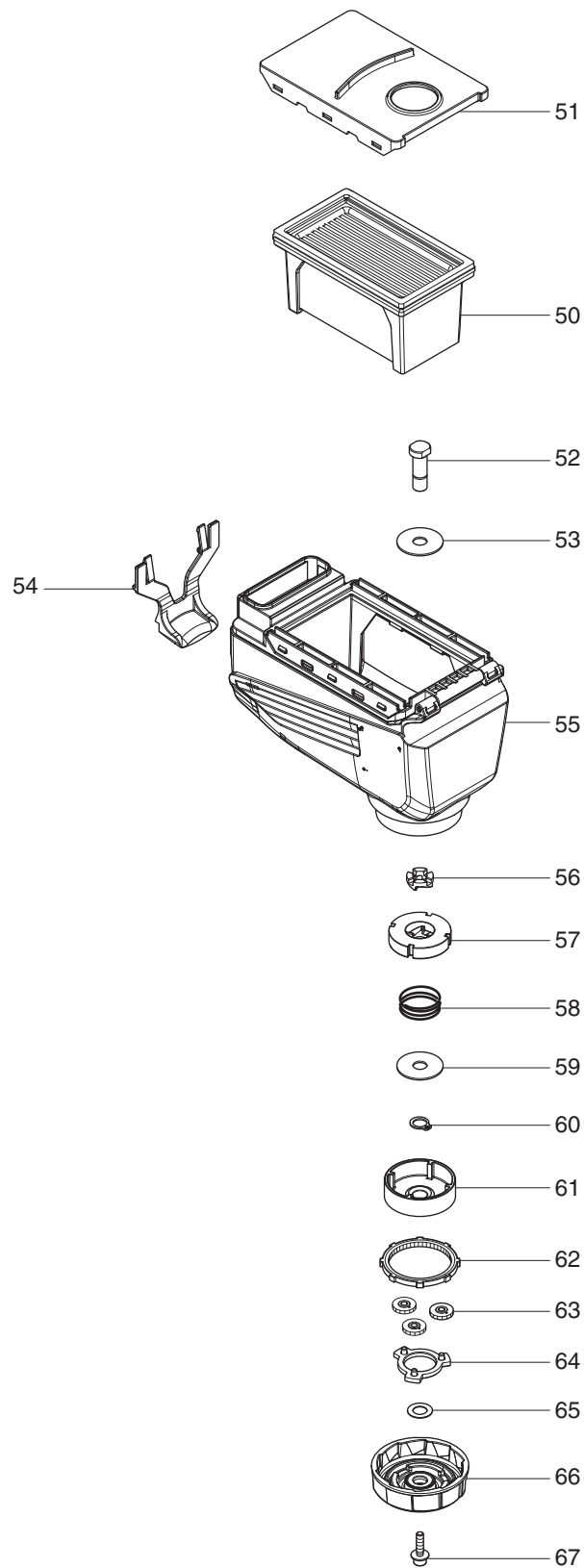


36



PARTS LIST

Item No	Type	Part No	Description	Qty	Unit
001		424722-2	FITTING RUBBER	1	PC.
002		424474-5	SEALING CAP	1	PC.
003		458291-1	COLLECTOR	1	PC.
004		266326-2	TAPPING SCREW 4X18	2	PC.
005		458288-0	COLLECTOR BASE	1	PC.
006		216002-8	STEEL BALL 4.8	1	PC.
007		233314-4	COMPRESSION SPRING 4	1	PC.
008		458292-9	LOCK LEVER B	1	PC.
009		459597-0	SLIDE PIPE A	1	PC.
010		459598-8	SLIDE PIPE B	1	PC.
011		245045-3	HOSE 30	1	PC.
012		423425-5	SPONGE SHEET B	1	PC.
013		458285-6	INNER PIPE	1	PC.
014		459776-0	SLIDE LEVER A	1	PC.
015		459775-2	STOPPER BASE	1	PC.
016		234227-2	COMPRESSION SPRING 3	1	PC.
017		453702-1	RACK A	1	PC.
018		136179-2	SLIDE LEVER B ASSY	1	PC.
019		232427-8	COMPRESION SPRING 2	1	PC.
022		232428-6	COMPRESION SPRING 3	1	PC.
023		453139-2	RACK B	1	PC.
026		266326-2	TAPPING SCREW 4X18	8	PC.
027		183N51-3	HOUSING SET	1	SET
028		620283-2	LED CIRCUIT	1	PC.
030		632L45-8	CONNECTOR	1	PC.
031		234228-0	COMPRESSION SPRING 6	1	PC.
032		459591-2	LIFT PLATE	1	PC.
033		459592-0	HOOK	1	PC.
034		346539-2	GUIDE PLATE	1	PC.
035		263025-7	RUBBER PIN 4	4	PC.
036		199588-6	DUST CASE SET	1	PC.
036	INC.		Item No. 50-67		
037		453171-6	FILTER PLATE	1	PC.
038		423427-1	SPONGE SHEET C	1	PC.
039		453143-1	BAFFLE PLATE	1	PC.
040		140P90-8	MOTOR COMPLETE	1	PC.
041		263025-7	RUBBER PIN 4	4	PC.
043		424486-8	EARTH RUBBER	1	PC.

Item No	Type	Part No	Description	Qty	Unit
044		346539-2	GUIDE PLATE	1	PC.
045		620C36-7	CONTROLLER	1	PC.
045	INC.	654069-2	RECEPTACLE	2	PC.
045	INC.	654281-4	RECEPTACLE	4	PC.
047		234228-0	COMPRESSION SPRING 6	1	PC.
048		459595-4	PUSH BUTTON	1	PC.
049		136180-7	SLIDE PIPE ASSY	1	PC.
049	INC.		Item No. 1-17		
050		199557-7	FILTER SET	1	PC.
051		453150-4	FILTER COVER	1	PC.
052		327221-2	SHAFT	1	PC.
053		253431-4	FLAT WASHER 8	1	PC.
054		453148-1	RELEASE LEVER	1	PC.
055		140H67-5	DUST CASE COMPLETE	1	PC.
055	INC.	256533-5	ROD 2.5	1	PC.
055	INC.	423426-3	SPONGE SHEET A	1	PC.
055	INC.	453149-9	FILTER BASE	1	PC.
056		310918-0	CAM	1	PC.
057		310919-8	HAMMER	1	PC.
058		232482-0	COMPRESSION SPRING 21	1	PC.
059		253431-4	FLAT WASHER 8	1	PC.
060		961004-6	RETAINING RING S-8	1	PC.
061		226856-5	SUPER GEAR 17	1	PC.
062		226857-3	INTERNAL GEAR 49	1	PC.
063		226855-7	SUPER GEAR 15	3	PC.
064		140F90-8	CARRIER COMPLETE	1	PC.
065		253430-6	FLAT WASHER 8	1	PC.
066		140H88-7	DIAL COMPLETE	1	PC.
066	INC.	422431-7	SPONGE SHEET	1	PC.