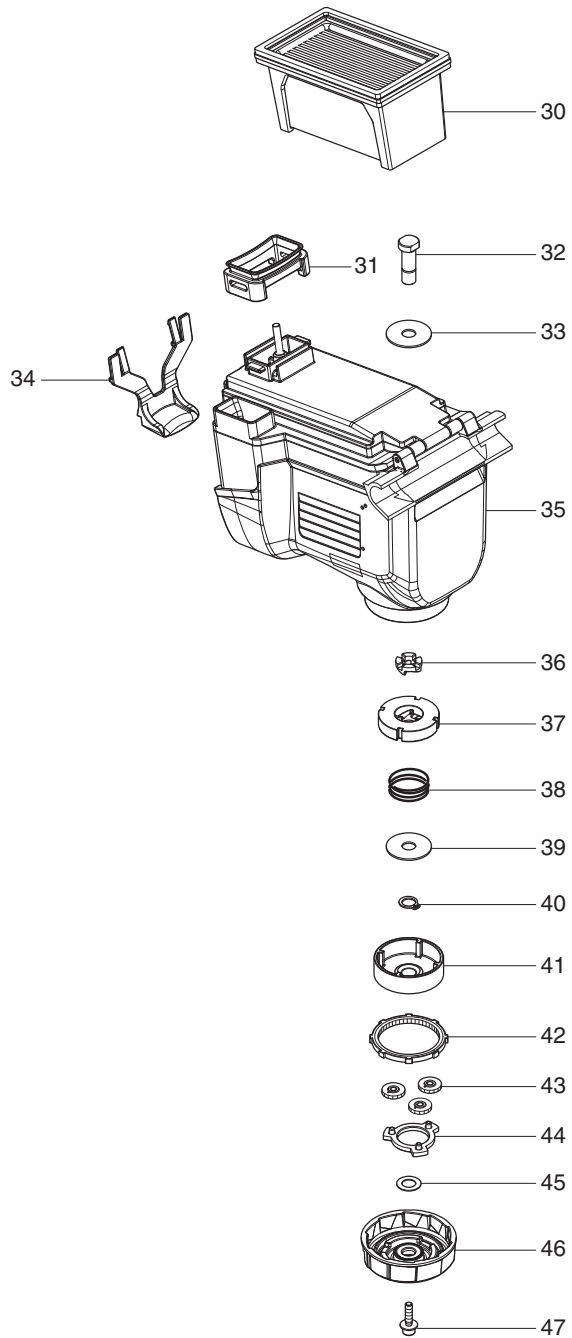


28



## PARTS LIST

Item No	Type	Part No	Description	Qty	Unit
001		459207-9	FITTING RUBBER	1	PC.
002		459206-1	SEALING CAP	1	PC.
003		459205-3	COLLECTOR	1	PC.
004		251568-1	H.S.H.BOLT M3X12 WITH WR	2	PC.
005		459193-4	COLLECTOR BASE A	1	PC.
006		347505-2	STOPPER	1	PC.
007		327278-3	SLIDE PIPE	1	PC.
008		459196-8	RACK	1	PC.
009		263002-9	RUBBER PIN 4	1	PC.
010		140R30-8	END STOPPER ASSEMBLY	1	PC.
010	INC.		Item No. 9		
011		251568-1	H.S.H.BOLT M3X12 WITH WR	2	PC.
012		245045-3	HOSE 30	1	PC.
013		459195-0	LOCK BUTTOM	2	PC.
014		232504-6	COMPRESSION SPRING 4	2	PC.
015		459194-2	SLIDE BASE	2	PC.
017		856V52-9	DX10 NAME PLATE	1	PC.
018		266326-2	TAPPING SCREW 4X18	5	PC.
019		183R37-1	HOUSING SET	1	SET
019	INC.	459204-5	SPONGE SHEET B	1	PC.
020		459202-9	CUSHION	2	PC.
021		459191-8	LOCK LEVER	1	PC.
022		232505-4	COMPRESSION SPRING 7	1	PC.
023		266326-2	TAPPING SCREW 4X18	2	PC.
024		347503-6	SLIDE RAIL	1	PC.
025		266421-8	TAPPING SCREW 3X10	4	PC.
026		347504-4	PLATE	1	PC.
028	2	191F50-3	DUST CASE SET	1	PC.
028	2	INC.	Item No. 30-47		
030		199557-7	HEPA FILTER	1	PC.
031		459201-1	JOINT CUSHION	1	PC.
032		327221-2	SHAFT	1	PC.
033		253431-4	FLAT WASHER 8	1	PC.
034		453148-1	RELEASE LEVER	1	PC.
036		310918-0	CAM	1	PC.
037		310919-8	HAMMER	1	PC.
038		232482-0	COMPRESSION SPRING 21	1	PC.
039		253431-4	FLAT WASHER 8	1	PC.

Item No	Type	Part No	Description	Qty	Unit
040		961004-6	RETAINING RING S-8	1	PC.
041		226856-5	SUPER GEAR 17	1	PC.
042		226857-3	INTERNAL GEAR 49	1	PC.
043		226855-7	SUPER GEAR 15	3	PC.
044		140F90-8	CARRIER COMPLETE	1	PC.
045		253430-6	FLAT WASHER 8	1	PC.
046		140H88-7	DIAL COMPLETE	1	PC.
046	INC.	422431-7	SPONGE SHEET	1	PC.
047		922129-1	H.S.H.BOLT M4X16 WITH WG	1	PC.
048		136331-2	SLIDE PIPE ASSY	1	PC.
048	INC.		Item No. 1-15,24		
A01		459206-1	SEALING CAP	5	PC.