



| | | | |
|-------------|--|--------------------------------|-----------|
| EN | Cordless Worklight | INSTRUCTION MANUAL | 2 |
| FRCA | Lampe de Chantier Sans Fil | MANUEL D'INSTRUCTION | 12 |
| ESMX | Linterna de Trabajo Inalámbrica | MANUAL DE INSTRUCCIONES | 23 |
| PTBR | Refletor LED a Bateria | MANUAL DE INSTRUÇÕES | 34 |

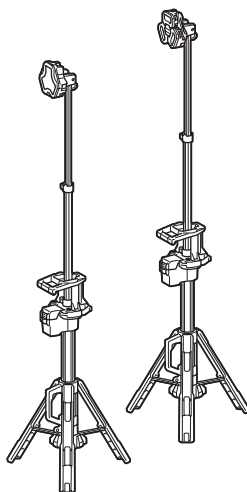
IMPORTANT: Read Before Using.

IMPORTANT : Lire avant usage.

IMPORTANTE: Lea antes de usar.

IMPORTANTE: Leia este manual antes de usar a ferramenta.

DML813
DML814



SPECIFICATIONS

| Model: | | DML813 | DML814 |
|--|-------------------------------------|---|---------------------|
| Rated wattage | | 12pcs, 27 W | |
| Rated voltage | | D.C. 18 V / 14.4 V | |
| Luminous flux | | 3,000 lm / 1,700 lm / 900 lm | |
| Operating time (with BL1850B) | | 3 hours (3,000 lm) / 5.5 hours (1,700 lm) / 10 hours (900 lm) | |
| Dimensions (L x W x H) | Folding position | 260 mm x 216 mm x 1,000 mm (10-1/4" x 8-1/2" x 39-3/8") | |
| | Operating position (Maximum height) | 573 mm x 658 mm x 2,240 mm (22-1/2" x 26" x 88") | |
| Net weight (without battery cartridge) | | 7.0 kg (15.4 lbs) | 7.2 kg (15.9 lbs) |

- Due to our continuing program of research and development, the specifications herein are subject to change without notice.
- Specifications may differ from country to country.
- Operating times are approximate and may differ depending on battery type, charging status, and usage condition.

Applicable battery cartridge and charger






| | | |
|------------------------------|--|--|
| Battery cartridge (Makita) | D.C.14.4 V Model | BL1430B |
| | D.C.18 V Model | BL1815N / BL1820B / BL1830 / BL1830B / BL1840B / BL1850B / BL1860B |
| Charger (Makita) | DC18RC / DC18RD / DC18RE / DC18SD / DC18SE / DC18SF / DC18SH | |

- Some of the battery cartridges and chargers listed above may not be available depending on your region of residence.

⚠WARNING: Only use the battery cartridges and chargers listed above. Use of any other battery cartridges and chargers may cause injury and/or fire.

Symbols

The followings show the symbols which may be used for the equipment. Be sure that you understand their meaning before use.

| | |
|--|--|
|  | Read instruction manual. |
| V | volts |
|  | direct current |
|  | Be careful not to press your hands when retracting the extension pole. |
|  | Do not stare at operating lamp. |
|  | Open the tripod legs before pulling out from the extension pole. |

SAFETY WARNINGS

READ AND FOLLOW ALL SAFETY INSTRUCTIONS.
WARNING – When using this appliance, following precautions should always be followed:

1. **To reduce the risk of injury, close supervision is necessary when a product is used near children.**
2. **Do not contact hot parts to reduce the risk of burns.** The lens may be extremely hot during use and soon after using.
3. **Only use attachments recommended or sold by the manufacturer.**
4. **Do not use the appliance in the rain or the snow.**
5. **To reduce the risk of electrical shock, do not put the appliance in water or other liquid. Do not place or store the appliance where it can fall or be pulled into a tub or sink.**
6. **WARNING: To reduce the risk of injury, do not stare at the operating lamp, or do not expose the light to eyes.** Serious eye injury may occur.
7. **To reduce the risk of fire, keep away from combustible materials while in operation.**

8. **Only use attachments recommended or sold by the manufacturer.**
9. **Do not allow anything to cover or clog the vents of the appliance. Always keep clean the vent for cooling.** Otherwise it may cause a flame.
10. **Do not use the carrying handle any other purpose than carrying the appliance, such as hoisting.**
11. **When carrying the appliance, always fold the tripod legs.** Otherwise a falling accident may occur.
12. **Place the appliance out of the reach of children.**
13. **Place the appliance on a level and stable place.** Otherwise a falling accident may occur.
14. **Do not use the appliance in strong winds.** Otherwise a falling accident may occur.
15. **Do not use the appliance in explosive atmospheres, such as in the presence of flammable liquids, gases or dust.**
16. **Do not expose the appliance to sparks or corrosive atmosphere, etc.**
17. **When the appliance is not in use, always remove the battery cartridge from the appliance.**
18. **Store the appliance indoors.**
19. **Do not wash the appliance in water.**
20. **Keep the tags and nameplate on the product, which contains important information.** If it cannot be read or lost, please contact MAKITA Service Center for free replacement.
21. **Disconnect the battery pack from the appliance before making any adjustments, changing accessories, or storing appliance.** Such preventive safety measures reduce the risk of starting the appliance accidentally.
22. **Do not modify or attempt to repair the appliance or the battery pack except as indicated in the instructions for use and care.**
23. **Do not handle the appliance roughly, such as dropping or hitting.** Doing so may cause malfunction or injury.
24. **Do not handle charger, including charger plug, and charger terminals with wet hands.**
25. **Do not charge the battery outdoors.**
26. **When the appliance is not in use, always fold the tripod legs and shrink the pole to reduce injury and damage.**
27. **The light source contained in this luminaire shall only be replaced by the manufacturer or his service agent or a similar qualified person.**
28. **When the appliance is used outdoors, screws can be used for the holes in the tripod legs as auxiliary fixation. When moving the appliance, loosen and remove the screws.**

Battery tool use and care

1. **Prevent unintentional starting.** Ensure the switch is in the off-position before connecting to battery pack, picking up or carrying the appliance. Carrying the appliance with your finger on the switch or energizing appliance that have the switch on invites accidents.
2. **Disconnect the battery pack from the appliance before making any adjustments, changing accessories, or storing appliance.** Such preventive safety measures reduce the risk of starting the appliance accidentally.

3. **Recharge only with the charger specified by the manufacturer.** A charger that is suitable for one type of battery pack may create a risk of fire when used with another battery pack.
4. **Use power tools only with specifically designated battery packs.** Use of any other battery packs may create a risk of injury and fire.
5. **When battery pack is not in use, keep it away from other metal objects, like paper clips, coins, keys, nails, screws or other small metal objects, that can make a connection from one terminal to another.** Shorting the battery terminals together may cause burns or a fire.
6. **Under abusive conditions, liquid may be ejected from the battery; avoid contact.** If contact accidentally occurs, flush with water. If liquid contacts eyes, additionally seek medical help. Liquid ejected from the battery may cause irritation or burns.
7. **Do not use a battery pack or tool that is damaged or modified.** Damaged or modified batteries may exhibit unpredictable behaviour resulting in fire, explosion or risk of injury.
8. **Do not expose a battery pack or tool to fire or excessive temperature.** Exposure to fire or temperature above 130 °C may cause explosion.
9. **Follow all charging instructions and do not charge the battery pack or tool outside the temperature range specified in the instructions.** Charging improperly or at temperatures outside the specified range may damage the battery and increase the risk of fire.
10. **Have servicing performed by a qualified repair person using only identical replacement parts.** This will ensure that the safety of the product is maintained.
11. **Do not modify or attempt to repair the appliance or the battery pack except as indicated in the instructions for use and care.**

SERVICE

1. This appliance service must be performed only by qualified repair personnel. Service or maintenance performed by unqualified personnel could result in a risk of injury.
2. When servicing this appliance, use only identical replacement parts. Use of unauthorized parts or failure to follow maintenance instructions may create a risk of electric shock or injury.
3. Do not incinerate this appliance, even if it is severely damaged. The batteries can explode in a fire. Dispose of the appliance in accordance with the local regulations.

Important safety instructions for battery cartridge

1. **Before using battery cartridge, read all instructions and cautionary markings on (1) battery charger, (2) battery, and (3) product using battery.**
2. **Do not disassemble or tamper the battery cartridge.** It may result in a fire, excessive heat, or explosion.
3. **If operating time has become excessively shorter, stop operating immediately. It may result in a risk of overheating, possible burns and even an explosion.**

4. If electrolyte gets into your eyes, rinse them out with clear water and seek medical attention right away. It may result in loss of your eyesight.
5. Do not short the battery cartridge:
 - (1) Do not touch the terminals with any conductive material.
 - (2) Avoid storing battery cartridge in a container with other metal objects such as nails, coins, etc.
 - (3) Do not expose battery cartridge to water or rain.

A battery short can cause a large current flow, overheating, possible burns and even a breakdown.

6. Do not store and use the tool and battery cartridge in locations where the temperature may reach or exceed 50 °C (122 °F).
7. Do not incinerate the battery cartridge even if it is severely damaged or is completely worn out. The battery cartridge can explode in a fire.
8. Do not nail, cut, crush, throw, drop the battery cartridge, or hit against a hard object to the battery cartridge. Such conduct may result in a fire, excessive heat, or explosion.
9. Do not use a damaged battery.
10. The contained lithium-ion batteries are subject to the Dangerous Goods Legislation requirements. For commercial transports e.g. by third parties, forwarding agents, special requirement on packaging and labeling must be observed. For preparation of the item being shipped, consulting an expert for hazardous material is required. Please also observe possibly more detailed national regulations. Tape or mask off open contacts and pack up the battery in such a manner that it cannot move around in the packaging.
11. When disposing the battery cartridge, remove it from the tool and dispose of it in a safe place. Follow your local regulations relating to disposal of battery.
12. Use the batteries only with the products specified by Makita. Installing the batteries to non-compliant products may result in a fire, excessive heat, explosion, or leak of electrolyte.
13. If the tool is not used for a long period of time, the battery must be removed from the tool.
14. During and after use, the battery cartridge may take on heat which can cause burns or low temperature burns. Pay attention to the handling of hot battery cartridges.
15. Do not touch the terminal of the tool immediately after use as it may get hot enough to cause burns.
16. Do not allow chips, dust, or soil stuck into the terminals, holes, and grooves of the battery cartridge. It may result in poor performance or breakdown of the tool or battery cartridge.
17. Unless the tool supports the use near high-voltage electrical power lines, do not use the battery cartridge near high-voltage electrical power lines. It may result in a malfunction or breakdown of the tool or battery cartridge.
18. Keep the battery away from children.

SAVE THESE INSTRUCTIONS.

⚠ CAUTION: Only use genuine Makita batteries. Use of non-genuine Makita batteries, or batteries that have been altered, may result in the battery bursting causing fires, personal injury and damage. It will also void the Makita warranty for the Makita tool and charger.

Tips for maintaining maximum battery life

1. Charge the battery cartridge before completely discharged. Always stop tool operation and charge the battery cartridge when you notice less tool power.
2. Never recharge a fully charged battery cartridge. Overcharging shortens the battery service life.
3. Charge the battery cartridge with room temperature at 10 °C - 40 °C (50 °F - 104 °F). Let a hot battery cartridge cool down before charging it.
4. When not using the battery cartridge, remove it from the tool or the charger.
5. Charge the battery cartridge if you do not use it for a long period (more than six months).

FCC caution

For United States

This device complies with Part 15 of the FCC Rules. Operation is subject to the following two conditions: (1) this device may not cause harmful interference, and (2) this device must accept any interference received, including interference that may cause undesired operation. Changes or modifications not expressly approved by the party responsible for compliance could void the user's authority to operate the equipment.

Note: This equipment has been tested and found to comply with the limits for a Class B digital device, pursuant to part 15 of the FCC Rules. These limits are designed to provide reasonable protection against harmful interference in a residential installation. This equipment generates, uses and can radiate radio frequency energy and, if not installed and used in accordance with the instructions, may cause harmful interference to radio communications. However, there is no guarantee that interference will not occur in a particular installation. If this equipment does cause harmful interference to radio or television reception, which can be determined by turning the equipment off and on, the user is encouraged to try to correct the interference by one or more of the following measures:

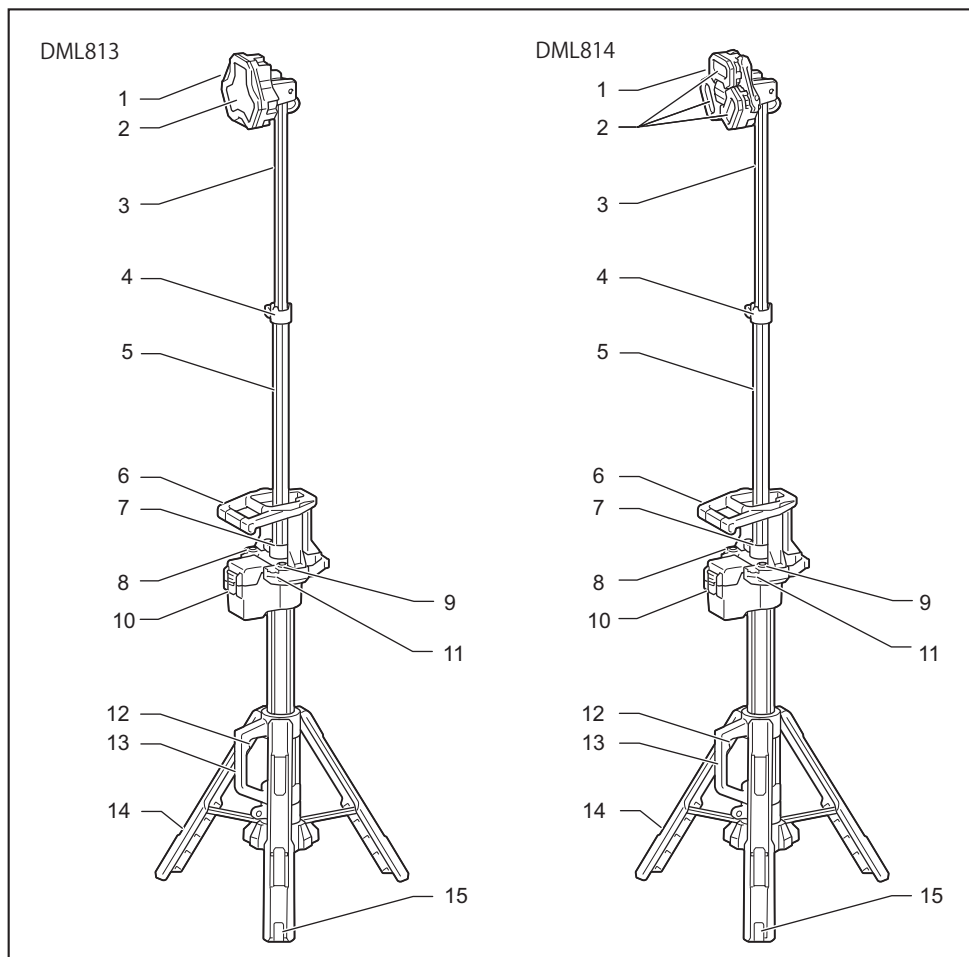
- Reorient or relocate the receiving antenna.
- Increase the separation between the equipment and receiver.
- Connect the equipment into an outlet on a circuit different from that to which the receiver is connected.
- Consult the dealer or an experienced radio/TV technician for help.

ICES-005 standard

For Canada

CAN ICES-005(B)/NMB-005(B)

PARTS DESCRIPTION



| | | | | | |
|----|-----------------------|----|----------------------|----|--------------------------|
| 1 | Light head | 2 | Lens | 3 | Upper extension pole |
| 4 | Upper extension latch | 5 | Lower extension pole | 6 | Horizontal handle |
| 7 | Lower extension latch | 8 | Power switch button | 9 | Brightness change button |
| 10 | Battery bay | 11 | Shoulder belt hole | 12 | Tripod release button |
| 13 | Carrying handle | 14 | Tripod legs | 15 | Hole for fixing |

FUNCTIONAL DESCRIPTION

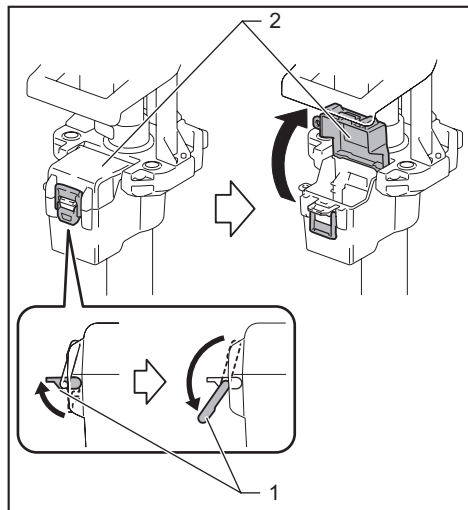
CAUTION: Always be sure that the appliance is switched off and the battery cartridge is removed before adjusting or checking function on the appliance.

Installing or removing battery cartridge

CAUTION: Hold the appliance and the battery cartridge firmly when installing or removing battery cartridge. Failure to hold the appliance and the battery cartridge firmly may cause them to slip off your hands and result in damage to the appliance and battery cartridge and a personal injury.

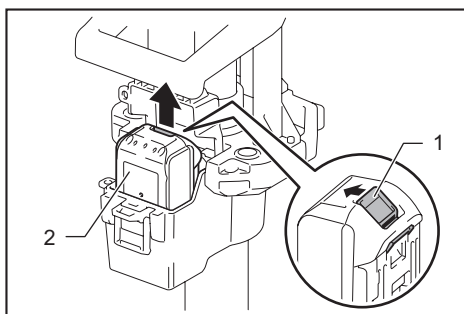
CAUTION: Be careful not to trap finger(s) between the appliance and battery cartridge when loading battery cartridge as well as between the appliance and the battery cover when closing the battery cover.

To install the battery cartridge, release the cover lock, and open the battery cover.



► 1. Cover lock 2. Battery cover

To install the battery cartridge, align the tongue on the battery cartridge with the groove in the housing and slip it into place. Insert it all the way until it locks in place with a little click. Then close the battery cover.



► 1. Button 2. Battery cartridge

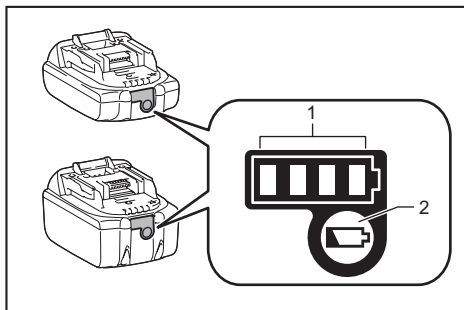
To remove the battery cartridge, slide it from the appliance while sliding the button on the front of the cartridge.

CAUTION: Always install the battery cartridge fully. If not, it may accidentally fall out of the appliance, causing injury to you or someone around you.

CAUTION: Do not install the battery cartridge forcibly. If the cartridge does not slide in easily, it is not being inserted correctly.

Indicating the remaining battery capacity

Only for battery cartridges with the indicator



► 1. Indicator lamps 2. Check button

Press the check button on the battery cartridge to indicate the remaining battery capacity. The indicator lamps light up for a few seconds.

| Indicator lamps | | | Remaining capacity |
|-----------------|---------|----------|-------------------------------------|
| Lighted | Off | Blinking | |
| ■ | □ | ▧ | 75% to 100% |
| ■ ■ ■ ■ | | | |
| ■ ■ ■ ■ | □ | | 50% to 75% |
| ■ ■ ■ ■ | □ □ | | 25% to 50% |
| ■ ■ ■ ■ | □ □ □ □ | | 0% to 25% |
| ▧ □ □ □ | □ □ □ □ | | Charge the battery. |
| ■ ■ ■ ■ | □ □ □ □ | | The battery may have malfunctioned. |
| □ □ □ □ | ■ ■ ■ ■ | ↑ ↓ | |

NOTE: Depending on the conditions of use and the ambient temperature, the indication may differ slightly from the actual capacity.

NOTE: The first (far left) indicator lamp will blink when the battery protection system works.

Appliance / battery protection system

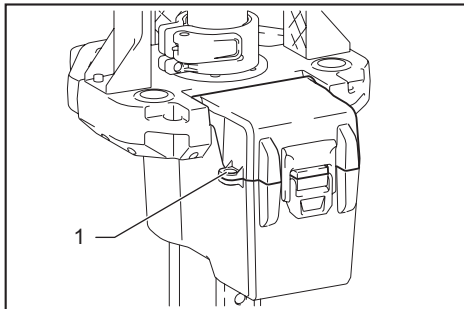
The appliance is equipped with the protection system. This system automatically cuts off power to extend appliance and battery life. The appliance will automatically stop during operation if the appliance or battery is placed under one of the following conditions.

Overdischarge protection

When the battery capacity becomes low, the LED lights go out except a part of LEDs. Later, the system automatically cuts off power. In this situation, remove the battery cartridge from the appliance and charge it.

Hole for padlock

For anti-theft of battery cartridge, hole for padlock is provided.



► 1. Hole for padlock

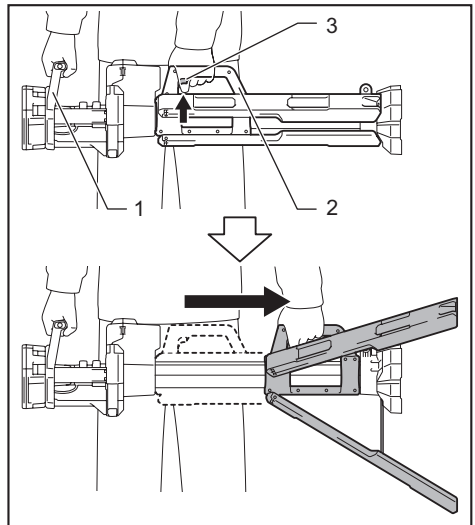
ASSEMBLY

CAUTION: Always be sure that the appliance is switched off and the battery cartridge is removed before carrying out any work on the appliance.

Spreading / folding the tripod legs

CAUTION: Keep hands away from the tripod legs and be careful not to pinch your fingers when spreading or folding the tripod legs.

1. Hold the horizontal handle and carrying handle by both hands firmly.
2. Slide the carrying handle in the direction of arrow as illustrated while pushing the tripod release button.
3. Release the tripod release button and make sure the carrying handle is secured in the bottom position.



- 1. Horizontal handle 2. Carrying handle 3. Tripod release button
4. To fold the tripod, slide the carrying handle in the opposite direction while pushing the tripod release button.

Positioning of the light head

CAUTION: Before positioning the light head, make sure the tripod legs are spread completely and locked firmly in the locking position. Otherwise the appliance may tilt and a falling accident may occur.

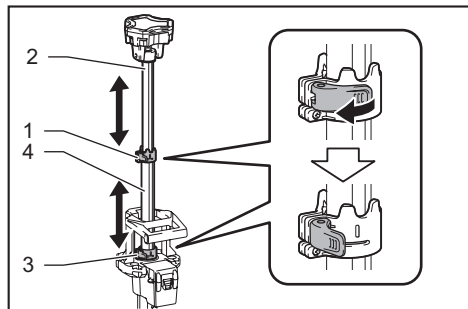
Adjusting the height of the light head

CAUTION: When adjusting the length of one extension pole, make sure the other extension pole is fixed firmly by the extension latch. Otherwise unexpected contraction may occur and cause an injury.

CAUTION: Be careful not to pinch your fingers when adjusting the height of the light head.

CAUTION: Keep holding the extension pole when adjusting the length of the extension pole. Otherwise the light head may drop rapidly and pinch hands and fingers.

1. Open the upper extension latch.
2. Adjust the length of the upper extension pole by pulling or retracting the upper extension pole.
3. Close the upper extension latch and make sure the upper extension pole is fixed firmly.
4. If more height is required, adjust the length of the lower extension pole in the same way as above.



- 1. Upper extension latch 2. Upper extension pole
3. Lower extension latch 4. Lower extension pole

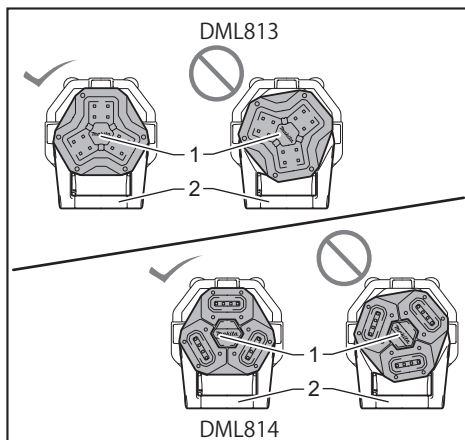
NOTE: If the grip force of the latch is declined, tighten the screws of the extension latch. (Refer to the section for screw tightening.)

Retracting the extension pole

CAUTION: Be careful not to pinch your finger when retracting the extension pole.

NOTICE: If the extension pole cannot be retracted smoothly, do not force the extension pole to retract. In this case, expand the extension pole again, and then retract the lower extension pole first.

When retracting the extension pole, align the light head as shown in the illustration, and then retract the extension pole.

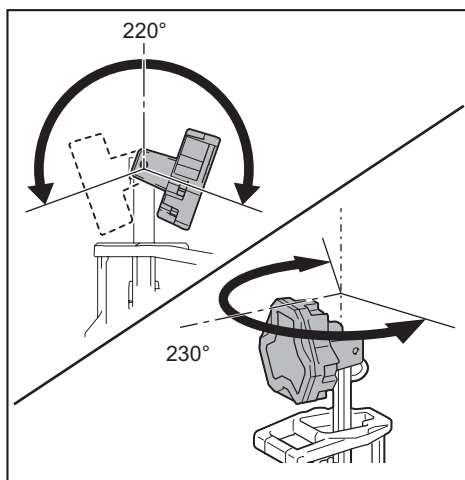


- 1. Light head 2. Horizontal handle

Adjusting the angle of the light head

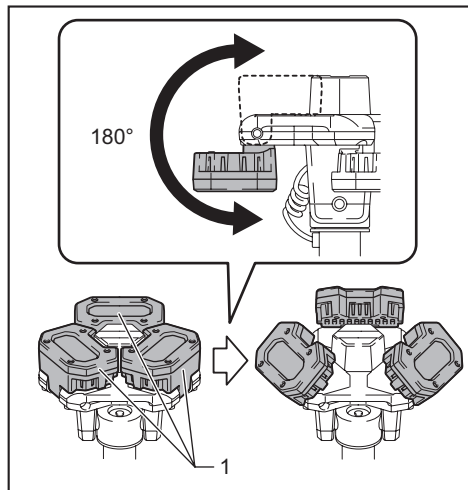
CAUTION: Be careful not to pinch your fingers when adjusting the angle of the light head.

Turn the light head as illustrated to the desired angle.



For DML814 only

The lighting area can be adjusted by turning the individual lamp units.



► 1. Lamp unit

NOTE: If the grip force of the light head or lamp unit is decline, tighten the screws. (Refer to the section for screw tightening.)

Screw tightening

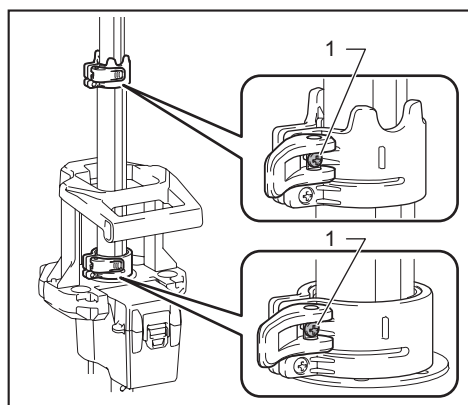
CAUTION: Before tightening the screws, retract the poles all the way or lay the appliance sideways. Otherwise the light head moves accidentally and cause an injury.

NOTICE: Do not over tighten the screw. Otherwise the joint parts may be broken.

NOTICE: Do not use electric tools to tighten the screw. Otherwise the screw may get over tightened.

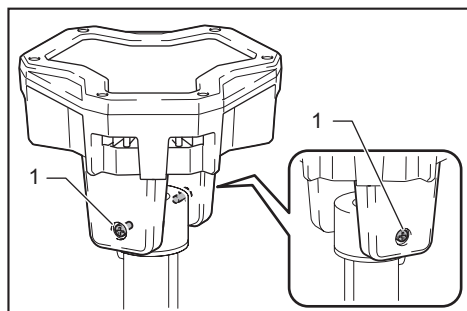
If the grip force of some joint parts is declined, tighten the screw shown in the figure.

For the extension latches



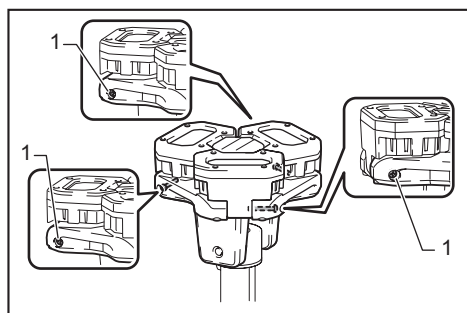
► 1. Screw

For the light head



► 1. Screw

For the individual lamp units (DML814 only)



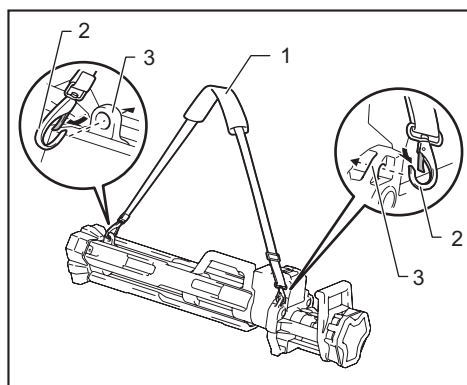
► 1. Screw

Shoulder belt

Optional accessory

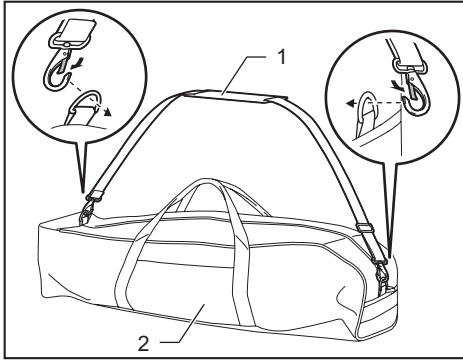
CAUTION: When carrying the appliance, keep holding the carrying handle even if when using the shoulder belt. Carrying the appliance using only the shoulder belt makes it unstable. The shoulder belt may come off or the appliance hit other objects and cause injury.

Attach the hooks of the shoulder belt onto the mounts as shown in the figure certainly.



► 1. Shoulder belt 2. Hook 3. Mount

NOTE: You can also attach the shoulder belt to the tool bag (optional accessory) as illustrated.



► 1. Shoulder belt 2. Tool bag

OPERATION

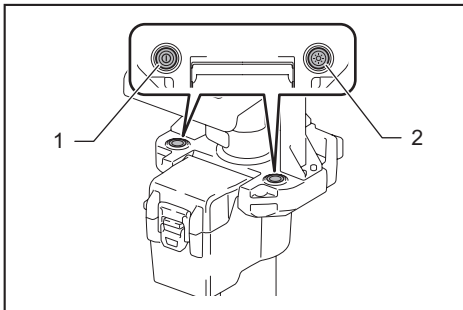
⚠ WARNING: To reduce the risk of injury, do not stare at the operating lamp, or do not expose the light to eyes. Serious eye injury may occur.

⚠ WARNING: To reduce the risk of burns and fire, do not touch the light head, and keep it away from combustible materials while in operation.

⚠ CAUTION: When using the appliance, always make sure the tripod legs are in fully spread position. Otherwise a falling accident may occur.

NOTICE: Do not press the buttons forcibly. Otherwise a malfunction may occur.

Switch action



► 1. Power switch button 2. Brightness change button

Turning on / off the appliance

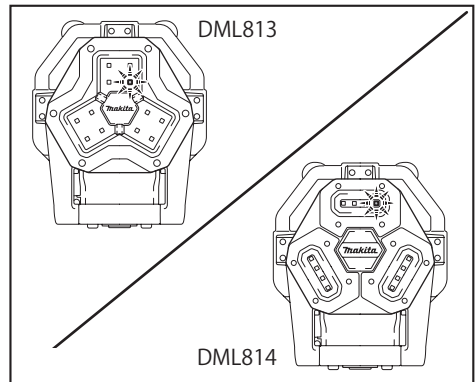
Press the power switch button to turn on the appliance. Press the power switch button again to turn off the appliance.

NOTE: The appliance turns on at the same brightness as the last setting.

Changing brightness

Press the brightness change button while the appliance is operating. The brightness decreases every time you press the brightness change button. The brightness will return to the highest when operating in the lowest brightness.

When the battery capacity becomes low, the LED lights go out except a part of LEDs as illustrated. (Then few minutes later, the system automatically cuts off power.) In this situation, remove the battery cartridge from the appliance and charge it.



MAINTENANCE

⚠ CAUTION: Always be sure that the appliance is switched off, unplugged, and the battery cartridge is removed before attempting to perform inspection or maintenance.

NOTICE: Never use gasoline, benzine, thinner, alcohol or the like. Discoloration, deformation or cracks may result.

To maintain product SAFETY and RELIABILITY, repairs, any other maintenance or adjustment should be performed by Makita Authorized or Factory Service Centers, always using Makita replacement parts.

Cleaning

⚠ CAUTION: Do not wash the appliance in water.

From time to time, wipe off the outside (appliance body) of the appliance using a cloth dampened in soapy water.

OPTIONAL ACCESSORIES

⚠ CAUTION: These accessories or attachments are recommended for use with your Makita tool specified in this manual. The use of any other accessories or attachments might present a risk of injury to persons. Only use accessory or attachment for its stated purpose.

If you need any assistance for more details regarding these accessories, ask your local Makita Service Center.

- Shoulder belt
- Tool bag
- Makita genuine battery and charger

NOTE: Some items in the list may be included in the tool package as standard accessories. They may differ from country to country.

MAKITA LIMITED WARRANTY

Please refer to the annexed warranty sheet for the most current warranty terms applicable to this product. If annexed warranty sheet is not available, refer to the warranty details set forth at below website for your respective country.

United States of America: www.makitatools.com

Canada: www.makita.ca

Other countries: www.makita.com

SPÉCIFICATIONS

| Modèle : | | DML813 | DML814 |
|--|---|--|-------------------|
| Puissance nominale | | 12 pièces, 27 W | |
| Tension nominale | | C.C. 18 V / 14,4 V | |
| Flux lumineux | | 3 000 lm / 1 700 lm / 900 lm | |
| Temps de fonctionnement (avec BL1850B) | | 3 heures (3 000 lm) / 5,5 heures (1 700 lm) / 10 heures (900 lm) | |
| Dimensions (L x P x H) | Position repliée | 260 mm x 216 mm x 1 000 mm (10-1/4" x 8-1/2" x 39-3/8") | |
| | Position de fonctionnement (Hauteur maximale) | 573 mm x 658 mm x 2 240 mm (22-1/2" x 26" x 88") | |
| Poids net (sans batterie) | | 7,0 kg (15,4 lbs) | 7,2 kg (15,9 lbs) |

- Étant donné l'évolution constante de notre programme de recherche et développement, les spécifications contenues dans ce manuel sont sujettes à modification sans préavis.
- Les spécifications peuvent varier suivant les pays.
- Les temps de fonctionnement sont approximatifs et peuvent varier suivant le type de batterie, l'état de charge et les conditions d'utilisation.

Batteries et chargeurs applicables






| | | |
|-------------------|--------------------|--|
| Batterie (Makita) | Modèle C.C. 14,4 V | BL1430B |
| | Modèle C.C. 18 V | BL1815N / BL1820B / BL1830 / BL1830B / BL1840B / BL1850B / BL1860B |
| Chargeur (Makita) | | DC18RC / DC18RD / DC18RE / DC18SD / DC18SE / DC18SF / DC18SH |

- Suivant la région où vous habitez, il se peut que certaines des batteries et certains des chargeurs énumérés ci-dessus ne soient pas disponibles.

⚠ MISE EN GARDE : Utilisez exclusivement les batteries et chargeurs énumérés ci-dessus. L'utilisation de toute autre batterie ou tout autre chargeur peut entraîner une blessure et/ou un incendie.

Symboles

Les symboles qui peuvent être utilisés pour l'équipement sont indiqués ci-dessous. Vous devez avoir compris leur signification avant l'utilisation.

| | |
|--|--|
|  | Veuillez lire ce manuel d'instructions. |
| V | volts |
|  | courant continu |
|  | Prenez garde d'écraser vos mains en rappelant la tige d'extension. |
|  | Ne regardez pas fixement la lampe allumée. |
|  | Ouvrez les pieds du trépied avant de faire sortir la tige d'extension. |

CONSIGNES DE SÉCURITÉ

VEUILLEZ LIRE ET RESPECTER TOUTES LES CONSIGNES DE SÉCURITÉ.

MISE EN GARDE - Lors de l'utilisation de l'appareil, les précautions qui suivent doivent toujours être prises :

1. **Pour réduire le risque de blessure, une supervision étroite est nécessaire lorsqu'un produit est utilisé près d'enfants.**
2. **Ne touchez pas les pièces chaudes, pour réduire le risque de brûlures.** La lentille peut être extrêmement chaude pendant et juste après l'utilisation.
3. **Utilisez exclusivement les accessoires recommandés ou vendus par le fabricant.**
4. **N'utilisez pas l'appareil sous la pluie ou la neige.**

5. **Pour réduire le risque de décharge électrique, ne mettez pas l'appareil dans l'eau ou tout autre liquide. Ne mettez pas et ne rangez pas l'appareil là où il peut tomber ou être entraîné dans une baignoire ou un évier.**
 6. **MISE EN GARDE :** Pour réduire le risque de blessure, ne fixez pas la lampe allumée et n'exposez pas les yeux à la lumière. Il y a un risque de blessure grave aux yeux.
 7. **Pour réduire le risque d'incendie, restez à l'écart des matières combustibles pendant l'utilisation.**
 8. **Utilisez exclusivement les accessoires recommandés ou vendus par le fabricant.**
 9. **Ne laissez rien couvrir ou obstruer les événements de l'appareil. Gardez toujours les événements propres pour assurer le refroidissement.** Autrement l'appareil peut s'enflammer.
 10. **N'utilisez la poignée de transport à aucune autre fin que le transport de l'appareil, par exemple pour le hisser.**
 11. **Lorsque vous transportez l'appareil, repliez toujours les pieds du trépied.** Autrement, il risque de tomber et de provoquer un accident.
 12. **Placez l'appareil hors de la portée des enfants.**
 13. **Placez toujours l'appareil à un emplacement plat et stable.** Autrement, il risque de tomber et de provoquer un accident.
 14. **N'utilisez pas l'appareil sous un vent violent.** Autrement, il risque de tomber et de provoquer un accident.
 15. **N'utilisez pas l'appareil dans une atmosphère explosive, par exemple en présence de liquides, gaz ou poussières inflammables.**
 16. **N'exposez pas l'appareil à des étincelles, à une atmosphère corrosive, etc.**
 17. **Lorsque l'appareil n'est pas utilisé, retirez toujours la batterie.**
 18. **Rangez l'appareil à l'intérieur.**
 19. **Ne lavez pas l'appareil dans l'eau.**
 20. **Laissez les étiquettes et la plaque signalétique sur le produit, car elles contiennent des informations importantes.** Si elles ne sont plus lisibles ou si vous les perdez, veuillez contacter le centre de service après-vente MAKITA pour les faire remplacer gratuitement.
 21. **Déconnectez la batterie de l'appareil avant d'effectuer tout réglage, de remplacer les accessoires ou de ranger l'appareil.** Ces mesures préventives réduiront le risque de démarrage accidentel de l'appareil.
 22. **Ne modifiez pas, ou n'essayez pas de réparer l'appareil ou la batterie autrement que comme indiqué dans les instructions d'utilisation et d'entretien.**
 23. **Ne manipulez pas l'appareil brusquement, par exemple en le laissant tomber ou en le heurtant.** Cela peut entraîner un dysfonctionnement ou une blessure.
 24. **Ne manipulez pas le chargeur, y compris sa fiche et ses bornes, avec les mains mouillées.**
 25. **Ne chargez pas la batterie à l'extérieur.**
 26. **Lorsque l'appareil n'est pas utilisé, repliez toujours les pieds du trépied et raccourcissez la tige pour réduire le risque de blessure et de dommages.**
 27. **La source de lumière que contient cette lampe ne doit être remplacée que par le fabricant, son représentant de service après-vente ou une personne similaire qualifiée.**
 28. **Lorsque l'appareil est utilisé à l'extérieur, des vis peuvent être utilisées pour les trous des pieds du trépied en guise de fixation secondaire. Lorsque vous déplacez l'appareil, desserrez et retirez les vis.**
- Utilisation et entretien des outils alimentés par batterie**
1. **Prévenez le démarrage accidentel. Assurez-vous que l'interrupteur est sur la position d'arrêt avant de connecter la batterie, de ramasser l'appareil ou de le transporter.** Transporter l'appareil avec le doigt sur l'interrupteur, ou mettre l'appareil sous tension avec l'interrupteur en position de marche ouvre la porte aux accidents.
 2. **Déconnectez la batterie de l'appareil avant d'effectuer tout réglage, de remplacer les accessoires ou de ranger l'appareil.** De telles mesures de prévention réduisent le risque de démarrage accidentel de l'appareil.
 3. **Pour recharger, utilisez uniquement le chargeur spécifié par le fabricant.** L'utilisation d'un chargeur conçu pour un type donné de bloc-piles comporte un risque d'incendie lorsqu'il est utilisé avec un autre type de bloc-piles.
 4. **N'utilisez un outil électrique qu'avec le bloc-piles conçu spécifiquement pour cet outil.** Il y a un risque de blessure ou d'incendie si un autre bloc-piles est utilisé.
 5. **Lorsque vous n'utilisez pas le bloc-piles, rangez-le à l'écart des objets métalliques tels que trombones, pièces de monnaie, clés, clous, vis ou autres petits objets métalliques qui risqueraient d'établir une connexion entre les bornes.** La mise en court-circuit des bornes de batterie peut causer des brûlures ou un incendie.
 6. **Dans des conditions d'utilisation inadéquates de la batterie, il peut y avoir fuite d'électrolyte; évitez tout contact avec ce liquide. En cas de contact accidentel, rincez avec beaucoup d'eau. Si le liquide pénètre dans vos yeux, il faut aussi consulter un médecin.** L'électrolyte qui s'échappe de la batterie peut causer des irritations ou des brûlures.
 7. **N'utilisez pas une batterie ou un outil s'il est endommagé ou modifié.** Les batteries endommagées ou modifiées peuvent avoir un comportement imprévisible dont peut résulter un incendie, une explosion ou un risque de blessure.
 8. **N'exposez pas une batterie ou un outil au feu ou à une température excessive.** L'exposition au feu ou à une température supérieure à 130 °C peut entraîner une explosion.
 9. **Suivez toutes les instructions de charge et ne chargez pas la batterie ou l'outil à l'extérieur de la plage de température spécifiée dans les instructions.** Charger de manière inadéquate ou à des températures hors de la plage spécifiée peut endommager la batterie et augmenter le risque d'incendie.

10. **Confiez l'entretien à un réparateur qualifié et n'utilisez que des pièces de rechange identiques aux pièces d'origine.** Cela assurera le maintien du produit dans un état sécuritaire.
11. **Ne modifiez pas, ou n'essayez pas de réparer l'appareil ou la batterie autrement que comme indiqué dans les instructions d'utilisation et d'entretien.**
8. **Évitez de clouer, de couper, d'écraser, de lancer ou d'échapper la batterie, ou de heurter un objet dur contre la batterie.** Cela peut entraîner un incendie, une chaleur excessive ou une explosion.
9. **N'utilisez pas une batterie si elle est endommagée.**
10. **Les batteries lithium-ion fournies sont soumises aux exigences de la législation sur les marchandises dangereuses.**

RÉPARATION

1. La réparation de cet appareil ne doit être effectuée que par le personnel de réparation qualifié. L'exécution des réparations ou de l'entretien par un personnel non qualifié peut entraîner un risque de blessure.
2. Pour réparer cet appareil, utilisez uniquement des pièces de rechange identiques aux pièces originales. L'utilisation de pièces non autorisées ou le non-respect des instructions d'entretien peut présenter un risque de décharge électrique ou de blessure.
3. N'incinerez pas cet appareil, même s'il est gravement endommagé. Les batteries peuvent exploser dans le feu. Éliminez l'appareil conformément à la réglementation locale.
11. **Lors de l'élimination de la batterie, retirez-la de l'outil et éliminez-la dans un endroit sûr. Respectez la réglementation locale concernant l'élimination de la batterie.**
12. **N'utilisez les batteries qu'avec les produits spécifiés par Makita.** Installer les batteries sur des produits non conformes peut entraîner un incendie, une chaleur excessive, une explosion ou une fuite d'électrolyte.
13. **Si l'outil reste inutilisé pour une période prolongée, la batterie doit en être retirée.**
14. **Pendant et après l'utilisation, la batterie peut accumuler de la chaleur, ce qui peut causer des brûlures ou des brûlures à basse température. Faites attention lors de la manipulation des batteries chaudes.**
15. **Ne touchez pas la borne de l'outil immédiatement après l'utilisation, car elle peut être assez chaude pour causer des brûlures.**
16. **Ne laissez pas les copeaux, les poussières ou la terre se coincer dans les bornes, les trous et les rainures de la batterie.** Cela peut entraîner un fonctionnement médiocre ou une panne de l'outil ou de la batterie.
17. **À moins que l'outil ne soit compatible avec l'utilisation à proximité des lignes électriques haute tension, n'utilisez pas la batterie à proximité d'une ligne électrique haute tension.** Cela peut entraîner un dysfonctionnement ou une panne de l'outil ou de la batterie.
18. **Gardez la batterie à l'écart des enfants.**

Consignes de sécurité importantes pour la batterie

1. **Avant d'utiliser la batterie, lisez toutes les instructions et les mises en garde apposées sur (1) le chargeur de batterie, (2) la batterie et (3) le produit utilisant la batterie.**
2. **Ne démontez pas et ne modifiez pas la batterie.** Cela peut entraîner un incendie, une chaleur excessive ou une explosion.
3. **Cessez immédiatement l'utilisation si le temps de fonctionnement devient excessivement court. Il y a un risque de surchauffe, de brûlures, voire d'explosion.**
4. **Si l'électrolyte pénètre dans vos yeux, rincez-les à l'eau claire et consultez immédiatement un médecin. Il y a un risque de perte de la vue.**
5. **Ne court-circuitez pas la batterie :**
 - (1) **Ne touchez les bornes avec aucun matériau conducteur.**
 - (2) **Évitez de ranger la batterie dans un conteneur avec d'autres objets métalliques tels que clous, pièces de monnaie, etc.**
 - (3) **Évitez d'exposer la batterie à l'eau ou à la pluie.**

Un court-circuit de la batterie pourrait provoquer un fort courant, une surchauffe, parfois des brûlures et même une panne.
6. **Ne rangez pas et n'utilisez pas l'outil ou la batterie dans des emplacements où la température peut atteindre ou dépasser 50 °C (122 °F).**
7. **Ne jetez pas la batterie au feu même si elle est sérieusement endommagée ou complètement épuisée. La batterie peut exploser au contact du feu.**

CONSERVEZ CES INSTRUCTIONS.

⚠ATTENTION : Utilisez exclusivement les batteries fabriquées par Makita. Les batteries autres que celles fabriquées par Makita ou les batteries modifiées peuvent exploser et causer un incendie, une blessure ou des dommages. Cela annule aussi la garantie Makita de l'outil et du chargeur Makita.

Conseils pour maintenir la durée de service maximale de la batterie

1. Rechargez la batterie avant qu'elle ne soit complètement déchargée. Arrêtez toujours l'outil et rechargez la batterie quand vous remarquez que la puissance de l'outil diminue.
2. Ne rechargez jamais une batterie complètement chargée. La surcharge réduit la durée de service de la batterie.
3. Chargez la batterie à une température ambiante comprise entre 10 °C et 40 °C (50 °F et 104 °F). Si la batterie est chaude, laissez-la refroidir avant de la charger.
4. Lorsque vous n'utilisez pas la batterie, retirez-la de l'outil ou du chargeur.
5. Chargez la batterie si elle est restée inutilisée pendant une période prolongée (plus de six mois).

Mise en garde de la FCC

Pour les États-Unis

Cet appareil est conforme à la Section 15 des Règlements de la FCC. L'utilisation est sujette aux deux conditions suivantes :

- (1) cet appareil ne peut pas causer de brouillage préjudiciable; et
- (2) cet appareil doit accepter tout brouillage subi, y compris le brouillage pouvant causer un fonctionnement indésirable.

Les changements et modifications non explicitement approuvés par la partie responsable de la conformité peuvent annuler le droit de l'utilisateur à utiliser l'équipement.

Note : Cet équipement a fait l'objet d'essais et a été jugé conforme aux limites pour appareil numérique de classe B, en conformité à la Section 15 des Règlements de la FCC. Ces limites sont conçues pour assurer une protection raisonnable contre le brouillage préjudiciable dans une installation résidentielle. Cet équipement génère, utilise et peut rayonner de l'énergie de fréquence radio et, s'il n'est pas installé et utilisé conformément aux instructions, peut causer du brouillage préjudiciable sur les communications radio. Rien ne garantit toutefois qu'il n'y aura pas de brouillage dans une installation particulière. Si cet équipement cause du brouillage préjudiciable sur la réception de la radio ou du téléviseur, ce qui peut être vérifié en éteignant et rallumant l'équipement, l'utilisateur est invité à essayer d'annuler le brouillage par l'une ou plusieurs des mesures suivantes :

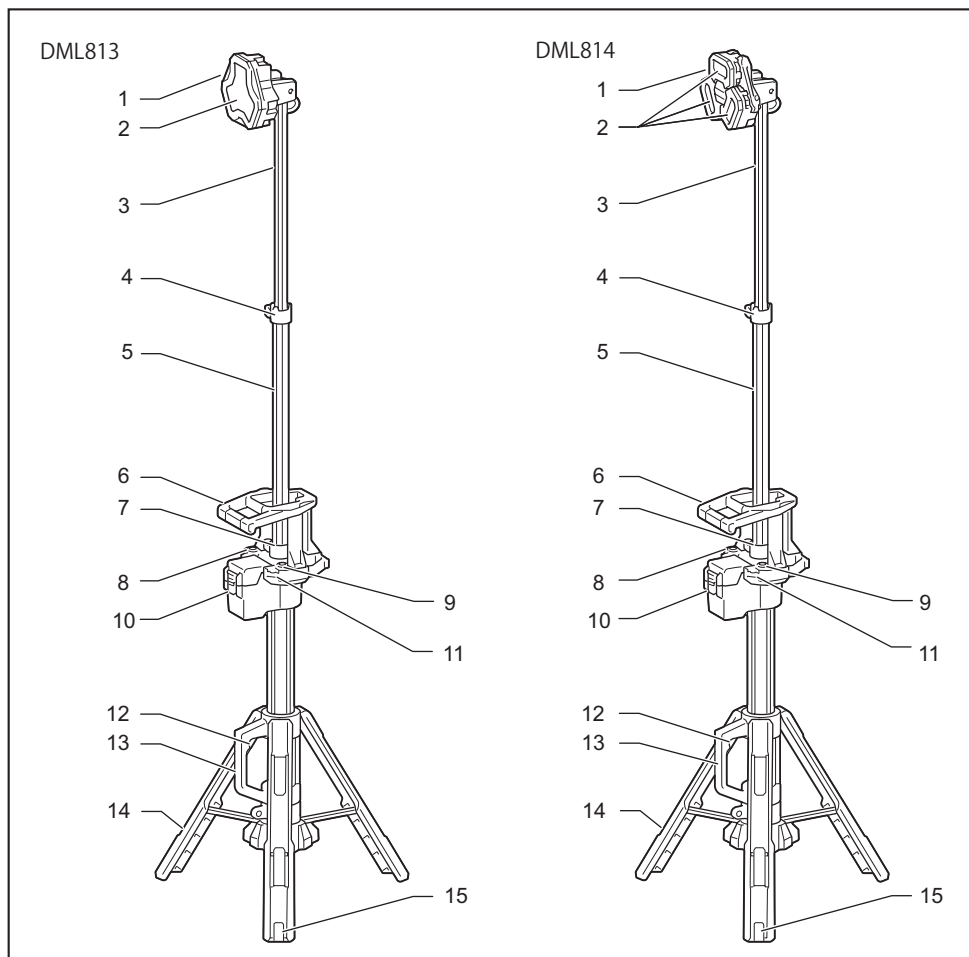
- Réorienter ou déplacer l'antenne de réception.
- Augmenter la distance qui sépare l'équipement du récepteur.
- Brancher l'équipement sur la prise d'un circuit différent de celui sur lequel le récepteur est branché.
- Demander l'aide du détaillant ou d'un technicien radio/TV expérimenté.

Norme ICES-005

Pour le Canada

CAN ICES-005(B)/NMB-005(B)

DESCRIPTION DES PIÈCES



| | | | | | |
|----|------------------------------|----|-----------------------------|----|------------------------------------|
| 1 | Tête de lampe | 2 | Lentille | 3 | Tige d'extension supérieure |
| 4 | Verrou d'extension supérieur | 5 | Tige d'extension inférieure | 6 | Bouton d'alimentation |
| 7 | Verrou d'extension inférieur | 8 | Bouton d'alimentation | 9 | Bouton de changement de luminosité |
| 10 | Compartiment de batterie | 11 | Orifice pour bandoulière | 12 | Bouton de libération du trépied |
| 13 | Poignée de transport | 14 | Pieds du trépied | 15 | Orifice de fixation |

DESCRIPTION DU FONCTIONNEMENT

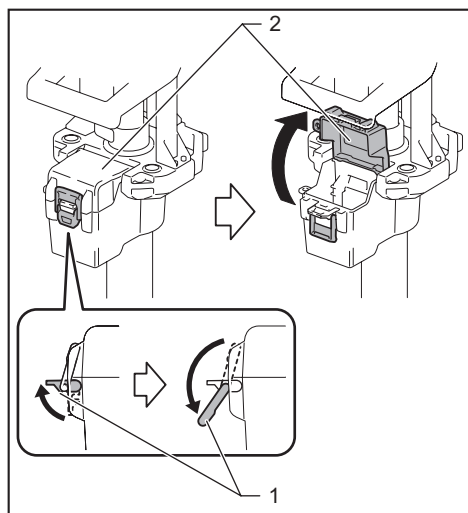
⚠ ATTENTION : Assurez-vous toujours que l'appareil est éteint et que sa batterie est retirée avant de l'ajuster ou de vérifier son fonctionnement.

Installation ou retrait de la batterie

⚠ ATTENTION : Tenez fermement l'appareil et la batterie lors de l'installation ou du retrait de cette dernière. Sinon, l'appareil et la batterie pourraient vous glisser des mains, ce qui risque d'endommager l'appareil et la batterie, ou encore de provoquer des blessures.

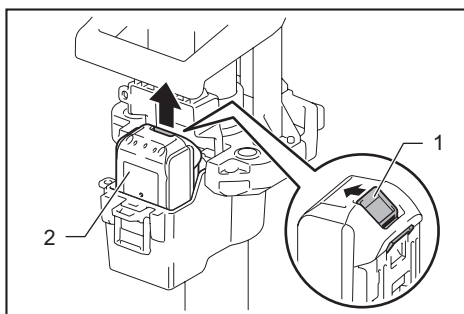
⚠ ATTENTION : Prenez garde de vous coincer les doigts entre l'appareil et la batterie en insérant la batterie, ou entre l'appareil et le couvercle de batterie en fermant ce dernier.

Pour installer la batterie, libérez le verrou du couvercle et ouvrez le couvercle de batterie.



► 1. Verrou du couvercle 2. Couvercle de batterie

Pour installer la batterie, alignez la languette de la batterie sur la rainure du carter et glissez-la en place. Insérez-la à fond, jusqu'à ce qu'elle se verrouille en place avec un léger bruit sec. Fermez ensuite le couvercle de batterie.



► 1. Bouton 2. Batterie

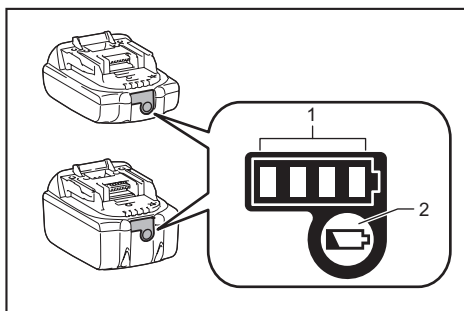
Pour retirer la batterie, faites-la glisser de l'appareil tout en faisant glisser le bouton qui se trouve à l'avant de la batterie.

⚠ ATTENTION : Insérez toujours la batterie à fond. Autrement, elle risque de tomber accidentellement de l'appareil et d'entraîner des blessures.

⚠ ATTENTION : Ne forcez pas sur la batterie pour l'installer. Si la batterie ne glisse pas facilement, c'est qu'elle n'est pas insérée correctement.

Affichage de la charge restante de la batterie

Uniquement pour les batteries avec voyant



► 1. Témoins indicateurs 2. Bouton de vérification

Appuyez sur le bouton de vérification de la batterie pour afficher la charge restante de la batterie. Les témoins indicateurs s'allument pendant quelques secondes.

| Témoins indicateurs | | | Charge restante |
|---------------------|--------|------------|---|
| Allumé | Éteint | Clignotant | |
| ■ | □ | ▧ | 75 % à 100 % |
| ■ | ■ | ■ | 50 % à 75 % |
| ■ | ■ | □ | 25 % à 50 % |
| ■ | □ | □ | 0 % à 25 % |
| ▧ | □ | □ | Chargez la batterie. |
| ■ | ■ | □ | La batterie a peut-être mal fonctionné. |
| □ | □ | ■ | |

NOTE : Suivant les conditions d'utilisation et la température ambiante, il se peut que l'indication soit légèrement différente de la charge réelle.

NOTE : La première lampe témoin (à l'extrémité gauche) clignote lorsque le dispositif de protection de la batterie s'active.

Dispositif de protection de l'appareil et de la batterie

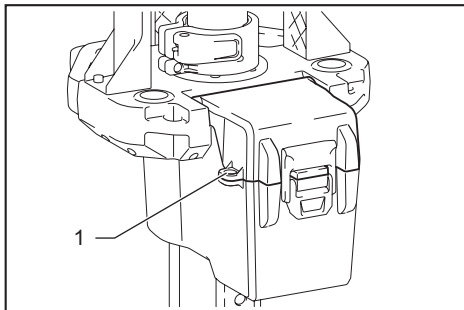
L'appareil est équipé d'un dispositif de protection. Ce dispositif coupe automatiquement l'alimentation pour augmenter la durée de service de l'appareil et de la batterie. L'appareil s'arrête automatiquement pendant l'utilisation lorsque l'appareil ou la batterie se trouve dans l'une des situations suivantes.

Protection contre la décharge excessive

Lorsque la batterie devient faible, les voyants DEL s'éteignent, sauf une partie d'entre eux. Plus tard, le système coupe automatiquement l'alimentation. Le cas échéant, retirez la batterie de l'appareil et chargez-la.

Trou pour cadenas

Un trou pour cadenas est prévu pour prévenir le vol de la batterie.



► 1. Trou pour cadenas

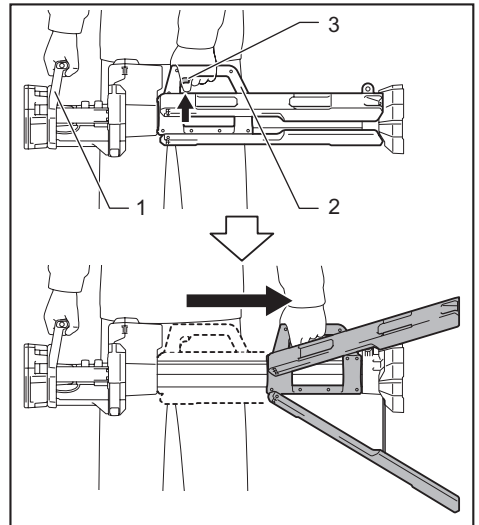
ASSEMBLAGE

ATTENTION : Assurez-vous toujours que l'appareil est éteint et que sa batterie est retirée avant toute intervention sur l'appareil.

Écartement et repliage des pieds du trépied

ATTENTION : Gardez les mains à l'écart des pieds du trépied, et prenez garde de vous pincer les doigts en écartant ou en repliant les pieds du trépied.

1. Tenez l'appareil fermement à deux mains par la poignée horizontale et la poignée de transport.
2. Faites glisser la poignée de transport dans le sens de la flèche, tel qu'illustré, tout en appuyant sur le bouton de libération du trépied.
3. Relâchez le bouton de libération du trépied et assurez-vous que la poignée de transport est fixée sur la position du bas.



- 1. Bouton d'alimentation 2. Poignée de transport 3. Bouton de libération du trépied
4. Pour replier le trépied, faites glisser la poignée de transport dans le sens opposé tout en appuyant sur le bouton de libération du trépied.

Positionnement de la tête de lampe

⚠ ATTENTION : Avant de positionner la tête de lampe, assurez-vous que les pieds du trépied sont complètement écartés et fermement verrouillés en position de verrouillage. Autrement l'appareil risque de s'incliner, de tomber et de provoquer un accident.

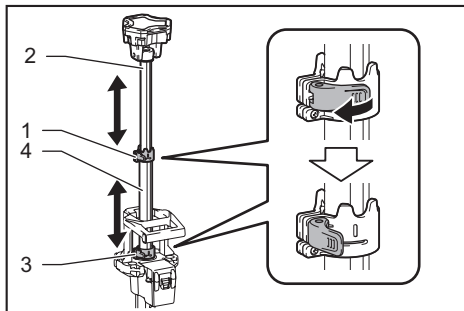
Réglage de la hauteur de la tête de lampe

⚠ ATTENTION : Avant de régler la longueur d'une des tiges d'extension, veillez à ce que l'autre tige d'extension soit fixée fermement par le verrou d'extension. Autrement elle risque de raccourcir de manière inattendue et de causer une blessure.

⚠ ATTENTION : Prenez garde de vous pincer les doigts en réglant la hauteur de la tête de lampe.

⚠ ATTENTION : Ne lâchez pas la tige d'extension pendant que vous réglez sa longueur. Autrement la tête de lampe risque de descendre subitement et de vous pincer les mains ou les doigts.

1. Ouvrez le verrou d'extension supérieur.
2. Ajustez la longueur de la tige d'extension supérieure en tirant dessus ou en la rentrant.
3. Fermez le verrou d'extension supérieur et assurez-vous que la tige d'extension supérieure est fermement fixée.
4. Si une hauteur accrue est nécessaire, ajustez la longueur de la tige d'extension inférieure en procédant de la même façon que ci-dessus.



- 1. Verrou d'extension supérieur 2. Tige d'extension supérieure 3. Verrou d'extension inférieur 4. Tige d'extension inférieure

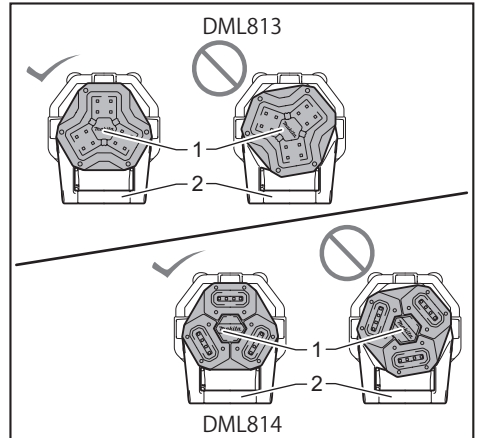
NOTE : Si la force de préhension du verrou diminue, serrez les vis du verrou d'extension. (Reportez-vous à la section sur le serrage des vis.)

Rappel de la tige d'extension

⚠ ATTENTION : Prenez garde de vous coincer le doigt en rappelant la tige d'extension.

AVIS : S'il n'est pas possible de rappeler la tige d'extension doucement, ne la rappelez pas par la force. Le cas échéant, déployez de nouveau la tige d'extension, puis rappelez d'abord la tige d'extension inférieure.

Pour rappeler la tige d'extension, alignez la tête de lampe tel qu'indiqué sur l'illustration, puis rappelez la tige d'extension.

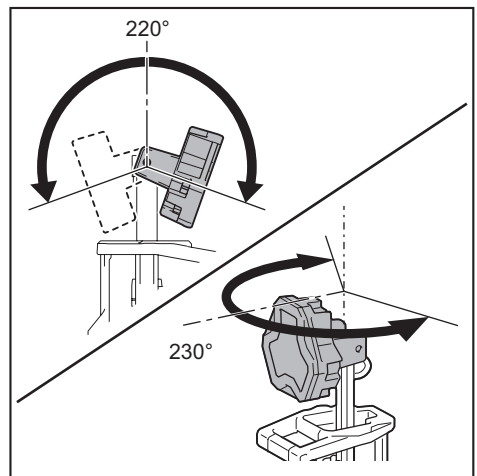


- 1. Tête de lampe 2. Bouton d'alimentation

Réglage de l'angle de la tête de lampe

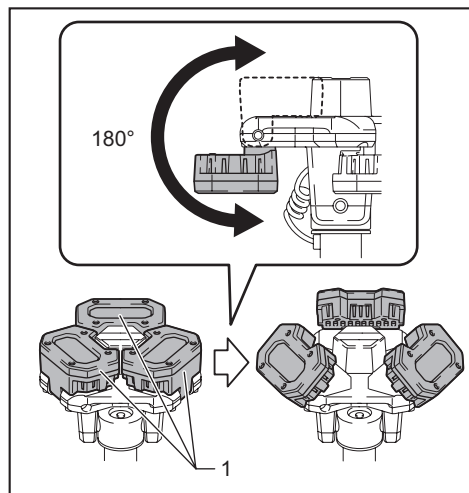
⚠ ATTENTION : Prenez garde de vous pincer les doigts en réglant l'angle de la tête de lampe.

Tournez la tête de lampe tel qu'illustré jusqu'à l'angle désiré.



Pour DML814 uniquement

La zone d'éclairage peut être réglée en tournant les unités de lampe individuelles.



► 1. Unité de lampe

NOTE : Si la force de préhension de la tête de lampe ou d'une unité de lampe diminue, serrez les vis. (Reportez-vous à la section sur le serrage des vis.)

Serrage des vis

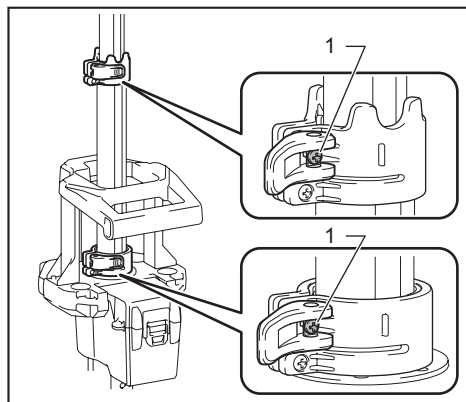
⚠ ATTENTION : Avant de serrer les vis, rentrez complètement les tiges ou mettez l'appareil sur le côté. Autrement la tête de lampe risque de se déplacer accidentellement et de causer une blessure.

AVIS : Ne serrez pas trop la vis. Autrement les parties qu'elle joint risquent de casser.

AVIS : N'utilisez pas un outil électrique pour serrer la vis. Autrement la vis risque d'être trop serrée.

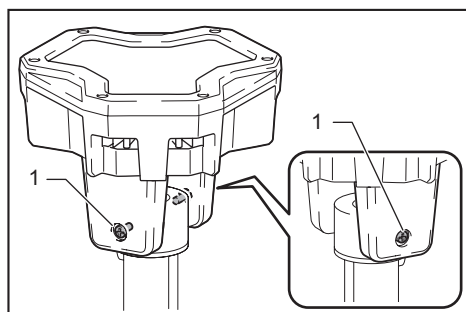
Si la force de préhension de certaines pièces jointes diminue, serrez la vis tel qu'illustré sur la figure.

Pour les verrous d'extension



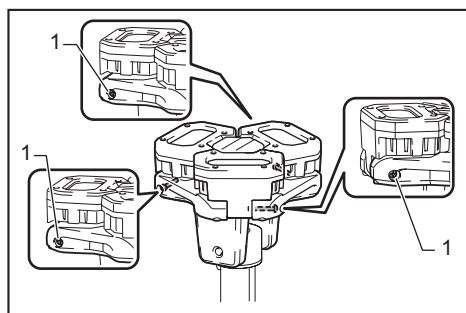
► 1. Vis

Pour la tête de lampe



► 1. Vis

Pour les unités de lampe individuelles (DML814 uniquement)



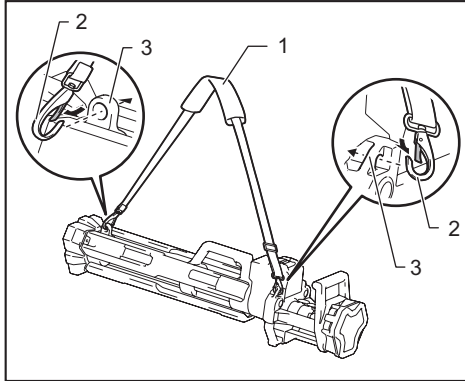
► 1. Vis

Bandoulière

Accessoire en option

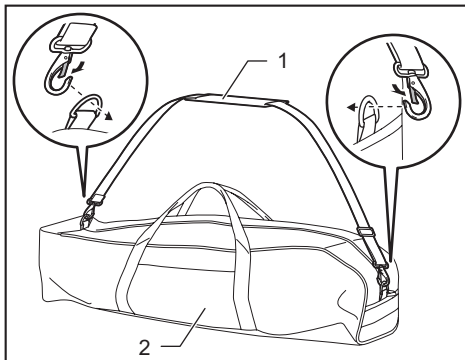
⚠ ATTENTION : Lors du transport de l'appareil, ne lâchez pas la poignée de transport même si vous utilisez la bandoulière. L'appareil sera instable si vous le transportez uniquement avec la bandoulière. La bandoulière peut se détacher, ou l'appareil peut heurter d'autres objets et causer des blessures.

Fixez fermement les crochets de la bandoulière aux montures tel qu'illustré sur la figure.



► 1. Bandoulière 2. Crochet 3. Monture

NOTE : Vous pouvez également fixer la bandoulière au sac souple (accessoire en option) tel qu'illustré.



► 1. Bandoulière 2. Sac de rangement

UTILISATION

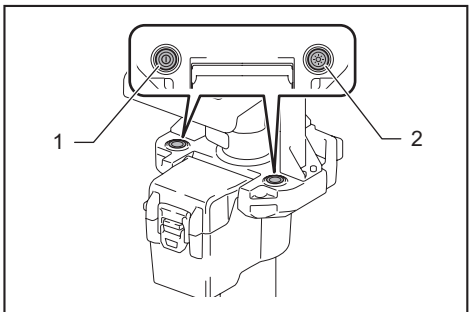
⚠ MISE EN GARDE : Pour réduire le risque de blessure, ne fixez pas la lampe allumée et n'exposez pas les yeux à la lumière. Il y a risque de blessure grave aux yeux.

⚠ MISE EN GARDE : Pour réduire le risque de brûlures et d'incendie, ne touchez pas la tête de lampe et gardez-la à l'écart des matériaux combustibles pendant l'utilisation.

⚠ ATTENTION : Lors de l'utilisation de l'appareil, assurez-vous toujours que les pieds du trépied sont complètement écartés. Autrement, il risque de tomber et de provoquer un accident.

AVIS : Ne forcez pas en appuyant sur les boutons. Autrement, il y a risque de dysfonctionnement.

Interrupteur



► 1. Bouton d'alimentation 2. Bouton de changement de luminosité

Mise sous/hors tension de l'appareil

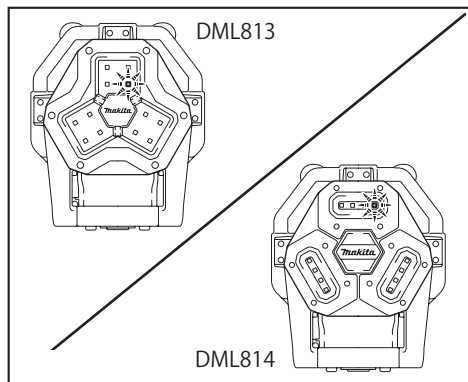
Appuyez sur le bouton d'alimentation pour allumer l'appareil. Appuyez encore une fois sur le bouton d'alimentation pour éteindre l'appareil.

NOTE : L'appareil s'allume avec la même luminosité que lors du dernier réglage.

Modification de la luminosité

Appuyez sur le bouton de changement de luminosité pendant que l'appareil fonctionne. La luminosité diminue chaque fois que vous appuyez sur le bouton de changement de luminosité. La luminosité revient au niveau le plus élevé si vous appuyez alors qu'elle est au niveau le plus bas.

Lorsque la batterie devient faible, les voyants DEL s'éteignent, sauf une partie d'entre eux, tel qu'illustré. (Puis, quelques minutes après, le système coupe automatiquement l'alimentation.) Le cas échéant, retirez la batterie de l'appareil et chargez-la.



ENTRETIEN

ATTENTION : Assurez-vous toujours que l'appareil est éteint et débranché, et que la batterie est retirée avant d'y effectuer tout travail d'inspection ou d'entretien.

AVIS : N'utilisez jamais d'essence, de benzine, de solvant, d'alcool ou autres produits similaires. Une décoloration, une déformation ou la formation de fissures peuvent en découler.

Pour maintenir la SÉCURITÉ et la FIABILITÉ du produit, les réparations et tout autre travail d'entretien ou de réglage doivent être effectués dans un centre de service après-vente autorisé ou une usine Makita, exclusivement avec des pièces de rechange Makita.

Nettoyage

ATTENTION : Ne lavez pas l'appareil dans l'eau.

Essayez régulièrement l'extérieur (le corps) de l'appareil avec un chiffon imprégné d'eau savonneuse.

ACCESSOIRES EN OPTION

ATTENTION : Ces accessoires ou pièces complémentaires sont recommandés pour l'utilisation avec l'outil Makita spécifié dans ce manuel. L'utilisation de tout autre accessoire ou pièce complémentaire peut comporter un risque de blessure. N'utilisez les accessoires ou pièces complémentaires qu'aux fins auxquelles ils ont été conçus.

Si vous désirez obtenir plus de détails sur ces accessoires, veuillez contacter le centre de service après-vente Makita le plus près.

- Bandoulière
- Sac de rangement
- Chargeur et batterie authentiques Makita

NOTE : Certains éléments de la liste peuvent être inclus avec l'outil comme accessoires standards. Ils peuvent varier suivant les pays.

GARANTIE LIMITÉE MAKITA

Pour les conditions de garantie en vigueur qui s'appliquent à ce produit, veuillez vous reporter à la feuille de garantie en annexe. Si la feuille de garantie en annexe n'est pas disponible, reportez-vous aux détails de la garantie présentés sur le site Web de votre pays, ci-dessous.

États-Unis d'Amérique: www.makitatools.com
Canada: www.makita.ca
Autres pays: www.makita.com

ESPECIFICACIONES

| Modelo: | | DML813 | DML814 |
|--|---|---|-------------------|
| Vataje nominal | | 12 piezas, 27 W | |
| Tensión nominal | | 18 V c.c. / 14,4 V c.c. | |
| Flujo luminoso | | 3 000 lm / 1 700 lm / 900 lm | |
| Tiempo de operación (con el modelo BL1850B) | | 3 horas (3 000 lm) / 5,5 horas (1 700 lm) / 10 horas (900 lm) | |
| Dimensiones (La x An x Al) | Posición para plegado | 260 mm x 216 mm x 1 000 mm (10-1/4" x 8-1/2" x 39-3/8") | |
| | Posición para funcionamiento (Altura máxima) | 573 mm x 658 mm x 2 240 mm (22-1/2" x 26" x 88") | |
| Peso neto (sin cartucho de batería) | | 7,0 kg (15,4 lbs) | 7,2 kg (15,9 lbs) |

- Debido a nuestro continuo programa de investigación y desarrollo, las especificaciones aquí incluidas están sujetas a cambio sin previo aviso.
- Las especificaciones pueden variar de país a país.
- Los tiempos de operación son aproximados y pueden variar en función del tipo de batería, el estado de la carga y la condición de uso.

Cartucho de batería y cargador aplicables

| | | |
|---------------------------------|-----------------------|--|
| Cartucho de batería (Makita) | Modelo de 14,4 V c.c. | BL1430B |
| | Modelo de 18 V c.c. | BL1815N / BL1820B / BL1830 / BL1830B / BL1840B / BL1850B / BL1860B |
| Cargador (Makita) | | DC18RC / DC18RD / DC18RE / DC18SD / DC18SE / DC18SF / DC18SH |

- Algunos de los cartuchos de batería y cargadores enumerados arriba podrían no estar disponibles dependiendo de su área de residencia.

⚠ ADVERTENCIA: Use únicamente los cartuchos de batería y los cargadores indicados arriba. El uso de cualquier otro cartucho de batería y cargador podría ocasionar una lesión y/o un incendio.

Símbolos

A continuación se muestran los símbolos que pueden ser utilizados para el equipo. Asegúrese de que entienda su significado antes de utilizar.

| | |
|---|--|
| | Lea el manual de instrucciones. |
| V | volts o voltios |
| | corriente directa o continua |
| | Tenga cuidado de que sus manos no sean aplastadas cuando retraiga el poste de extensión. |
| | No mire fijamente la lámpara mientras se encuentra en funcionamiento. |
| | Abra las patas del trípode antes de jalarlas del poste de extensión. |

ADVERTENCIAS DE SEGURIDAD

LEA Y SIGA TODAS LAS INSTRUCCIONES DE SEGURIDAD. ADVERTENCIA: Cuando se utilice este aparato, siempre deben seguirse las siguientes precauciones:

1. **Para reducir el riesgo de lesiones, se requiere supervisar de cerca cuando un producto sea utilizado cerca de niños.**
2. **No toque las partes calientes para reducir el riesgo de quemaduras.** La lente podría estar extremadamente caliente durante el uso y luego después de su uso.
3. **Utilice solo aditamentos recomendados o vendidos por el fabricante.**
4. **No utilice el aparato en la lluvia ni en la nieve.**

5. Para reducir el riesgo de choque eléctrico, no ponga el aparato en el agua o en otro líquido. No coloque o almacene el aparato en donde pueda caerse o caer dentro de una tina o lavabo.
 6. **ADVERTENCIA:** Para reducir el riesgo de una lesión, no vea la lámpara fijamente mientras está en funcionamiento ni dirija la luz hacia los ojos. Podría causarse una grave lesión ocular.
 7. Para reducir el riesgo de incendios, mantenga el dispositivo alejado de materiales combustibles mientras está en funcionamiento.
 8. Utilice solo aditamentos recomendados o vendidos por el fabricante.
 9. No permita que nada cubra u obstaculice las aberturas de ventilación del aparato. Siempre mantenga la abertura de ventilación limpia para permitir el enfriamiento. De lo contrario, podría causar una flama.
 10. No use el mango portador para otro propósito que no sea el transportar el aparato, como para izarlo.
 11. Cuando transporte el aparato, siempre pliegue las patas del trípode. De lo contrario, podría ocurrir un accidente por caída.
 12. Coloque el aparato fuera del alcance de los niños.
 13. Coloque siempre el aparato sobre un lugar nivelado y estable. De lo contrario, podría ocurrir un accidente por caída.
 14. No use el aparato en lugares con vientos fuertes. De lo contrario, podría ocurrir un accidente por caída.
 15. No utilice el aparato en atmósferas explosivas, tal como en la presencia de líquidos, gases o polvo inflamables.
 16. No exponga el aparato a chispas o a una atmósfera corrosiva, etc.
 17. Cuando no se utilice el aparato, siempre retire el cartucho de batería del aparato.
 18. Almacene el aparato en interiores.
 19. No lave el aparato en agua.
 20. Mantenga las etiquetas y la placa de características en el producto, ya que esta última contiene información importante. Si no se puede leer la información o se extravía, póngase en contacto con el centro de servicio de MAKITA para obtener un reemplazo gratuito.
 21. Desconecte el paquete de baterías del aparato antes de hacer cualquier ajuste, cambiar accesorios o almacenar el aparato. Estas medidas de seguridad preventivas reducen el riesgo de poner en marcha el aparato accidentalmente.
 22. No modifique ni intente reparar el aparato ni el paquete de baterías salvo como se indique en las instrucciones para el uso y cuidado.
 23. No maneje el aparato con rudeza, por ejemplo dejarlo caer o golpearlo. El hacerlo podría ocasionar una avería o una lesión.
 24. No manipule el cargador, incluida la clavija del cargador, ni los terminales con las manos mojadas.
 25. No cargue la batería en exteriores.
 26. Cuando no se utilice el aparato, siempre pliegue las patas del trípode y retraiga el poste para reducir la posibilidad de lesión y cualquier daño.
 27. La fuente de luz contenida en esta luminaria solo deberá ser reemplazada por el fabricante o su agente de servicio o por una persona calificada similar.
 28. Cuando utilice el aparato en exteriores, se pueden usar tornillos para los orificios en las patas del trípode como fijación auxiliar. Cuando mueva el aparato, afloje y retire los tornillos.
- Uso y cuidado de la herramienta a batería**
1. Evite un arranque accidental. Asegúrese de que el interruptor esté en la posición apagada antes de conectar el paquete de baterías, levantar el aparato o cargarlo. Cargar el aparato con su dedo en el interruptor o pasar energía al aparato con el interruptor encendido puede propiciar accidentes.
 2. Desconecte el paquete de baterías del aparato antes de hacer cualquier ajuste, cambiar accesorios o almacenar el aparato. Estas medidas de seguridad preventivas reducen el riesgo de poner en marcha el aparato accidentalmente.
 3. Recargue sólo con el cargador especificado por el fabricante. Un cargador que es adecuado para un solo tipo de batería puede generar riesgo de incendio al ser utilizado con otra batería.
 4. Utilice las herramientas eléctricas solamente con las baterías designadas específicamente para ellas. La utilización de cualquier otra batería puede crear un riesgo de lesiones o incendio.
 5. Cuando no se esté usando la batería, manténgala alejada de otros objetos metálicos, como sujetapapeles (clips), monedas, llaves, clavos, tornillos u otros objetos pequeños de metal los cuales pueden actuar creando una conexión entre las terminales de la batería. Originar un cortocircuito en las terminales puede causar quemaduras o incendios.
 6. En condiciones abusivas, podrá escapar líquido de la batería; evite tocarlo. Si lo toca accidentalmente, enjuague con agua. Si hay contacto del líquido con los ojos, busque asistencia médica. Puede que el líquido expulsado de la batería cause irritación o quemaduras.
 7. No utilice una herramienta ni una batería que estén dañadas o hayan sido modificadas. Las baterías dañadas o modificadas podrían ocasionar una situación inesperada provocando un incendio, explosión o riesgo de lesiones.
 8. No exponga la herramienta ni la batería al fuego ni a una temperatura excesiva. La exposición al fuego o a una temperatura superior a los 130 °C podría causar una explosión.
 9. Siga todas las instrucciones para la carga y evite cargar la herramienta o la batería fuera del rango de temperatura especificado en las instrucciones. Una carga inadecuada o a una temperatura fuera del rango especificado podría dañar la batería e incrementar el riesgo de incendio.
 10. Pida que el servicio lo realice un técnico en reparaciones calificado y que utilice únicamente piezas de repuesto idénticas a las originales. Esto garantizará que se mantenga la seguridad del producto.
 11. No modifique ni intente reparar el aparato ni el paquete de baterías salvo como se indique en las instrucciones para el uso y cuidado.

SERVICIO

1. El servicio a este aparato solamente deberá ser realizado por personal de reparaciones calificado. El servicio o mantenimiento realizados por personal no calificado podría ocasionar un riesgo de lesiones.
2. Cuando se dé servicio a este aparato, utilice únicamente piezas de repuesto idénticas. El uso de piezas no autorizadas o el no seguir las instrucciones de mantenimiento podría crear riesgo de choque eléctrico o lesiones.
3. Nunca incinere este aparato, incluso en el caso de que esté dañado seriamente. Las baterías pueden explotar si se tiran al fuego. Deshágase del aparato de conformidad con las reglamentaciones locales.

Instrucciones importantes de seguridad para el cartucho de batería

1. Antes de utilizar el cartucho de batería, lea todas las instrucciones e indicaciones de precaución en el (1) el cargador de batería, (2) la batería, y (3) el producto con el que se utiliza la batería.
2. No desarme ni modifique el cartucho de batería. Podría ocurrir un incendio, calor excesivo o una explosión.
3. Si el tiempo de operación se ha acortado en exceso, deje de operar de inmediato. Podría correrse el riesgo de sobrecalentamiento, posibles quemaduras e incluso explosión.
4. En caso de que ingresen electrolitos en sus ojos, enjuáguelos bien con agua limpia y consulte de inmediato a un médico. Esto podría ocasionar pérdida de visión.
5. Evite cortocircuitar el cartucho de batería:
 - (1) No toque las terminales con ningún material conductor.
 - (2) Evite guardar el cartucho de batería en un cajón junto con otros objetos metálicos, tales como clavos, monedas, etc.
 - (3) No exponga el cartucho de batería al agua o la lluvia.

Un cortocircuito en la batería puede causar un flujo grande de corriente, sobrecalentamiento, posibles quemaduras e incluso una descompostura.
6. No guarde ni utilice la herramienta y el cartucho de batería en lugares donde la temperatura pueda alcanzar o exceder los 50 °C (122 °F).
7. Nunca incinere el cartucho de batería incluso en el caso de que esté dañado seriamente o ya no sirva en absoluto. El cartucho de batería puede explotar si se tira al fuego.
8. No clave, corte, aplaste, lance o deje caer el cartucho de batería, ni golpee un objeto sólido contra el cartucho de batería. Dicha acción podría resultar en un incendio, calor excesivo o en una explosión.
9. No use una batería dañada.

10. Las baterías de ión de litio están sujetas a los requisitos reglamentarios en materia de bienes peligrosos.

Para el transporte comercial, por ej., mediante terceros o agentes de transporte, se deben tomar en cuenta los requisitos especiales relativos al empaque y el etiquetado.
Para efectuar los preparativos del artículo que se va a enviar, se requiere consultar a un experto en materiales peligrosos. Si es posible, consulte además otras regulaciones nacionales más detalladas.
Pegue o cubra con cinta adhesiva los contactos abiertos y empaque la batería de manera que ésta no pueda moverse dentro del paquete.
11. Para deshacerse del cartucho de batería, sáquelo de la herramienta y deséchelo en un lugar seguro. Siga las regulaciones locales relacionadas al desecho de las baterías.
12. Utilice las baterías únicamente con los productos especificados por Makita. Instalar las baterías en productos que no cumplan con los requisitos podría ocasionar un incendio, un calentamiento excesivo, una explosión o una fuga de electrolito.
13. Si no se utiliza la herramienta por un período largo, debe extraerse la batería de la herramienta.
14. El cartucho de batería podría absorber calor durante y después de su uso, lo que ocasionaría quemaduras o quemaduras a baja temperatura. Tenga cuidado con la manipulación de los cartuchos de batería que estén calientes.
15. No toque el terminal de la herramienta inmediatamente después de su uso, ya que el mismo podría estar lo suficientemente caliente como para provocarle quemaduras.
16. No permita que las rebabas, el polvo o la tierra queden atrapados en los terminales, orificios y ranuras del cartucho de batería. Esto podría ocasionar un desempeño deficiente o descompostura de la herramienta o del cartucho de batería.
17. No utilice el cartucho de batería cerca de cables eléctricos de alto voltaje, a menos que la herramienta sea compatible con el uso cercano a estos cables eléctricos de alto voltaje. Esto podría ocasionar una avería o descompostura de la herramienta o del cartucho de batería.
18. Mantenga la batería alejada de los niños.

GUARDE ESTAS INSTRUCCIONES.

⚠PRECAUCIÓN: Utilice únicamente baterías originales de Makita. El uso de baterías no originales de Makita, o de baterías alteradas, puede ocasionar que las baterías exploten causando un incendio, lesiones personales y daños. Asimismo, esto invalidará la garantía de Makita para la herramienta y el cargador Makita.

Consejos para alargar al máximo la vida útil de la batería

1. **Cargue el cartucho de batería antes de que se descargue completamente. Pare siempre la operación y cargue el cartucho de batería cuando note menos potencia en la herramienta.**
2. **No cargue nunca un cartucho de batería que esté completamente cargado. La sobrecarga acortará la vida de servicio de la batería.**
3. **Cargue el cartucho de batería a una temperatura ambiente de 10 °C - 40 °C (50 °F - 104 °F). Si un cartucho de batería está caliente, déjelo enfriar antes de cargarlo.**
4. **Cuando no utilice el cartucho de batería, sáquelo de la herramienta o del cargador.**
5. **Cargue el cartucho de batería si no va a utilizarlo durante un período prolongado (más de seis meses).**

Precaución de la FCC

Para Estados Unidos

Este dispositivo cumple con lo dispuesto en la Parte 15 de las Normas de la FCC. La operación está sujeta a las siguientes dos condiciones:

- (1) este dispositivo no debe causar una interferencia dañina, y
- (2) este dispositivo debe aceptar cualquier interferencia recibida, incluyendo la interferencia que pueda ocasionar una operación no deseada.

Cualquier cambio o modificación que no haya sido expresamente aprobada por la parte responsable del cumplimiento podría anular la autoridad del usuario para operar el equipo.

Nota: Este equipo fue sometido a pruebas y se ha comprobado que cumple con los límites para un dispositivo digital Clase B, conforme a lo dispuesto en la Parte 15 de las Normas de la FCC. Estos límites están diseñados para proporcionar una protección razonable contra una interferencia dañina en una instalación residencial. Este equipo genera, usa y puede irradiar energía de radiofrecuencia y, si no se instala y se usa de acuerdo con las instrucciones, puede causar una interferencia dañina a las radiocomunicaciones. Sin embargo, no hay ninguna garantía de que la interferencia no ocurrirá en una instalación en particular. Si este equipo llega a causar una interferencia dañina a la recepción de radio o televisión, lo cual puede determinarse encendiendo y apagando el equipo, el usuario deberá intentar corregir la interferencia tomando una o varias de las siguientes medidas:

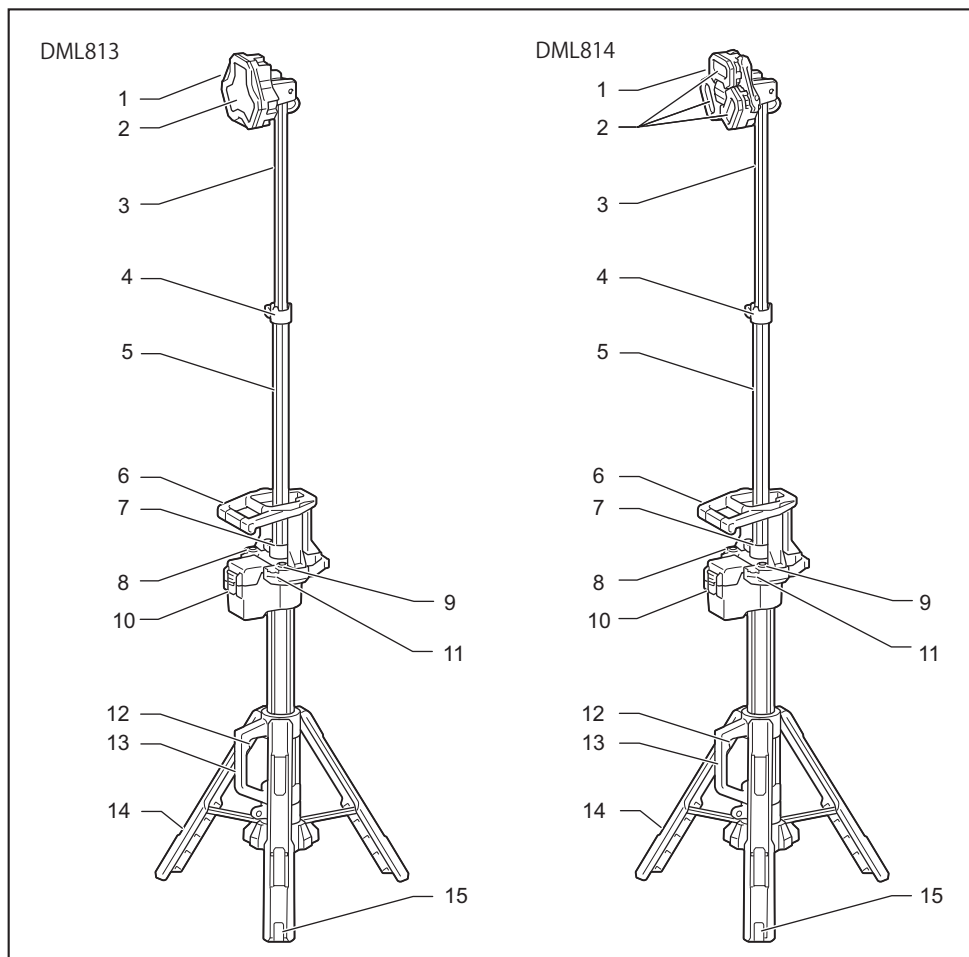
- Reorientar o reubicar la antena receptora.
- Aumentar la separación entre el equipo y el receptor.
- Conectar el equipo a una toma de corriente en un circuito distinto al cual esté conectado el receptor.
- Consultar al distribuidor o a un técnico experto en radio/TV para solicitar asistencia.

Norma ICES-005

Para Canadá

CAN ICES-005(B)/NMB-005(B)

DESCRIPCIÓN DE LAS PIEZAS



| | | | | | |
|----|------------------------------|----|--------------------------------------|----|--------------------------------------|
| 1 | Cabezal de luz | 2 | Lente | 3 | Poste de extensión superior |
| 4 | Seguro de extensión superior | 5 | Poste de extensión inferior | 6 | Botón de interruptor de alimentación |
| 7 | Seguro de extensión inferior | 8 | Botón de interruptor de alimentación | 9 | Botón para cambio de brillo |
| 10 | Compartimento para batería | 11 | Orificio de la correa para el hombro | 12 | Botón de liberación del trípode |
| 13 | Mango portador | 14 | Patas del trípode | 15 | Orificio para fijación |

DESCRIPCIÓN DEL FUNCIONAMIENTO

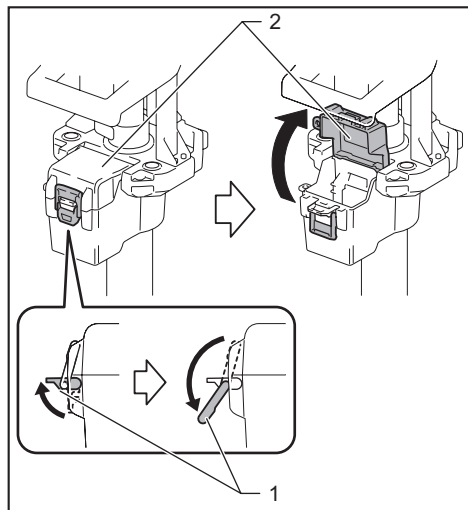
⚠PRECAUCIÓN: Asegúrese siempre de que el aparato esté apagado y que el cartucho de la batería haya sido extraído antes de realizar cualquier ajuste o revisión del funcionamiento del aparato.

Instalación o extracción del cartucho de batería

⚠PRECAUCIÓN: Sujete el aparato y el cartucho de la batería con firmeza al colocar o quitar el cartucho de la batería. Si no se sujeta con firmeza el aparato y el cartucho de la batería, puede ocasionar que se resbalen de sus manos resultando en daños al aparato y al cartucho de la batería, así como lesiones a la persona.

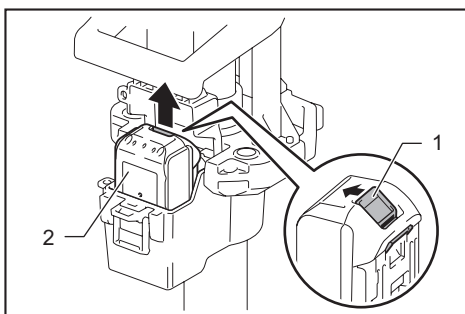
⚠PRECAUCIÓN: Tenga cuidado de que los dedos no queden atrapados entre el dispositivo y el cartucho de la batería cuando cargue el cartucho de la batería, así como entre el aparato y la cubierta de la batería cuando cierre la cubierta de la batería.

Para instalar el cartucho de batería, libere el seguro de la cubierta y abra la cubierta de la batería.



► 1. Seguro de la cubierta 2. Cubierta de la batería

Para instalar el cartucho de batería, alinee la lengüeta sobre el cartucho de batería con la ranura en la carcasa y deslícela hasta su lugar. Insértelo por completo hasta que se fije en su lugar con un pequeño clic. Luego cierre la cubierta de la batería.



► 1. Botón 2. Cartucho de batería

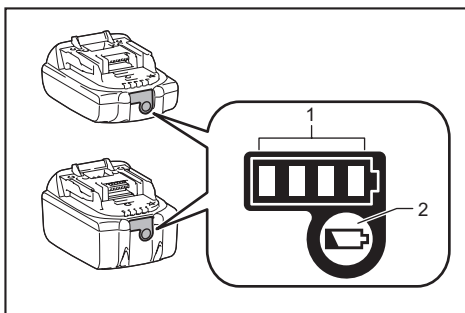
Para quitar el cartucho de batería, deslícelo del aparato mientras desliza el botón sobre la parte delantera del cartucho.

⚠PRECAUCIÓN: Instale siempre el cartucho de batería por completo. De no hacerlo, éste podría caerse accidentalmente del aparato, ocasionándose lesiones a usted o a alguien cerca de usted.

⚠PRECAUCIÓN: No instale el cartucho de batería a la fuerza. Si el cartucho no se desliza al interior fácilmente, se debe a que no está siendo insertado correctamente.

Indicación de la capacidad restante de la batería

Únicamente para cartuchos de batería con el indicador



► 1. Luces indicadoras 2. Botón de verificación

Oprima el botón de verificación en el cartucho de la batería para que indique la capacidad restante de la batería. Las luces indicadoras se iluminarán por algunos segundos.

| Luces indicadoras | | | Capacidad restante |
|-------------------|----------|-------------|---------------------------------------|
| Iluminadas | Apagadas | Parpadeando | |
| ■ | □ | ▧ | 75% a 100% |
| ■ ■ ■ ■ | | | |
| | □ | | 50% a 75% |
| ■ ■ ■ ■ | □ | | |
| | □ | | 25% a 50% |
| ■ ■ ■ ■ | □ □ | | |
| | □ | | 0% a 25% |
| ■ ■ ■ ■ | □ □ □ □ | | |
| ▧ | □ | | Cargar la batería. |
| ■ ■ ■ ■ | □ □ □ □ | | La batería pudo haber funcionado mal. |
| □ □ □ □ | ■ ■ ■ ■ | ↑ ↓ | |

NOTA: Dependiendo de las condiciones de uso y la temperatura ambiente, la indicación podrá diferir ligeramente de la capacidad real.

NOTA: La primera luz indicadora (extrema izquierda) parpadeará cuando el sistema de protección de batería esté en funcionamiento.

Sistema de protección del aparato/batería

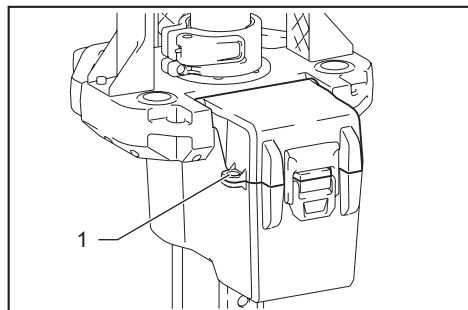
El aparato está equipado con el sistema de protección. Este sistema corta automáticamente la alimentación para prolongar la vida del aparato y de la batería. El aparato se detendrá automáticamente durante la operación si el aparato o la batería se someten a una de las siguientes condiciones.

Protección en caso de sobredescarga

Cuando la capacidad de la batería se reduzca, las luces LED se apagarán salvo una parte de las luces LED. Más tarde, el sistema corta automáticamente la alimentación. En esta situación, retire el cartucho de la batería del aparato y cárguelo.

Orificio para el candado

Se proporciona un orificio para el candado como método antirrobo del cartucho de batería.



► 1. Orificio para el candado

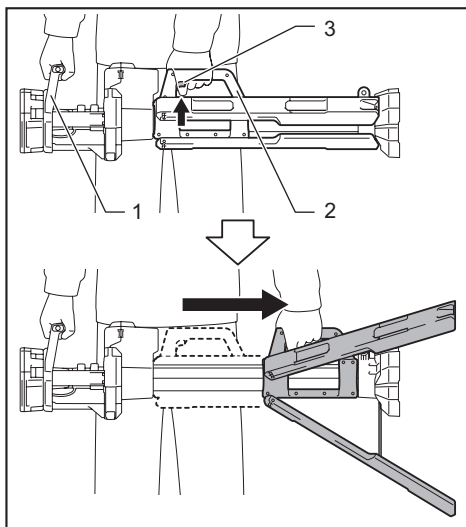
MONTAJE

⚠PRECAUCIÓN: Asegúrese siempre de que el aparato esté apagado y el cartucho de batería haya sido extraído antes de realizar cualquier trabajo en el aparato.

Cómo abrir/plegar las patas del trípode

⚠PRECAUCIÓN: Mantenga las manos alejadas de las patas del trípode y tenga cuidado de no pillarse los dedos cuando abra o pliegue las patas del trípode.

1. Sostenga el mango horizontal y el mango portador con ambas manos firmemente.
2. Deslice el mango portador siguiendo la dirección de la flecha como se ilustra, mientras empuja el botón de liberación del trípode.
3. Suelte el botón de liberación del trípode y asegúrese de que el mango portador esté asegurado en la posición inferior.



► 1. Botón de interruptor de alimentación 2. Mango portador 3. Botón de liberación del trípode

4. Para plegar el trípode, deslice el mango portador en la dirección opuesta mientras presiona el botón de liberación del trípode.

Posicionamiento del cabezal de luz

⚠️ PRECAUCIÓN: Antes de posicionar el cabezal de luz, asegúrese de que las patas del trípode estén completamente abiertas y aseguradas firmemente en la posición de bloqueo. De lo contrario, el aparato podría ladearse y ocurrir un accidente por caída.

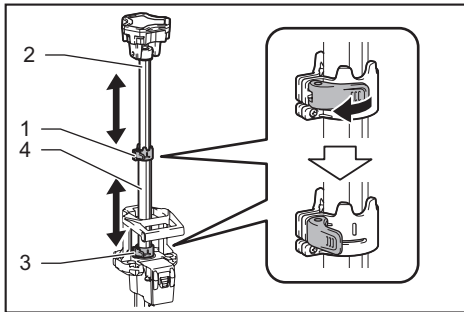
Ajuste de la altura del cabezal de luz

⚠️ PRECAUCIÓN: Cuando ajuste la longitud de un poste de extensión, asegúrese de que el otro poste de extensión quede fijo firmemente por el seguro de extensión. De lo contrario, el poste podría contraerse inesperadamente y ocasionar una lesión.

⚠️ PRECAUCIÓN: Tenga cuidado de no pellizcar sus dedos cuando ajuste la altura del cabezal de luz.

⚠️ PRECAUCIÓN: Siga sujetando el poste de extensión cuando ajuste la longitud del poste de extensión. De lo contrario, el cabezal de luz podría caer rápidamente y pellizcar las manos y los dedos.

1. Abra el seguro de extensión superior.
2. Ajuste la longitud del poste de extensión superior tirando o retrayendo el poste de extensión superior.
3. Cierre el seguro de extensión superior y asegúrese de que el poste de extensión superior quede fijo firmemente.
4. Si se necesita más altura, ajuste la longitud del poste de extensión inferior de la misma manera como se menciona anteriormente.



- 1. Seguro de extensión superior 2. Poste de extensión superior 3. Seguro de extensión inferior 4. Poste de extensión inferior

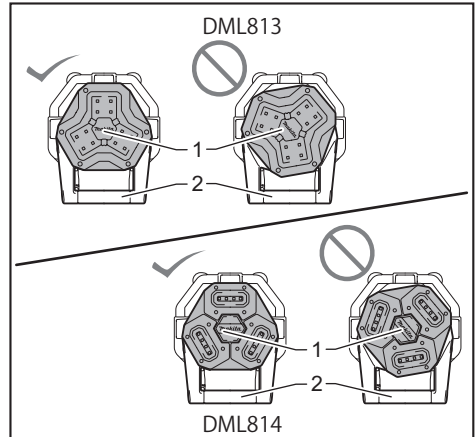
NOTA: Si la fuerza de sujeción del seguro disminuye, apriete los tornillos del seguro de extensión. (Consulte la sección para apretar los tornillos).

Cómo retraer el poste de extensión

⚠️ PRECAUCIÓN: Tenga cuidado de no pellizcar sus dedos cuando retraiga el poste de extensión.

AVISO: Si el poste de extensión no se puede retraer suavemente, no fuerce el poste de extensión para que se retraiga. En este caso, extienda el poste de extensión nuevamente, luego retraiga el poste de extensión inferior primero.

Cuando retraiga el poste de extensión, alinee el cabezal de luz como se muestra en la ilustración, y luego retraiga el poste de extensión.

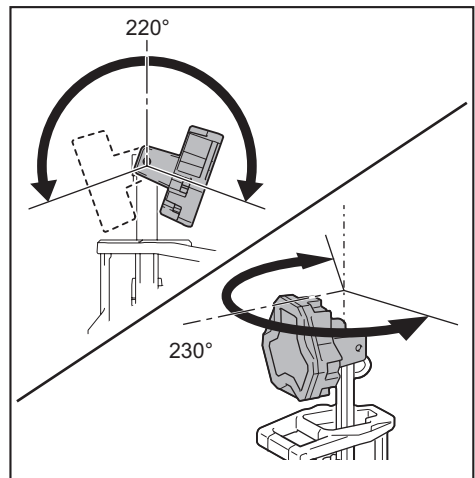


- 1. Cabezal de luz 2. Botón de interruptor de alimentación

Ajuste del ángulo del cabezal de luz

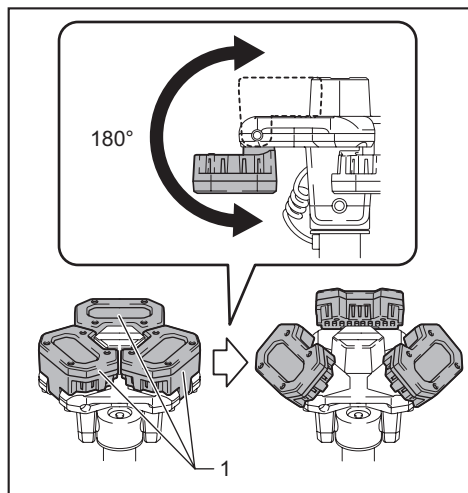
⚠️ PRECAUCIÓN: Tenga cuidado de no pellizcar sus dedos cuando ajuste el ángulo del cabezal de luz.

Gire el cabezal de luz como se ilustra al ángulo deseado.



Para los modelos DML814 solamente

El área de iluminación se puede ajustar girando las lámparas individuales.



► 1. Lámpara

NOTA: Si la fuerza de sujeción del cabezal de luz o lámpara disminuye, apriete los tornillos. (Consulte la sección para apretar los tornillos).

Apretado de tornillos

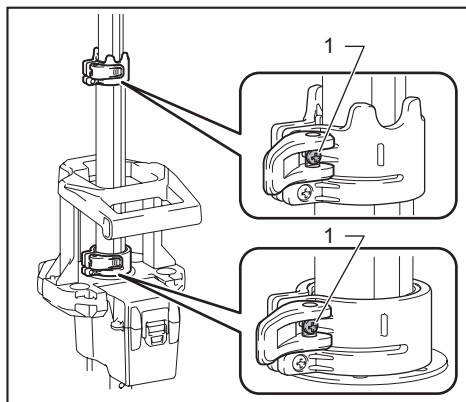
⚠PRECAUCIÓN: Antes de apretar los tornillos, retraiga los postes todo su recorrido o coloque el aparato de costado. De lo contrario, el cabezal de luz podría moverse accidentalmente y ocasionar una lesión.

AVISO: No apriete el tornillo de más. De lo contrario, las partes en unión podrían romperse.

AVISO: No utilice herramientas eléctricas para apretar el tornillo. De lo contrario, el tornillo podría quedar sobreapretado.

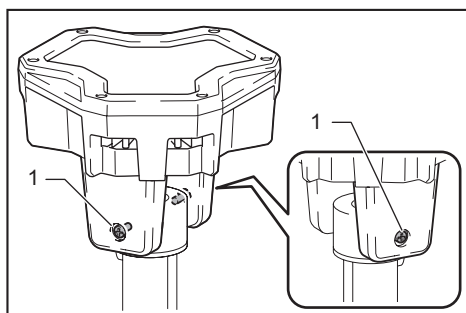
Si la fuerza de agarre de algunas partes de unión disminuye, apriete el tornillo que se muestra en la figura.

Para los seguros de extensión



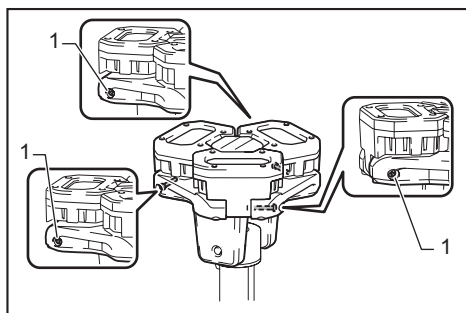
► 1. Tornillo

Para el cabezal de luz



► 1. Tornillo

Para las lámparas individuales (DML814 solamente)



► 1. Tornillo

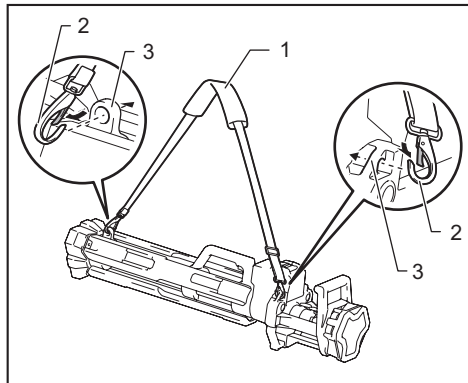
Correa para el hombro

Accesorio opcional

⚠PRECAUCIÓN: Cuando transporte el aparato, siga sosteniendo el mango portador incluso cuando utilice la correa para el hombro.

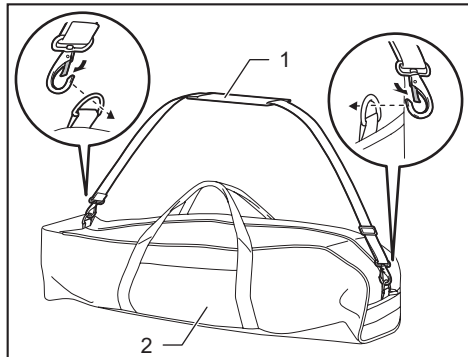
Transportar el aparato mediante la correa para el hombro solamente lo hace inestable. La correa para el hombro puede desprenderse o el aparato puede golpear otros objetos y causar lesiones.

Coloque los ganchos de la correa para el hombro en los soportes, como se muestra claramente en la figura.



► 1. Correa para el hombro 2. Gancho 3. Soporte

NOTA: También puede colocar la correa para el hombro en la bolsa flexible (accesorio opcional), como se ilustra.



► 1. Correa para el hombro 2. Bolsa de herramientas

OPERACIÓN

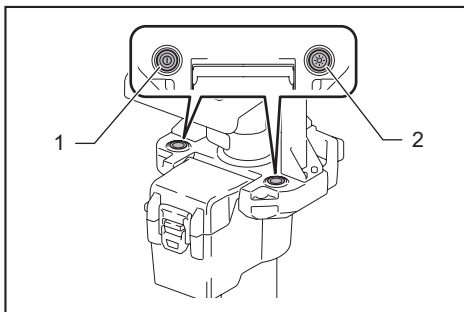
⚠ADVERTENCIA: Para reducir el riesgo de una lesión, no vea la lámpara fijamente mientras está en funcionamiento ni dirija la luz hacia los ojos. Podría causarse una grave lesión ocular.

⚠ADVERTENCIA: Para reducir el riesgo de quemaduras e incendios, no toque el cabezal de luz y manténgalo alejado de materiales combustibles mientras está en funcionamiento.

⚠PRECAUCIÓN: Cuando utilice el aparato, siempre asegúrese de que las patas del trípode estén en una posición completamente abierta. De lo contrario, podría ocurrir un accidente por caída.

AVISO: No oprima los botones a la fuerza. De lo contrario, podría ocurrir un desperfecto.

Accionamiento del interruptor



► 1. Botón de interruptor de alimentación 2. Botón para cambio de brillo

Encendido / apagado de la herramienta.

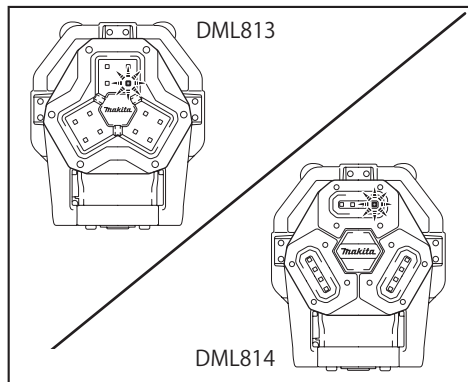
Oprima el botón de interruptor de alimentación para encender el aparato. Oprima el botón de interruptor de alimentación nuevamente para apagar el aparato.

NOTA: El aparato se enciende al mismo nivel de brillo que la configuración más reciente.

Cambio del brillo

Oprima el botón para cambio de brillo mientras el aparato está en operación. El brillo disminuye cada vez que presiona el botón para cambio de brillo. El brillo volverá al nivel más alto cuando funcione en el brillo más bajo.

Cuando la capacidad de la batería se reduzca, las luces LED se apagarán salvo una parte de las luces LED, según se ilustra. Luego, unos minutos más tarde, el sistema corta automáticamente la alimentación. En esta situación, retire el cartucho de la batería del aparato y cárguelo.



MANTENIMIENTO

PRECAUCIÓN: Asegúrese siempre de que el aparato haya sido apagado y desconectado, y que el cartucho de batería haya sido extraído antes de intentar realizar una inspección o tarea de mantenimiento.

AVISO: Nunca use gasolina, bencina, diluyente (tíner), alcohol o sustancias similares. Puede que esto ocasione grietas o descoloramiento.

Para mantener la SEGURIDAD y FIABILIDAD del producto, las reparaciones, y cualquier otra tarea de mantenimiento o ajuste deberán ser realizadas en centros de servicio autorizados o de fábrica Makita, empleando siempre repuestos Makita.

Limpeza

PRECAUCIÓN: No lave el aparato en agua.

De vez en cuando, limpie el exterior (cuerpo del aparato) del mismo usando un paño húmedo y agua enjabonada.

ACCESORIOS OPCIONALES

PRECAUCIÓN: Estos accesorios o aditamentos están recomendados para utilizarse con su herramienta Makita especificada en este manual. El empleo de cualquier otro accesorio o aditamento puede conllevar el riesgo de lesiones personales. Utilice los accesorios o aditamentos solamente para su fin establecido.

Si necesita cualquier ayuda para más detalles en relación con estos accesorios, pregunte a su centro de servicio local Makita.

- Correa para el hombro
- Bolsa de herramientas
- Batería y cargador originales de Makita

NOTA: Algunos de los artículos en la lista pueden incluirse en el paquete de la herramienta como accesorios estándar. Éstos pueden variar de país a país.

GARANTÍA LIMITADA DE MAKITA

Ésta Garantía no aplica para México

Consulte la hoja de la garantía anexa para ver los términos más vigentes de la garantía aplicable a este producto. En caso de no disponer de esta hoja de garantía anexa, consulte los detalles sobre la garantía descritos en el sitio web de su país respectivo indicado a continuación.

Estados Unidos de América: www.makitatools.com

Canadá: www.makita.ca

Otros países: www.makita.com

ESPECIFICAÇÕES

| Modelo: | | DML813 | DML814 |
|--|--|---|-------------------|
| Potência nominal | | 12 unid., 27 W | |
| Tensão nominal | | 18 V / 14,4 V CC | |
| Fluxo luminoso | | 3.000 lm / 1.700 lm / 900 lm | |
| Tempo de operação (com a bateria BL1850B) | | 3 horas (3.000 lm) / 5,5 horas (1.700 lm) / 10 horas (900 lm) | |
| Dimensões (C x L x A) | Retraído | 260 mm x 216 mm x 1.000 mm (10-1/4" x 8-1/2" x 39-3/8") | |
| | Posição de operação (altura máxima) | 573 mm x 658 mm x 2.240 mm (22-1/2" x 26" x 88") | |
| Peso líquido (sem a bateria) | | 7,0 kg (15,4 lbs) | 7,2 kg (15,9 lbs) |

- Devido ao nosso contínuo programa de pesquisa e desenvolvimento, reservamo-nos o direito de alterar especificações de partes e acessórios que constam neste manual, sem aviso prévio.
- As especificações podem diferir de país para país.
- Os tempos de operação são aproximados e podem diferir de acordo com o tipo de bateria, o status da carga e as condições de uso.

Bateria e carregador aplicáveis

| | | |
|------------------------|--|--|
| Bateria (Makita) | Modelo de 14,4 V CC | BL1430B |
| | Modelo de 18 V CC | BL1815N / BL1820B / BL1830 / BL1830B / BL1840B / BL1850B / BL1860B |
| Carregador (Makita) | DC18RC / DC18RD / DC18RE / DC18SD / DC18SE / DC18SF / DC18SH | |

- Alguns dos carregadores e baterias listados acima podem não estar disponíveis na sua região de residência.

⚠️ AVISO: Use somente as baterias e carregadores listados acima. O uso de outras baterias e carregadores pode provocar ferimentos e/ou incêndios.

Símbolos

Os símbolos mostrados a seguir podem ser usados para o equipamento. Certifique-se de compreender o significado deles antes de usar o equipamento.



Leia o manual de instruções.

V

volts



corrente contínua



Tome cuidado para não prender as mãos ao retrain a coluna de extensão.



Não olhe diretamente para a luz acesa.



Abra as pernas do tripé antes de puxar a coluna de extensão para fora.

AVISOS DE SEGURANÇA

LEIA E SIGA TODAS AS INSTRUÇÕES DE SEGURANÇA. AVISO - Quando usar este aparelho, as precauções a seguir devem sempre ser tomadas:

1. Para reduzir o risco de ferimentos, é necessário manter uma supervisão atenta quando o produto estiver sendo usado próximo a crianças.
2. Evite encostar nas peças quentes para reduzir o risco de queimaduras. A lente pode ficar extremamente quente durante e logo após o uso.
3. Use somente acessórios recomendados ou vendidos pelo fabricante.
4. Não use o aparelho na chuva ou neve.
5. Para reduzir o risco de choques elétricos, não coloque o aparelho na água ou em outro líquido. Não coloque nem guarde o aparelho em um local de onde ele possa cair ou ser puxado para dentro de uma banheira ou pia.
6. AVISO: Para reduzir o risco de lesões, não olhe diretamente para a lâmpada acesa, nem exponha os olhos à luz. Lesões oculares sérias podem ocorrer.

7. **Para reduzir o risco de incêndios, mantenha afastado de materiais combustíveis durante a operação.**
8. **Use somente acessórios recomendados ou vendidos pelo fabricante.**
9. **Não permita que nada cubra ou obstrua as aberturas de ventilação do aparelho. Mantenha as aberturas de ventilação sempre limpas para permitir o resfriamento.** Caso contrário, um incêndio poderá ser provocado.
10. **Não use a alça de transporte para nenhuma outra finalidade que não o transporte do aparelho, como por exemplo, para fins de içamento.**
11. **Quando transportar o aparelho, feche sempre as pernas do tripé.** Caso contrário, um acidente com queda de objeto poderá acontecer.
12. **Mantenha o aparelho fora do alcance de crianças.**
13. **Mantenha sempre o aparelho sobre uma superfície nivelada e estável.** Caso contrário, ele poderá cair e provocar um acidente.
14. **Não use o aparelho em um local com ventos fortes.** Se isso for feito, um acidente com queda de objeto poderá acontecer.
15. **Não use o aparelho em atmosferas explosivas, como por exemplo, na presença de líquidos, gases ou poeiras inflamáveis.**
16. **Não exponha o aparelho a faíscas, atmosferas corrosivas, etc.**
17. **Remova sempre a bateria do aparelho quando ele não estiver em uso.**
18. **Guarde o aparelho em áreas internas fechadas.**
19. **Não lave o aparelho com água.**
20. **Mantenha as etiquetas e a plaqueta de identificação no produto, pois elas contêm informações importantes.** Se elas não puderem ser lidas, ou se forem perdidas, entre em contato com um centro de assistência técnica autorizado Makita para obter novas gratuitamente.
21. **Desconecte a bateria do aparelho antes de fazer ajustes, trocar acessórios ou guardar o aparelho.** Estas medidas preventivas de segurança reduzem o risco de o aparelho ser acionado acidentalmente.
22. **Não modifique nem tente reparar o aparelho ou a bateria, exceto conforme indicado nas instruções de uso e cuidados.**
23. **Não manuseie o aparelho descuidadamente, como por exemplo, derrubando-o ou deixando que se choque contra algo.** Fazer isso poderá causar problemas de funcionamento ou ferimentos.
24. **Não manuseie o carregador, incluindo a tomada e os terminais deste, com as mãos molhadas.**
25. **Não recarregue a bateria ao ar livre.**
26. **Quando o aparelho não estiver sendo usado, feche as pernas do tripé e retraia a coluna para reduzir o risco de ferimentos e danos.**
27. **A fonte luminosa contida nesta luminária somente deve ser trocada pelo fabricante, seu representante de serviço ou uma pessoa com qualificação semelhante.**
28. **Quando o aparelho é usado ao ar livre, não é possível usar parafusos nos furos das pernas do tripé como fixação auxiliar.** Para mover o aparelho, desaperte e remova os parafusos.

Uso e cuidados de manuseio da bateria

1. **Evite ligar o aparelho acidentalmente. Certifique-se de que o interruptor está na posição desligado antes de instalar a bateria e antes de pegar ou carregar o aparelho.** Carregar o aparelho com o dedo no interruptor ou energizar aparelhos com o interruptor ligado favorece a ocorrência de acidentes.
2. **Desconecte a bateria do aparelho antes de fazer ajustes, trocar acessórios ou guardar o aparelho.** Estas medidas preventivas de segurança reduzem o risco de o aparelho ser acionado acidentalmente.
3. **Recarregue somente com o carregador especificado pelo fabricante.** Um carregador que é adequado para um tipo de bateria pode criar risco de incêndio quando usado com outra bateria.
4. **Use as ferramentas elétricas somente com as baterias especificamente designadas.** O uso de qualquer outro tipo de bateria pode criar riscos de lesão e incêndio.
5. **Quando a bateria não estiver em uso, mantenha-a longe de outros objetos metálicos, como cliques, moedas, chaves, pregos, parafusos, etc., que podem conectar um terminal ao outro.** O curto-circuito dos terminais da bateria pode causar queimaduras ou incêndio.
6. **Sob condições extremas, a bateria pode ejetar líquido; evite contato com tal líquido. Se ocorrer um contato acidental, lave com água. Se o líquido entrar nos olhos, procure também assistência médica.** O líquido ejetado pela bateria pode causar irritação e queimaduras.
7. **Não use uma bateria ou ferramenta que esteja danificada ou tenha sido modificada.** Baterias danificadas ou modificadas podem exibir um comportamento imprevisível, resultando em incêndio, explosão ou risco de lesões.
8. **Não exponha a bateria nem a ferramenta a chamas ou a temperaturas excessivas.** A exposição a chamas ou a uma temperatura acima de 130 °C podem causar explosão.
9. **Siga todas as instruções de carregamento e não carregue a bateria nem a ferramenta fora da faixa de temperatura especificada nas instruções.** O carregamento inadequado ou a temperaturas fora da faixa especificada pode danificar a bateria e aumentar o risco de incêndio.
10. **Providencie para que a manutenção e os reparos sejam realizados por pessoal qualificado, utilizando somente peças de reposição idênticas.** Isto garantirá que a segurança do produto seja mantida.
11. **Não modifique nem tente reparar o aparelho ou a bateria, exceto conforme indicado nas instruções de uso e cuidados.**

ASSISTÊNCIA TÉCNICA

1. A assistência técnica do aparelho deve ser somente realizada por pessoal de reparos qualificado. A assistência técnica ou manutenção realizada por pessoal não qualificado pode resultar em risco de ferimentos.
2. Ao fazer a manutenção deste aparelho, utilize somente peças de reposição idênticas. O uso de peças não autorizadas, ou o descumprimento das instruções de manutenção, podem criar riscos de choques elétricos ou de ferimentos.
3. Não incinere este aparelho, mesmo se ele estiver seriamente danificado. As baterias podem explodir no fogo. Descarte o aparelho de acordo com as regulamentações locais.

Instruções de segurança importantes para o cartucho da bateria

1. Antes de utilizar a bateria, leia todas as instruções e notas de precaução do (1) carregador de bateria, da (2) bateria e do (3) produto usando a bateria.
2. Não desmonte nem adultere a bateria. Isto poderia resultar em incêndio, aquecimento excessivo ou explosão.
3. Se o tempo de operação se tornar excessivamente mais curto, pare imediatamente a operação. Operação nessas condições poderá resultar em superaquecimento, possíveis queimaduras e até explosão.
4. Caso caia eletrólitos em seus olhos, lave-os com água limpa e procure assistência de um médico imediatamente. Esse acidente pode resultar na perda de visão.
5. Não provoque um curto-circuito na bateria:
 - (1) Não toque nos terminais com nenhum material condutor.
 - (2) Não guarde a bateria junto com outros objetos metálicos, tais como pregos, moedas, etc.
 - (3) Não exponha a bateria à chuva ou água. Um curto-circuito na bateria pode causar sobrecarga de corrente, aquecimento excessivo ou possíveis queimaduras ou avarias.
6. Não guarde nem use a ferramenta e a bateria em locais onde a temperatura possa atingir ou ultrapassar 50°C.
7. Não queime a bateria mesmo se estiver severamente danificada ou gasta. A bateria pode explodir no fogo.
8. Não perfure, corte, amasse, arremesse ou derrube a bateria, nem a atinja com um objeto rígido. Isto poderia resultar em incêndio, aquecimento excessivo ou explosão.
9. Não utilize uma bateria danificada.
10. As baterias de íons de lítio desta máquina estão sujeitas aos requisitos da legislação de produtos perigosos.

Para transportes comerciais, por exemplo por terceiros e agentes de embarque, os requisitos especiais referentes a embalagem e rotulação devem ser obedecidos. Para a preparação do item sendo expedido, é necessário consultar um especialista em materiais perigosos. Considere também que as regulamentações nacionais podem ser mais detalhadas e devem ser obedecidas. Coloque fita ou tape os contatos abertos e embale a bateria de maneira que não se mova dentro da embalagem.
11. Para descartar a bateria, retire-a da ferramenta e descarte-a em um local seguro. Siga as regulamentações locais referentes ao descarte de baterias.
12. Use as baterias somente com os produtos especificados pela Makita. A instalação das baterias com produtos não compatíveis poderá resultar em incêndio, aquecimento excessivo, explosão ou vazamento de eletrólito.
13. A bateria deverá ser retirada da ferramenta caso esta não vá ser usada por um período de tempo prolongado.
14. Durante e após o uso, a bateria pode ficar quente e causar queimaduras normais ou queimaduras de baixa temperatura. Preste atenção ao manusear baterias quentes.

15. Não toque no terminal da ferramenta imediatamente depois de usá-la, uma vez que ele pode ficar quente o bastante para provocar queimaduras.
16. Não permita que aparas, poeira ou solo fiquem presos nos terminais, furos e ranhuras da bateria. Isso poderia resultar no desempenho deficiente ou em avarias da ferramenta ou da bateria.
17. A menos que a ferramenta seja compatível com o uso nas proximidades de linhas elétricas de alta tensão, não a use próximo a estas. Isso poderia resultar em problemas de funcionamento ou em avarias da ferramenta ou da bateria.
18. Mantenha a bateria fora do alcance de crianças.

GUARDE ESTAS INSTRUÇÕES.

⚠PRECAUÇÃO: Use somente baterias Makita originais. O uso de baterias Makita não originais ou baterias que foram alteradas pode causar a explosão da bateria e resultar em incêndio, ferimentos às pessoas na área e danos aos equipamentos. O uso de baterias não originais cancela a garantia Makita tanto para a ferramenta quanto para o carregador da bateria.

Dicas para manter a vida útil máxima da bateria

1. Carregue a bateria antes de uma descarga completa. Sempre pare a operação da ferramenta e carregue a bateria quando notar perda de potência.
2. Nunca recarregue uma bateria completamente carregada. O carregamento demorado diminuirá a vida útil da bateria.
3. Carregue a bateria em uma temperatura ambiente entre 10°C e 40°C. Deixe a bateria esfriar antes de carregá-la.
4. Quando não estiver usando a bateria, remova-a da ferramenta ou do carregador.
5. Carregue a bateria se não utilizá-la por um longo período de tempo (mais de seis meses).

Advertência da FCC

Para os Estados Unidos

Este dispositivo atende à Parte 15 das Normas da FCC. A operação está sujeita às duas condições a seguir:

- (1) este dispositivo não pode causar interferência prejudicial, e
 - (2) este dispositivo deve aceitar todas as interferências recebidas, incluindo interferências que possam causar a operação indesejada.
- As mudanças ou modificações não aprovadas expressamente pela parte responsável por conformidade poderão invalidar a autoridade do usuário para operar o equipamento.

Nota: Este equipamento foi testado, tendo-se determinado que ele atende aos limites estabelecidos para um Dispositivo Digital Classe B, de acordo com a parte 15 das Normas da FCC. Estes limites têm por finalidade proporcionar proteção razoável contra interferência prejudicial em uma instalação residencial. Este equipamento gera, utiliza e pode irradiar energia de radiofrequência e, se não instalado e utilizado de acordo com as instruções, pode causar interferência prejudicial com comunicações de rádio. Todavia, não há garantias de que tal interferência não ocorrerá em determinadas instalações. Se este equipamento causar interferência prejudicial em recepções de rádio ou televisão, o que pode ser determinado ligando-se e desligando-se o equipamento, recomenda-se que o usuário tente corrigir essa interferência adotando uma ou mais das medidas a seguir:

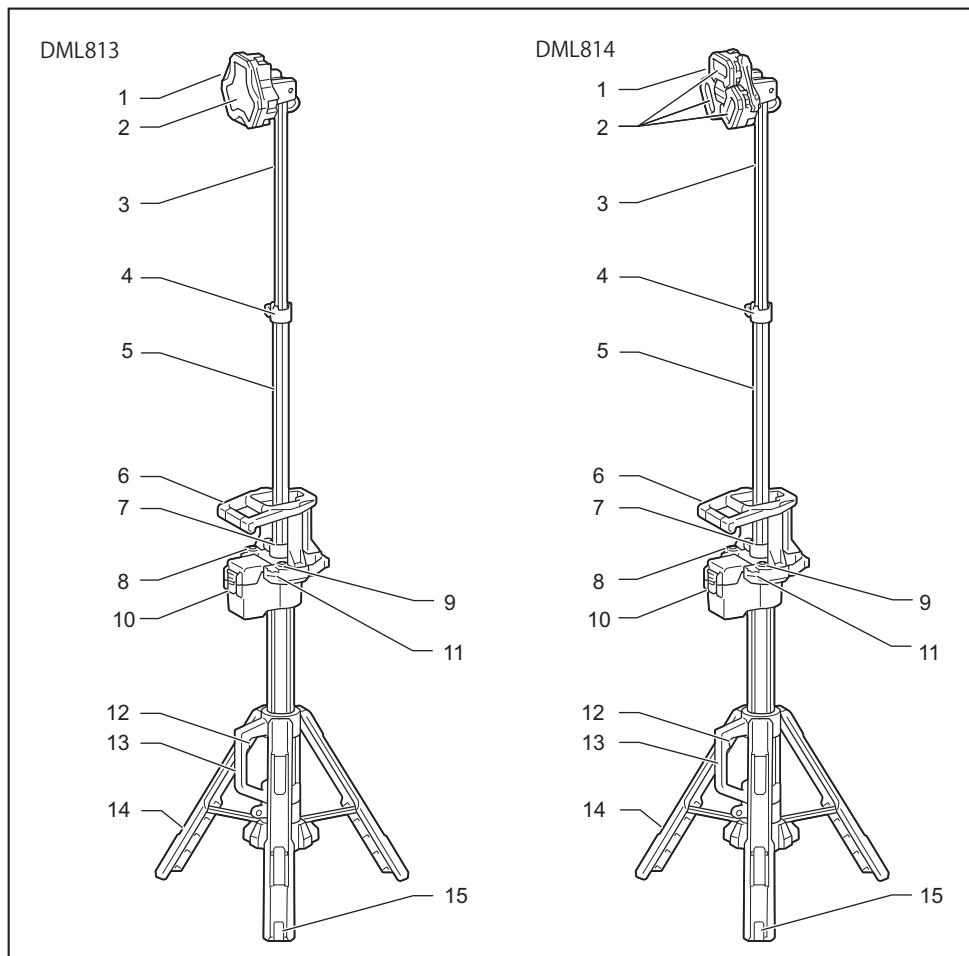
- Reorientar ou reposicionar a antena de recepção.
- Aumentar a distância entre o equipamento e o receptor.
- Conectar o equipamento a uma tomada de um circuito diferente daquele ao qual o receptor está conectado.
- Consultar o revendedor ou um técnico de rádio/TV qualificado para obter ajuda.

Norma ICES-005

Para o Canadá

CAN ICES-005(B)/NMB-005(B)

DESCRIÇÃO DAS PEÇAS



| | | | | | |
|----|----------------------------|----|-----------------------------|----|--|
| 1 | Refletor | 2 | Lente | 3 | Coluna de extensão superior |
| 4 | Trava da extensão superior | 5 | Coluna de extensão inferior | 6 | Botão liga/desliga |
| 7 | Trava da extensão inferior | 8 | Botão liga/desliga | 9 | Botão de mudança de intensidade luminosa |
| 10 | Compartimento da bateria | 11 | Furo para alça de ombro | 12 | Botão de destravamento do tripé |
| 13 | Alça de transporte | 14 | Pernas do tripé | 15 | Furo para fixação |

DESCRIÇÃO FUNCIONAL

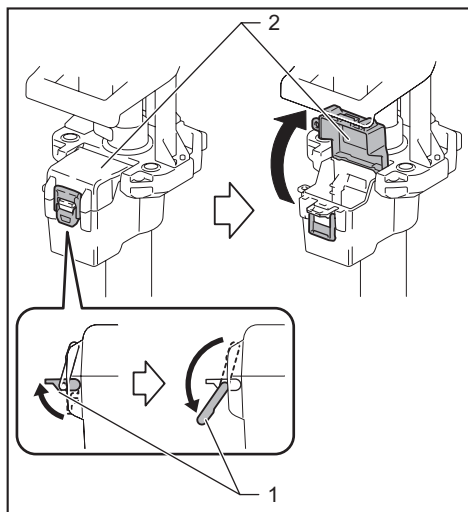
⚠️PRECAUÇÃO: Certifique-se sempre de que o aparelho está desligado e que a bateria foi retirada antes de executar ajustes ou de verificar o funcionamento do aparelho.

Instalação ou remoção da bateria

⚠️PRECAUÇÃO: Segure o aparelho e a bateria com firmeza ao instalar ou remover a bateria. Não segurar o aparelho e a bateria com firmeza pode fazer com que eles escorreguem de suas mãos, danificando o aparelho e a bateria e causando ferimentos pessoais.

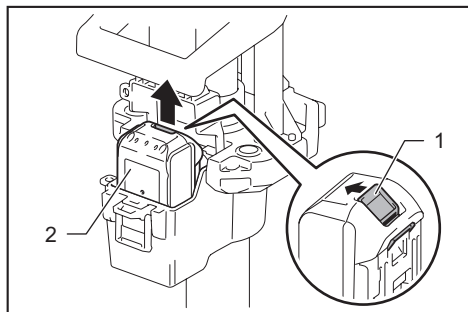
⚠️PRECAUÇÃO: Tome cuidado para não prender o(s) dedo(s) entre o aparelho e a bateria ao colocar esta, nem entre o aparelho e a tampa das baterias quando fechá-la.

Para instalar a bateria, primeiro solte a trava da tampa e abra a tampa das baterias.



► 1. Trava da tampa 2. Tampa das baterias

Para instalar a bateria, alinhe a lingueta desta à ranhura no compartimento e encaixe-a em posição. Coloque-a até o fim, até ela travar em posição com um leve clique. Feche a tampa das baterias.



► 1. Botão 2. Bateria

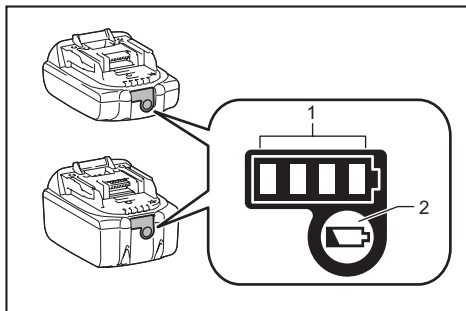
Para retirar a bateria, deslize-a para fora do aparelho, ao mesmo tempo em que desliza o botão na frente da bateria.

⚠️PRECAUÇÃO: Coloque sempre a bateria até o fim. Caso contrário, ela poderá acidentalmente se soltar do aparelho e provocar ferimentos em você ou em pessoas próximas.

⚠️PRECAUÇÃO: Não force a colocação da bateria. Se ela não deslizar com facilidade é porque não está sendo colocada corretamente.

Indicação da capacidade restante das baterias

Somente para baterias com o indicador



► 1. Lâmpadas indicadoras 2. Botão de checagem

Pressione o botão de checagem na bateria para ver a capacidade restante das baterias. As lâmpadas indicadoras acendem por alguns segundos.

| Lâmpadas indicadoras | | | Capacidade restante |
|----------------------|--------|------------|-----------------------------|
| ■ Acesa | □ Desl | ▧ Piscando | |
| ■ ■ ■ | ■ ■ ■ | ■ ■ ■ | 75% a 100% |
| ■ ■ ■ | ■ ■ ■ | □ | 50% a 75% |
| ■ ■ ■ | □ | □ | 25% a 50% |
| ■ ■ ■ | □ | □ | 0% a 25% |
| ▧ | □ | □ | Carregue a bateria. |
| ■ ■ ■ | □ | □ | A bateria pode ter falhado. |
| □ | □ | ■ ■ ■ | |

NOTA: Dependendo das condições de uso e da temperatura ambiente, a indicação pode ser um pouco diferente da capacidade real.

NOTA: A primeira lâmpada indicadora (extrema esquerda) pisca quando o sistema de proteção da bateria funciona.

Sistema de proteção do aparelho / bateria

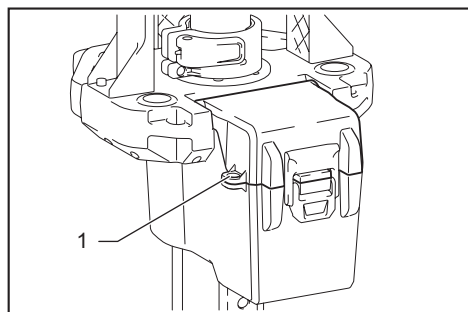
O aparelho é equipado com um sistema de proteção. Esse sistema corta automaticamente a alimentação de energia para prolongar a vida útil do aparelho e da bateria. O aparelho interrompe automaticamente a operação se uma das condições a seguir ocorrer com ele ou com a bateria.

Proteção contra descarga excessiva

Quando a capacidade da bateria fica baixa, os LEDs apagam, exceto parte deles. Algum tempo depois, o sistema corta automaticamente a alimentação. Nesse caso, retire a bateria do aparelho e recarregue-a.

Furo para cadeado

Para proteção das baterias contra roubo, existe um furo para cadeado.



► 1. Furo para cadeado

MONTAGEM

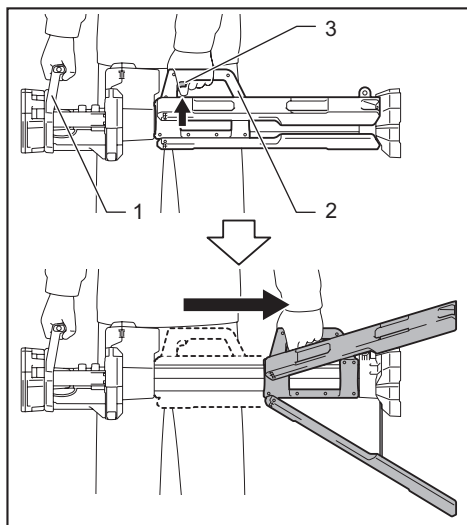
⚠PRECAUÇÃO: Antes de executar qualquer trabalho com o aparelho, certifique-se de que ele está desligado e que a bateria foi retirada.

Como abrir e fechar as pernas do tripé

⚠PRECAUÇÃO: Mantenha as mãos afastadas das pernas do tripé ao abri-las ou fechá-las, tomando cuidado para não prender os dedos.

1. Segure a alça horizontal e a alça de transporte com firmeza usando ambas as mãos.
2. Deslize a alça de transporte na direção ilustrada pela seta enquanto pressiona o botão de destravamento do tripé.

3. Solte o botão de destravamento do tripé e certifique-se de que a alça de transporte está fixada na posição inferior.



- 1. Botão liga/desliga 2. Alça de transporte 3. Botão de destravamento do tripé
4. Para fechar o tripé, deslize a alça de transporte na direção oposta enquanto aperta o botão de destravamento do tripé.

Posicionamento do refletor

⚠PRECAUÇÃO: Antes de posicionar o refletor, certifique-se de que as pernas do tripé estão completamente abertas e travadas com firmeza na posição travada. Caso contrário, o aparelho poderá tombar e um acidente com queda de objeto poderá acontecer.

Como ajustar a altura do refletor

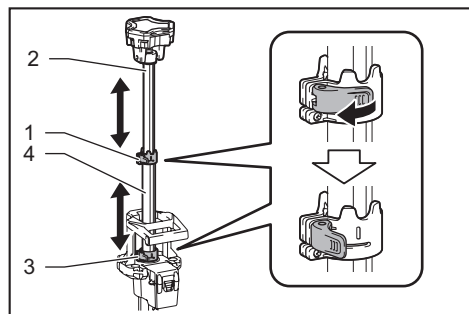
⚠PRECAUÇÃO: Quando estiver ajustando o comprimento da coluna de extensão, certifique-se de que esta está fixada com firmeza pela trava da extensão. Caso contrário, a retração inesperada poderá ocorrer e causar ferimentos.

⚠PRECAUÇÃO: Tome cuidado para não prender os dedos ao ajustar a altura do refletor.

⚠PRECAUÇÃO: Segure a coluna de extensão o tempo todo enquanto estiver ajustando a altura. Caso contrário, o refletor poderá cair rapidamente e prender suas mãos e dedos.

1. Abra a trava da extensão superior.
2. Ajuste o comprimento da coluna de extensão superior puxando-a ou retraindo-a.
3. Feche a trava da extensão superior e certifique-se de que ela está fixada com firmeza.

4. Caso necessite de mais altura, ajuste o comprimento da coluna de extensão inferior da mesma maneira como descrito acima.



- 1. Trava da extensão superior 2. Coluna de extensão superior 3. Trava da extensão inferior 4. Coluna de extensão inferior

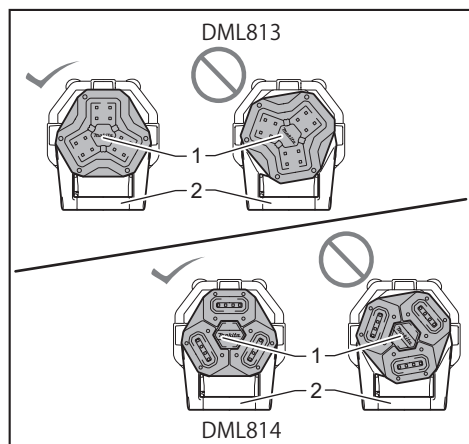
NOTA: Se houver perda de força de fixação da trava de extensão, aperte os parafusos desta. (Consulte a seção de aperto dos parafusos.)

Retração da coluna de extensão

⚠PRECAUÇÃO: Tome cuidado para não prender o dedo ao retrair a coluna de extensão.

OBSERVAÇÃO: Se a coluna de extensão não puder ser retraída com facilidade, não a force para retrair. Nesse caso, expanda a coluna de extensão novamente e retraia a coluna de extensão inferior primeiro.

Quando for retrair a coluna de extensão, alinhe o refletor conforme mostrado na ilustração e então a retraia.

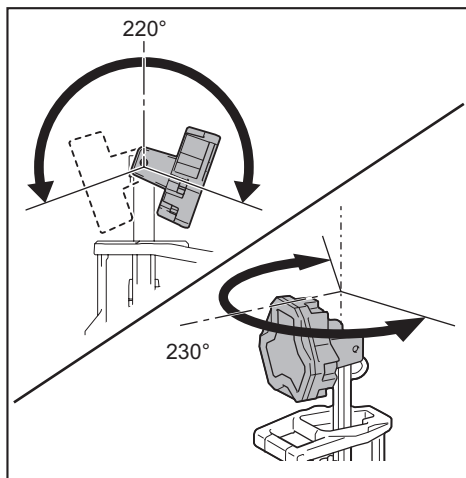


- 1. Refletor 2. Botão liga/desliga

Como ajustar o ângulo do refletor

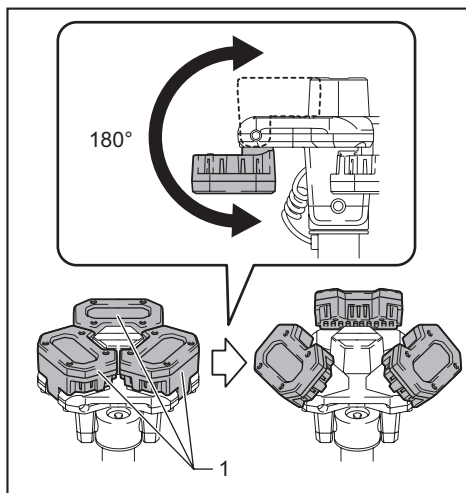
⚠PRECAUÇÃO: Tome cuidado para não prender os dedos ao ajustar o ângulo do refletor.

Gire o refletor conforme ilustrado para colocá-lo no ângulo desejado.



Somente para os modelos DML814

A área de iluminação pode ser ajustada girando-se as lâmpadas individualmente.



- 1. Lâmpada

NOTA: Se houver perda de força de fixação do refletor ou da lâmpada, aperte os parafusos. (Consulte a seção de aperto dos parafusos.)

Aperto dos parafusos

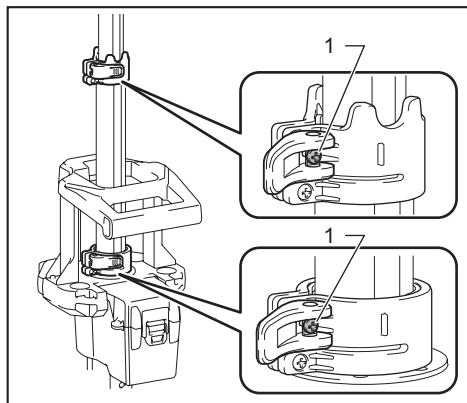
⚠️ PRECAUÇÃO: Antes de apertar os parafusos, retraia as colunas até o fim ou posicione o aparelho deitado de lado. Caso contrário, o refletor poderá se mover acidentalmente e causar ferimentos.

OBSERVAÇÃO: Não aperte demais o parafuso. Se isso for feito, as junções poderão quebrar.

OBSERVAÇÃO: Não use ferramentas elétricas para apertar o parafuso. Se isso for feito, o parafuso poderá ficar apertado demais.

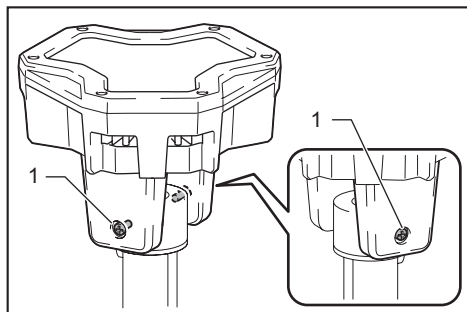
Se houver perda de força de fixação de algumas juntas, aperte o parafuso conforme mostrado na figura.

Para as travas da extensão



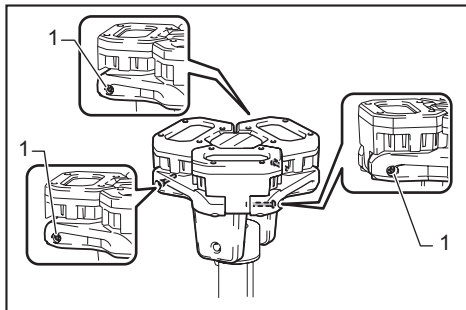
► 1. Parafuso

Para o refletor



► 1. Parafuso

Para as lâmpadas individuais (somente para o modelo DML814)



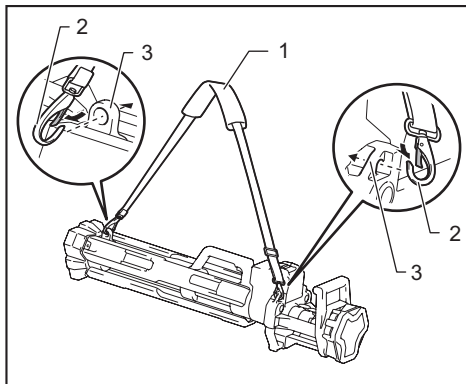
► 1. Parafuso

Alça de ombro

Acessório opcional

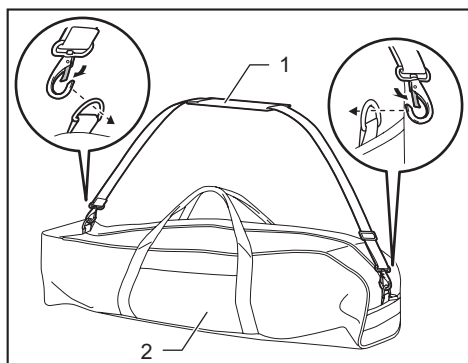
⚠️ PRECAUÇÃO: Ao transportar o aparelho, segure pela alça de transporte, mesmo se estiver usando a alça de ombro. Transportar o aparelho usando somente a alça de ombro deixa-o instável. A alça de ombro pode se soltar ou o aparelho pode se chocar contra outros objetos e provocar ferimentos.

Prenda os ganchos da alça de ombro nos suportes, conforme mostrado na figura.



► 1. Alça de ombro 2. Gancho 3. Suporte

NOTA: Você também pode prender a alça de ombro na sacola macia (acessório opcional), conforme ilustrado.



► 1. Alça de ombro 2. Bolsa da ferramenta

OPERAÇÃO

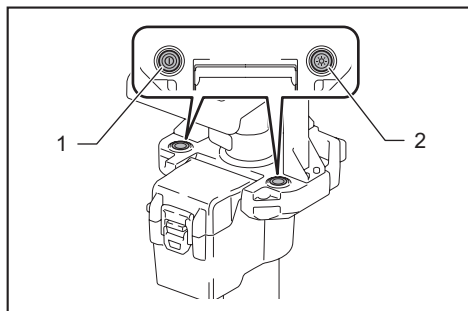
⚠️ AVISO: Para reduzir o risco de lesões, não olhe diretamente para a lâmpada acesa, nem exponha os olhos à luz. Lesões oculares sérias podem ocorrer.

⚠️ AVISO: Para reduzir o risco de queimaduras e incêndios, não toque no refletor e mantenha-o afastado de materiais combustíveis durante a operação.

⚠️ PRECAUÇÃO: Quando usar o aparelho, certifique-se sempre de que as pernas do tripé estão na posição totalmente aberta. Caso contrário, um acidente com queda de objeto poderá acontecer.

⚠️ OBSERVAÇÃO: Não aperte os botões forçadamente. Se isso acontecer, defeitos poderão ocorrer.

Ação do interruptor



► 1. Botão liga/desliga 2. Botão de mudança de intensidade luminosa

Como ligar / desligar o aparelho

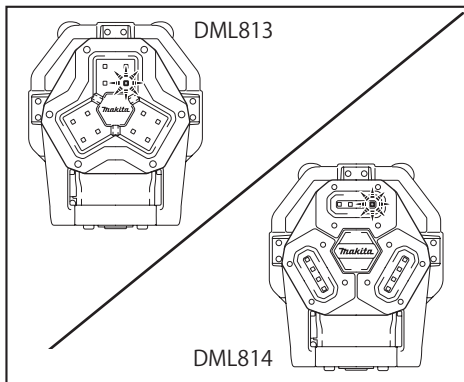
Pressione o botão liga/desliga para ligar o aparelho. Pressione o botão liga/desliga mais uma vez para desligar o aparelho.

NOTA: Quando ligado, o aparelho mantém o mesmo ajuste de intensidade luminosa utilizado por último.

Como alterar a intensidade luminosa

Pressione o botão de mudança de intensidade luminosa com o aparelho em operação. A intensidade luminosa diminui sempre que o botão de mudança de intensidade luminosa é pressionado. A intensidade luminosa retorna ao ajuste mais alto se estiver operando com a menor intensidade luminosa.

Quando a capacidade da bateria fica baixa, os LEDs se apagam, exceto parte deles, conforme ilustrado. (Alguns minutos depois, o sistema corta automaticamente a alimentação.) Nesse caso, retire a bateria do aparelho e recarregue-a.



MANUTENÇÃO

⚠️ PRECAUÇÃO: Antes de realizar qualquer inspeção ou manutenção, verifique sempre se o aparelho está desligado, desconectado da tomada e se a bateria foi removida.

⚠️ OBSERVAÇÃO: Nunca use gasolina, benzina, diluente, álcool ou produtos semelhantes. Pode ocorrer descoloração, deformação ou rachaduras.

Para manter a SEGURANÇA e a CONFIABILIDADE do produto, os reparos e qualquer outra manutenção ou ajustes devem ser feitos pelos centros autorizados de assistência técnica da Makita ou na própria fábrica da Makita, utilizando sempre peças originais Makita.

Limpeza

⚠️ PRECAUÇÃO: Não lave o aparelho com água.

Limpe periodicamente o exterior (corpo) do aparelho com um pano umedecido em água e sabão.

ACESSÓRIOS OPCIONAIS

⚠️ PRECAUÇÃO: Os acessórios ou extensões especificados neste manual são recomendados para utilização com a sua ferramenta Makita. A utilização de quaisquer outros acessórios ou extensões pode causar risco de ferimentos. Utilize o acessório ou extensão apenas para o fim a que se destina.

Se necessitar de informações adicionais relativas a estes acessórios, solicite-as ao centro de assistência técnica Makita em sua região.

- Alça de ombro
- Bolsa da ferramenta
- Baterias e carregadores originais Makita

NOTA: Alguns itens da lista podem estar incluídos na embalagem da ferramenta como acessórios padrão. Eles podem variar de país para país.

GARANTIA LIMITADA DA MAKITA

Consulte a folha de garantia anexa para verificar os termos de garantia mais atuais aplicáveis a este produto. Se a folha de garantia anexa não estiver disponível, consulte os detalhes de garantia definidos no website abaixo para o seu país.

Estados Unidos: www.makitatools.com

Canadá: www.makita.ca

Outros países: www.makita.com

Makita Corporation
3-11-8, Sumiyoshi-cho,
Anjo, Aichi 446-8502 Japan
www.makita.com

DML813-
NA3-BZ-2006
EN, FRCA, ESMX,
PTBR
20200610