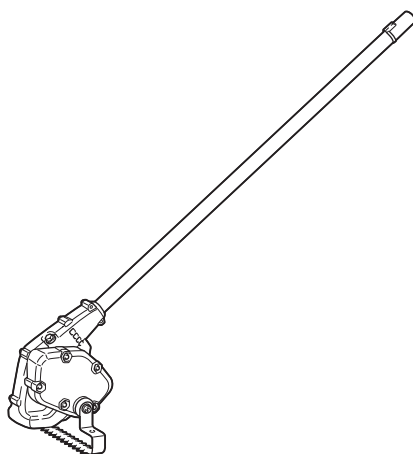


INSTRUCTION MANUAL
MANUEL D'INSTRUCTION
MANUAL DE INSTRUCCIONES



Weeding Attachment Outil de désherbage Accesorio para Deshierbar

WA400MP



IMPORTANT: Read Before Using.

IMPORTANT : Lire avant usage.

IMPORTANTE: Lea antes de usar.

SPECIFICATIONS

Model:	WA400MP
Cutting width	220 mm (8-5/8")
Dimensions (L x W x H)	980 mm x 226 mm x 196 mm (38-1/2" x 8-7/8" x 7-3/4")
Net weight	2.8 kg (6.2 lbs)

- Due to our continuing program of research and development, the specifications herein are subject to change without notice.
- Specifications may differ from country to country.

Approved power unit

This attachment is approved to use only with the following power unit(s):

- DUX60 Cordless multi function power head
- XUX01 Cordless multi function power head
- DUX18 Cordless multi function power head
- XUX02 Cordless multi function power head
- UX01G Cordless multi function power head
- GUX01 Cordless multi function power head

⚠ WARNING: Never use the attachment with non-approved power unit. Non-approved combination may cause serious injury.

Intended use

This attachment is designed for only the purpose of weeding grass on the ground in conjunction with an approved power unit. Never use the attachment for the other purpose. Abusing the attachment may cause serious injury.

SAFETY WARNINGS

Weeding Attachment safety warnings

1. **Do not use the machine in bad weather conditions, especially when there is a risk of lightning.** This decreases the risk of being struck by lightning.
2. **Thoroughly inspect the area for wildlife where the machine is to be used.** Wildlife may be injured by the machine during operation.
3. **Thoroughly inspect the area where the machine is to be used and remove all stones, sticks, wires, bones, and other foreign objects.** Thrown objects can cause personal injury.
4. **Before using the machine, always visually inspect to see that the weeding blade is not damaged.** Damaged part increases the risk of injury.
5. **Follow instructions for changing accessories.** Improperly tightened blade securing nuts or bolts may either damage the blade or result in it becoming detached.
6. **Wear eye, ear, head and hand protection.** Adequate protective equipment will reduce personal injury by flying debris or accidental contact with the cutting line or blade.
7. **While operating the machine, always wear non-slip and protective footwear. Do not operate the machine when barefoot or wearing open sandals.** This reduces the chance of injury to the feet from contact with the moving cutters or lines.
8. **While operating the machine, always wear long trousers.** Exposed skin increases the likelihood of injury from thrown objects.
9. **Keep bystanders away while operating the machine.** Thrown debris can result in serious personal injury.
10. **Always use two hands when operating the machine.** Holding the machine with both hands will avoid loss of control.
11. **Hold the machine by the insulated gripping surfaces only, because the cutting line or blade may contact hidden wiring.** Cutting line or blades contacting a "live" wire may make exposed metal parts of the machine "live" and could give the operator an electric shock.
12. **Always keep proper footing and operate the machine only when standing on the ground.** Slippery or unstable surfaces may cause a loss of balance or control of the machine.
13. **Do not operate the machine on excessively steep slopes.** This reduces the risk of loss of control, slipping and falling which may result in personal injury.
14. **When working on slopes, always be sure of your footing, always work across the face of slopes, never up or down and exercise extreme caution when changing direction.** This reduces the risk of loss of control, slipping and falling which may result in personal injury.
15. **Keep all parts of the body away from the weeding blade when the machine is operating. Before you start the machine, make sure the weeding blade is not contacting anything.** A moment of inattention while operating the machine may result in injury to yourself or others.

16. **Do not operate the machine above waist height.** This helps prevent unintended weeding blade contact and enables better control of the machine in unexpected situations.
 17. **When cutting brush or saplings that are under tension, be alert for spring back.** When the tension in the wood fibres is released, the brush or sapling may strike the operator and/or throw the machine out of control.
 18. **Use extreme caution when cutting brush and saplings.** The slender material may catch the blade and be whipped toward you or pull you off balance.
 19. **Maintain control of the machine and do not touch weeding blade and other hazardous moving parts while they are still in motion.** This reduces the risk of injury from moving parts.
 20. **Carry the machine with the machine switched off and away from your body.** Proper handling of the machine will reduce the likelihood of accidental contact with a moving cutter, line or blade.
 21. **When transporting or storing the machine, always fit the cover on the weeding blade.** Proper handling of the machine will reduce the likelihood of accidental contact with the blade.
 22. **Only use replacement weeding blades specified by the manufacturer.** Incorrect replacement parts may increase the risk of breakage and injury.
 23. **When clearing jammed material or servicing the machine, make sure the switch is off and the battery pack is removed.** Unexpected starting of the machine while clearing jammed material or servicing may result in serious personal injury.
8. **Avoid using the machine in bad weather conditions especially when there is a risk of lightning.**

Personal protective equipment

1. **Wear eye protection and stout shoes at all times while operating the machine.**
2. **Always wear substantial footwear and long trousers while operating the machine.**

Starting up the equipment

1. **Make sure that there are no children or other people nearby, also pay attention to any animals in the working vicinity.** Otherwise stop using the equipment.
2. **During operation, keep bystanders or animals at least 5 m away from the tool. Stop the tool as soon as someone approaches.**
3. **Before use always check that the equipment is safe for operation. Check the security of the cutting tool and the switch trigger for easy and proper action. Check for clean and dry handles and test the function of the start/stop.**
4. **Check damaged parts before further use of the equipment. A part that is damaged should be carefully checked to determine that it will operate properly and perform its intended function. Check for alignment of moving parts, binding of moving parts, breakage of parts, mounting, and any other condition that may affect its operation. A part that is damaged should be properly repaired or replaced by our authorized service center unless indicated elsewhere in this manual.**
5. **Switch on the motor only when the hands and feet are away from the cutting tool.**
6. **Before starting make sure that the cutting tool has no contact with any objects.**
7. **Hold the tool firmly when using the tool.**
8. **Avoid unintentional starting. Do not carry the tool when the battery cartridge is installed and with finger on the switch. Make sure that the switch is off when installing the battery cartridge.**
9. **Before operation, examine the work area for wire fences, stones, or other solid objects. They can damage the weeding blade.**
10. **Check the hedges and bushes for foreign objects, such as wire fences or hidden wiring before operating the tool.**

Method of operation

1. **Only use the equipment in good light and visibility. During the winter season beware of slippery or wet areas, ice and snow (risk of slipping). Always ensure a safe footing on slopes and be sure to walk and never run.**
2. **Take care against injury to feet and hands from the cutting tool.**
3. **Never stand on a ladder and run the equipment.**
4. **Never climb up into trees to perform cutting operation with the equipment.**
5. **Never work on unstable surfaces.**

Additional safety warnings

General instructions

1. **To ensure correct operation, user has to read this instruction manual to make himself familiar with the handling of the equipment.** Users insufficiently informed will risk danger to themselves as well as others due to improper handling.
2. **Never allow children, persons with reduced physical, sensory or mental capabilities or lack of experience and knowledge or people unfamiliar with these instructions to use the machine, local regulations may restrict the age of the operator.**
3. **Use the equipment with the utmost care and attention.**
4. **Operate the equipment only if you are in good physical condition. Perform all work calmly and carefully. Use common sense and keep in mind that the operator or user is responsible for accidents or hazards occurring to other people or their property.**
5. **Never operate the machine while people, especially children, or pets are nearby.**
6. **The motor is to be switched off immediately in case that the equipment shows any problem or abnormal sign.**
7. **Switch off and remove the battery cartridge when resting and when leaving the equipment unattended, and place it in a safe location to prevent danger to others or damage to the equipment.**

6. **Remove sand, stones, nails etc. found within the working range.** Foreign particles may damage the cutting tool and can cause dangerous kick-backs.
7. **Should the cutting tool hit stones or other hard objects, immediately switch off the motor and inspect the cutting tool.**
8. **Inspect the cutting tool at short regular intervals for damage (detection of hairline cracks by means of tapping-noise test).**
9. **Always remove the battery cartridge from the equipment:**
 - whenever leaving the equipment unattended;
 - before clearing a blockage;
 - before checking, cleaning or working on the equipment;
 - after striking a foreign object;
 - whenever the equipment starts vibrating abnormally.
10. **Cutting means continues to run after the motor is switched off.**
11. **When attaching or removing the blade cover, be careful not to injure your hands.**

Maintenance instructions

1. The condition of the equipment, in particular of the cutting tool or the protective devices must be checked before commencing work.
2. Turn off the motor and remove the battery cartridge before carrying out maintenance, replacing cutting tools or cleaning the equipment or cutting tool.
3. When not in use, attach the blade cover to the tool and store the tool indoors in dry, and high locked-up place, out of reach of children.

SAVE THESE INSTRUCTIONS.

⚠WARNING: DO NOT let comfort or familiarity with product (gained from repeated use) replace strict adherence to safety rules for the subject product. MISUSE or failure to follow the safety rules stated in this instruction manual may cause serious personal injury.

⚠WARNING: Use of this product can create dust containing chemicals which may cause respiratory or other illnesses. Some examples of these chemicals are compounds found in pesticides, insecticides, fertilizers and herbicides.

Your risk from these exposures varies, depending on how often you do this type of work. To reduce your exposure to these chemicals: work in a well ventilated area, and work with approved safety equipment, such as those dust masks that are specially designed to filter out microscopic particles.

Symbols

The followings show the symbols which may be used for the equipment. Be sure that you understand their meaning before use.



Warning: Disconnect battery before maintenance.



Keep your feet away from the weeding blade.



Keep bystanders and animals at least 5 m (17 FT) away from the power tool.



Hot surfaces - Burns to fingers or hands.

PARTS DESCRIPTION

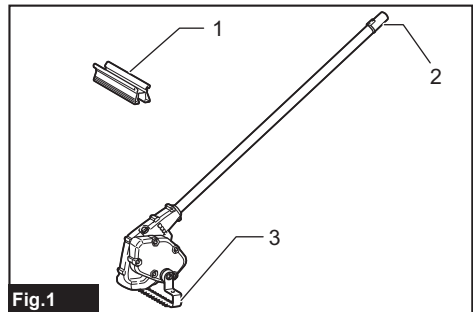


Fig.1

► 1. Blade cover 2. Cap 3. Weeding blade

ASSEMBLY

⚠WARNING: Before assembling or adjusting the equipment, switch off the motor and remove the battery cartridge. Otherwise, the machine may start unintentionally and result in an injury.

⚠WARNING: When assembling or adjusting the equipment, always put it down. Assembling or adjusting the equipment in an upright position may result in serious injury.

⚠WARNING: Follow the warnings and precautions in the chapter "SAFETY WARNINGS" and the instruction manual of the power unit.

Assembling the attachment

1. Attach the 2 adjusting plates to the attachment so that the grooves of the plates face outward.

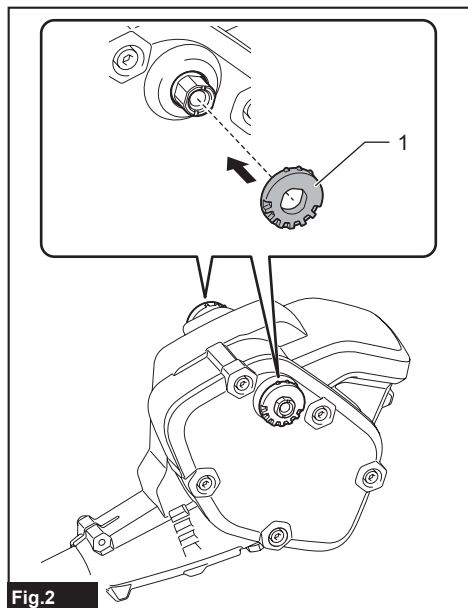


Fig.2

- 1. Adjusting plate

2. Attach the weeding blade to the adjusting plates while opening the blade outward slightly.

When attaching the weeding blade, make sure the arrow points toward the pipe.

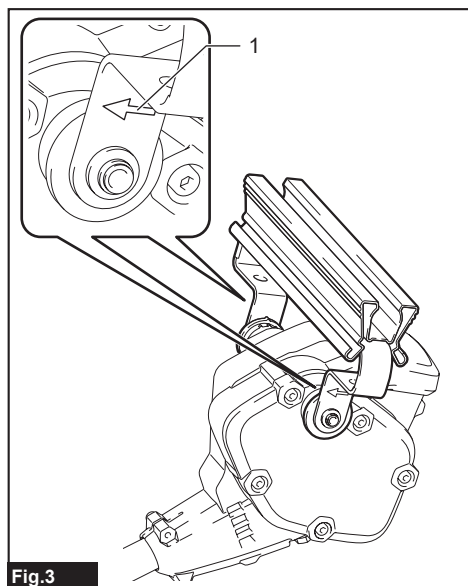


Fig.3

- 1. Arrow

The angle of the weeding blade can be changed by aligning the protrusion on the weeding blade with the one of the protrusions on the adjusting plates.

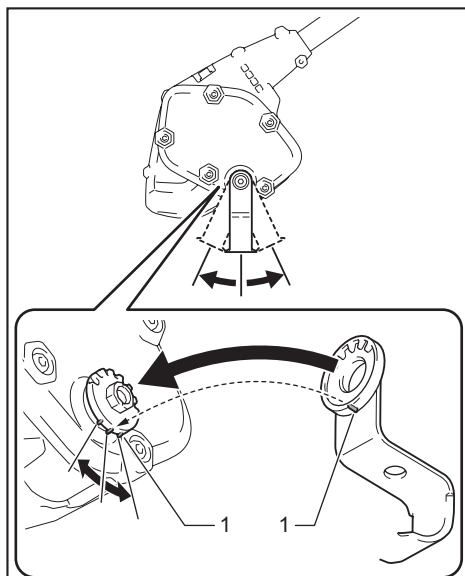


Fig.4

- 1. Protrusion

NOTICE: Make sure that the arrows on the weeding blade face in the direction shown in the figure.

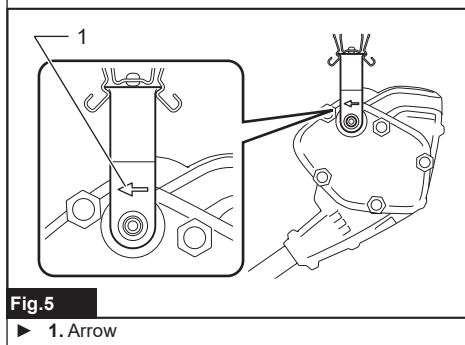


Fig.5

- 1. Arrow

3. Make sure that the weeding blade is engaged with the adjusting plates.

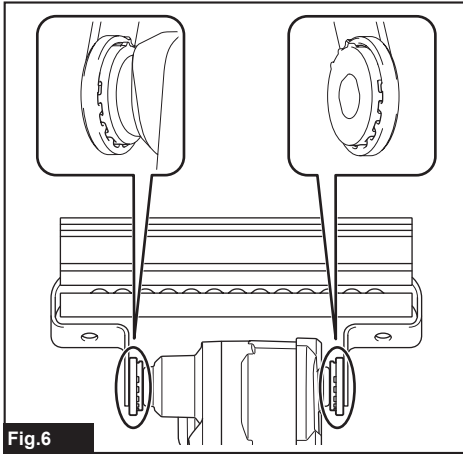


Fig.6

4. Insert the bolt from the side without the nut and tighten the bolt with the wrench.

Make sure that the bolt is securely tightened.

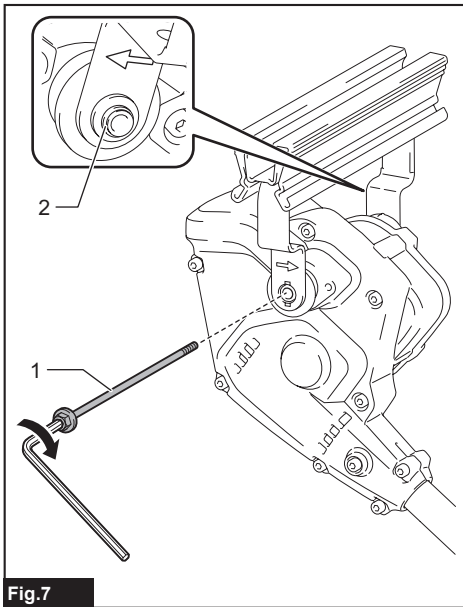


Fig.7

- 1. Bolt 2. Nut

NOTE: Tightening torque : 5 - 10 N•m

Mounting the attachment pipe

CAUTION: Always check that the attachment pipe is secured after installation. Improper installation may cause the attachment falling off from the power unit and cause personal injury.

Mount the attachment pipe to the power unit.

1. Remove the cap from the end of the pipe.

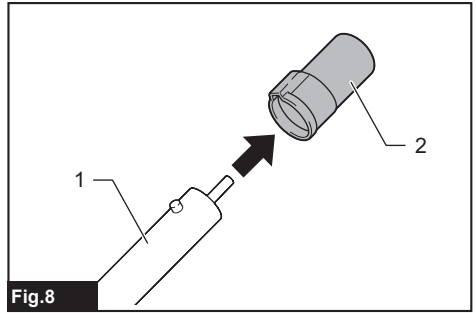


Fig.8

- 1. Pipe 2. Cap

NOTICE: Do not dispose of the cap since the cap is necessary for storing the attachment.

2. Turn the lever toward the attachment.

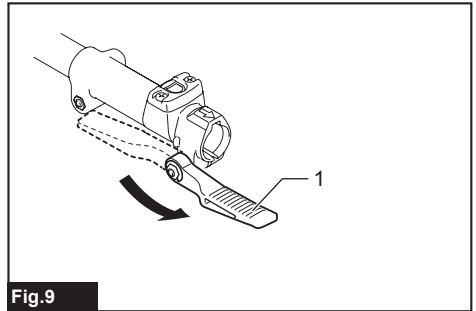


Fig.9

- 1. Lever

3. Align the pin with the arrow mark on the power unit. Insert the pipe until the release button pops up.

Make sure that the position line is on the tip of the arrow mark on the power unit, and the arrow mark on the power unit and the arrow mark on the pipe are facing each other.

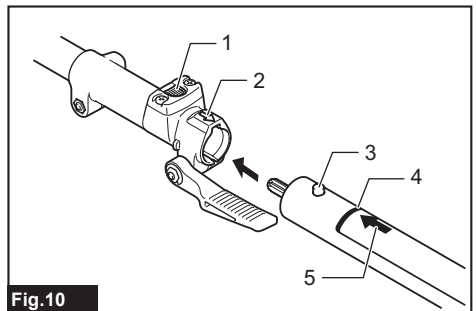


Fig.10

- 1. Release button 2. Arrow mark on the power unit
3. Pin 4. Position line 5. Arrow mark on the pipe

- Turn the lever toward the power unit.

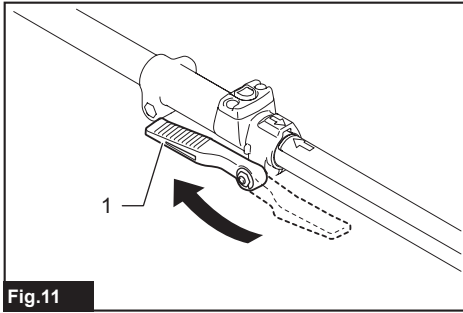


Fig.11

- Lever

Make sure that the surface of the lever is parallel to the pipe.

NOTICE: Do not tighten the lever without the attachment pipe inserted. Otherwise the lever may tighten the entrance of the drive shaft too much and damage it.

To remove the pipe, turn the lever toward the attachment and pull the pipe out while pressing down the release button.

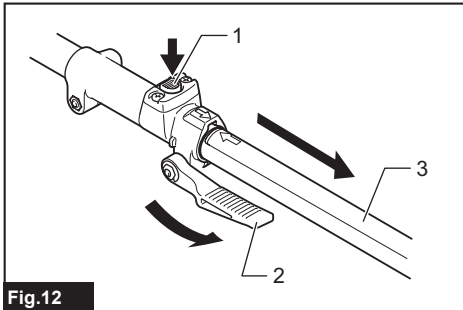


Fig.12

- Release button
- Lever
- Pipe

Removing or attaching the blade cover

To remove the blade cover, push the blade cover toward the inside and turn it.

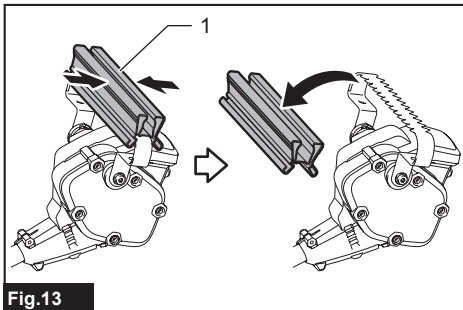


Fig.13

- Blade cover

To attach the blade cover, hook the blade cover to one side of the weeding blade, and then turn it.

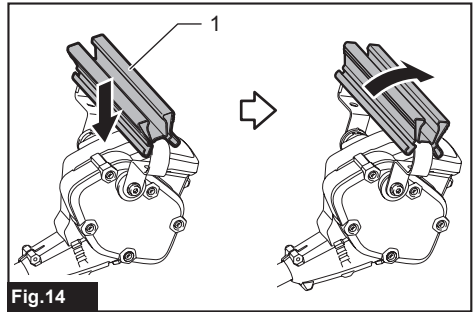


Fig.14

- Blade cover

NOTE: You can attach the blade cover to the pipe as shown in the figure.

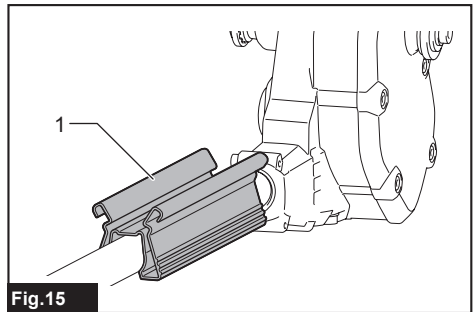


Fig.15

- Blade cover

Installing or removing the weeding blade

CAUTION: When replacing the weeding blade, always wear gloves so that your hands do not directly contact the weeding blade.

CAUTION: Attach the blade cover before removing or installing the weeding blade.

- Attach the blade cover to the weeding blade.

- Remove the bolt by loosening the bolt with the wrench.

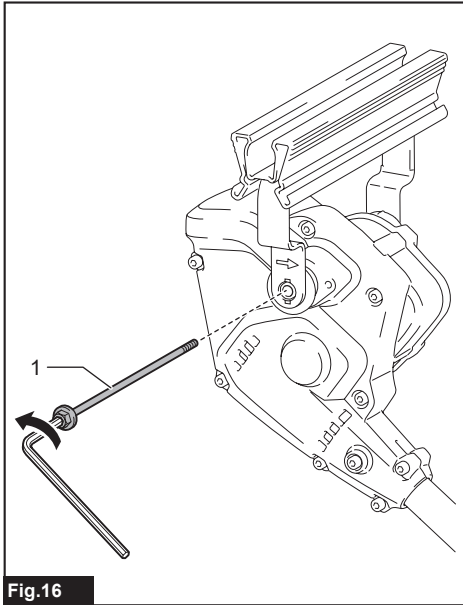


Fig.16

► 1. Bolt

- Remove the weeding blade while opening the weeding blade outward slightly.

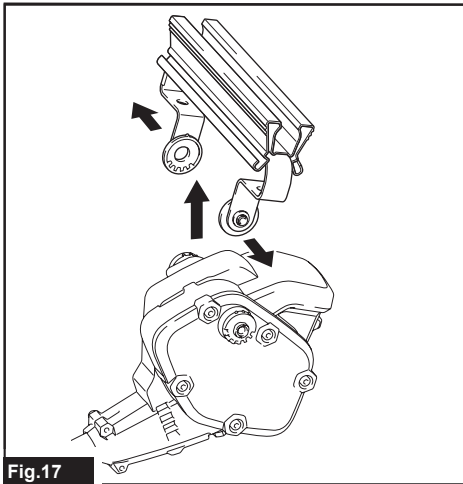


Fig.17

Install the weeding blade referring to the instructions for assembling the attachment.

FUNCTIONAL DESCRIPTION

CAUTION: Always be sure that the tool is switched off and the battery cartridge is removed before adjusting or checking function on the tool.

Adjusting the cutting angle

CAUTION: Always be sure that the tool is switched off before adjusting the cutting angle.

The angle of the weeding blade can be changed in three levels. To change the angle, align the protrusion on the weeding blade with the one of the protrusions on the adjusting plates, and then install the weeding blade.

- Loosen the bolt that fix the cutting blade with the wrench.
- Align the protrusion on the weeding blade with the one of the protrusions on the adjusting plates.
- Retighten the bolt to fix the cutting blade.

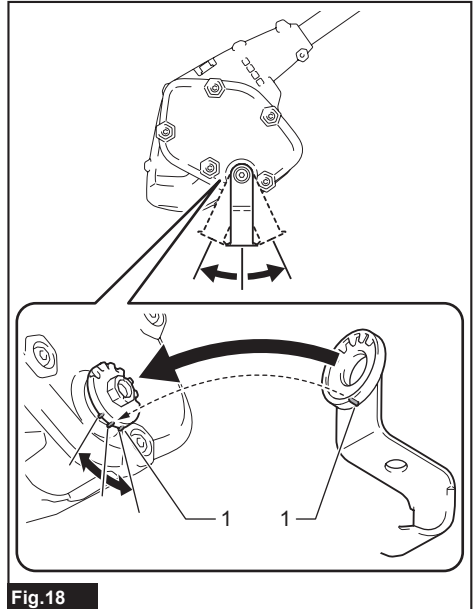


Fig.18

► 1. Protrusion

OPERATION

⚠ WARNING: Follow the warnings and precautions in the chapter “SAFETY WARNINGS” and the instruction manual of the power unit.

Operating the tool

⚠ WARNING: Keep hands away from weeding blade.

⚠ WARNING: Be extremely careful to maintain control of the tool at all times. Do not allow the tool to be deflected toward you or anyone in the work vicinity. Failure to keep control of the tool could result in serious injury to the bystander and the operator.

⚠ WARNING: Before weeding, clear away sticks and stones from the weeding area.

NOTE: This tool is intended for removing weeds less than 15 cm (5-7/8”).



Fig.19

⚠ CAUTION: Avoid operating the tool in very hot weather as much as practicable. When operating the tool, be careful of your physical condition.

⚠ CAUTION: Be careful not to accidentally contact a metal fence or other hard objects while weeding. The weeding blade may break and cause an injury.

⚠ CAUTION: Overreaching with the tool, particularly from a ladder, is extremely dangerous. Do not work while standing on anything wobbly or infirm.

NOTICE: Do not use the tool in a way that causes the motor to stop or to rotate extremely slowly.

Hold the tool with both hands by holding the front handle and the rear grip of the power unit.

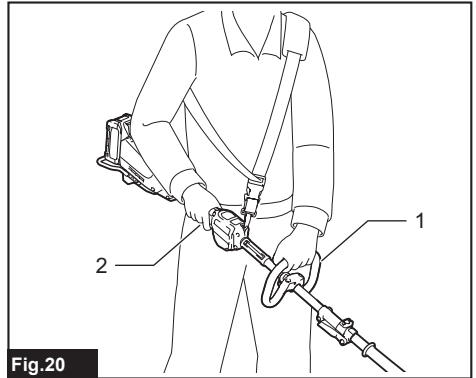


Fig.20

► 1. Front handle 2. Rear grip

Turn the tool on with the weeding blade off the ground. Place the weeding blade on the ground, and pull the tool toward you slowly to weed. It is easier to work when the weeding blade is at an angle nearly perpendicular to the ground.

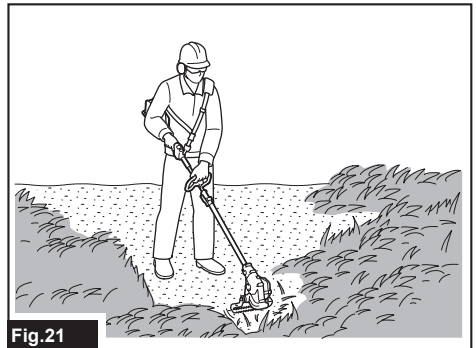


Fig.21

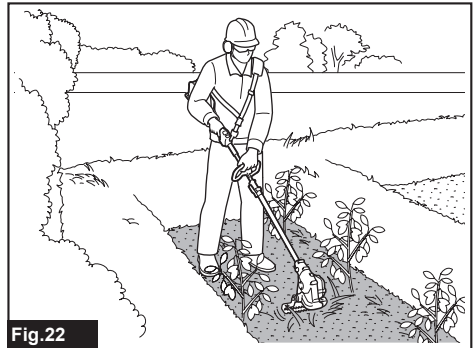


Fig.22

MAINTENANCE

⚠ WARNING: Before inspecting or maintaining the equipment, switch off the motor and remove the battery cartridge. Otherwise, the machine may start unintentionally and result in serious injury.

⚠ WARNING: When inspecting or maintaining the equipment, always put it down. Assembling or adjusting the equipment in an upright position may result in serious injury.

⚠ WARNING: Follow the warnings and precautions in the chapter “SAFETY WARNINGS” and the instruction manual of the power unit.

⚠ CAUTION: Wear gloves when performing the inspection or maintenance.

NOTICE: Never use gasoline, benzine, thinner, alcohol or the like. Discoloration, deformation or cracks may result.

To maintain product SAFETY and RELIABILITY, repairs, any other maintenance or adjustment should be performed by Makita Authorized or Factory Service Centers, always using Makita replacement parts.

Cleaning the tool

Clean the tool by wiping off dust with a dry cloth or one dipped in soapy water and wrung out.

Blade maintenance

After operation, remove the entangled grass or roots from the blade.

NOTICE: Do not wash the blade in water. Doing so may cause rust or damage to the blade or attachment.

Storage

Attach the blade cover to the weeding blade. Store the tool out of the reach of children. Store the tool in a place not exposed to moisture or rain.

When storing the attachment separated from the power unit, put the cap onto the end of the pipe.

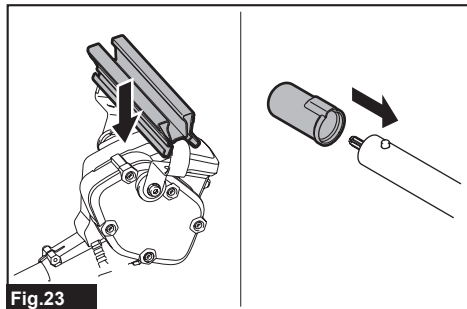


Fig.23

Lubricating moving parts

NOTICE: Follow the instruction of the frequency and amount of grease supplied. Otherwise insufficient lubrication may damage moving parts.

Drive axle:

Apply grease (Makita grease N No.2 or equivalent) every 25 hours of operation.

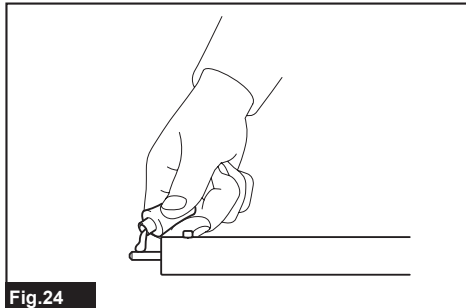


Fig.24

NOTE: Genuine Makita grease may be purchased from your local Makita dealer.

Grease lubrication

Interval of lubrication: Every 25 operating hours

1. Remove the bolt from the hole for lubrication.

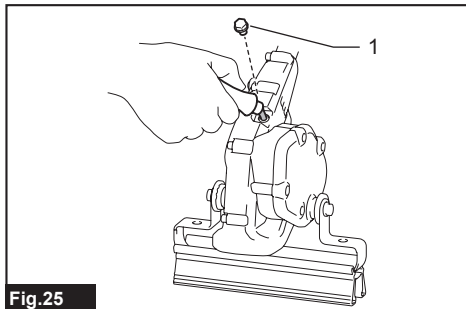


Fig.25

- ▶ 1. Bolt
2. Apply the grease (Makita grease SG No.0 or equivalent) to the tool (approximately 3.0 g (0.1 oz) as a guide).
3. Tighten the bolt.

TROUBLESHOOTING

Before asking for repairs, conduct your own inspection first. If you find a problem that is not explained in the manual, do not attempt to dismantle the tool. Instead, ask Makita Authorized Service Centers, always using Makita replacement parts for repairs.

State of abnormality	Probable cause (malfunction)	Remedy
Motor does not start.	-	Refer to the instruction manual of the power unit.
Motor stops soon.	-	Refer to the instruction manual of the power unit.
Motor speed does not increase.	-	Refer to the instruction manual of the power unit.
Weeding blade do not move: ⇒ stop the machine immediately!	The drive system does not work correctly.	Ask your local authorized service center for repair.
Abnormal vibration: ⇒ stop the machine immediately!	Weeding blade is broken, bent or worn.	Replace the weeding blade.
	The drive system does not work correctly.	Ask your local authorized service center for repair.
Weeding blade and motor cannot stop: ⇒ Remove the battery immediately!	Electric malfunction.	Remove the battery and ask your local authorized service center for repair.

OPTIONAL ACCESSORIES

⚠ CAUTION: These accessories or attachments are recommended for use with your Makita machine specified in this manual. The use of any other accessories or attachments might present a risk of injury to persons. Only use accessory or attachment for its stated purpose.

If you need any assistance for more details regarding these accessories, ask your local Makita Service Center.

- Weeding blade
- Cultivator blade
- Makita genuine battery and charger

NOTE: Some items in the list may be included in the product package as standard accessories. They may differ from country to country.

SPÉCIFICATIONS

Modèle :	WA400MP
Largeur de coupe	220 mm (8-5/8")
Dimensions (L x P x H)	980 mm x 226 mm x 196 mm (38-1/2" x 8-7/8" x 7-3/4")
Poids net	2,8 kg (6,2 lbs)

- Étant donné l'évolution constante de notre programme de recherche et de développement, les spécifications contenues dans ce manuel sont sujettes à modification sans préavis.
- Les spécifications peuvent varier suivant les pays.

Unité d'alimentation approuvée

Cette fixation est approuvée uniquement pour l'utilisation avec les unités d'alimentation suivantes :

- Moteur multi-fonctions sans fil DUX60
- Moteur multi-fonctions sans fil XUX01
- Moteur multi-fonctions sans fil DUX18
- Moteur multi-fonctions sans fil XUX02
- Moteur multi-fonctions sans fil UX01G
- Moteur multi-fonctions sans fil GUX01

⚠ MISE EN GARDE : N'utilisez jamais la fixation avec une unité d'alimentation non approuvée. Une combinaison non approuvée peut entraîner une grave blessure.

Usage prévu

Cet outil est conçu uniquement pour le désherbage du sol, en combinaison avec une unité d'alimentation approuvée. N'utilisez jamais l'outil à d'autres fins. Maltraiter l'outil peut entraîner des blessures graves.

CONSIGNES DE SÉCURITÉ

Mises en garde de sécurité relatives à l'outil de désherbage

1. **N'utilisez pas la machine sous de mauvaises conditions météo, et tout spécialement lorsqu'il y a risque de foudre.** Cela réduit le risque d'être frappé par la foudre.
2. **Inspectez méticuleusement la zone en ce qui concerne la faune à l'endroit où la machine sera utilisée.** La faune pourrait être blessée pendant le fonctionnement de la machine.
3. **Inspectez minutieusement la zone où la machine est utilisée et retirez les pierres, bâtons, fils, os et autres objets étrangers.** Les objets projetés peuvent causer des blessures corporelles.
4. **Avant d'utiliser la machine, procédez toujours à une inspection visuelle pour vous assurer que la lame de désherbage n'est pas endommagée.** Une pièce endommagée augmente le risque de blessures.
5. **Suivez les instructions concernant le remplacement des accessoires.** Des écrous ou boulons de fixation de lame mal serrés peuvent endommager la lame et faire en sorte qu'elle se détache.
6. **Portez une protection pour les yeux, les oreilles, la tête et les mains.** De l'équipement de protection adéquat réduit les risques de blessures provoquées par des débris projetés ou un contact accidentel avec la ligne de coupe ou la lame.
7. **Pendant l'utilisation de la machine, portez toujours des chaussures de protection antidérapantes. Ne faites pas fonctionner la machine si vous êtes pieds nus ou si vous portez des sandales ouvertes.** Ceci réduit la possibilité d'une blessure aux pieds en raison d'un contact avec des couteaux ou des lignes en mouvement.
8. **Lorsque vous utilisez la machine, portez toujours des pantalons longs.** La peau exposée augmente la probabilité d'une blessure causée par des objets projetés.
9. **Ne laissez pas approcher les curieux pendant que vous utilisez la machine.** Les débris projetés peuvent entraîner de graves blessures.
10. **Utilisez toujours la machine à deux mains.** Tenir la machine à deux mains évite une perte de contrôle.
11. **Ne tenez la machine que par ses surfaces de prise isolées, car la ligne de coupe ou la lame peut toucher un câblage dissimulé.** Une ligne de coupe ou des lames entrant en contact avec un fil « sous tension » peuvent rendre des pièces métalliques exposées de la machine « sous tension » et transmettre une décharge à l'opérateur.
12. **Gardez toujours une assise adéquate et faites fonctionner la machine uniquement lorsque vous vous tenez debout sur le sol.** Si vous vous trouvez sur une surface glissante ou instable, vous risquez de perdre l'équilibre ou la maîtrise de la machine.
13. **N'utilisez pas la machine sur les pentes trop abruptes.** Vous réduirez ainsi les risques de perte de maîtrise, de glissement et de chute, qui peuvent entraîner une blessure.
14. **Lorsque vous travaillez sur les pentes, assurez-vous d'avoir une bonne assise, de toujours travailler en travers de la pente et jamais directement vers le haut ou le bas, et soyez extrêmement prudent lorsque vous changez de direction.** Vous réduirez ainsi les risques de perte de maîtrise, de glissement et de chute, qui peuvent entraîner une blessure.

15. **Gardez tous les membres du corps à l'écart de la lame de désherbage lorsque la machine fonctionne. Avant de démarrer la machine, assurez-vous que la lame de désherbage n'entre en contact avec rien d'autre.** Un moment d'inattention pendant l'utilisation de la machine peut entraîner des blessures à vous ou à d'autres personnes.
16. **N'utilisez pas la machine au-dessus de la hauteur de la taille.** Ceci permet d'éviter un contact accidentel avec la lame de désherbage et assure une meilleure maîtrise de la machine en cas de situations inattendues.
17. **Lorsque vous coupez de la broussaille ou de jeunes arbres tendus, attendez-vous à ce qu'ils reviennent comme un ressort.** Quand la tension dans les fibres de bois se relâche, la broussaille et les jeunes arbres peuvent frapper l'utilisateur et/ou lui faire perdre la maîtrise de la machine.
18. **Soyez extrêmement prudent lors de la coupe de broussaille et de jeunes arbres.** Les branches fines peuvent être happées par la lame et vous frapper ou vous faire perdre l'équilibre.
19. **Maintenez le contrôle de la machine et ne touchez pas à la lame de désherbage et à d'autres pièces mobiles dangereuses alors qu'elles sont encore en mouvement.** Ceci réduit le risque de blessures en raison de pièces mobiles.
20. **Transportez la machine alors qu'elle est à l'arrêt et éloignée de votre corps.** En manipulant la machine adéquatement, vous réduisez les risques de toucher par mégarde le couteau, la ligne ou la lame en mouvement.
21. **Lors du transport ou du rangement de la machine, posez toujours le couvercle sur la lame de désherbage.** En manipulant la machine adéquatement, vous réduirez les risques de toucher par mégarde la lame.
22. **Utilisez toujours les lames de désherbage de rechange indiquées par le fabricant.** Des pièces de rechange incorrectes peuvent augmenter le risque de bris et de blessures.
23. **Lorsque vous retirez une matière coincée ou procédez à un entretien de la machine, assurez-vous que l'interrupteur est en position d'arrêt et que la batterie est retirée.** Le démarrage inopportun de la machine lors du retrait d'une matière coincée ou de l'entretien peut entraîner des blessures corporelles graves.
3. **Utilisez l'équipement avec le plus grand soin et la plus grande prudence.**
4. **Utilisez l'équipement seulement si vous êtes en bon état physique. Effectuez le travail calmement et prudemment. Faites preuve de bon sens et rappelez-vous que l'opérateur ou l'utilisateur est responsable des accidents ou des dangers auxquels il expose les autres personnes ou leurs biens.**
5. **N'utilisez jamais la machine lorsque d'autres personnes - et tout particulièrement des enfants - ou des animaux domestiques se trouvent à proximité.**
6. **Le moteur doit être éteint immédiatement si l'équipement indique tout problème ou signe d'anomalie.**
7. **Désactivez la batterie et retirez-la lorsque vous prenez une pause ou lorsque vous laissez l'équipement sans surveillance, et placez-le à un endroit sûr pour éviter de mettre en danger autrui ou d'endommager l'équipement.**
8. **Évitez d'utiliser la machine sous de mauvaises conditions météo, et tout spécialement lorsqu'il y a un risque de foudre.**

Équipement de protection individuelle

1. **Portez une protection des yeux et des chaussures robustes en tout temps lorsque vous utilisez la machine.**
2. **Portez toujours des chaussures robustes et des pantalons longs lorsque vous utilisez la machine.**

Démarrage de l'équipement

1. **Veillez à éloigner les enfants ou toute autre personne à proximité, et faites également attention aux animaux présents dans cette zone.** Autrement, cessez d'utiliser l'équipement.
2. **Pendant l'exécution du travail, ne laissez pas les curieux ou les animaux approcher à moins de 5 m de l'outil. Arrêtez l'outil dès que quelqu'un approche.**
3. **Avant d'utiliser l'équipement, vérifiez toujours s'il est sécuritaire. Vérifiez si l'outil de coupe est sécuritaire et si la gâchette de l'interrupteur fonctionne librement et adéquatement. Vérifiez si les poignées du guidon sont propres et sèches, et testez le fonctionnement de la mise en marche/à l'arrêt.**
4. **Vérifiez si des pièces sont endommagées avant de continuer à utiliser l'équipement. Si une pièce est endommagée, examinez-la attentivement pour vérifier si elle fonctionnera adéquatement et sera en mesure de remplir la fonction pour laquelle elle a été conçue. Vérifiez que les pièces mobiles sont bien alignées et qu'elles ne sont pas coincées, qu'il n'y a pas de pièces cassées ou mal montées, et toute autre condition pouvant affecter leur fonctionnement. Une pièce endommagée doit être correctement réparée ou remplacée par notre centre de service après-vente agréé, à moins d'indication contraire dans le présent manuel.**
5. **N'allumez le moteur qu'une fois vos mains et vos pieds à l'écart de l'outil de coupe.**

Consignes de sécurité supplémentaires

Consignes générales

1. **Pour assurer le fonctionnement adéquat, l'utilisateur doit lire le manuel d'instruction pour se familiariser avec la manipulation de l'équipement.** Les utilisateurs qui ne sont pas suffisamment informés se mettent en danger eux-mêmes ainsi que les autres en raison du risque de manipulation inadéquate.
2. **Ne laissez jamais les enfants, les personnes aux facultés physiques, sensorielles ou mentales réduites, les personnes dont l'expérience ou les connaissances sont insuffisantes ou les personnes non familiarisées avec les présentes instructions utiliser cette machine; des règlements locaux peuvent restreindre l'âge de l'utilisateur.**

6. Avant le démarrage, assurez-vous que l'outil de coupe n'est en contact avec aucun objet.
7. Tenez l'outil fermement pendant l'utilisation.
8. Évitez le démarrage accidentel. Ne transportez pas l'outil avec la batterie installée et le doigt sur l'interrupteur. Avant d'installer la batterie, assurez-vous que l'interrupteur est en position d'arrêt.
9. Avant l'exécution du travail, vérifiez l'absence de clôtures grillagées et de pierres ou autres objets solides dans la zone de travail. Ils peuvent endommager la lame de désherbage.
10. Avant d'utiliser l'outil, assurez-vous qu'il n'y a pas de corps étrangers tels que clôtures grillagées ou câblage dissimulé dans les haies et buissons.

Mode de fonctionnement

1. Utilisez l'équipement seulement avec un bon éclairage et dans de bonnes conditions de visibilité. En hiver, faites attention aux sols glissants, aux emplacements mouillés, à la glace et à la neige (risque de glissade). Assurez-vous toujours d'avoir une bonne assise dans les pentes. De plus, marchez, ne courez pas.
2. Prenez garde de vous blesser aux pieds et aux mains avec l'outil de coupe.
3. N'utilisez jamais l'équipement en vous tenant sur une échelle.
4. Ne grimpez jamais dans un arbre pour y effectuer la coupe à l'aide de l'équipement.
5. Ne travaillez jamais sur des surfaces instables.
6. Retirez le sable, les pierres, les clous et autres objets qui se trouvent dans la zone de travail. Les corps étrangers peuvent endommager l'outil de coupe et entraîner de dangereux reculs.
7. Si l'outil de coupe heurte des pierres ou autres objets durs, coupez immédiatement le moteur et inspectez l'outil de coupe.
8. Inspectez l'outil de coupe selon de courts intervalles réguliers pour y déceler des dommages (détection de fissures fines à l'aide d'un test du bruit au moyen d'un tapotement).
9. Retirez toujours la batterie de l'équipement :
 - chaque fois que vous laissez l'équipement sans surveillance;
 - avant de le débloquer;
 - avant d'inspecter l'équipement, de le nettoyer ou de travailler dessus;
 - après avoir heurté un corps étranger;
 - chaque fois que l'équipement vibre de façon anormale.
10. L'équipement de coupe continue à fonctionner une fois que le moteur est mis à l'arrêt.
11. Lors de la pose ou du retrait du couvre-lame, prenez soin de ne pas vous blesser les mains.

Instructions d'entretien

1. L'état de l'équipement, en particulier de l'outil de coupe des dispositifs de protection doit être vérifié avant de commencer le travail.
2. Coupez le moteur et retirez la batterie avant d'effectuer tout travail d'entretien, de remplacer les outils de coupe ou de nettoyer l'équipement ou l'outil de coupe.

3. Lorsque vous n'utilisez pas l'outil, fixez-y le couvre-lame et rangez l'outil à l'intérieur, dans un emplacement sec, élevé, verrouillé et hors de portée des enfants.

CONSERVEZ CES INSTRUCTIONS.

⚠ MISE EN GARDE : NE vous laissez PAS tromper (au fil d'une utilisation répétée) par un sentiment d'aisance ou de familiarité avec le produit en négligeant les consignes de sécurité qui accompagnent le produit. **UNE UTILISATION INCORRECTE** ou le non-respect des règles de sécurité énoncées dans le présent manuel d'instructions peut provoquer des blessures graves.

⚠ MISE EN GARDE : L'utilisation de ce produit peut générer des poussières contenant des substances chimiques, lesquelles peuvent causer des problèmes respiratoires ou autres maladies. Parmi ces substances chimiques figurent les composés que l'on retrouve dans les pesticides, insecticides, fertilisants et herbicides.

Les risques liés à l'exposition varient suivant la fréquence d'exécution du type de travail en question. Pour réduire votre exposition à ces substances chimiques : travaillez dans un emplacement bien aéré et avec des dispositifs de sécurité approuvés, tels que les masques antipoussières spécialement conçus pour filtrer les particules microscopiques.

Symboles

Les symboles qui peuvent être utilisés pour l'équipement sont indiqués ci-dessous. Vous devez avoir compris leur signification avant l'utilisation.



Mise en garde; Débranchez la batterie avant de réaliser un entretien.



Maintenez vos pieds à l'écart de la lame de désherbage.



Ne laissez pas les curieux et les animaux approcher à moins de 5 m (17 pi) de l'outil électrique.



Surfaces chaudes - Brûlures aux doigts ou aux mains.

DESCRIPTION DES PIÈCES

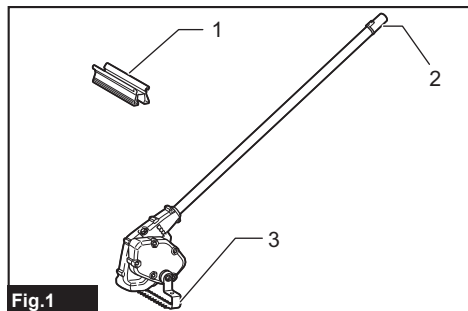


Fig.1

- 1. Couvre-lames 2. Capuchon 3. lame de désherbage

ASSEMBLAGE

▲ MISE EN GARDE : Avant d'assembler ou de régler l'équipement, coupez le moteur et retirez la batterie. Dans le cas contraire, la machine pourrait démarrer accidentellement et entraîner des blessures.

▲ MISE EN GARDE : Déposez toujours l'équipement avant de l'assembler ou de le régler. Assembler ou régler l'équipement en le laissant debout peut entraîner une grave blessure.

▲ MISE EN GARDE : Respectez les mises en garde et prenez les précautions du chapitre « CONSIGNES DE SÉCURITÉ » et du manuel d'instructions de l'unité d'alimentation.

Assemblage de l'accessoire

1. Fixez les 2 plaques de réglage sur l'outil de manière à ce que les rainures des plaques soient orientées vers l'extérieur.

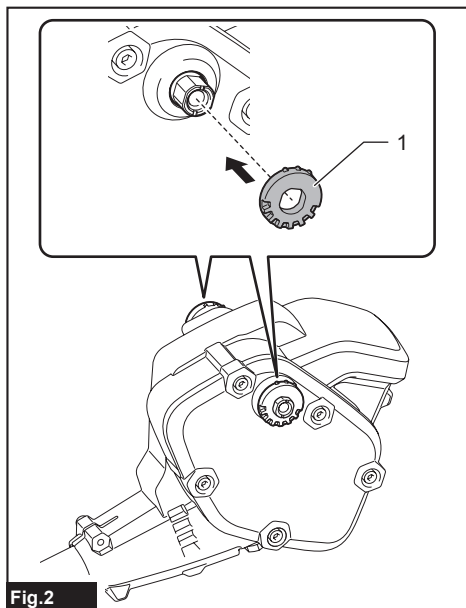


Fig.2

- 1. Plaque de réglage

2. Fixez la plaque de désherbage sur les plaques de réglage tout en ouvrant la lame vers l'extérieur légèrement. Lors de la fixation de la lame de désherbage, assurez-vous que la flèche pointe vers le tube.

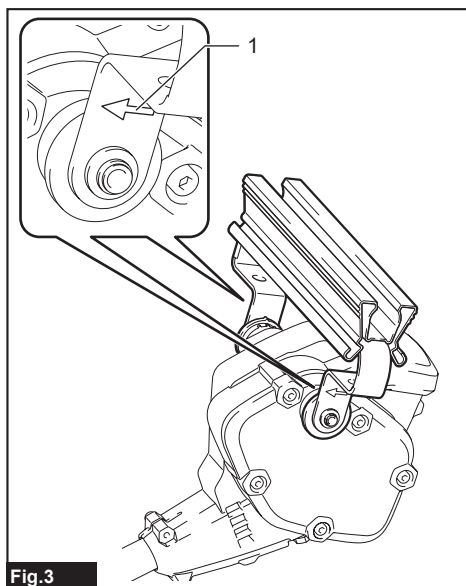


Fig.3

- 1. Flèche

L'angle de la lame de dés herbage peut être changé en alignant la partie saillante de la lame de dés herbage avec l'une des parties saillantes sur les plaques de réglage.

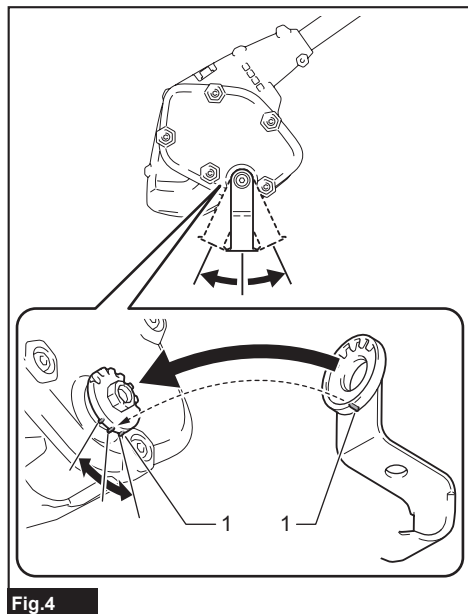


Fig.4

► 1. Partie saillante

AVIS : Assurez-vous que les flèches sur la lame de dés herbage sont orientées dans la direction illustrée sur la figure.

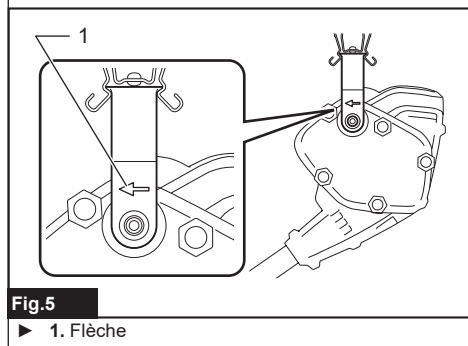


Fig.5

► 1. Flèche

3. Assurez-vous que la lame de dés herbage est engagée avec les plaques de réglage.

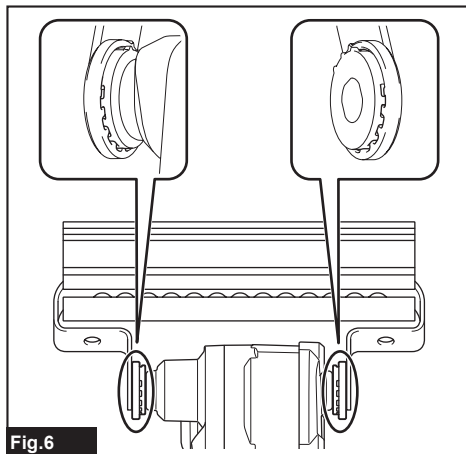


Fig.6

4. Insérez le boulon depuis le côté sans l'écrou et serrez le boulon avec la clé.

Assurez-vous que le boulon est solidement serré.

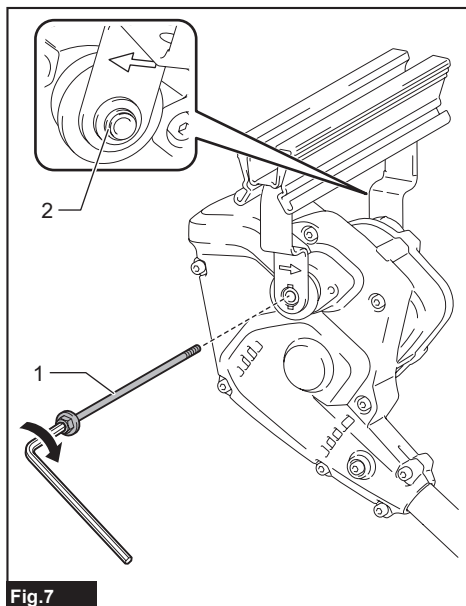


Fig.7

► 1. Boulon 2. Écrou

NOTE : Couple de serrage : 5 - 10 N•m

Montage du tube de fixation

ATTENTION : Après la pose, assurez-vous toujours que le tube de fixation est bien fixé. En cas de pose incorrecte, la fixation risque de se détacher de l'unité d'alimentation et d'entraîner une blessure.

Montez le tube de fixation sur le groupe moteur.

1. Retirez le capuchon, à l'extrémité du tube.

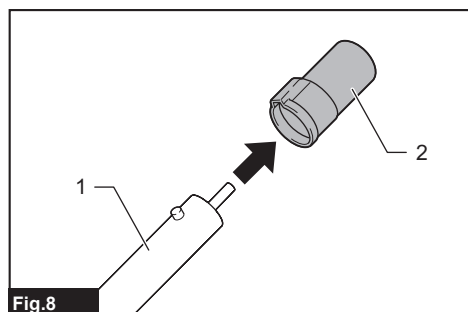


Fig.8

- 1. Tube 2. Capuchon

AVIS : Ne jetez pas le capuchon, car il est nécessaire pour remiser l'accessoire.

2. Tournez le levier vers la fixation.

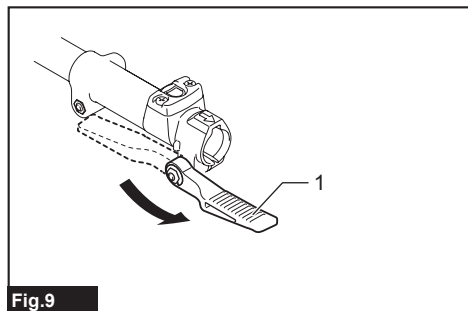


Fig.9

- 1. Levier

3. Alignez la broche sur la marque de flèche de l'unité d'alimentation. Insérez le tube jusqu'à ce que le bouton de libération surgisse.

Assurez-vous que la ligne de positionnement est à l'extrémité de la marque de flèche de l'unité d'alimentation, et que la marque de flèche de l'unité d'alimentation et la marque de flèche du tube sont face à face.

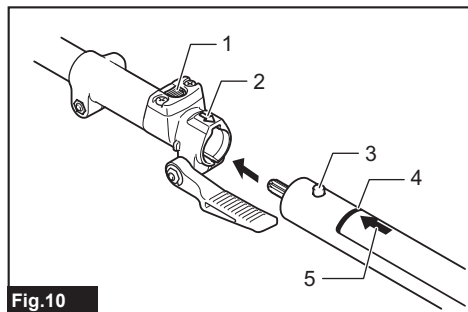


Fig.10

- 1. Bouton de libération 2. Marque de flèche de l'unité d'alimentation 3. Broche 4. Ligne de positionnement 5. Marque de flèche du tube

4. Tournez le levier vers l'unité d'alimentation.

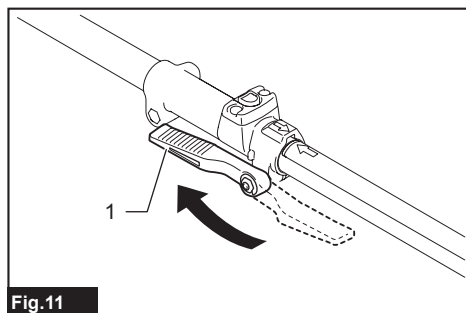


Fig.11

- 1. Levier

Assurez-vous que la surface du levier est parallèle au tube.

AVIS : Ne serrez pas le levier sans avoir inséré le tube de fixation. Autrement, le levier risque de trop serrer l'entrée de l'arbre d'entraînement et de l'endommager.

Pour retirer le tube, tournez le levier vers la fixation et tirez sur le tube tout en enfonçant le bouton de libération.

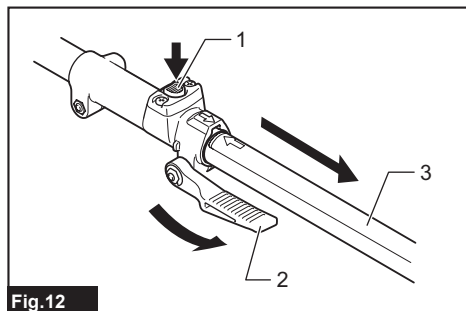


Fig.12

- 1. Bouton de libération 2. Levier 3. Tube

Retrait ou pose du couvre-lames

Pour retirer le couvre-lame, poussez-le vers l'intérieur et tournez-le.

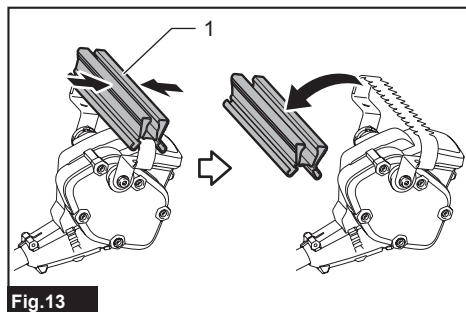


Fig.13

- 1. Couvre-lame

Pour fixer le couvre-lame, accrochez-le d'un côté de la lame de désherbage, puis tournez-le.

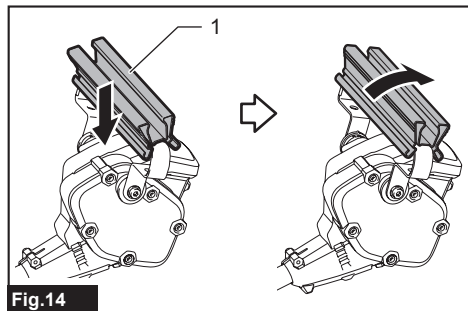


Fig.14

► 1. Couvre-lame

NOTE : Vous pouvez fixer le couvre-lame au tube, comme illustré dans la figure.

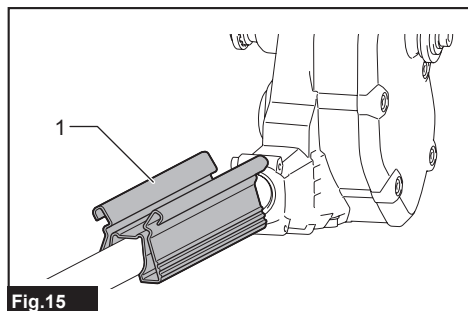


Fig.15

► 1. Couvre-lame

Pose ou retrait de la lame de désherbage

⚠ATTENTION : Lorsque vous remplacez la lame de désherbage, portez toujours des gants pour éviter que vos mains n'entrent directement en contact avec la lame de désherbage.

⚠ATTENTION : Fixez le couvre-lame avant de retirer ou de poser les lames de désherbage.

1. Fixez le couvre-lame aux lames de désherbage.

2. Retirez le boulon en le desserrant avec la clé.

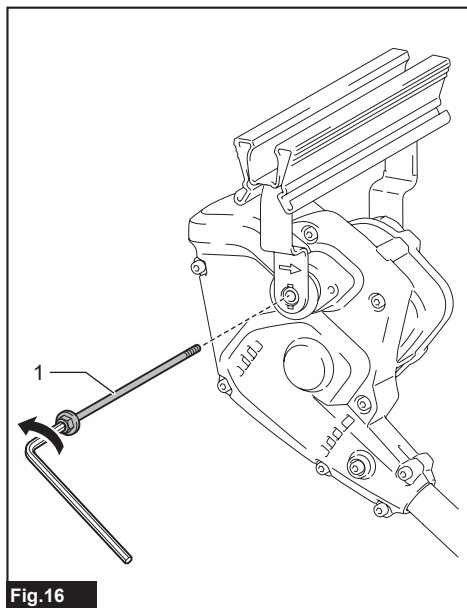


Fig.16

► 1. Boulon

3. Retirez la lame de désherbage tout en ouvrant la lame de désherbage vers l'extérieur légèrement.

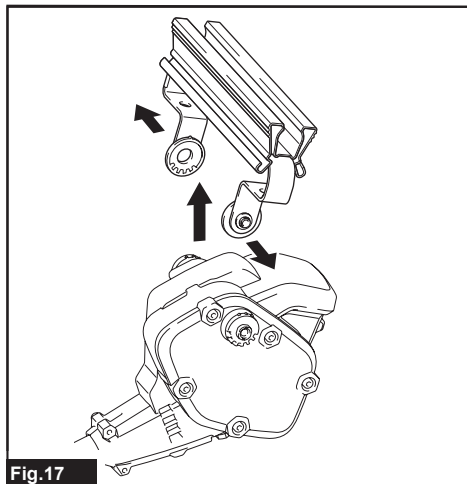


Fig.17

Posez la lame de désherbage en consultant les instructions pour l'assemblage de l'outil.

DESCRIPTION DU FONCTIONNEMENT

⚠ ATTENTION : Assurez-vous toujours que l'outil est éteint et que sa batterie est retirée avant de l'ajuster ou de vérifier son fonctionnement.

Réglage de l'angle de coupe

⚠ ATTENTION : Avant d'ajuster l'angle de coupe, assurez-vous toujours que l'outil est éteint.

L'angle de la lame de désherbage peut être changé selon trois niveaux. Pour changer l'angle, alignez la partie saillante de la lame de désherbage avec celle des parties saillantes sur les plaques de réglage, puis posez la lame de désherbage.

1. Desserrez le boulon qui fixe la lame de coupe à l'aide de la clé.
2. Alignez la partie saillante de la lame de désherbage avec celle des parties saillantes sur les plaques de réglage.
3. Resserrez le boulon pour fixer la lame de coupe.

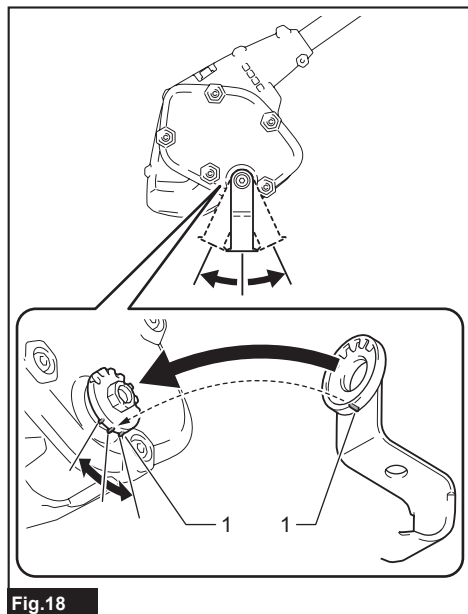


Fig.18

► 1. Partie saillante

UTILISATION

⚠ MISE EN GARDE : Respectez les mises en garde et prenez les précautions du chapitre « CONSIGNES DE SÉCURITÉ » et du manuel d'instructions de l'unité d'alimentation.

Utilisation de l'outil

⚠ MISE EN GARDE : Gardez les mains à l'écart de la lame de désherbage.

⚠ MISE EN GARDE : Redoublez de prudence pour garder le contrôle de l'outil en tout temps. Ne laissez pas l'outil dévier vers vous ou vers quiconque près de la zone de travail. La perte de contrôle de l'outil peut causer de graves blessures, aussi bien à vous-même qu'aux personnes présentes.

⚠ MISE EN GARDE : Avant le désherbage, enlevez tous les bâtons et pierres de la zone à désherber.

NOTE : Cet outil est destiné à retirer les mauvaises herbes de moins de 15 cm (5-7/8").



Fig.19

⚠ ATTENTION : Autant que possible, évitez d'utiliser l'outil par temps très chaud. Lorsque vous utilisez l'outil, soyez attentif à votre condition physique.

⚠ ATTENTION : Prenez garde de toucher accidentellement une clôture métallique ou autre objet dur en désherbant. La lame de désherbage risquerait de se casser et de causer une blessure.

⚠ ATTENTION : Il est extrêmement dangereux de trop tendre les bras avec l'outil, et ce tout particulièrement sur une échelle. Ne montez jamais sur un objet branlant ou fragile pour effectuer le travail.

AVIS : N'utilisez pas l'outil d'une manière qui provoque l'arrêt du moteur ou le fait tourner très lentement.

Tenez l'outil avec les deux mains en tenant la poignée avant et la poignée arrière de l'unité d'alimentation.

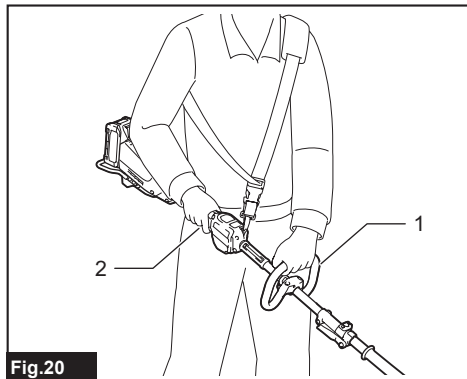


Fig.20

► 1. Poignée avant 2. Poignée arrière

Mettez l'outil en marche alors que la lame de désherbage ne touche pas le sol. Placez la lame de désherbage sur le sol et tirez l'outil vers vous lentement pour désherber. Il est plus facile de travailler lorsque la lame de désherbage est à un angle presque perpendiculaire au sol.

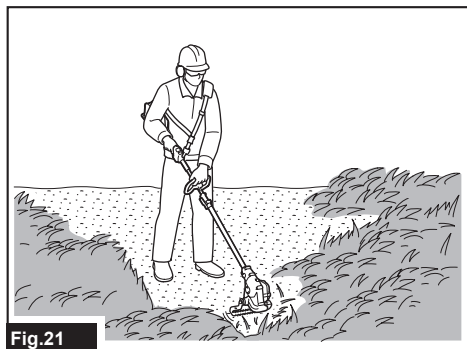


Fig.21

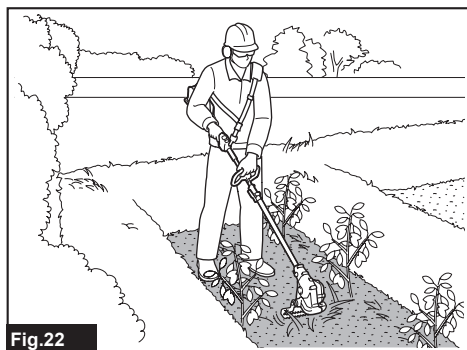


Fig.22

ENTRETIEN

⚠ MISE EN GARDE : Avant de procéder à l'inspection ou à l'entretien de l'équipement, coupez le moteur et retirez la batterie. Dans le cas contraire, la machine pourrait démarrer accidentellement et entraîner des blessures graves.

⚠ MISE EN GARDE : Déposez toujours l'équipement avant de procéder à l'inspection ou l'entretien. Assembler ou régler l'équipement en le laissant debout peut entraîner une grave blessure.

⚠ MISE EN GARDE : Respectez les mises en garde et prenez les précautions du chapitre « CONSIGNES DE SÉCURITÉ » et du manuel d'instructions de l'unité d'alimentation.

⚠ ATTENTION : Portez des gants lorsque vous effectuez l'inspection ou l'entretien.

AVIS : N'utilisez jamais d'essence, de benzine, de solvant, d'alcool ou autres produits similaires. Une décoloration, une déformation ou la formation de fissures peuvent en découler.

Pour maintenir la SÉCURITÉ et la FIABILITÉ du produit, les réparations et tout autre travail d'entretien ou de réglage doivent être effectués dans un centre de service après-vente autorisé ou une usine Makita, exclusivement avec des pièces de rechange Makita.

Nettoyage de l'outil

Nettoyez l'outil en essuyant les poussières avec un linge sec ou trempé dans une eau savonneuse et essoré.

Entretien de la lame

Après l'opération, retirez l'herbe ou les racines de la lame.

AVIS : Ne lavez pas la lame dans l'eau. Cela risquerait de causer de la rouille ou d'endommager la lame ou l'outil.

Rangement

Fixez le couvre-lame aux lames de désherbage. Rangez l'outil hors de la portée des enfants. Rangez l'outil dans un emplacement non exposé à l'humidité ou à la pluie. Lorsque vous rangez la tête séparément de l'unité d'alimentation, mettez le capuchon sur l'extrémité du tube.

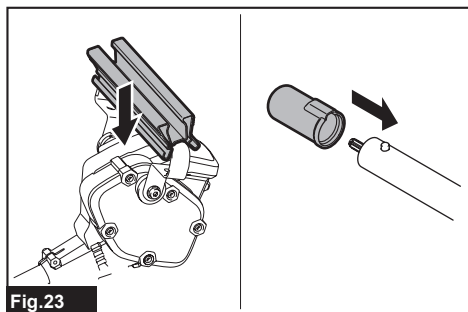


Fig.23

Lubrification des pièces mobiles

AVIS : Suivez les instructions relatives à la fréquence et à la quantité de graisse fournie. Sinon, une lubrification insuffisante peut endommager les pièces mobiles.

Axe d'entraînement :

Appliquez de la graisse (graisse Makita N No.2 ou équivalente) toutes les 25 heures d'utilisation.

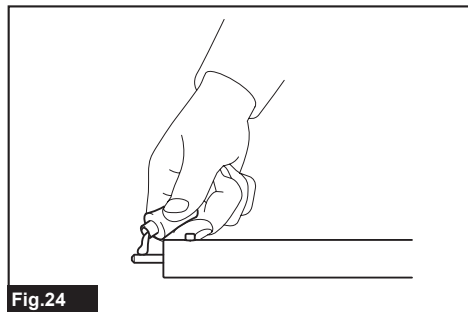


Fig.24

NOTE : Vous pouvez vous procurer de la graisse Makita authentique chez votre détaillant Makita local.

Lubrification à la graisse

Intervalle de lubrification : Toutes les 25 heures d'utilisation

1. Retirez le boulon du trou pour la lubrification.

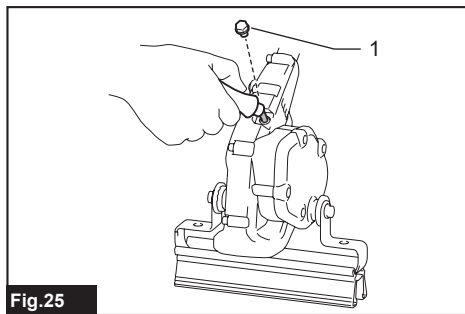


Fig.25

- ▶ 1. Boulon
2. Appliquez de la graisse (graisse Makita SG No.0 ou l'équivalent) sur l'outil (environ 3,0 g (0,1 oz) comme guide).
3. Serrez le boulon.

DÉPANNAGE

Avant de faire une demande de réparation, faites d'abord votre propre inspection. Si vous rencontrez un problème non indiqué dans ce manuel, n'essayez pas de démonter l'outil. Demandez plutôt à un centre de service après-vente Makita agréé de faire la réparation avec des pièces de rechange Makita.

État anormal	Cause probable (dysfonctionnement)	Solution
Le moteur ne démarre pas.	-	Reportez-vous au manuel d'instructions de l'unité d'alimentation.
Le moteur s'arrête peu après avoir démarré.	-	Reportez-vous au manuel d'instructions de l'unité d'alimentation.
Le moteur n'accélère pas.	-	Reportez-vous au manuel d'instructions de l'unité d'alimentation.
La lame de désherbage ne bouge pas : ⇒ arrêtez immédiatement la machine !	Le dispositif d'entraînement ne fonctionne pas bien.	Demandez à votre centre local de service après-vente agréé d'effectuer la réparation.
Vibration anormale : ⇒ arrêtez immédiatement la machine !	La lame de désherbage est brisée, pliée ou usée.	Remplacez la lame de désherbage.
	Le dispositif d'entraînement ne fonctionne pas bien.	Demandez à votre centre local de service après-vente agréé d'effectuer la réparation.
Impossible d'arrêter la lame de désherbage et le moteur : ⇒ Retirez immédiatement la batterie !	Dysfonctionnement électrique.	Retirez la batterie et demandez à votre centre local de service après-vente agréé d'effectuer la réparation.

ACCESSOIRES EN OPTION

⚠ ATTENTION : Ces accessoires ou pièces complémentaires sont recommandés pour l'utilisation avec la machine Makita spécifiée dans ce manuel. L'utilisation de tout autre accessoire ou pièce complémentaire peut comporter un risque de blessure. N'utilisez les accessoires ou pièces complémentaires qu'aux fins auxquelles ils ont été conçus.

Si vous désirez obtenir plus de détails sur ces accessoires, veuillez contacter le centre de service après-vente Makita le plus près.

- Lame de désherbage
- Lame de motoculteur
- Chargeur et batterie authentiques Makita

NOTE : Certains éléments de la liste peuvent être inclus dans l'emballage du produit comme accessoires standard. Ils peuvent varier d'un pays à l'autre.

ESPECIFICACIONES

Modelo:	WA400MP
Amplitud de corte	220 mm (8-5/8")
Dimensiones (La x An x Al)	980 mm x 226 mm x 196 mm (38-1/2" x 8-7/8" x 7-3/4")
Peso neto	2,8 kg (6,2 lbs)

- Debido a nuestro programa continuo de investigación y desarrollo, las especificaciones aquí dadas están sujetas a cambios sin previo aviso.
- Las especificaciones pueden variar de país a país.

Unidad motorizada aprobada

Este accesorio está aprobado para usarse únicamente con la(s) siguiente(s) unidad(es) motorizada(s):

- Herramienta Multifuncional Inalámbrica DUX60
- Herramienta Multifuncional Inalámbrica XUX01
- Herramienta Multifuncional Inalámbrica DUX18
- Herramienta Multifuncional Inalámbrica XUX02
- Herramienta Multifuncional Inalámbrica UX01G
- Herramienta Multifuncional Inalámbrica GUX01

⚠ ADVERTENCIA: Nunca utilice el accesorio con una unidad motorizada no aprobada. Una combinación no aprobada podría ocasionar lesiones graves.

Uso pretendido

Este accesorio se ha diseñado exclusivamente con la finalidad de deshierbar el césped del suelo en conjunción con una unidad motorizada aprobada. Nunca use el accesorio para ningún otro propósito. Hacer un mal uso del accesorio puede causar lesiones graves.

ADVERTENCIAS DE SEGURIDAD

Advertencias de seguridad del accesorio para deshierbar

1. **No utilice la máquina en condiciones de mal clima, especialmente cuando exista riesgo de rayos.** Esto disminuye el riesgo de ser golpeado por un rayo.
2. **Inspeccione minuciosamente el área en busca de vida silvestre donde se utilizará la máquina.** La máquina podría dañar la vida silvestre durante su funcionamiento.
3. **Inspeccione minuciosamente el área donde se utilizará la máquina y retire todas las piedras, palos, cables, huesos y otros objetos extraños.** Los objetos lanzados podrían ocasionar lesiones personales.
4. **Antes de usar la máquina, siempre inspeccione visualmente para ver que la cuchilla para deshierbar no esté dañada.** Una pieza dañada aumenta el riesgo de lesión.
5. **Siga las instrucciones para cambiar los accesorios.** Las tuercas o los pernos que sujetan la cuchilla apretados incorrectamente podrían dañar la cuchilla o hacer que se suelte.
6. **Utilice protección para los ojos, los oídos, la cabeza y las manos.** El uso de equipo de protección adecuado reducirá las lesiones personales por los residuos que salgan proyectados o el contacto accidental con la línea de corte o la cuchilla.
7. **Cuando opere la máquina, use siempre calzado de protección con suela antiderrapante. No opere la máquina estando descalzo o con sandalias abiertas.** Esto reduce la posibilidad de lesiones en los pies por el contacto con las cortadoras o líneas de corte en movimiento.
8. **Mientras opera la máquina, use siempre pantalones largos.** La piel expuesta aumenta la probabilidad de lesiones por objetos arrojados.
9. **Mantenga alejados a las personas alrededor durante la operación de la máquina.** Los restos que salgan disparados pueden ocasionar graves lesiones personales.
10. **Utilice siempre ambas manos cuando opere la máquina.** Sostener la máquina con ambas manos evitará la pérdida de control.
11. **Sujete la máquina por las superficies de aislamiento aisladas solamente, ya que la línea de corte o la cuchilla podría entrar en contacto con cableado oculto.** La línea de corte o las cuchillas que entren en contacto con un cable con corriente podrán hacer que la corriente circule por las partes metálicas expuestas de la máquina, pudiendo ocasionar una descarga eléctrica al operador.
12. **Siempre mantenga un apoyo adecuado y opere la máquina solo cuando esté parado en el piso.** Las superficies resbalosas o inestables pueden causar la pérdida del equilibrio o del control de la máquina.
13. **No opere la máquina sobre pendientes excesivamente pronunciadas.** Esto reducirá el riesgo de pérdida de control, resbalones y caídas que podrían causar lesiones personales.

14. **Cuando trabaje en pendientes, asegúrese siempre de pisar firmemente y de frente a estas, nunca arriba ni abajo, y de tener extrema precaución al cambiar de dirección.** Esto reducirá el riesgo de pérdida de control, resbalones y caídas que podrían causar lesiones personales.
15. **Mantenga todas las partes del cuerpo alejadas de la cuchilla para deshierbar cuando la máquina esté en funcionamiento. Antes de poner en marcha la máquina, asegúrese de que la cuchilla para deshierbar no esté en contacto con nada.** Un momento de falta de atención mientras opera la máquina podría resultar en lesiones para usted o para otros.
16. **No opere la máquina por encima de la altura de la cintura.** Esto le ayudará a prevenir que la cuchilla para deshierbar haga contacto de manera no intencional y le permita un mejor control de la máquina durante situaciones inesperadas.
17. **Cuando corte arbustos o árboles jóvenes que se encuentren tensionados, esté alerta a su liberación brusca.** Al liberarse la tensión en las fibras de la madera, el arbusto o el árbol joven podría golpear al operador o provocar la pérdida de control de la máquina.
18. **Tenga extrema precaución al cortar matorrales y árboles jóvenes.** El material tierno puede quedar atascado en la cuchilla y ser lanzado hacia usted o hacerle perder el equilibrio.
19. **Mantenga el control de la máquina y no toque la cuchilla para deshierbar y otras piezas móviles peligrosas mientras todavía están en movimiento.** Esto reduce el riesgo de lesión con las partes en movimiento.
20. **Transporte la máquina cuando esté apagada y alejada de su cuerpo.** La manipulación adecuada de la máquina reducirá la probabilidad de un contacto accidental con una cortadora, línea de corte o cuchilla en movimiento.
21. **Al transportar o almacenar la máquina, colóque siempre la cubierta en la cuchilla para deshierbar.** La manipulación adecuada de la máquina reducirá la probabilidad de un contacto accidental con la cuchilla.
22. **Use solamente cuchillas para deshierbar especificadas por el fabricante.** Las piezas de repuesto incorrectas podrían aumentar el riesgo de rotura y lesiones.
23. **Al retirar material atascado o reparar la máquina, asegúrese de que el interruptor esté apagado, y que la batería esté retirada.** El arranque inesperado de la máquina mientras se quita el material atascado o se le da servicio podría resultar en lesiones personales graves.
2. **Nunca permita que los niños ni las personas con capacidades físicas, sensoriales o mentales reducidas, o que no cuenten con experiencia ni conocimientos o no estén familiarizadas con estas instrucciones utilicen la máquina, y las regulaciones locales podrían restringir la edad del operador.**
3. **Use el equipo con extremo cuidado y atención.**
4. **Opere el equipo solo si se encuentra en buena condición física. Realice todo el trabajo tranquilo y cuidadosamente. Use el sentido común y tenga en cuenta que el operador o usuario es responsable de los accidentes o peligros que le ocurran a otras personas o a su propiedad.**
5. **Nunca opere la máquina cuando haya personas, especialmente niños, o mascotas cerca.**
6. **El motor debe apagarse inmediatamente en caso de que el equipo muestre algún problema o señal anormal.**
7. **Apague y retire el cartucho de batería cuando descansa y cuando deje el equipo desatendido, y colóquelo en un lugar seguro para evitar peligros para otras personas o daños al equipo.**
8. **Evite usar la máquina en condiciones de mal clima, especialmente cuando exista riesgo de rayos.**

Equipo de protección personal

1. **Utilice protección para los ojos y calzado grueso en todo momento mientras opera la máquina.**
2. **Siempre use calzado robusto y pantalones largos al operar la máquina.**

Puesta en marcha del equipo

1. **Asegúrese de que no haya niños ni otras personas cerca, y cuide también que no haya animales alrededor del área de trabajo.** En caso contrario, interrumpa la operación del equipo.
2. **Durante la operación, mantenga a las personas o animales alrededor a por lo menos 5 m de distancia de la herramienta. Detenga la herramienta en cuanto alguien se acerque.**
3. **Antes de usar el equipo, revíselo siempre para una operación segura. Compruebe la seguridad de la herramienta de corte y el gatillo interruptor para un accionamiento fácil y correcto. Revise que los mangos estén limpios y secos, y compruebe el funcionamiento del arranque/paro.**
4. **Inspeccione las piezas dañadas antes de continuar usando el equipo. Una pieza que esté dañada deberá ser revisada cuidadosamente para cerciorarse de que van a funcionar correctamente y realizar el trabajo para el que fueron diseñados. Verifique la alineación de las piezas móviles, la unión de las mismas, roturas de las piezas, montura y cualquier otra condición que pueda afectar la operación. Una pieza que esté dañada deberá ser debidamente reparada o reemplazada por un centro de servicio autorizado, a menos que se indique de alguna otra forma en este manual.**

Advertencias de seguridad adicionales

Instrucciones generales

1. **Para garantizar el correcto funcionamiento, el usuario debe leer este manual de instrucciones para familiarizarse con el manejo del equipo.** Los usuarios sin suficiente información correrán el riesgo de ponerse en peligro a sí mismos y a los demás debido a un manejo inadecuado.

5. Encienda el motor sólo cuando tenga las manos y pies alejados de la herramienta de corte.
6. Antes de comenzar, asegúrese de que la herramienta de corte no tenga contacto con ningún objeto.
7. Siempre que utilice la herramienta sosténgala firmemente.
8. Evite un arranque accidental. No traslade la herramienta cuando el cartucho de batería esté instalado y con el dedo puesto sobre el interruptor. Asegúrese de que el interruptor se encuentre apagado cuando instale el cartucho de batería.
9. Antes de la operación, examine el área de trabajo para ver si hay alambros, piedras u otros objetos sólidos. Estos pueden dañar la cuchilla para deshierbar.
10. Antes de operar la herramienta, revise los setos y arbustos para ver que no haya objetos extraños, tales como cercas de alambre o cableado oculto.

Método de operación

1. Use el equipo solo en condiciones de buena iluminación y visibilidad. Durante la época de invierno, tenga cuidado con las áreas resbalosas o mojadas, así como con el hielo y la nieve (riesgo de resbalones). Asegúrese siempre de pisar con seguridad en las pendientes y asegúrese de caminar y nunca correr.
2. Tenga cuidado con la herramienta de corte para evitar lesiones en pies y manos.
3. Nunca se coloque sobre una escalera para poner en marcha el equipo.
4. Nunca se suba a árboles para realizar una operación de corte con el equipo.
5. Nunca trabaje sobre superficies inestables.
6. Retire la arena, piedras, clavos, etc., que encuentre en el área de trabajo. Las partículas extrañas podrían dañar la herramienta de corte y causar un peligroso retroceso brusco.
7. Si la herramienta de corte llega a golpear piedras u otros objetos duros, apague inmediatamente el motor e inspeccione la herramienta de corte.
8. Inspeccione la herramienta de corte a intervalos cortos y regulares en busca de daños (detección de grietas finas mediante la prueba de ruido de golpeteo).
9. Siempre retire el cartucho de batería del equipo:
 - cada vez que lo vaya a dejar desatendido;
 - antes de despejar una obstrucción;
 - antes de revisar, limpiar o trabajar en el equipo;
 - después de golpear algún objeto extraño;
 - cada vez que el equipo comience a vibrar de manera anormal.
10. Los medios de corte siguen funcionando después de apagar el motor.
11. Al colocar o quitar la cubierta de las cuchillas, tenga cuidado de no lastimarse las manos.

Instrucciones de mantenimiento

1. La condición del equipo, en particular de la herramienta de corte, así como de los dispositivos de protección, deberán ser revisados antes de iniciar la operación.
2. Apague el motor y quite el cartucho de batería antes de llevar a cabo operaciones de mantenimiento, reemplazo de las herramientas de corte o la limpieza del equipo o de la herramienta de corte.
3. Cuando no se vayan a usar, coloque la cubierta de las cuchillas a la herramienta y almacene la herramienta en interiores en un lugar seco y elevado, cerrado con llave, fuera del alcance de los niños.

GUARDE ESTAS INSTRUCCIONES.

ADVERTENCIA: NO DEJE que la comodidad o familiaridad con el producto (a base de utilizarlo repetidamente) evite que siga estrictamente las normas de seguridad para dicho producto. El USO INCORRECTO o el no seguir las normas de seguridad indicadas en este manual de instrucciones puede ocasionar lesiones graves.

ADVERTENCIA: El uso de este producto puede producir polvo que contenga sustancias químicas que podrían causar enfermedades respiratorias o de otro tipo. Algunos ejemplos de estas sustancias químicas son los compuestos encontrados en pesticidas, insecticidas, fertilizantes y herbicidas.

El riesgo al que se expone varía, dependiendo de la frecuencia con la que realice este tipo de trabajo. Para reducir la exposición a estas sustancias químicas: trabaje en un área bien ventilada y use un equipo de seguridad aprobado, tal como las máscaras contra polvo que están especialmente diseñadas para filtrar partículas microscópicas.

Símbolos

A continuación se muestran los símbolos que pueden ser utilizados para el equipo. Asegúrese de que entienda su significado antes de utilizar.



Advertencia: antes de dar mantenimiento, desconecte la batería.



Mantenga los pies alejados de la cuchilla para deshierbar.



Mantenga a las personas o animales alrededor a por lo menos 5 m (17 FT) de distancia de la herramienta eléctrica.



Superficies calientes - Quemaduras de los dedos o las manos.

DESCRIPCIÓN DE LAS PIEZAS

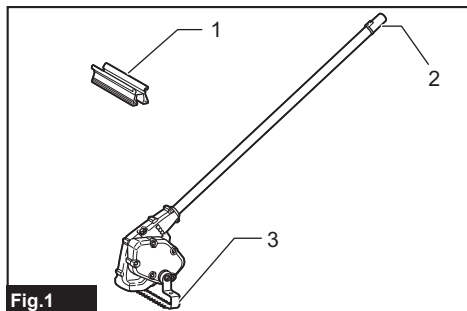


Fig.1

- 1. Cubierta de las cuchillas 2. Tapa 3. Cuchilla para deshierbar

MONTAJE

⚠ADVERTENCIA: Antes de ensamblar o ajustar el equipo, apague el motor y retire el cartucho de batería. De lo contrario, la máquina podría ponerse en marcha sin querer y provocar lesiones.

⚠ADVERTENCIA: Cuando ensamble o ajuste el equipo, déjelo siempre en el suelo. El ensamble o ajuste del equipo en una posición vertical podría ocasionar lesiones graves.

⚠ADVERTENCIA: Siga las advertencias y precauciones contenidas en el capítulo "ADVERTENCIAS DE SEGURIDAD" y el manual de instrucciones de la unidad motorizada.

Ensamble del accesorio

1. Coloque las 2 placas de ajuste al accesorio, de modo que las ranuras de las placas miren hacia afuera.

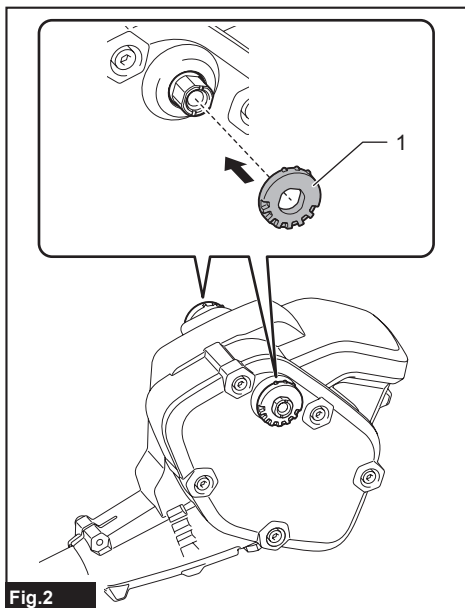


Fig.2

- 1. Placa de ajuste

2. Coloque la cuchilla para deshierbar en las placas de ajuste mientras abre la cuchilla ligeramente hacia afuera.

Al colocar la cuchilla para deshierbar, asegúrese de que la flecha apunte hacia el tubo.

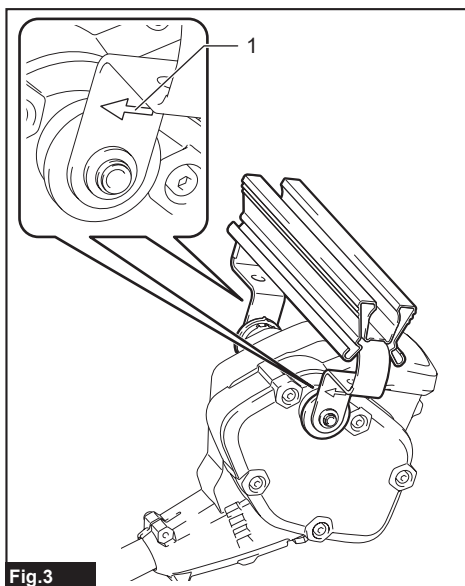


Fig.3

- 1. Flecha

El ángulo de la cuchilla para deshierbar se puede cambiar alineando el saliente de la cuchilla para deshierbar con una de las protuberancias de las placas de ajuste.

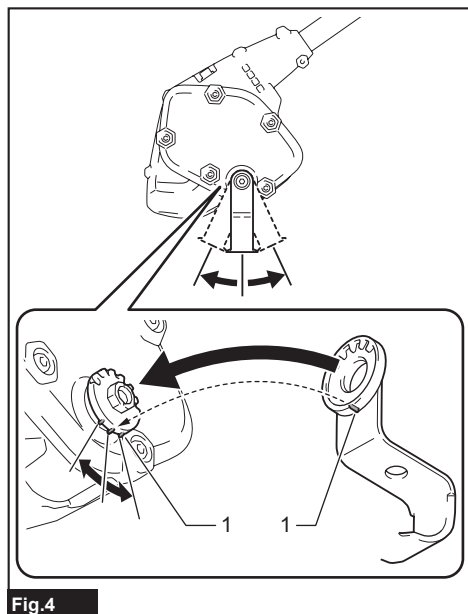


Fig.4

► 1. Protuberancia

AVISO: Asegúrese de que las flechas de la cuchilla para deshierbar apunten en la dirección que se muestra en la figura.

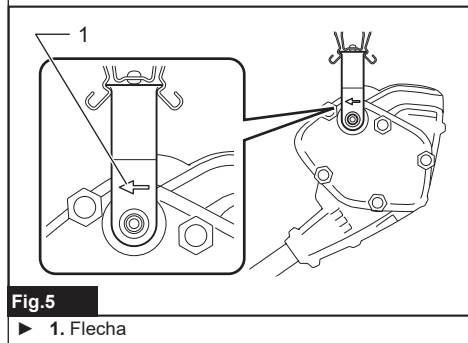


Fig.5

► 1. Flecha

3. Asegúrese de que la cuchilla para deshierbar esté acoplada con las placas de ajuste.

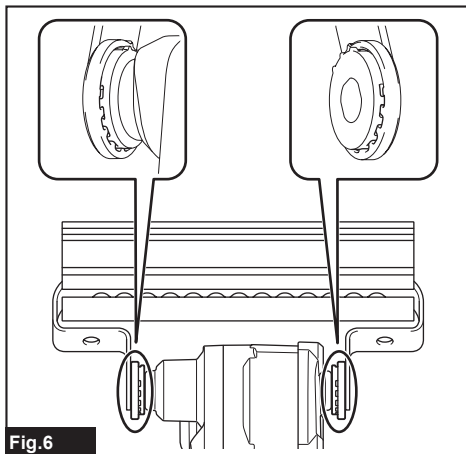


Fig.6

4. Inserte el perno desde el costado sin la tuerca, y apriete el perno con la llave.

Asegúrese de que el perno esté bien apretado.

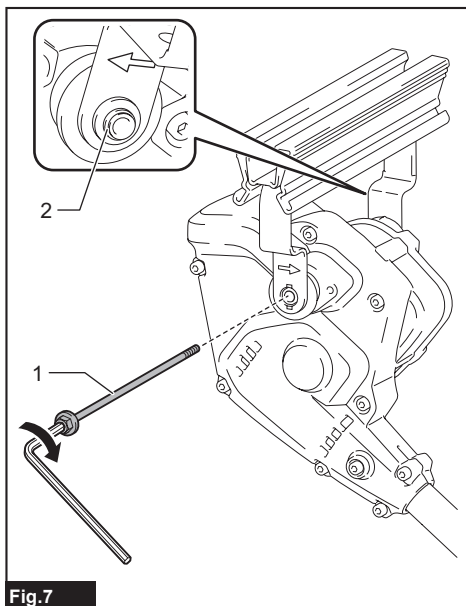


Fig.7

► 1. Perno 2. Tuerca

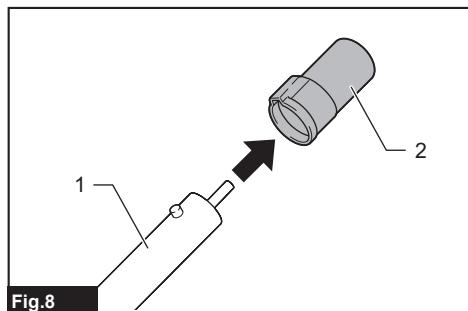
NOTA: Torsión de apriete: 5 N•m a 10 N•m

Ensamble del aditamento del tubo

⚠PRECAUCIÓN: Verifique siempre que el aditamento del tubo quede asegurado después de la instalación. Una instalación incorrecta podría causar que el aditamento se desprenda de la unidad motorizada ocasionando alguna lesión personal.

Ensamble el aditamento del tubo en la unidad motorizada.

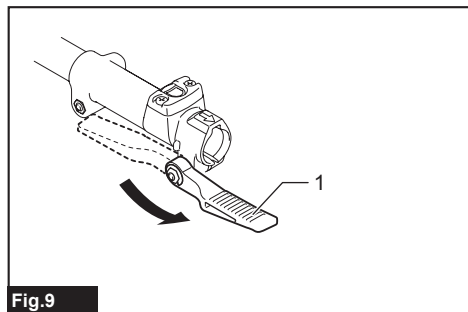
1. Retire la tapa del extremo del tubo.



► 1. Tubo 2. Tapa

AVISO: No deseche la tapa, ya que hace falta para guardar el aditamento.

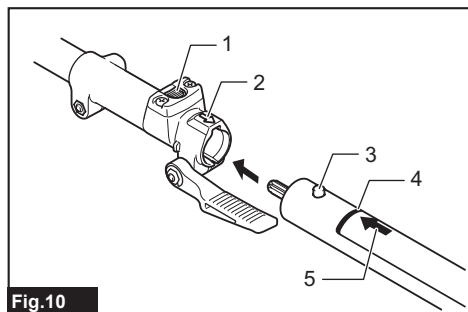
2. Gire la palanca hacia el aditamento.



► 1. Palanca

3. Alinee el pasador con la marca de flecha en la unidad motorizada. Inserte el tubo hasta que el botón de liberación aparezca.

Asegúrese de que la línea de posición esté en la punta de la marca de flecha en la unidad motorizada, y que la marca de flecha en la unidad motorizada y la marca de flecha en el tubo estén orientadas entre sí.



► 1. Botón de liberación 2. Marca de flecha en la unidad motorizada 3. Pasador 4. Línea de posición 5. Marca de flecha en el tubo

4. Gire la palanca hacia la unidad motorizada.

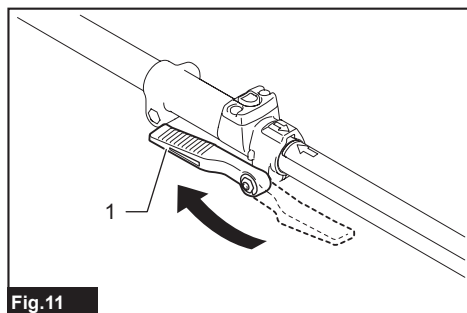


Fig.11

► 1. Palanca

Asegúrese de que la superficie de la palanca se encuentre paralela al tubo.

AVISO: No apriete la palanca sin que el aditamento del tubo esté insertado. De lo contrario, la palanca podría apretar demasiado la entrada del eje de transmisión y dañarla.

Para extraer el tubo, gire la palanca hacia el aditamento y jale el tubo hacia afuera mientras presiona hacia abajo el botón de liberación.

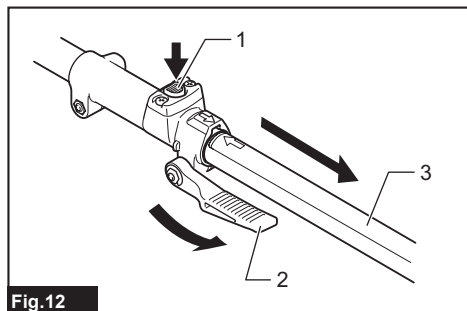


Fig.12

► 1. Botón de liberación 2. Palanca 3. Tubo

Extracción o colocación de la cubierta de las cuchillas

Para quitar la cubierta de la cuchilla, empújela hacia adentro y gírela.

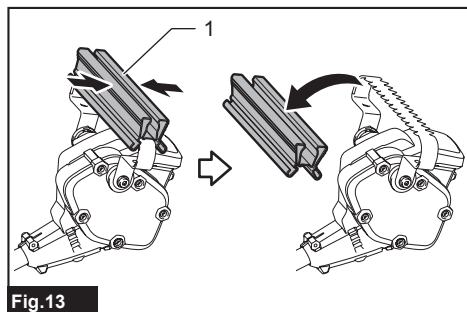


Fig.13

► 1. Cubierta de la cuchilla

Para colocar la cubierta de la cuchilla, enganche la cubierta de la cuchilla a un lado de la cuchilla para deshierbar, y luego gírela.

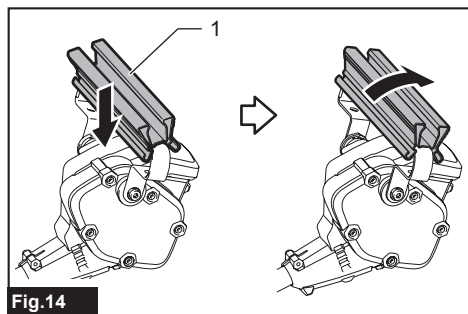


Fig.14

► 1. Cubierta de la cuchilla

NOTA: Puede fijar la cubierta de la cuchilla al tubo como se muestra en la figura.

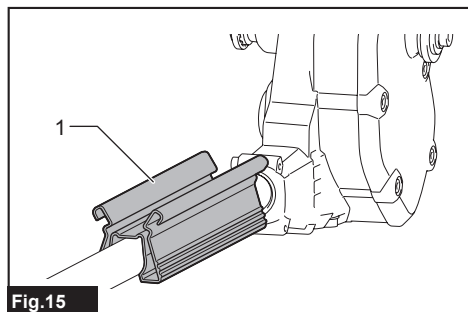


Fig.15

► 1. Cubierta de la cuchilla

Instalación o extracción de la cuchilla para deshierbar

⚠PRECAUCIÓN: Al reemplazar la cuchilla para deshierbar, use siempre guantes para que sus manos no entren en contacto directo con la cuchilla para deshierbar.

⚠PRECAUCIÓN: Coloque la cubierta de la cuchilla antes de extraer o instalar la cuchilla para deshierbar.

1. Coloque la cubierta de la cuchilla en la cuchilla para deshierbar.

2. Retire el perno aflojándolo con la llave.

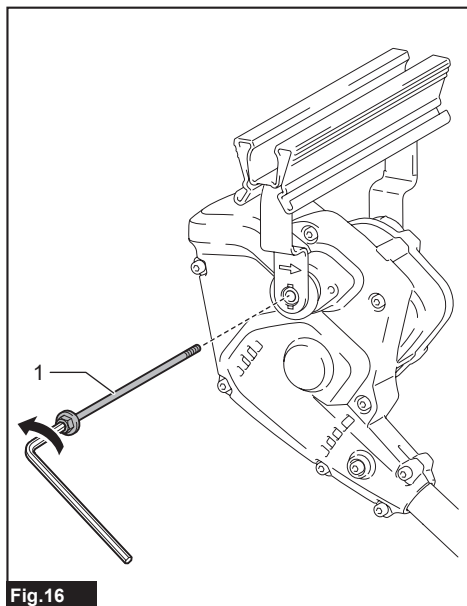


Fig.16

► 1. Perno

3. Retire la cuchilla para deshierbar mientras la abre ligeramente hacia afuera.

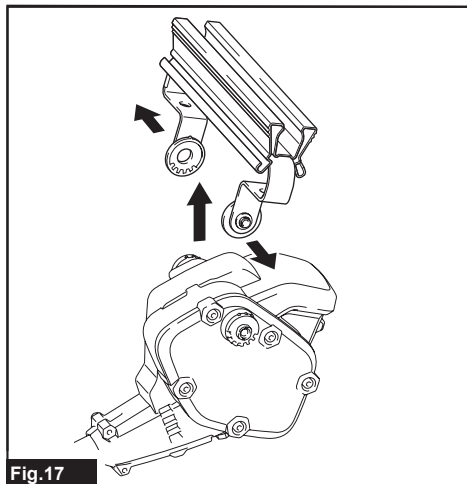


Fig.17

Instale la cuchilla para deshierbar consultando las instrucciones para ensamblar el accesorio.

DESCRIPCIÓN DEL FUNCIONAMIENTO

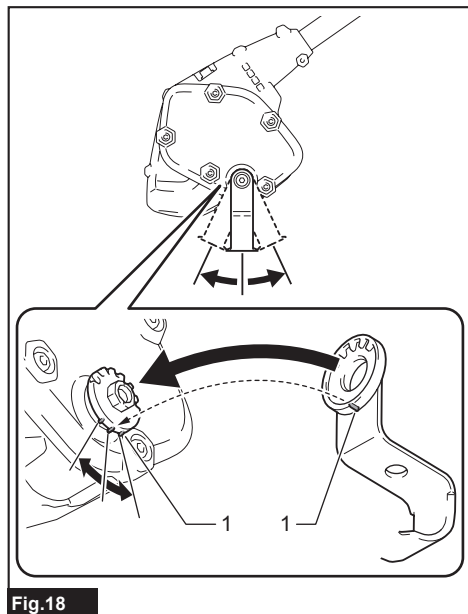
⚠PRECAUCIÓN: Asegúrese siempre de que la herramienta esté apagada y el cartucho de batería haya sido extraído antes de realizar cualquier ajuste o comprobación en la herramienta.

Ajuste del ángulo de corte

⚠PRECAUCIÓN: Asegúrese siempre de apagar la herramienta antes de ajustar el ángulo de corte.

El ángulo de la cuchilla para deshierbar se puede cambiar en tres niveles. Para cambiar el ángulo, alinee el saliente de la cuchilla para deshierbar con una de las protuberancias de las placas de ajuste, y luego instale la cuchilla para deshierbar.

1. Afloje el perno que fija la cuchilla de corte con la llave.
2. Alinee la protuberancia de la cuchilla para deshierbar con la de las protuberancias de las placas de ajuste.
3. Apriete nuevamente el perno para fijar la cuchilla de corte.



► 1. Protuberancia

OPERACIÓN

⚠ADVERTENCIA: Siga las advertencias y precauciones contenidas en el capítulo "ADVERTENCIAS DE SEGURIDAD" y el manual de instrucciones de la unidad motorizada.

Operación de la herramienta

⚠ADVERTENCIA: Mantenga las manos alejadas de la cuchilla para deshierbar.

⚠ADVERTENCIA: Sea extremadamente cuidadoso en mantener el control de la herramienta en todo momento. No permita que la herramienta se desvíe hacia usted ni hacia otra persona alrededor. El no mantener el control de la herramienta podría ocasionar lesiones graves a las personas alrededor y al operador.

⚠ADVERTENCIA: Antes de deshierbar, retire palos y piedras del área de deshierbe.

NOTA: Esta herramienta está diseñada para eliminar malezas de menos de 15 cm (5-7/8").



⚠PRECAUCIÓN: Si es posible, evite utilizar la herramienta cuando haga demasiado calor. Durante la operación de la herramienta, vigile su condición física.

⚠PRECAUCIÓN: Tenga cuidado de no tocar accidentalmente una cerca de metal u otros objetos duros durante el deshierbe. La cuchilla para deshierbar podría romperse y provocar lesiones.

⚠PRECAUCIÓN: Trabajar con la herramienta en un lugar donde no alcance, particularmente desde una escalera, es extremadamente peligroso. No trabaje mientras esté parado sobre una superficie tambaleante o poco firme.

AVISO: No utilice la herramienta en ninguna forma que ocasione que el motor se detenga o rote extremadamente lento.

Sujete la herramienta con ambas manos sujetando el mango delantero y la empuñadura trasera de la unidad motorizada.

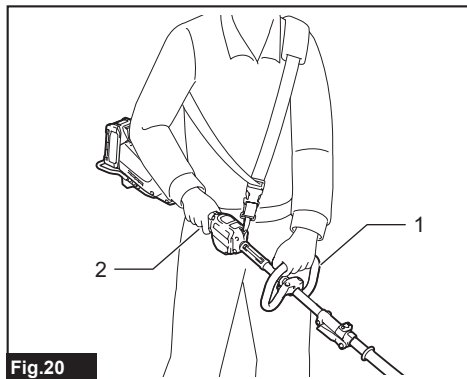


Fig.20

► 1. Mango delantero 2. Empuñadura trasera

Encienda la herramienta con la cuchilla para deshierbar levantada del suelo. Coloque la cuchilla para deshierbar en el suelo y tire de la herramienta hacia usted lentamente para desmalezar. Es más fácil trabajar cuando la cuchilla para deshierbar está en un ángulo casi perpendicular al suelo.

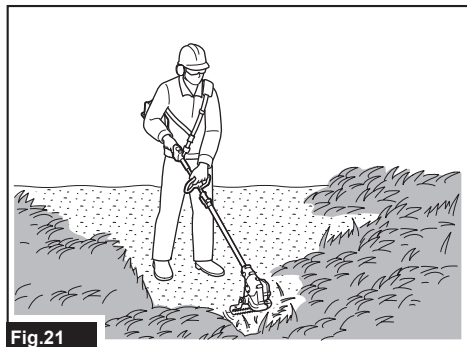


Fig.21

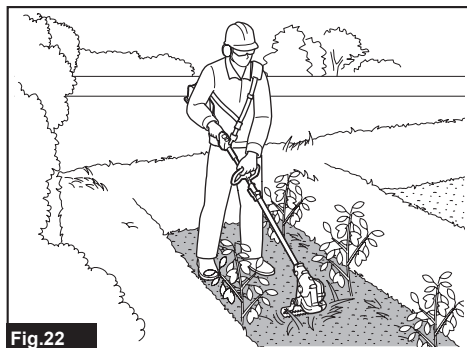


Fig.22

MANTENIMIENTO

⚠ADVERTENCIA: Antes de inspeccionar o dar mantenimiento al equipo, apague el motor y retire el cartucho de batería. De lo contrario, la máquina podría ponerse en marcha sin querer y provocar lesiones serias.

⚠ADVERTENCIA: Cuando inspeccione o dé mantenimiento al equipo, déjelo siempre en el suelo. El ensamble o ajuste del equipo en una posición vertical podría ocasionar lesiones graves.

⚠ADVERTENCIA: Siga las advertencias y precauciones contenidas en el capítulo “ADVERTENCIAS DE SEGURIDAD” y el manual de instrucciones de la unidad motorizada.

⚠PRECAUCIÓN: Use guantes al realizar la inspección o dar mantenimiento.

AVISO: Nunca use gasolina, bencina, diluyente (tiner), alcohol o sustancias similares. Puede que esto ocasione grietas o decoloramiento.

Para mantener la SEGURIDAD y FIABILIDAD del producto, las reparaciones, y cualquier otra tarea de mantenimiento o ajuste deberán ser realizadas en centros de servicio autorizados o de fábrica Makita, empleando siempre repuestos Makita.

Limpieza de la herramienta

Quite el polvo de la herramienta con un paño seco o humedezca un paño en agua y jabón y exprímalo para limpiarla.

Mantenimiento de la cuchilla

Después de la operación, retire la hierba o las raíces enredadas de la cuchilla.

AVISO: No lave la cuchilla con agua. Esto podría ocasionar oxidación o daños a la cuchilla o al accesorio.

Almacenamiento

Coloque la cubierta de la cuchilla en la cuchilla para deshierbar. Almacene la herramienta fuera del alcance de los niños. Almacene la herramienta en un lugar que no esté expuesto a la humedad o la lluvia. Cuando almacene el aditamento separado de la unidad motorizada, coloque la tapa en el extremo del tubo.

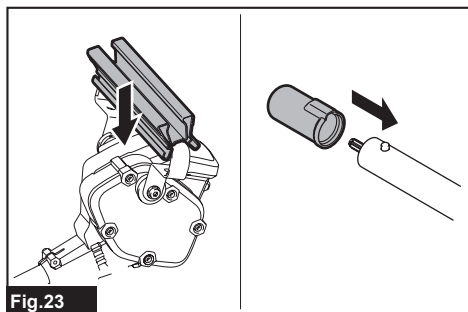


Fig.23

Lubricación de las piezas móviles

AVISO: Siga la instrucción sobre la frecuencia y cantidad de grasa suministrada. De lo contrario, una lubricación insuficiente podría dañar las piezas móviles.

Eje de transmisión:

Aplique grasa (grasa Makita N No.2 o equivalente) cada 25 horas de operación.

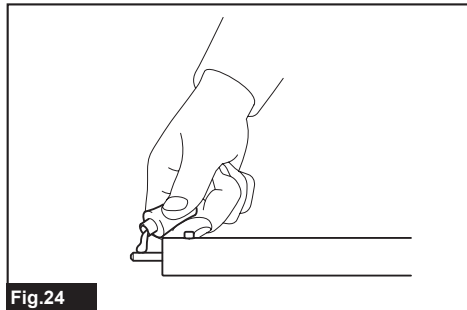


Fig.24

NOTA: Usted puede adquirir grasa original de Makita con el distribuidor Makita de su localidad.

Lubricación con grasa

Intervalo de lubricación: Cada 25 horas de operación

1. Retire el perno del orificio para su lubricación.

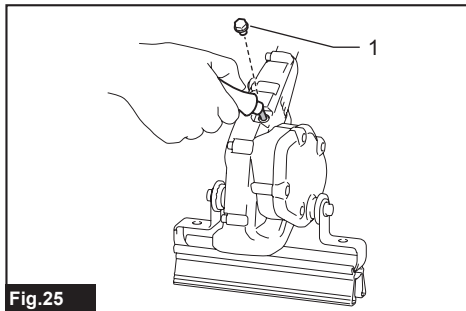


Fig.25

- ▶ 1. Perno
2. Aplique la grasa (grasa Makita SG No.0 o equivalente) a la herramienta (aproximadamente 3,0 g (0,1 oz) como guía).
3. Apriete el perno.

RESOLUCIÓN DE PROBLEMAS

Antes de solicitar alguna reparación, primero realice una inspección por su cuenta. Si detecta algún problema que no esté explicado en el manual, no intente desensamblar la herramienta. En vez de esto, solicite la reparación a un centro de servicio autorizado de Makita, usando siempre piezas de repuesto Makita.

Estado de la anomalía	Causa probable (avería)	Remedio
El motor no arranca.	-	Consulte el manual de instrucciones de la unidad motorizada.
El motor se detiene enseguida.	-	Consulte el manual de instrucciones de la unidad motorizada.
La velocidad del motor no se incrementa.	-	Consulte el manual de instrucciones de la unidad motorizada.
La cuchilla para deshierbar no se mueve: ⇒ ¡Detenga la máquina inmediatamente!	El sistema de accionamiento no funciona correctamente.	Solicite la reparación en el centro de servicio autorizado de su localidad.
Vibración anormal: ⇒ ¡Detenga la máquina inmediatamente!	La cuchilla para deshierbar está rota, doblada o desgastada.	Reemplace la cuchilla para deshierbar.
	El sistema de accionamiento no funciona correctamente.	Solicite la reparación en el centro de servicio autorizado de su localidad.
La cuchilla para deshierbar y el motor no se pueden detener: ⇒ ¡Extraiga la batería inmediatamente!	Avería eléctrica.	Extraiga la batería y solicite la reparación en el centro de servicio autorizado de su localidad.

ACCESORIOS OPCIONALES

⚠PRECAUCIÓN: Estos accesorios o aditamentos están recomendados para utilizarse con su máquina Makita especificado en este manual. El uso de cualquier otro accesorio o aditamento puede ocasionar riesgo de lesiones personales. Use los accesorios o aditamentos sólo para los propósitos para los que fueron diseñados.

Si necesita cualquier ayuda para más detalles en relación con estos accesorios, pregunte a su centro de servicio local Makita.

- Cuchilla para deshierbar
- Cuchilla para cultivador
- Batería y cargador originales de Makita

NOTA: Algunos de los artículos en la lista puede que vengan junto con el paquete del producto como accesorios incluidos. Puede que estos accesorios varíen de país a país.

Makita Corporation
3-11-8, Sumiyoshi-cho,
Anjo, Aichi 446-8502 Japan
www.makita.com

885A52-931
WA400MP-1
EN, FRCA, ESMX
20231225